

Agrodok 34

Hatching eggs by hens or in an incubator

Nivo van Wageningen
Johan Meinderts
Puck Bonnier
Henk Kasper

© Agromisa Foundation, Wageningen, 2004.

All rights reserved. No part of this book may be reproduced in any form, by print, photocopy, microfilm or any other means, without written permission from the publisher.

First edition: 1985

Fourth edition (revised): 1998

Fift edition: 2004

Authors: Nivo van Wageningen, Johan Meinderts, Puck Bonnier, Henk Kasper

Editor: Jeroen Boland

Illustrators: Mario Pereira, Jan de Koning, Kees van Veluw

Design: Janneke Reijnders

Translation: Robert Corner

Printed by: Digigrafi, Wageningen, the Netherlands

ISBN: 90-77073-96-5

NUGI: 835

Foreword

This Agrodok is a revised version of the 1995 edition.

We have received a lot of feedback at Agromisa from our readers. Since 1990 we have had dozens of letters from a variety of countries and these have helped us improve the structure and content of the text in a number of ways. We are particularly grateful to all those readers who have been constructive in their criticism and have taken the pains to write to us with their questions and experiences.

We would also like to thank Mr Kees-Peter de Ridder of IPC Barneveld Livestock College, for the advice and information he has given us, as well as for his demonstration of a number of different incubators. Finally we have also to thank Mr Arno Overgaag, co-ordinator of Agromisa's livestock advisory group, at whose initiative this revision was undertaken.

Jeroen Boland, editor

Wageningen, November 1998

Contents

1	Introduction	6
2	Natural incubation or a mechanical incubator?	9
2.1	The role of the hen in different production systems	9
2.2	The number of eggs to be hatched	10
2.3	Labour required	10
2.4	The cost of building an incubator	11
2.5	The cost of running an incubator	11
2.6	The different performances obtainable from hens and incubators	12
3	Preparing eggs for incubation	14
3.1	Selection of eggs for hatching	14
3.2	Cleaning the eggs	15
3.3	Storage	15
3.4	Guidelines for handling hatching eggs	15
4	Natural incubation: the hen	17
4.1	Selecting the hen	17
4.2	Preparing for hatching	17
4.3	The nest box	18
4.4	What to do during brooding	19
5	Incubator construction	20
5.1	The essentials for good incubation	20
5.2	Building the case	21
5.3	Heating with a kerosene lamp	25
5.4	Controlling the relative humidity	28
5.5	Two practical examples	29
6	Automatically controlling the temperature	32
6.1	The ether capsule	32
6.2	Building an ether thermostat	34

7	Using the incubator and other procedures	36
7.1	Setting up of the incubator	36
7.2	Adjusting the temperature during incubation	37
7.3	Adjusting the humidity	38
7.4	Ventilation in the incubator	39
7.5	Turning the eggs	39
7.6	Candling the eggs	40
7.7	Keeping records	41
8	Raising chicks by artificial mothering	43
8.1	The need for warmth	43
8.2	Description of a simple brooder	43
8.3	The growing chicks	45
8.4	Guidelines for giving the chicks a good start	46
9	The eggs of other types of fowl	47
9.1	Eggs of the Mandarin or Peking duck and the Barbary duck (<i>Cairine moschata</i>)	47
9.2	Turkey eggs	48
9.3	Quail eggs	49
9.4	Guinea hen eggs	49
10	Troubleshooting	50
	Further reading	53
	Useful addresses	55

1 Introduction

Agromisa receives regular requests for information on natural and artificial methods for hatching out eggs. Although the natural method using a broody hen presents little difficulty, since it is the mother bird that does most of the work, the artificial method with an incubator could also be worth considering in certain circumstances, as there are several advantages to it.

The choice depends largely on your preference in terms of production strategy, and how many eggs you are hoping or able to hatch at any one time. We look at these questions in Chapter 2. To what extent this Agrodok is of use to you depends on your aims and on the facilities available, since we only deal here with natural or artificial methods of hatching a maximum of 50 to 100 eggs at a time. Chapter 4 looks at the question of natural incubation, and will explain the advantages of this approach. The chapter is well worth reading even if you are already decided on the use of a mechanical incubator.

In this Agrodok we are looking at what we consider to be small-scale incubation, meaning the incubation of 50 eggs at a time. At this level there is still a choice possible between the use of natural or artificial incubation, and thus between an intensive or an extensive system, each of which can be profitable at this scale. Agromisa's work is not aimed at the intensive battery farmers dealing with hundreds or thousands of eggs at a time, and these producers will find little of interest in this booklet.

Agromisa discovered that although it was relatively easy to find information on how to manage hens to sit on eggs, there was far less information on small mechanical incubators. We therefore decided to design and produce two different models, one heated electrically and the other using kerosene (paraffin). Kerosene incubators, whether with or without thermostats, generally give good results. They can be made

out of local materials and do not require much improvisation to get them running.

Between 1990 and 1998 Agromisa received a lot of feedback on its early Agrodok on egg incubation. Your reactions have been taken into account in this new edition. In the earlier edition we described in detail two types of electrically heated incubator, one using an ether capsule thermostat, and one with a bimetal thermostat. Although the prototypes presented no problems, it seems that when used locally there was a serious fire risk. They were also vulnerable to cuts in the power supply and expensive to produce. In addition a certain amount of technical knowledge was needed for their construction. For these reasons we have decided not to spend time on these types of incubator in this new edition.

Although electric incubators work very well in general, there are disadvantages. They are difficult to build. They also require a good electricity supply with no danger of power failures, and one has to be sure of being able to meet the high cost of electricity. On the other hand it is a fact that the lamps used to heat the eggs are essentially providers of light, whilst the process of incubation really requires a source of heat rather than light. Finally, if the incubator is being bought, it is essential that a set of instructions be provided and that spare parts are obtainable for it in the future.

This Agrodok only covers the subject of incubation. It gives little information on other aspects of chick rearing, such as feeding and disease control. You should ask the local poultry farmers or agriculturalists in your area about the vaccinations required for infectious diseases, and also about local breeds that have proved their worth in local conditions (layers, broilers, dual-purpose birds). The bibliography in Appendix 1 also provides some useful information.

A simple way of obtaining chicks is to buy them in. This is often expensive, and you should make sure you obtain a good breed of bird capable of laying large clutches of eggs. These improved breeds gen-

erally require higher standards of feeding and management than the more resistant local breeds. If you can meet these standards - and only if this is the case - the extra cost of buying in quality chicks will be worth it. But you can also get very good results by artificially hatching the eggs in an incubator, instead of buying in the chicks.

2 Natural incubation or a mechanical incubator?

There are a number of factors to be taken into account when deciding whether to use a broody hen or a mechanical incubator, and these should be weighed up in the light of your own particular circumstances. In this chapter we will consider:

- the role of the hen in different production systems,
- the number of eggs to be hatched,
- the work involved,
- the costs of building an incubator,
- the cost of running an incubator,
- the different performance obtainable from hens and incubators.

2.1 The role of the hen in different production systems

Extensive systems

In these systems hens are kept in relatively free-range conditions, picking and choosing the insect and plant food that they find in their path. They find all the food that they need - in the wet season they forage amongst the local crops, and in the dry season they feed off various protein-rich foods they find in their vicinity. They go broody and sit when they have laid enough eggs. In fact they go broody when their laying period ends; they then sit on the eggs, hatch them, and raise their chicks. They teach the chicks how to survive and look for food. The only role of the poultry farmer here, apart from feeding the hens, is to prevent the hens being stolen and to protect them from predators. When the hen has finished raising her chicks she starts to put on weight again and can be sold for meat. A hen will generally live for about 5 years.

Intensive systems

Here the hens' energy is focussed on production, i.e. putting on weight and laying eggs. The farmer makes sure they are properly housed and fed, and protected from disease. Responsibility for hatching the eggs and raising the chicks is taken by the farmer, who is interested in making sure that the hens produce as much meat and eggs as possible. The hens may lay for a period of 8 - 10 months. Their housing must be clean and their diet must be well rounded and of good nutritional quality.

Once they stop laying, hens don't put on much meat, and go rather to fat. The quality of their meat deteriorates and they are often discarded before they come into lay again.

2.2 The number of eggs to be hatched

As hens only go broody and sit to hatch when they feel like it, they are not always at hand when they are needed and certainly not regularly throughout the year. If you only need chicks to replace ageing hens, then using broody hens will probably be sufficient. The advantage of an incubator, of course, is that you can use it whenever you need it. The incubator we describe in this booklet can hatch out 50 eggs at a time. Two or three batches of 50 eggs can be hatched in a relatively short time. If you need to handle larger numbers of eggs, it might be more economical to buy an incubator with a capacity of, for example, 100 eggs.

2.3 Labour required

When using broodies, if there are no problems with the hens, the time spent on looking after them is limited to feeding them. Using an incubator however can be more time-demanding: constructing the incubator, regulating the temperature (during operation), turning the eggs regularly and preferably three times a day up to day 19, regularly adding fuel to the burner and/or water to the reservoir. Proper care must be taken to ensure that the right temperature is maintained. All this

may add up to one or two hours of work per day and requires careful attention. Once the eggs are hatched in an incubator, the chicks will have to be reared and looked after. To be able to do this, you will also have to build an artificial brooder (see Chapter 5 for brooding chicks). A hen, on the other hand, will take care of her chicks herself and will protect them against the cold.

2.4 The cost of building an incubator

Most of the material to use should be available locally, such as timber, wire netting, sheet iron, water containers, insulation material (hay, cardboard, etc.), a kerosene lamp, nails, glass, a kerosene container and tools.

You will also need a thermometer, to be able to know the latest minimum and maximum temperatures. Some incubators require a constant temperature of 38°C. This means using a thermostat, which can either be bought or home-made. Chapter 5 explains how to make a thermostat and in Chapter 7 we explain how to use it. To be able to make one of these thermostats special tools and materials will be needed.

The third device needed to ensure conditions as close as possible to nature inside the incubator is a hygrometer. This is quite a simple instrument but it can be hard to find locally. It may have to be bought elsewhere. You can also make one yourself, but its construction cannot be dealt with in this Agrodok.

These special instruments can be obtained from the suppliers listed in Appendix 1.

2.5 The cost of running an incubator

Broody hens are much more economic than mechanical incubators as they only need to be given feed and water to hatch 12 eggs. The kerosene incubator described in Chapter 5 will use about half a litre of kerosene every 24 hours for 40 eggs. If 70% of the eggs hatch you

will get 28 chicks (male and female) in 21 days. You will need 21 x 0.5 litres of kerosene, therefore each chick can be said to cost about half a litre of kerosene. This is an approximation of course, and the actual amount of kerosene used will depend on the construction of the incubator, the time needed to heat the incubator before setting the eggs, how carefully you operate the incubator, etc.

Heating the incubator requires the use of kerosene, gas or electricity. We only consider the use of kerosene incubators in this book. Electricity is not considered for the reasons given in Chapter 1.

2.6 The different performances obtainable from hens and incubators

A hen sitting on eggs will provide exactly the right temperature, humidity and ventilation for the eggs to develop well. These standards cannot be met by the incubator described in Chapter 5. To optimise the hatching results of artificially incubated eggs, you will need some experience in the careful operation of the device.

Even then your results may be ruined by bad luck. If you run out of fuel you stand to lose 40 eggs. In comparison, if a broody hen abandons her nest, only 10 eggs will be lost.

Table 1 below gives an overview of the various factors to be taken into account in the choice of method.

Table 1: Different aspects of natural (hens) and artificial incubation, for extensive and intensive systems

Aspect	Extensive production (Up to 50 eggs at a time)	Intensive production (Over 100 eggs at a time)
1. Technique	Hens <ul style="list-style-type: none"> ➤ not always broody when required ➤ not always cooperative 	Incubator <ul style="list-style-type: none"> ➤ always available
2. Labour costs	<ul style="list-style-type: none"> ➤ extra feeding required ➤ a minimum of sanitation required ➤ water ➤ shelter ➤ protection 	<ul style="list-style-type: none"> ➤ heat source ➤ checking and regulating the temperature ➤ building the incubator ➤ turning the eggs artificially ➤ refuelling the lamp ➤ filling the water container
3. Construction costs	limited: <ul style="list-style-type: none"> ➤ nesting boxes 	<ul style="list-style-type: none"> ➤ local materials ➤ thermometer ➤ thermostat ➤ hygrometer
4. Running costs	limited: <ul style="list-style-type: none"> ➤ straw sawdust ... 	<ul style="list-style-type: none"> ➤ fuel: kerosene
5. Performance and results	<ul style="list-style-type: none"> ➤ natural hatching conditions guaranteed (temperature, relative humidity, ventilation) ➤ hatching qualities: local breeds: easy improved breeds: difficult 	<ul style="list-style-type: none"> ➤ almost optimal conditions ➤ improved breeds may permanently produce eggs over a long period.
6. Risks	<ul style="list-style-type: none"> ➤ few risks 	<ul style="list-style-type: none"> ➤ technical risks: loss of all or some of the eggs

3 Preparing eggs for incubation

There are three aspects to the preparation of the eggs for incubation:

- selection,
- cleaning,
- storage.

3.1 Selection of eggs for hatching

The eggs of different poultry breeds vary in weight from 30 to 70 grams. Best hatching results are obtained by using normally sized eggs from good quality layers (hens that lay well). By taking care to use eggs from good stock, good quality chicks will be obtained, as the qualities of the hen are passed on through her eggs.

To hatch out a chick an egg must of course have been fertilised. There is no proven method of determining whether a fresh egg has been fertilised or not. It is therefore important to keep a good fertile cockerel with the hens. One cock can serve several hens, with best results being achieved with 10 hens per cock. After service by a fertile cock a hen will produce fertilised eggs for a period of at least eight days. If you are using a heavy breed, you may need to keep fewer hens per cock.

If you do not run a cockerel with your hens, you should arrange to get hold of one for a short period. Two weeks before starting to collect eggs for hatching, put the cock in amongst them to ensure that the eggs are fertilised. You should also pay attention to each hen's laying period. She lays her best eggs between the second and eighth month of her laying period. If you are watchful and follow the advice that has been given above, your hatching results will improve.

Never use odd-shaped eggs for incubation (too long, too short, misshapen), as their contents will also be abnormal.

The egg shell is also an important factor. There should be no cracks, as moisture will be lost during incubation. Dried-out eggs will produce either weak or dead chicks. Avoid using eggs whose shell is contaminated with pieces of eggshell and feed. These will block the pores in the shell and block the chick's access to fresh air.

Try to use eggs from several different hens in order to reduce the risks of failure.

3.2 Cleaning the eggs

Eggshell is porous - air and water can pass through it. Dirt and disease-bearing organisms can also slip through the eggshell. Reduce the risk of disease by using clean eggs. Never use very dirty eggs for hatching, and if they are soiled clean them with a dry cloth. Do not wash eggs in water. Water will open up the pores and give poorer hatching results.

3.3 Storage

If possible, use fresh eggs for hatching. Eggs to be stored should be kept in a cool place. At 20°C it is possible to store eggs for three days.

Eggs for hatching should be collected twice a day and cooled off as quickly as possible. This is especially important when the weather is warm. The optimal level of relative humidity for storing hatching eggs is 70 - 85%. If you find mould on your eggs, the humidity is too high. Never use mouldy eggs for hatching!

All poultry eggs should be stored with the air space inside the eggs (the "air pocket") uppermost.

3.4 Guidelines for handling hatching eggs

- Collect hatching eggs from the laying sites twice a day.

- Select the best eggs. Take into account the size of the eggs, their shape, the cleanliness and condition of the shell, and the breed of hen you wish to obtain.
- Only use fresh eggs. If you want to hatch a lot of eggs together, you can use eggs of up to 14 days old, provided they have been stored at 10 - 16°C.
- Clean dirty eggs with a dry cloth.
- Always place the eggs with the air pocket at the top.
- Any eggs stored at 10 - 16°C should be kept at 21 - 25°C for 12 hours before being transferred to the incubator.

4 Natural incubation: the hen

This chapter describes natural incubation (brooding and hatching) and how it can be improved. Anyone with some experience of poultry-keeping should find this chapter reasonably straightforward.

4.1 Selecting the hen

Look out for a hen that is clearly “going broody”. She will display typical behaviour:

- She produces a typical broody hen sound.
- Her comb shrivels up.
- She occupies her nest, refusing to leave it.
- She may try to gather other eggs from neighbouring nests, pushing them into her own.

If this behaviour lasts for two days you can assume that the hen is ready for brooding. Broody hens should be healthy and not too small. The following paragraphs give some suggestions for improving hatching conditions.

4.2 Preparing for hatching

Dust the broody hen with an insecticide against fleas and lice. Be careful when using these products, as they can be harmful to poultry and people if used in the wrong quantities! Consult the local veterinarian.

If lice and fleas remain a problem, dusting should be repeated after 10 days. You can find more detailed information on disease prevention in Agrodok 4 ‘Small-scale poultry production in the tropics’.

Put the hen in a clean nest box after dusting (see next paragraph). At first, until she has 6 to 12 eggs, she will only sit irregularly. Once she starts sitting regularly, remove all the eggs and replace them with good eggs that you have selected for hatching.

Mark the eggs with a pencil. The eggs that have been removed can be used for animal feed. They can also be boiled and mixed with the hen's normal feed. The size of the hen and the temperature during the night will determine the number of eggs to put under her. Large hens with good plumage can cover and keep warm as many as 14 eggs, but smaller local hens may be able to cover no more than eight eggs properly.

A duck can often be used as an alternative to a hen. However their broody period is more difficult to detect than in hens and once they start to sit they are even more difficult to dislodge from the nest than a hen.

4.3 The nest box

The nest box should be about 35 x 35 cm square and 40 cm high (1 inch = 2.5 cm). The nest itself is about 25 cm wide.

Sitting can be encouraged by keeping the box dark, covering it with a piece of cloth. However the hen must be able to come and go from the nest to feed.

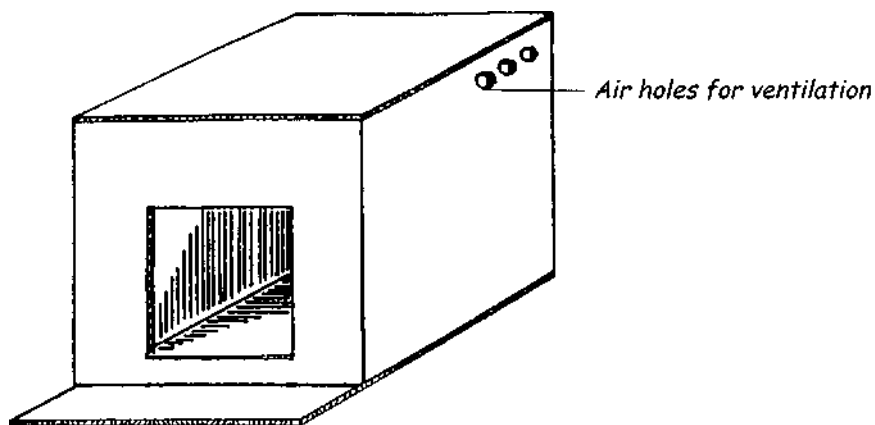


Figure 1: Nest box for broody hen.

Before using a nest box, clean it thoroughly and dry it in the sun. Put some straw, hay or dry leaves in the box, in the shape of a nest or saucer, to prevent the eggs from rolling out. If you can get them, a handful of dry crushed tobacco leaves will help to keep the nest free of parasites (nicotine is an insecticide!). The boxes should be set slightly apart (about 1 metre) to avoid the hens quarrelling. Put the boxes in a safe place, out of reach of dogs, rats and snakes.

4.4 What to do during brooding

A broody hen will leave her nest once a day to drink, eat and defecate. Feed should be placed near the nest box. No special feed is required. If the hen refuses to leave her nest, she can be lifted gently and put in front of the feed. She should not leave the nest for more than about 15 minutes. She will often stand up and shift or turn the eggs. This is because the eggs need to be moved about, as the best and warmest place is in the middle under the hen. The eggs should be examined on the ninth day (see Chapter 7). If the chicks have difficulty hatching out, the humidity is probably too low. To help them hatch, put some soil and grass under the wire floor of the nest box and keep it moist.

5 Incubator construction

5.1 The essentials for good incubation

the micro-climate inside the incubator

Mechanical incubators imitate a hen's natural brooding abilities by providing an artificial micro-climate with the proper temperature, humidity, and ventilation, as well as by allowing the eggs to be turned regularly.

Temperature

An incubator must reproduce temperature conditions comparable to those provided by a hen warming her eggs with her body heat. If seasonal temperatures fall below 35°C an incubator equipped with some form of heating will have to be used. More information on temperatures is given further on in this chapter.

To regulate the temperature a 0 - 50°C thermometer and good insulation are indispensable. The heat in the incubator is either controlled manually or with the help of a thermostat. Do not try to incubate eggs in seasons where normal temperatures stay above 40°C - this sort of heat kills the embryos. Incubation is impossible in such conditions, except with air-conditioning, and that brings in other complications for the temperature and humidity levels.

Relative humidity levels

Relative humidity varies widely with temperature. Incorrect levels will result in the eggs drying out or being poisoned by the gases produced inside the shell. Proper humidity levels can be obtained by putting some water in small containers inside the incubator. A wet-bulb thermometer (see below) or a hygrometer is used to measure relative humidity.

Ventilation

The chick being formed in the egg needs to take in oxygen and give out carbon dioxide. Good ventilation is therefore important, especially as other poisonous gases are also formed and will have to be dispersed by ventilating the incubator.

Regularly turning the eggs

This is treated in detail in Chapter 7.

It is now time to turn our attention to the practical question of constructing an incubator.

5.2 Building the case

The case that we suggest you build is the one used in the kerosene incubator designed and tested by Agromisa.

Dimensions

The incubator described in this book can take up to 50 eggs. It is 55 cm wide and 45 cm long (internal dimensions). An incubator measuring 35 x 35 cm can hold a maximum of 35 eggs. An incubator measuring 60 x 50 cm can hold a maximum of 70 eggs. See figure 2.

Materials

Good hardwood is preferable. Softer wood will soon warp in humid conditions. The incubator case can have single or double walls, depending on the insulation material to be used (see Insulation). Small wooden laths are used to strengthen the corners. Ideally the door should have a double-glazed window (two layers of glass), but a single thickness of glass will also do. It should be no bigger than is necessary for inspecting the eggs.

The egg tray and the turning device

The egg tray consists of a piece of wire netting, fixed if possible at a slight angle with about a centimetre of slope. This allows the eggs to be placed at the best angle with the pointed end downwards and the air

pocket uppermost. The eggs should be turned regularly (see Chapter 7). This can be done manually, but a simple device exists that can be used to do the job quickly and easily.

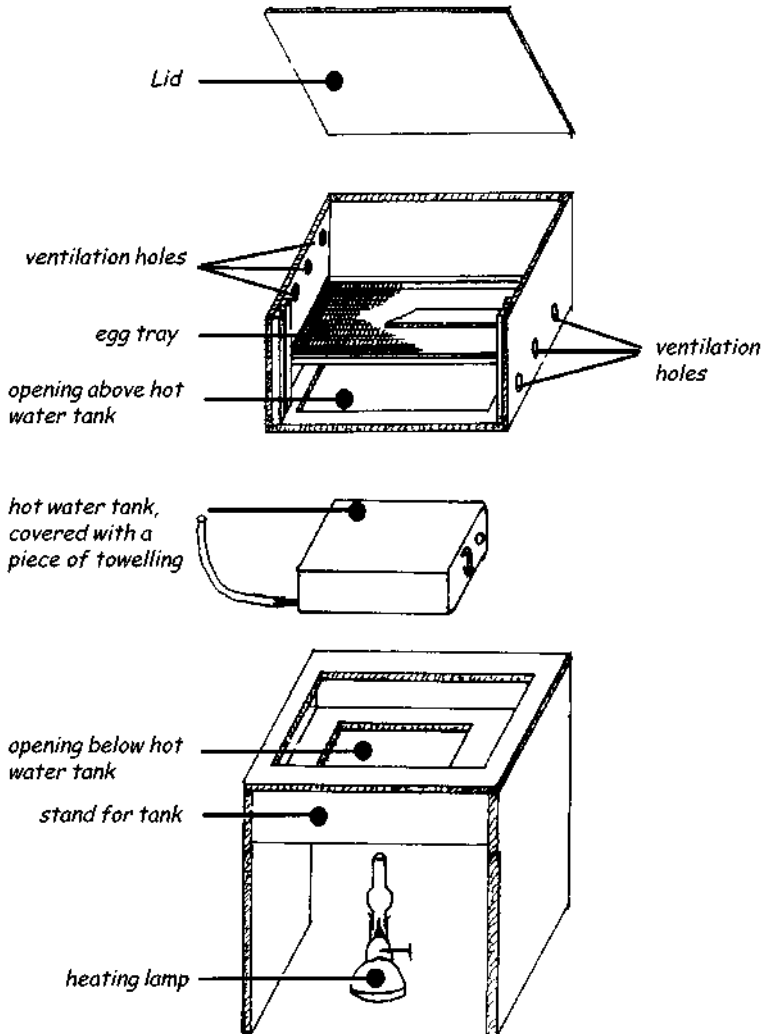


Figure 2: Incubator with kerosene lamp heating.

A tray equipped with a turning device needs two different kinds of wire: one with very small holes (wire gauze for example) and another with holes big enough to let the eggs fall through a bit (quite large-meshed wire for example). The wire gauze should be fixed in position inside the incubator, at a slope, below the chicken wire. The chicken wire above is not fixed, and should be framed rigidly so that it can be slid in and out.

The sliding chicken wire frame allows the eggs to be turned all at once, without having to open the door. A handle extending outside the incubator allows the frame to be pushed or pulled (for 5 cm), so that the eggs roll over onto their opposite side (see figure 3). If no turning device is fitted you will have to turn each egg by hand.

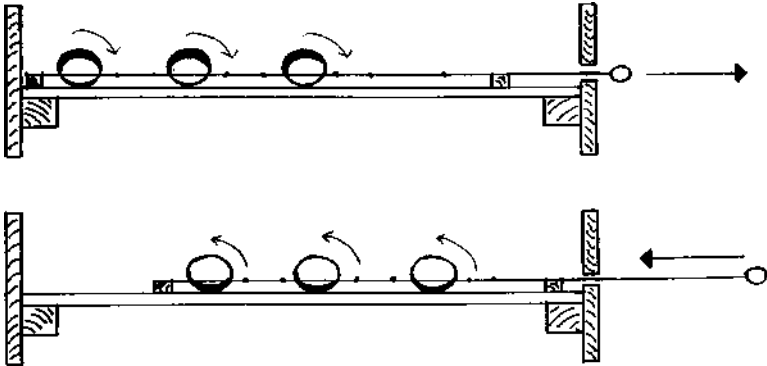


Figure 3: Egg-turning device.

Ventilation

Ventilation is provided automatically through holes pierced in the sides of the incubator. Six ventilation holes about one cm wide should be drilled in the walls of the incubator: three holes below the level of the eggs on one side of the incubator and three holes above this level on the other side (see figure 2). In double-walled units, small tubes should be placed in the holes across the double wall, to prevent air circulating in the insulation material.

Insulation

Insulation is very important to keep the temperature constant. Insulation material that holds a lot of air is best. You could for example use polystyrene or cardboard to line the inside of a single-wall incubator, or for a double-walled system you can stuff hay, coconut fibre or cotton between the two walls.

As air is trapped in such material, there is almost no movement of heat from the inside to the outside of the walls. Besides helping to provide a constant temperature, proper insulation also saves fuel. It should help to keep the temperature near the walls the same as in the middle of the incubator.

It is sometimes easy to find boxes made of expanded polystyrene; these provide excellent insulation. Old ice boxes for example, if they are large enough, could be used to make an incubator, as they are very well insulated. Being light they are also easy to transport. However they are very inflammable and their use with a heating lamp is dangerous. There is also the problem that the incubator dimensions are determined by the size of the polystyrene box available. As this sort of incubator would have to be built in a completely different way from the one described in this Agrodok, we will not go into any more detail here.

Hot water tank and water containers

A special place has to be provided at the bottom of the incubator housing for the water tank (see figure 4). There must also be a space for small containers of water on the egg trays. The total height of the incubator will therefore be 40 cm.

The door

A vertically sliding door is particularly useful, as it can be either half opened (to refill the water containers) or completely (to check the eggs) without allowing too much warm air to escape. A normal hinged door would let too much heat out and the temperature would drop too fast. The door should have a window in it, so that the temperature and

humidity can be checked without having to open it. A double-glazed window would be ideal for insulation.

5.3 Heating with a kerosene lamp

To warm the incubator a kerosene lamp is lit underneath a 10 litre tank of water fitted into the case of the incubator. The distance between the lamp and the tank will have to be determined by trial and error. The hot water in the tank radiates heat into the air of the incubator and warms the eggs (see figure 4).

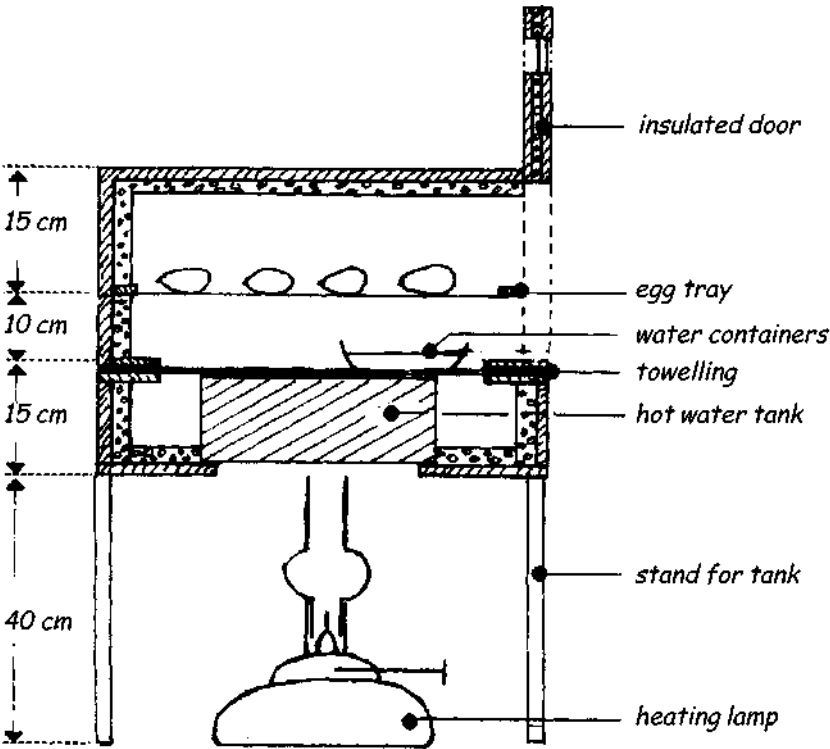


Figure 4: Side view of a hot water incubator (with vertical dimensions).

The sides and the top of the tank must be right inside the incubator. A piece of towelling (or other thick cloth) should be draped across the top of the tank to diffuse the heat across the bottom of the egg tray.

With this sort of incubator there is little risk of the temperature dropping suddenly. If the kerosene lamp goes out the temperature in the water tank only falls gradually. Thanks to the fact that the water takes a long time to cool down, the temperature in the incubator is relatively stable. The towelling acts as a buffer. Figure 4 shows a side view of the same incubator as in figure 2.

If outside temperatures remain fairly stable this sort of incubator requires no thermostat. It can be made by anyone with a little know-how and the necessary tools. If you don't have a container suitable for the water tank you will have to make one yourself. Make sure it is welded water-tight.

The lamp heating the water in the tank will produce gas. Make sure that the gas does not enter the incubator. Use fire-proof material like clay to stop up all the chinks between the tank and its stand.

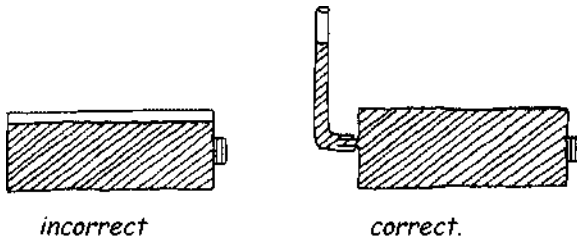


Figure 5: Filling the tank.

The temperature in the incubator can be regulated by adjusting the flame of the lamp and by checking the thermometer every two or three hours. The hot water in the tank acts as a heat store, so that it may be possible to turn the lamp out for a while once the water is hot enough. After a bit of trial and error you will be able to keep the incubator at a constant temperature by heating it at regular intervals.

As figure 5 shows, once the tank has been filled with water there should be no air in it at all. Any air inside will have an insulating effect, preventing the heat from rising from the water into the incubator.

When you heat the tank full of water, the water will expand and take up more room. To stop pressure increasing in the container, solder a small nozzle into a hole in the side of the tank and attach a transparent tube about 40 cm long to the nozzle. Fix the tube so that it rises vertically up the side of the incubator, so that you can see the water level rising in the tube as the tank heats up. Make sure that there is always enough water in the tube to prevent air entering the tank. Top up the tube with water whenever the level drops too low.

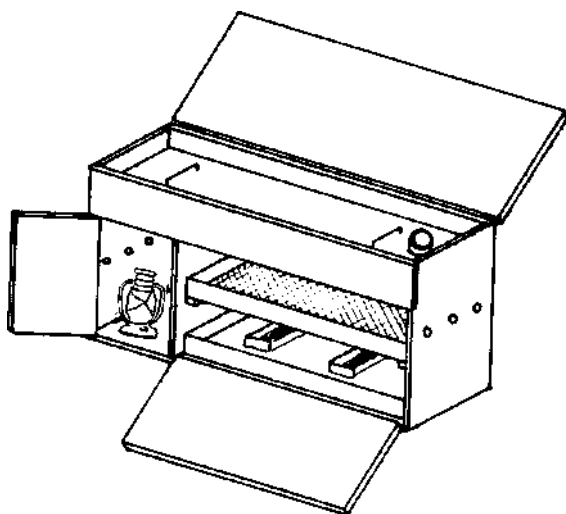


Figure 6: Kerosene incubator with internal heat source.

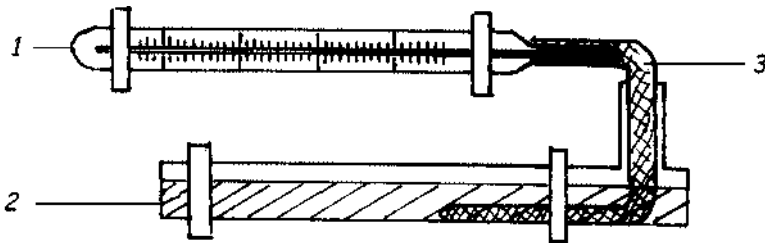
Figure 6 shows a slightly different model of kerosene incubator. In this case the source of heat (which could be a kerosene lamp) is right inside the incubator. In addition, the hot water tank is at the top of the incubator. This incubator model is described in the French-language periodical ‘Communautés Africaines’, together with building instructions. See the bibliography for details.

5.4 Controlling the relative humidity

Air humidity or relative humidity is less critical for hatching results than heat.

In order to achieve the best results and to prevent the eggs from drying out, try to keep the humidity in the incubator within a certain range. This is because an egg loses a lot of moisture through the pores of the shell. At a certain point eggs which have dried out are easy to recognise (see Chapter 7). When the chicks start to hatch it is important to keep the correct humidity level. If the air is too dry, the chicks will dry out very fast and die. If it is too moist, the exchange of gas through the eggshell will be affected. The developing embryos may then be poisoned by the carbon dioxide gas they produce. Poisoning symptoms are described in Chapter 10.

The humidity in the incubator is measured using a special thermometer called a wet-bulb thermometer (see figure 7).



- 1: ordinary thermometer
- 2: cotton wick,
- 3: small water container.

Figure 7: Wet-bulb thermometer.

A wet-bulb thermometer is an ordinary thermometer whose mercury bulb is wrapped in cotton. The cotton is kept moist and acts as a wick. The wet-bulb thermometer reads a lower temperature than the normal (dry-bulb) thermometer. The difference in the temperature readings given by the dry-bulb and the wet-bulb thermometers is a direct meas-

ure of the relative humidity. If the air in the incubator is dry, water evaporates faster from around the wet bulb and causes the thermometer to indicate a lower temperature. Table 2 below shows how humidity levels are related to temperature.

Table 2: Examples of relative humidity seen in relation to temperatures indicated by wet- and dry-bulb thermometers

Incubation day	Wet-bulb Temperature (°C)*	Dry-bulb Temperature (°C)	Relative humidity (%)	Maximum weight loss** (%)
0-18	31	38,9	60	} 12-14
19-20	27	36,1	50	
21	33	36,1	70	

*To convert Centigrade to Fahrenheit: °F = (1.8 * °C) +32

**During incubation, from day 1 to day 21

There is another way of checking on the relative humidity conditions after incubation, and this is by weight. Throughout their time in the incubator the eggs will lose weight and get lighter. This is partly because the water inside them evaporates, and partly because the chick inside gives off carbon dioxide. In general terms we can say that during the period of about 21 days of incubation the eggs will lose about 12 to 14% of their weight at the start of incubation. By weighing the eggs on the first day and then every five days afterwards we can tell if the relative humidity up to now has been good (12-14% weight loss), too high (under 11% weight loss) or too low (over 15%). Too low a humidity is worse for the eggs and chicks than excessive humidity.

This is a good method if you are inexperienced, as it will help you to adjust the conditions inside the incubator for future operations, so that you are gradually able to get them as close as possible to natural conditions (under the hen).

5.5 Two practical examples

Here are two practical examples of incubator construction, one from Kenya, and the other from Cameroon.

Mwatate, Kenya

This first example concerns a simple incubator heated with a kerosene lamp and using only one way of controlling the internal conditions - a thermometer. It is a small incubator capable of holding 50 eggs and was built by the manager of a rural livestock centre in Mwatate, Kenya.

Only the cheapest local materials were used to build the incubator. Three air holes were pierced in two sides of the incubator. The hot water tank, full of water was positioned above the lamp. A plastic plate held water for the humidity levels.

- Wood: 200 cm x 5 cm x 5 cm for the framework
100 cm x 2.5 cm x 30 cm for the stand for the water tank
- Insulation panels: 2 m² for all the sides of the incubator case
- Hardboard: 1 m² for the sides of the incubator case
- Lamp: Kerosene lamp with a half litre capacity
- Thermometer: Veterinary thermometer + observation window in the incubator
- Hot water tank: An empty 4 litre cooking oil tin, to which a tube (1.2 cm diameter, 1 metre long) was soldered. The tube is transparent at the end so that water level can be checked.
- Hose pipe: 2 m
- Egg tray: Wire mesh covered with a cotton cloth
- Water container: Plastic plate
- One torch: To candle the eggs

Twenty eggs were incubated. They were turned 3 times per day up to the 18th day. A torch was used to candle the eggs (see Chapter 7). A thermometer was placed next to the eggs on the tray so that the temperature could be checked.

The results were as follows: of the 20 eggs in the incubator, 11 hatched out, 6 embryos were still-born, 2 eggs were infertile and one

was broken. Although these are not outstanding results, they are sufficiently encouraging to justify further attempts. The hatching rate will almost certainly improve when a good routine is established for using the incubator.

Yaoundé, Cameroon

An experienced farmer from Yaoundé in Cameroon has written to us with his experience of incubation. He made an incubator inside a television set equipped with a thermostat (bought in). The inside measurements are 57 x 50 x 60 (height) cm. The incubator is insulated with paper and cardboard. There are no air holes. The door on the front is insulated but there is no window. The eggs were turned four times a day by hand.

The incubator can take 70 eggs, but only 50 were used in the test. The heat source was not explained in the description.

The temperature varied from 34 to 37°C. It once rose by accident to 40°C, and on another occasion even to 41°C. There was a difference of 6°C between the wet-bulb and the dry-bulb thermometer readings. 40 eggs hatched out on the 21st and 22nd day. This is quite a good performance, given that the temperature was not ideal. Of the 10 eggs that did not hatch out, 2 contained dead embryos, 2 were cracked and 2 were infected.

6 Automatically controlling the temperature

As explained in Chapter 5, the temperature in a kerosene lamp incubator can be controlled manually. However the temperature can also be controlled automatically using a thermostat consisting of a capsule filled with ether.

6.1 The ether capsule

Figure 8 shows the principle involved. The ether capsule compresses when it is cold, i.e. at low temperatures, and expands when hot. Any change in temperature brings about a transformation. The change involves a process of expansion: the liquid ether, which takes up little space, changes into gas which takes up a lot of space. Ether actually changes into gas and expands at 35°C , which happens to be very close to the temperature we are looking for in incubation, i.e. 38°C . Thus the fact that the ether capsule is very sensitive to the slightest changes in temperature suits our purposes very well.

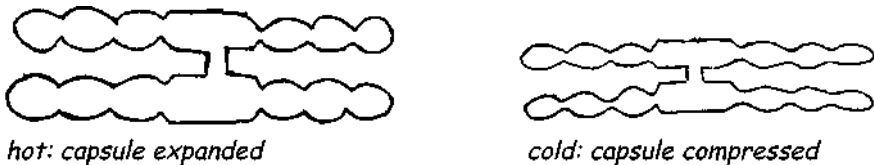
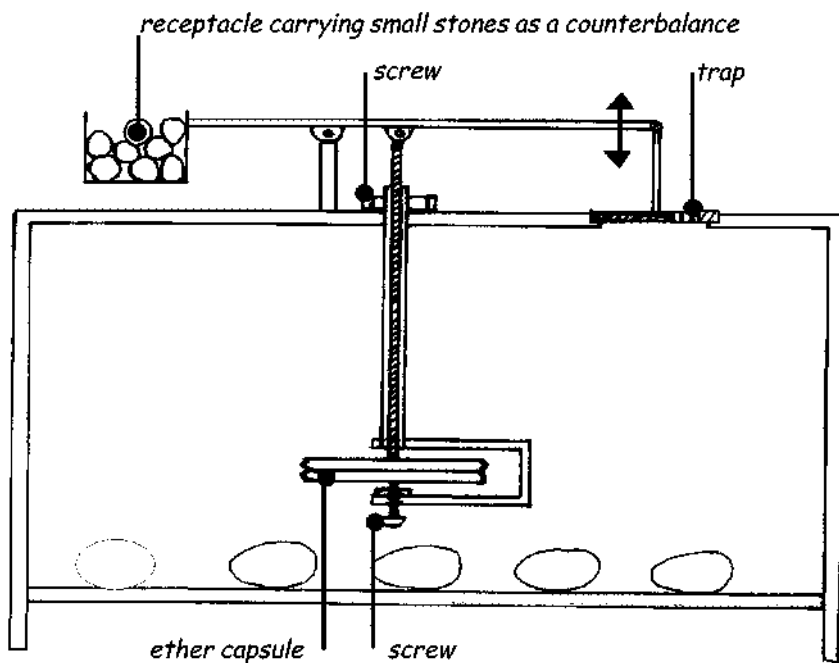


Figure 8: Ether capsule.

Figure 9 shows how the whole device works. The thermostat consists of a double capsule filled with ether which expands when the temperature rises. The capsule hangs inside the incubator. It sits in a special support (see figure 9), and is held between an adjustable screw (upon which it is seated) and a rod attached to the upper capsule disk. This rod can slide up and down a small tube linking the capsule holder to the incubator lid.

As the temperature rises, the capsule expands, pushing the vertical rod towards the lid. The rod touches a balancing arm which tilts and lifts a small door or trap in the lid of the incubator. Hot air then escapes from inside. When the temperature drops, the capsule contracts and the trap closes again. Any hot air inside the incubator is then trapped inside. The trap and the capsule can be adjusted with screws.

The final adjustment is a matter of trial and error. The first thing to do before adjusting the capsule, the rod and the balancing arm is to warm up the incubator to incubating temperature.



Cold: the trap closes, warm air is trapped inside the incubator

Hot: the trap opens, warm air escapes.

Figure 9: Ether capsule in a kerosene incubator

6.2 Building an ether thermostat

Ether thermostats and even ether capsules can be ordered from companies specialising in incubators and incubator parts. There is a list of possible suppliers of incubators and spare parts in Appendix 2.

You can also make a capsule yourself, although it is not a simple matter. A description is given in figure 10. Follow the order given in the instructions.

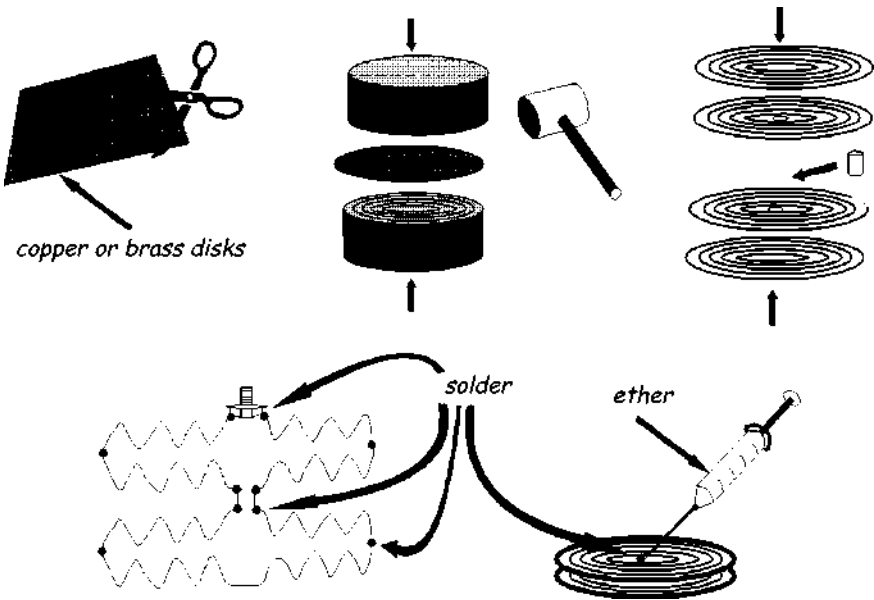


Figure 10: How to make a double ether capsule.

- 1 Take four copper or brass disks about 0.5 - 0.8 mm thick and 10 to 12 cm in diameter.
- 2 Press them firmly in a wooden mould to obtain a pattern of concentric grooves. (Instead of using a mould you can use tubes of different diameter to stamp the grooves into the disks.) Make sure that

you can see the pattern of concentric grooves in the disks and that the disks are slightly concave.

Instead of the disks you can also use two grooved food tin lids. Work them until they are concave.

- 3 To make the double capsule the two inner disks have to be joined at their centres, by soldering them together with tin. This can be done by making a hole in the centre of each and either
 - filling each hole with tin - after having assembled the two capsules (see next step), or
 - soldering a small tube between the two inner disks - before assembling the capsules.
- 4 The inner disks have to be soldered, at their edges, to the outer disks. Once this is done you will have created the double capsule. The space inside the capsules is a few cm³ at the most.
- 5 Using a syringe inject a small amount of ether into each capsule. Ether is a very volatile liquid; the small holes will have to be soldered immediately, so that none of the ether escapes. Be very careful - the liquid is inflammable, and the capsule may catch fire.

There is no exact rule for the quantity of ether to use. The thermostat will have to be adjusted later. If too little ether is used the capsule will not expand sufficiently. If too much is used, you just have to adjust the thermostat with the adjusting screw. It is therefore better to use too much rather than too little ether.

- 6 The double capsule is now fixed. The upper part is soldered to the vertical rod and the lower disk to the adjustable screw.

7 Using the incubator and other procedures

In this chapter we look at how to set up and run the incubator, including how to adjust the temperature, humidity and ventilation. We also look at the turning and candling of the eggs and the records to be kept.

7.1 Setting up of the incubator

Use the incubator in a room with good insulation, where temperatures will change as little as possible day and night. Good ventilation should be provided, but there should be no draughts. If you make sure of this, you will find your incubator functions better and the fuel bill will decrease.

The incubator could also be placed inside a large box to provide additional insulation, as long as there is adequate ventilation. Before using the incubator for the first time, operate it for at least one week without eggs.

Set up a thermometer on the egg tray with its bulb at a level with the top half of the eggs. If you have several thermometers check to see that the heat spreads evenly across the tray. Open up 2 to 4 air holes and wait for the temperature to stabilise.

You will have to make a few adjustments before the incubator settles at the right temperature. Turn the lamp wick up or down to adjust the heat until you have a constant temperature of 38.9 °C. Don't forget that as the kerosene level goes down, the flame will also weaken. Fill up the lamp regularly.

Regulation can be said to be complete when the temperature in the incubator has remained stable for at least 24 hours without having had to adjust the thermostat. If it is difficult to regulate you will have to consider insulating the incubator better.

Completely fill the water tank with hot water (i.e. at about 40 C). The heat will spread better if there is no air in the tank (see figure 5). Put a container of hot water in the incubator and check the humidity level (see below). When everything is set up properly the eggs can be put on the tray.

7.2 Adjusting the temperature during incubation

The most crucial factor during incubation (especially during the first week) is the temperature. The optimal temperature in the first two weeks is 38.9°C with no more than half a degree of variation up or down. Any rise above 40.5°C is fatal for the embryos.

A rise in temperature at the same time as a drop in humidity can have disastrous results. Drops in temperature will delay hatching but are less harmful than increases in temperature.

From day 19 onward the temperature should be reduced to 36.1 °C because the chicks will be producing their own heat.

If new-born chicks with open beaks can be made out, they are trying to lose heat by breathing more. This might indicate too high a temperature in the incubator. Check the thermometer. In a kerosene incubator the hot air comes from below, and the highest temperatures are of course at the point of the heat source. The most important temperature to measure is the temperature at the level of the eggs. The

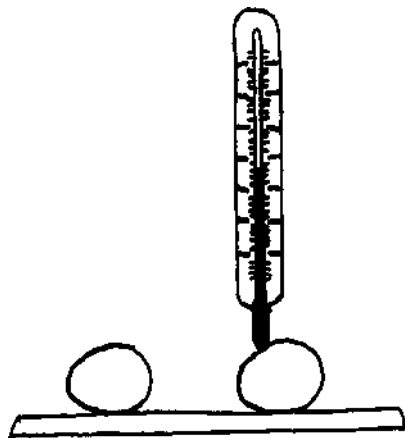


Figure 11: Checking the temperature of the eggs.

bulb of the thermometer should be positioned exactly 5 cm above the bottom of the egg tray. See figure 11.

7.3 Adjusting the humidity

Optimum humidity levels are given in table 2 in Paragraph 5.4. The wet-bulb thermometer will not give correct readings if the cotton around the bulb is dirty. Clean this cotton wick regularly with soap. If you have difficulties in reading the humidity, check the eggs by ‘candling’ as described further on in this section. The correct amount of air space inside the eggs (the air pocket) is shown in figure 12. The humidity is adjusted by putting containers of warm water inside the incubator. To prevent the temperature from dropping, use water at body temperature rather than cold water. The larger the surface of

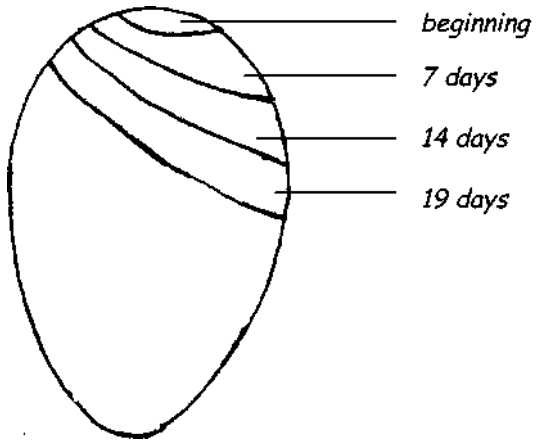


Figure 12: The proper size of the air pocket at different stages of incubation.

water, the more the water will evaporate and the higher the wet-bulb readings (and therefore the humidity) will be. The wet-bulb temperature readings will fall rapidly when you remove a water container. If you need to raise the humidity level or if you don't have enough containers, put a wet sponge or cloth in the incubator. It is also possible to use a sprayer filled with warm water. Clean the sprayer thoroughly and spray into the incubator through the ventilation holes.

Humidity levels will be influenced by the amount of ventilation and by the humidity of the incoming air.

The humidity can also be measured by a *clock- or hair-hygrometer*. Hygrometers are expensive to buy.

7.4 Ventilation in the incubator

Good ventilation is important because embryos need oxygen and produce carbon dioxide. The growing chicks may suffocate or choke through insufficient ventilation. The incubator in this Agrodok is provided with air holes for ventilation. The diameter of the holes is about 1 cm. The holes can be opened and closed with plugs. It is difficult to specify how many holes you have to open - it depends on how often you open the door to turn the eggs. Every time you open the door fresh air will enter. Therefore, when you stop turning the eggs after 19 days you may need to open extra holes. At least two holes will have to be permanently open in any case. If you use the automatic turning device described in Chapter 5.2, you will have to have more holes open.

7.5 Turning the eggs

If you do not turn the eggs, hatching results will be very poor. There is a clear relationship between the number of times the eggs are turned and the amount of eggs that hatch. Make sure that the eggs are turned 3 times a day for the first 19 days; after that turning is no longer necessary. It is most important that you turn the eggs with regular time intervals, than that you turn them more often than three times/day. In between turning times, do not move the eggs at all.

Turning the eggs is very easy with an automatic turner. You can also turn the eggs by hand. It should be done gently but you should not lose time. To prevent the incubator from cooling down, leave the door of the incubator closed as much as possible when you turn the eggs. The best way is to take the entire egg tray out, turn the eggs 180° and put the egg tray in the other way around. Keep the door closed while turning the eggs. If you suspect that the heat is not reaching all the eggs equally, exchange the eggs at the centre with the eggs on the edges of the tray. Mark one side of each egg with a cross or a number

in pencil. Whenever the egg is turned the mark should change place. See figure 13.

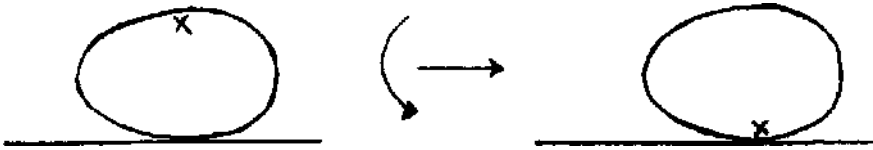


Figure 13: Turning the eggs.

Be sure that your hands are clean. Any contact with the kerosene lamp may leave oily traces on your hands. Oil on an egg's shell will seal it and air will not be able to pass through the shell.

7.6 Candling the eggs

Infertile eggs and dead embryos can be detected by 'candling'. Candling is of great help during the incubation period, as it can help to determine if the chick is developing according to expectations.

If the chick is not developing well, remove the egg, as it may produce unwanted gas later on. Try to find out why the egg did not develop properly. The troubleshooting list in Chapter 10 of this booklet may give some suggestions.

Candling is best started on the 9th day of incubation. You can start a few days earlier once you have some experience. Figure 14 and figure 15 show what you can expect to see when candling an egg. Remove any infertile egg or eggs containing dead chicks from the incubator.

A second candling should be done after 14 to 18 days of incubation. Once again remove all the dead embryos and check the humidity levels.

Do not candle eggs after the 18th day so as not to disturb the growing chicks. As breaking out of the eggs is very tiring for the chicks they need quiet and should not be handled during the last days.

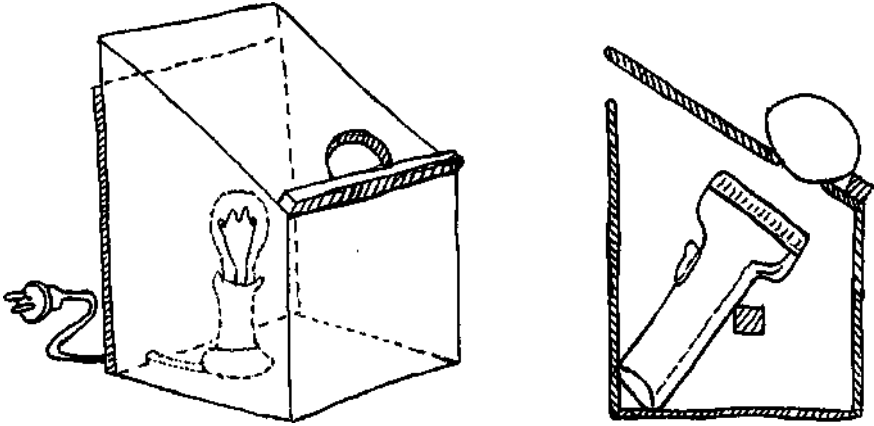
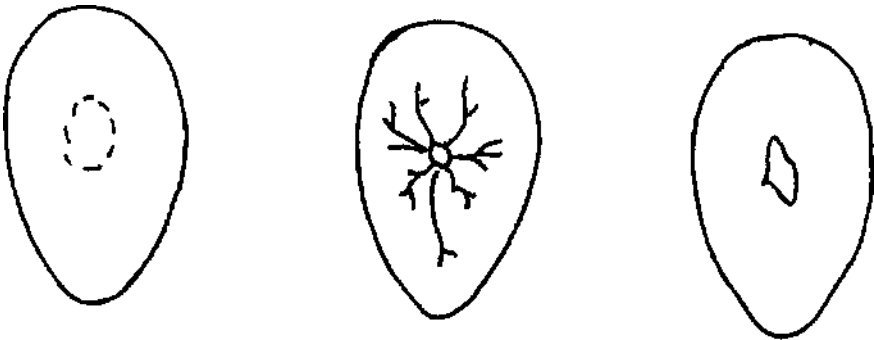


Figure 14: Two types of home-made egg viewer (put the egg up against the hole).



A: clear egg: infertile

B: fertile egg:
embryo alive

C: dead embryo.

Figure 15: Eggs after 9 days of incubation.

7.7 Keeping records

It is very important to write down the date on which the eggs are put into the incubator. Note the temperature and humidity twice a day, using table 3. If hatching results are poor at the end of the incubation

period, your records will tell you whether the temperature or the humidity levels were to blame.

Normally hatching rates vary from 50 to 70%. It is rare to achieve 80% or over.

Table 3: Example of a record sheet.

Record sheet for incubator no.:					Date of start: of incubation:				
Day no.	Time 1	Dry-bulb temp.	Wet-bulb temp.	No. times turned	Time 2	Dry-bulb temp.	Wet-bulb temp.	No. times turned	Notes
1									
2									
3									
4									
5									
6									
19									
20									
21									

8 Raising chicks by artificial mothering

It is absolutely essential in raising chicks to provide them with the necessary warmth. In this chapter you can read about how to build a simple brooder, a device to ensure that the birds have the conditions they need. We also explain the use of an infra-red lamp to regulate the temperature.

8.1 The need for warmth

In order to survive, newly hatched chicks need a source of heat that will prevent their body temperature from falling too low. Whilst they can move about and support low temperatures for a short period, it is important that they be able to warm themselves up as soon as they get cold.

Under normal conditions the mother hen will ensure that they are kept warm. She can handle twice as many chicks as she hatched herself, but only if she is given the chicks when they are small and no later than one day after her own eggs have hatched. If it is not too cold a hen can look after up to 15 chicks. Chicks that have got cold will not die immediately but will start to develop digestive disorders (diarrhoea) in the week before dying.

8.2 Description of a simple brooder

You will have to provide an artificial heat source, such as an infra-red lamp, a light bulb painted red, or an oil or gas lamp. Figure 16 shows a cardboard brooder, consisting of an infra-red lamp and a sort of box that will keep the heat in. The walls can be made of cardboard. The bulb is covered with a conical shade to direct the heat to the chicks.

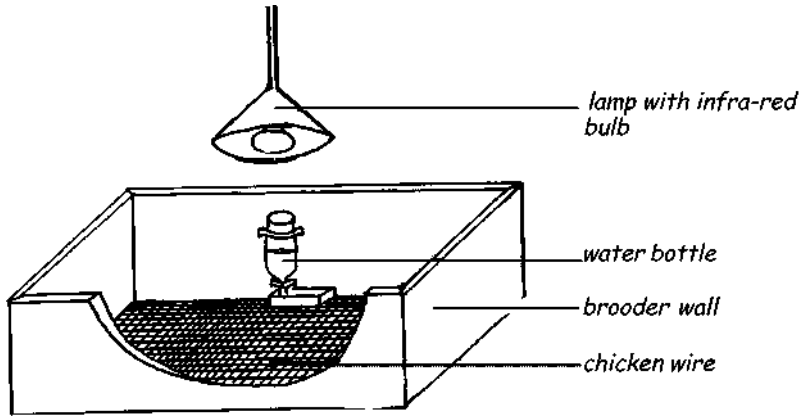


Figure 16: A cardboard brooder.

For the first week the lamp is placed 10 cm above the ground. For the first few days the temperature should be at 32°C. Check the temperature at the level of the chicks, i.e. at 5 cm above ground level. The lamp should be raised 5 cm higher every week, as chicks will need less heat as they get older. As they are better protected by their new feathers the temperature can be reduced slightly. The temperatures to observe are given in a table below.

The lamp should hang in the middle of the brooder so that its heat spreads to the whole of the area. The corners of the brooder might be too cold for the chicks during the first two weeks. Put some bricks in these corners and remove them after two weeks. Another solution is to construct a brooder with a circular floor. Figure 17 shows a top view.

For 30 chicks the brooder floor should measure at least 60 x 60 cm. The floor consists of fine-mesh chicken wire, positioned about 5 cm off the ground. The droppings will fall through the holes and keep the floor clean. For the first two or three weeks, however, cover the wire with newspaper to prevent draughts and cold air from rising from below. The paper should be changed daily.

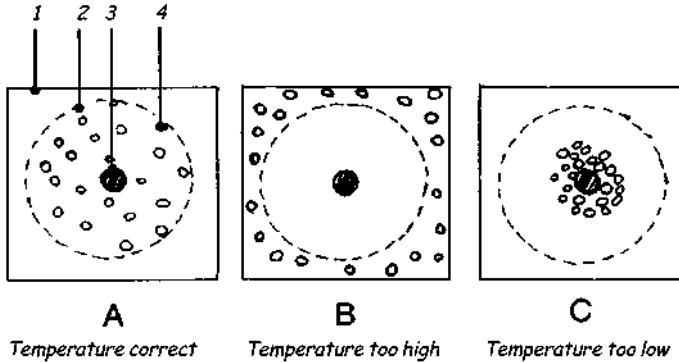


Figure 17: Top view of the brooder, with heat zone indicated.

8.3 The growing chicks

Day-old chicks will soon start moving in search of whatever food they can find. They need good quality food, even better than that of the hens. If the weather is good and the place is safe from predators like rats, large birds and dogs, it might be a good idea to let them pick at some vegetation in addition to their normal concentrated feed.

Table 4: Recommended temperatures in the brooder

Age in weeks	Temperatures in °C (close to the ground)
0-1	32-30
1-2	30-28
2-3	28-25
3-4	25-22
4-5	22-20
5-6	20-18

After two weeks the chicks should be able to walk in and out of the brooder. The artificial heating can be turned off after 4 weeks, if outside day-time temperatures are above 20°C. You might have to keep the lamp burning during cold nights. Keep an eye on the chicks to make sure that they are comfortable - do they huddle around the heat or do they move away from it?

8.4 Guidelines for giving the chicks a good start

- The brooder should be cleaned thoroughly with a good disinfectant before putting the chicks inside.
- Keep the brooder dry and avoid draughts during brooding.
- Cover the floor of the brooder with (news)paper during the first week and change the paper daily.
- Later cover the floor with clean dry litter (sawdust, dry sand, etc.). Start with 2 cm at first and add clean dry litter daily, gradually building up to 7 cm thick. Alternatively you can use a wire-mesh floor.
- In the first few days feed the chicks by sprinkling grain on the paper on the brooder floor.
- From the third day on, start feeding mash.
- Feed mash in small quantities, three to four times a day. This will encourage the chicks to eat more, resulting in more uniform growth and reduced wastage. Some food should be left in the chicks' feed containers at the end of the day.
- Fresh water must be available at all times. If there is disease about (coccidiosis or worms) you will have to use the proper treatments (consult a veterinarian).
- Provide enough food and water containers for all the chicks to be able to feed and drink at the same time.
- Keep the brooder and its surroundings clean. Wash food and water containers daily.
- If you find lice, mites and/or fleas, spray the empty brooder with a good disinfectant (consult a veterinarian).
- The litter must be turned once a week. Pay particular attention to litter near the water dishes. Turn it frequently to prevent it from caking.

9 The eggs of other types of fowl

The eggs of other birds are not incubated in quite the same way as for hens. Here we will look at the incubation of the eggs of two types of domestic duck, and of turkeys, quail and guinea fowl.

When eggs are stored they should be placed with the air pocket up-permost. This is true for almost all types of fowl.

9.1 Eggs of the Mandarin or Peking duck and the Barbary duck (*Cairine moschata*)

For artificial incubation, a temperature of 38°C is best. During the first 24 days of incubating duck eggs, relative humidity should be at 70% (wet-bulb temperature = 31°C). During hatching the humidity should rise to 80%. Turning should be carried out several times a day, until the 26th day.

Most of the Mandarin duck's eggs will not hatch out before 28 days, and the Barbary duck's will even take 35 days. As duck eggs are dirtier than poultry eggs, they need to be cleaned as soon as possible, preferably without wetting them.

Storing conditions are the same as for poultry eggs. A hen that is willing to sit is capable of hatching almost as many duck eggs as she would of her own eggs. If the hen has no direct access to water, Peking duck eggs should be sprinkled daily with luke-warm water (i.e. at blood temperature) from day 15 to 24, and again on the last day of incubation. Barbary duck eggs should be sprinkled from day 15 to day 32, and on the last day.

Incubation conditions for the Peking duck are as follows (see also table 5).

Table 5: Incubation conditions for eggs of the Peking duck.

Day	Temperature °C	Relative Humidity %	Wet-bulb temp. °C	Max. weight loss %	Minimum turns per day
1-24	38	70	32	}-	5
24-26	38	60	31		5
26-28	37,5	80	32,6		0

The ideal temperature for artificial incubation is 38°C. Relative humidity should be at 70% until day 24 (wet-bulb temperature of 31°C). During hatching out the humidity should rise to up to 80%. The eggs should be turned daily until the 26th day.

There is little difference for the Barbary duck, except in the time intervals. Ideal temperature is also 38°C. Relative humidity should not exceed 70% until day 29 (wet-bulb reading 32°C). During hatching out, the humidity should rise to up to 80%. The eggs should be turned daily until day 32.

Table 6: Incubation conditions for eggs of the Barbary duck.

Day	Temperature °C	Relative Humidity %	Wet-bulb temp. °C	Max. weight loss %	Minimum turns per day
1-29	38	70	32	}-	5
29-32	38	60	31		5
32-35	37,5	80	32,6		0

For more information on duck keeping you can consult Agrodok 33: 'Duck keeping in the tropics'.

9.2 Turkey eggs

Turkey eggs also hatch after 28 days. Medium size eggs give better results than large eggs. They will develop faster in storage than poultry eggs. For this reason they should not be stored any longer than necessary and they should be collected from the nest several times a day, every 3 hours for example. Not every turkey pullet is a good sitter. A broody turkey pullet must be watched especially during the last

(fourth) week of sitting. A turkey can cope with 15 to 18 eggs, whereas a hen will only manage 8 to 10 turkey eggs.

Table 7: Incubation conditions for Turkey eggs.

Day	Temperature °C	Relative Humidity %	Wet-bulb temp. °C	Max. weight loss %	Minimum turns per day
1-24	39,0	60	31	} 12	5
24-28	37,5	75	33		0

9.3 Quail eggs

Quail eggs should not be older than five days when they are set to incubate. Turning should be done seven times a day. Incubation takes 18 days. The ideal temperature is 37.7°C. Humidity should be at 60% until day 16. After day 16 the relative humidity may be raised to a very high level: 90% (wet-bulb temperature = 34°C).

Table 8: Incubation conditions for Turkey eggs.

Day	Temperature °C	Relative Humidity %	Wet-bulb temp. °C	Max. weight loss %	Minimum turns per day
1-16	37,7	60	31	} 21,5	7
16-18	37,2	90	34		0

9.4 Guinea hen eggs

The incubation period of guinea fowl eggs is 28 days. Incubation practices are similar to those for ducks, although the birds are smaller.

Table 9: Incubation conditions for eggs of the Guinea hen.

Day	Temperature °C	Relative Humidity %	Wet-bulb temp. °C	Max. weight loss %	Minimum turns per day
1-24	37,2	70	29,1	}-	5
24-26	37	60	29,6		5
26-28	36,8	80	32,6		0

10 Troubleshooting

Problem 1:

Too many “clears” (infertile eggs). When these eggs are opened: no development and no blood rings visible.

Probable cause	Prevention
a. Too many hens per male bird	Use 1 male for every 10 hens
b. Males are undernourished.	Feed the males separately.
c. Males fighting or interfering during mating.	Do not keep big flocks, for which many males are necessary. Always rear breeding males together.
d. Sterility, disease or leg-disorders in the male, or male prefers to mate only with certain hens.	Change the male bird.
e. Male bird too old.	Change the male
f. Eggs are too old or have been stored or transported in poor conditions.	Avoid using eggs over 1 week old (see Chapter 3)

Problem 2:

“Clear” eggs with signs of very early development (a blood ring or a small dead embryo found when opened).

Probable cause	Prevention
a. Temperature in incubator is too high or too low.	Check thermometer and thermostat. Follow advice in Chapter 8.
b. Eggs have been stored cold.	Do not store eggs in a cold and or draughty place.
c. See 1.f.	See 1.f.
d. The birds have been kept in poor conditions.	Do not incubate the eggs of sick birds.

Problem 3:

A lot of eggs with dead chicks.

Probable cause	Prevention
a. See 2.a; incorrect temperature.	See 2.a.
b. Incorrect turning.	Turn the eggs carefully, and as often as recommended in Chapter 8.
c. Chicks die towards the end of week 2, probably caused by poor feeding of the parents.	Feed good rations, paying special attention to the vitamins A, B2 and B12.
d. Insufficient ventilation.	Open more air holes.

Problem 4:

Chicks have developed well but have failed to hatch (unable to break the shell).

Probable cause	Prevention
a. See 3.b; incorrect turning.	See 3.b.
b. Incorrect humidity: 1. too dry: air pocket too big. 2. too humid: air pocket too small.	Use a good wet-bulb thermometer. Add water containers or spray more often. Remove water containers.

Problem 5:

Chicks break the shell but fail to leave the egg

Probable cause	Prevention
a. Air too dry.	Check the wet-bulb readings; Add water containers or a wet cloth.
b. Chicks develop late (See 6).	See 6.
c. Temperature peaks very high for a short period of time.	Check the thermostat and the heat lamp.

Problem 6:

Sticky chicks - the shell sticks to the hatched chicks.

Probable cause	Prevention
a. Dehydrated eggs.	Low humidity; check the wet-bulb readings.
b. Humidity too low during hatching out.	Raise the humidity to 70-80% (wet-bulb temp. over 32°C) during hatching out process, but not before; keep the incubator closed during hatching out.

Problem 7:

Weakly chicks

Probable cause	Prevention
a. Incubator temperature too high.	Check the thermometer.

Problem 8:

Small chicks.

Probable cause	Prevention
a. Eggs to be incubated too small	Use only medium size eggs
b. Humidity too low.	See 5.a.

Problem 9:

Weakly and bad-smelling chicks. Many deaths.

Probable cause	Prevention
a. Omphalitis or navel infection.	Clean and thoroughly disinfect the incubator and all other equipment used.

Problem 10:

Irregular hatching out of chicks.

Probable cause	Prevention
a. Eggs with different storage periods used.	Use no eggs stored for longer than 1 week.
b. Different sized eggs.	Start incubating large eggs one and a half days earlier.
c. Changing temperatures during incubation.	See 5.c.
d. Temperature higher in the centre of the incubator than at the sides.	Improve incubator insulation.

Problem 11:

Chicks walking uncertainly.

Probable cause	Prevention
a. Brooder floor too smooth.	Use rougher material to cover floor.

Further reading

Agrodok N° 4. **Small Scale Poultry Production in the Tropics** (1995). Agromisa, Wageningen

Banerjee, G. C. **A textbook of animal husbandry**. Oxford and IBH Publishers, New Delhi, Bombay, Calcutta, India

CAB International, 1987. **Manuel d'aviculture en zone tropicale**, Wallingford, Great Britain.

Ernst, R.A. **Hatchery and hatching – egg sanitation**. Berkeley, Univ. of California (7 pp).

French, K. M., 1984. **Practical Poultry Raising**. Peace Corps, Trans Century Corporation, Washington, D.C., USA

Gietema, B. **The basics of chicken farming in the tropics**.(2003). Stoas. ISBN: 90 5285 0062

Ketelaars, E.H. **Chicken farming in warm climatic zones**. (2003). Stoas., ISBN: 90 5285 060 7

McArdle, A. A., 1972. **Poultry management and production**. Angus and Robertson (Publishers) Pty. Ltd., Sydney, Melbourne, Brisbane, Singapore (pp. 750).

Oluyemi, J. A. and Roberts, F. A., 1979. **Poultry production in warm wet climates**. The MacMillan Press Ltd., London, Basingstoke, Delhi, Dublin, Hong Kong, Johannesburg, Lagos, Melbourne, New York, Singapore and Tokyo.

Portsmouth, J. **Practical poultry keeping**. Spur Publications, (pp. 207).

Price, C. J. and Reed, J. E., 1971. **Poultry husbandry II**. FAO, Rome.

Singh, H. and Moore, E. N., 1978. **Livestock and poultry production**. Prentice Hall of India, New Delhi.

Smith, A.J. Poultry (2001), CTA, Nacmillan. ISBN:0 333 473957

Smith, A.J. L'élevage de la volaille. (1991)., ACCT, CTA, Maisonneuve et Larose., 161 pp., ISBN: 92 9028 189 8

Williamson G, Payne W. J. A., 1978. **Poultry: An introduction to Animal Husbandry in the tropics**, Longman, London (pp. 595-652).

Communautés Africaines Jan/Feb.1992 (pp. 15-20) : **Une incubator à pétrole – un outil à la portée de petits éleveurs**. B.P. 5946 Douala Akwa – Cameroon. Also obtainable from Agromisa.

Useful addresses

CABI Africa Regional Centre,
ICRAF Complex ,
PO Box 633 Village Market,
Nairobi, Kenya,
Tel: +254-205 24462, Fax: +254-205 22150,
Email: cabi-arc@cabi.org (for general enquiries),
Email: bioscience.kenya@cabi.org (for scientific enquiries)

CIRAD (Centre de Coopération Internationale et Recherche pour le Développement),
Siège social 42, rue Scheffer ;
75116 Paris, France ;
Tel.: +33 1 53 70 20 00 : Fax: +33 1 47 55 15 30

DIO: Dierengeneeskunde in ontwikkelingssamenwerking
Yalelaan 17 U
3584 CL Utrecht, The Netherlands
E-mail : dio@dio.nl; website : www.dio.nl

IAC - International Agricultural Centre
Lawickse Allee 11,
6701 AN Wageningen,
P.O. Box 88,
6700 AB Wageningen, The Netherlands,
Tel: +31 317 495495, Fax: +31 (0)317 495395,
E-mail: info.iac@wur.nl

ILRI (International Livestock Research Institute): Ethiopia,
P.O. Box 5689,
Addis Ababa, Ethiopia,
Tel: +251-1 463215, Fax: +251-1 461252 / 464645,
Email: ILRI-Ethiopia@cgiar.org ;

ILRI-Burkina Faso,
01 BP 454,

Bobo-Dioulasso, Burkina Faso,
Tel: +226 972-638, Fax: (226) 972-320,
Email: toure@ouaga.orstom.bf

ILRI-Niger,
BP 12404,
Niamey, Niger,
Tel: (227) 722-529, Fax: +227 752-208,
Email: ILRI-Niamey@cgiar.org;

Mississippi State University Extension Service:
<http://www.msstate.edu/dept/poultry>

National Veterinary Research Centre,
P.O. Box 32,
Kikuyu, KENYA,
E-mail: nvrc@iconnect.co.ke



Practical Training centre (PTC+)

PTC+ is an international training institute, which focuses on all the links in the production chain on plant and animal commodities, (agricultural) technology, (food) technology and natural areas.

Training programmes are practice-oriented and mix theory with practical classes. PTC+ offers “open entry” programmes, “tailor-made” programmes and consultancy. Programmes are offered in the Netherlands and/or at location.

It is the policy of PTC+ to search for partnerships and co-operation programmes with national and international institutions abroad.

For more information: visit our web-site www.ptcplus.com and/or write to:

PTC+ Head Office

P.O. Box 160, 6710 BD Ede, The Netherlands

Tel.: +31 318 645700

Fax: +31 318 595869

e-mail: info@ptcplus.com

Virginia Cooperative Extension:
<http://www.ext.vt.edu/pubs/poultry>

World's Poultry Science Association (WPSA). Working together to feed the World



Objectives of the World's Poultry Science Association (WPSA)

- Gather knowledge on all aspects of poultry science and the poultry industry and to bring this knowledge to the poultry industry, poultry scientists and other people with interests in poultry.
- Bring together worldwide those concerned with all aspects of poultry science, poultry production and the many diverse ancillary enterprises that are associated with the industry.
- Dedicate itself to the spread of knowledge so that education and training are ranked high amongst the interests of WPSA members.
- Promote good poultry husbandry.

What does membership of the WPSA provide?

- 1 **World's Poultry Science Journal:** The World's Poultry Science Journal has a high international reputation for its content that covers all aspects of poultry science. The Journal is available to subscribers on the Internet, for further information and subscriptions contact: www.cabi-publishing.org/wpsj
- 2 **World's Poultry Congresses:** exchange of knowledge and experience. Participants will obtain wider insight into the many aspects of

the poultry industry not only in the field of science and research but also in the supply and processing industry.

- 3 **Congresses and Symposia of Federations:** major conferences organized on behalf of the European and Asia Pacific Federations of branches of the WPSA. The working groups of the European Federation also organize in alternate years, symposia, conferences or workshops where scientists can discuss poultry problems with people from the industry.
- 4 **Branch Meetings:** National WPSA branches hold regular meetings, produce newsletters, organize tours and are involved in supporting their national industries.
- 5 **Other WPSA activities:** The Netherlands branch of WPSA has established up a trust fund to finance scholarships. A WPSA Speakers Bureau has been set up to help foster local and regional conferences in the poultry sciences. The Association will consider applications for small scale funding support for specific aspects of conferences, which involve a group of branches or countries in a region. Examples include helping to provide a key expert speaker. Travel assistance can be provided to help young WPSA members and students participate in regional and global WPSA Conferences.

Address for further information

World's Poultry Science Association Secretariat:
Dr Ir P.C.M. Simons,
PO Box 31, 7360 AA Beekbergen, The Netherlands
E-mail: piet.simons@wur.nl