

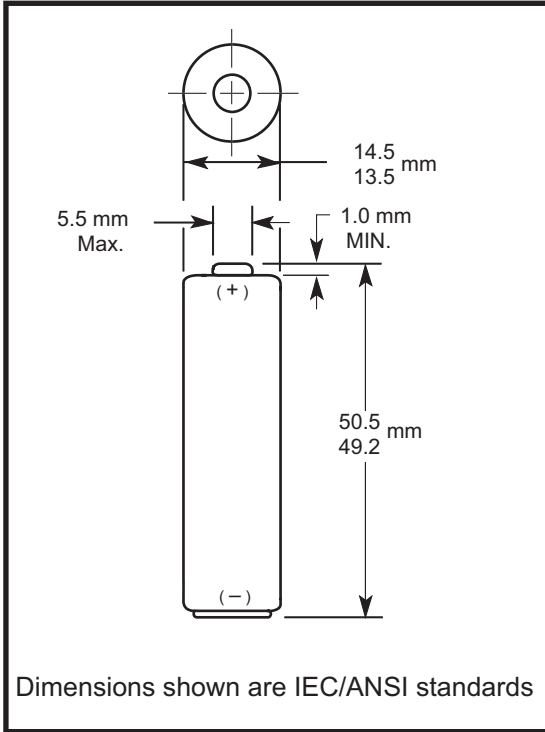


MX1500

Size: AA (LR6)

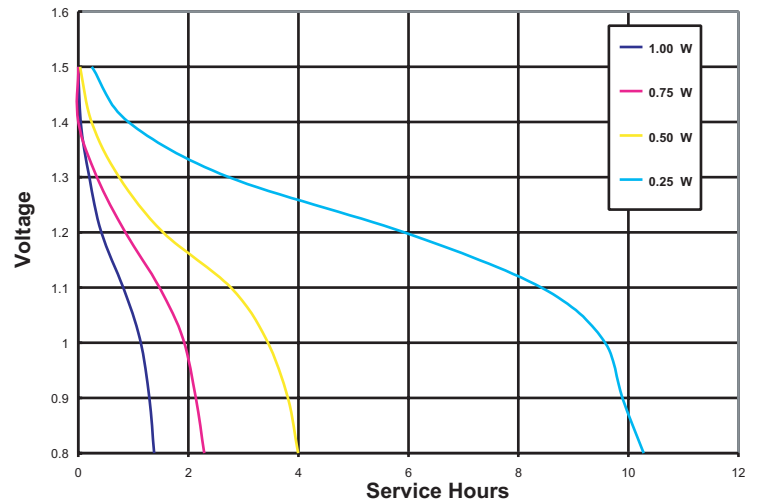
Alkaline-Manganese Dioxide Battery

Zn/MnO₂

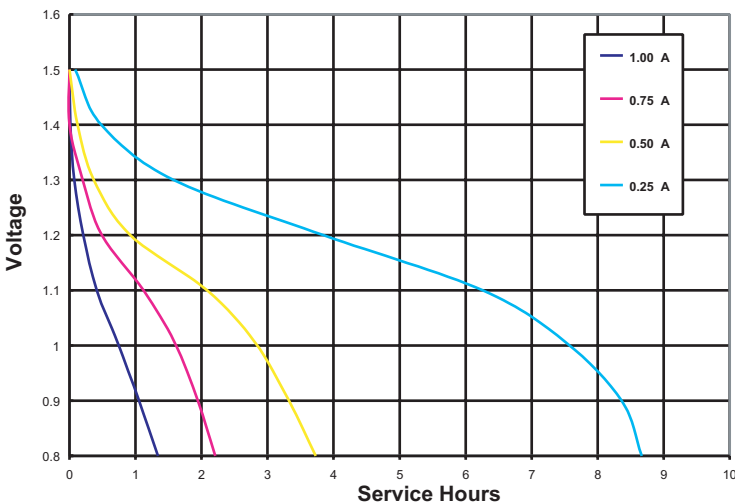


Nominal Voltage:	1.5 V
Nominal Internal Impedance:	81 m-ohm @ 1kHz
Average Weight:	24.4 gm (0.86 oz.)
Volume:	8.4 cm ³ (0.51 in. ³)
Terminals:	Flat
Operating Temperature Range:	-20°C to 54°C (-4°F to 130°F)
NEDA/ANSI:	15A
IEC:	LR6

Discharge Characteristics at Various Power Drains



Typical Ultra AA Discharge Characteristics



All testing at 21°C (70°F)

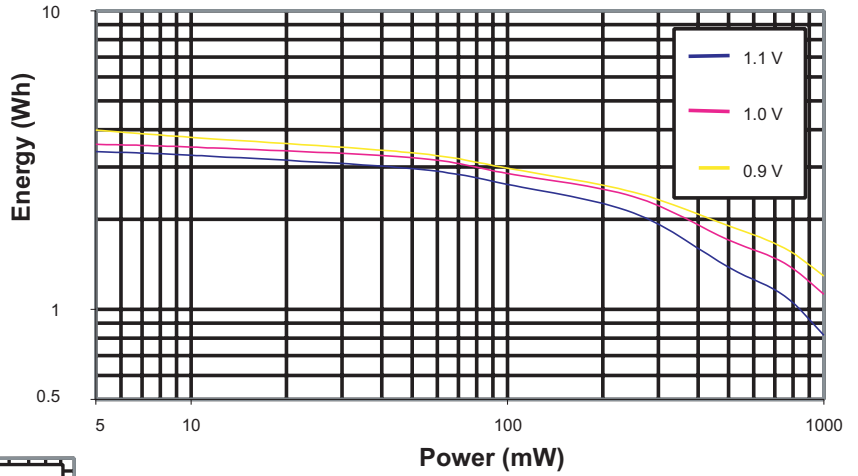
* Delivered capacity is dependent on the applied load, operating temperature and cut-off voltage. Please refer to the charts and discharge data shown for examples of the energy / service life that the battery will provide for various load conditions.



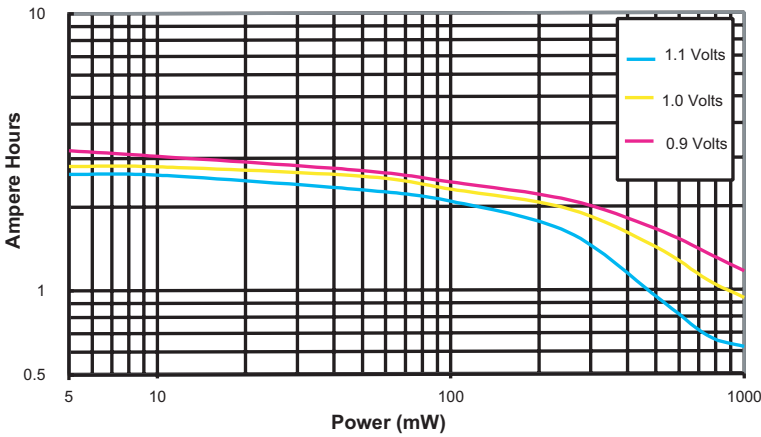
MX1500
Size: AA (LR6)
Alkaline-Manganese Dioxide Battery

Zn/MnO₂

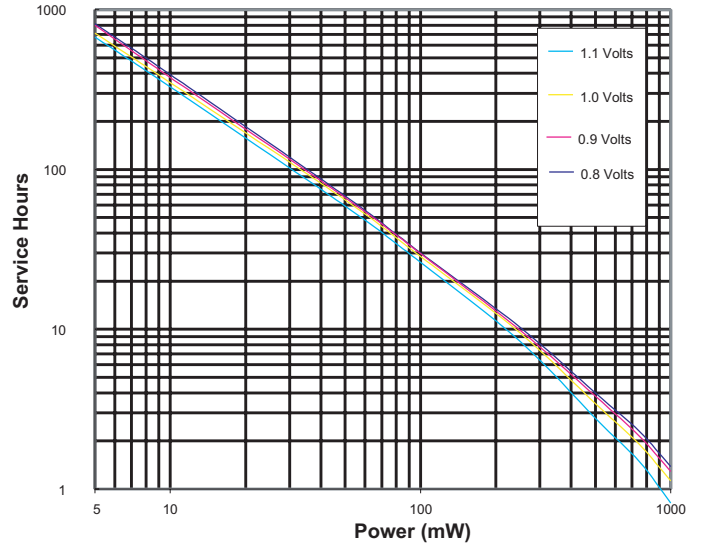
Delivered Energy vs Power Drain



Delivered Capacity vs Power Drain



Service Hours vs Power Drain



All testing at 21°C (70°F)

DURACELL
 BATTERIES

Berkshire Corporate Park
 Bethel, CT 06801 U.S.A.
 Telephone: Toll-free 1-800-544-5454
 Internet: www.duracell.com

* Delivered capacity is dependent on the applied load, operating temperature and cut-off voltage. Please refer to the charts and discharge data shown for examples of the energy / service life that the battery will provide for various load conditions.