

# Electrical resistance and conductance

From Wikipedia, the free encyclopedia

The **electrical resistance** of an electrical conductor is a measure of the difficulty to pass an electric current through that conductor. The inverse quantity is **electrical conductance**, and is the ease with which an electric current passes. Electrical resistance shares some conceptual parallels with the notion of mechanical friction. The SI unit of electrical resistance is the ohm ( $\Omega$ ), while electrical conductance is measured in siemens (S).

An object of uniform cross section has a resistance proportional to its resistivity and length and inversely proportional to its cross-sectional area. All materials show some resistance, except for superconductors, which have a resistance of zero.

The resistance ( $R$ ) of an object is defined as the ratio of voltage across it ( $V$ ) to current through it ( $I$ ), while the conductance ( $G$ ) is the inverse:

$$R = \frac{V}{I}, \quad G = \frac{I}{V} = \frac{1}{R}$$

For a wide variety of materials and conditions,  $V$  and  $I$  are directly proportional to each other, and therefore  $R$  and  $G$  are constant (although they can depend on other factors like temperature or strain). This proportionality is called Ohm's law, and materials that satisfy it are called *ohmic* materials.

In other cases, such as a diode or battery,  $V$  and  $I$  are *not* directly proportional. The ratio  $V/I$  is sometimes still useful, and is referred to as a "chordal resistance" or "static resistance",<sup>[1][2]</sup> since it corresponds to the inverse slope of a chord between the origin and an  $I$ - $V$  curve. In other situations, the derivative  $\frac{dV}{dI}$  may be most useful; this is called the "differential resistance".

## Contents

- 1 Introduction
- 2 Conductors and resistors
- 3 Ohm's law
- 4 Relation to resistivity and conductivity
  - 4.1 What determines resistivity?
- 5 Measuring resistance
- 6 Typical resistances
- 7 Static and differential resistance
- 8 AC circuits
  - 8.1 Impedance and admittance
  - 8.2 Frequency dependence of resistance
- 9 Energy dissipation and Joule heating
- 10 Dependence of resistance on other conditions
  - 10.1 Temperature dependence
  - 10.2 Strain dependence
  - 10.3 Light illumination dependence
- 11 Superconductivity

- 12 See also
- 13 References
- 14 External links

## Introduction

In the hydraulic analogy, current flowing through a wire (or resistor) is like water flowing through a pipe, and the voltage drop across the wire is like the pressure drop that pushes water through the pipe.

Conductance is proportional to how much flow occurs for a given pressure, and resistance is proportional to how much pressure is required to achieve a given flow. (Conductance and resistance are reciprocals.)

The voltage *drop* (i.e., difference between voltages on one side of the resistor and the other), not the voltage itself, provides the driving force pushing current through a resistor. In hydraulics, it is similar: The pressure *difference* between two sides of a pipe, not the pressure itself, determines the flow through it. For example, there may be a large water pressure above the pipe, which tries to push water down through the pipe. But there may be an equally large water pressure below the pipe, which tries to push water back up through the pipe. If these pressures are equal, no water flows. (In the image at right, the water pressure below the pipe is zero.)

The resistance and conductance of a wire, resistor, or other element is mostly determined by two properties:

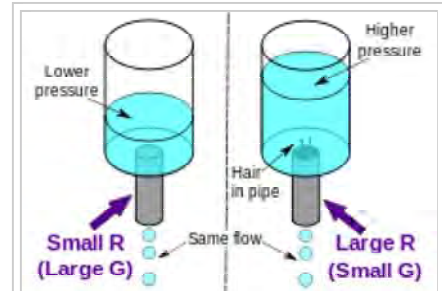
- geometry (shape), and
- material

Geometry is important because it is more difficult to push water through a long, narrow pipe than a wide, short pipe. In the same way, a long, thin copper wire has higher resistance (lower conductance) than a short, thick copper wire.

Materials are important as well. A pipe filled with hair restricts the flow of water more than a clean pipe of the same shape and size. Similarly, electrons can flow freely and easily through a copper wire, but cannot flow as easily through a steel wire of the same shape and size, and they essentially cannot flow at all through an insulator like rubber, regardless of its shape. The difference between, copper, steel, and rubber is related to their microscopic structure and electron configuration, and is quantified by a property called resistivity.

In addition to geometry and material, there are various other factors that influence resistance and conductance, such as temperature; see below.

## Conductors and resistors



The hydraulic analogy compares electric current flowing through circuits to water flowing through pipes. When a pipe (left) is filled with hair (right), it takes a larger pressure to achieve the same flow of water. Pushing electric current through a large resistance is like pushing water through a pipe clogged with hair: It requires a larger push (electromotive force) to drive the same flow (electric current).

Substances in which electricity can flow are called conductors. A piece of conducting material of a particular resistance meant for use in a circuit is called a resistor. Conductors are made of high-conductivity materials such as metals, in particular copper and aluminium. Resistors, on the other hand, are made of a wide variety of materials depending on factors such as the desired resistance, amount of energy that it needs to dissipate, precision, and costs.



A 6.5 MΩ resistor, as identified by its electronic color code (blue–green–black–yellow). An ohmmeter could be used to verify this value.

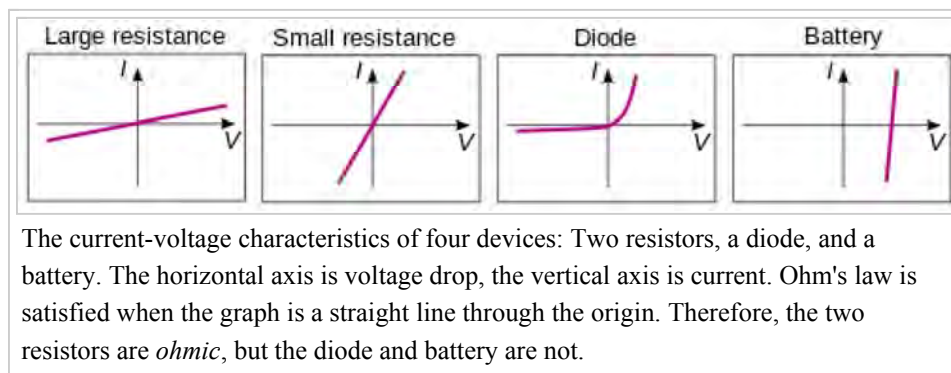
## Ohm's law

Ohm's law is an empirical law relating the voltage  $V$  across an element to the current  $I$  through it:

$$I \propto V$$

( $I$  is directly proportional to  $V$ ). This law is not always true: For example, it is false for diodes, batteries, and other devices whose

conductance is not constant. However, it is true to a very good approximation for wires and resistors (assuming that other conditions, including temperature, are held constant). Materials or objects where Ohm's law is true are called *ohmic*, whereas objects that do not obey Ohm's law are *non-ohmic*.



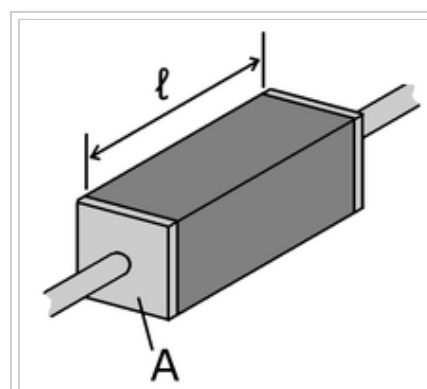
## Relation to resistivity and conductivity

The resistance of a given object depends primarily on two factors: What material it is made of, and its shape. For a given material, the resistance is inversely proportional to the cross-sectional area; for example, a thick copper wire has lower resistance than an otherwise-identical thin copper wire. Also, for a given material, the resistance is proportional to the length; for example, a long copper wire has higher resistance than an otherwise-identical short copper wire. The resistance  $R$  and conductance  $G$  of a conductor of uniform cross section, therefore, can be computed as

$$R = \rho \frac{\ell}{A},$$

$$G = \sigma \frac{A}{\ell}.$$

where  $\ell$  is the length of the conductor, measured in metres [m],  $A$  is the cross-sectional area of the conductor measured in square metres [m<sup>2</sup>],  $\sigma$  (sigma) is the electrical conductivity measured in siemens per meter (S·m<sup>-1</sup>), and  $\rho$  (rho) is the electrical resistivity (also called *specific electrical resistance*) of the material,



A piece of resistive material with electrical contacts on both ends.

measured in ohm-metres ( $\Omega\cdot\text{m}$ ). The resistivity and conductivity are proportionality constants, and therefore depend only on the material the wire is made of, not the geometry of the wire. Resistivity and conductivity are reciprocals:  $\rho = 1/\sigma$ . Resistivity is a measure of the material's ability to oppose electric current.

This formula is not exact, as it assumes the current density is totally uniform in the conductor, which is not always true in practical situations. However, this formula still provides a good approximation for long thin conductors such as wires.

Another situation for which this formula is not exact is with alternating current (AC), because the skin effect inhibits current flow near the center of the conductor. For this reason, the *geometrical* cross-section is different from the *effective* cross-section in which current actually flows, so resistance is higher than expected. Similarly, if two conductors near each other carry AC current, their resistances increase due to the proximity effect. At commercial power frequency, these effects are significant for large conductors carrying large currents, such as busbars in an electrical substation,<sup>[3]</sup> or large power cables carrying more than a few hundred amperes.

## What determines resistivity?

The resistivity of different materials varies by an enormous amount: For example, the conductivity of teflon is about  $10^{30}$  times lower than the conductivity of copper. Why is there such a difference? Loosely speaking, a metal has large numbers of "delocalized" electrons that are not stuck in any one place, but free to move across large distances, whereas in an insulator (like teflon), each electron is tightly bound to a single molecule, and a great force is required to pull it away. Semiconductors lie between these two extremes. More details can be found in the article: Electrical resistivity and conductivity. For the case of electrolyte solutions, see the article: Conductivity (electrolytic).

Resistivity varies with temperature. In semiconductors, resistivity also changes when exposed to light. See below.

## Measuring resistance

An instrument for measuring resistance is called an ohmmeter. Simple ohmmeters cannot measure low resistances accurately because the resistance of their measuring leads causes a voltage drop that interferes with the measurement, so more accurate devices use four-terminal sensing.

## Typical resistances

Component	Resistance ( $\Omega$ )
1 meter of copper wire with 1 mm diameter	0.02 <sup>[4]</sup>
1 km overhead power line ( <i>typical</i> )	0.03 <sup>[5]</sup>
AA battery ( <i>typical internal resistance</i> )	0.1 <sup>[6]</sup>
Incandescent light bulb filament ( <i>typical</i> )	200–1000 <sup>[7]</sup>
Human body	1000 to 100,000 <sup>[8]</sup>

## Static and differential resistance

Many electrical elements, such as diodes and batteries do *not* satisfy Ohm's law. These are called *non-ohmic* or *non-linear*, and their  $I$ - $V$  curves are *not* straight lines through the origin.

Resistance and conductance can still be defined for non-ohmic elements. However, unlike ohmic resistance, non-linear resistance is not constant but varies with the voltage or current through the device; i.e., its operating point. There are two types of resistance:<sup>[1][2]</sup>

- **Static resistance** (also called *chordal* or *DC resistance*) - This corresponds to the usual definition of resistance; the voltage divided by the current

$$R_{\text{static}} = \frac{V}{I} .$$

It is the slope of the line (chord) from the origin through the point on the curve. Static resistance determines the power dissipation in an electrical component. Points on the  $IV$  curve located in the 2nd or 4th quadrants, for which the slope of the chordal line is negative, have *negative static resistance*. Passive devices, which have no source of energy, cannot have negative static resistance. However active devices such as transistors or op-amps can synthesize negative static resistance with feedback, and it is used in some circuits such as gyrators.

- **Differential resistance** (also called *dynamic*, *incremental* or *small signal resistance*) - Differential resistance is the derivative of the voltage with respect to the current; the slope of the  $IV$  curve at a point

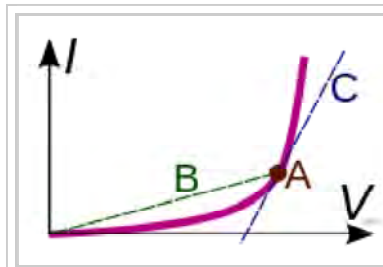
$$R_{\text{diff}} = \frac{dV}{dI} .$$

If the  $IV$  curve is nonmonotonic (with peaks and troughs), the curve has a negative slope in some regions—so in these regions the device has *negative differential resistance*. Devices with negative differential resistance can amplify a signal applied to them, and are used to make amplifiers and oscillators. These include tunnel diodes, Gunn diodes, IMPATT diodes, magnetron tubes, and unijunction transistors.

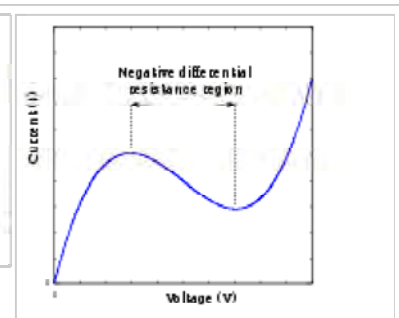
## AC circuits

### Impedance and admittance

When an alternating current flows through a circuit, the relation between current and voltage across a circuit element is characterized not only by the ratio of their magnitudes, but also the difference in their phases. For example, in an ideal resistor, the moment when the voltage reaches its maximum, the current also reaches its maximum (current and voltage are oscillating in phase). But for a capacitor or inductor, the maximum current

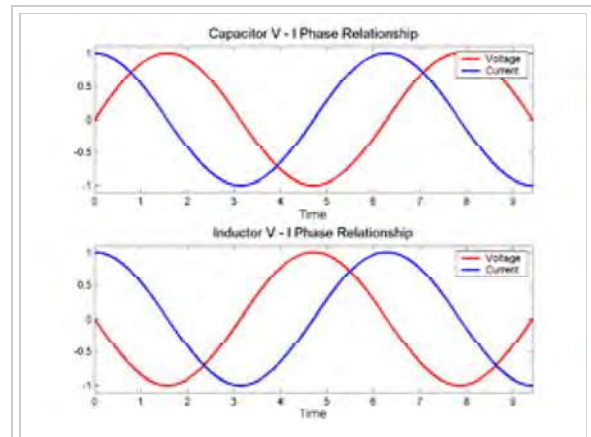


The  $IV$  curve of a non-ohmic device (purple). The **static resistance** at point  $A$  is the inverse slope of line  $B$  through the origin. The **differential resistance** at  $A$  is the inverse slope of tangent line  $C$ .



The  $IV$  curve of a component with negative differential resistance, an unusual phenomenon where the  $IV$  curve is non-monotonic.

flow occurs as the voltage passes through zero and vice versa (current and voltage are oscillating  $90^\circ$  out of phase, see image at right). Complex numbers are used to keep track of both the phase and magnitude of current and voltage:



The voltage (red) and current (blue) versus time (horizontal axis) for a capacitor (top) and inductor (bottom). Since the amplitude of the current and voltage sinusoids are the same, the absolute value of impedance is 1 for both the capacitor and the inductor (in whatever units the graph is using). On the other hand, the phase difference between current and voltage is  $-90^\circ$  for the capacitor; therefore, the complex phase of the impedance of the capacitor is  $-90^\circ$ . Similarly, the phase difference between current and voltage is  $+90^\circ$  for the inductor; therefore, the complex phase of the impedance of the inductor is  $+90^\circ$ .

$$V(t) = \text{Re}(V_0 e^{j\omega t}), \quad I(t) = \text{Re}(I_0 e^{j\omega t}), \quad Z = \frac{V_0}{I_0}, \quad Y = \frac{I_0}{V_0}$$

where:

- $t$  is time,
- $V(t)$  and  $I(t)$  are, respectively, voltage and current as a function of time,
- $V_0$ ,  $I_0$ ,  $Z$ , and  $Y$  are complex numbers,
- $Z$  is called impedance,
- $Y$  is called admittance,
- $\text{Re}$  indicates real part,
- $\omega$  is the angular frequency of the AC current,
- $j = \sqrt{-1}$  is the imaginary unit.

The impedance and admittance may be expressed as complex numbers that can be broken into real and imaginary parts:

$$Z = R + jX, \quad Y = G + jB$$

where  $R$  and  $G$  are resistance and conductance respectively,  $X$  is reactance, and  $B$  is susceptance. For ideal resistors,  $Z$  and  $Y$  reduce to  $R$  and  $G$  respectively, but for AC networks containing capacitors and inductors,  $X$  and  $B$  are nonzero.

$Z = 1/Y$  for AC circuits, just as  $R = 1/G$  for DC circuits.

## Frequency dependence of resistance

Another complication of AC circuits is that the resistance and conductance can be frequency-dependent. One reason, mentioned above is the skin effect (and the related proximity effect). Another reason is that the resistivity itself may depend on frequency (see Drude model, deep-level traps, resonant frequency, Kramers–Kronig relations, etc.)

## Energy dissipation and Joule heating

Resistors (and other elements with resistance) oppose the flow of electric current; therefore, electrical energy is required to push current through the resistance. This electrical energy is dissipated, heating the resistor in the process. This is called *Joule heating* (after James Prescott Joule), also called *ohmic heating* or *resistive heating*.

The dissipation of electrical energy is often undesired, particularly in the case of transmission losses in power lines. High voltage transmission helps reduce the losses by reducing the current for a given power.

On the other hand, Joule heating is sometimes useful, for example in electric stoves and other electric heaters (also called *resistive heaters*). As another example, incandescent lamps rely on Joule heating: the filament is heated to such a high temperature that it glows "white hot" with thermal radiation (also called incandescence).

The formula for Joule heating is:

$$P = I^2 R$$

where  $P$  is the power (energy per unit time) converted from electrical energy to thermal energy,  $R$  is the resistance, and  $I$  is the current through the resistor.

## Dependence of resistance on other conditions

### Temperature dependence

Near room temperature, the resistivity of metals typically increases as temperature is increased, while the resistivity of semiconductors typically decreases as temperature is increased. The resistivity of insulators and electrolytes may increase or decrease depending on the system. For the detailed behavior and explanation, see Electrical resistivity and conductivity.

As a consequence, the resistance of wires, resistors, and other components often change with temperature. This effect may be undesired, causing an electronic circuit to malfunction at extreme temperatures. In some cases, however, the effect is put to good use. When temperature-dependent resistance of a component is used purposefully, the component is called a resistance thermometer or thermistor. (A resistance thermometer is made of metal, usually platinum, while a thermistor is made of ceramic or polymer.)



Running current through a material with high resistance creates heat, in a phenomenon called Joule heating. In this picture, a cartridge heater, warmed by Joule heating, is glowing red hot.

Resistance thermometers and thermistors are generally used in two ways. First, they can be used as thermometers: By measuring the resistance, the temperature of the environment can be inferred. Second, they can be used in conjunction with Joule heating (also called self-heating): If a large current is running through the resistor, the resistor's temperature rises and therefore its resistance changes. Therefore, these components can be used in a circuit-protection role similar to fuses, or for feedback in circuits, or for many other purposes. In general, self-heating can turn a resistor into a nonlinear and hysteretic circuit element. For more details see Thermistor#Self-heating effects.

If the temperature  $T$  does not vary too much, a linear approximation is typically used:

$$R(T) = R_0[1 + \alpha(T - T_0)]$$

where  $\alpha$  is called the *temperature coefficient of resistance*,  $T_0$  is a fixed reference temperature (usually room temperature), and  $R_0$  is the resistance at temperature  $T_0$ . The parameter  $\alpha$  is an empirical parameter fitted from measurement data. Because the linear approximation is only an approximation,  $\alpha$  is different for different reference temperatures. For this reason it is usual to specify the temperature that  $\alpha$  was measured at with a suffix, such as  $\alpha_{15}$ , and the relationship only holds in a range of temperatures around the reference.<sup>[9]</sup>

The temperature coefficient  $\alpha$  is typically  $+3 \times 10^{-3} \text{ K}^{-1}$  to  $+6 \times 10^{-3} \text{ K}^{-1}$  for metals near room temperature. It is usually negative for semiconductors and insulators, with highly variable magnitude.<sup>[10]</sup>

## Strain dependence

Just as the resistance of a conductor depends upon temperature, the resistance of a conductor depends upon strain. By placing a conductor under tension (a form of stress that leads to strain in the form of stretching of the conductor), the length of the section of conductor under tension increases and its cross-sectional area decreases. Both these effects contribute to increasing the resistance of the strained section of conductor. Under compression (strain in the opposite direction), the resistance of the strained section of conductor decreases. See the discussion on strain gauges for details about devices constructed to take advantage of this effect.

## Light illumination dependence

Some resistors, particularly those made from semiconductors, exhibit *photoconductivity*, meaning that their resistance changes when light is shining on them. Therefore, they are called *photoresistors* (or *light dependent resistors*). These are a common type of light detector.

## Superconductivity

Superconductors are materials that have exactly zero resistance and infinite conductance, because they can have  $V=0$  and  $I \neq 0$ . This also means there is no joule heating, or in other words no dissipation of electrical energy. Therefore, if superconductive wire is made into a closed loop, current flows around the loop forever. Superconductors require cooling to temperatures near 4 K with liquid helium for most metallic superconductors like NbSn alloys, or cooling to temperatures near 77K with liquid nitrogen for the expensive, brittle and delicate ceramic high temperature superconductors. Nevertheless, there are many technological applications of superconductivity, including superconducting magnets.

## See also

- Electrical measurements



- Resistor
- Electrical conduction for more information about the physical mechanisms for conduction in materials.
- Voltage divider
- Voltage drop
- Thermal resistance
- Sheet resistance
- SI electromagnetism units
- Quantum Hall effect, a standard for high-accuracy resistance measurements.
- Conductance quantum and its reciprocal, the Von Klitzing constant (under Von Klitzing)
- Series and parallel circuits
- Johnson–Nyquist noise
- Letter and digit code for resistance values

## References

1. Forbes T. Brown (2006). *Engineering System Dynamics*. CRC Press. p. 43. ISBN 978-0-8493-9648-9.
2. Kenneth L. Kaiser (2004). *Electromagnetic Compatibility Handbook*. CRC Press. pp. 13–52. ISBN 978-0-8493-2087-3.
3. Fink and Beaty, *Standard Handbook for Electrical Engineers 11th Edition*, page 17-19
4. The resistivity of copper is about  $1.7 \times 10^{-8}$  Ωm. See [1] (<http://hypertextbook.com/facts/2004/BridgetRitter.shtml>).
5. *Electric power substations engineering* by John Douglas McDonald, p 18-37, google books link ([https://books.google.com/books?id=e\\_hlhcUQIQC&pg=PT363](https://books.google.com/books?id=e_hlhcUQIQC&pg=PT363))
6. [2] (<http://data.energizer.com/PDFs/BatteryIR.pdf>) For a fresh Energizer E91 AA alkaline battery, the internal resistance varies from 0.9 Ω at -40 °C, to 0.1 Ω at +40 °C.
7. A 60 W light bulb in the USA (120 V mains electricity) draws RMS current 60 W/120 V=500 mA, so its resistance is 120 V/500 mA=240 Ω. The resistance of a 60 W light bulb in Europe (230 V mains) is 900 Ω. The resistance of a filament is temperature-dependent; these values are for when the filament is already heated up and the light is already glowing.
8. 100,000 Ω for dry skin contact, 1000 Ω for wet or broken skin contact. High voltage breaks down the skin, lowering resistance to 500 Ω. Other factors and conditions are relevant as well. For more details, see the electric shock article, and: "Publication No. 98-131: Worker Deaths by Electrocutation" (PDF). National Institute for Occupational Safety and Health. Retrieved 2014-11-02.
9. Ward, MR, *Electrical Engineering Science*, pp36–40, McGraw-Hill, 1971.
10. See Electrical resistivity and conductivity for a table. The temperature coefficient of resistivity is similar but not identical to the temperature coefficient of resistance. The small difference is due to thermal expansion changing the dimensions of the resistor.

## External links

- *Clemson Vehicular Electronics Laboratory: Resistance Calculator* ([http://www.cvel.clemson.edu/emc/calculators/Resistance\\_Calculator/index.html](http://www.cvel.clemson.edu/emc/calculators/Resistance_Calculator/index.html))
- Electron Conductance Models Using Maximal Entropy Random Walks (<http://demonstrations.wolfram.com/ElectronConductanceModelsUsingMaximalEntropyRandomWalks/>) Wolfram Demonstrations Project

Retrieved from "https://en.wikipedia.org/w/index.php?title=Electrical\_resistance\_and\_conductance&oldid=755985670"

Categories: Electrical resistance and conductance | Electricity | Physical quantities | Electromagnetism

---

- This page was last modified on 21 December 2016, at 08:47.
- Text is available under the Creative Commons Attribution-ShareAlike License; additional terms may apply. By using this site, you agree to the Terms of Use and Privacy Policy. Wikipedia® is a registered trademark of the Wikimedia Foundation, Inc., a non-profit organization.