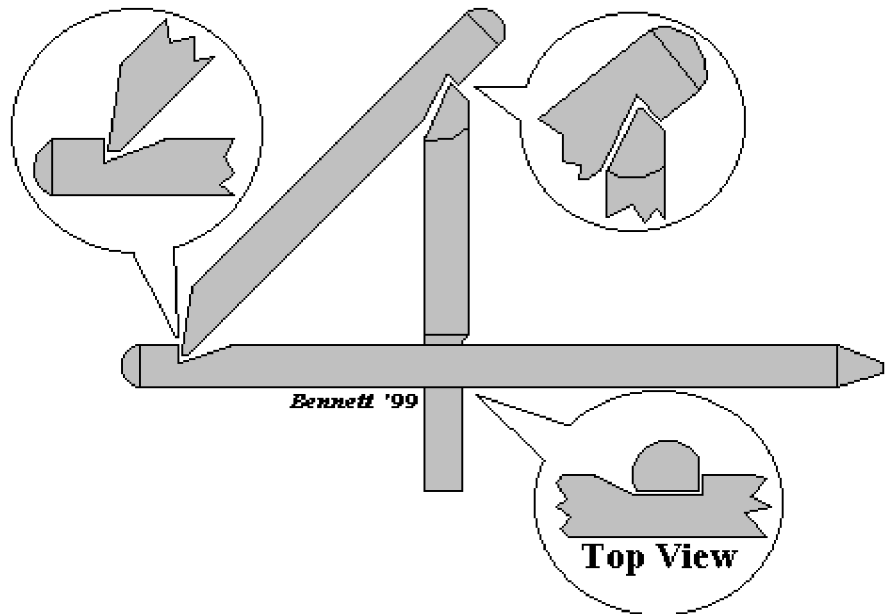


Mike's Web Page

A Little About Traps

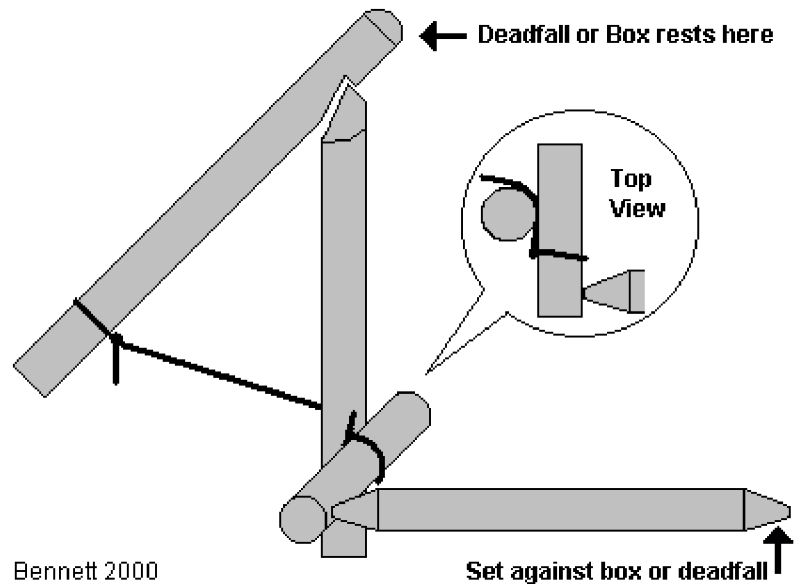
Here's a drawing of the trigger mechanism for a Figure-4 trap. This can be deployed with a box for live capture or a log or similar weight to be a deadfall trap.

Check your local laws for restrictions on trapping. Use of this mechanism may be illegal in certain areas.



A Figure-4 Deadfall Trap

A variation on this mechanism is the Piute deadfall. It uses a string and toggle in place of the cross pin and is said to be faster.



Piute Deadfall

[Mail me!](#) | [Home](#)