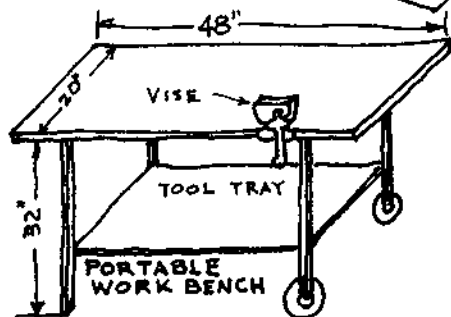
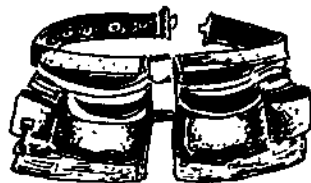


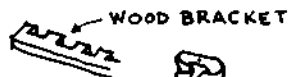
COMPARTMENT TOOL BOX



30.1 TOOL ACCESSORIES



LEATHER APRON



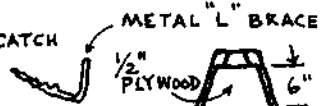
WOOD BRACKET



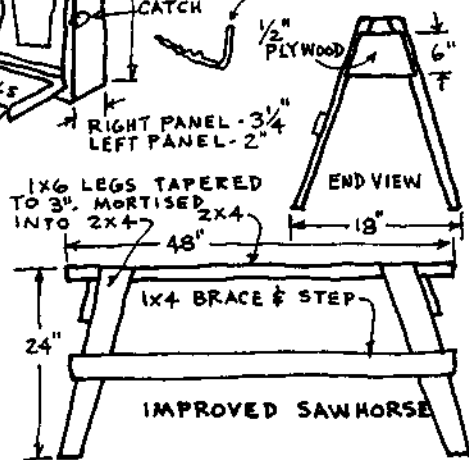
BROOM CLIP



WOOD LATCH



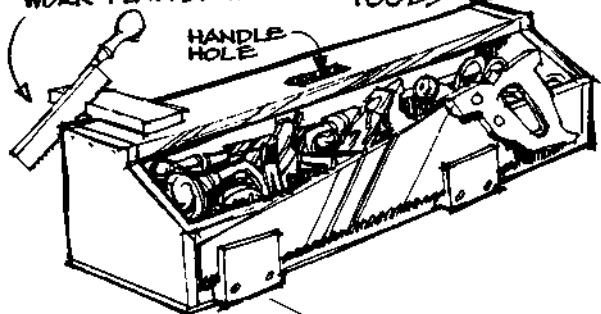
METAL "L" BRACE



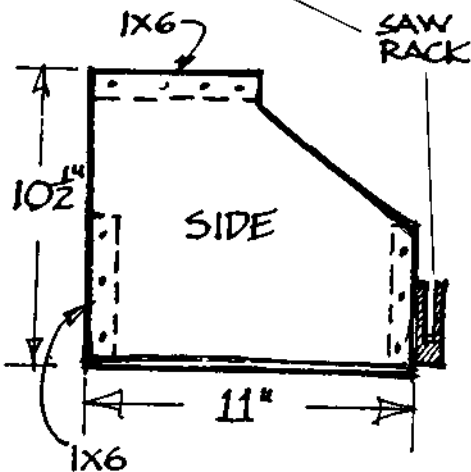
IMPROVED SAWHORSE

TOP OF TOOLBOX
SERVES AS A HANDY
WORK PLATFORM.

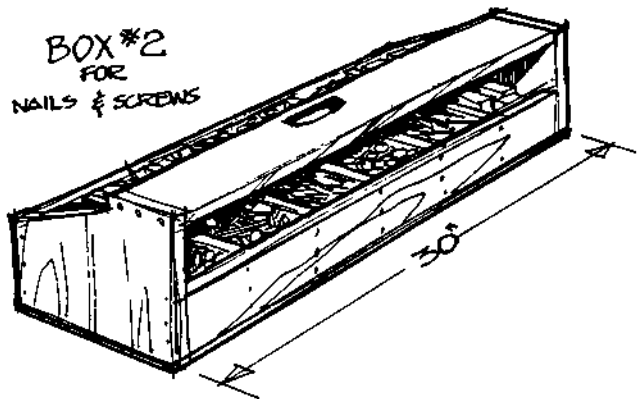
BOX #1
FOR
TOOLS

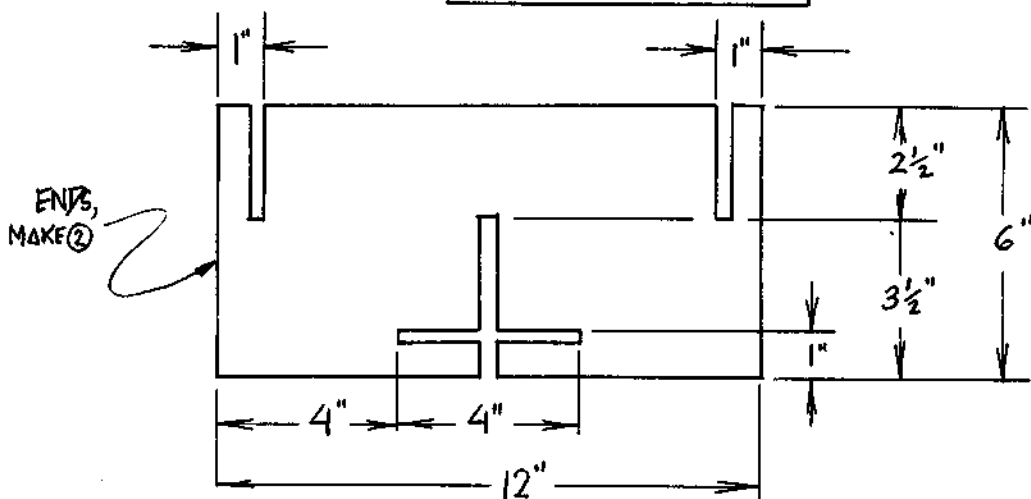
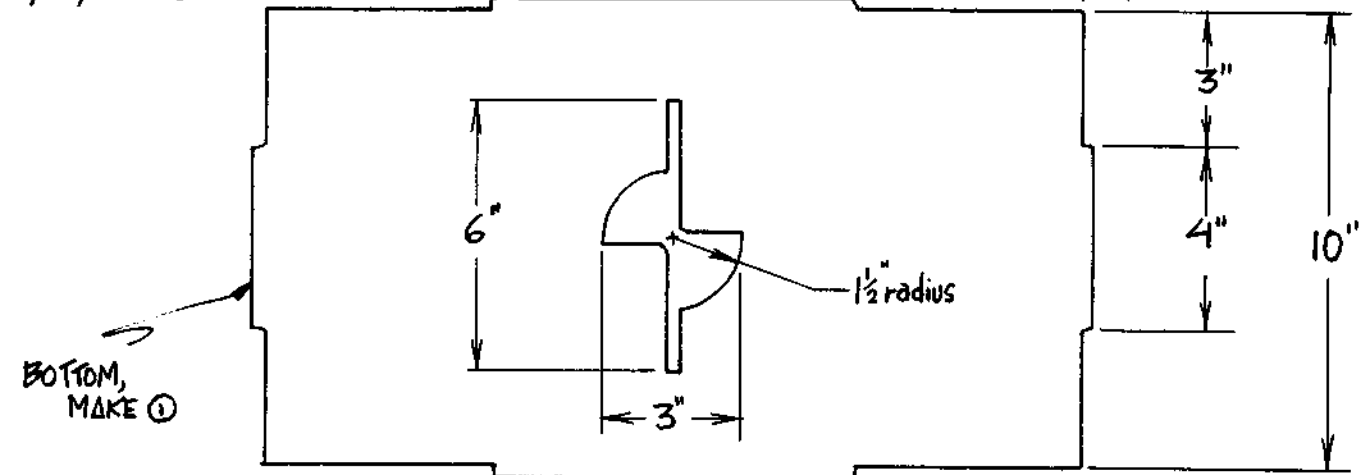
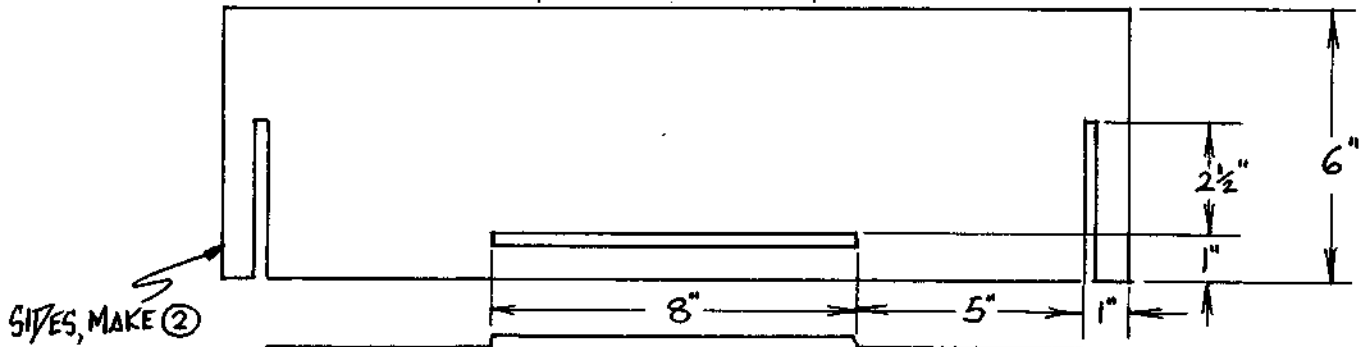
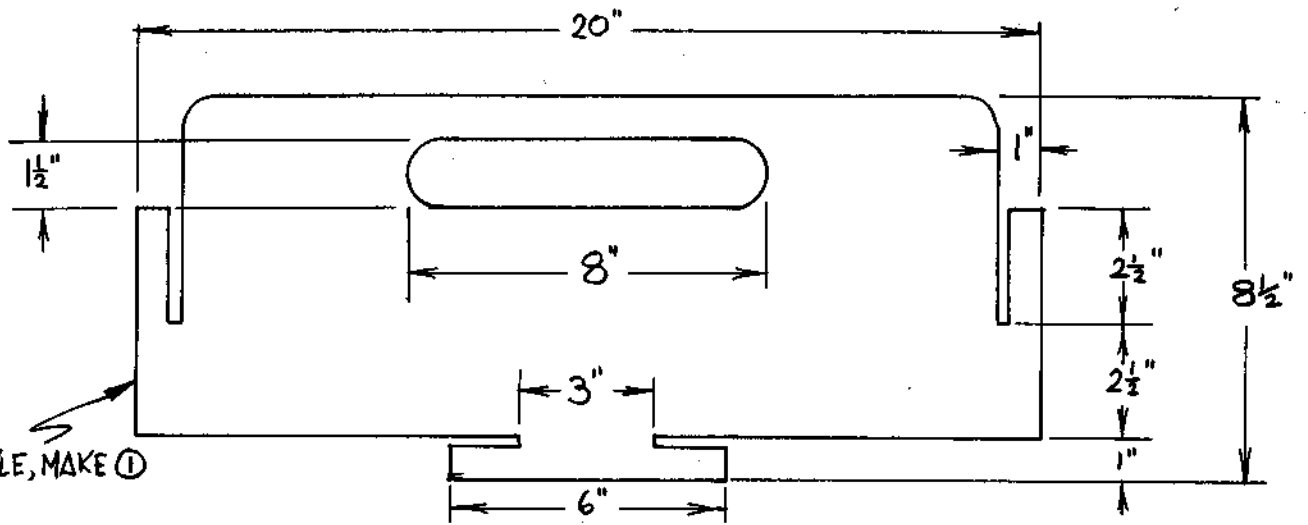


HANDLE
HOLE



BOX #2
FOR
NAILS & SCREWS





Notes: IF YOU USE 3/8" PLYWOOD, SLOTS WILL BE SLIGHTLY OVER 3/8" WIDE. IF YOU USE A DIFFERENT MATERIAL, MAKE ALL SLOTS SLIGHTLY WIDER THAN MATERIAL THICKNESS.