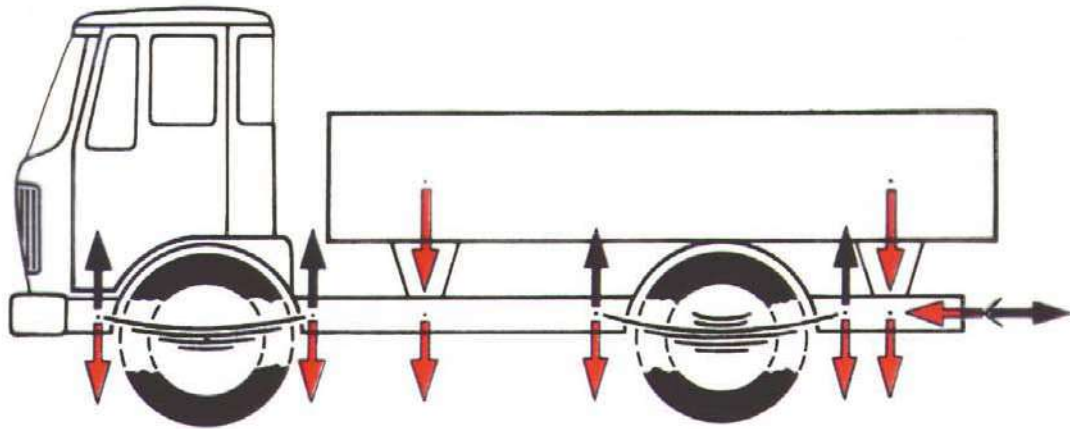
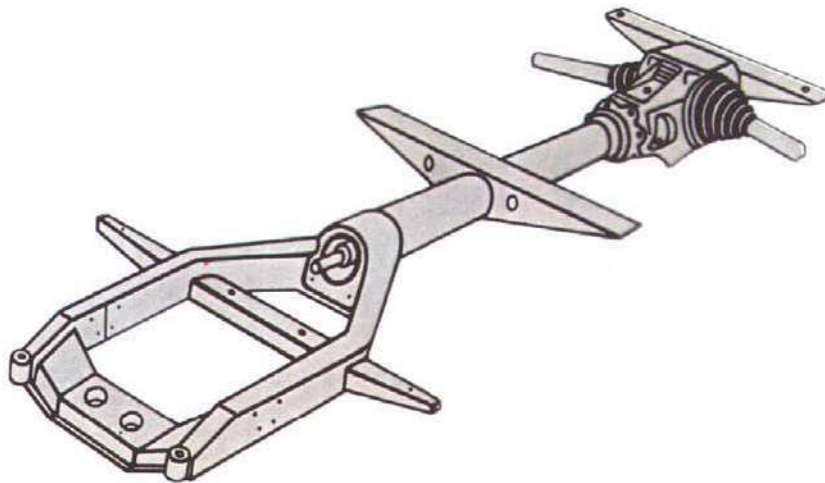


①

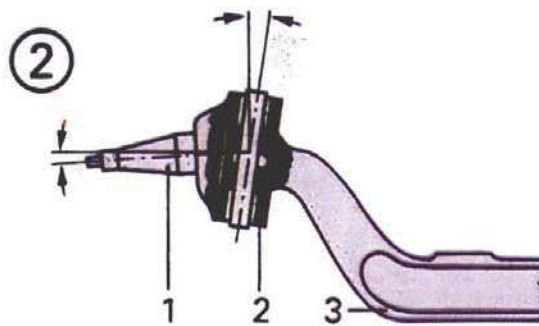
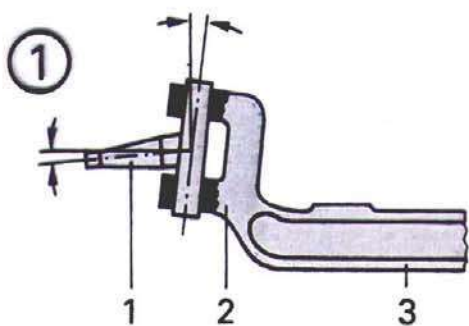


②

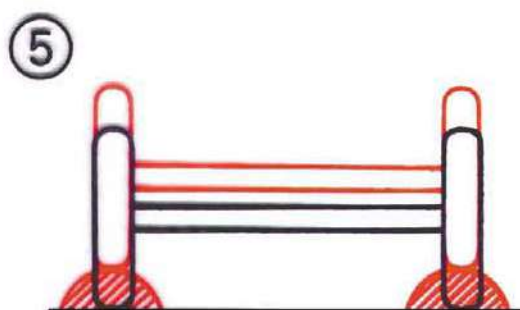
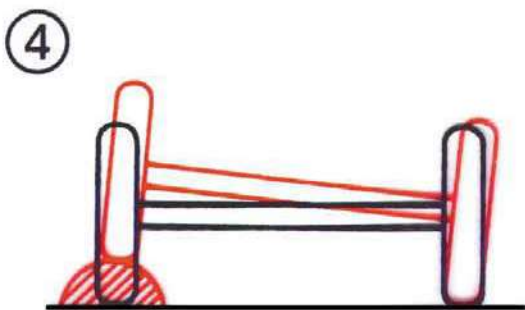
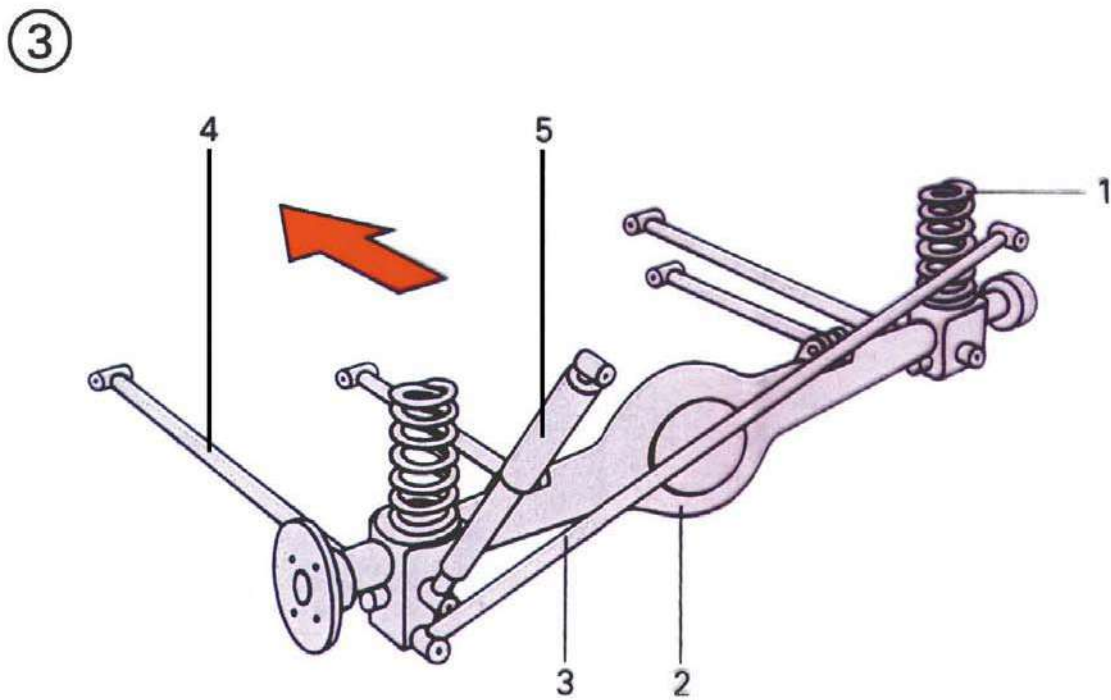


③

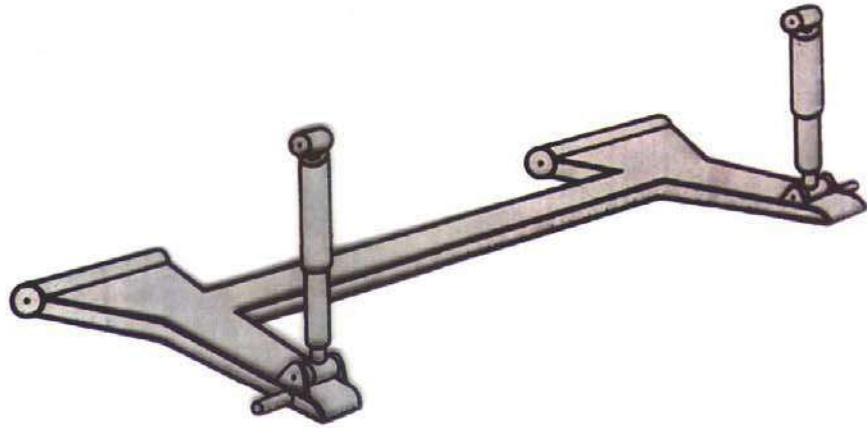




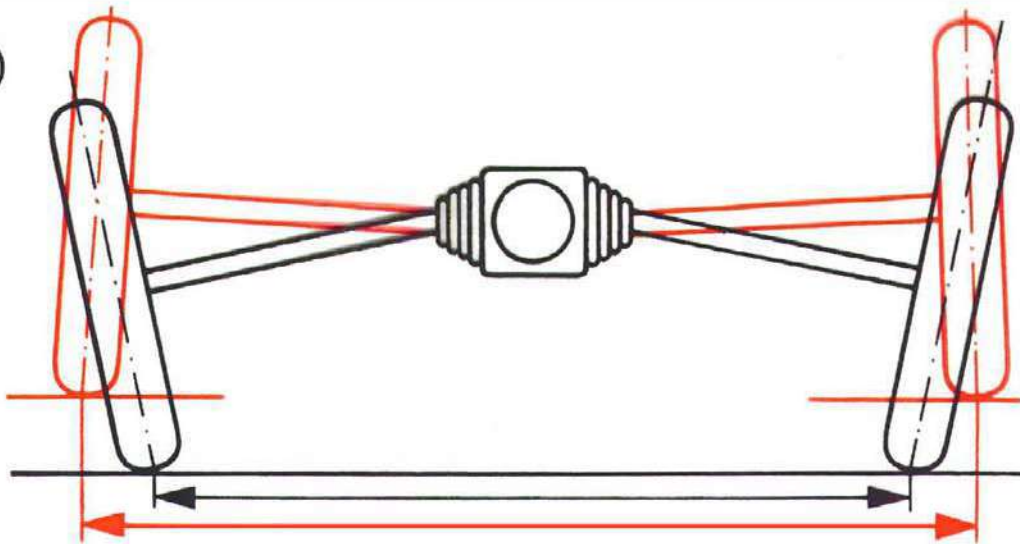
0



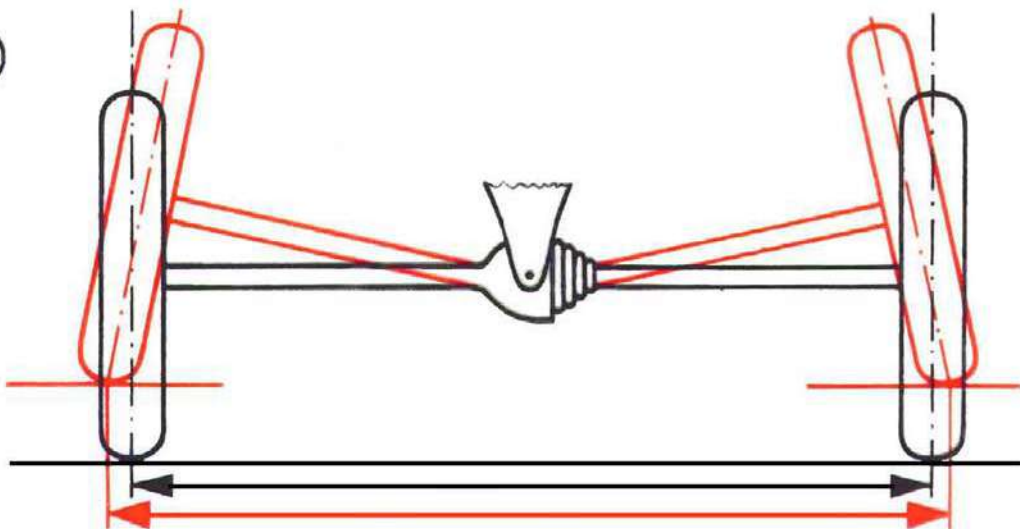
①

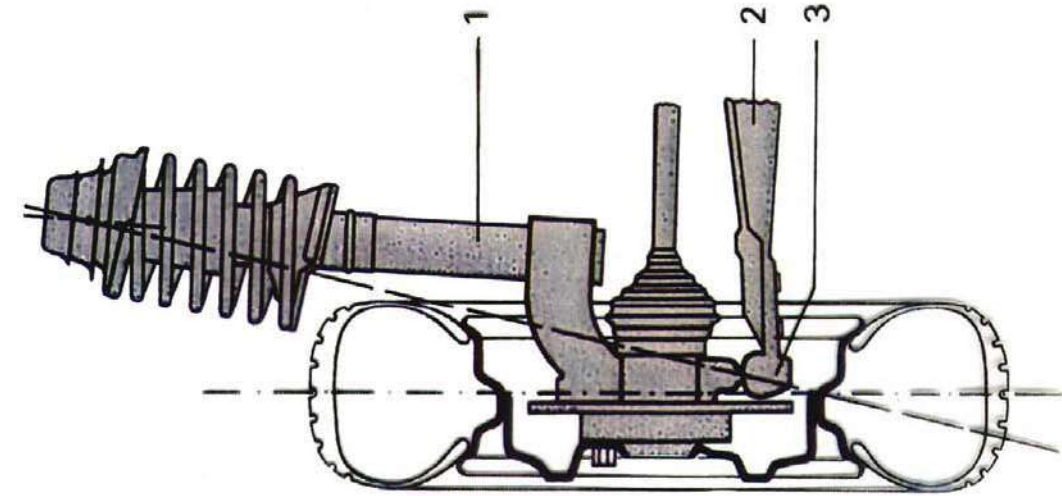


②

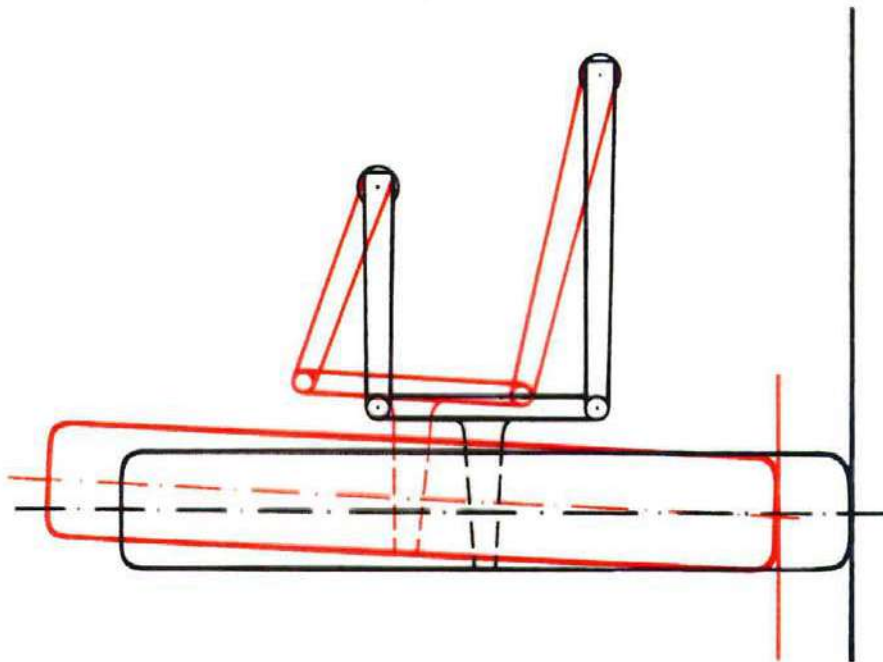


③



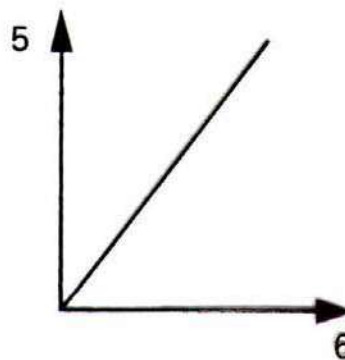
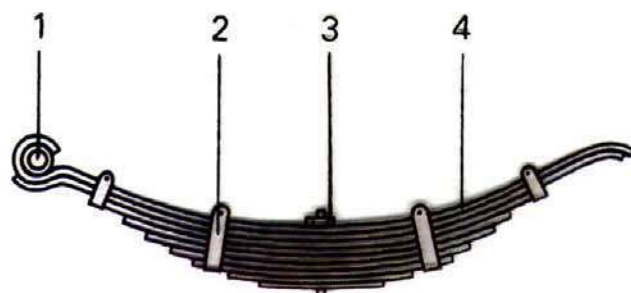


②

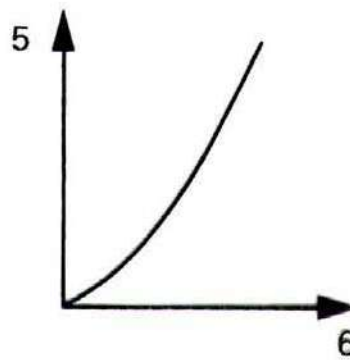
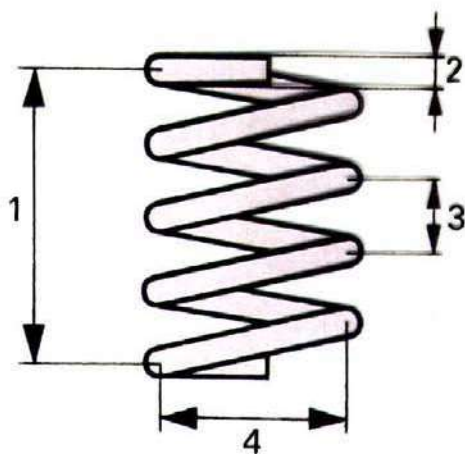


①

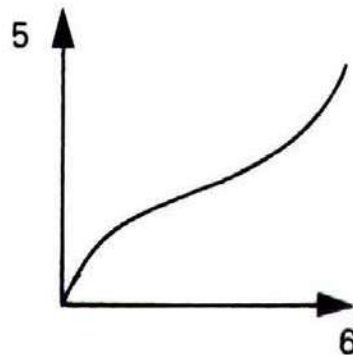
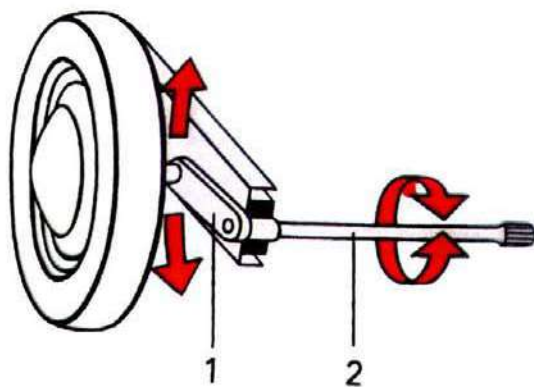
①



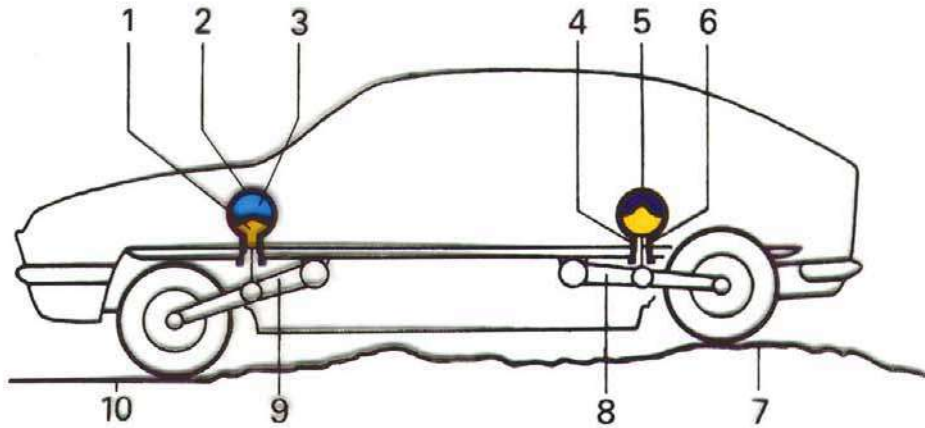
②



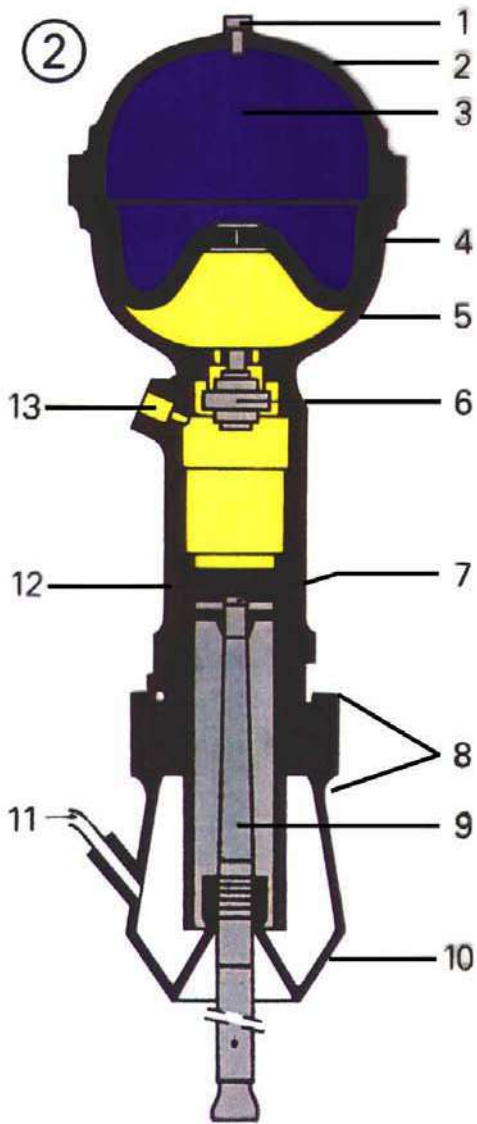
③



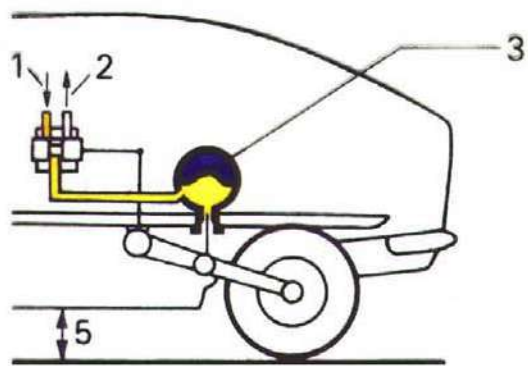
①



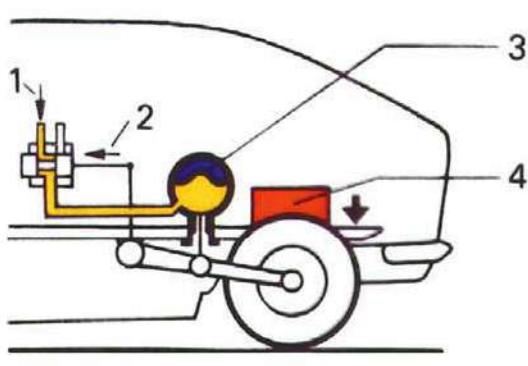
②



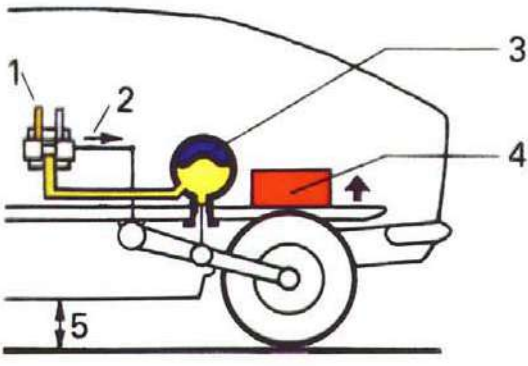
③

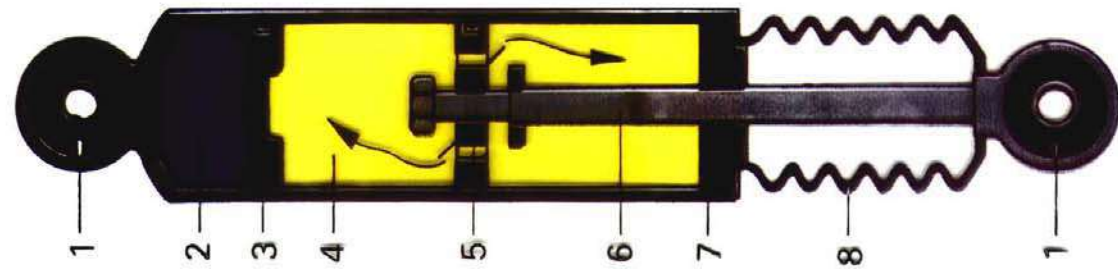


④

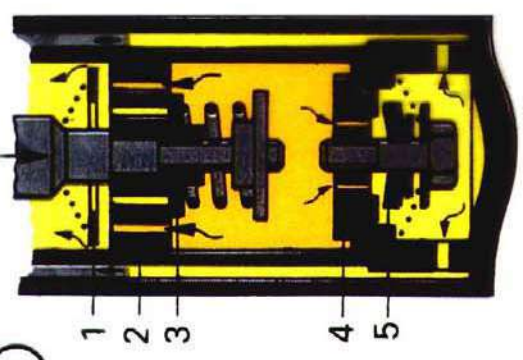


⑤

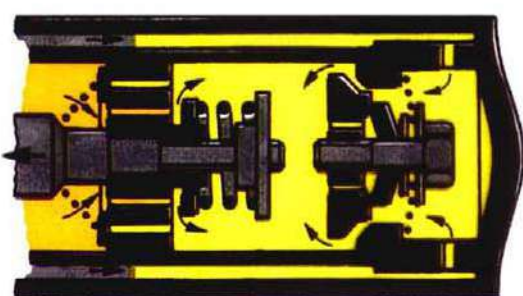




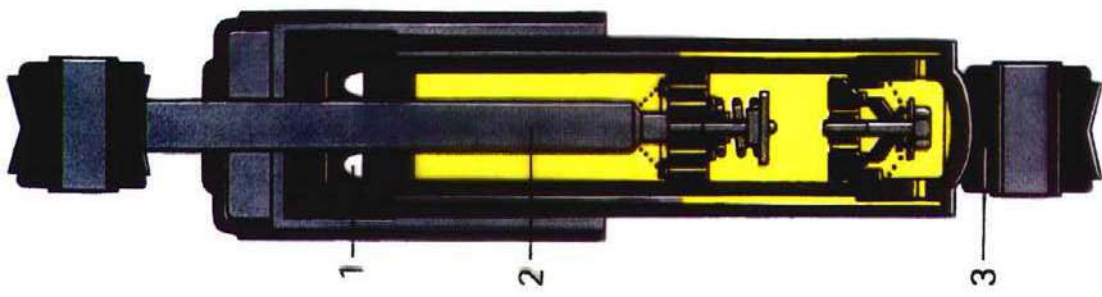
④



②

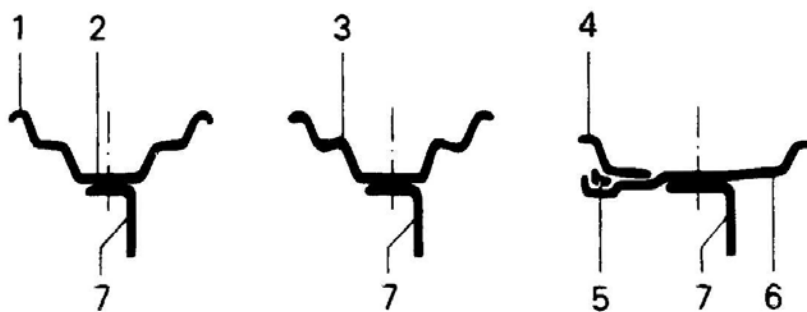


③



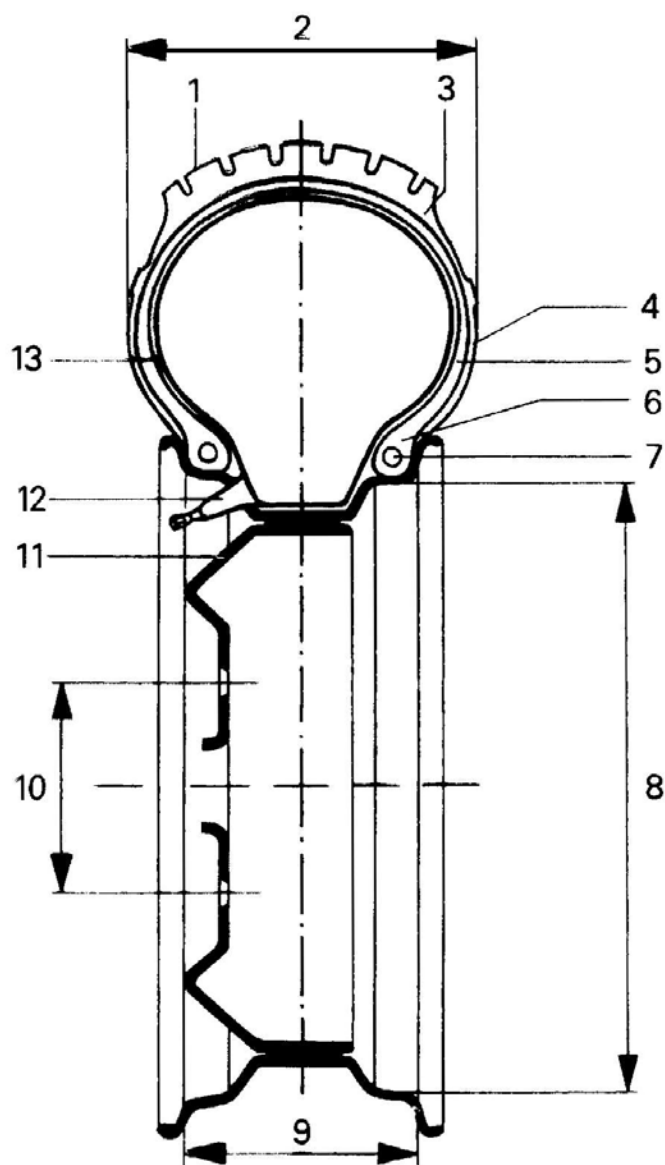
①

①

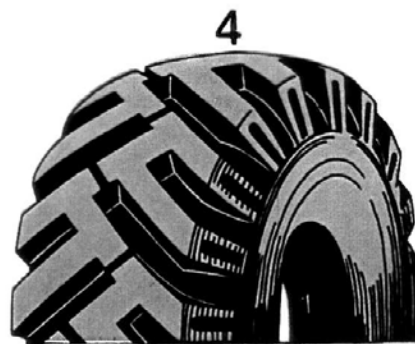
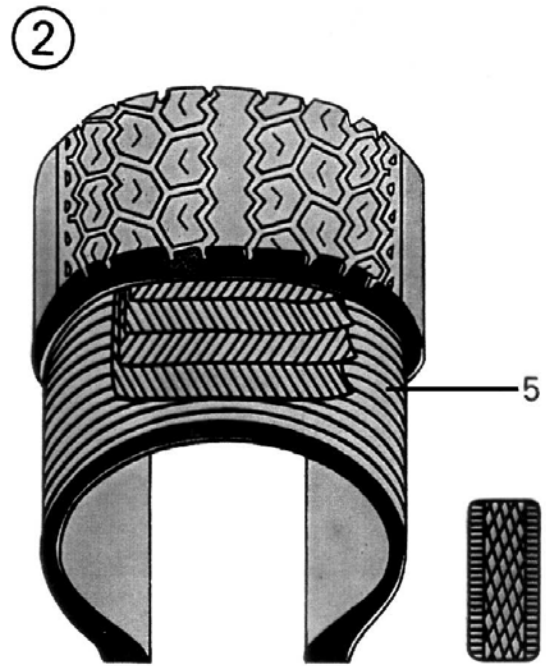
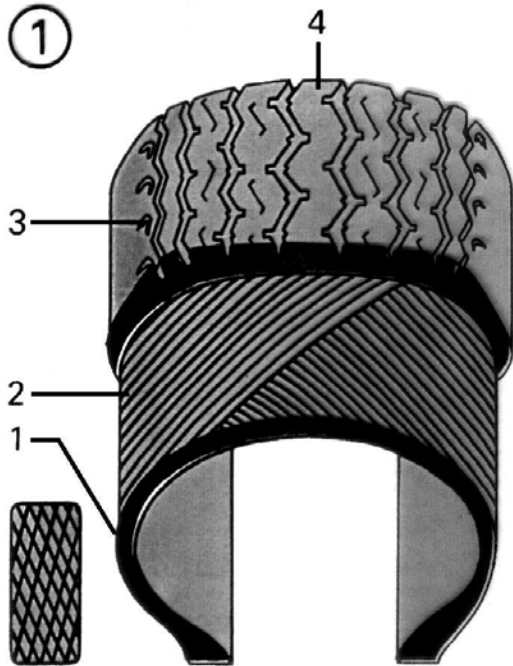


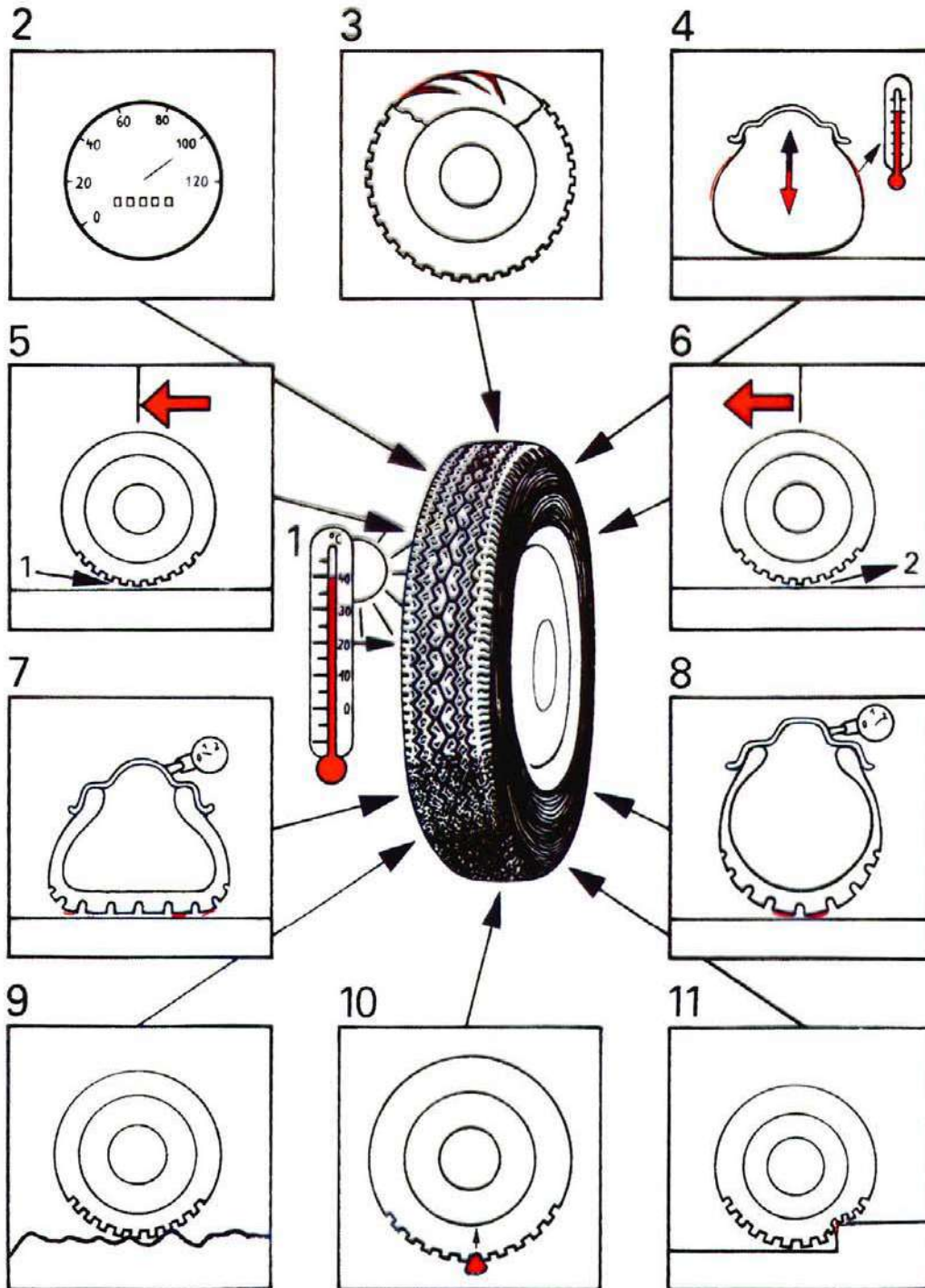
0

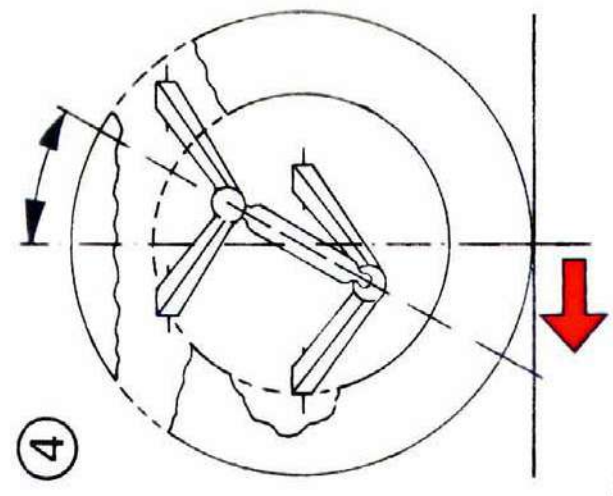
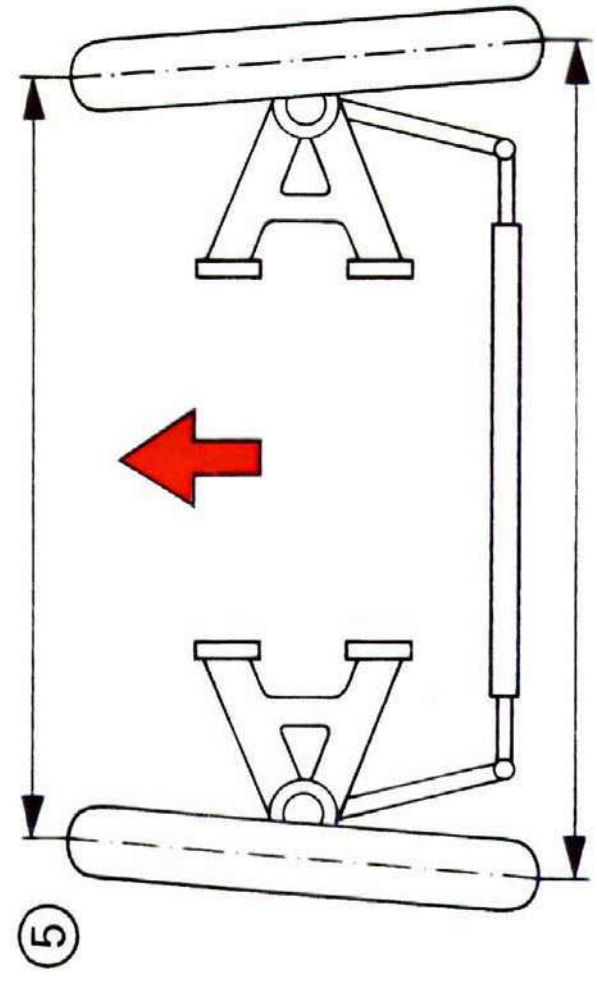
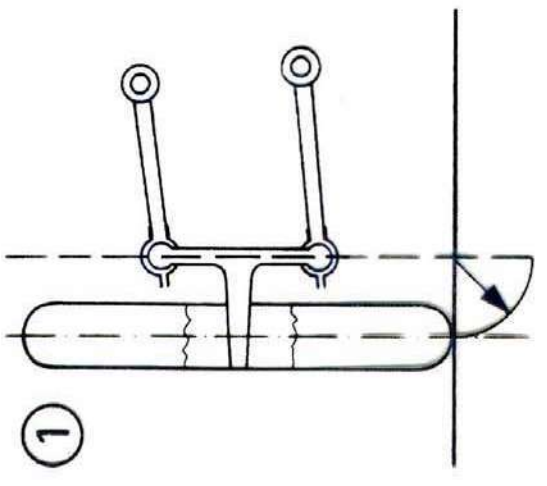
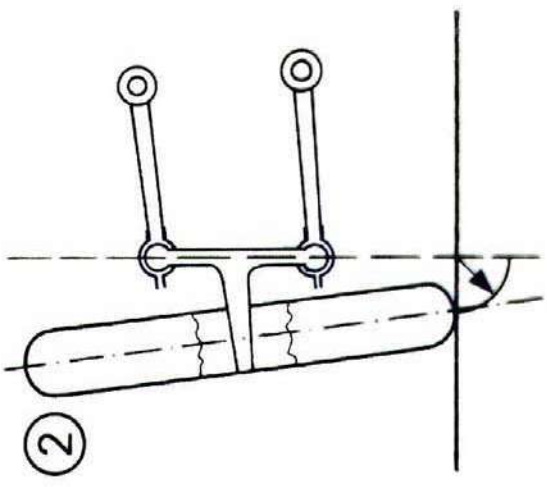
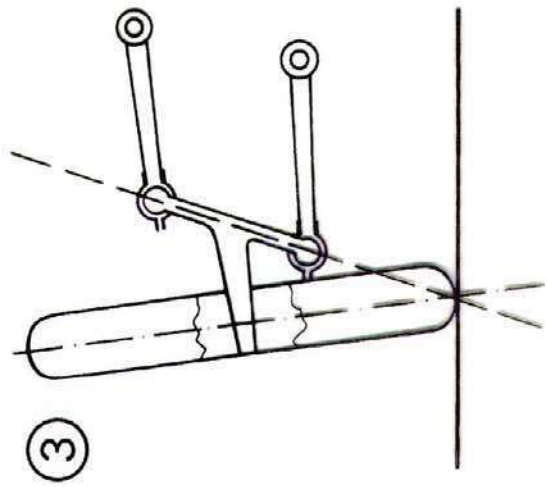
②

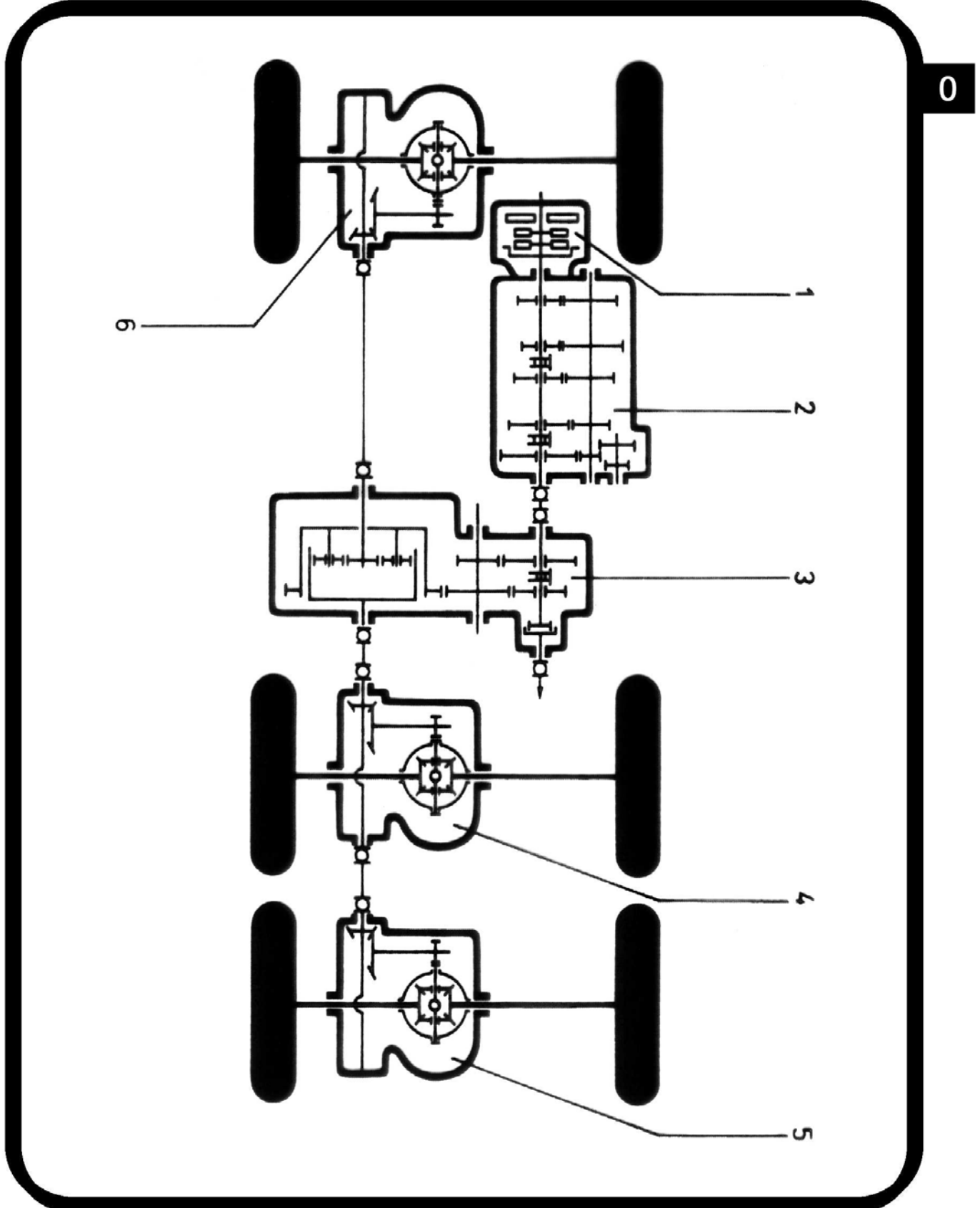




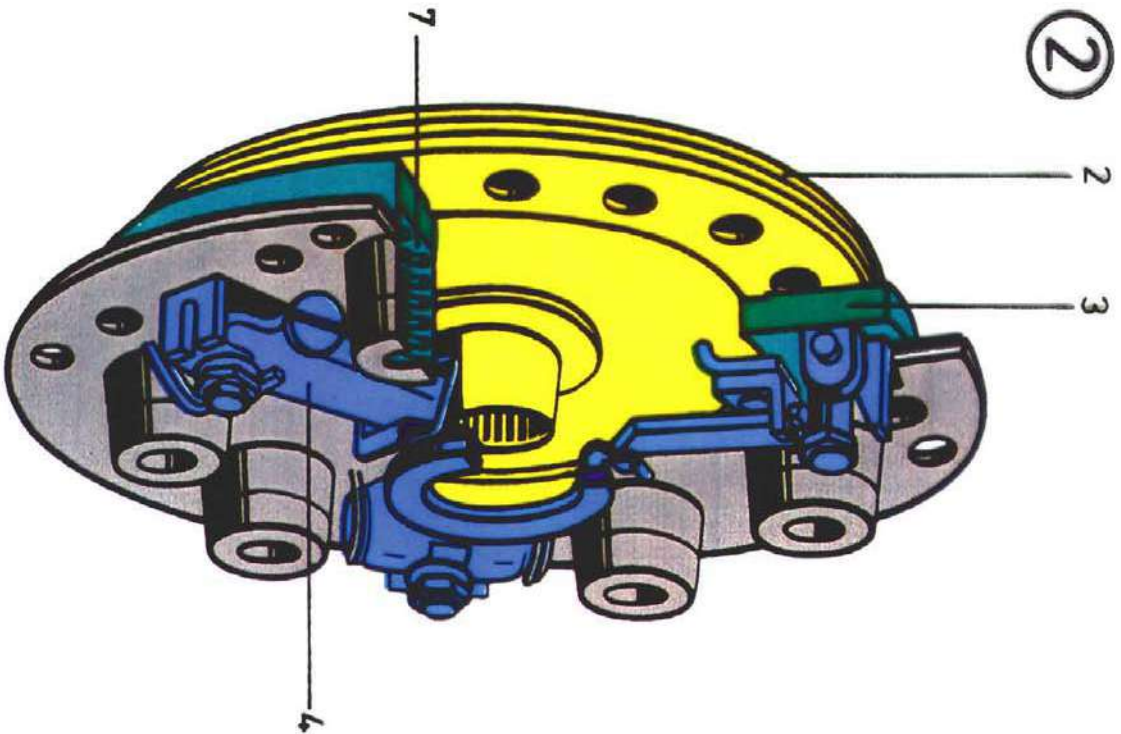
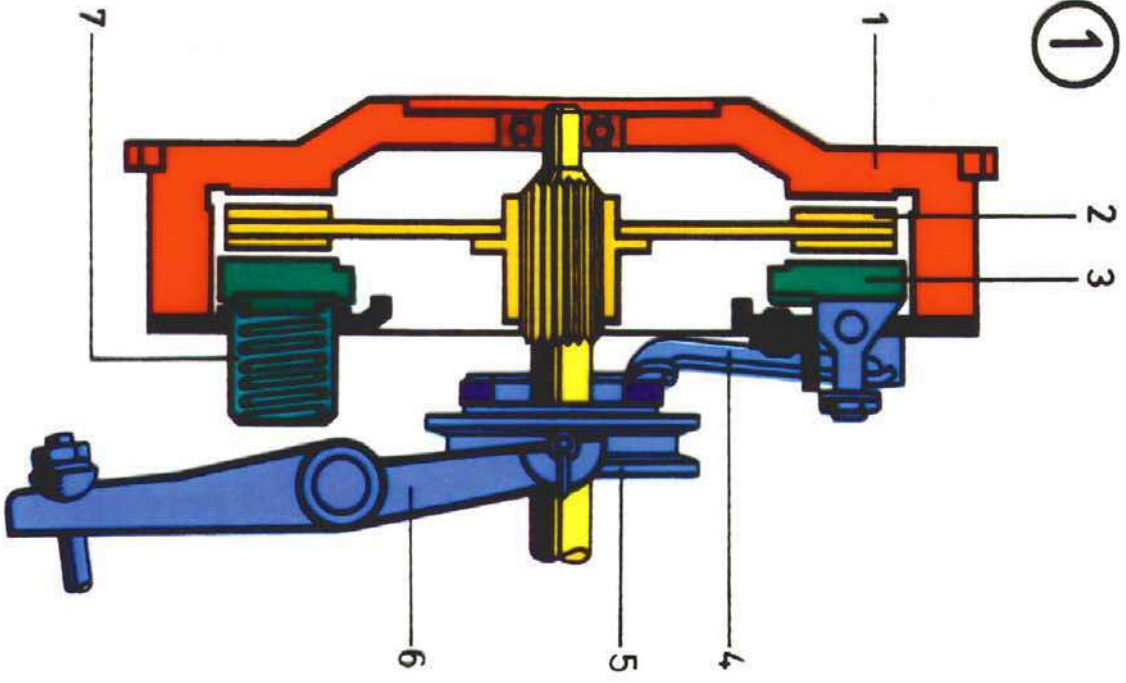


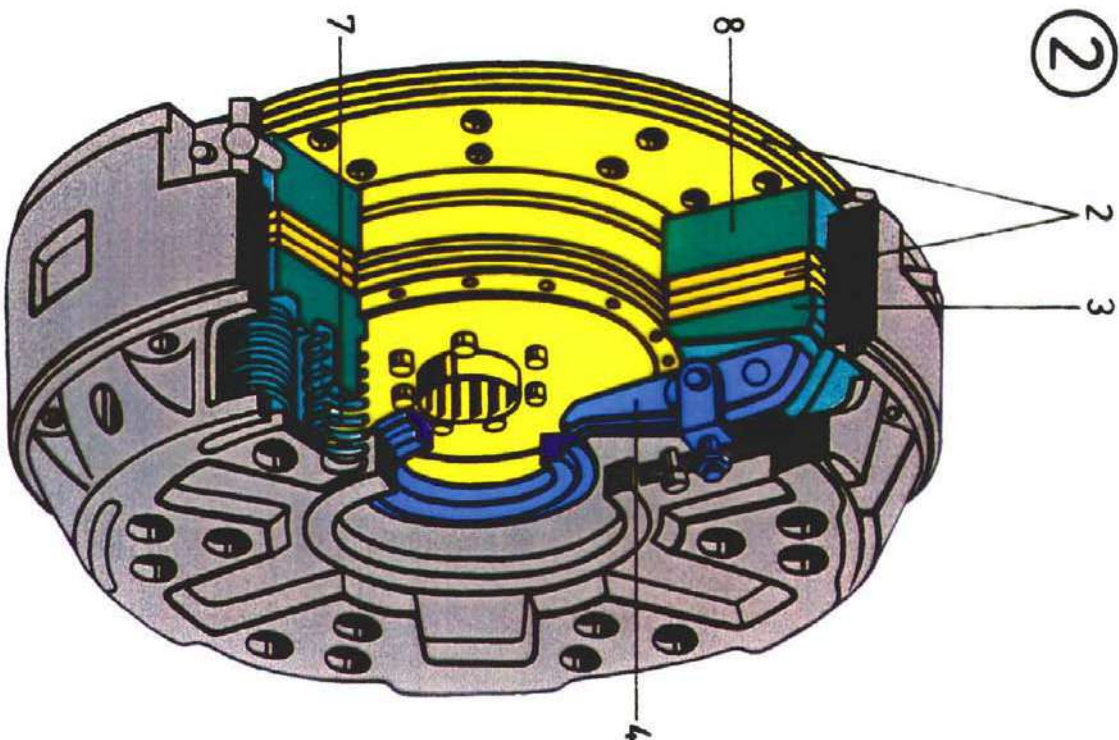
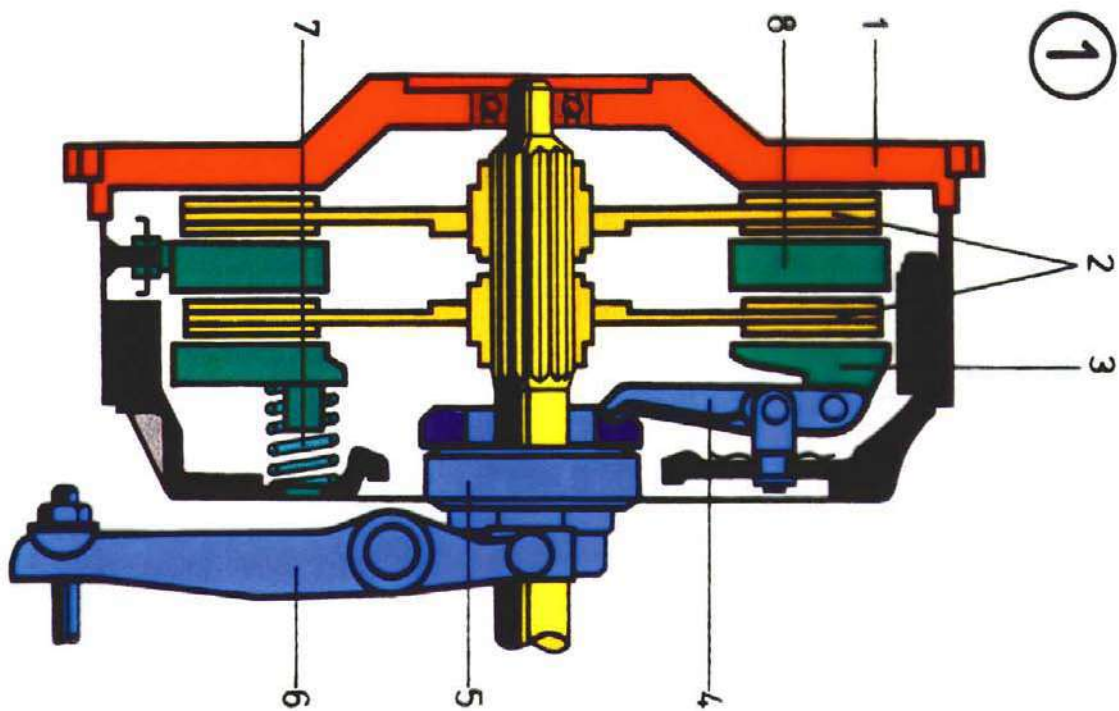




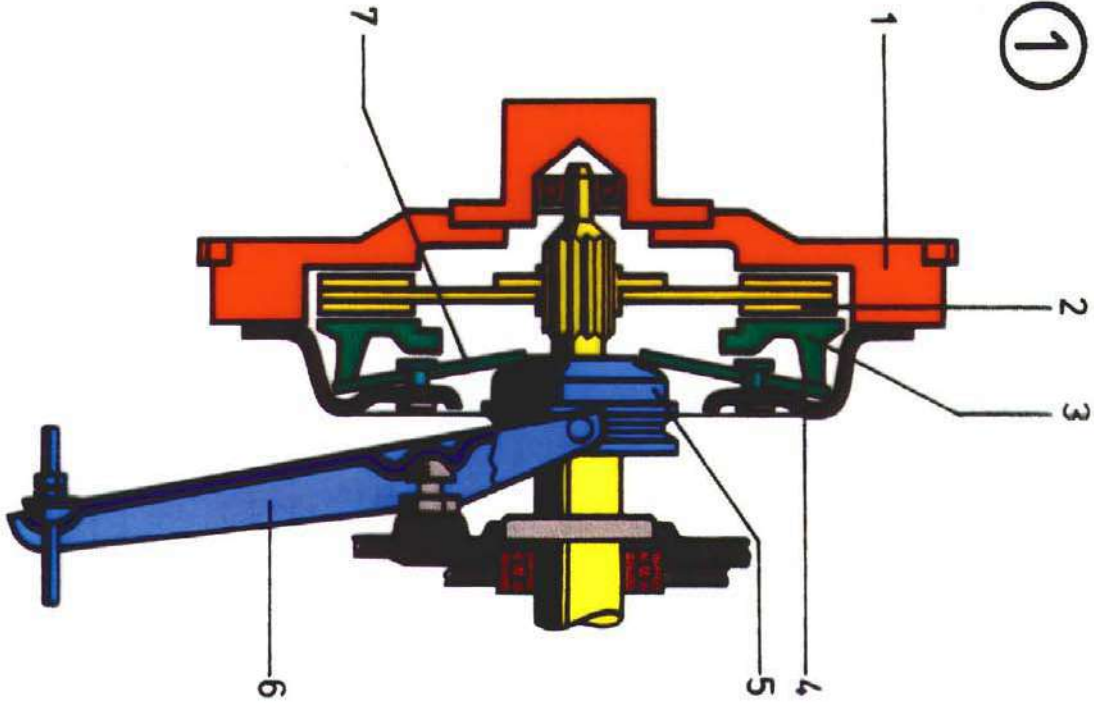


0

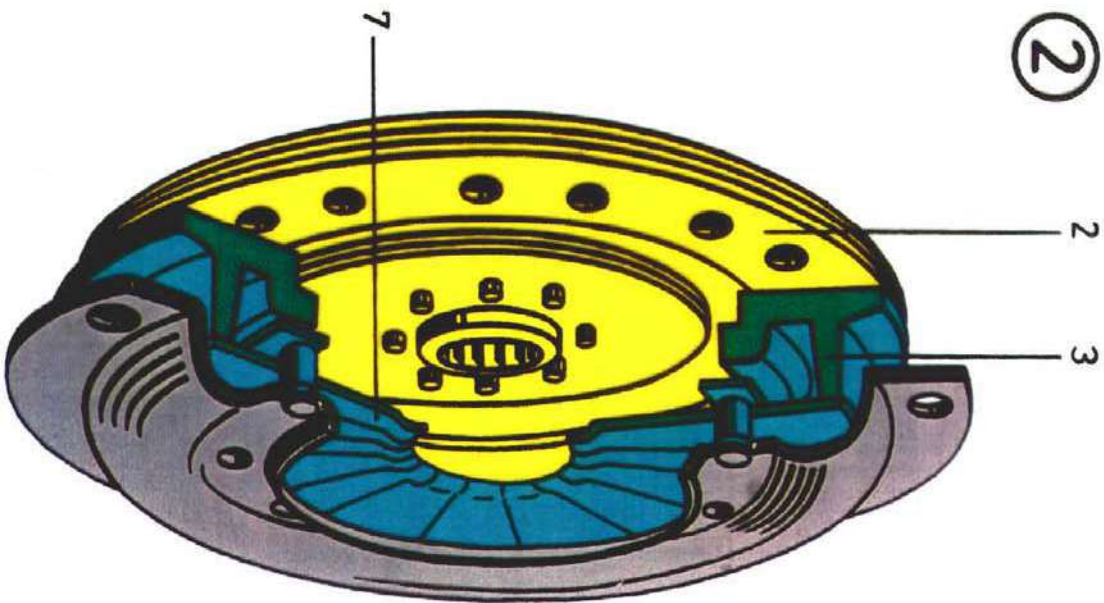


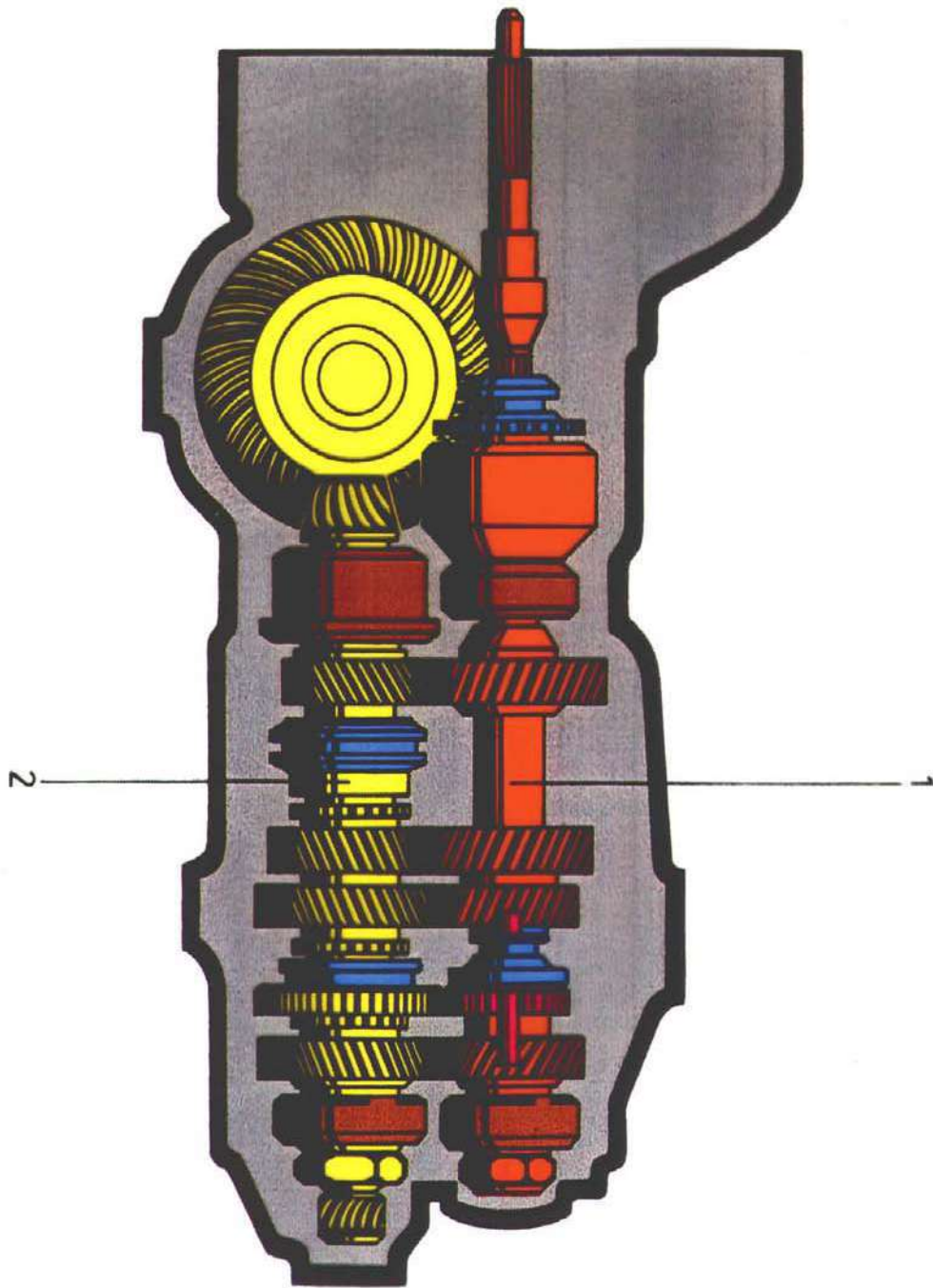


①

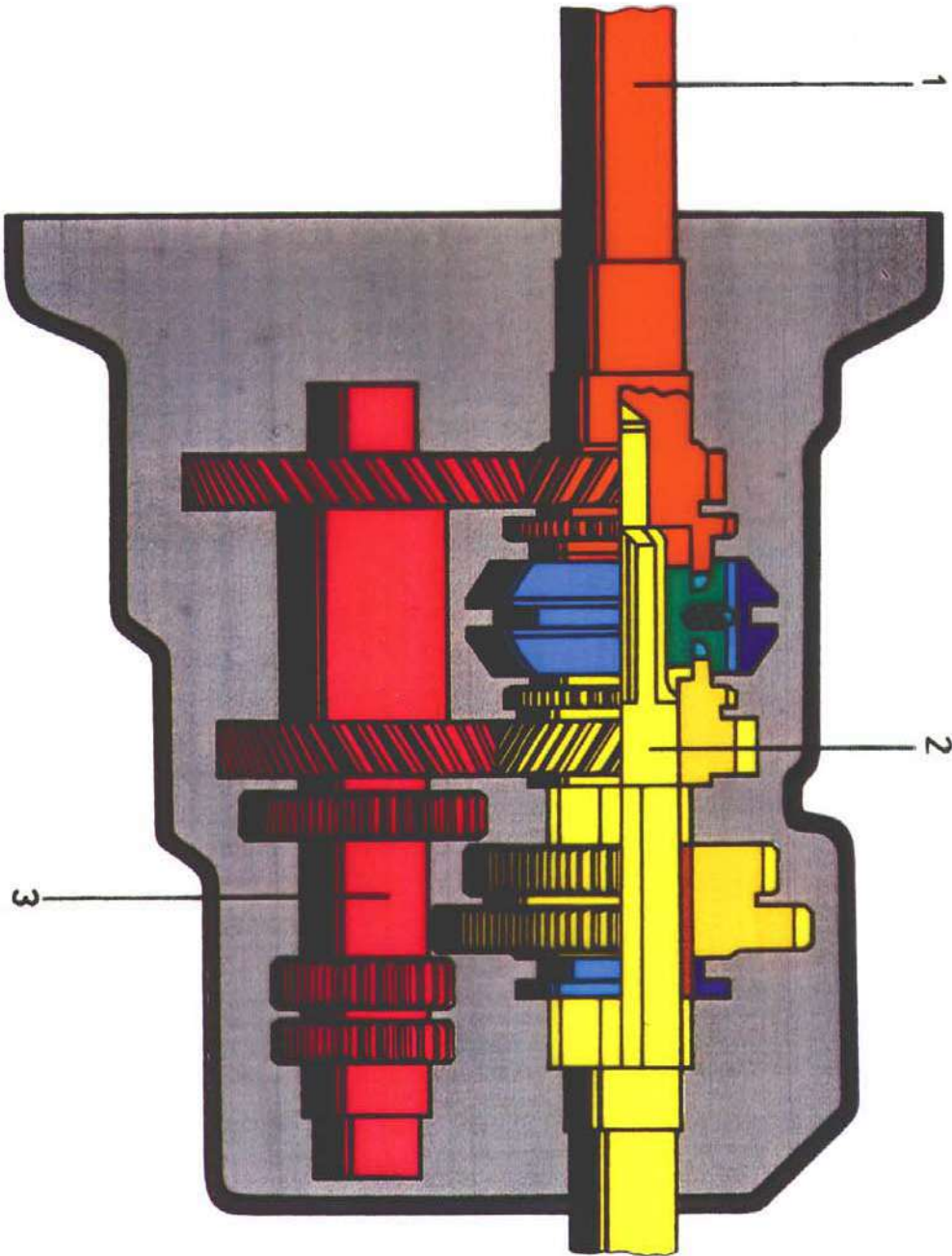


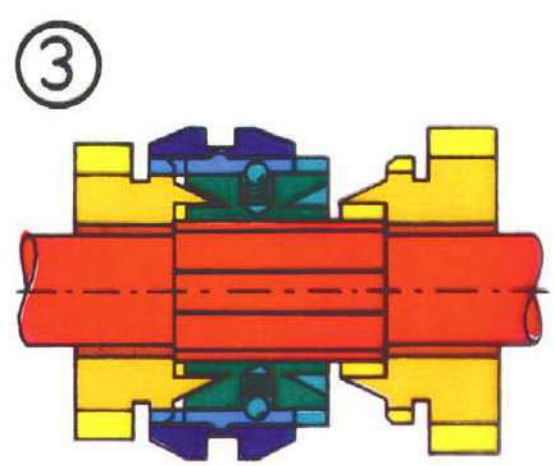
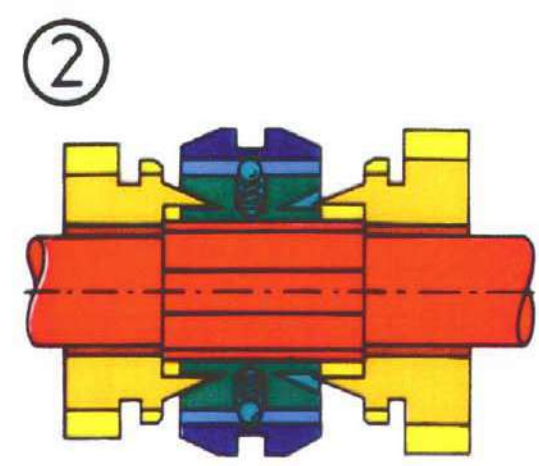
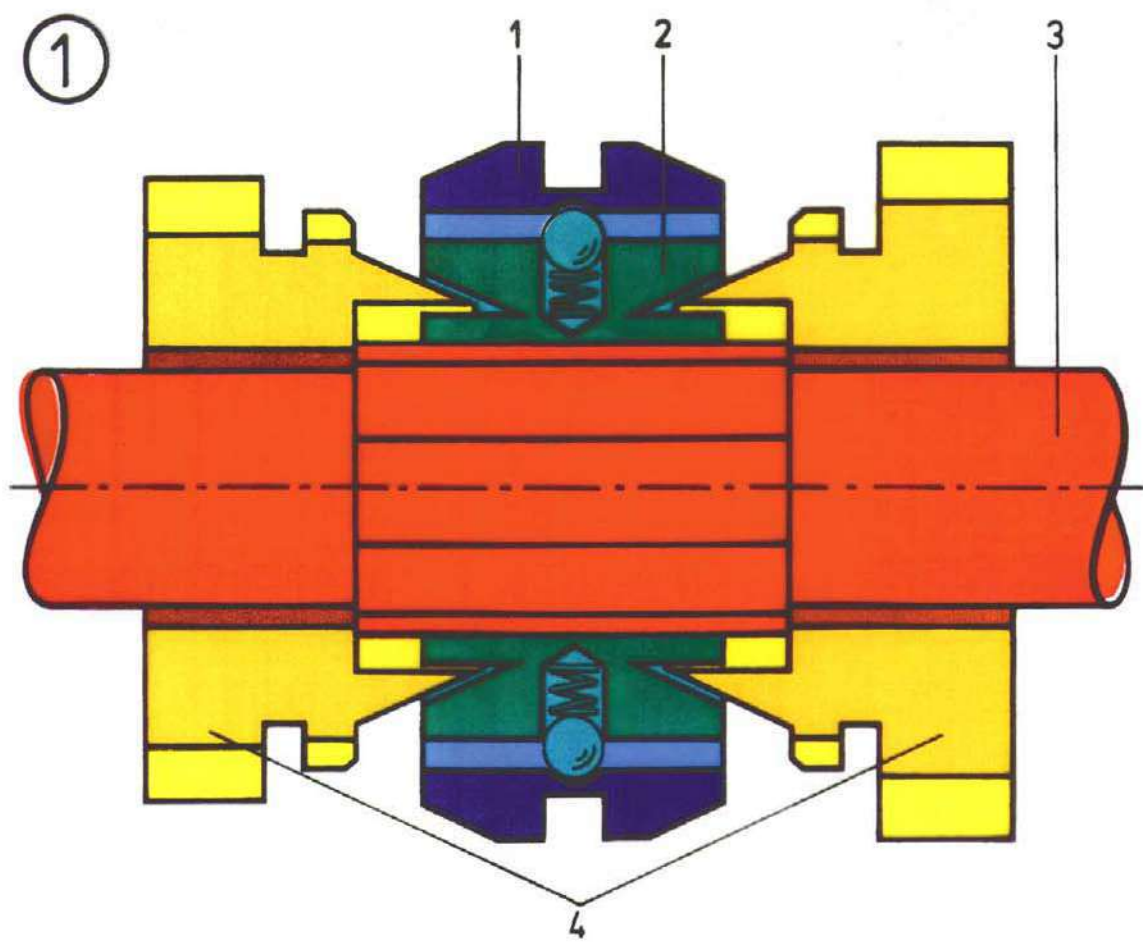
②



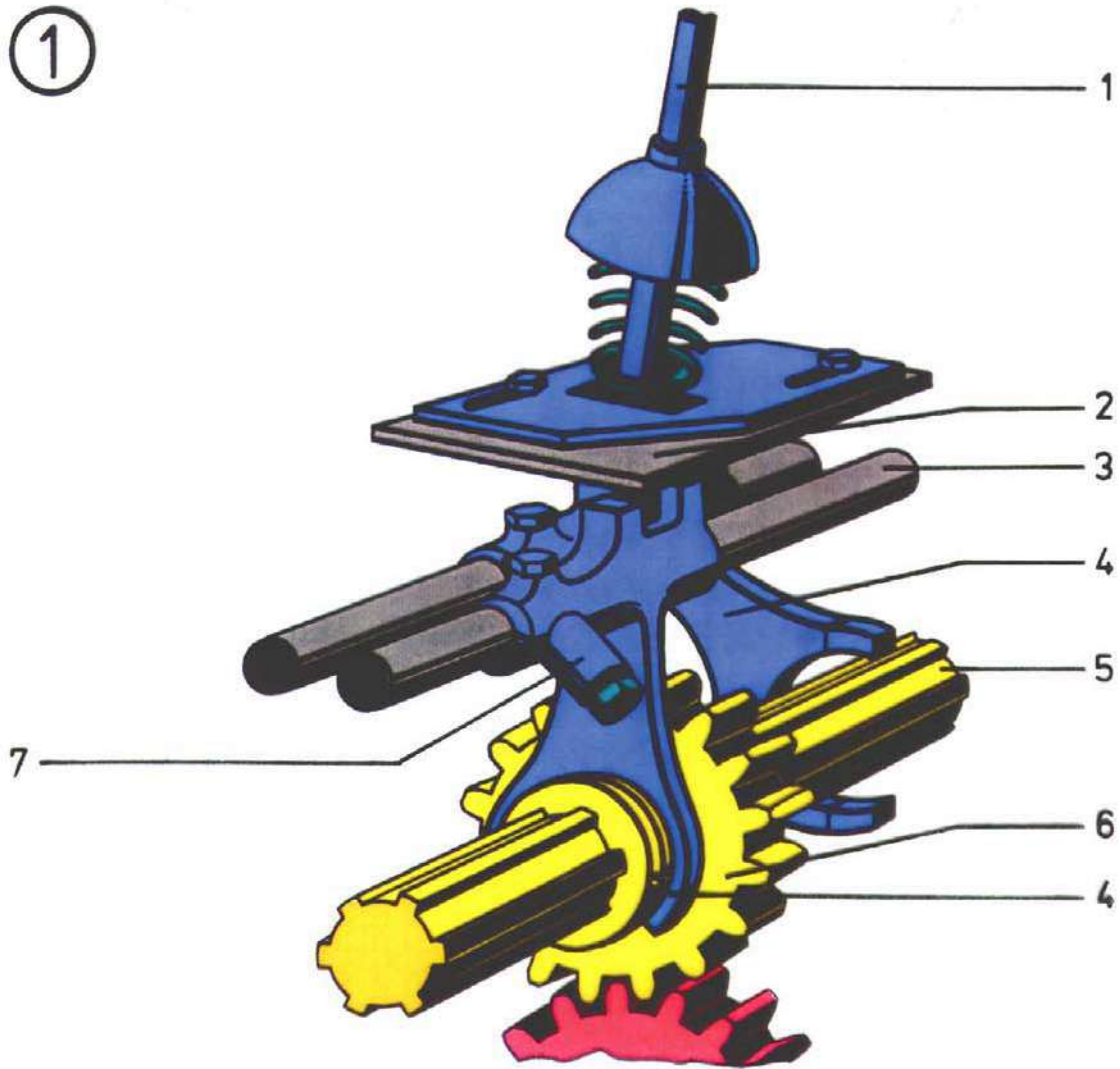




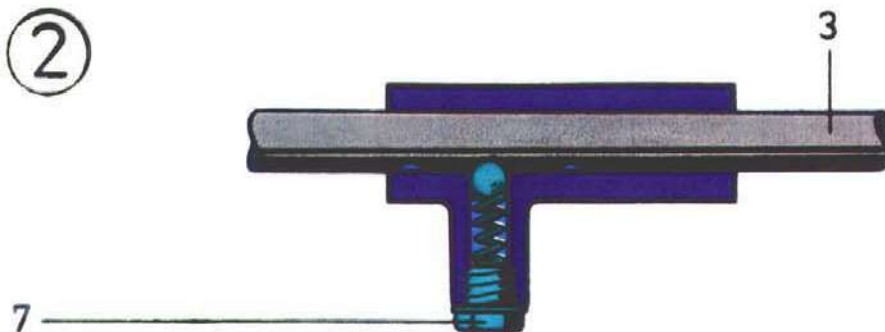




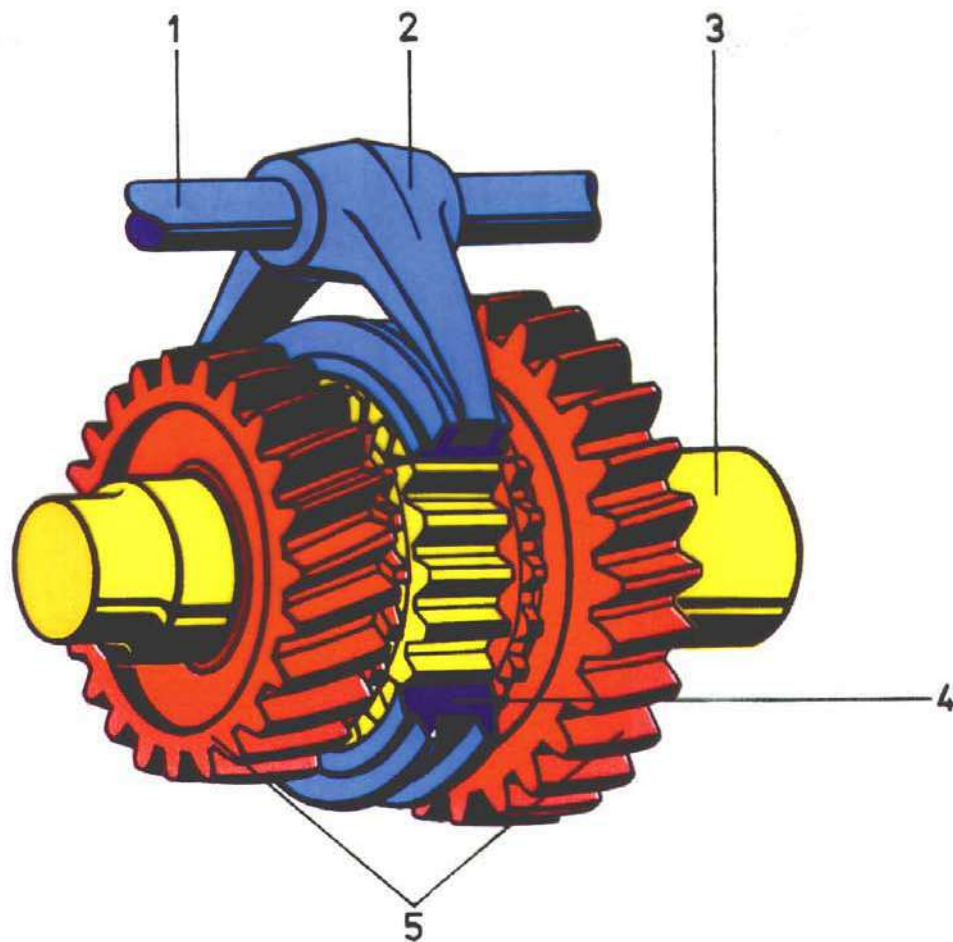
①



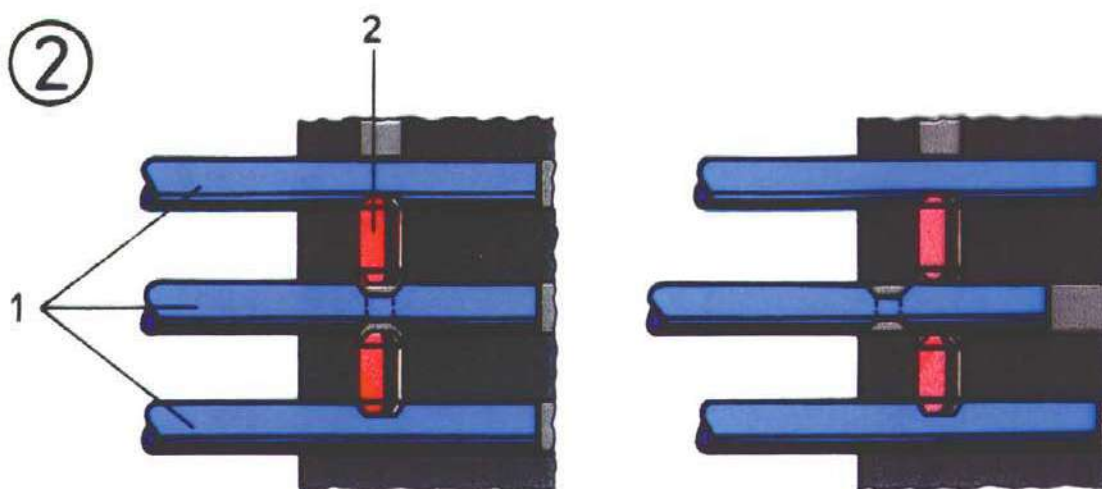
②



①

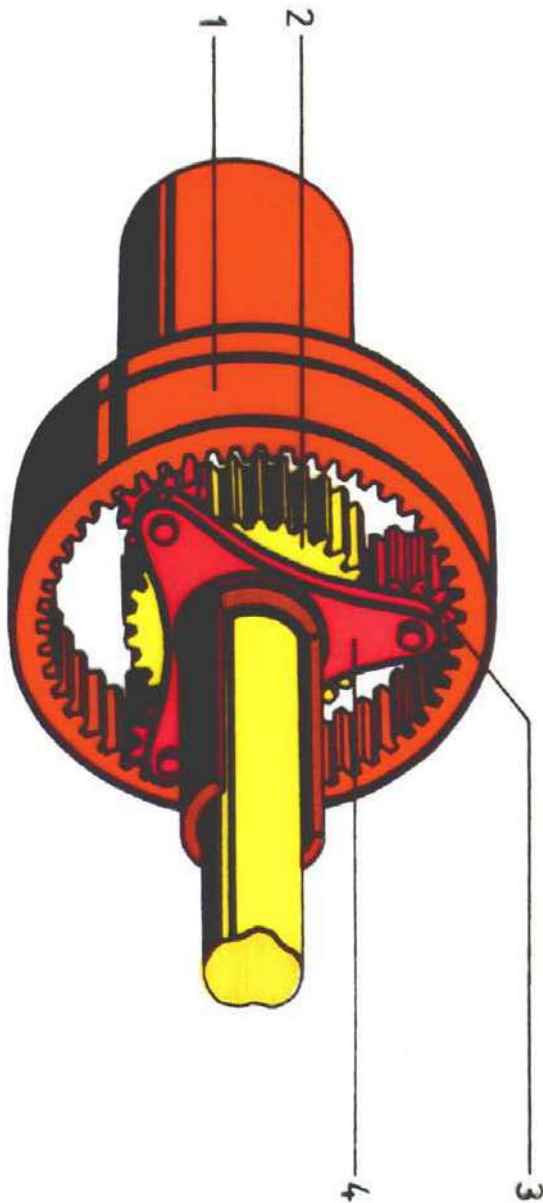


②

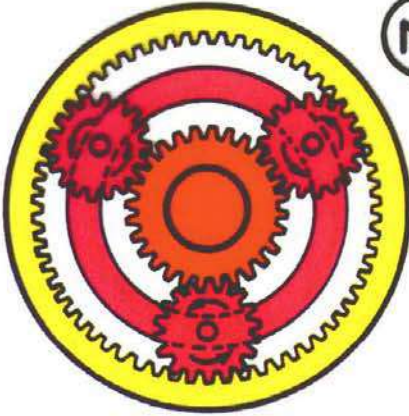


0

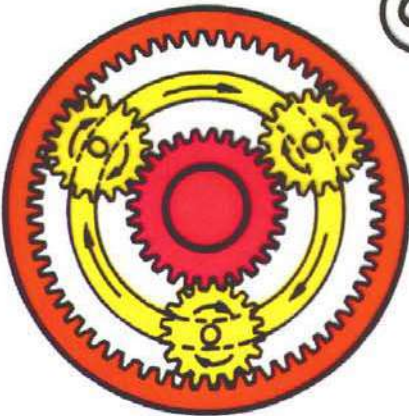
1



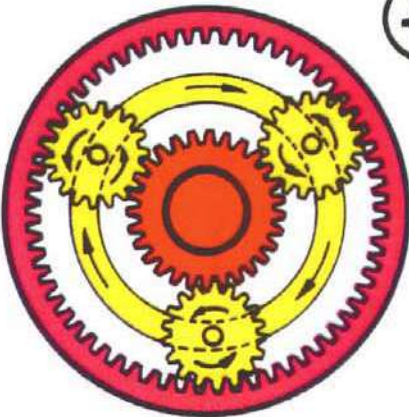
2

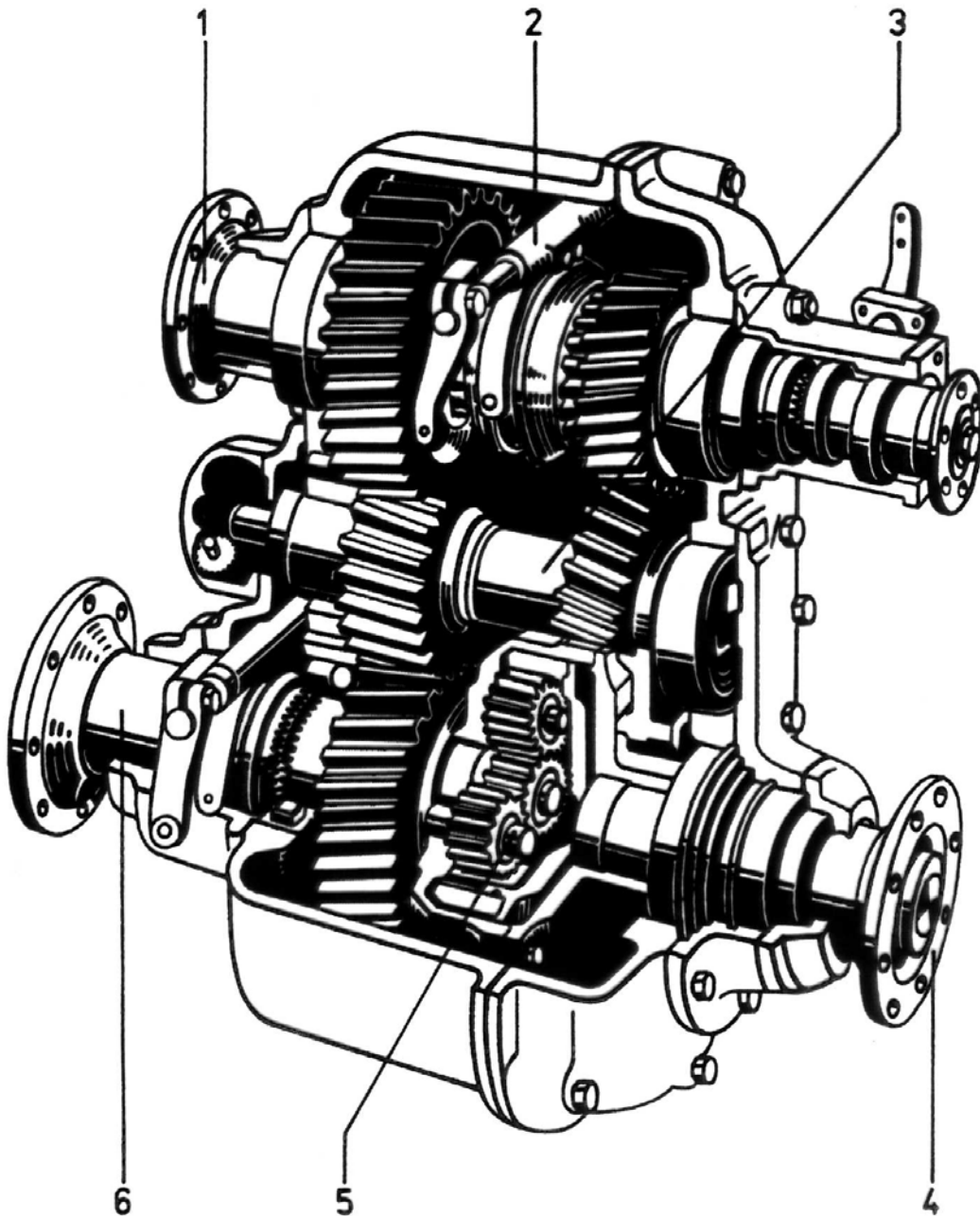


3

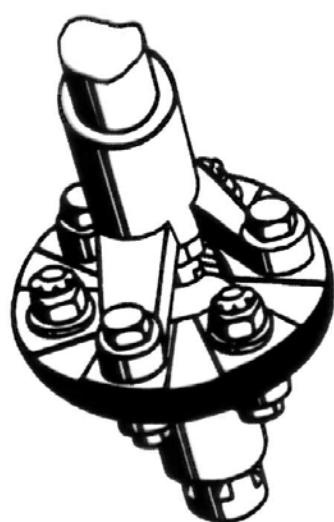


4

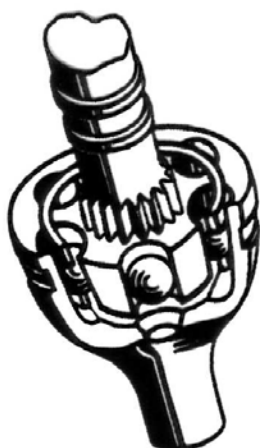




0



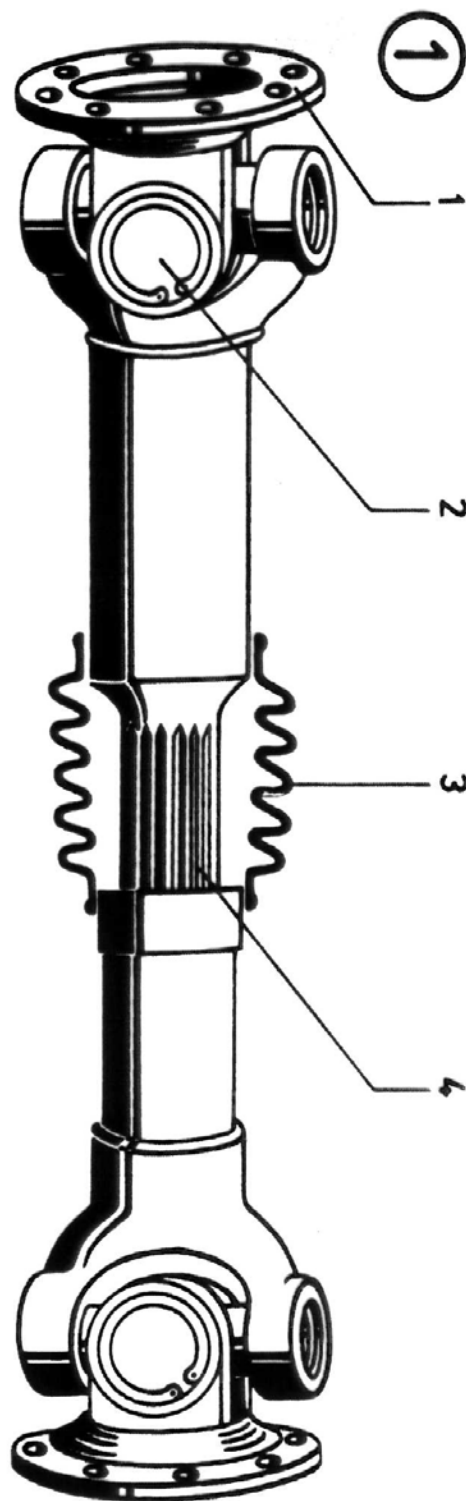
②



③



④



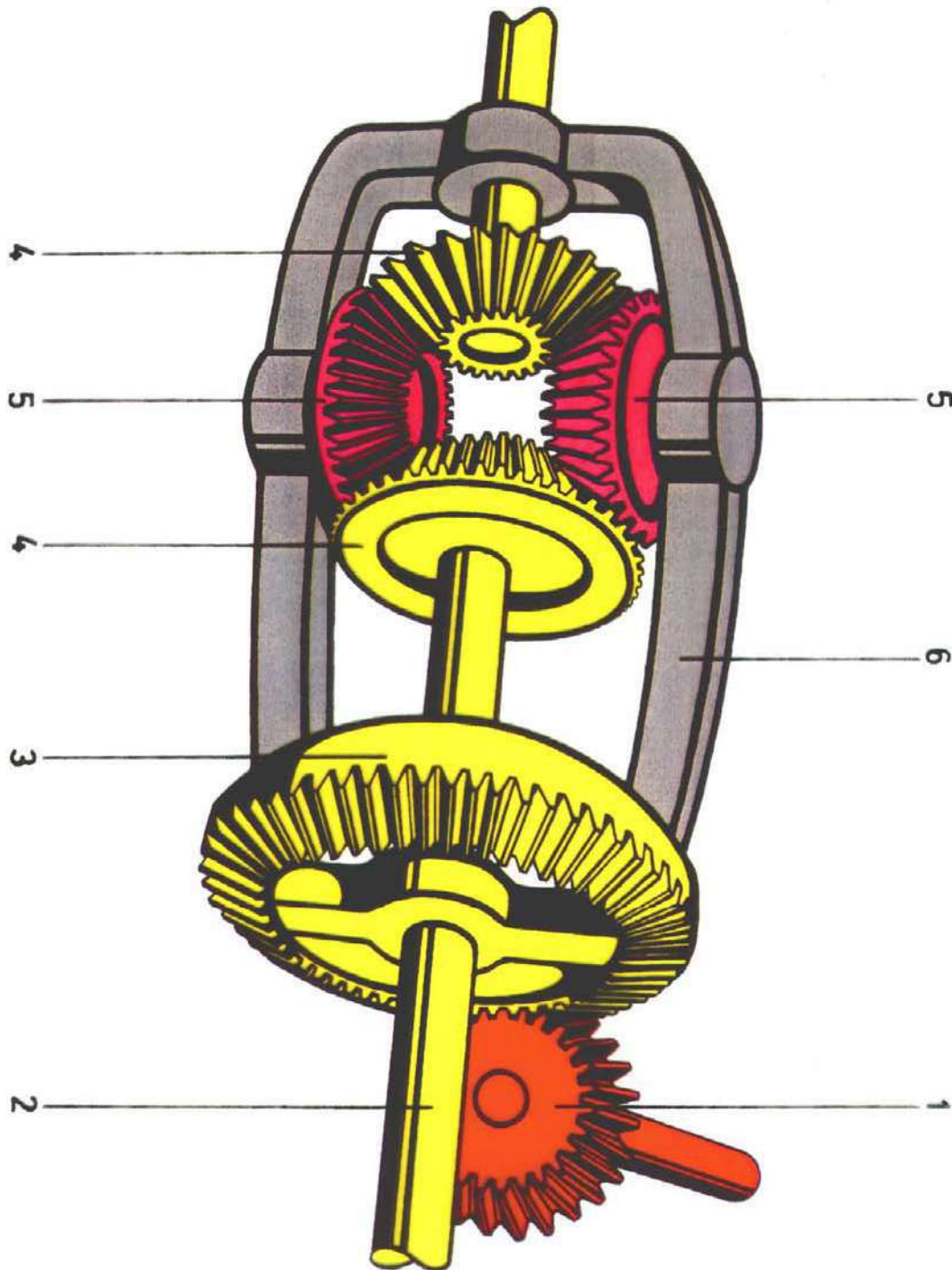
①

1

2

3

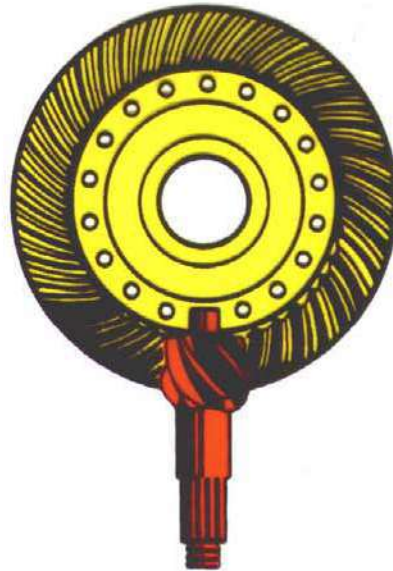
4



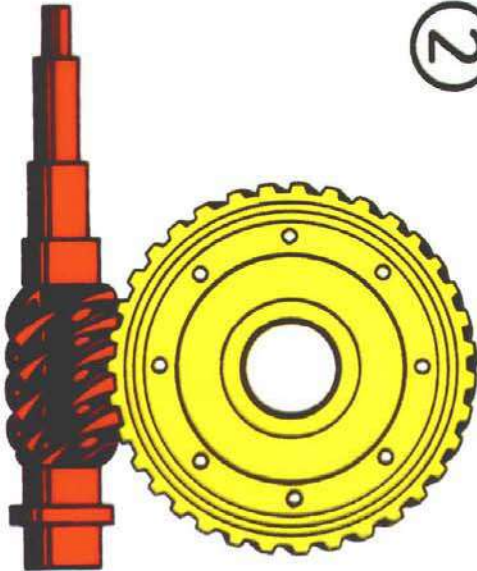


0

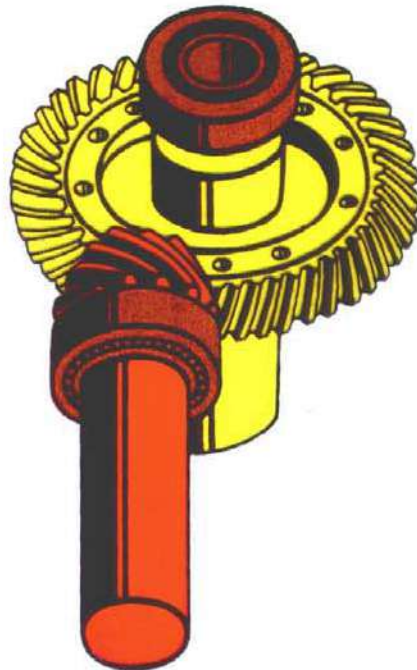
1



2

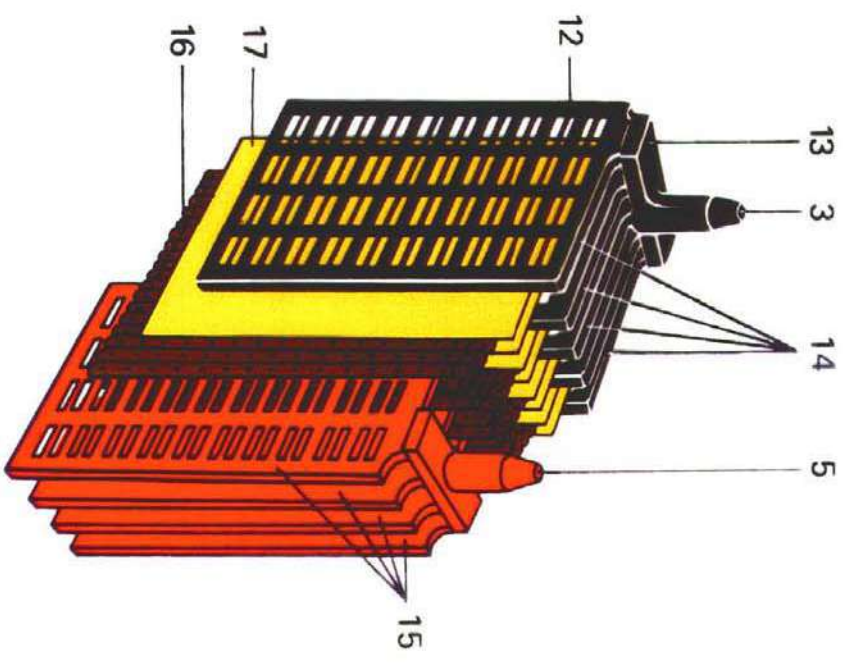
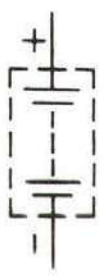
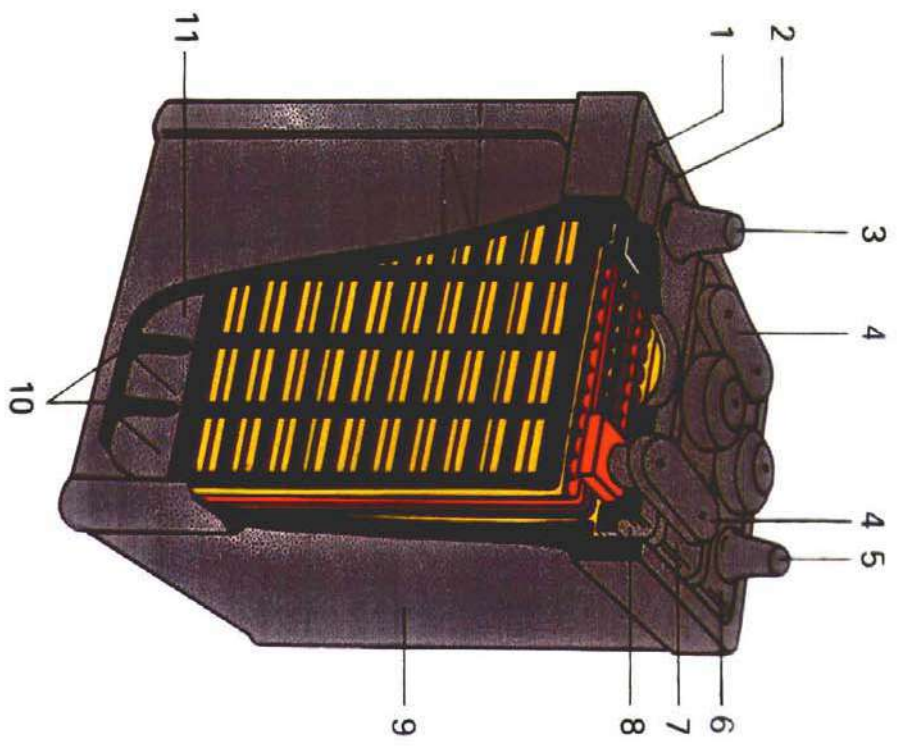


3

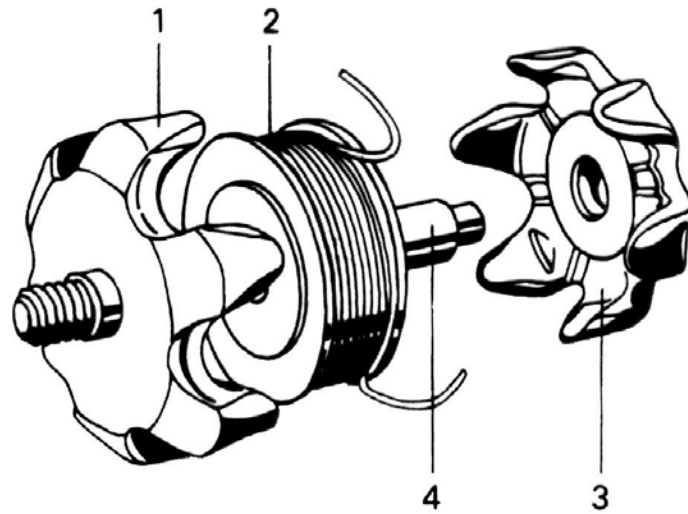


4

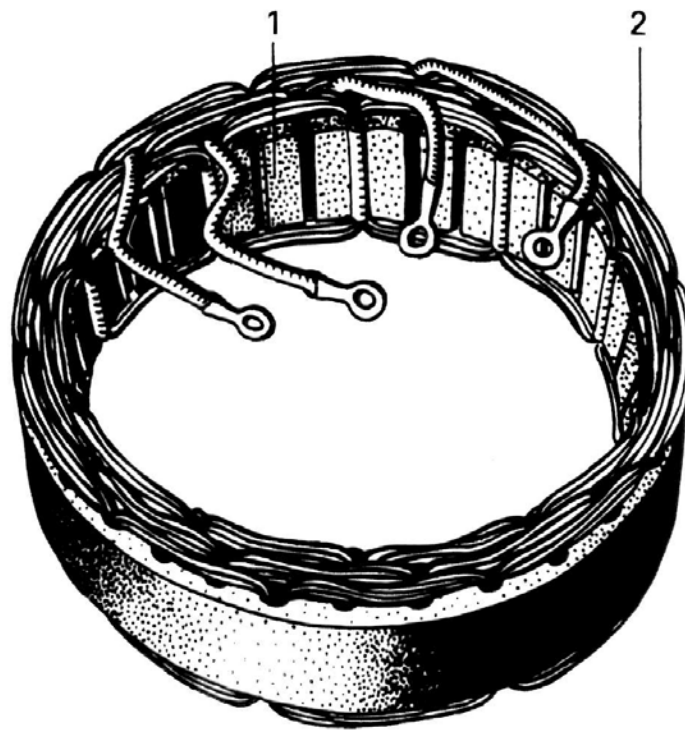


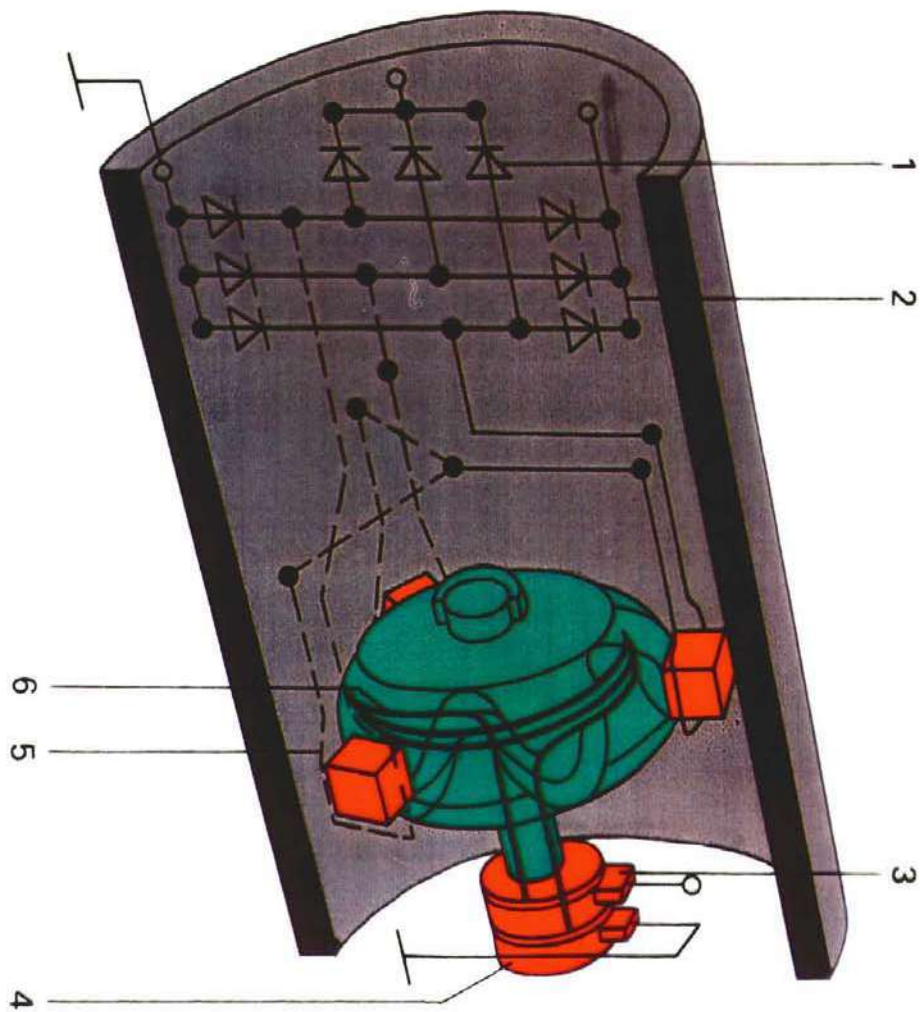


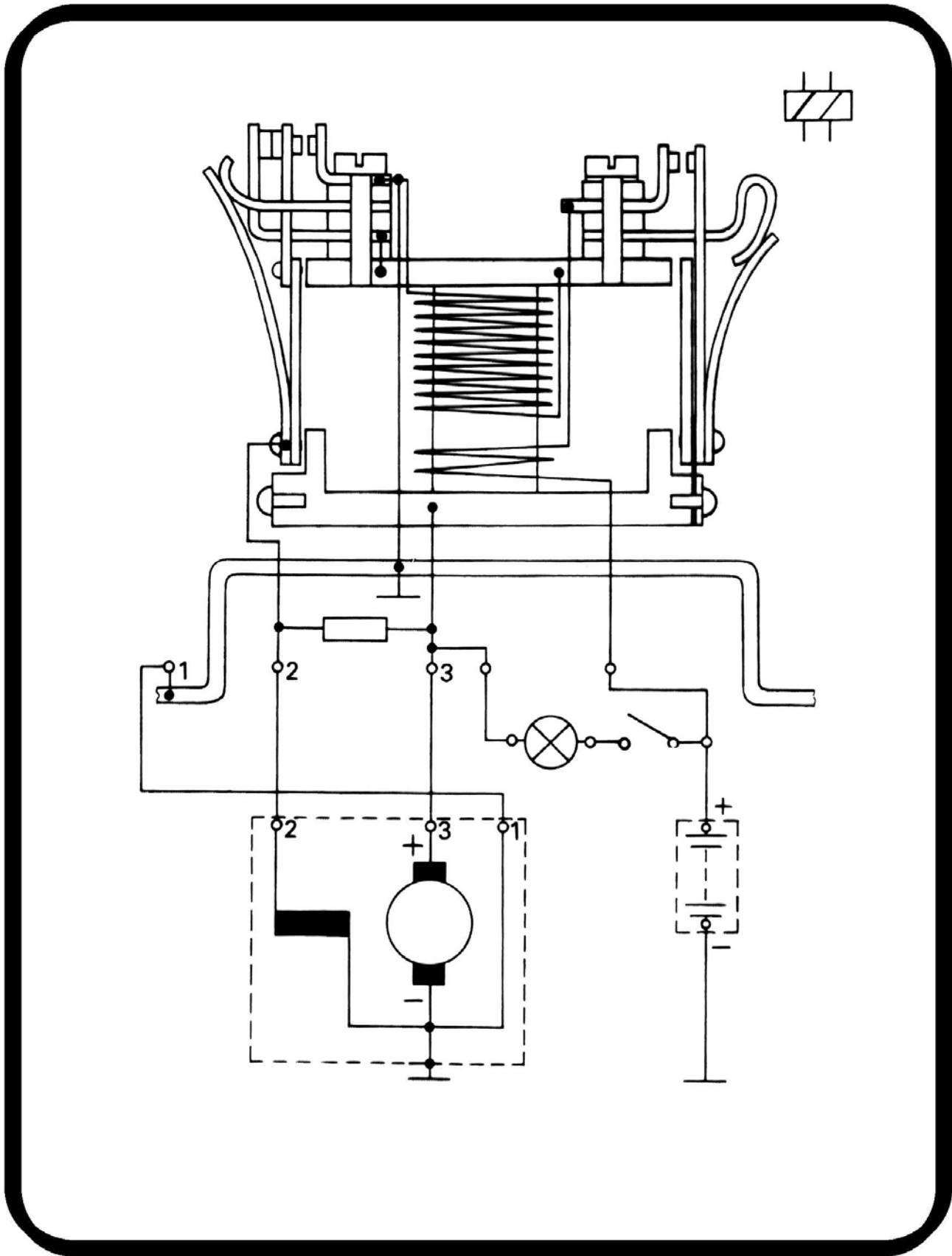
①

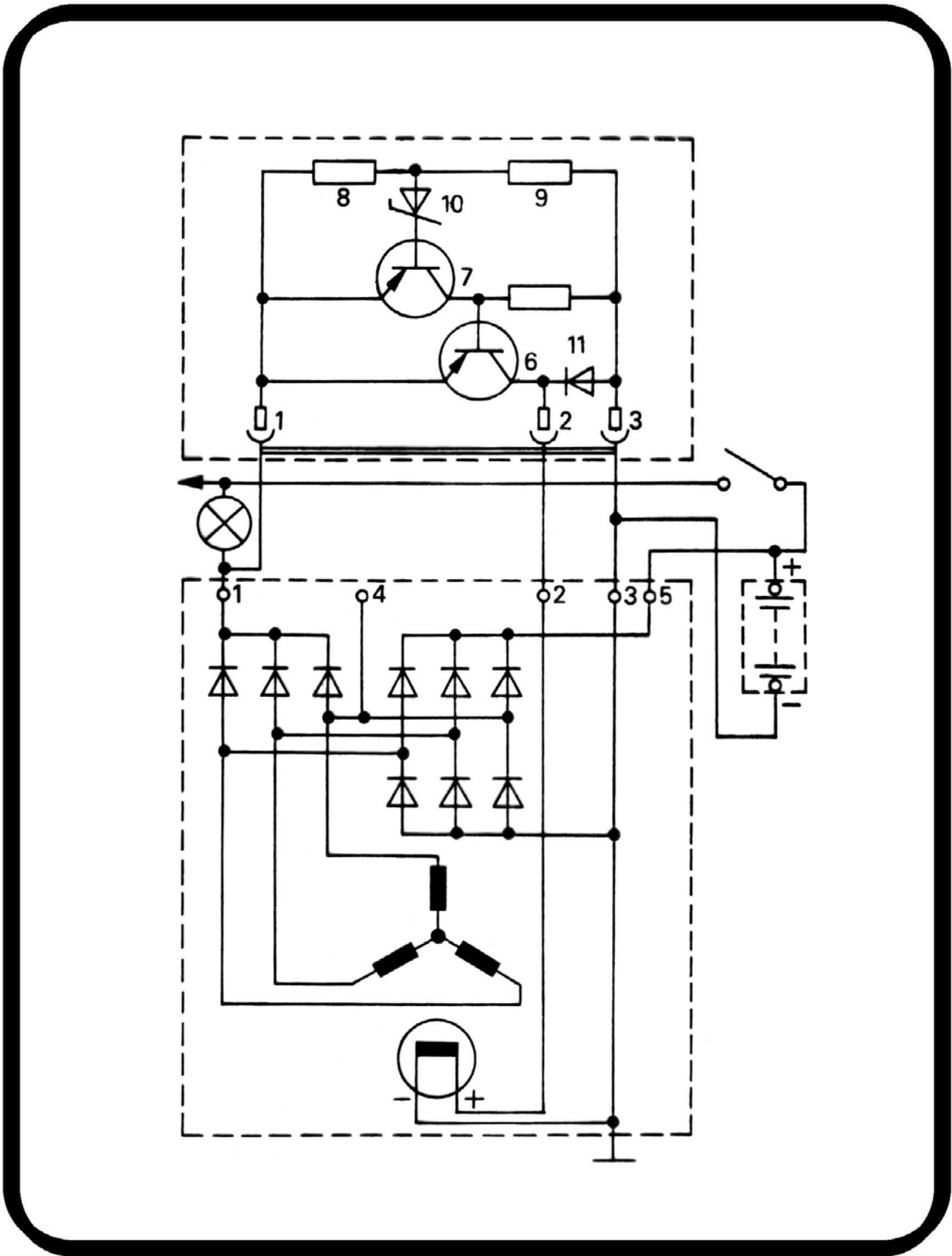


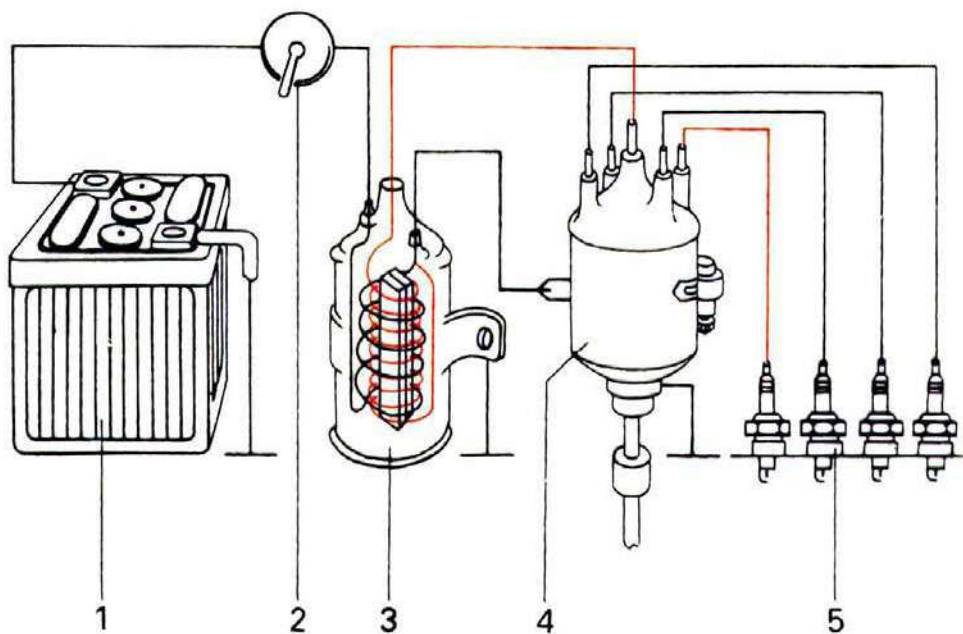
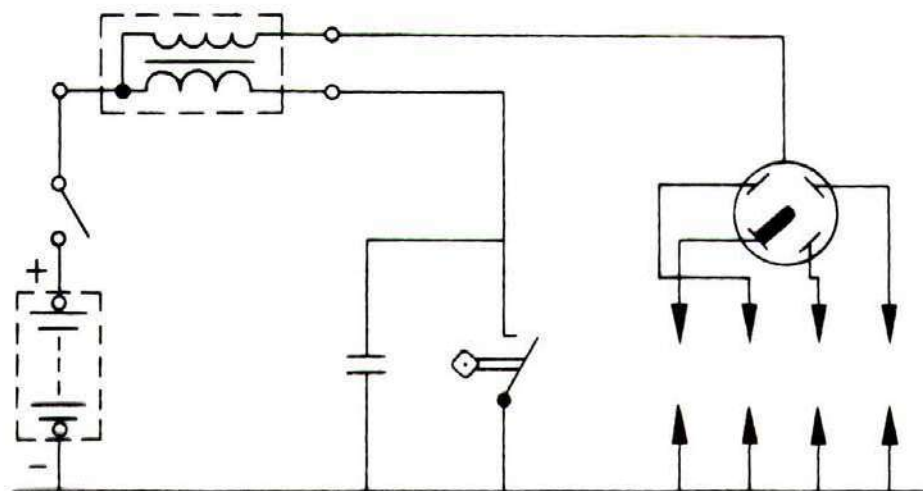
②

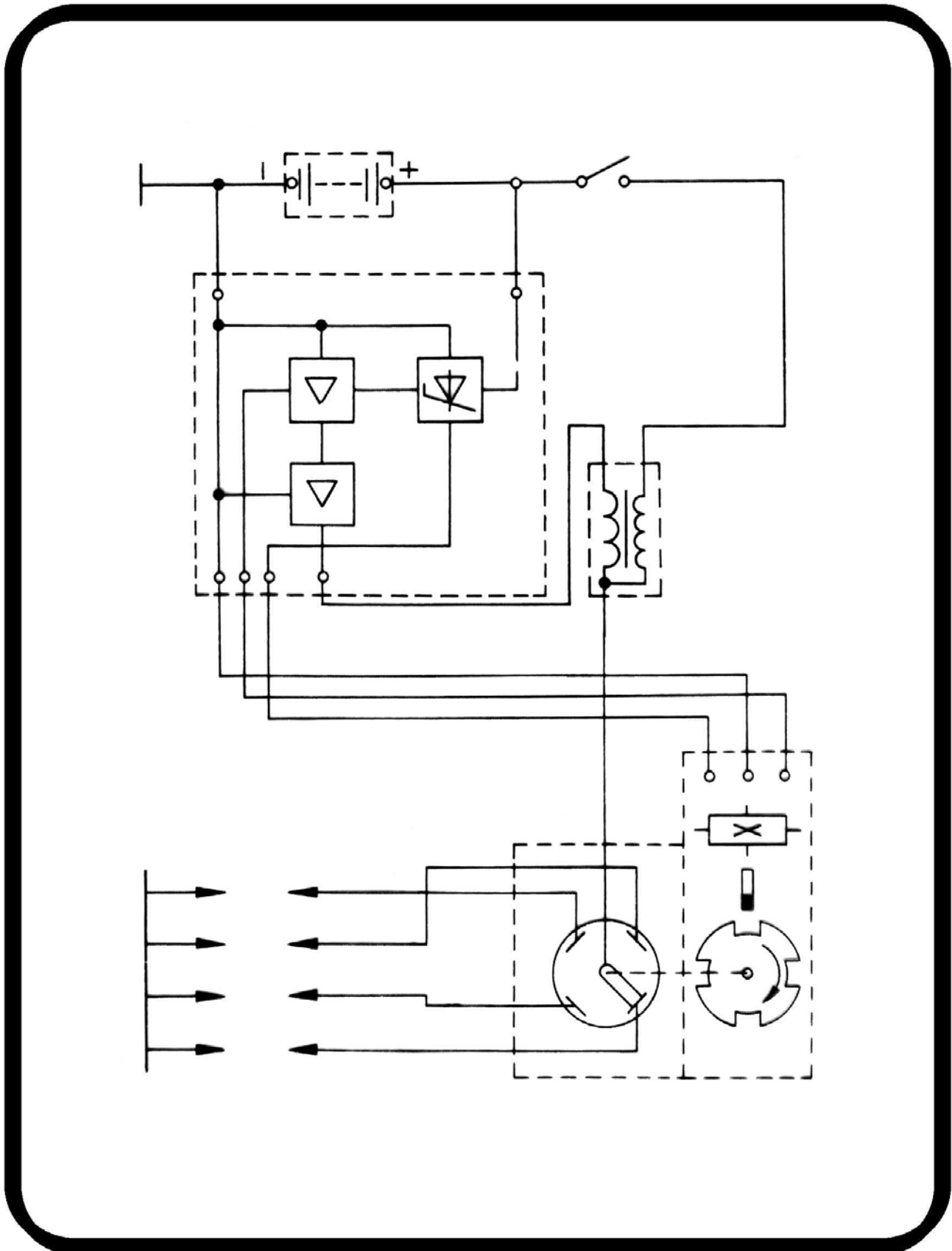






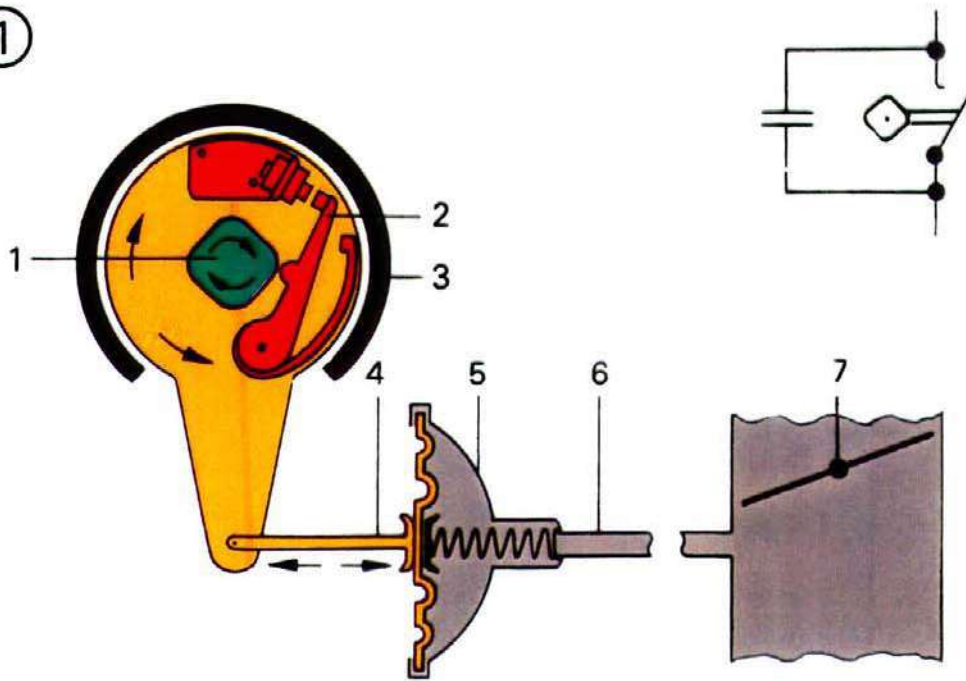




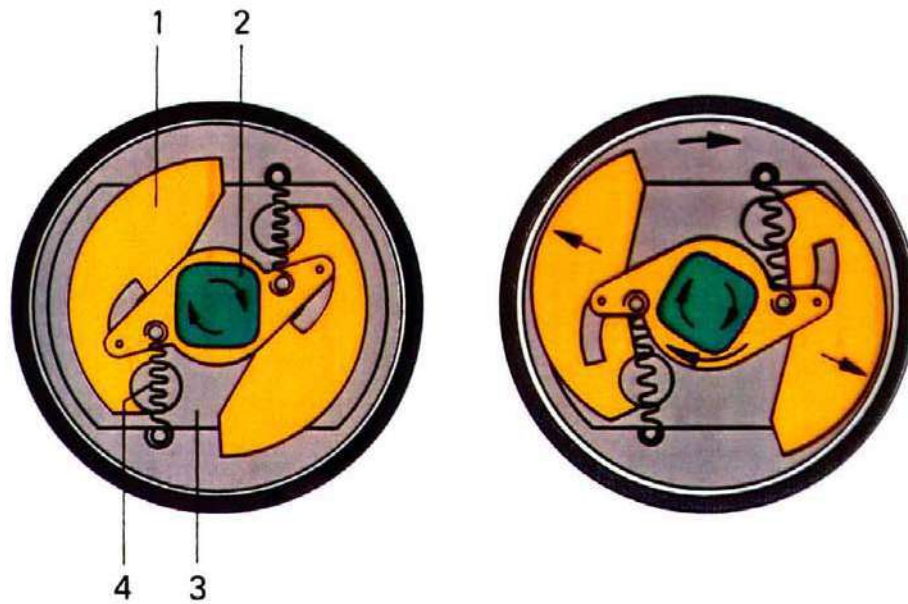


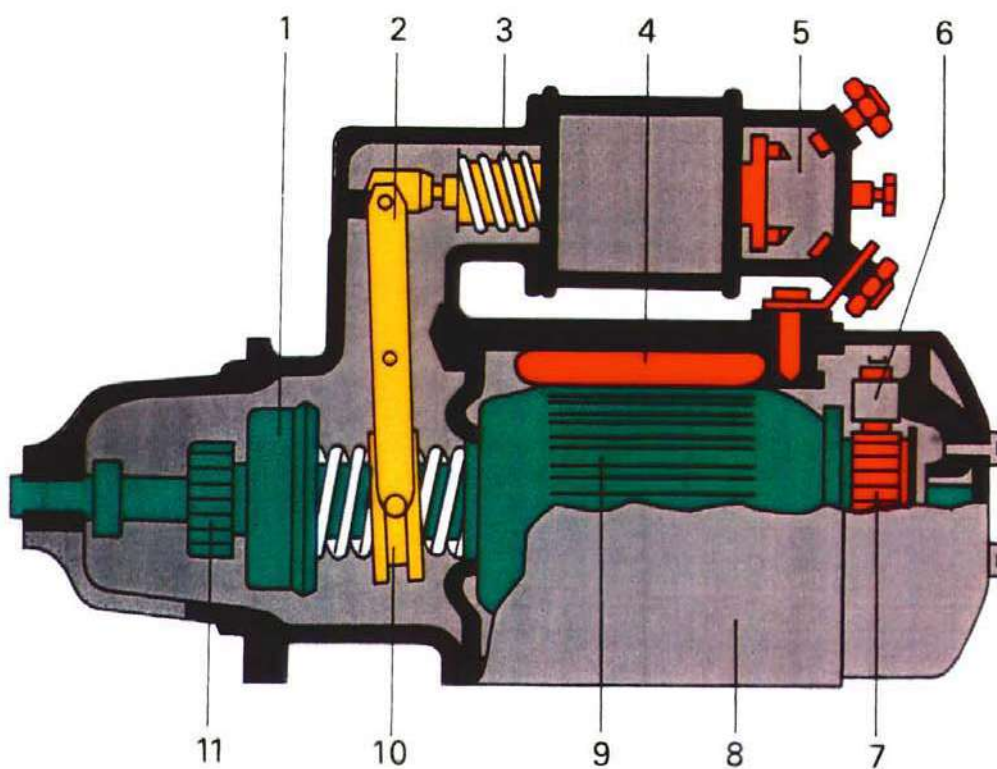
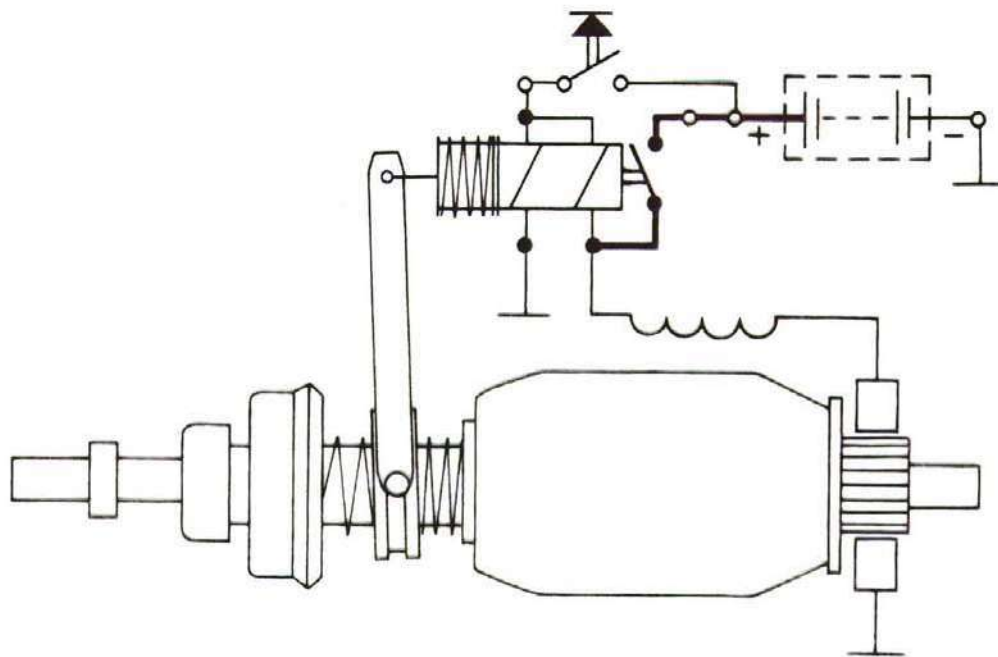


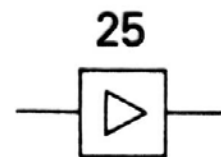
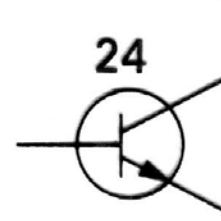
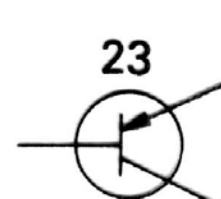
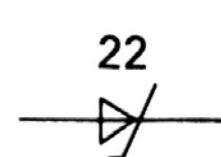
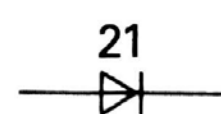
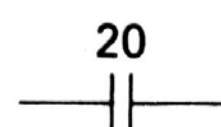
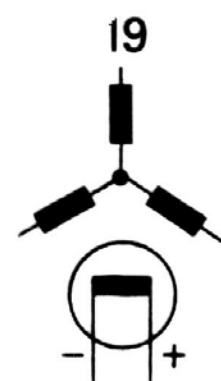
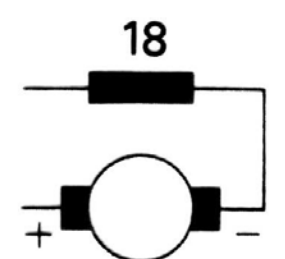
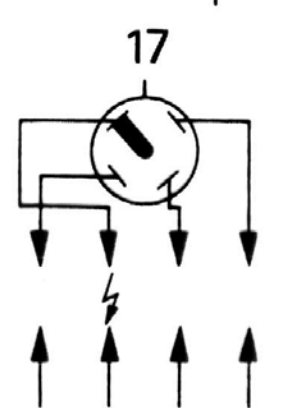
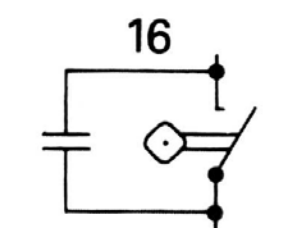
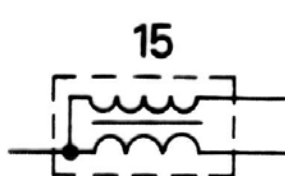
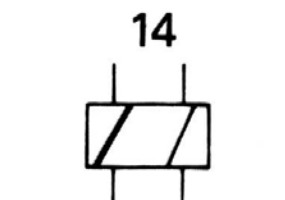
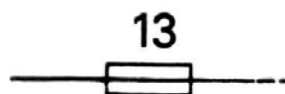
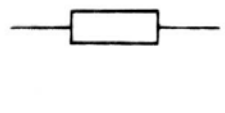
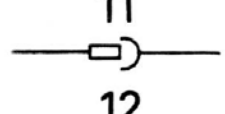
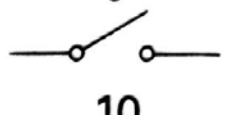
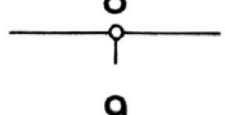
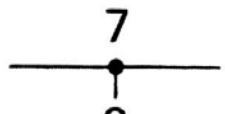
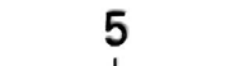
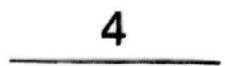
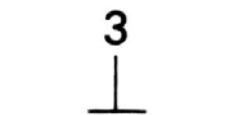
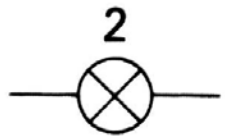
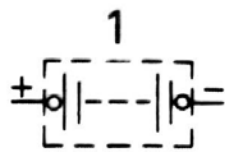
①



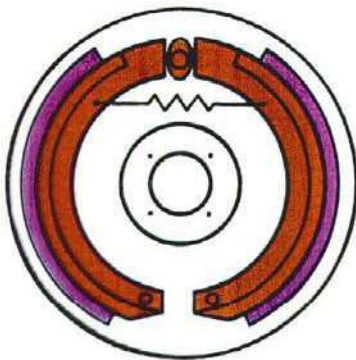
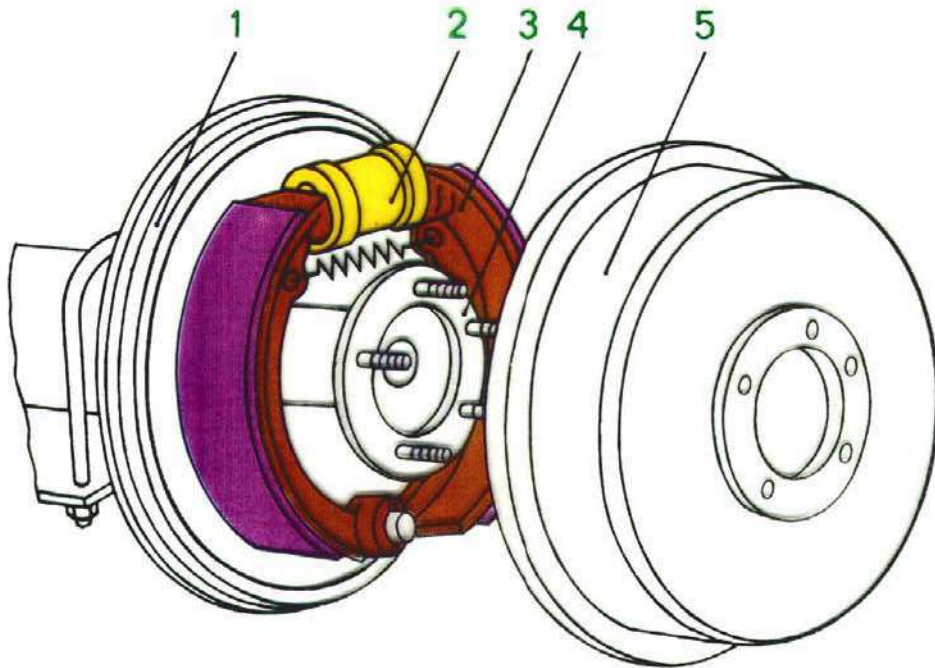
②



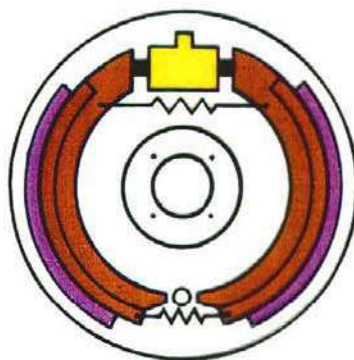




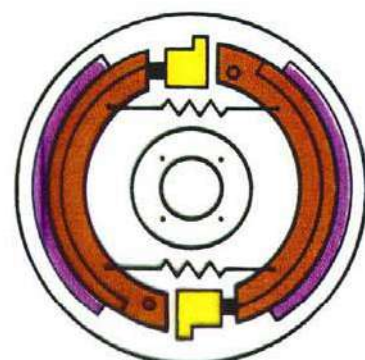
0



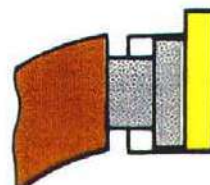
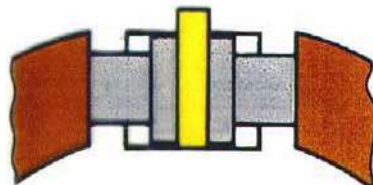
6

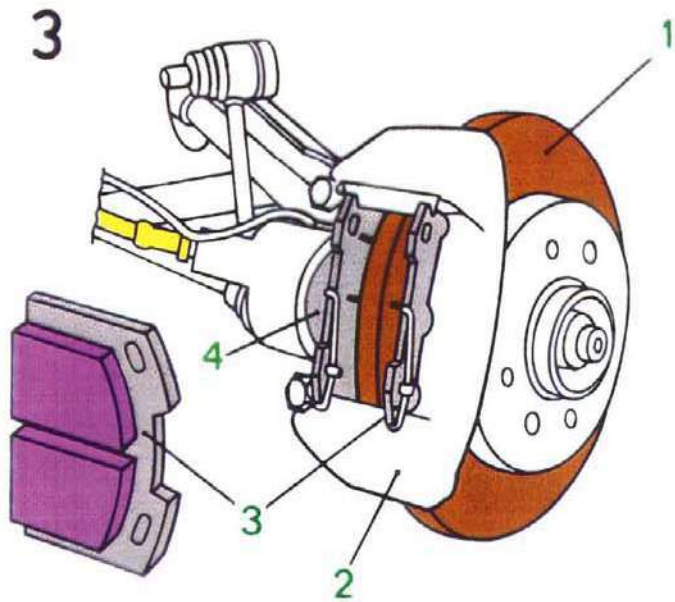
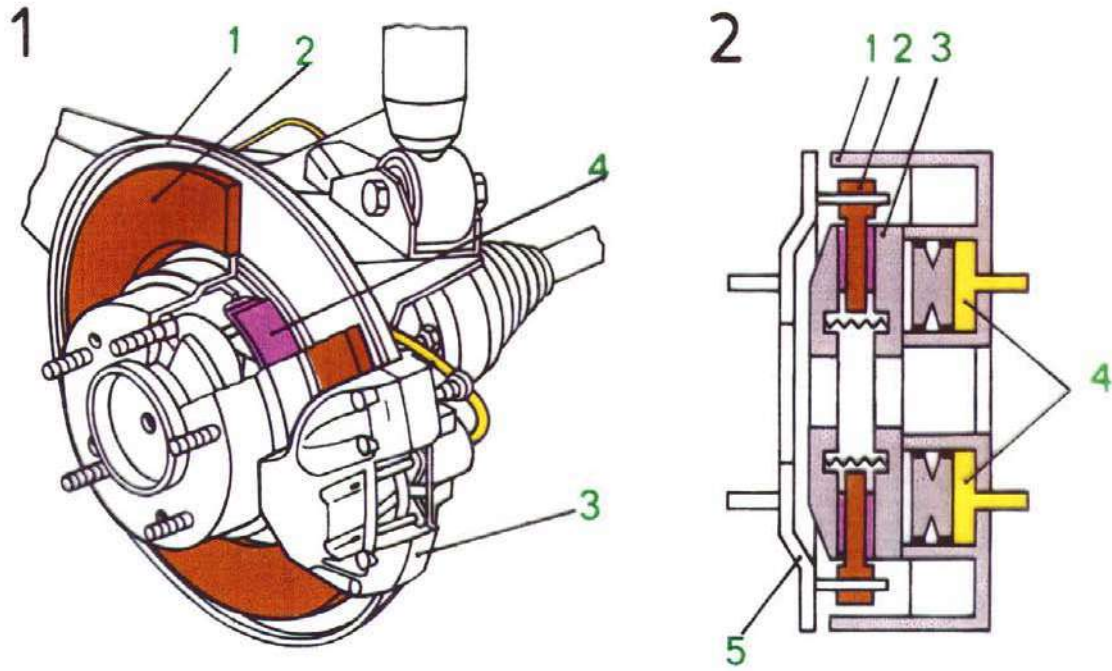


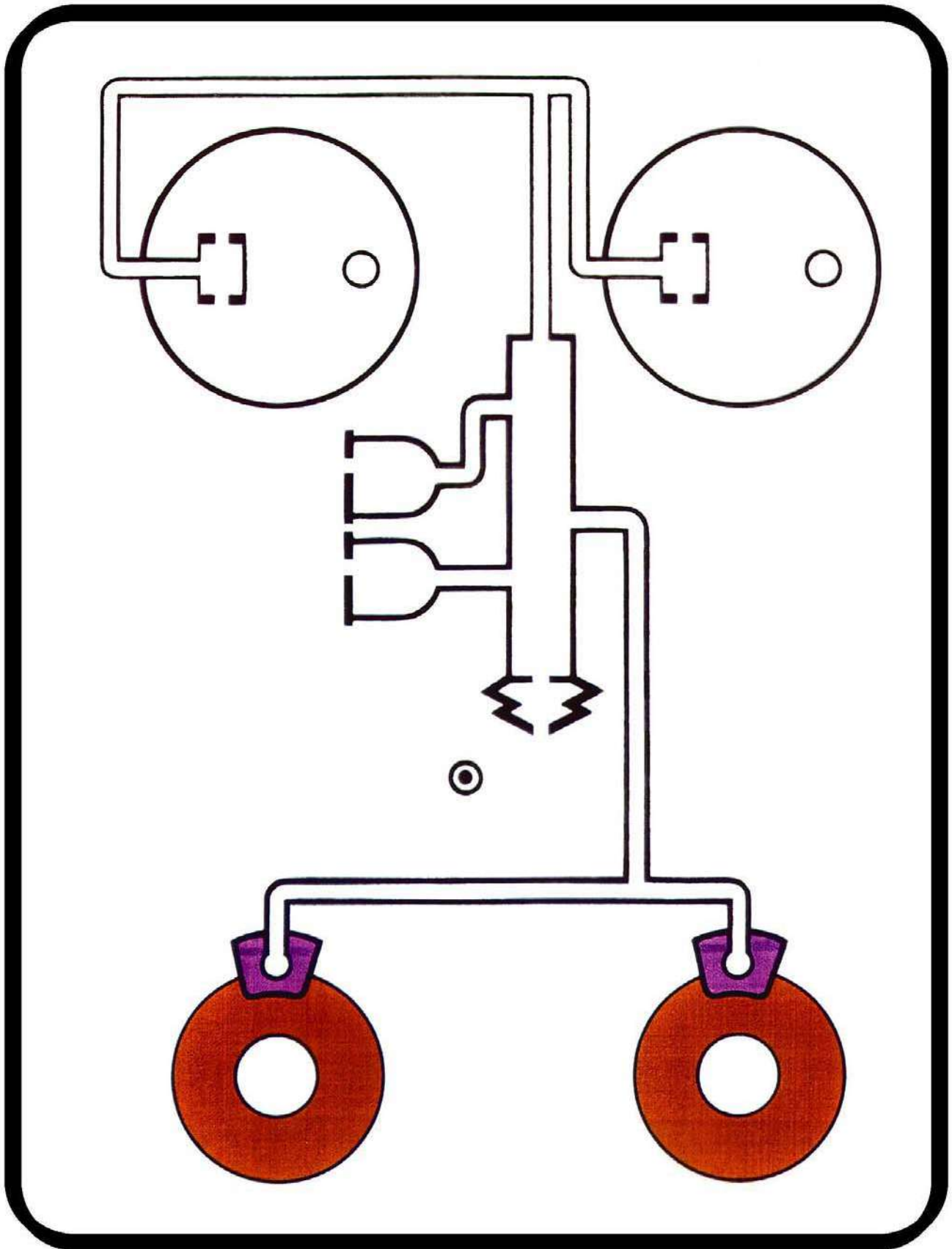
7



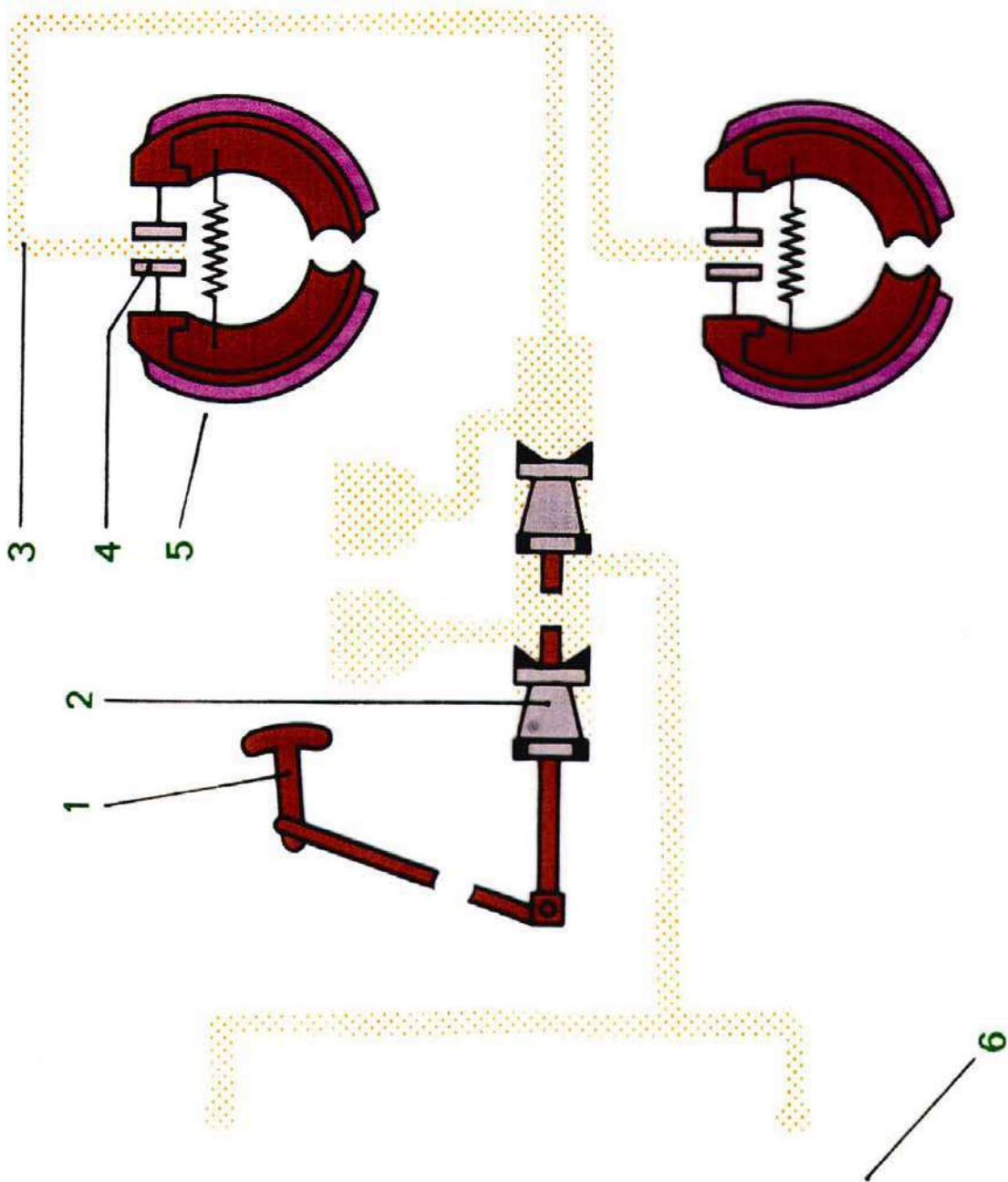
8



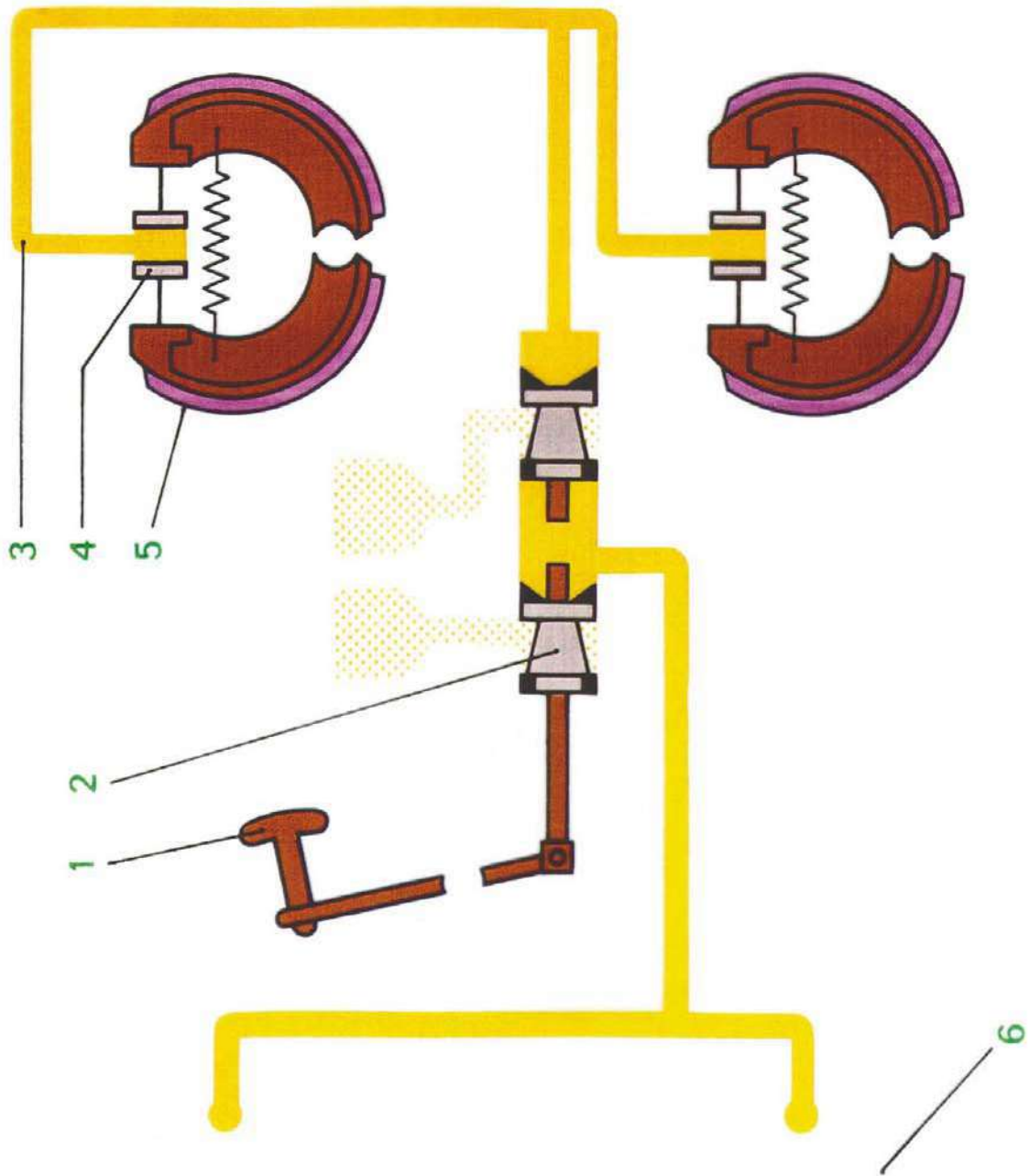




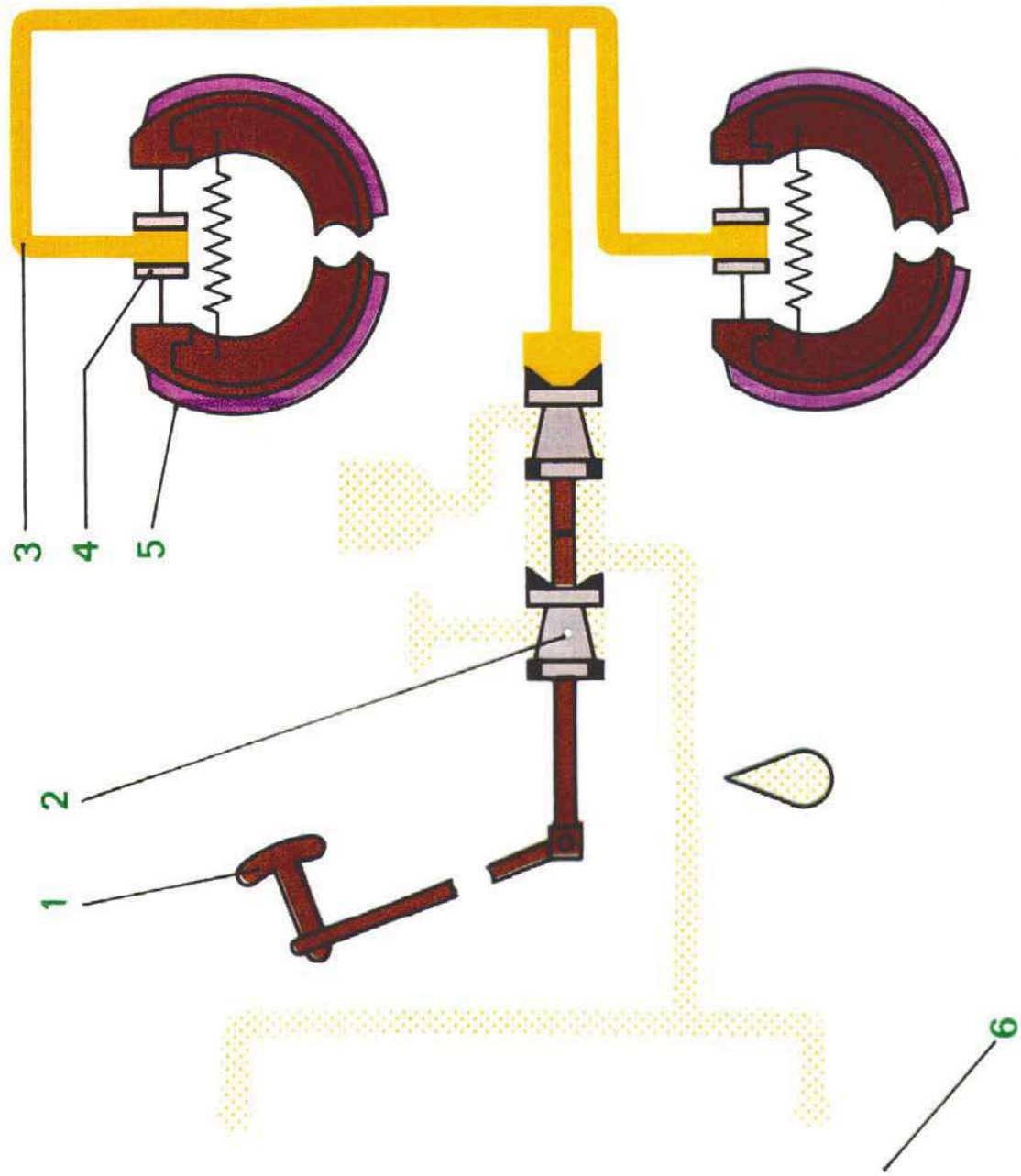
1



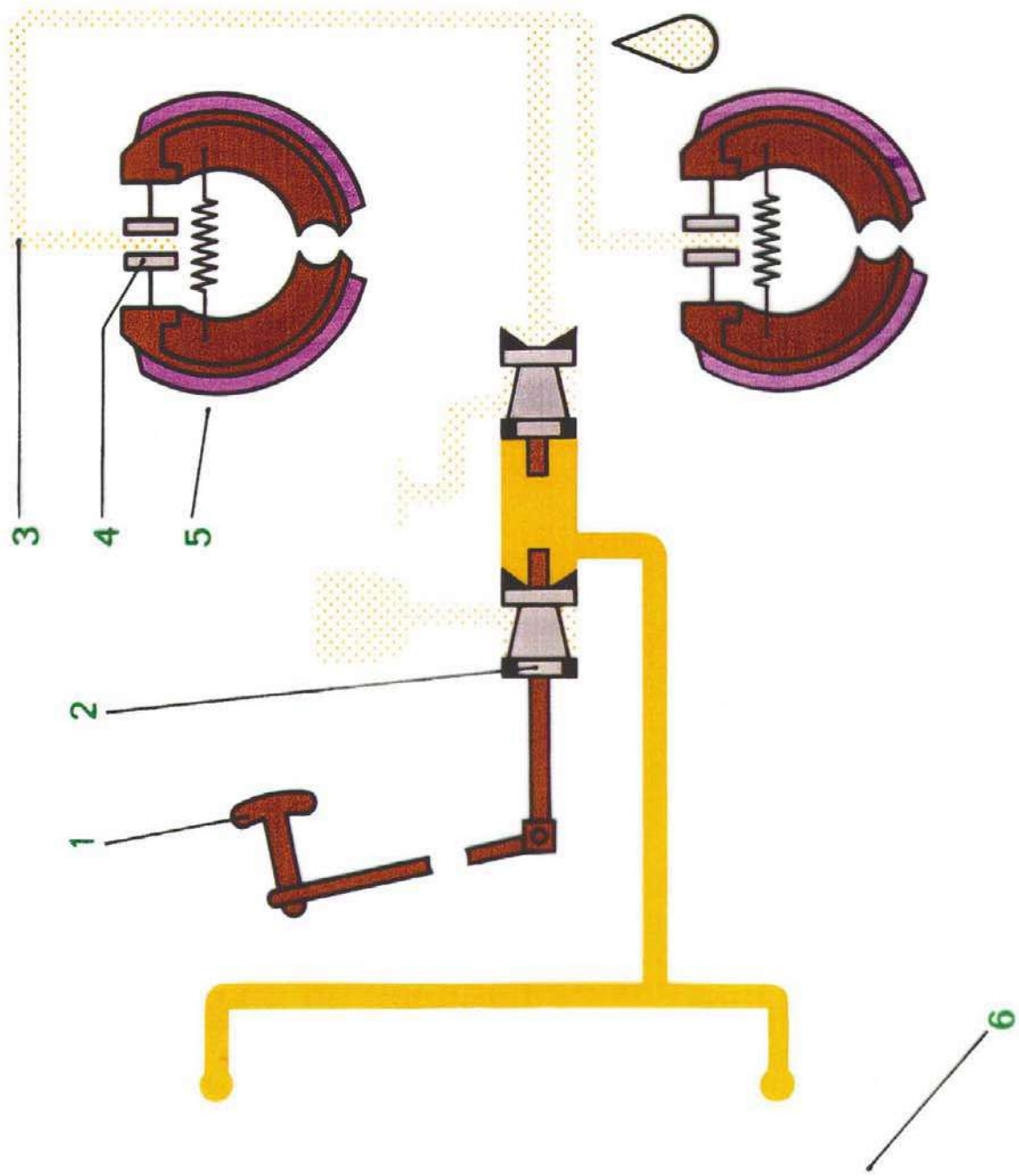
2

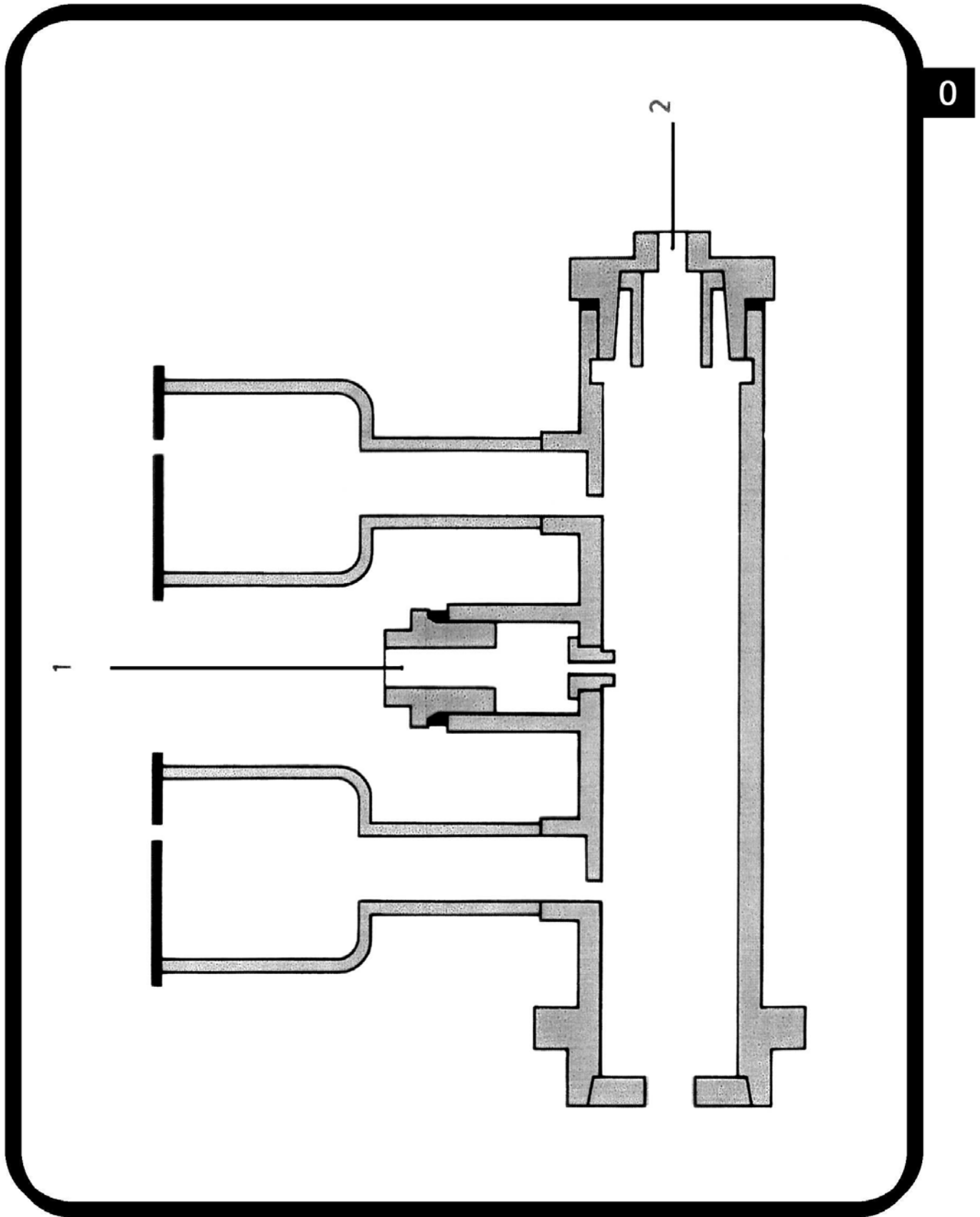


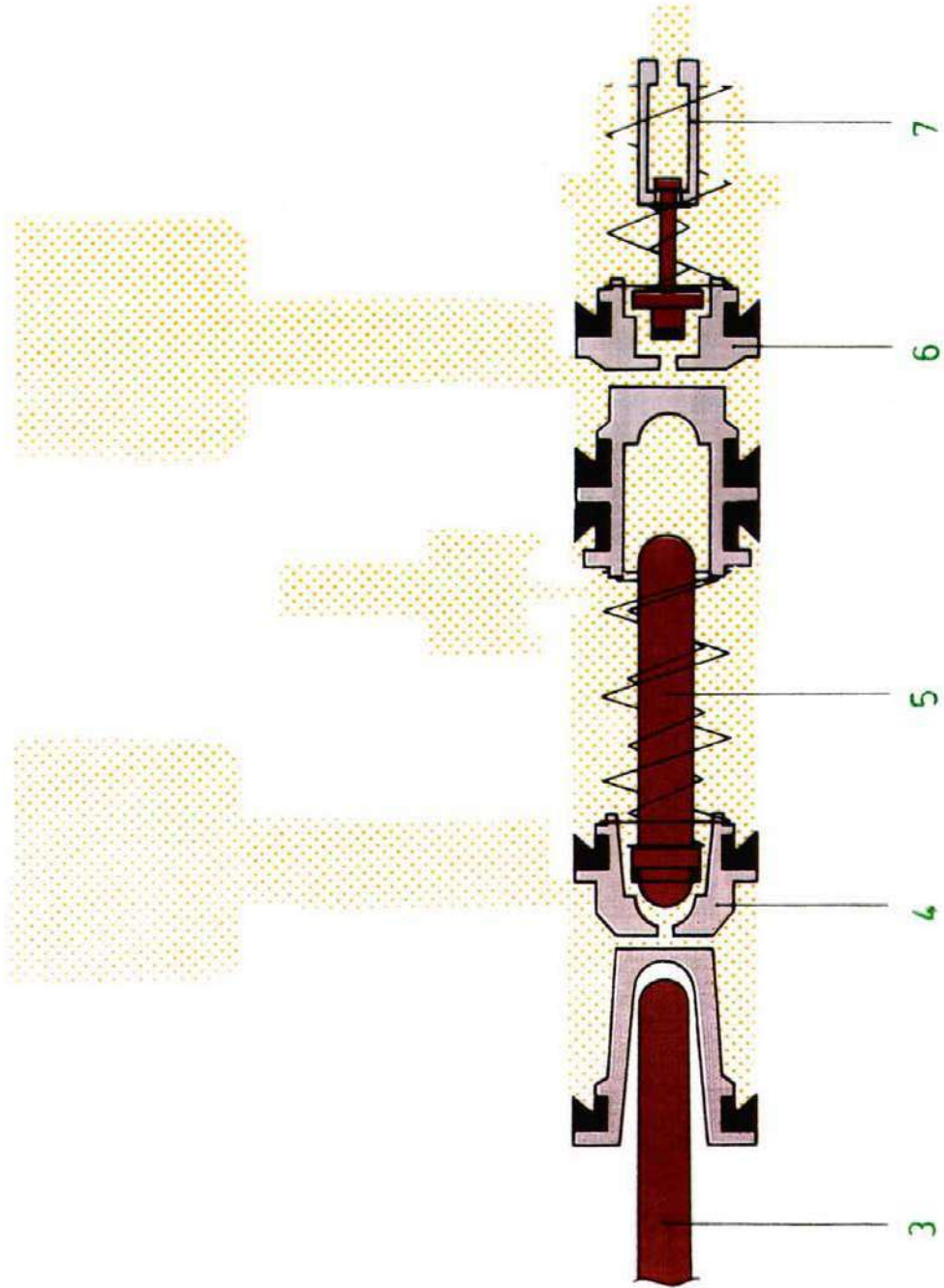


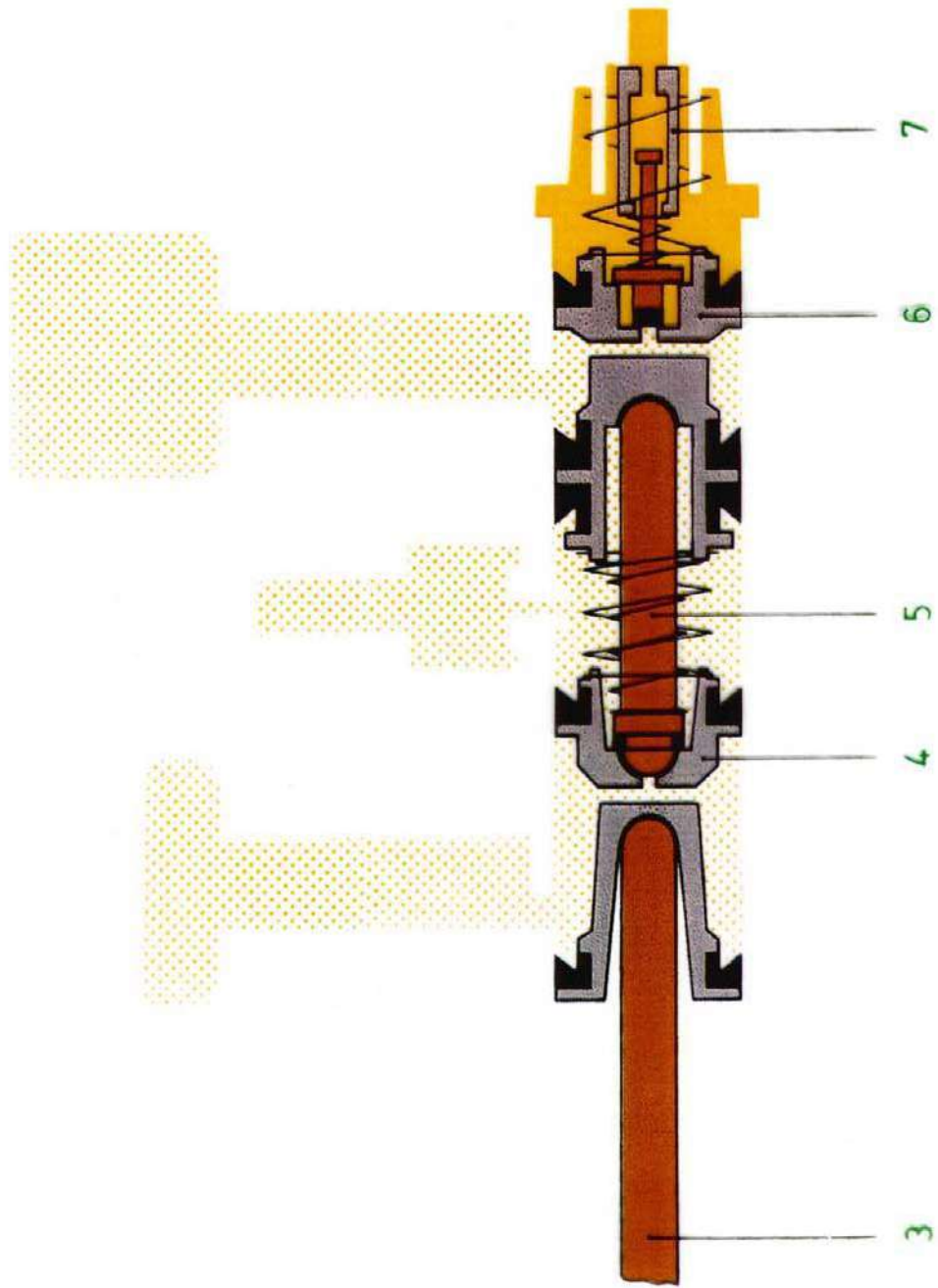


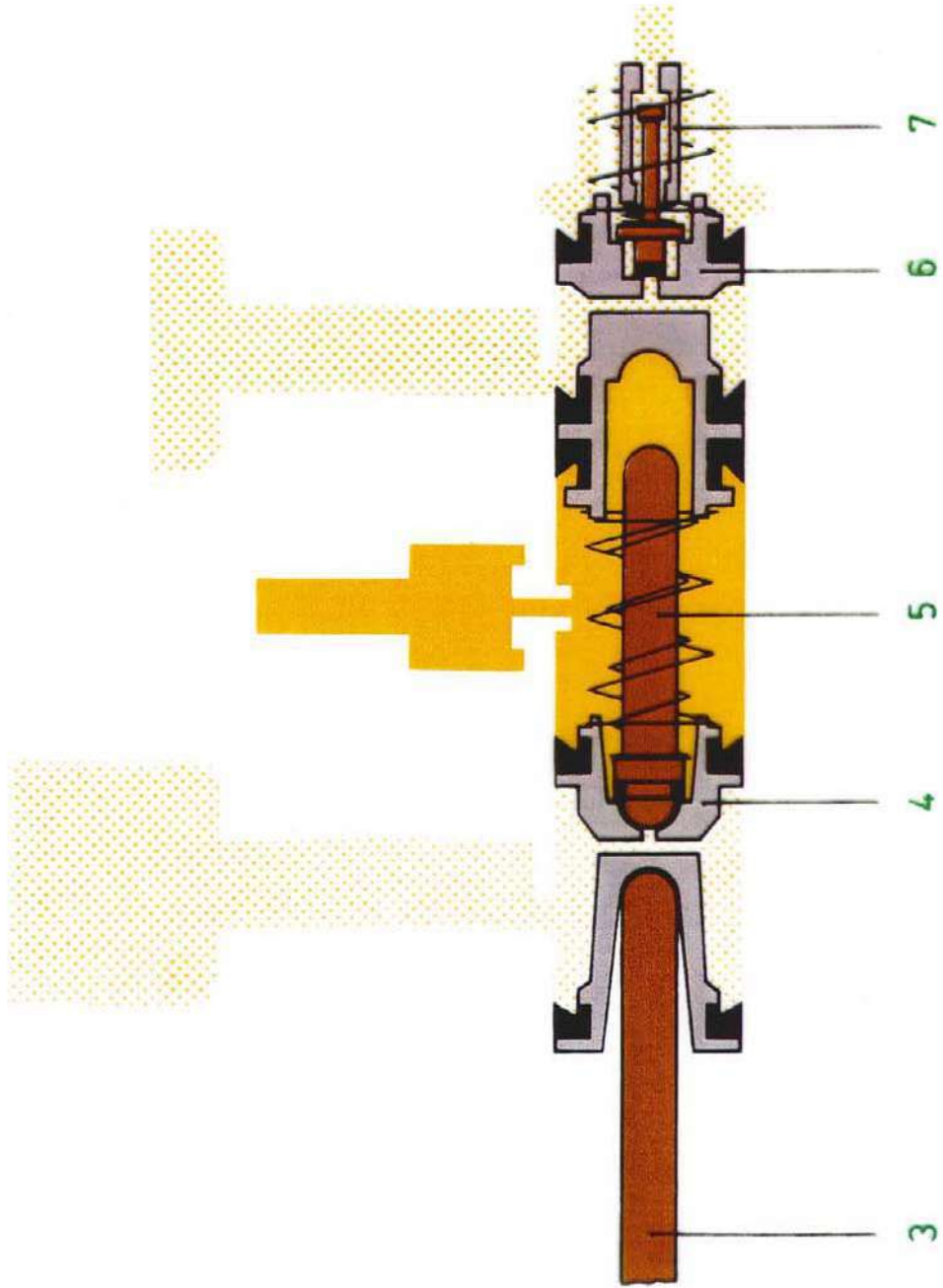
4



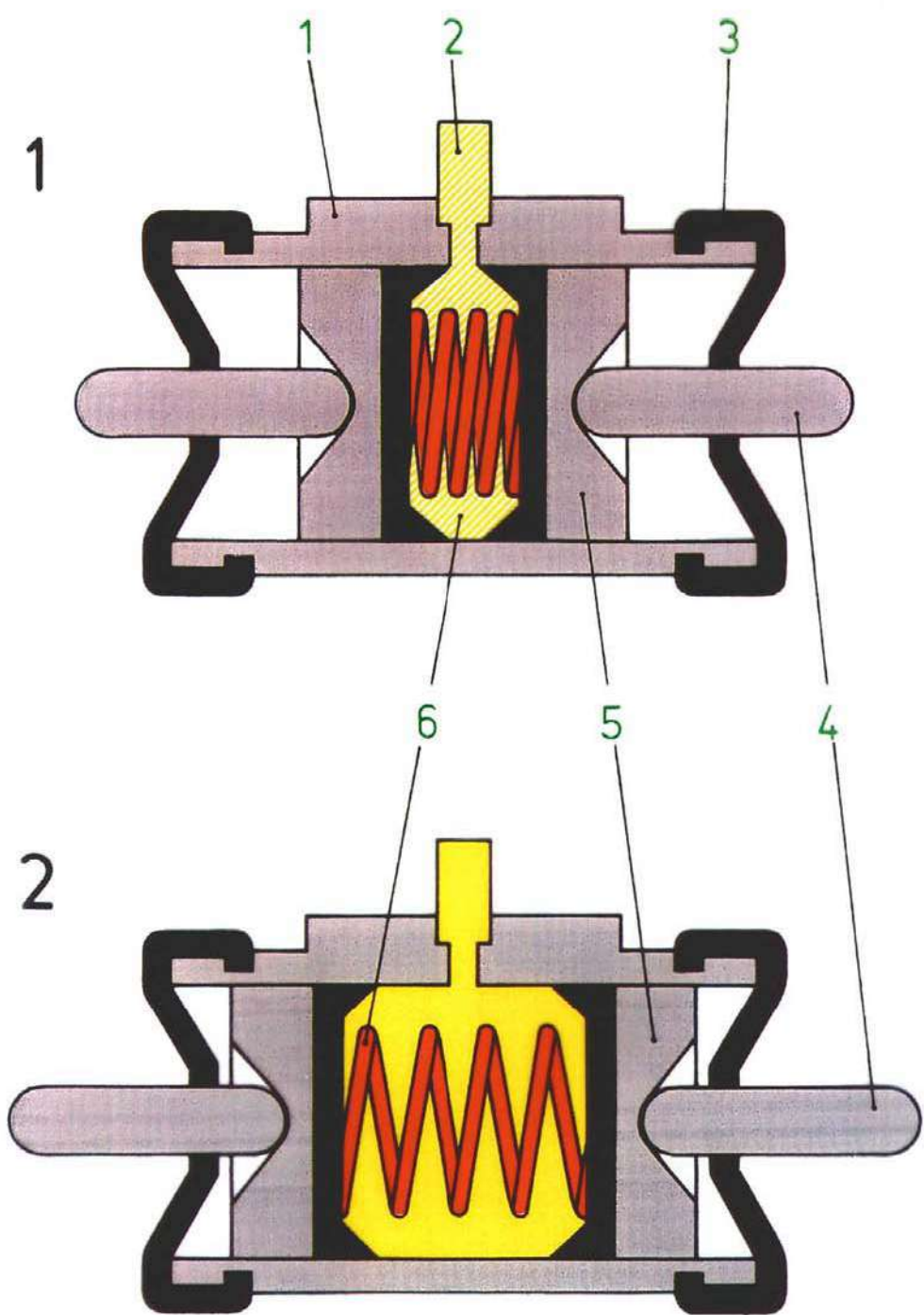




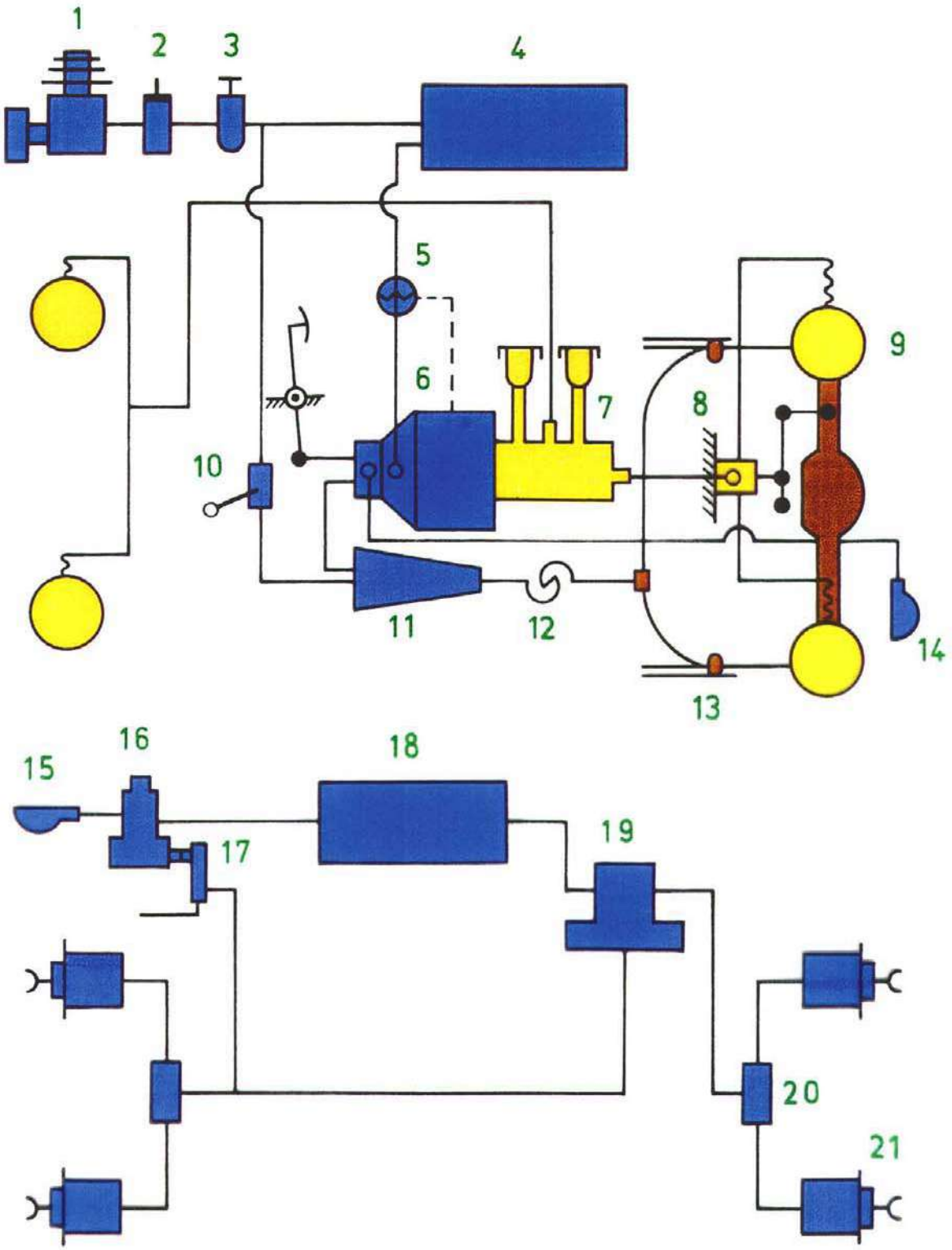




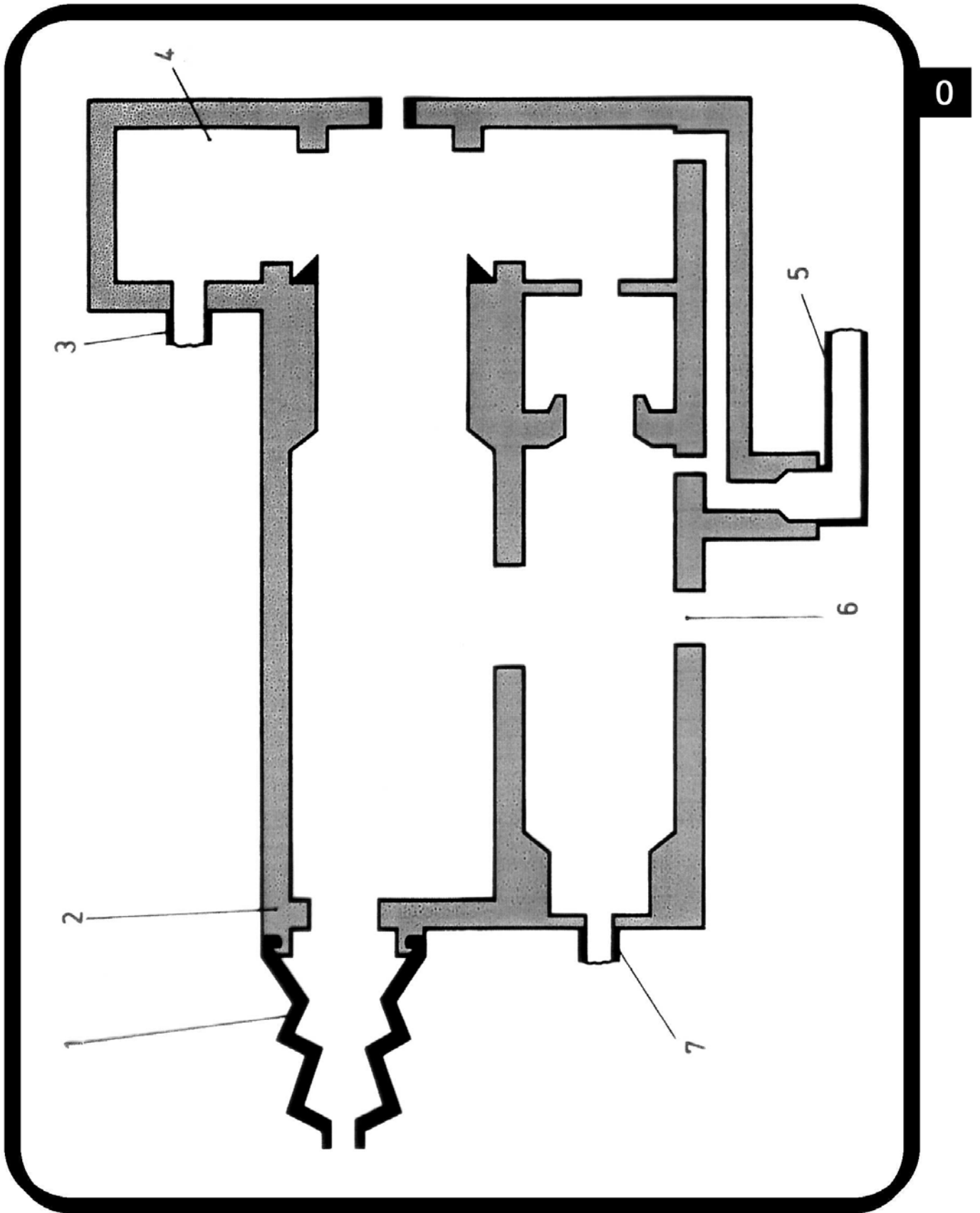
0

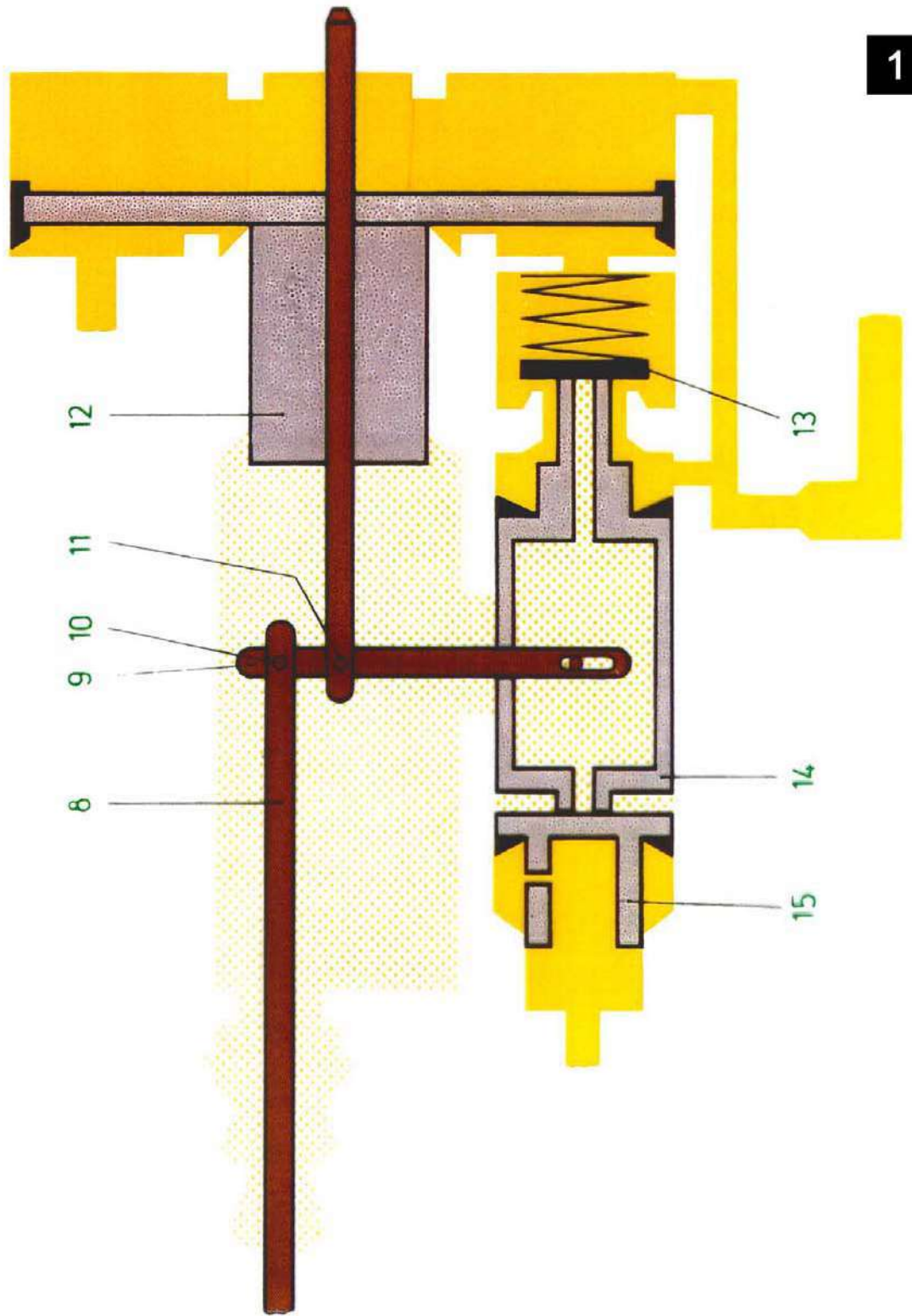


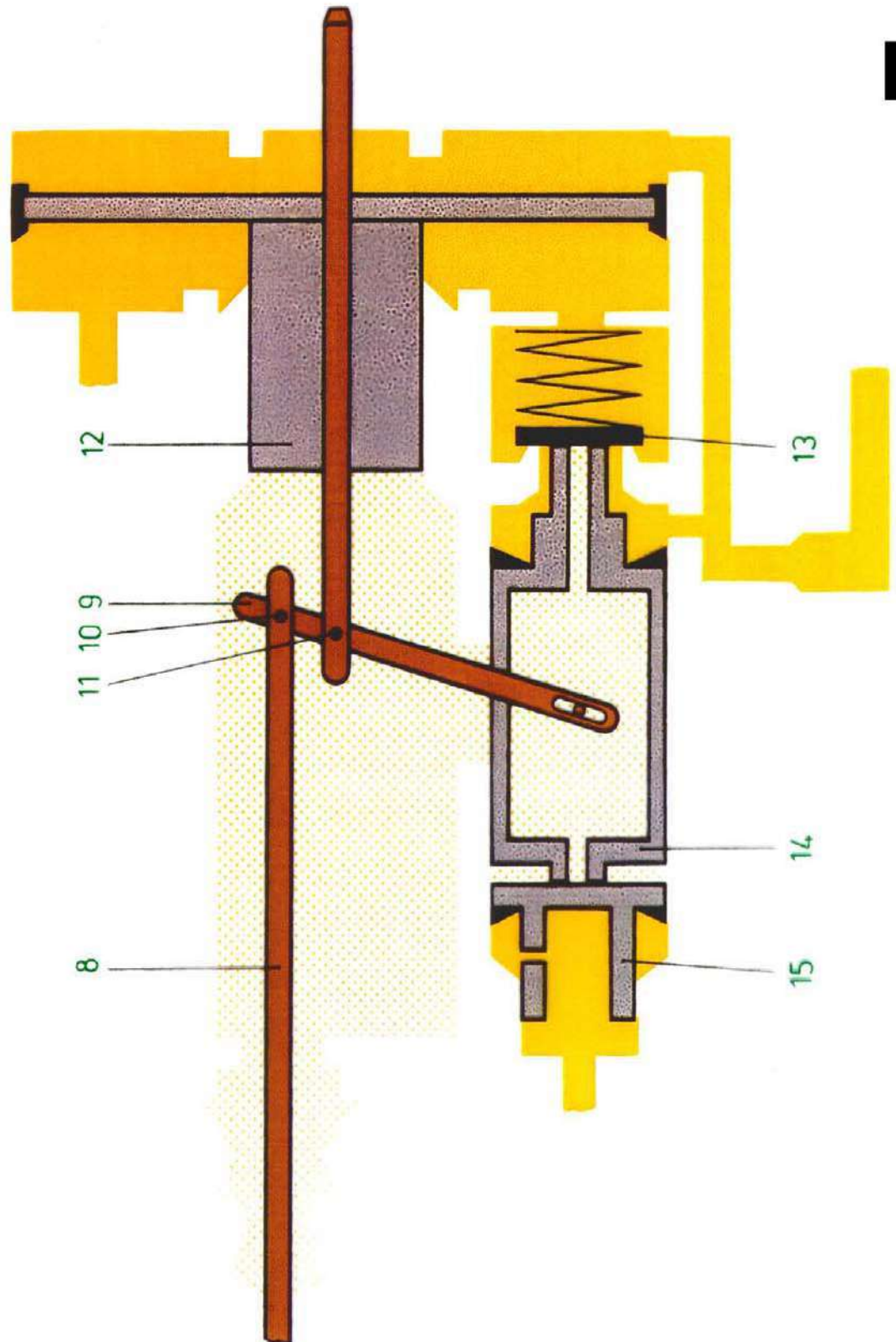
0

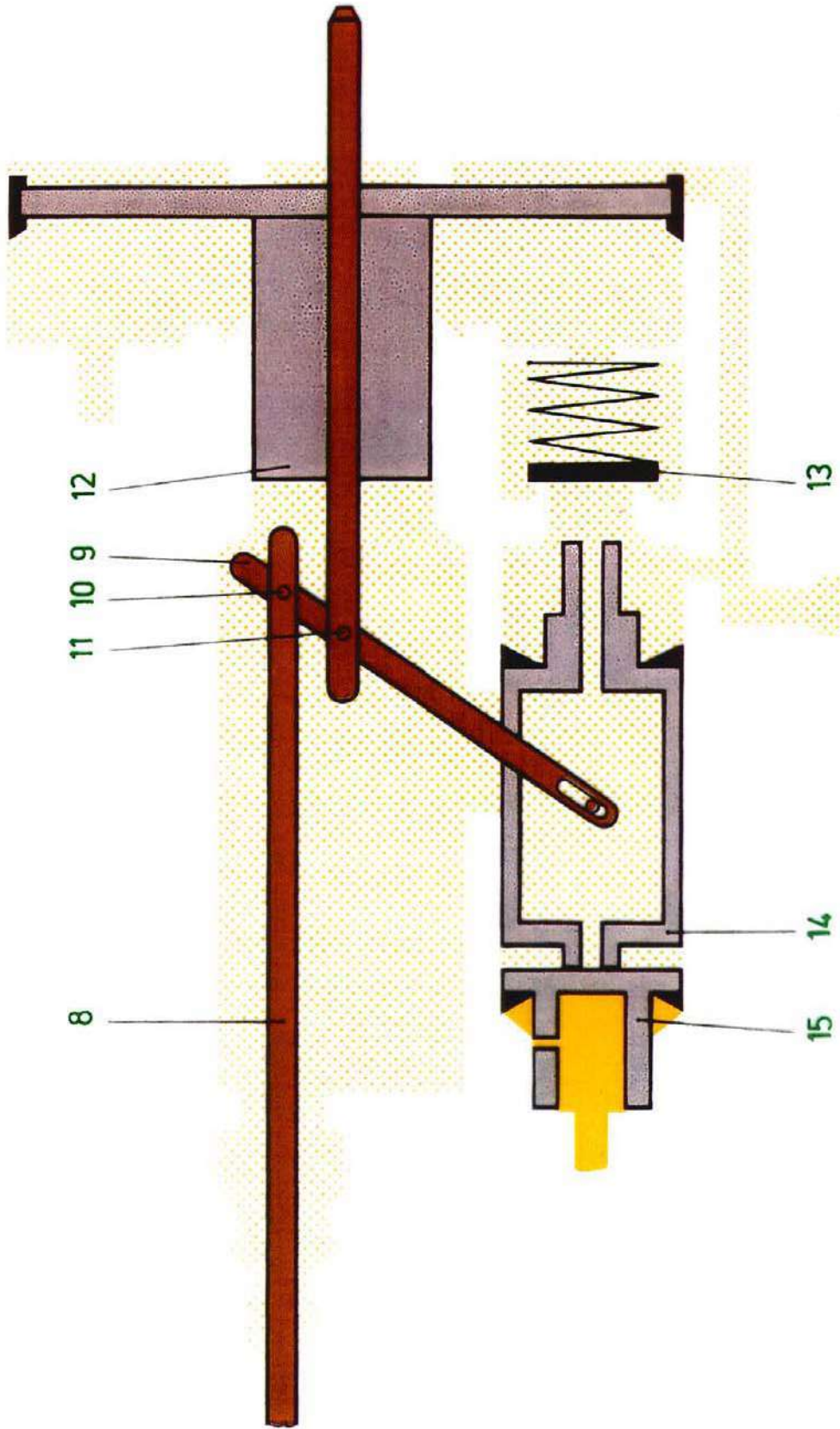




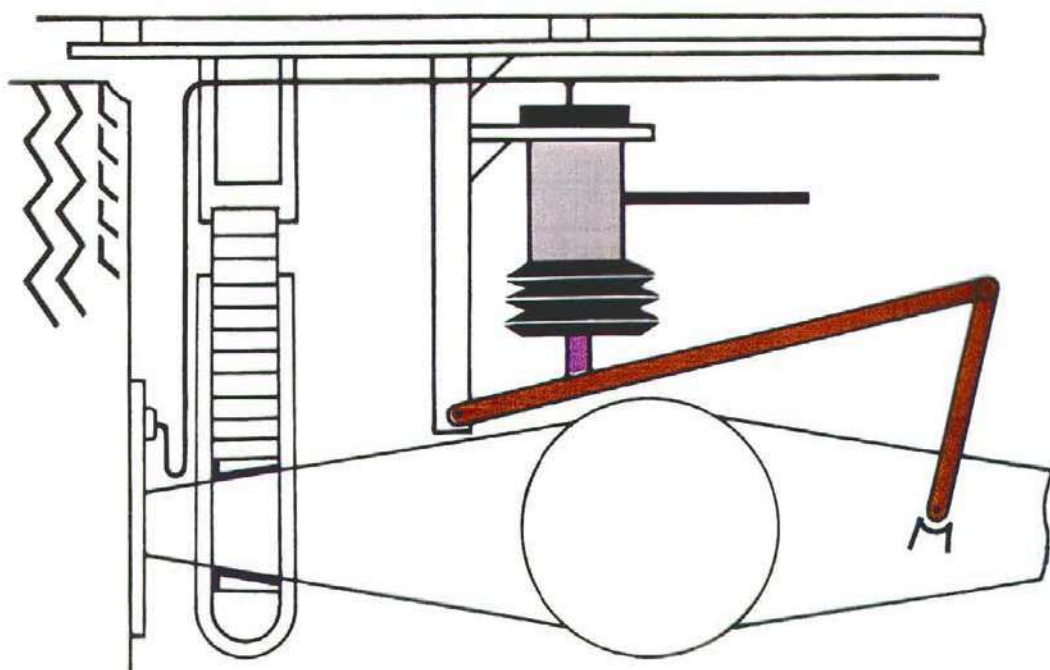
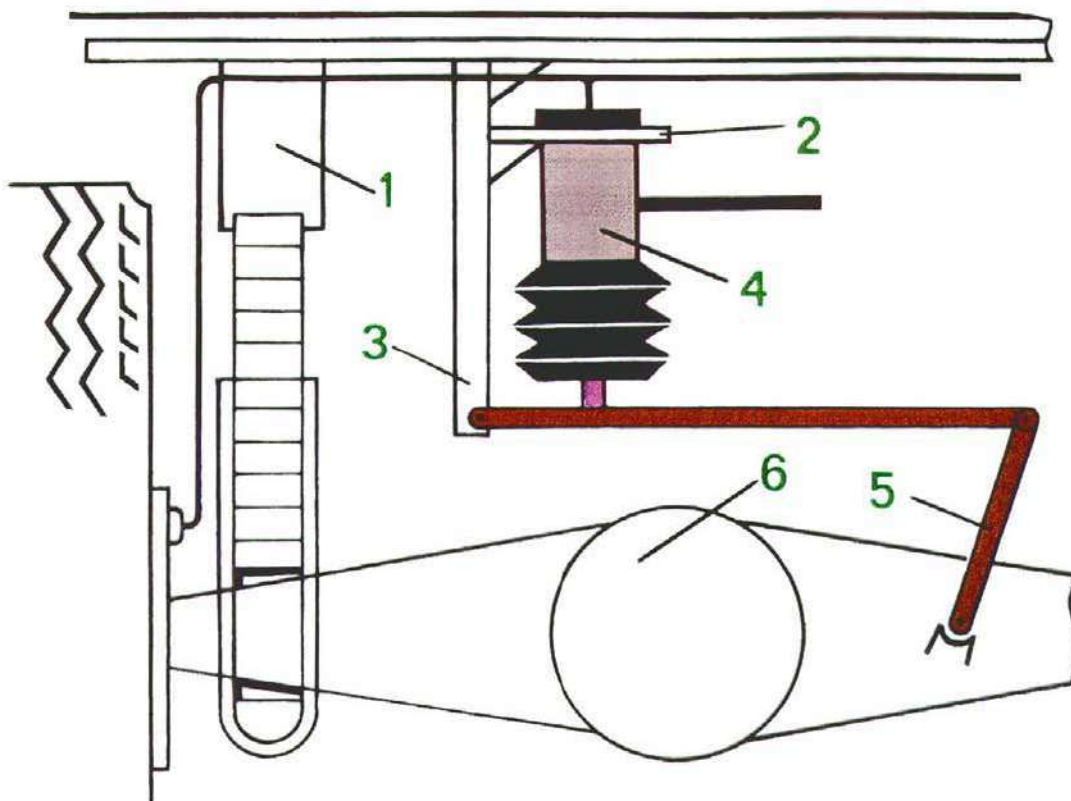


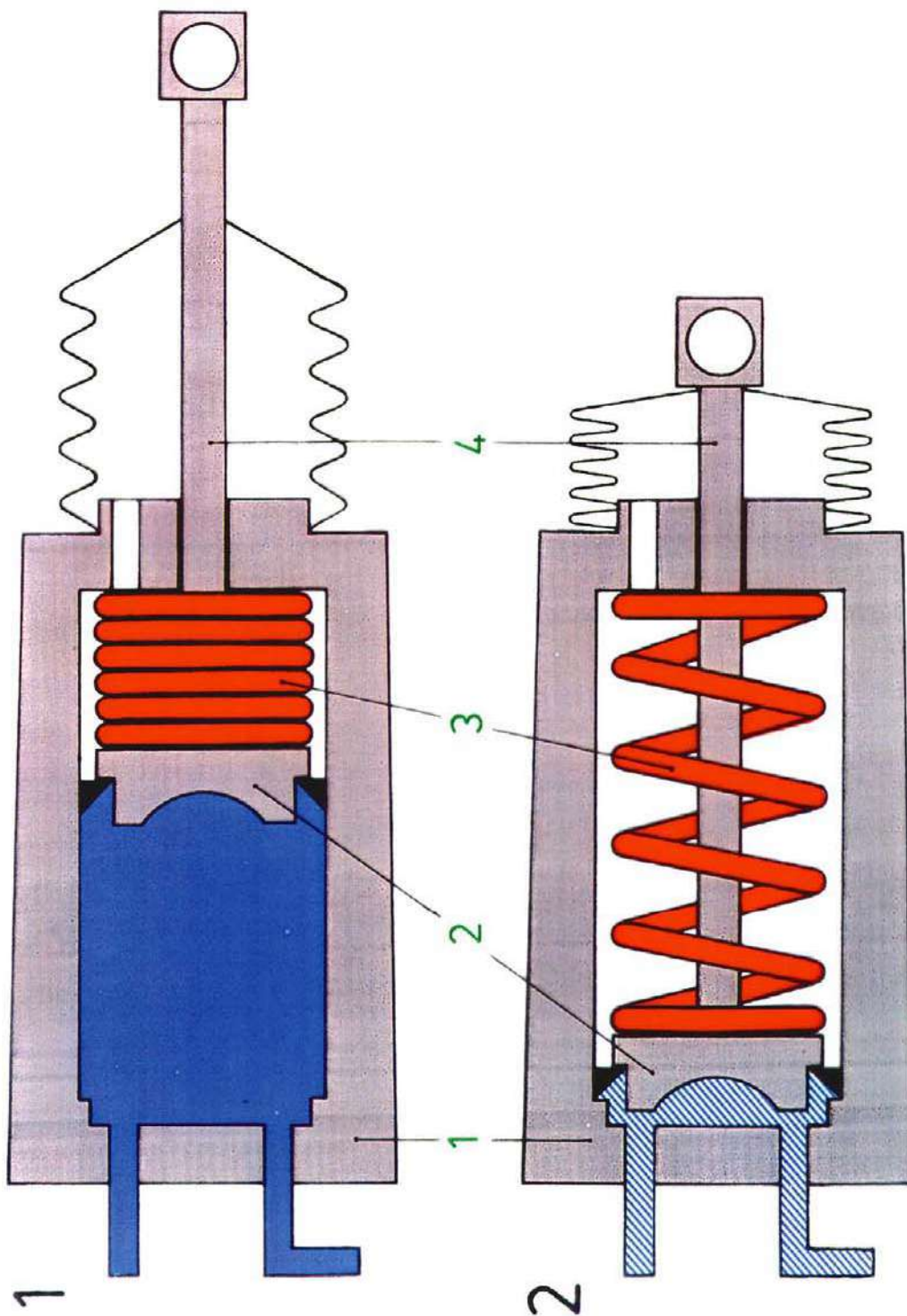




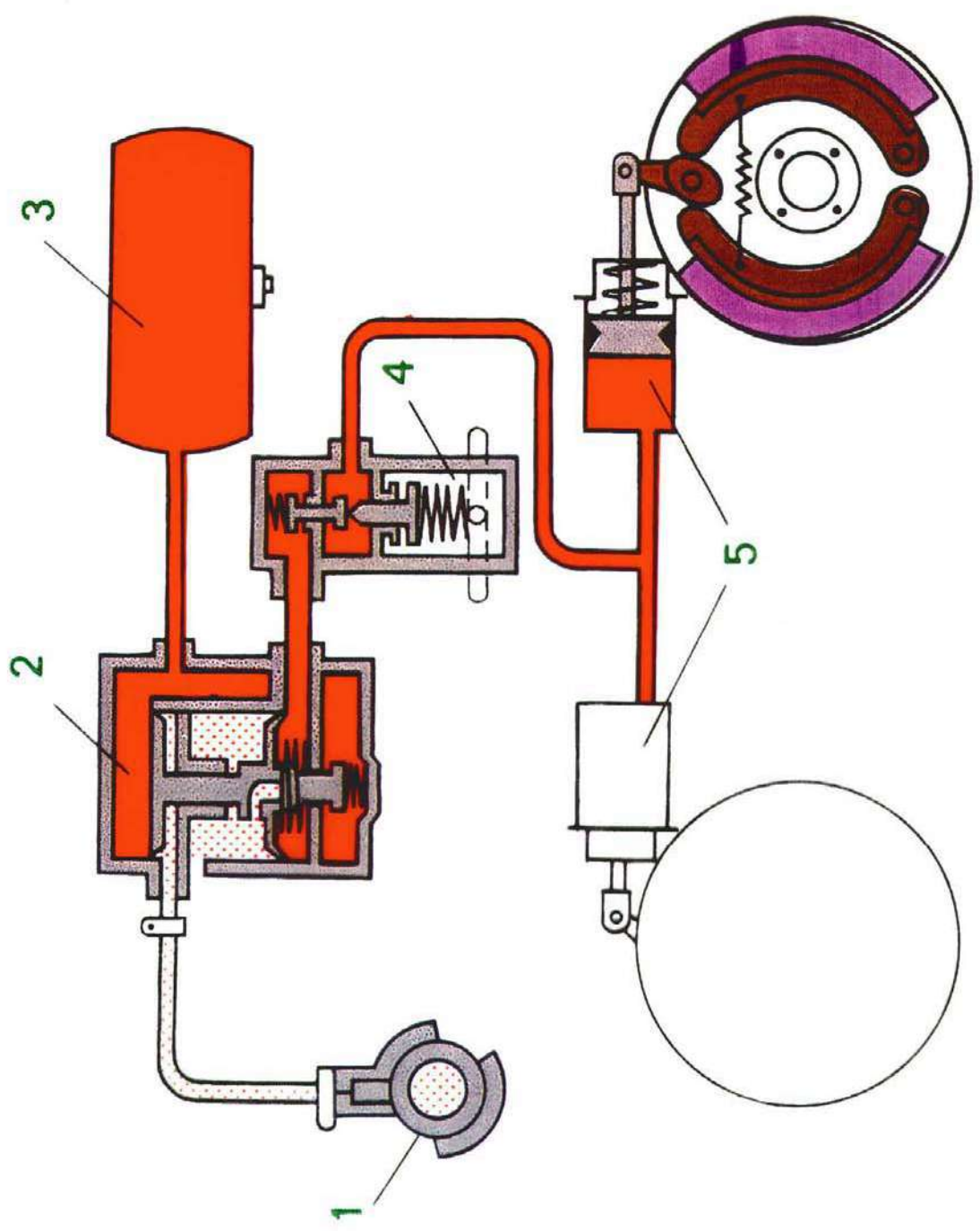


0

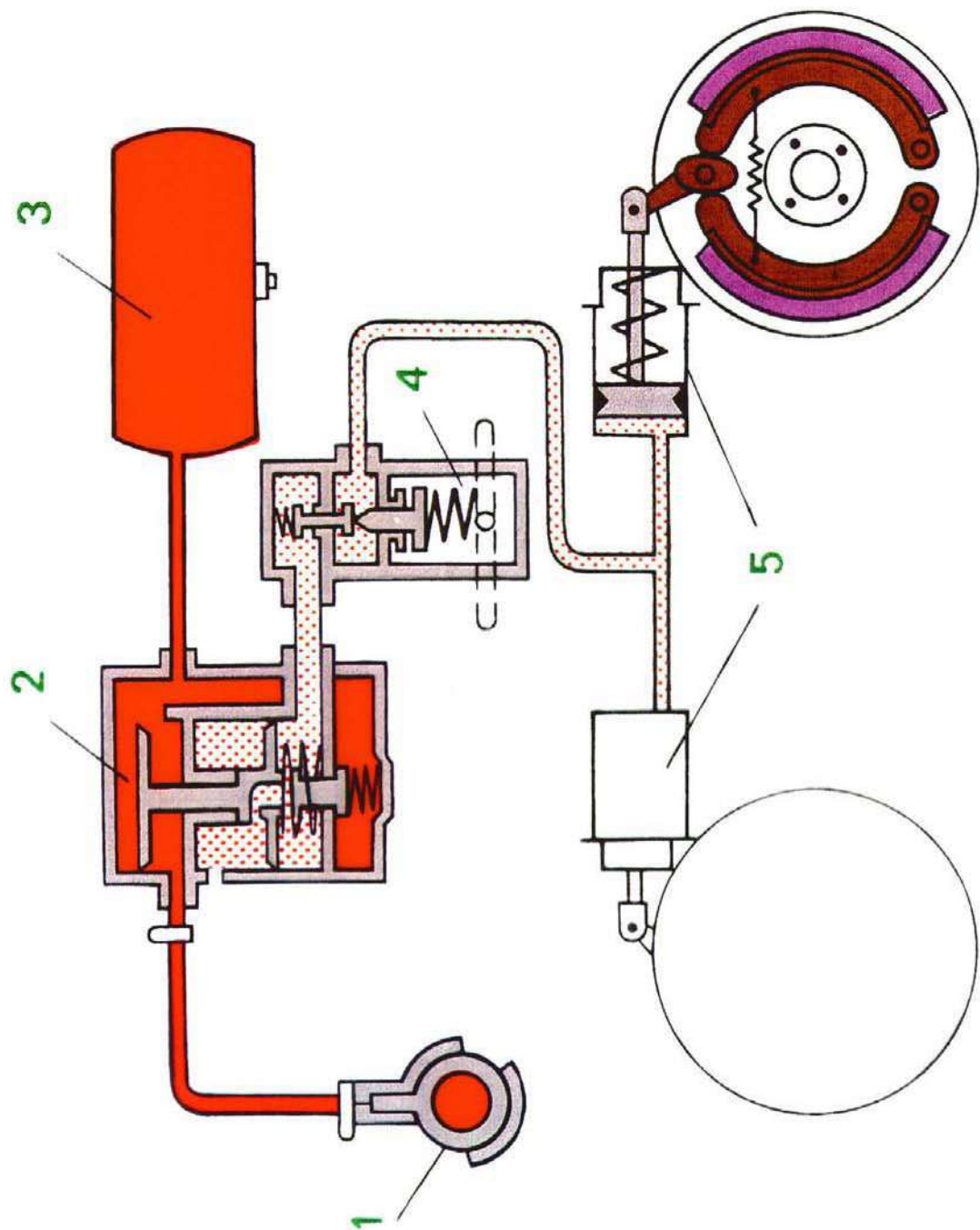




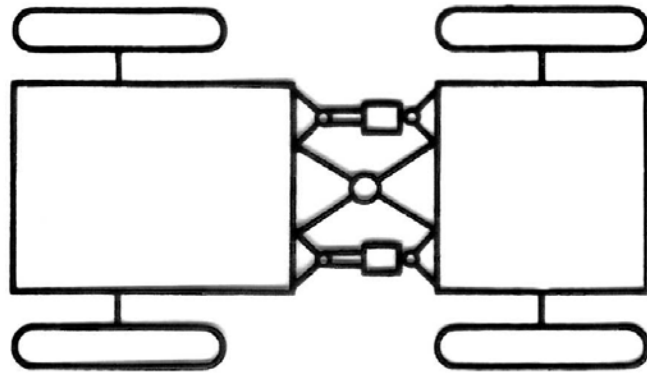
0



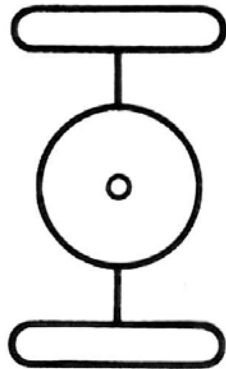
0



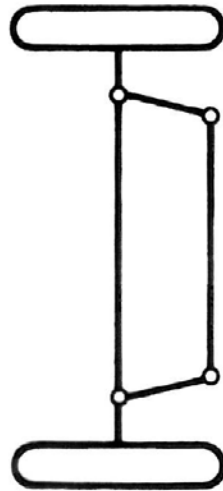




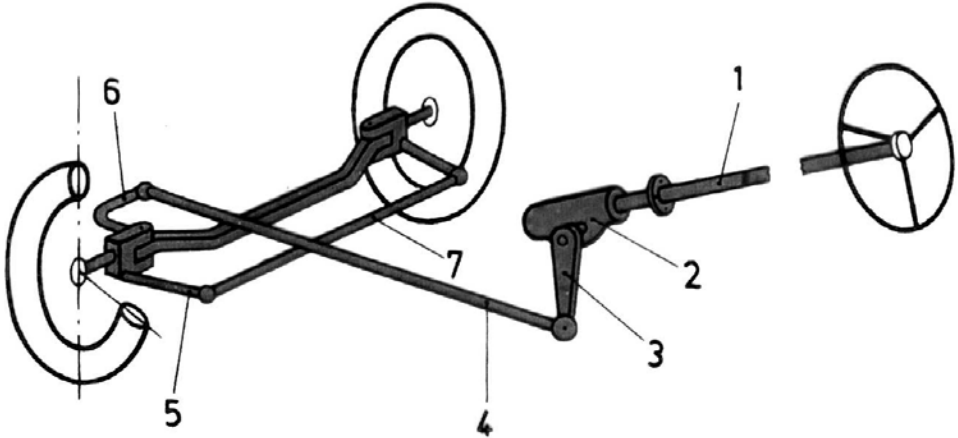
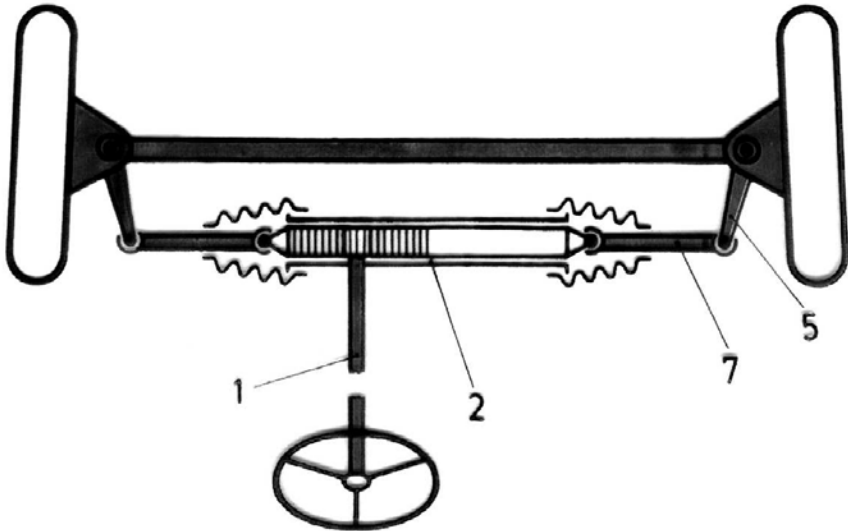
3

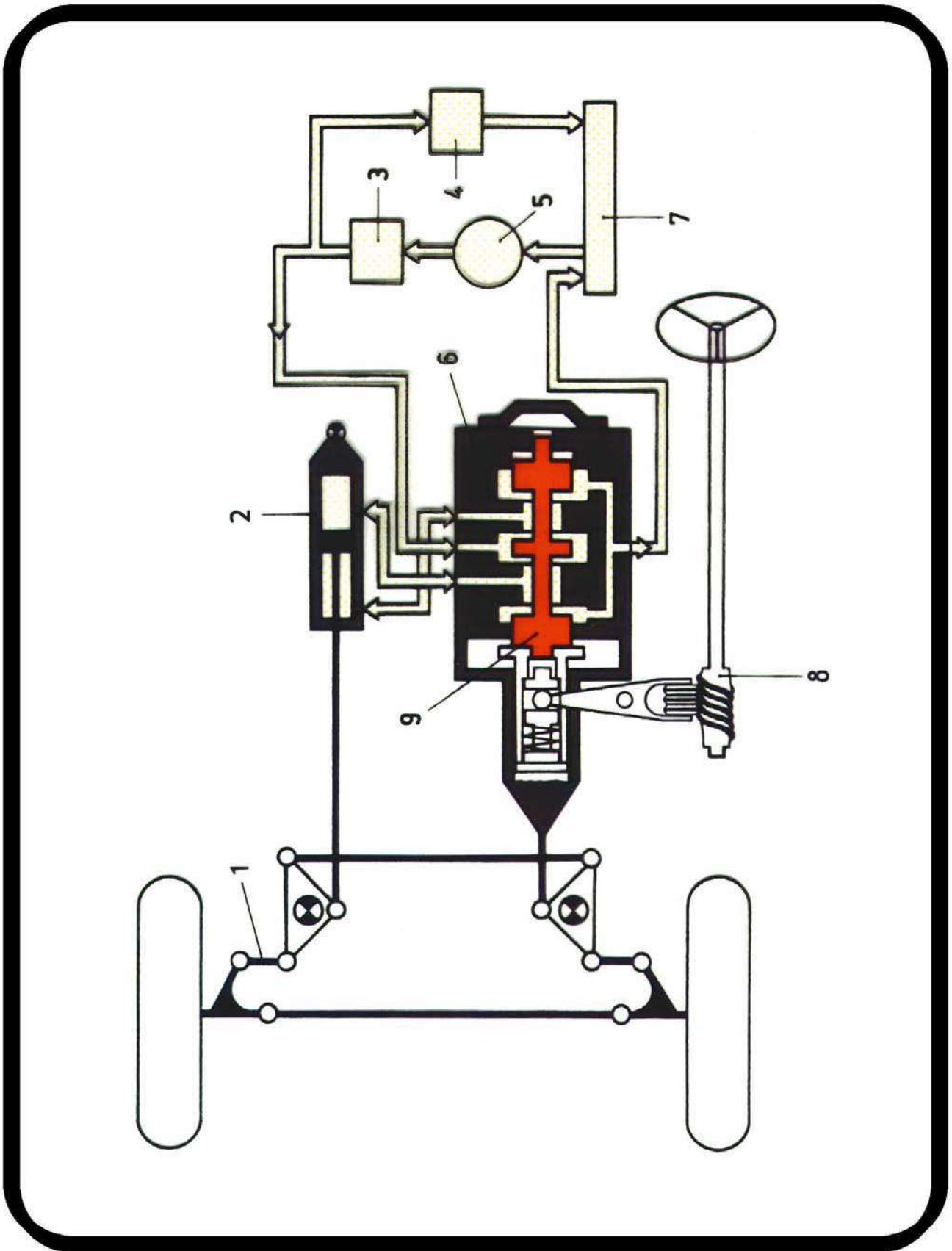


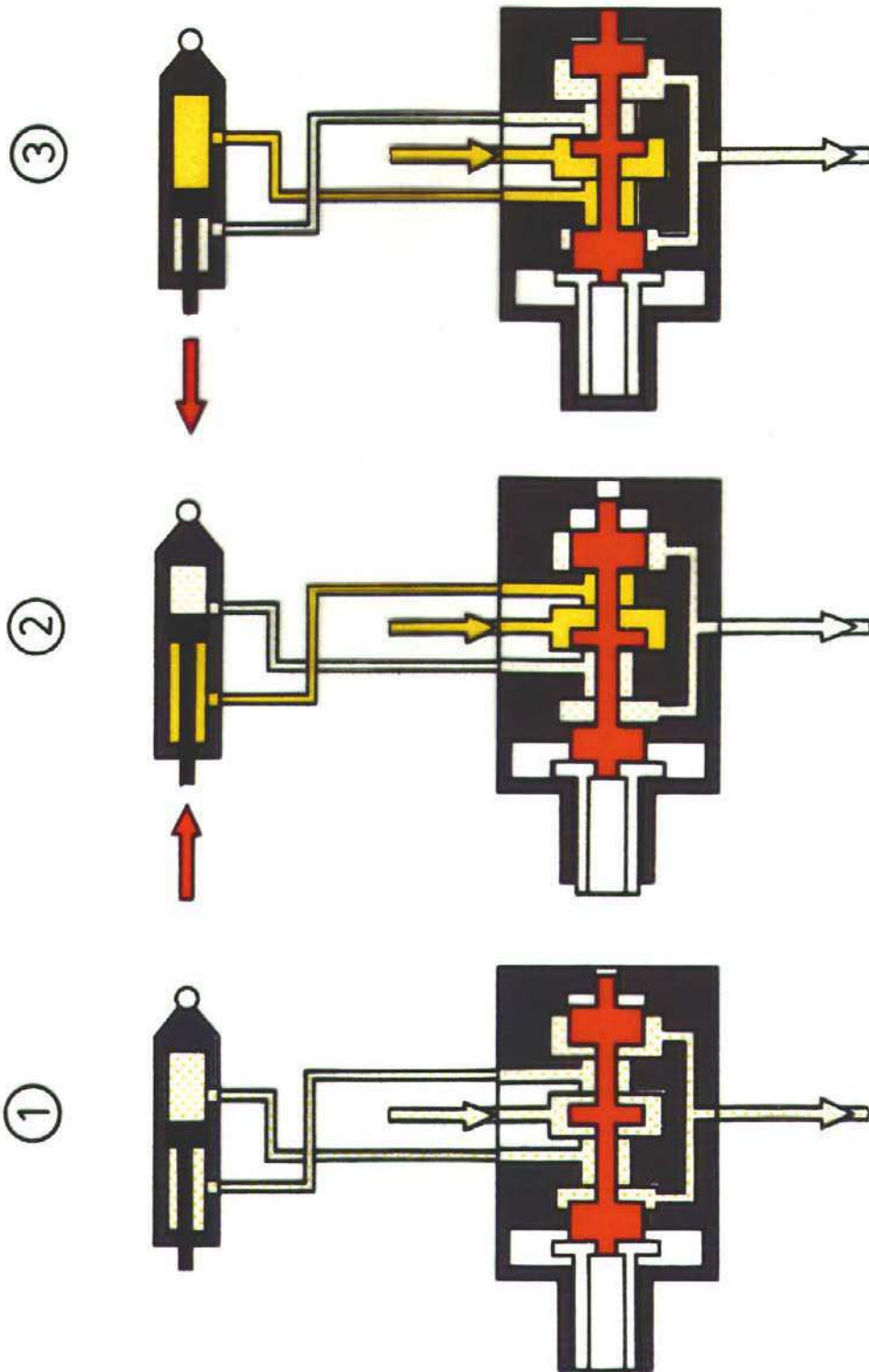
1

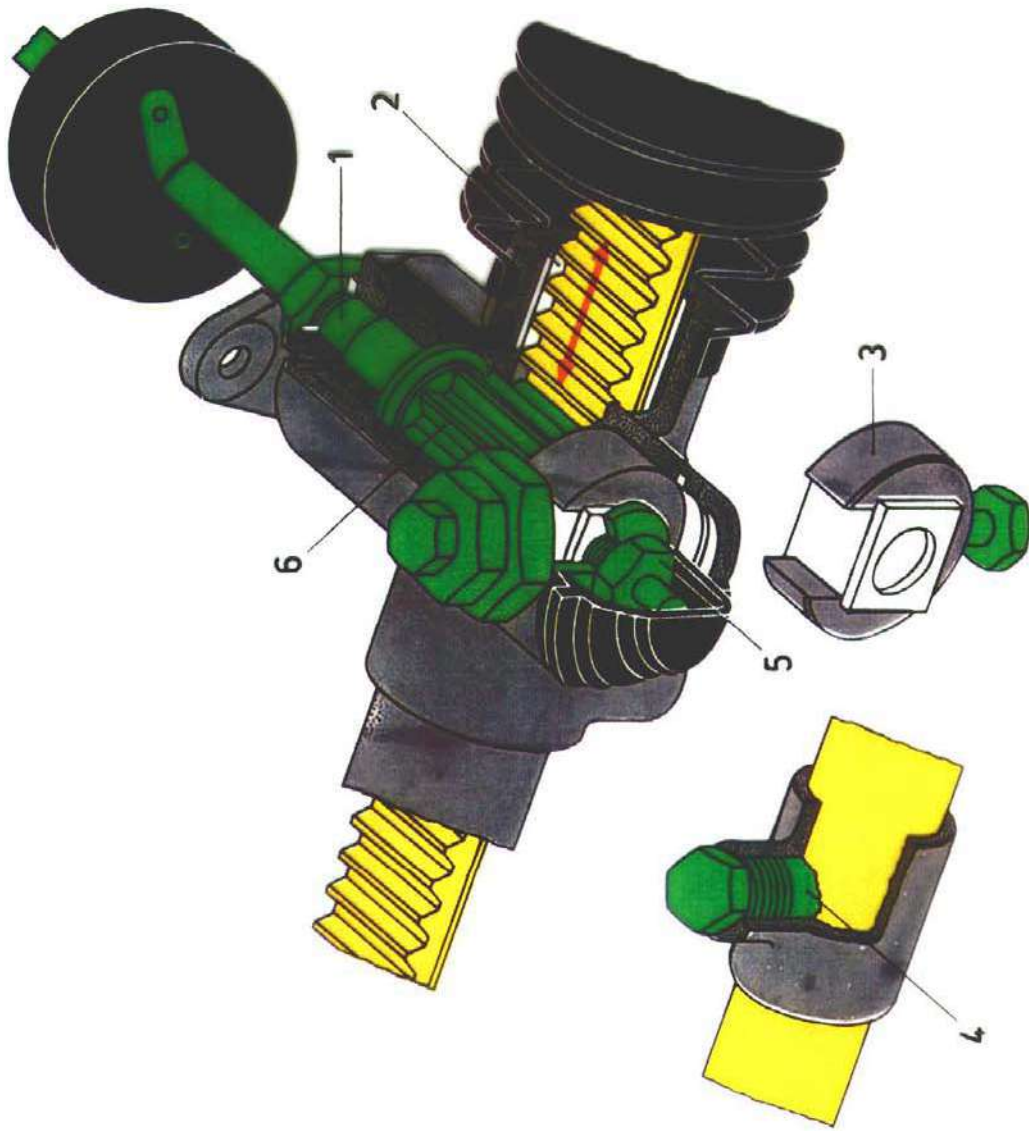


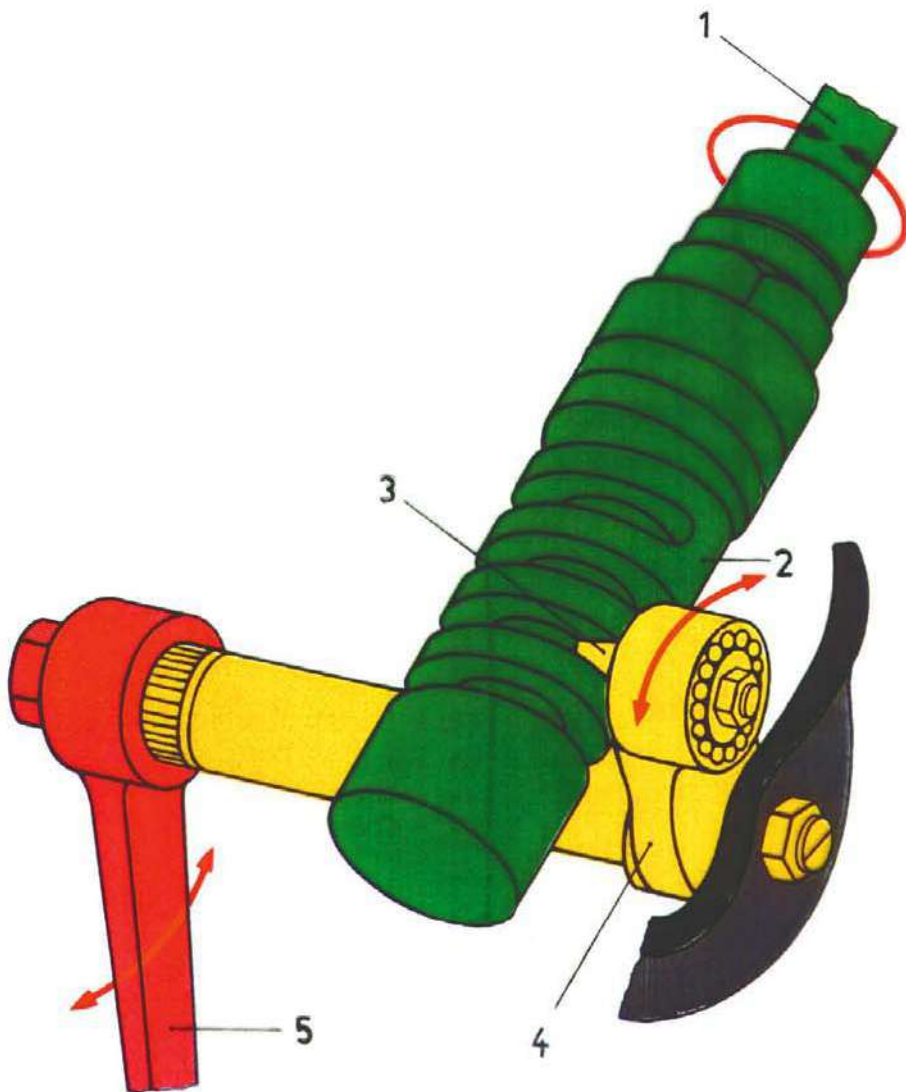
2

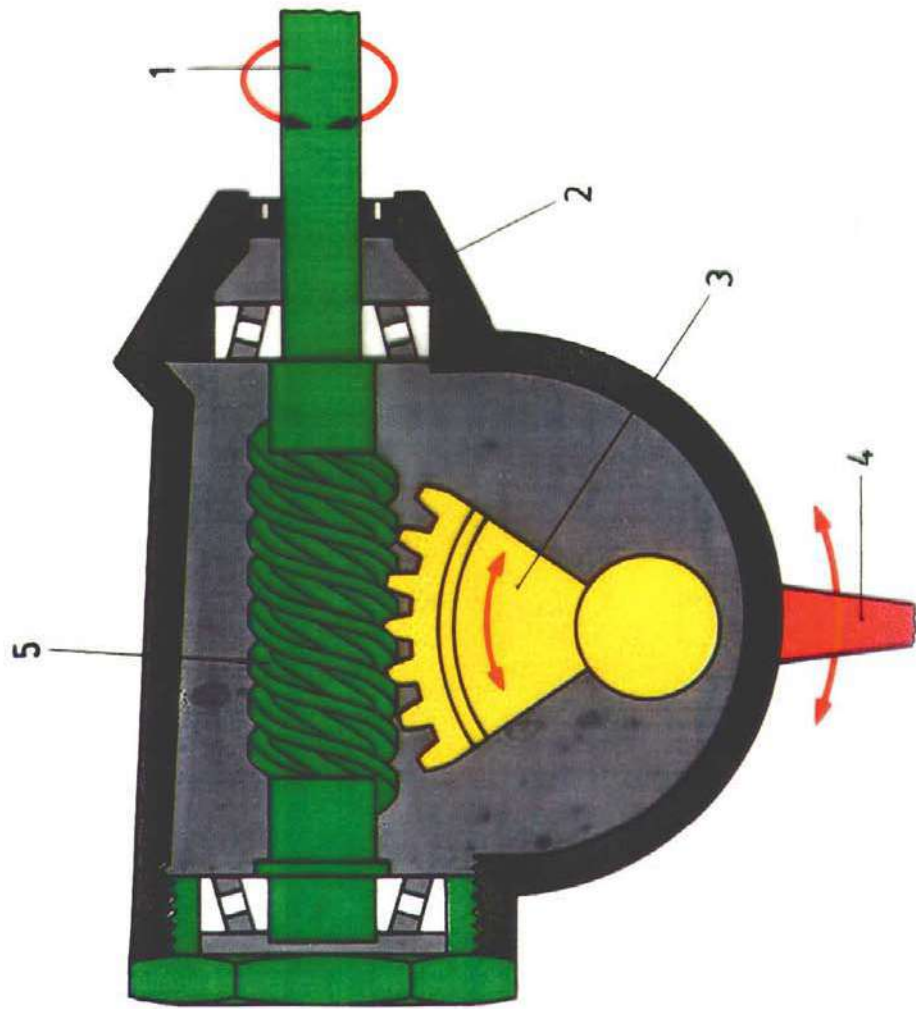


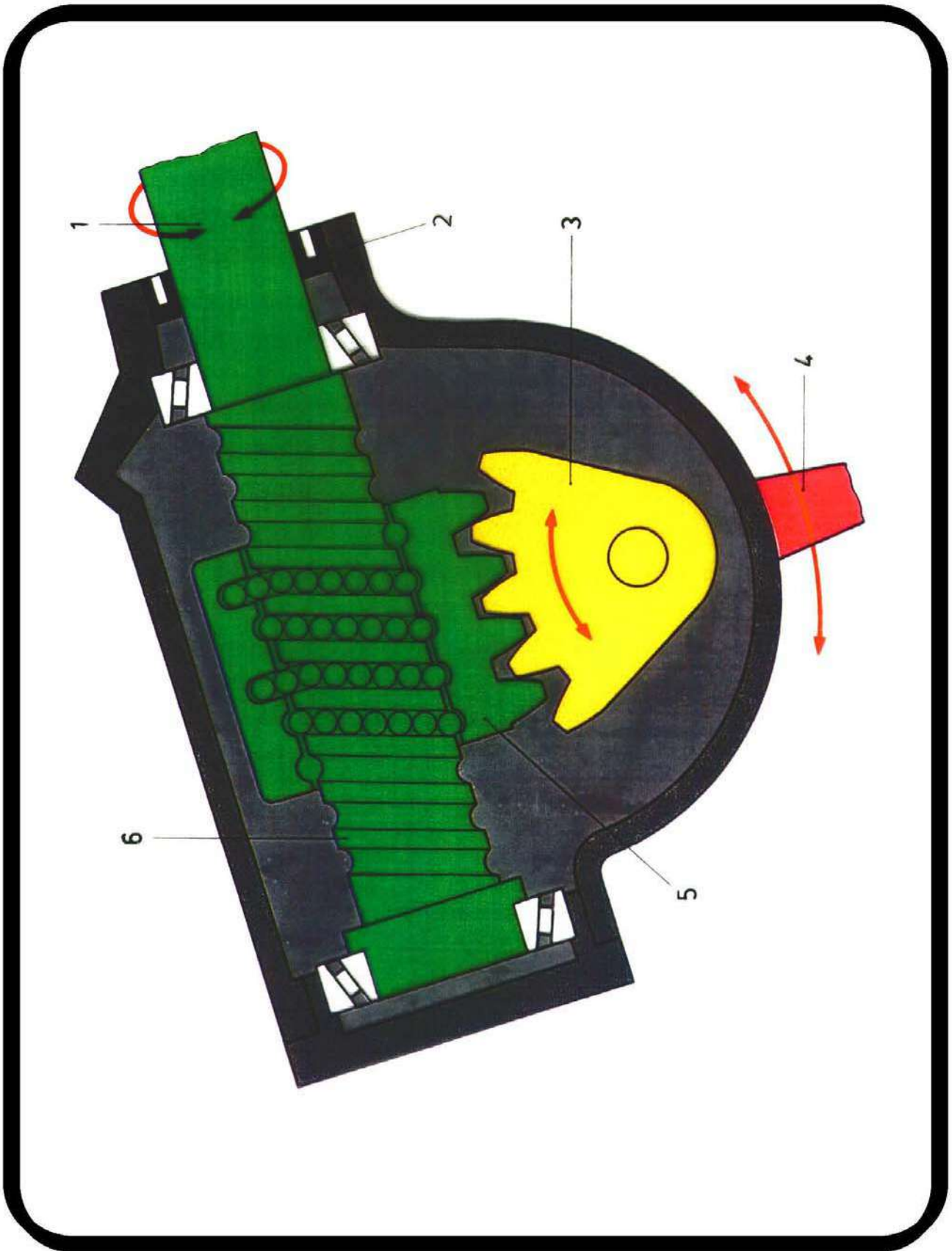






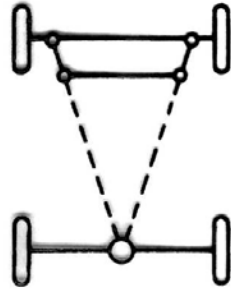




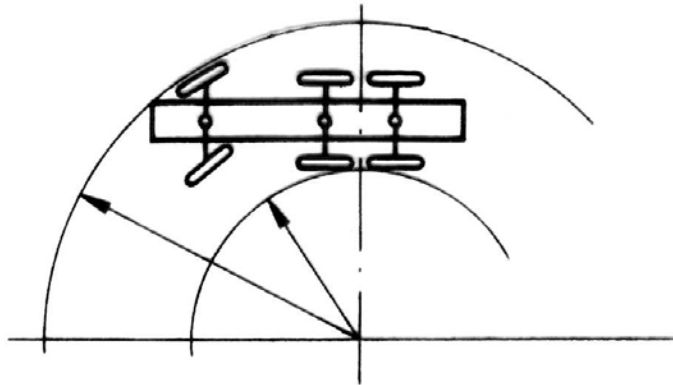




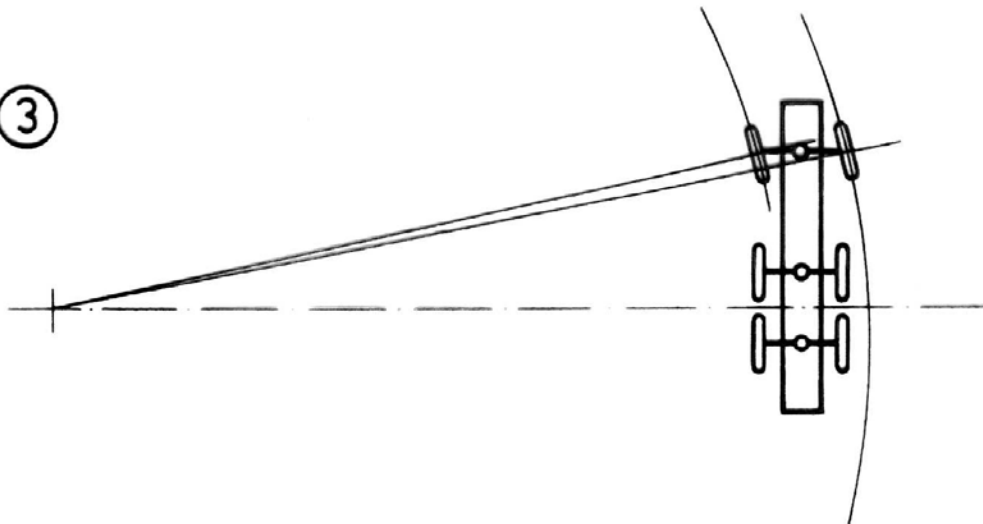
①

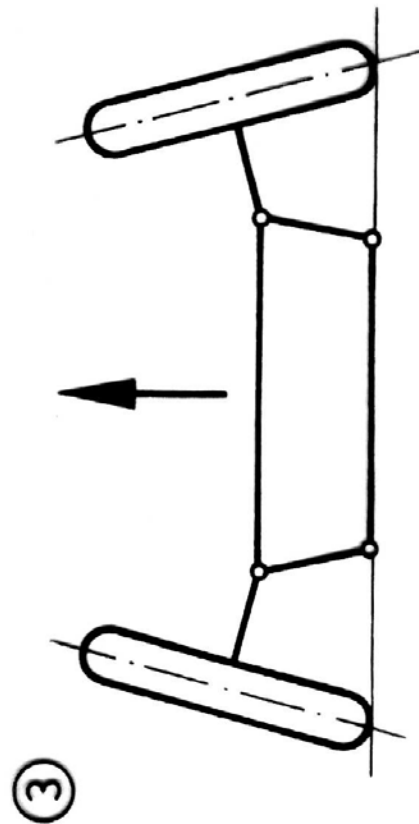
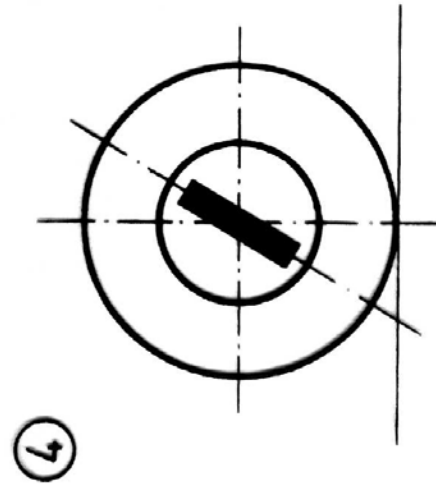
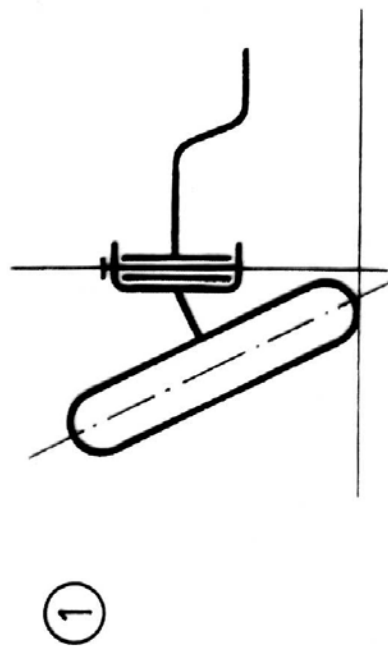
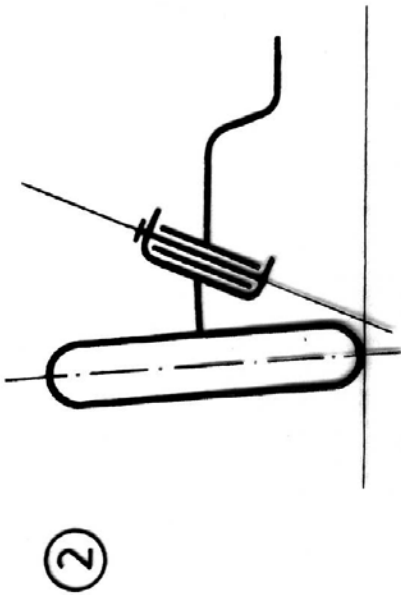


②

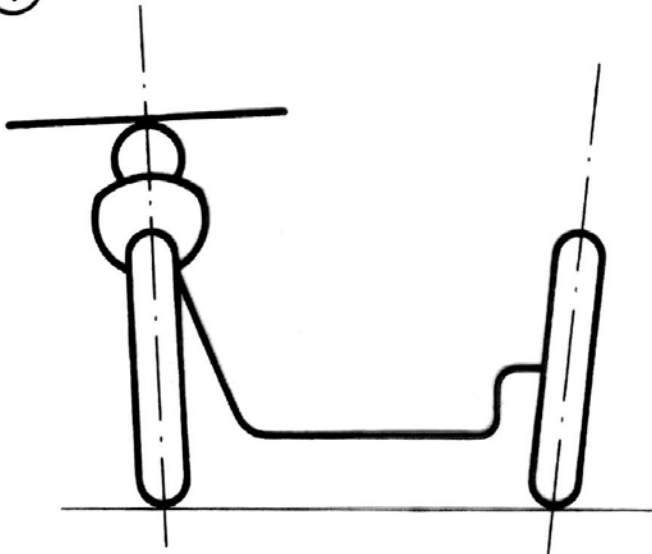


③

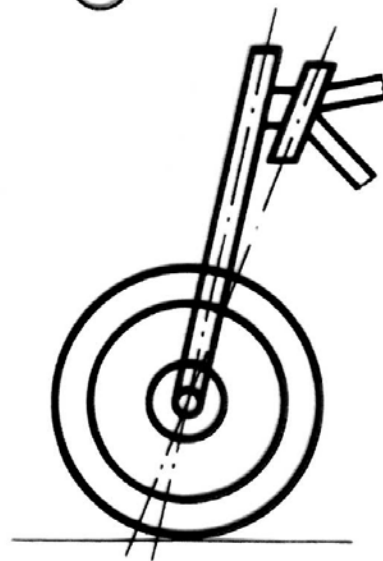




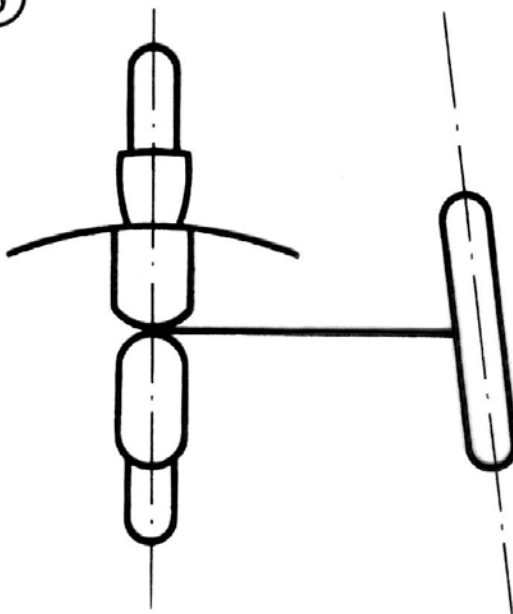
①

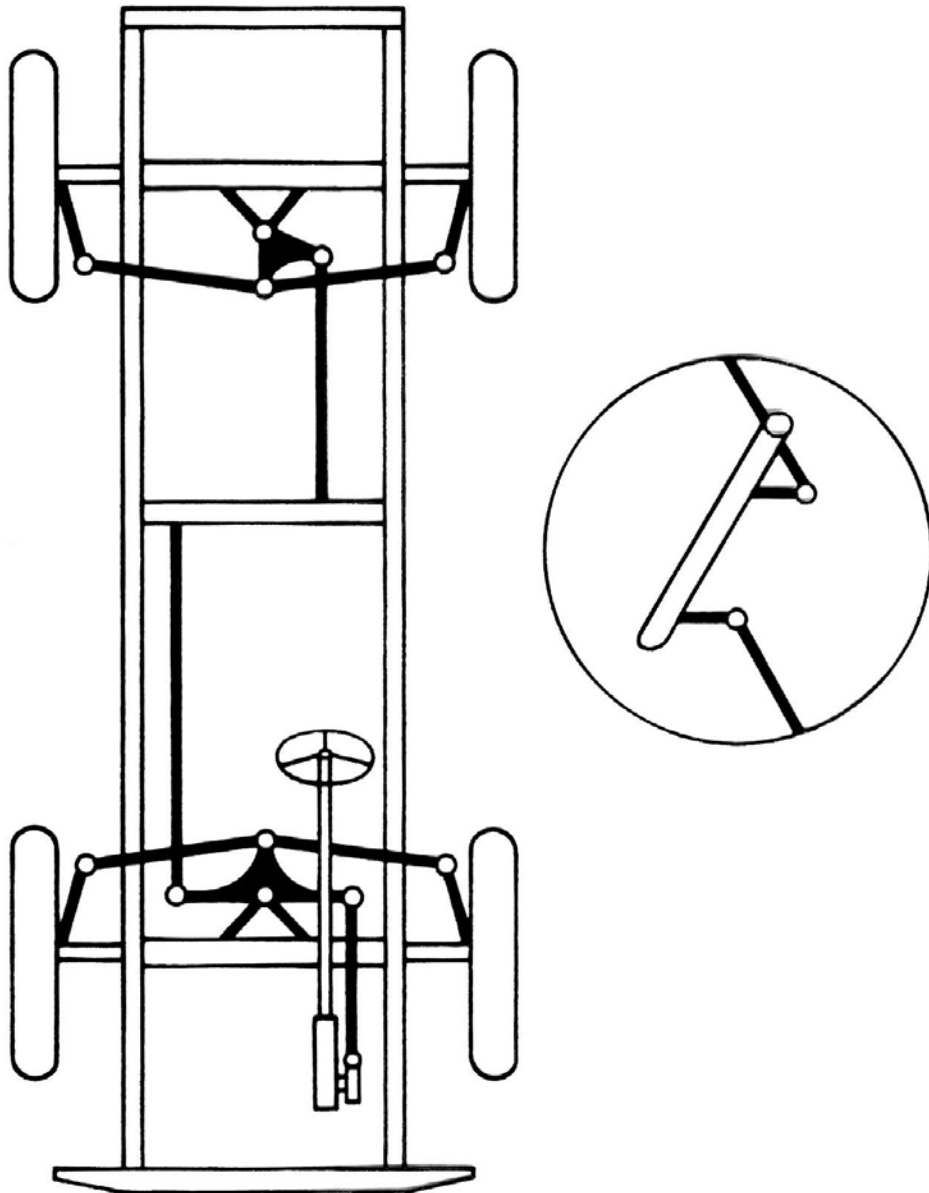


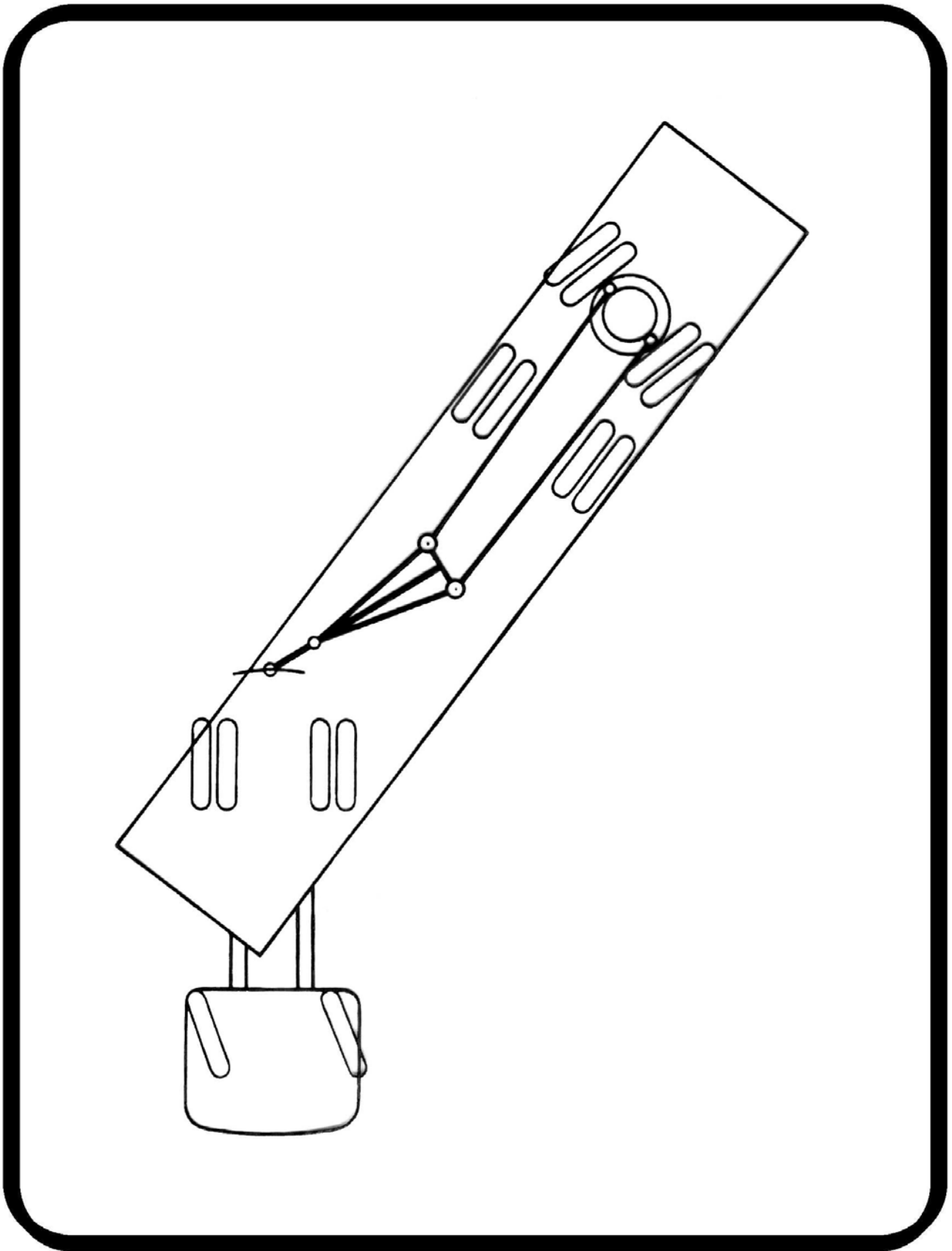
②

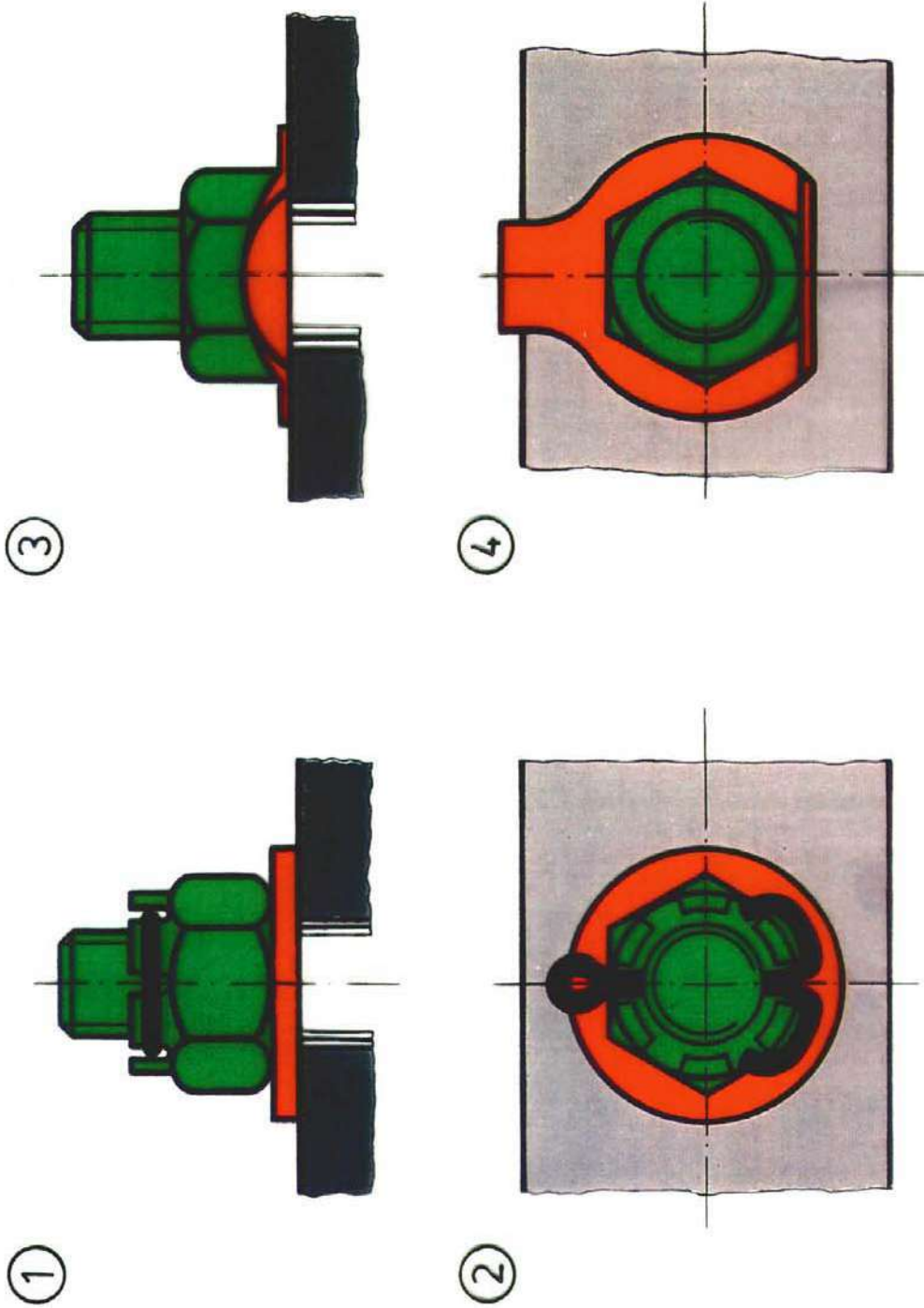


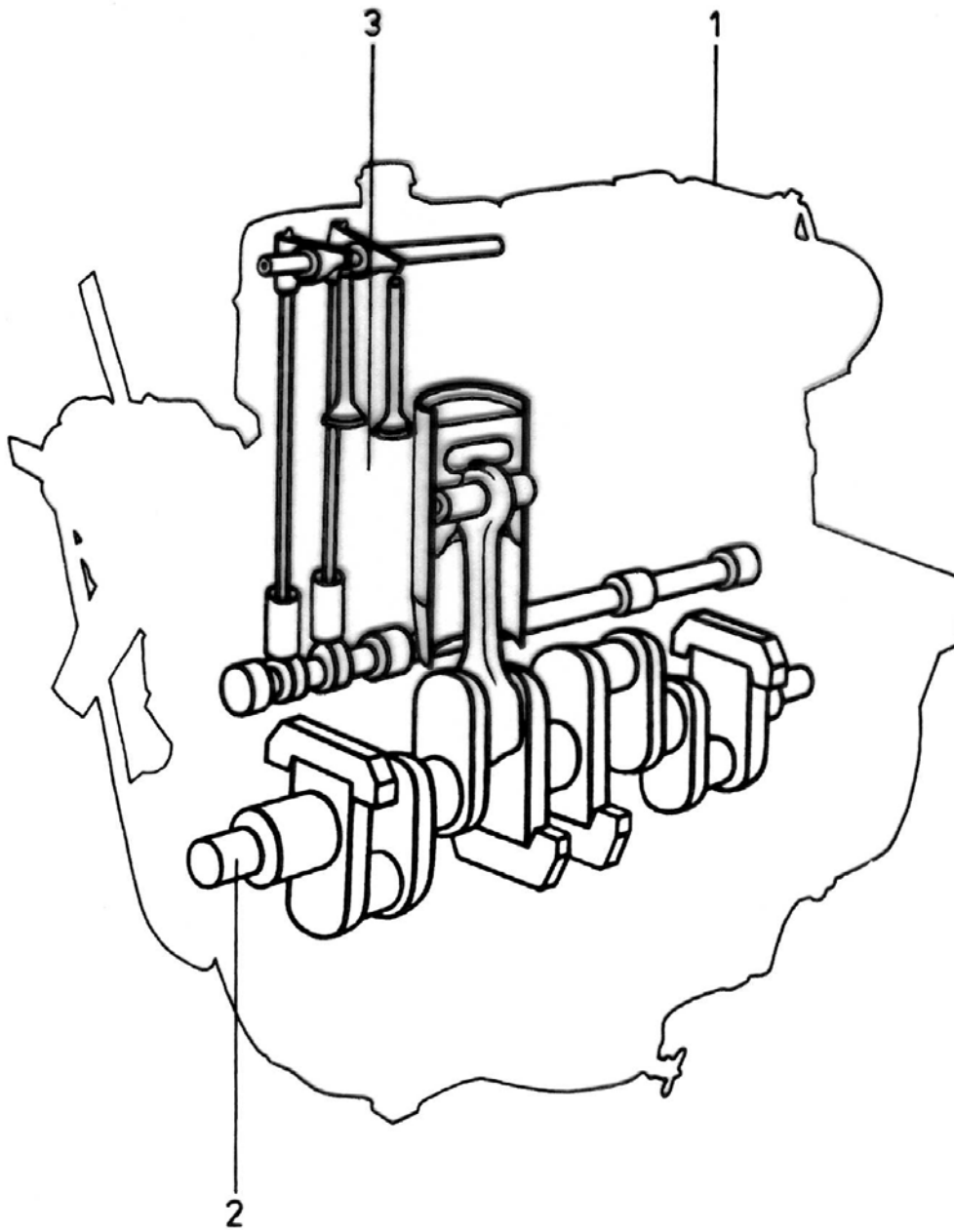
③

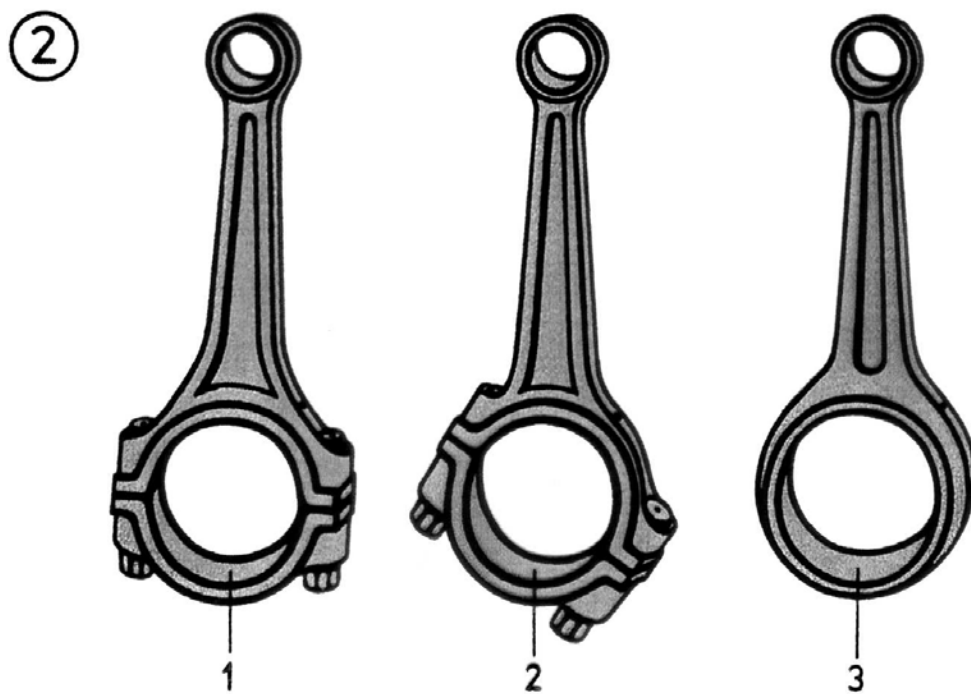
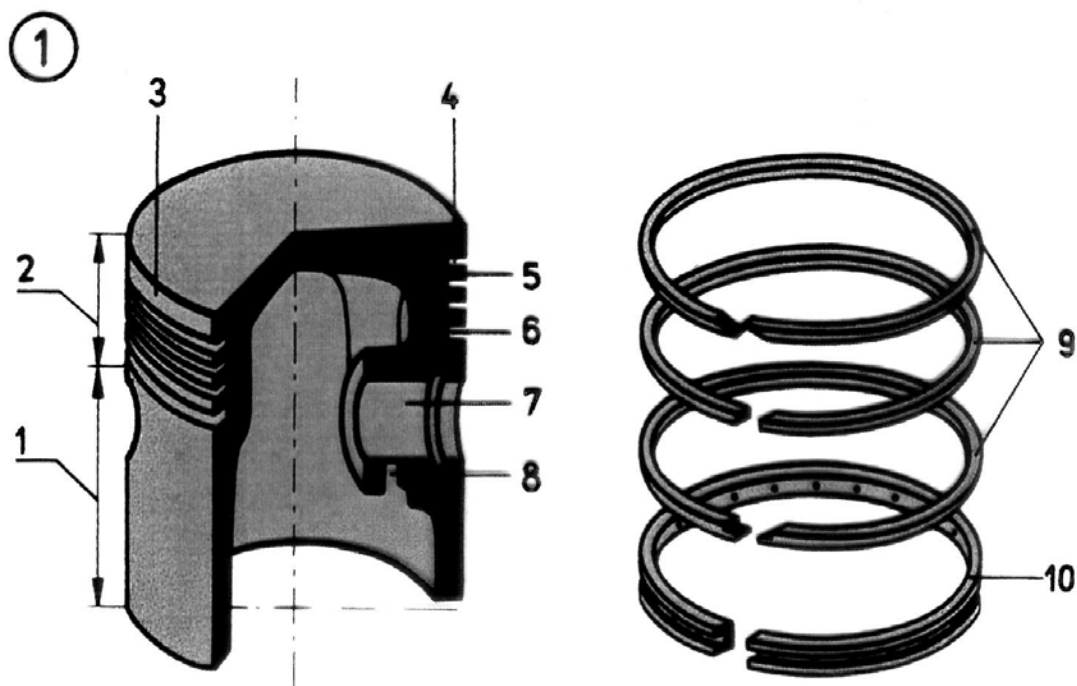




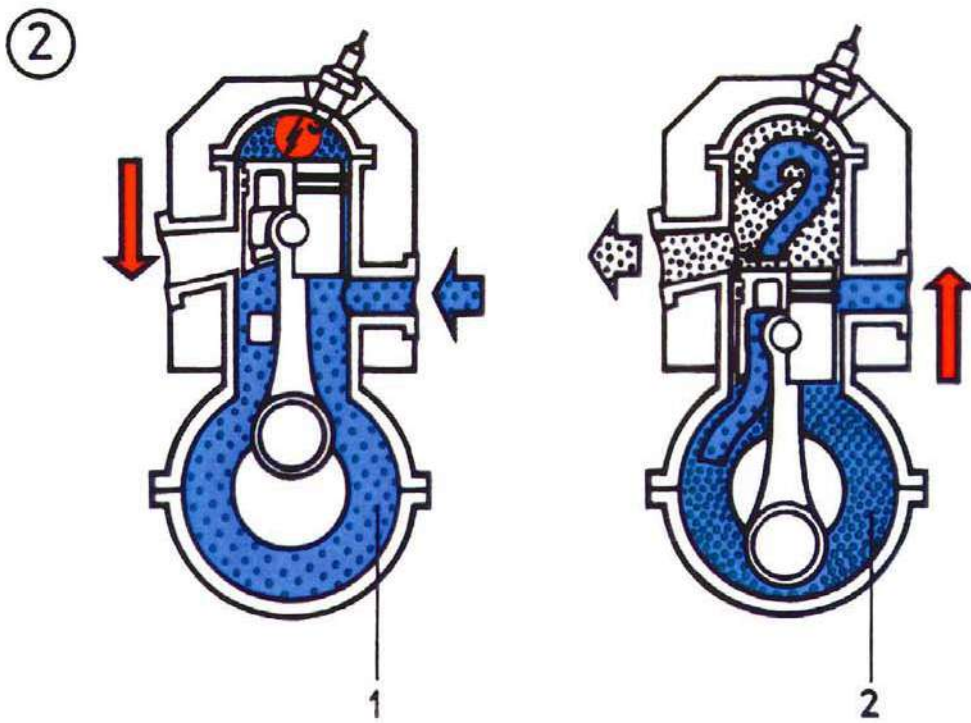
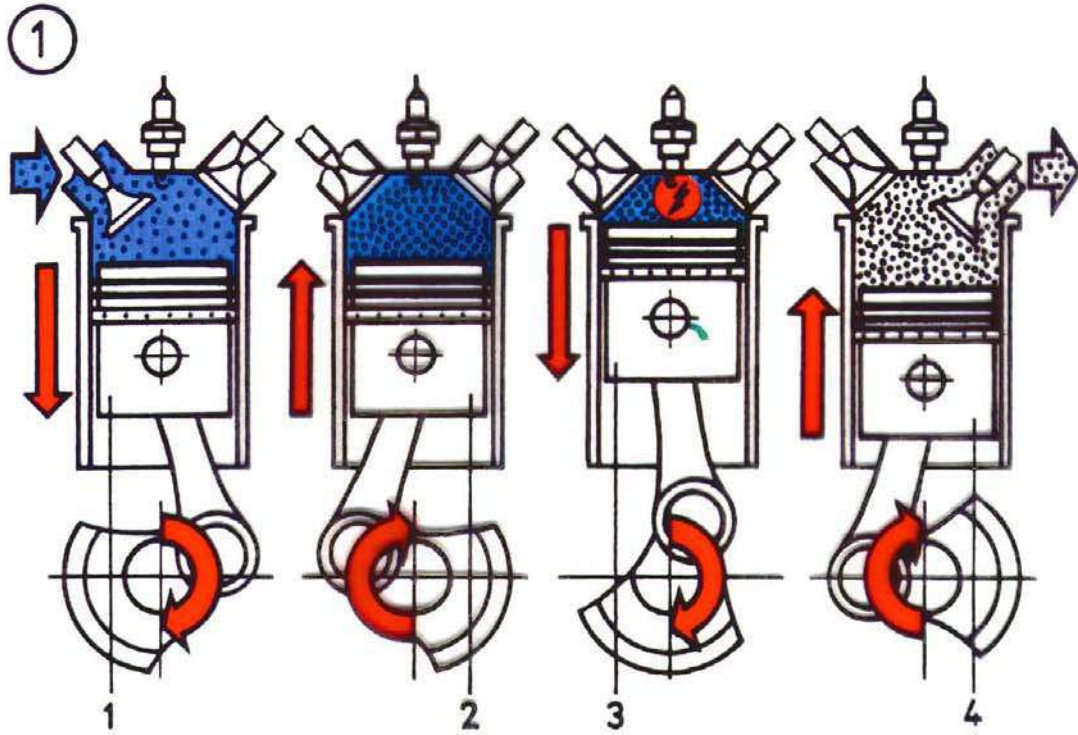


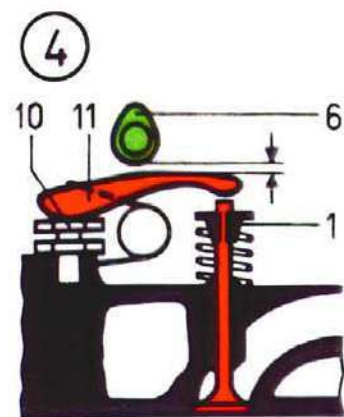
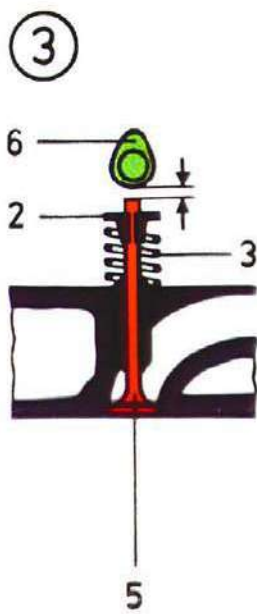
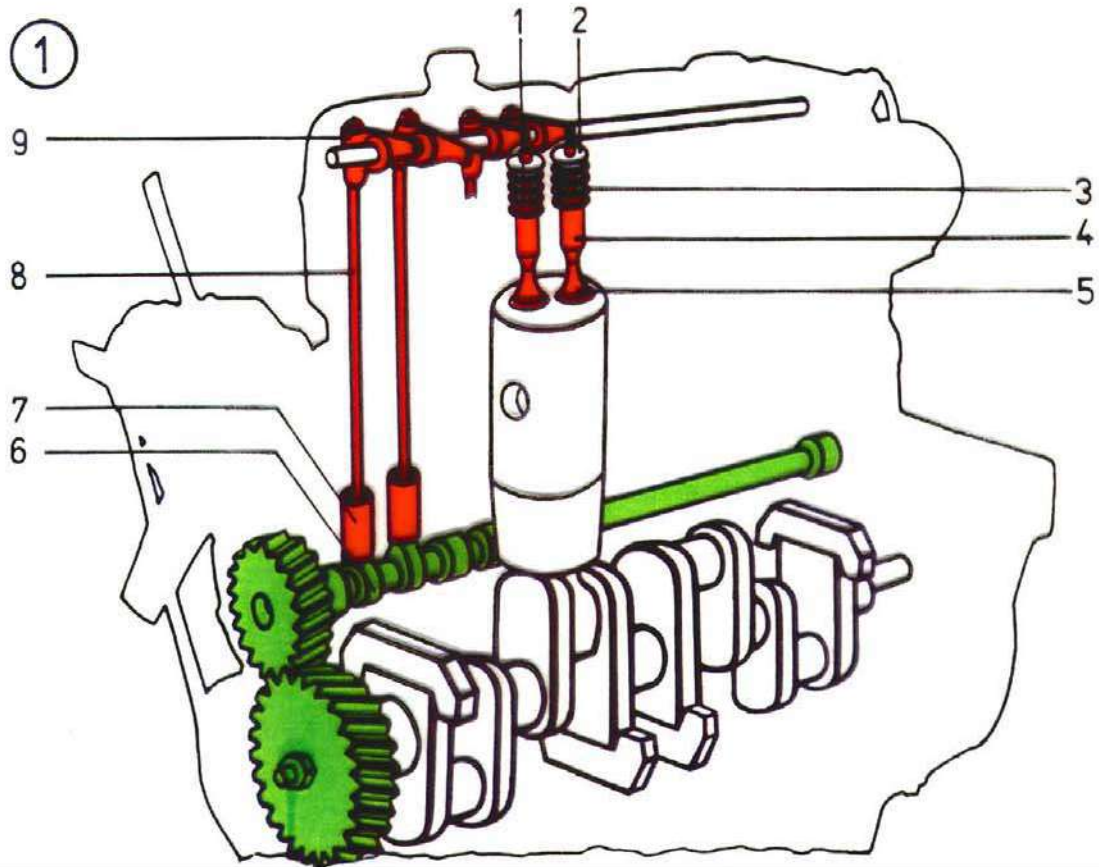


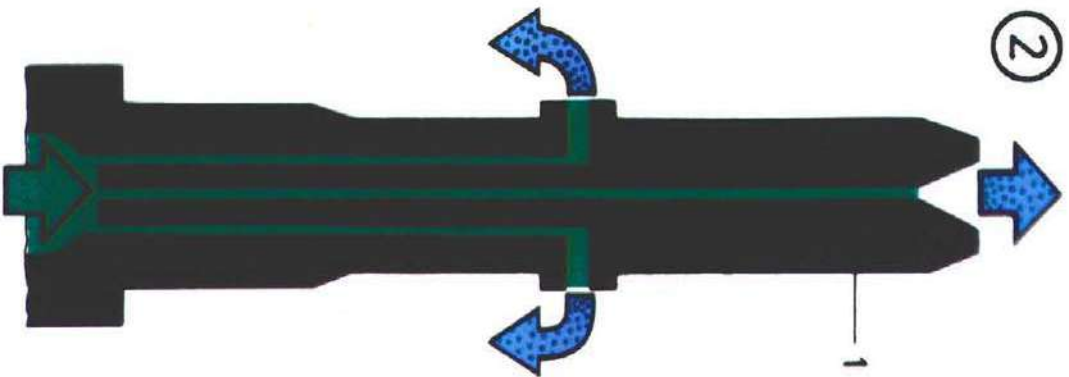
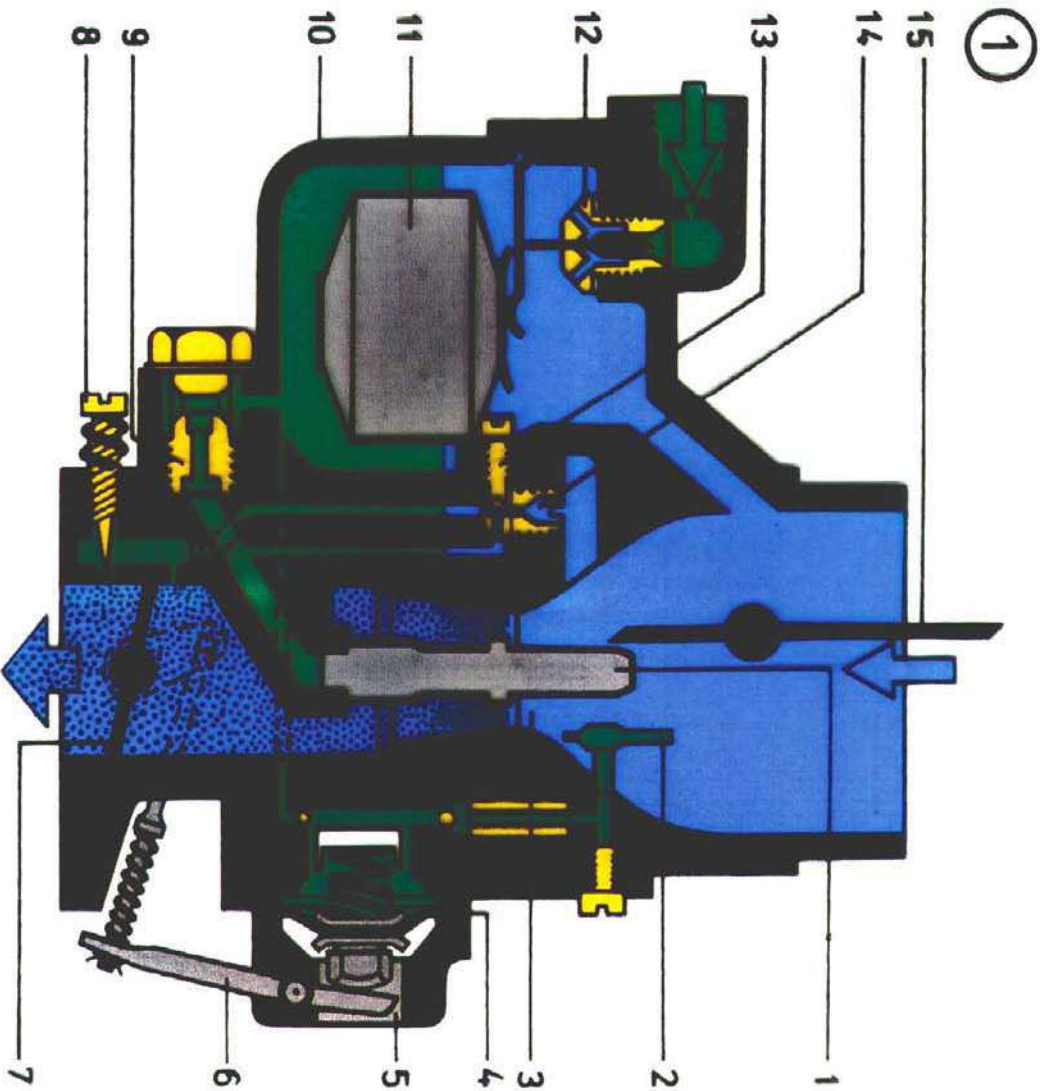


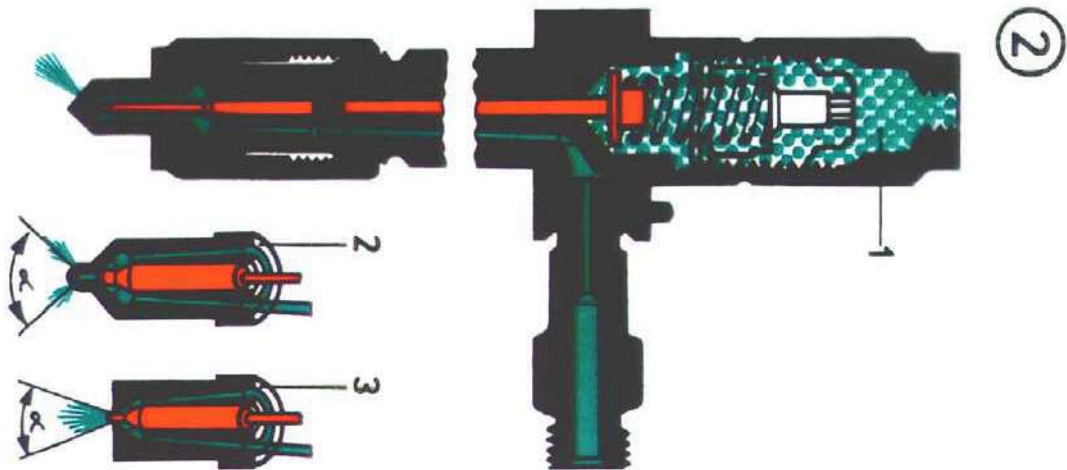
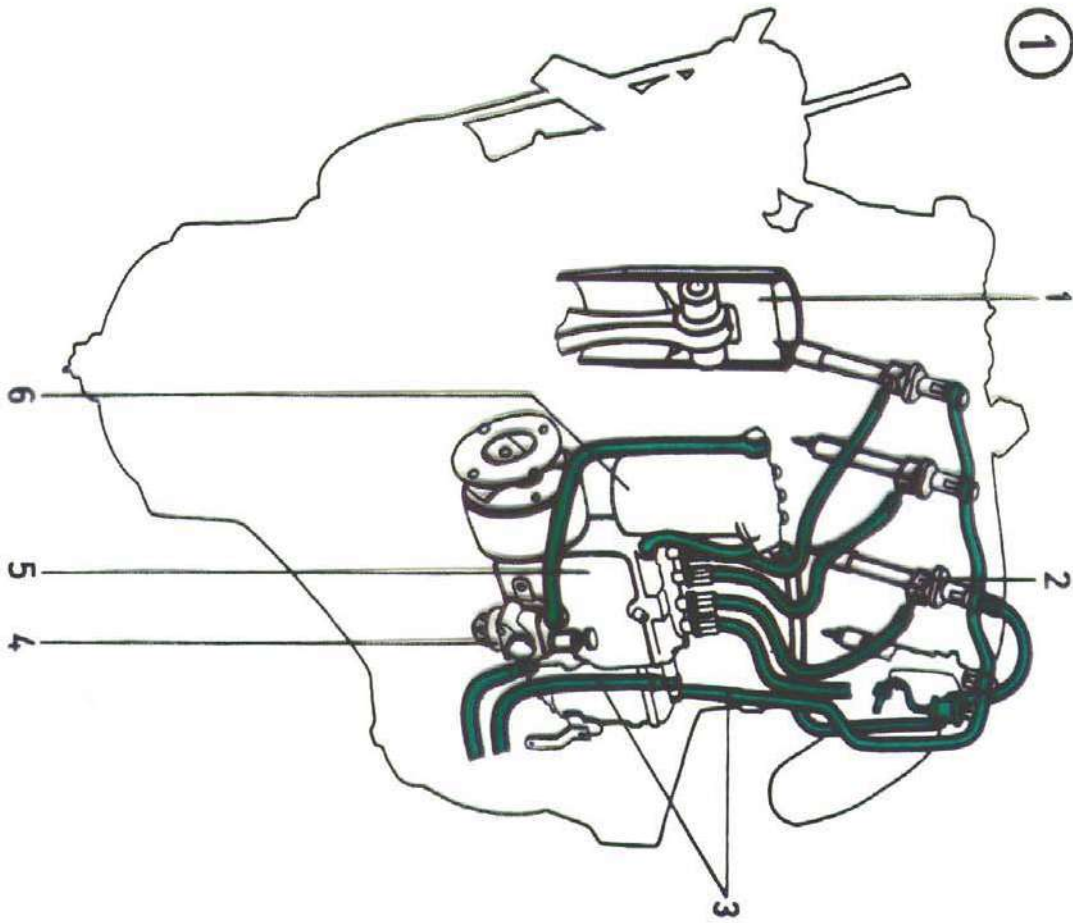


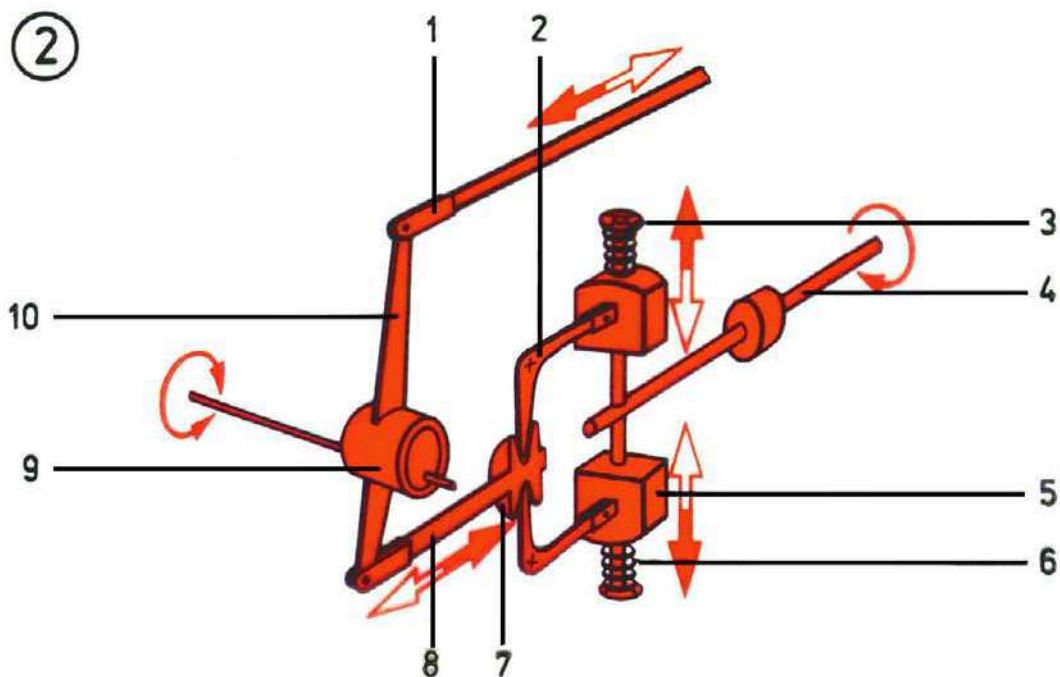
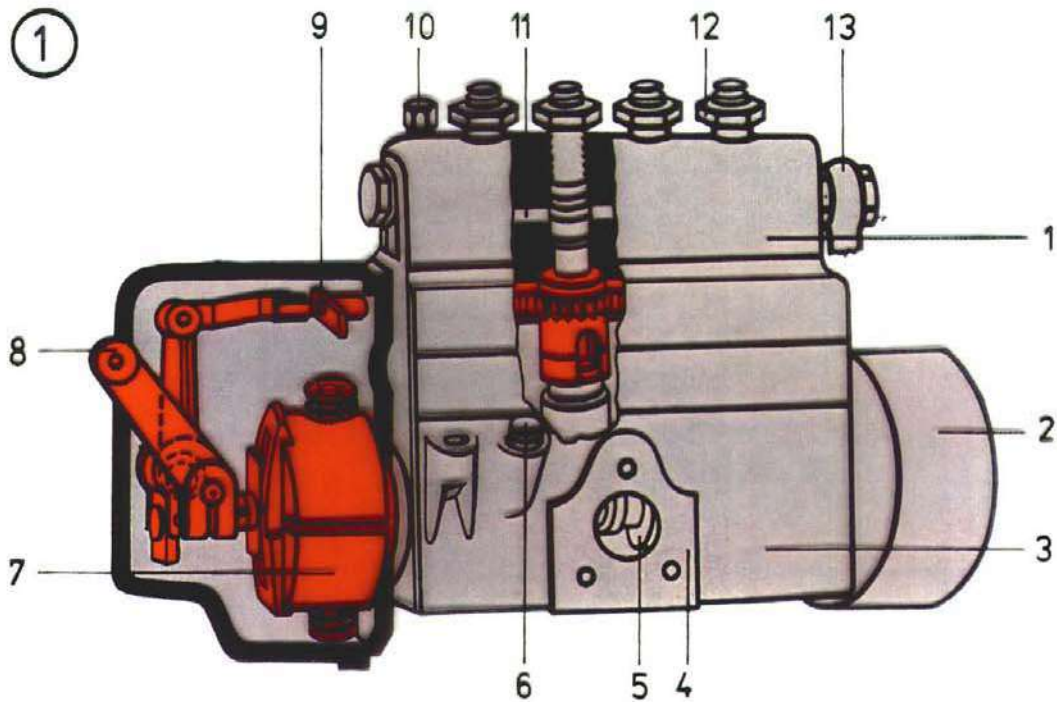




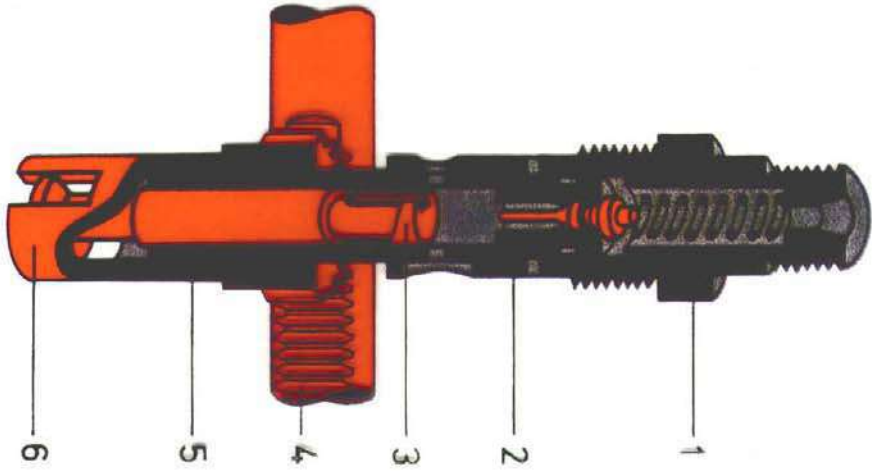




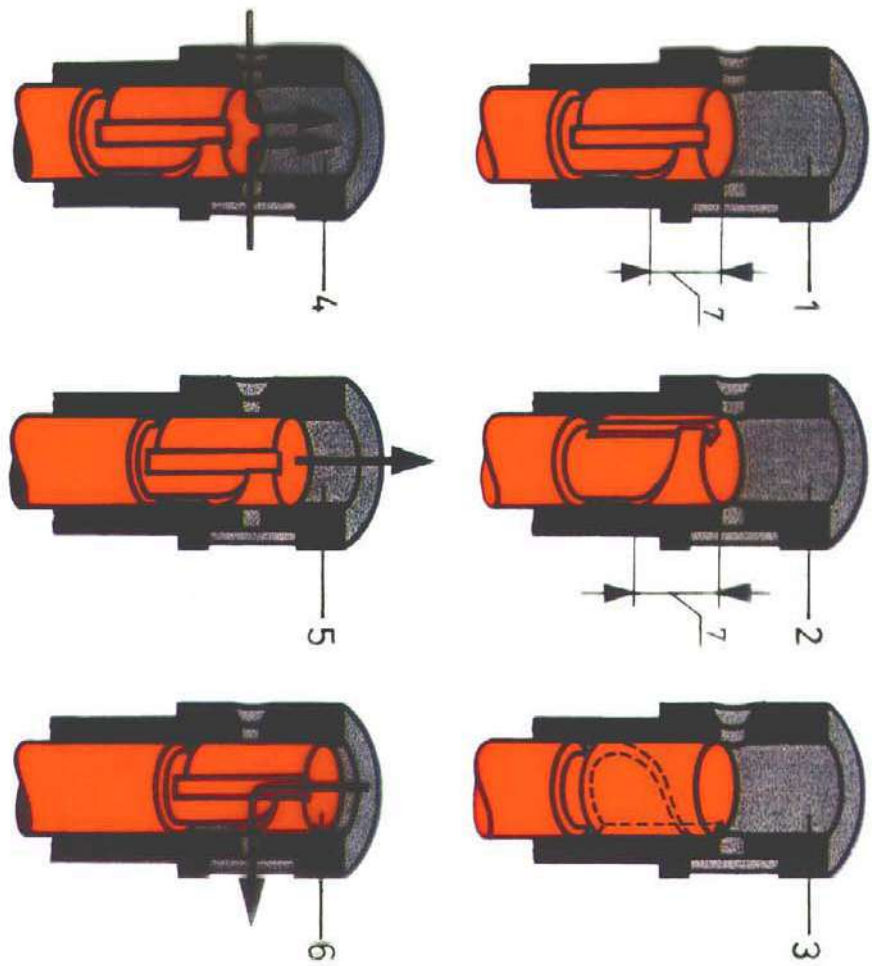




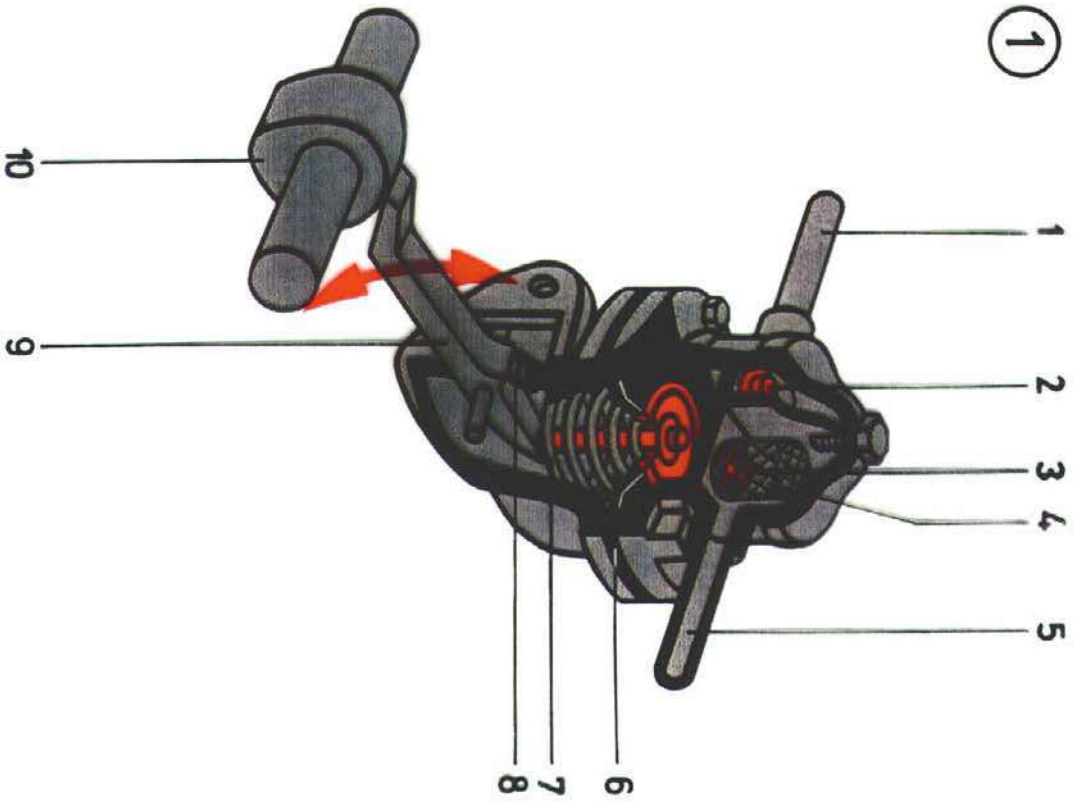
①



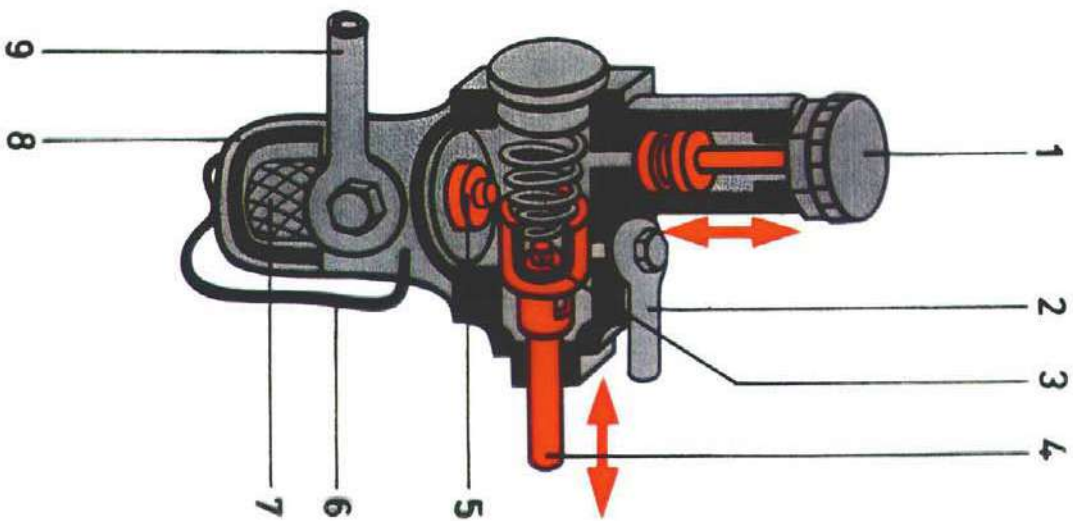
②

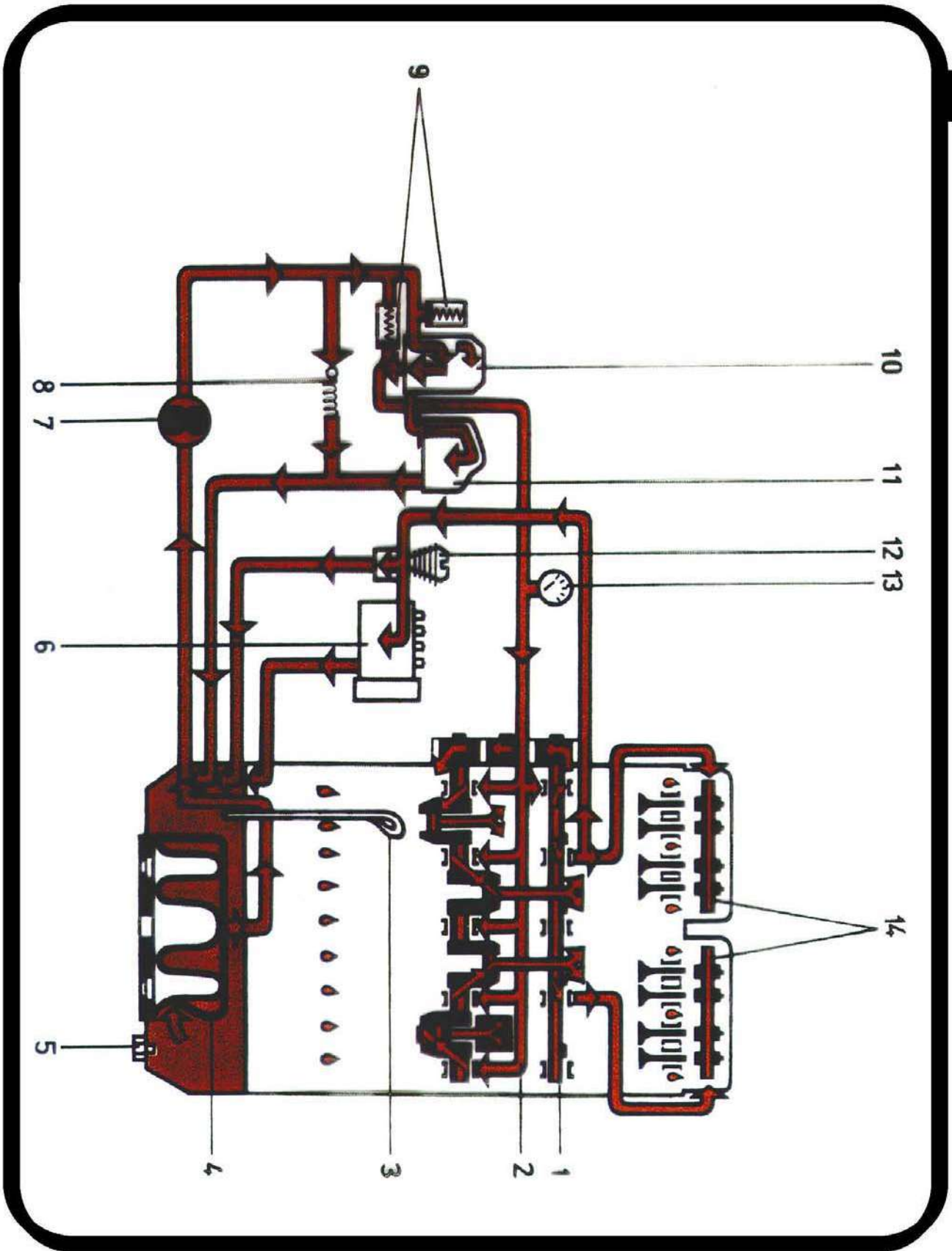


①



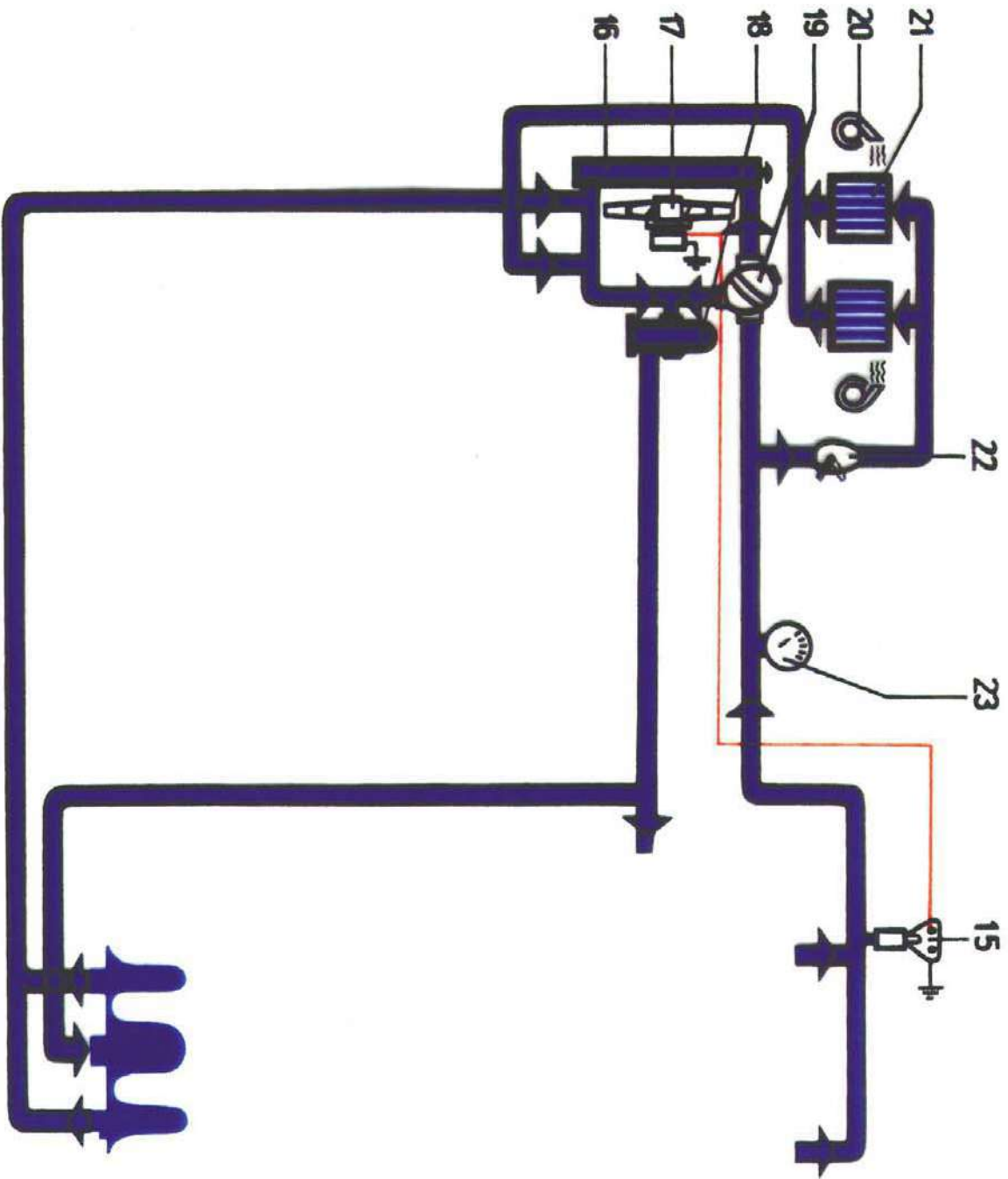
②

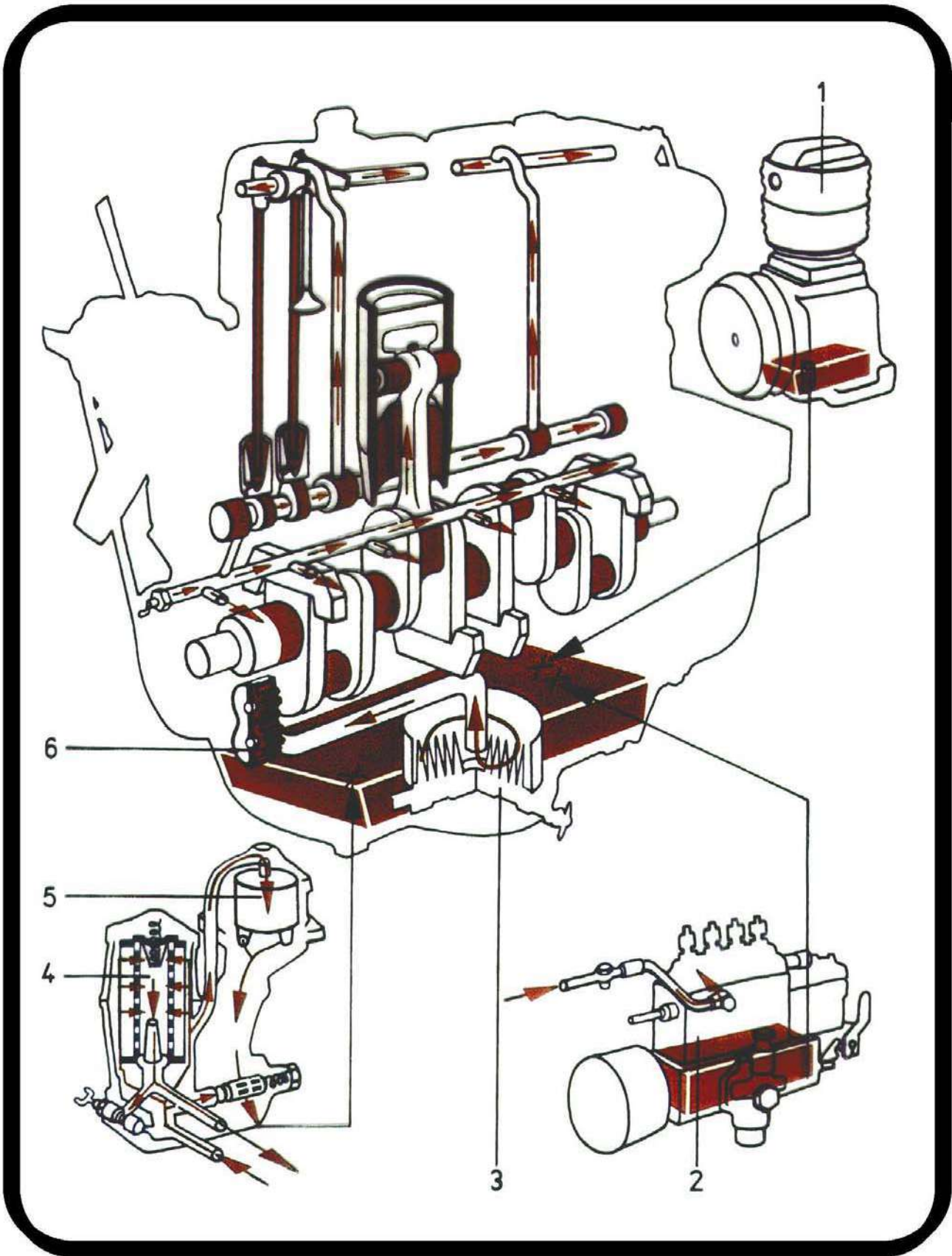


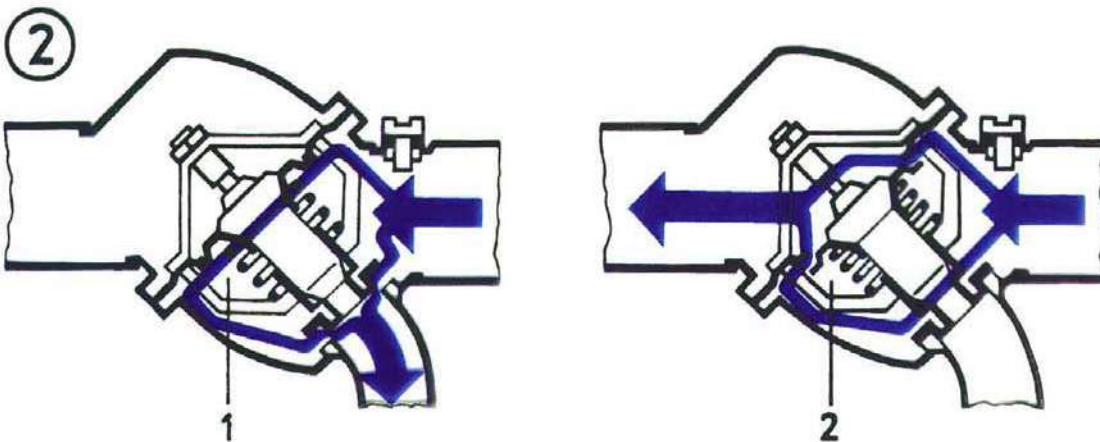
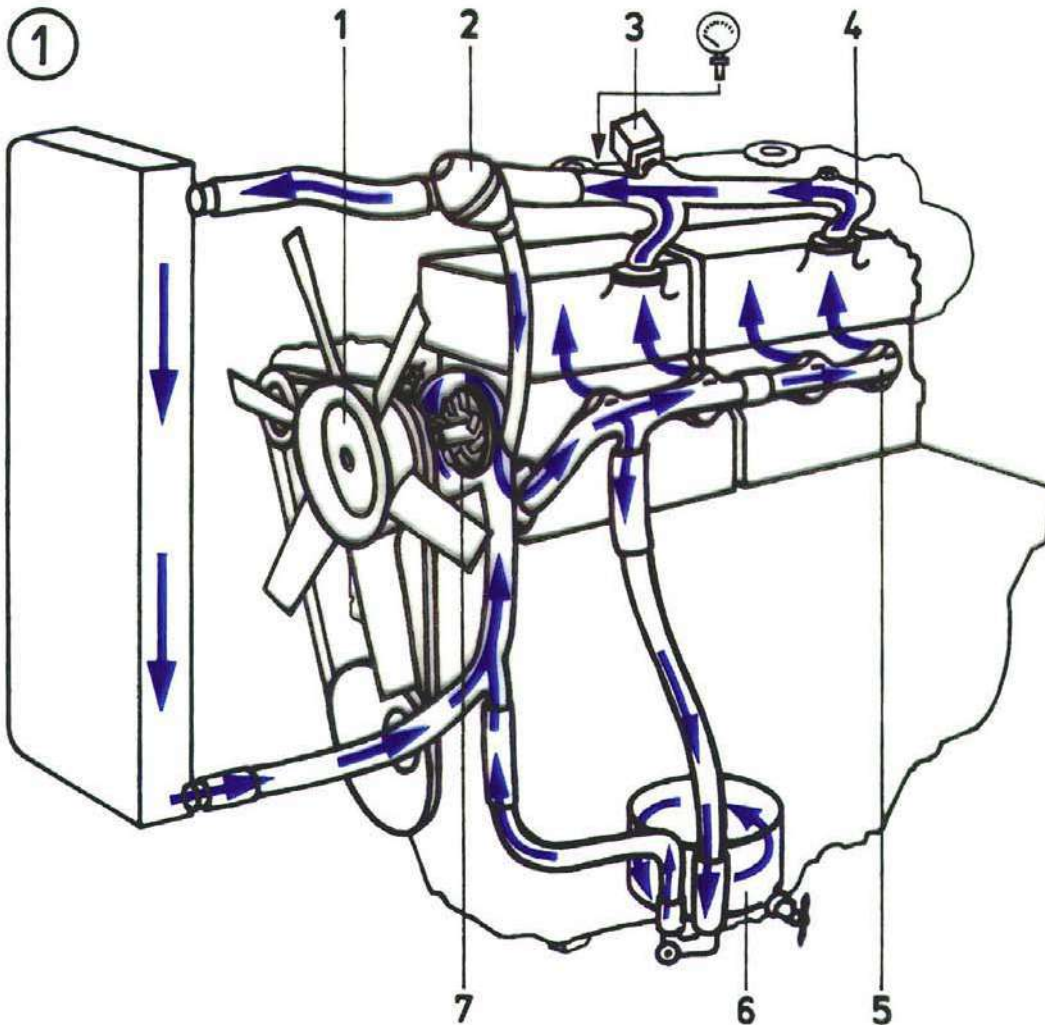


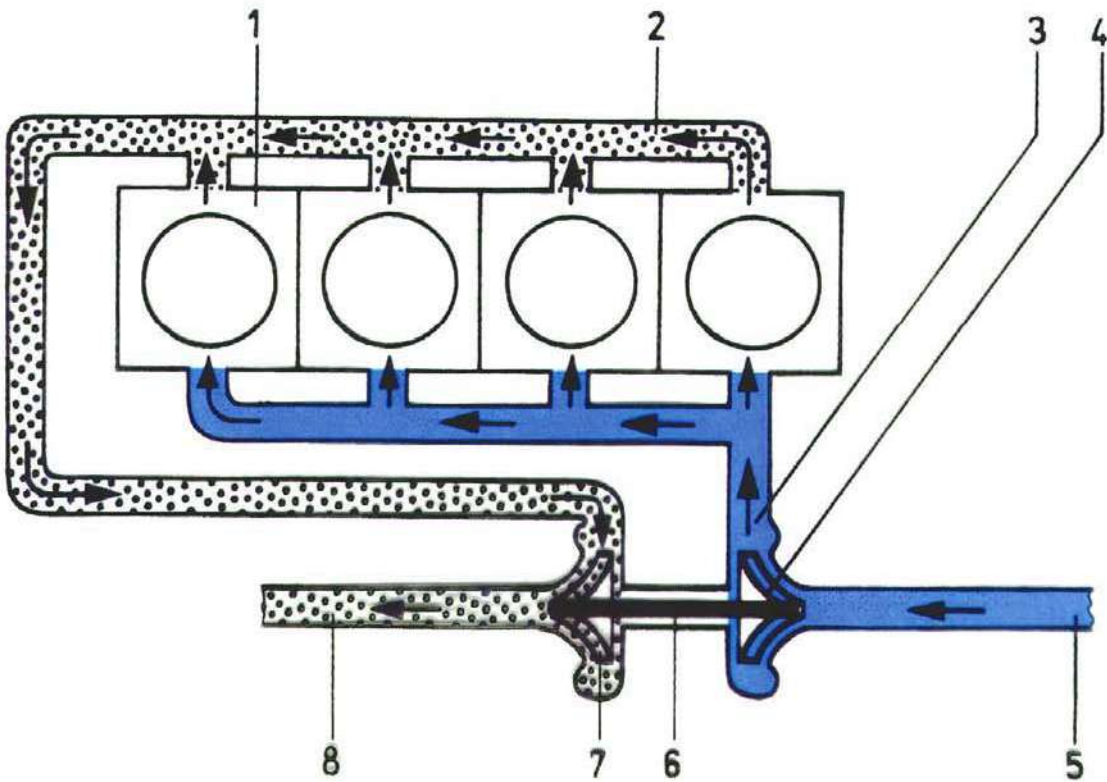
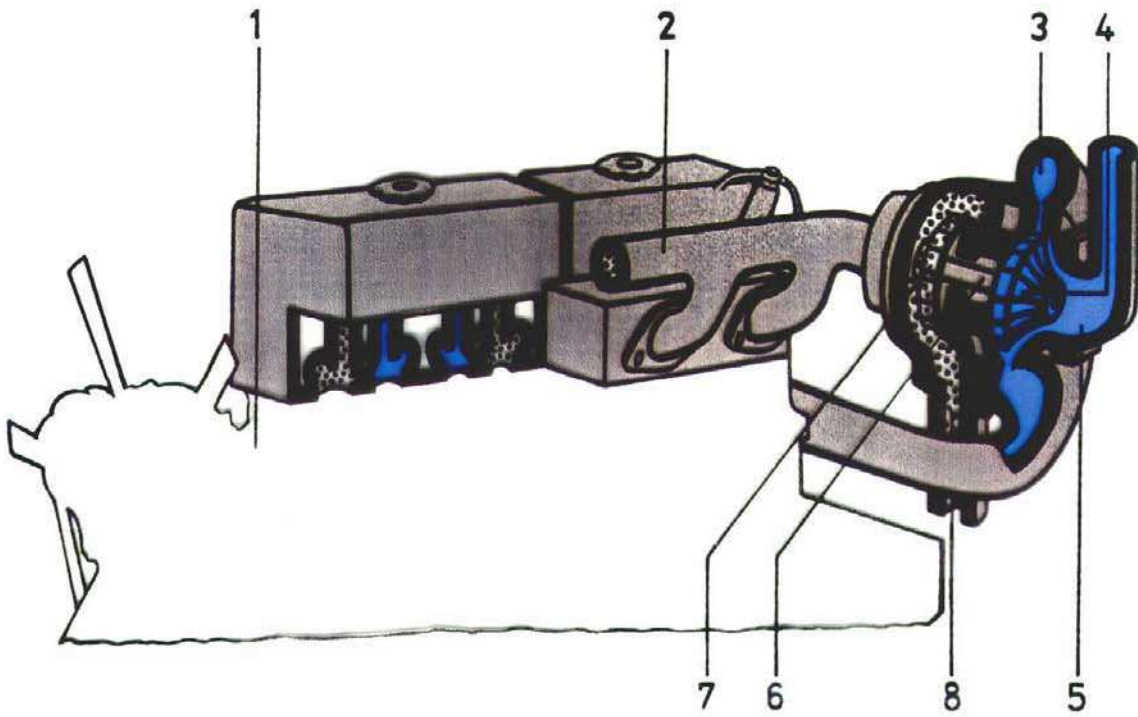


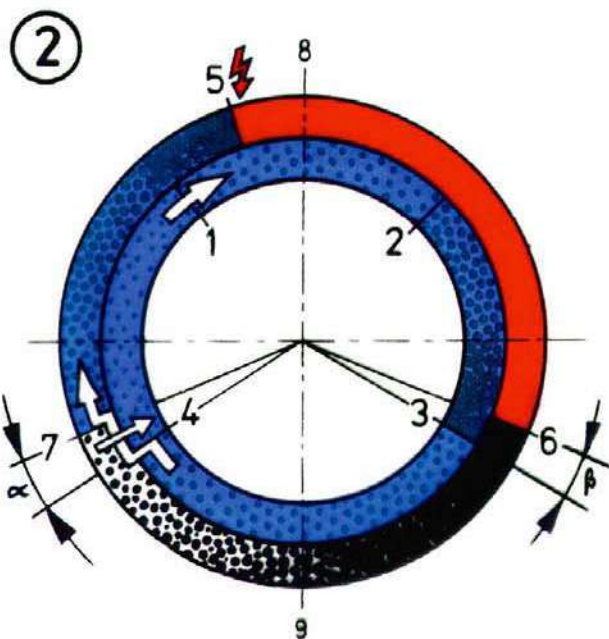
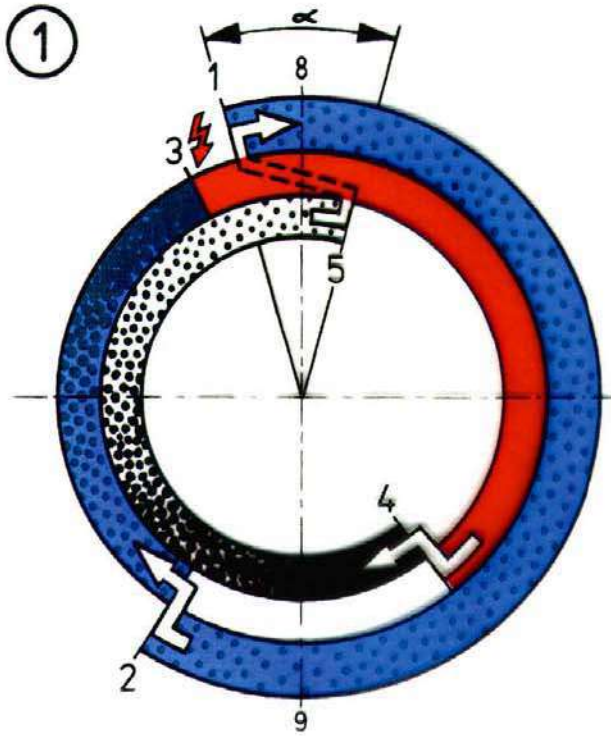
1



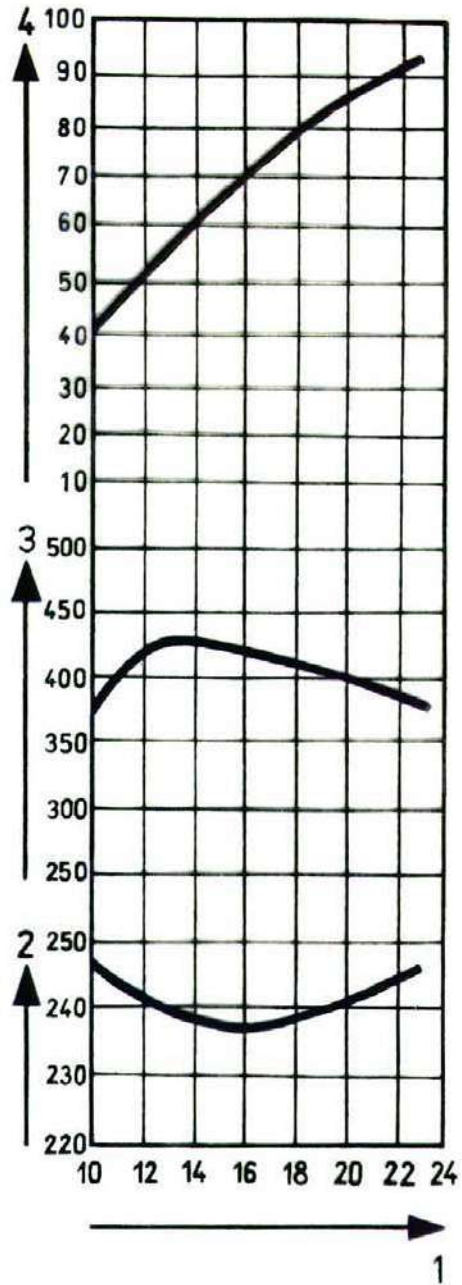








3



0

