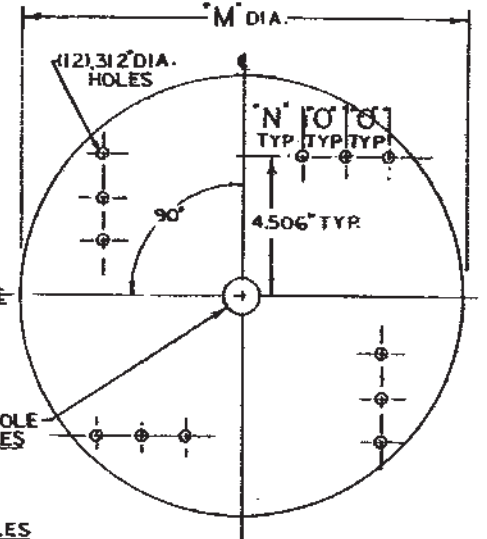
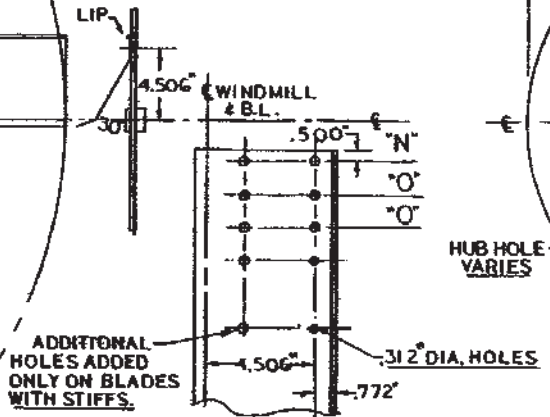


TO INSURE FLATNESS OF HUB PLATE AFTER WELDING, DISSIPATE HEAT WITH A THICKER PLATE

HUB PLATE LEGEND				
W'MILL DIA.	"M" DIA.	"N"	"O"	"T"
60"	16.00"	2.250"	1.875"	25"
72"	16.00"	2.250"	1.875"	25"
84"	16.00"	2.250"	1.875"	25"
96"	18.00"	2.250"	2.500"	37"
108"	18.00"	2.250"	2.500"	37"
120"	18.00"	2.250"	2.500"	37"



HUB PLATE ENLARGED VIEW
"T" = THK. HR. STL.



ENLARGED VIEW OF BLADE HOLE PATTERN

LEGEND

W'MILL DIA.	A' BLADE LENGTH X 4 BLADES	B' STIFFENER LENGTH
60"	28.250"	
72"	34.250"	
84"	40.250"	
96"	46.250"	15.00"
108"	52.250"	21.00"
120"	58.250"	27.00"

REF. LEVR/AIR DWG. NO. B-4121

NOTE:
 (12) 5/16-18 UNC SCREWS
 (4) LOCKWASHERS
 (12) FLAT WASHERS
 (12) 5/16-18 UNC HEX NUTS
 TYPE OF MATERIAL AS REQUIRED 60 TO 120 DIA. WINDMILL - (4) BLADES
 QTY'S INCREASE WHEN USING STIFFS 7.05" BLADE WIDTH

PART NO. SCX14169
G063-T5 ALUM.

REVISIONS			
NO.	DATE	BY	
3			
2	7/23/00	B0B	UPDATED DWG.
1	4/2/00	B0B	UPDATED DWG.

LEVR/AIR

3859 OLD EASTON HWY DOYLESTOWN, PA 18901

DESIGN BY R. PETRICK	SCALE N.T.S.	APPROVED	DATE 2/23/00
-------------------------	-----------------	----------	-----------------

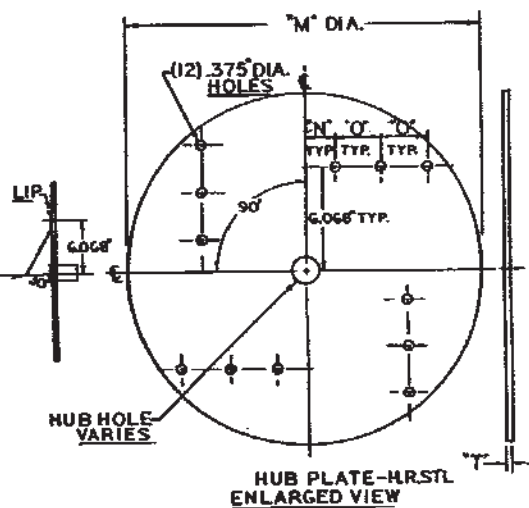
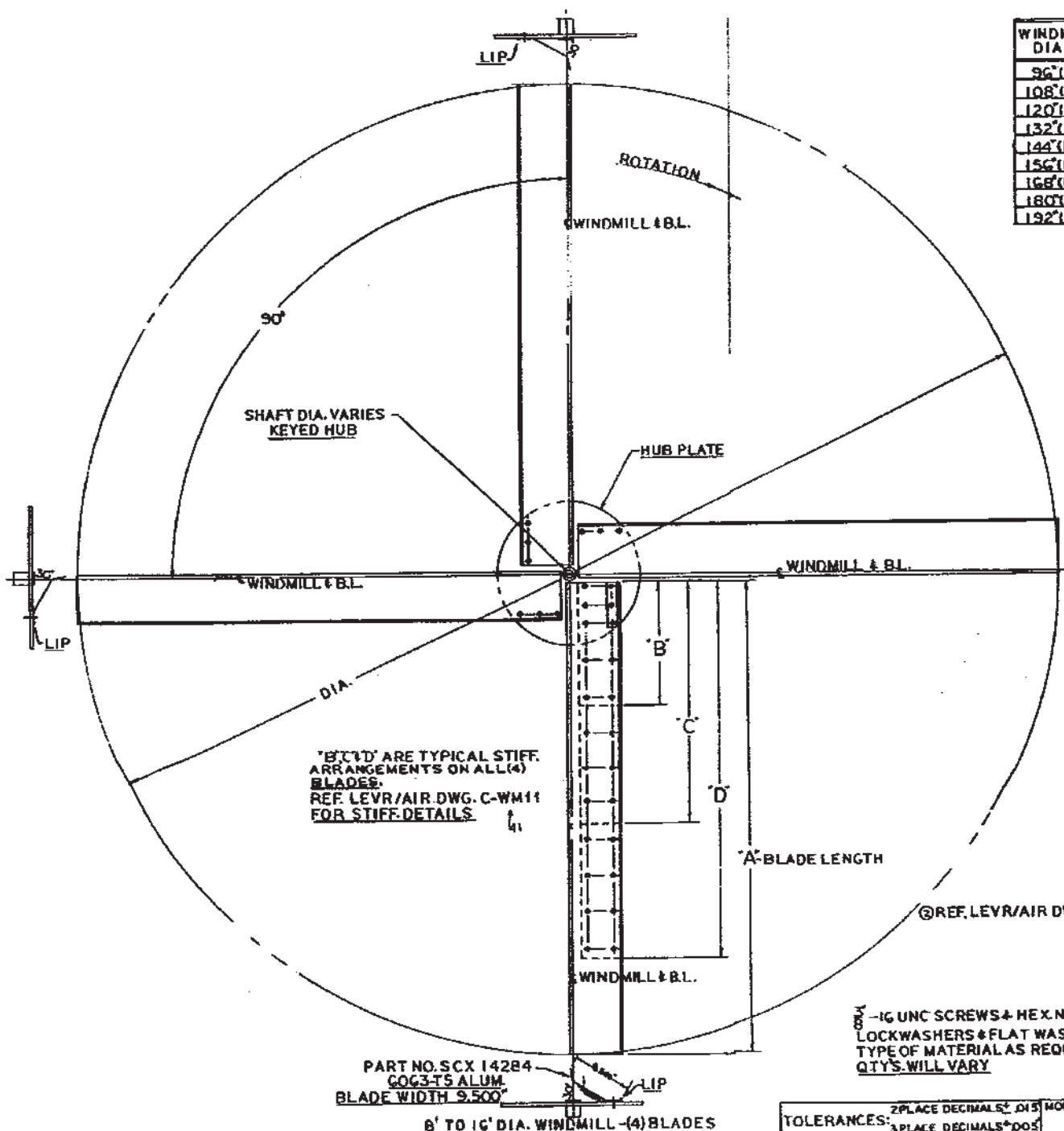
TOLERANCES: 2 PLACED DECIMALS ± .015
3 PLACED DECIMALS ± .005

TITLE: 60" DIA TO 120" DIA. (4) BLADE WINDMILLS

DRAWING NO. B-4120

LEGEND

WINDMILL DIA.	A	BLADE LENGTH X 4 BLADES	STIFFENERS		
			B	C	D
96'(8)		45.750'	YES	---	---
108'(9)		51.750'	YES	YES	---
120'(10)		57.750'	YES	YES	---
132'(11)		63.750'	YES	YES	---
144'(12)		69.750'	YES	YES	---
156'(13)		@75.750'	YES	YES	YES
168'(14)		@81.750'	YES	YES	YES
180'(15)		@87.750'	YES	YES	YES
192'(16)		@93.750'	YES	YES	YES



HUB PLATE LEGEND

WMILL DIA.	M DIA.	N	O	T
96'(8)	21.00"	2.750"	2.500"	.37"
108'(9)	21.00"	2.750"	2.500"	.37"
120'(10)	21.00"	2.750"	2.500"	.37"
132'(11)	21.00"	2.750"	2.500"	.37"
144'(12)	21.00"	2.750"	2.500"	.37"
156'(13)	21.00"	2.750"	2.500"	.37"
168'(14)	21.00"	2.750"	2.500"	.37"
180'(15)	21.00"	2.750"	2.500"	.37"
192'(16)	21.00"	2.750"	2.500"	.37"

PART NO. SCX 14284
 6063-T5 ALUM.
 BLADE WIDTH 9.500"
 8' TO 16' DIA. WINDMILL-(4) BLADES

100% -IG UNC SCREWS & HEX. NUTS.
 LOCKWASHERS & FLAT WASHERS.
 TYPE OF MATERIAL AS REQUIRED.
 QTY'S WILL VARY

TOLERANCES:
 2 PLACE DECIMALS ±.015 MODEL NO.
 3 PLACE DECIMALS ±.005

3			UPDATED DWG.
2	7/10/00	BOB	UPDATED DWG.
1	4/10/00	BOB	UPDATED DWG.
NO	DATE	BY	REVISIONS
LEVR/AIR			
3859 OLD EASTON HWY		DOYLESTOWN, PA. 19501	
DRAWN BY	SCALE	APPROVED	DATE
R. PERKINS	N.T.S.		3/27/00
TITLE 8' DIA. TO 16' DIA. (4) BLADE WINDMILLS			DRAWING NO. C-4128