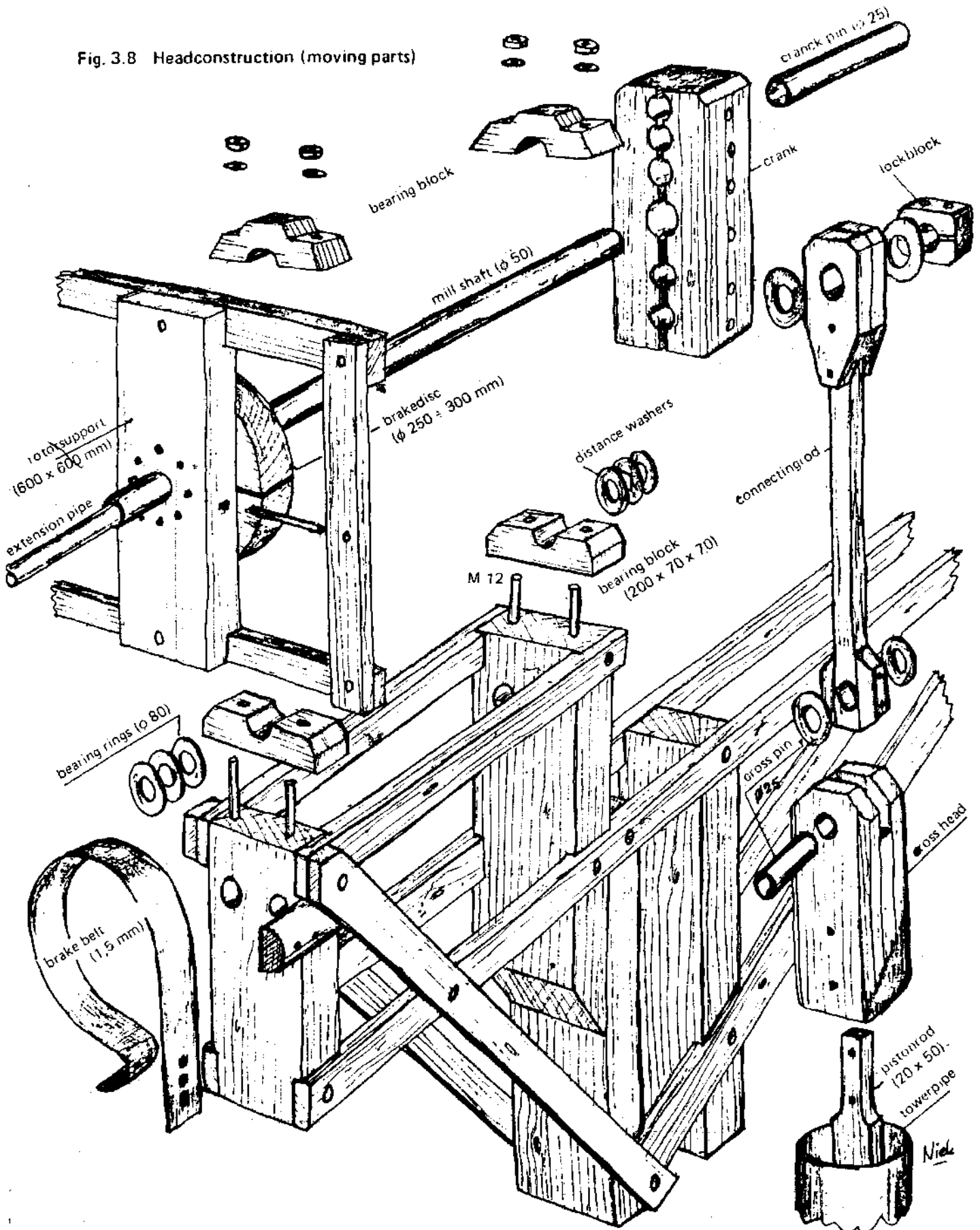


Fig. 3.7a

Fig. 3.8 Headconstruction (moving parts)



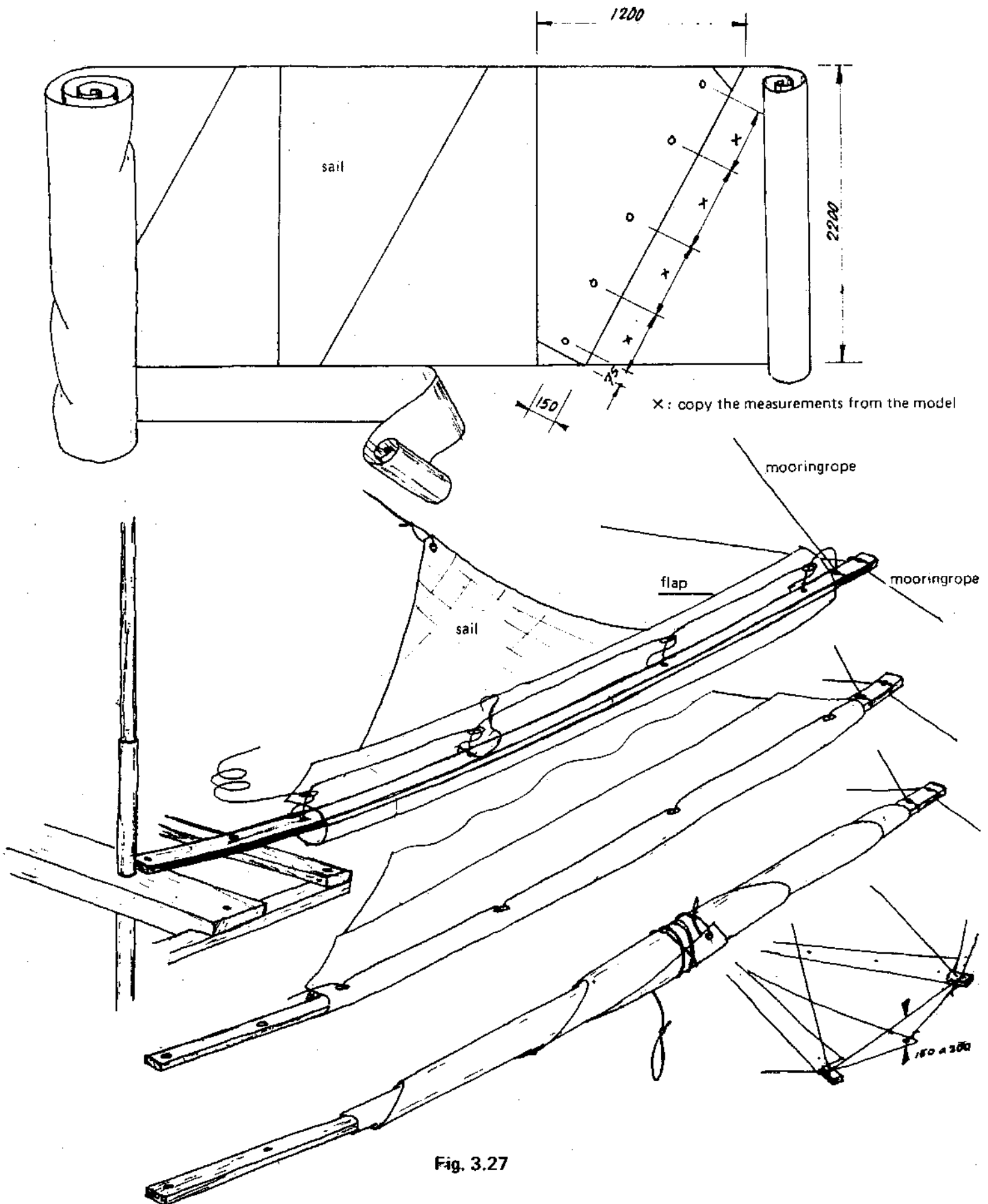


Fig. 3.27