

White Light LED Flashlight Circuits For use with Ni-Cad batteries

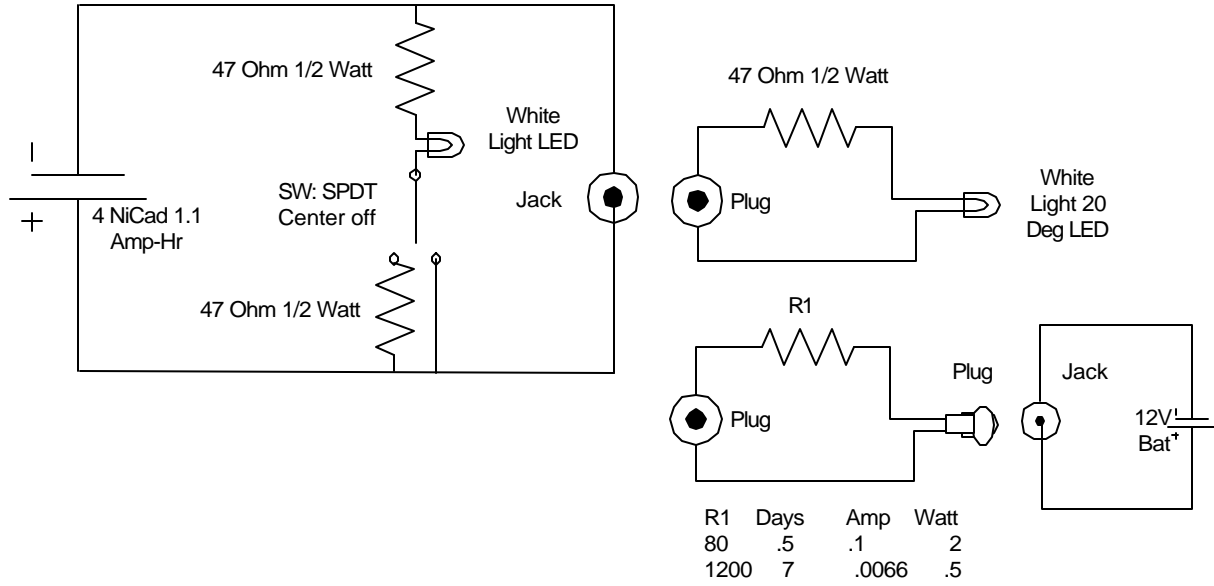


Figure 1 A 4 NiCad Cell PVC Pipe Flashlight

