

**AT** MICROFICHE  
REFERENCE  
LIBRARY

A project of Volunteers in Asia

The Procedure Handbook of Arc Welding

Published by:

The Lincoln Electric Company  
22801 St. Clair Avenue  
Cleveland, Ohio 44117 USA

Paper copies are \$ 6.00.

Available from:

The Lincoln Electric Company  
22801 St. Clair Avenue  
Cleveland, Ohio 44117 USA

Reproduced by permission of The Lincoln Electric  
Company.

Reproduction of this microfiche document in any  
form is subject to the same restrictions as those  
of the original document.

# **THE PROCEDURE HANDBOOK OF ARC WELDING**

**TWELFTH EDITION**

The material presented herein is based on information contained in available literature, developed by The Lincoln Electric Company, or provided by other parties and is believed to be correct. However, the publisher does not assume responsibility or liability for any applications or installations produced from the design, products, processes, techniques, or data set forth in this book.

This book may be ordered from any dealer or representative of The Lincoln Electric Company, or through any recognized book dealer in the world or direct from

**THE LINCOLN ELECTRIC COMPANY**

**22801 St. Clair Avenue  
Cleveland, Ohio 44117**

**LINCOLN ELECTRIC COMPANY OF CANADA, LTD.  
179 WICKSTEED AVE., TORONTO 17, ONTARIO, CANADA**

**THE LINCOLN ELECTRIC CO. (Europe) S.A.  
BOULEVARD de STALINGRAD, 76120 GRAND-QUEVILLY, FRANCE**

**LINCOLN ELECTRIC COMPANY (Australia)  
35 BRYANT STREET, PADSTOW, N.S.W., 2211, AUSTRALIA**

**EXPORT REPRESENTATIVES**

**International Division Armco Steel Corporation  
Post Office Box 700, Middletown, Ohio 45042, U.S.A.**

Copyright, 1933, 1934, 1935, 1936, 1938, 1940, 1942, 1945, 1950, 1955, 1957, 1973

THE LINCOLN ELECTRIC COMPANY

All Rights Reserved

FIRST EDITION, September, 1933

ENLARGED EDITION, February, 1934

Reprinted, February, 1935

THIRD EDITION, September, 1935

Reprinted, January, 1936

Reprinted, May, 1936

FOURTH EDITION, October, 1936

Reprinted, December, 1936

Reprinted, February, 1937

Reprinted, May, 1937

Reprinted, August, 1937

Reprinted, October, 1937

FIFTH EDITION, January, 1938

Reprinted, April, 1938

Reprinted, September, 1938

Reprinted, February, 1939

Reprinted, August, 1939

SIXTH EDITION, March, 1940

Reprinted, July, 1940

Reprinted, October 1940

Reprinted, February, 1941

Reprinted, March, 1942

SEVENTH EDITION, June 1942

Reprinted, October, 1942

Reprinted, March, 1943

Reprinted, January, 1944

Reprinted, August, 1944

EIGHTH EDITION, July, 1945

Reprinted, January, 1946

Reprinted, January, 1947

Reprinted, June, 1947

Reprinted, May, 1948

Reprinted, December, 1948

NINTH EDITION, July, 1950

Reprinted, January, 1951

Reprinted, December, 1952

TENTH EDITION, October, 1955

Reprinted, June, 1956

ELEVENTH EDITION, January, 1957

Reprinted, May, 1957

Reprinted, April, 1958

Reprinted, April, 1959

Reprinted, September, 1960

Reprinted, June, 1962

Reprinted, November, 1963

Reprinted, December, 1964

Reprinted, January, 1966

Reprinted, February, 1967

Reprinted, May, 1970

Reprinted, March, 1971

TWELFTH EDITION, June, 1973

Over 500,000 Copies

Printed in U.S.A.

Published as a service to industry and education by The Lincoln Electric Company.

## PREFACE TO TWELFTH EDITION

This Handbook is a revision of the *Procedure Handbook of Arc Welding Design and Practice* that was first published by The Lincoln Electric Company in 1933.

The reason for the publication of this Handbook by a company engaged in the manufacture and sale of welding equipment and welding consumables is many-faceted. Foremost is the fact that The Lincoln Electric Company wants its customers — and the customers of other suppliers — to use arc welding efficiently. Secondly, Lincoln is a full-service company, expending effort on arc-welding education and training as a corporate function secondary only to its research and manufacturing function. Some of the readers of this volume became acquainted with Lincoln first as trainees in a Lincoln welding class or as management representatives attending a Lincoln welding seminar. The publications of The Lincoln Electric Company and of The James F. Lincoln Arc Welding Foundation have been recognized educational tools in the welding industry since the 1920's.

Over the years, the Handbook has been revised eleven times, and more than 500,000 copies were printed. When it became apparent that recent advances in arc welding made updating by the usual revision procedure too unwieldy both editorially and mechanically, the decision was made to follow a different format.

The present Handbook makes no pretense of being a complete or scholarly work. Its text is directed toward those people who have day-by-day working interest in arc welding — to the supervisory and management personnel of fabrication shops and steel erection firms; to weldors and welding operators; to engineers and designers; and to owners of welding shops. The editorial aim has been to be practical — to present information that is usable to those on the job. With this practical aim, however, attempt has been made to prevent "writing down" to the beginner level, while simultaneously making the text as understandable as possible to the inexperienced.

Hopefully, the designer and engineer will find the contents of the Handbook a "bridge" between the handbooks of engineering and design and the realities of production. Also, hopefully, the Handbook will be an orientation reference to the research technologist — useful in its description of existing commercial practice.

It will be noted that the cost factor in arc welding is woven through the text. The emphasis is believed to be a necessity in a volume that stresses practicality. Similarly, the reader may detect a slighting or minimization of discussion on the more exotic aspects of arc-welding technology. Here,

again, the reason is one of practicality — making the volume of greatest interest and usefulness to the greatest number of readers.

Those readers acquainted with the editions of the original Handbook may note a condensation of design material. It was felt that adequate treatment of design can no longer be covered in a handbook that emphasizes welding processes and procedures. Furthermore, design information has become so voluminous that it can only be handled properly in works devoted entirely to design — which works exist and are readily available. Thus, the four sections on design in this Handbook are structured to be minimal — are for bridging the gap between the designer and the shop, while giving shop personnel a good understanding of how design affects their work.

The format also has been changed. The larger size permits larger type in the tables and figures, and the narrower columns make the Handbook more readable. The change in size is believed to be congruent with the trend of standardization in the size of reference volumes.

Much of the information in this Handbook has been obtained from the Lincoln Electric Company engineering laboratories, field engineers, and areas of experience of other personnel. The Handbook also draws heavily on the experience and publications of other companies, technical societies, industrial and governmental organizations, and individual technologists. Many of the tables and figures are reproductions from other publications. To all those who made possible the accumulation of information and data, The Lincoln Electric Company acknowledges a debt of gratitude.

To illustrate various points and practices discussed, the editors also have alluded to actual experiences of Lincoln customers without revealing their identities. To these anonymous contributors, thanks are also extended.

The Lincoln Electric Company will appreciate having called to its attention any errors that have escaped the editors and invites correspondence on subjects about which the reader may have questions or comments.

The information contained in this Handbook represents that developed by experience. In its use, however, The Lincoln Electric Company or its subsidiaries can assume no responsibility. The results obtained in joining metals by arc welding depend upon the individual circumstances and individual applications, as well as the recommended procedures. The Handbook is a guide; the user is responsible for how he applies that guide.

## ACKNOWLEDGMENTS

The publisher acknowledges with thanks the contributions and cooperation of the following individuals and concerns who have aided in the preparation of this and previous editions with information and photographs:

American Institute of Steel Construction

American Iron and Steel Institute

American Petroleum Institute

American Society of Mechanical Engineers

American Society for Metals

Metals Handbook

METAL PROGRESS

American Society for Testing and Materials — ASTM Standards

American Welding Society

Codes, Standards and Specifications

Welding Handbook

WELDING JOURNAL

Welding Metallurgy, George E. Linnert

Arcair Company

Bethlehem Steel Corporation

British Standard Institution

British Welding Association — Welding Processes, P.T. Houldcroft

Bureau of Ships, Navy Department

Hobart Brothers Technical Center

Industrial Publishing Company — Welding Data Book

Jefferson Publications, Inc. — WELDING ENGINEER

Kaiser Aluminum and Chemical Corp., Inc.

The James F. Lincoln Arc Welding Foundation

Linde Division, Union Carbide Corporation

Miller Electric Manufacturing Company

National Aeronautics and Space Administration

National Cylinder Gas Division of Chemetron Corporation

Nelson Stud Welding Company, United-Carr Div., TRW Inc.

Penton Publishing Company — MACHINE DESIGN

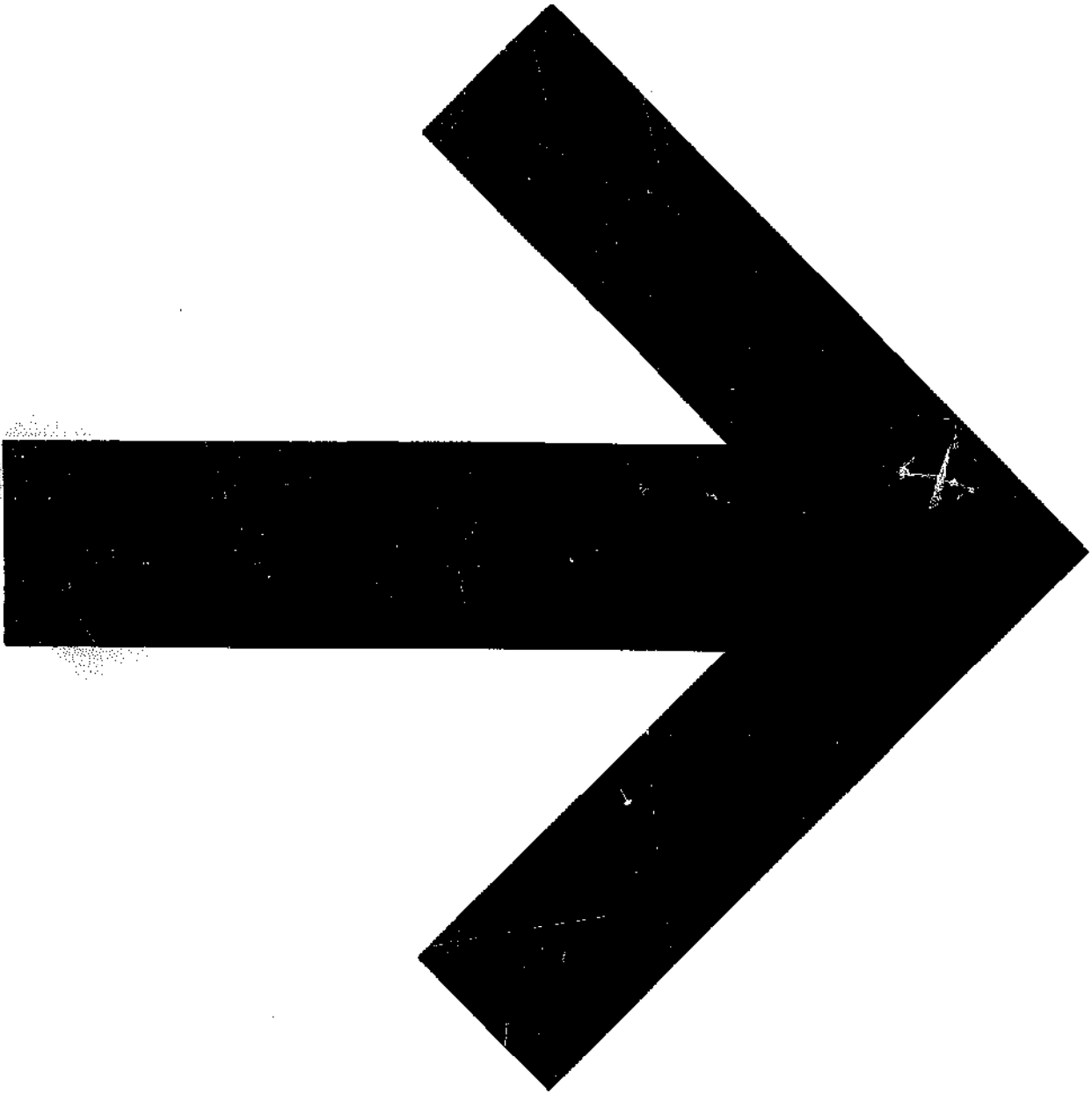
Republic Steel Corporation — Republic Alloy Steels

Steel Foundry Research Foundation

Tool and Manufacturing Engineers

Special acknowledgment is made to Emmett A. Smith, Robert A. Wilson, Omer W. Blodgett, Jerry Hinkel, Robert E. Greenlee, Jesse Guardado and Ted Bullard for their technical expertise and professional assistance.

The publisher regrets any omissions from this list which may occur, and would appreciate being advised about them so that the records can be corrected.



# **THE PROCEDURE HANDBOOK OF ARC WELDING**

## **CONTENTS**

- Section 1 INTRODUCTION AND FUNDAMENTALS**
- Section 2 DESIGNING FOR ARC WELDING**
- Section 3 VARIABLES IN WELDING FABRICATION**
- Section 4 CONSUMABLES AND MACHINERY**
- Section 5 WELDING PROCESSES**
- Section 6 WELDING CARBON AND LOW-ALLOY STEEL**
- Section 7 WELDING STAINLESS STEEL**
- Section 8 WELDING CAST IRON AND CAST STEEL**
- Section 9 WELDING ALUMINUM AND ALUMINUM ALLOYS**
- Section 10 WELDING COPPER AND COPPER ALLOYS**
- Section 11 QUALITY CONTROL**
- Section 12 WELDING COSTS**
- Section 13 SPECIAL APPLICATIONS**
- Section 14 INSTALLATION AND MAINTENANCE**
- Section 15 SAFETY IN WELDING**
- Section 16 REFERENCE SECTION AND INDEX**

# Section 1

# INTRODUCTION AND FUNDAMENTALS

## SECTION 1.1

### HISTORICAL DEVELOPMENT OF FUSION JOINING

	Page
Early Discoveries . . . . .	1.1-1
New Welding Methods Are Put to Work . . . . .	1.1-2
Commercial Arc Welding Comes to America . . . . .	1.1-3
Electrodes — the Key to Progress . . . . .	1.1-3
The Impetus Onward — World War I . . . . .	1.1-4
The Era of Slow Growth . . . . .	1.1-5
Years of Rapid Advance . . . . .	1.1-6
Postwar Developments Continue . . . . .	1.1-8

## SECTION 1.2

### PROPERTIES OF MATERIALS

Mechanical Properties . . . . .	1.2-1
Tensile Properties . . . . .	1.2-1
Ductility and Elasticity . . . . .	1.2-2
Compressive Strength . . . . .	1.2-3
Shear Strength . . . . .	1.2-3
Fatigue . . . . .	1.2-4
Impact Strength . . . . .	1.2-5
Hardness . . . . .	1.2-6
Physical Properties . . . . .	1.2-6
Density . . . . .	1.2-6
Electrical Conductivity . . . . .	1.2-6
Thermal Conductivity . . . . .	1.2-6
Thermal Expansion . . . . .	1.2-7
Melting Point . . . . .	1.2-7

## SECTION 1.3

### ARC-WELDING FUNDAMENTALS

Basic Welding Circuit . . . . .	1.3-1
Arc Shielding . . . . .	1.3-1
Nature of the Arc . . . . .	1.3-2
Overcoming Current Limitations . . . . .	1.3-3
Effects of Arc on Metal Properties . . . . .	1.3-4



# Historical Development of Fusion Joining

For centuries, the only method man had for metallurgically joining metals was forge welding, a crude and cumbersome blacksmith-type operation in which heated metals were pounded or rammed together until they fused. Then, within the span of a few years prior to 1900, three new processes came into existence. Arc welding and resistance welding were developed in the late 1880's and put to work in industry a few years later. Oxyacetylene welding was developed during the same period, and was first used industrially in the early 1900's.

No one knows when man first learned to use forge welding. Few implements of iron or steel can survive corrosion over hundreds of years, so there remains little direct evidence of early attempts at the fusion joining of metals.

The working and hardening steel — advanced arts that doubtless took centuries to evolve — were commonly practiced 30 centuries ago in Greece. But primitive tribes on different continents, and with no apparent means of communication, developed the same basic methods for smelting, shaping, and treating iron. Thus, the principles of welding probably were discovered, lost, and rediscovered repeatedly by ancient peoples.

By the time of the Renaissance, craftsmen were highly skilled in forge welding. Parts to be joined were shaped and then heated in a forge or furnace before being hammered, rolled, or pressed together. Vannoccio Biringuccio's *Pyrotechnia*, published in Venice in 1540, contains several references to such operations. Biringuccio was obviously intrigued by the process, for he wrote, "This seems to me an ingenious thing, little used, but of great usefulness."

For many centuries thereafter, ordinary fire remained the principal source of heat for welding. The traveling tinker, a familiar figure on the dusty roads of the countryside, carried with him a small charcoal furnace for heating his irons. During this era, tinsmiths and other workers in metal often used the heat of burning gases to braze and solder.

Forge welding of iron developed into a recognized industry. But the joining of large, heavy pieces required great skill and much labor, for they could

be brought to the required temperature only if a fire were maintained around them. When the two parts were hot enough, they were forced together by various means, and were often hung from cranes for this operation. The ends were struck repeatedly with a sledge hammer while the heat was maintained. Then the work was withdrawn from the fire and finished on an anvil. Forge welding is still practiced to some extent today, but to a very limited degree.

Of the three new processes developed just prior to the Twentieth Century, arc welding has emerged as the most widely used and commercially important method. There is evidence that a Professor G. Lichtenberg may have joined metals by electric fusion as early as 1782 in Germany, but most accounts trace the history of electric welding back to the discovery of the electric arc by Sir Humphrey Davy. In 1801, while experimenting with the infant science of electricity, Davy discovered that an arc could be created with a high-voltage electric circuit by bringing the two terminals near each other. This arc, which cast a bright light and gave off considerable heat, could be struck and maintained at will, and its length and intensity could be varied within limits determined by the circuit voltage and by the type of terminals used. Davy demonstrated the arc

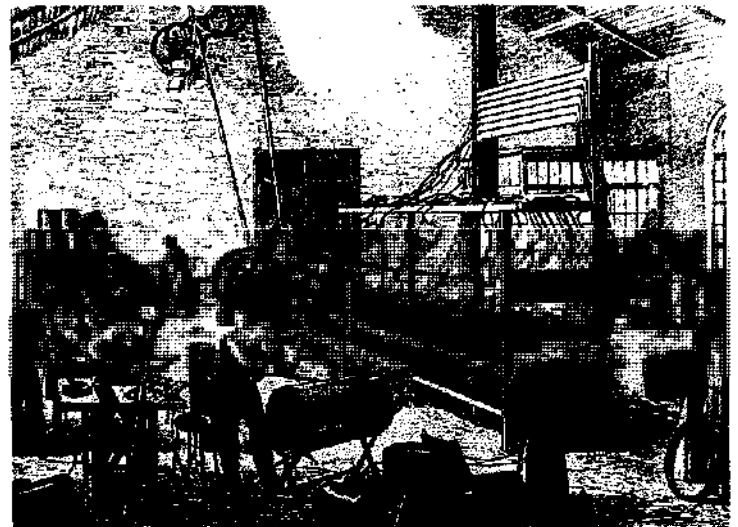


Fig. 1-1. Carbon-arc welding shop of the late 1800's. Power source is a bank of batteries. Note the dynamo on the right.

at the Royal Institute of England in 1808, where his discovery aroused a great deal of interest. For many years, however, it remained a scientific plaything; there appeared to be no practical use for the phenomenon. In fact, Davy did not apply the term "arc" to his discovery until 20 years later.

After the discovery of the arc, the first person known to intentionally join metals by electric welding was an Englishman named Wilde. In the early 1860's he melted together small pieces of iron, and, in 1865, he was granted a patent on his process — the first patent relating to electric welding.

The electric arc, however, remained of scientific interest only until 1881, when the carbon-arc street lamp was introduced. Shortly thereafter, the electric furnace made its appearance in England. One of the earliest was installed in 1886 for the production of aluminum alloys. This particular application of the electric arc was an important step in the early development of the aluminum industry.

## NEW WELDING METHODS ARE PUT TO WORK

Probably the first attempt to use the intense heat of the carbon arc for welding was made in 1881 when Auguste de Meritens used a carbon electrode to arc weld lead storage-battery plates. In this experiment, De Meritens connected the work to the positive pole of a current source and attached a carbon rod to the negative pole in such a manner that the distance between the rod and plate could be controlled. Some of the heat developed was lost to the surrounding air, but enough reached the plate to fuse the lead and join the parts. Other early efforts

with arc welding employed carbon electrodes arranged similarly to the positions of electrodes in an arc lamp. The heat of the arc was deflected against the work by magnetic fields or by a jet of compressed air.

Two other scientists, Nikolas de Benardos and Stanislaw Olszewski, were interested in the De Meritens process and experimented with it. In 1885, they were issued a British patent for a welding process employing carbon electrodes. Benardos, a Russian, also filed for a patent in his homeland. His application described a process in which the work was connected to a negative pole, and the carbon rod was fastened to the positive pole of a DC circuit. The rod was not fixed as in De Meritens' method, but was fitted with an insulated handle so that it could be manipulated by hand. This process was patented in 1887. Thus, Benardos is generally credited as the holder of the first patent on arc welding.

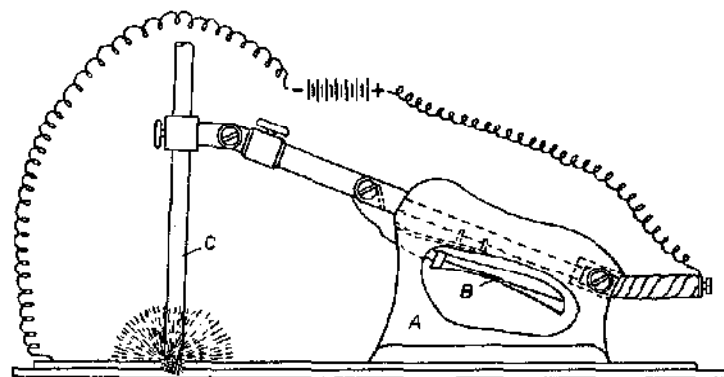
Benardos' carbon-arc process was put to work on a limited scale in England soon after it was developed. In 1887, a shop was using it to make tanks, casks, and iron garden furniture. In the 1890's, another English shop was welding wrought iron pipe up to a foot in diameter. In the United States, the Baldwin Locomotive Works established a shop in 1892, where carbon-arc welding was used extensively for locomotive maintenance. But, in general, acceptance of the carbon-arc process was slow, because the procedures used at that time introduced particles of carbon into the weld metal. These particles made the joint hard and brittle.

Two years after Benardos' patent was granted, another Russian, N.G. Slavianoff, announced a

12,984. Benardos, N. de, and OLSZEWSKI, S. Oct. 28. Amended.

*Coating.* — Relates to a method of and apparatus for working metals in various ways by electricity, including a method of applying a fused metallic coating for ornamental or other purposes. A voltaic arc is formed by the approach of carbon to the part of the metal operated upon, the carbon usually forming the positive pole and the metal the other pole. The carbon, which may be solid or hollow, is fixed in an apparatus, one form of which is shown in the

Figure. The frame A, having a jointed lever B to lower the carbon C, is insulated and supported on the plate or held in the hand. The frame may have wheels running on rails. The work may be supported on an insulated plate electrically connected. Layers of metal are formed by holding an insulated stick of metal in the electric arc. A coloured glass screen is provided to protect the eyes of the workmen.



Copy of a British welding patent issued in 1885.

process in which the carbon electrode was replaced by a metal rod. After an arc was struck, the rod gradually melted and added fused metal to the weld. In the same year — 1889, unaware of Slavianoff's work, Charles Coffin was granted a U.S. patent on a similar metal-arc welding process. (Coffin later became president of General Electric Company.)

The metal-arc process simultaneously developed by Coffin and Slavianoff represented a giant step forward, for the metal electrode supplied not only fusing heat, but also added additional filler metal necessary for the joint. In the carbon-arc process, filler metal was supplied by excess metal along the weld line or by a metal rod held in the weldor's hand. Despite this advance in the technology, commercial application of the metal-arc process in the following years was slow because satisfactory metal electrodes were not available.

### COMMERCIAL ARC WELDING COMES TO AMERICA

Two German weldors who had been working on the metal-arc process in Europe came to the United States in 1907. They formed the Siemund-Wienzell Electric Welding Company and patented a metal-arc welding method. A short time later, another German concern, Enderlein Electric Welding Company, also started operations in the United States. Then a bit of intrigue was attempted. It is reported that Enderlein offered to insure the validity of the Siemund-Wienzell patent by violating it, then putting up a weak defense when Siemund-Wienzell sued. The condition was that the two companies then share the patent rights. Siemund-Wienzell refused the proposal. So when Enderlein began using the process, the firm was promptly and sincerely sued.

In the suit, the patent holders were completely

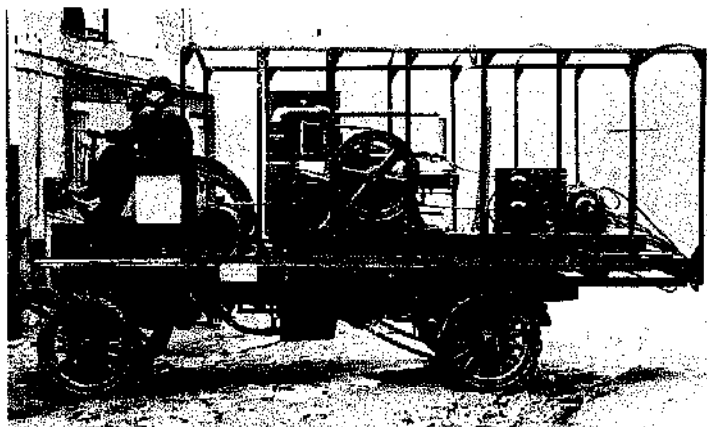


Fig. 1-2. A portable arc welder of the early twenties.

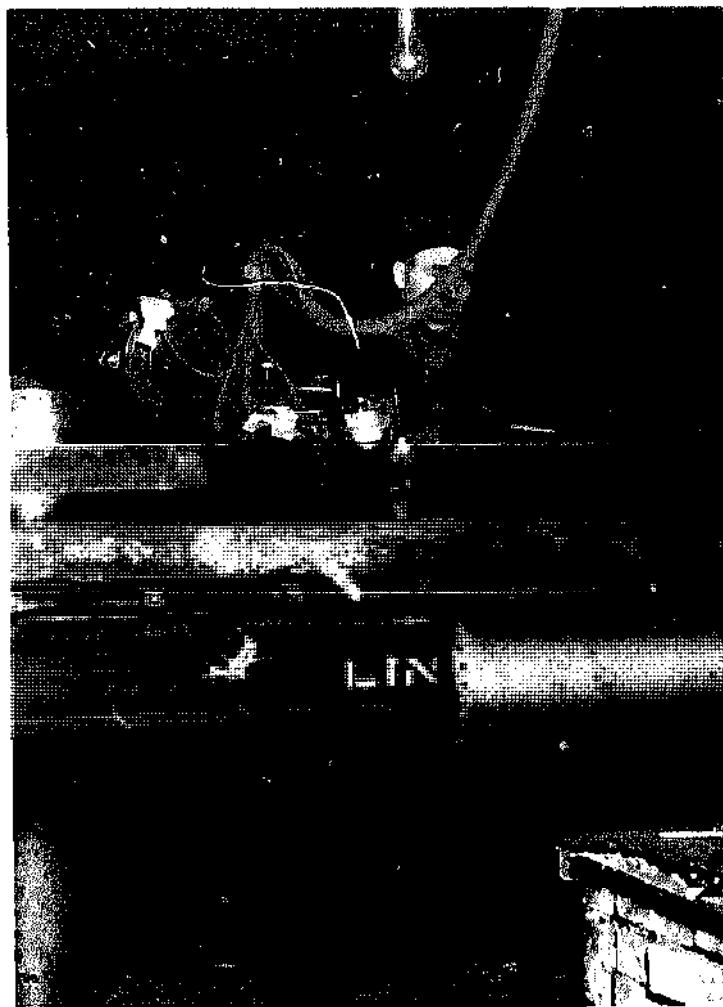


Fig. 1-3. An early machine for welding the longitudinal seam in a hot water tank with an automatic carbon-arc welding head.

confounded when Enderlein introduced a copy of the *Mechanics Handbook*, published in England in 1888. This handbook contained a woodcut unmistakably showing a shop using the metal-arc process, and its publication date was before any patents had been issued. This revelation cast doubt on the validity of any patents on the process, and, by so doing, opened the field of metal-arc welding in the United States.

By 1917, there were four well-established manufacturers of arc-welding equipment in the United States. One of these was The Lincoln Electric Company, which today is the world's largest producer of arc-welding equipment. Lincoln began experimenting with welding in 1902, and introduced its first machines in 1912.

### ELECTRODES — THE KEY TO PROGRESS

In the early work with metal-arc welding, it was apparent that the limiting factor was the electrode.

The earliest electrodes were bare wire of Norway or Swedish iron, which produced brittle, weak welds. The arcs often overheated the weld metal, and the metal deposited by the electrode was embrittled by reaction with the air. In an attempt to overcome these difficulties, researchers developed a number of electrodes that were lightly coated with various organic or mineral materials. Oscar Kjellborg, of Sweden, who received a patent in 1907, is credited with being one of the pioneer developers of covered electrodes.

The coverings developed during this time, however, did more to stabilize the arc than to shield or purify the weld metal. It was not until 1912, when Strohmenger obtained a U.S. patent for a heavily covered electrode, that industry had an electrode capable of producing weld metal with good mechanical properties. The early covered electrodes, however, were slow in gaining acceptance because of their cost. The covering process required expensive production operations, involving the application of asbestos wrappings, fine aluminum wire, and other materials.

### THE IMPETUS ONWARD – WORLD WAR I

The first major increase in the use of welding occurred during World War I. The sudden need for

large numbers of transport ships was a contributing factor. At the onset of the war, ships were built by the relatively slow process of riveting. Government officials realized that faster manufacturing methods were needed, and an Emergency Fleet Corporation was set up to find improved shipbuilding methods. Professor Comfort Adams of Harvard was asked to appoint a committee to investigate the problem, and in July 1917 the first committee meeting was held.

Many members of this committee were of the opinion that the key to increased production would be found in resistance welding, a process that had been invented in 1886 by Professor Elihu Thomson, a member of the committee. To gather background information, the committee visited England, where shipbuilders were using welding to some extent. There the committee discovered that it was arc, not resistance, welding that the British were using. England had been forced by gas shortages to curtail gas welding, and was using arc welding with both bare and covered metallic electrodes to produce bombs, mines, and torpedoes. The British had gone so far as to start construction of a ship with an all-welded hull.

The American committee returned as proponents of the arc-welding method. The various supporters of gas and resistance welding, however, would not accept their findings at face value, and the argumentation that developed got into such subjects as the relative merits of carbon and metal

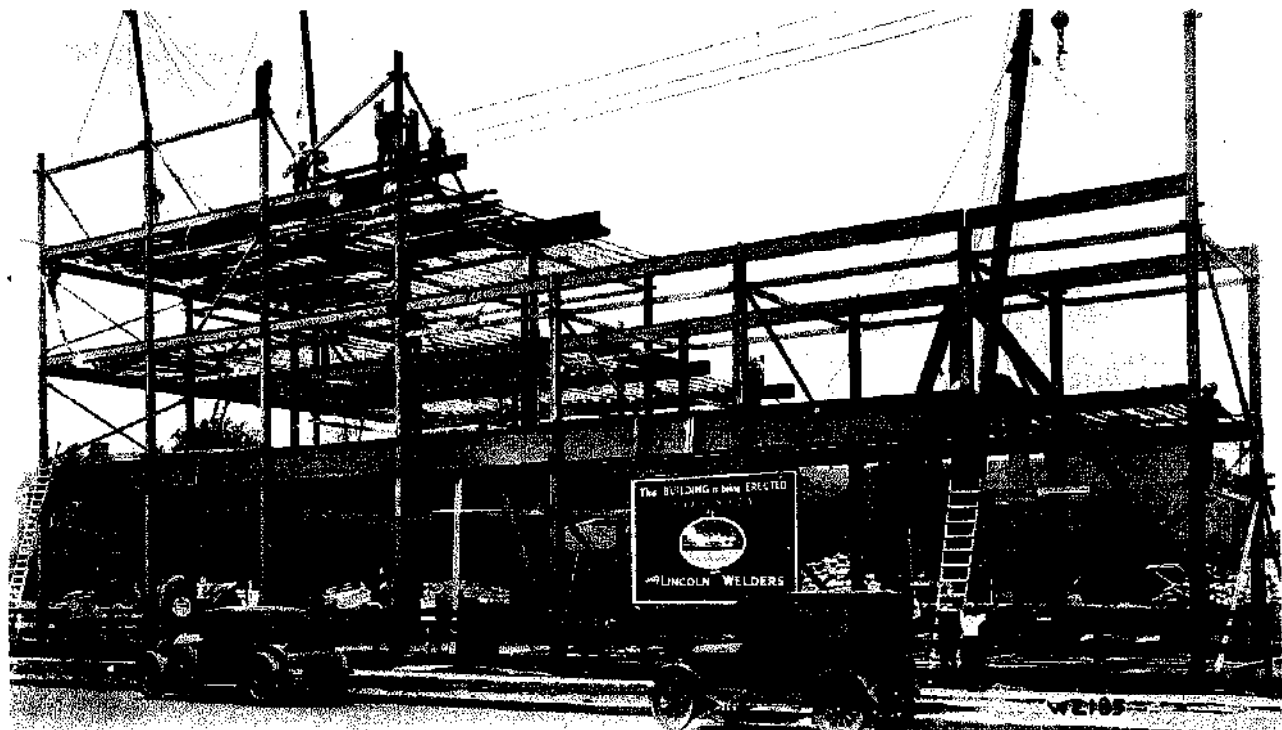


Fig. 1-4. This building was erected in 1928, using arc welding and bare-wire electrodes.

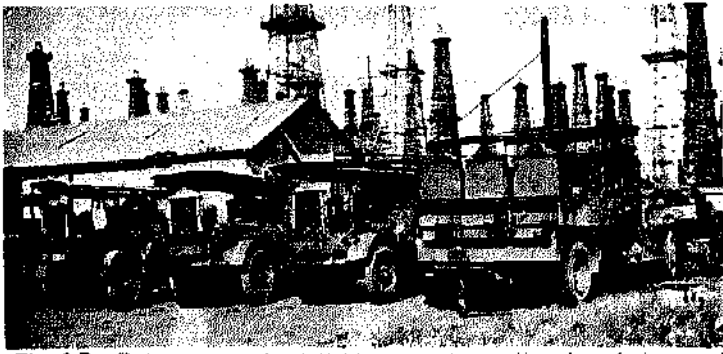


Fig. 1-5. Refineries and oil fields were the earliest beneficiaries of portable gasoline engine-driven welders.

electrodes, covered and bare-metal electrodes, and direct and alternating current.

During this discussion, a dramatic incident publicized the capabilities of arc welding. German ships interned in New York Harbor at the outbreak of the war had been scuttled by their crews so that the vessels could not be used in the Allied war effort. Damage was so extensive that revolutionary repair processes were clearly needed if the ships were to be put back into service without long delay. The Navy called in welding experts from two railroad companies, and these men recommended that repairs be made by arc welding. Most of the damaged components were subsequently repaired by this process, and the ships were rapidly returned to service. The potential of the process was clearly established.

In Europe, about the same time, an all-welded cross-channel barge had been put in service. Also, the British launched their all-welded ship, the *Fulagar*, in 1920. Arc welding, thus, became an accepted process for shipbuilding.

The first application of arc welding to aircraft also occurred during World War I. Anthony Fokker, the Dutch airplane manufacturer, used the process to produce fuselages for some German fighter planes.

## THE ERA OF SLOW GROWTH

In the years immediately following the war, applications for arc welding did not increase appreciably. In 1919, a patent was granted for a paper-covered electrode that did not leave a slag coating on the joint, yet produced a tough, ductile weld. This welding electrode, was used in 1925 to fabricate heavy pressure vessels for oil refineries. A three-span, 500-ft, all-welded bridge was erected in 1923 in Toronto, Canada. About this time, manufacturers began to use arc welding increasingly for

building storage tanks for fuel oil, gasoline, and petroleum distillates. An early application of large proportions was the construction of a million-gallon standpipe that stood 127 feet high.

In 1928, the steel framework for the Upper Carnegie Building in Cleveland, Ohio, was erected, using arc welding in a joint effort by The Austin Company and The Lincoln Electric Company. Construction of this building brought out several important advances in construction techniques. No connection angles or plates were used at intersections, as commonly required with riveted assembly. Since welded lattice joists were used, piping could be concealed between floors. The building was 60 ft by 119 ft and four stories high. The 115 tons of steel required was estimated to be 15% less than required for a riveted design. A factor contributing to this savings was the use of continuous beams, which permitted lighter beams and columns with no sacrifice in strength or rigidity.

In the 1920's, manufacturers were also using arc welding in the production of sheet-steel fabrications, such as blower fans, air conduits, housings for machinery, and bases for machine tools. Foreseeing the potentials, the arc-welding industry began advocating the conversion of cast-iron parts to welded assemblies.

In 1927, the development of an extrusion process for applying a covering to the metal core substantially lowered the cost of covered electrodes. These lower-cost electrodes proved to be one of the most significant developments in the evolution of arc welding. The extrusion process permitted varying the composition of the electrode covering to give desirable operating characteristics and meet specific application requirements. The shielded-arc electrode with its deoxidizers and protective gases and slag became feasible.



Fig. 1-6. An all-welded naval vessel that won a major award in a design competition in 1932.

## YEARS OF RAPID ADVANCE

The applications for arc welding grew rapidly after 1929, and, by the onset of World War II, the process was becoming the dominant welding method. Prior to 1929, the largest undertaking involving welding was the construction of a 5-ft diameter, 90-mile pipeline for carrying water to cities east of San Francisco Bay. It was estimated that this pipeline would have leaked enough water to supply a city of 10,000 if riveted construction had been used. Leakage was minimal with welding.

In the 1930's, welding became increasingly important in shipbuilding. The U.S. Navy, which had contributed much to welding research, turned to the process for practical reasons after the London Naval Treaty of 1930. This treaty imposed limits on the gross tonnages of the major navies of the world, and, thereafter, the Navy often found welding advantageous to minimize weight and thereby maximize the firepower permitted by the tonnage restriction. For the same reason, the Germans used arc welding in their pocket battleships, three of which were launched from 1931 to 1934. To utilize arc welding, the Germans developed a method applicable to armor plate.

In 1930, the first all-welded merchant ship was built in Charleston, South Carolina. This ship was the forerunner of the thousands of all-welded ships that were to be produced during World War II. Also in the 1930's, the U.S. Army became interested in

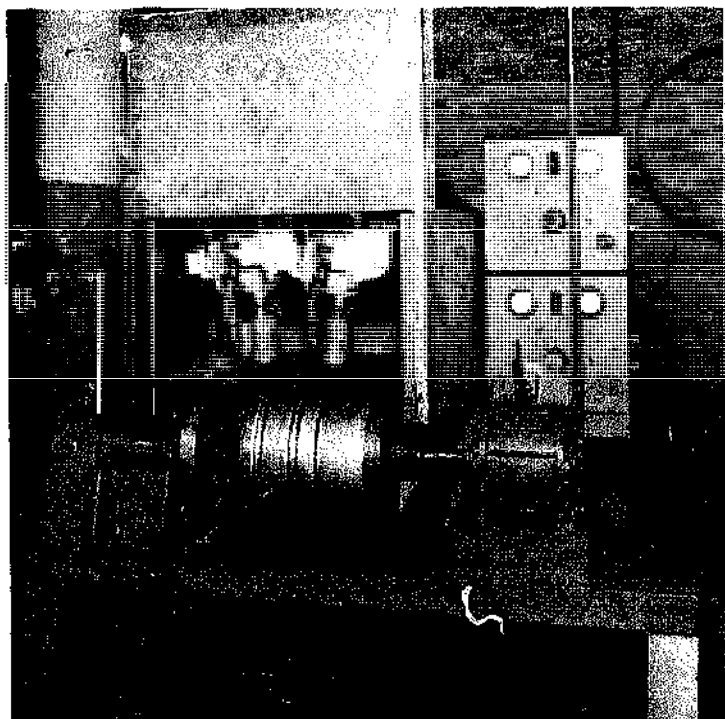


Fig. 1-7. Welding steel beer barrel. (1933)

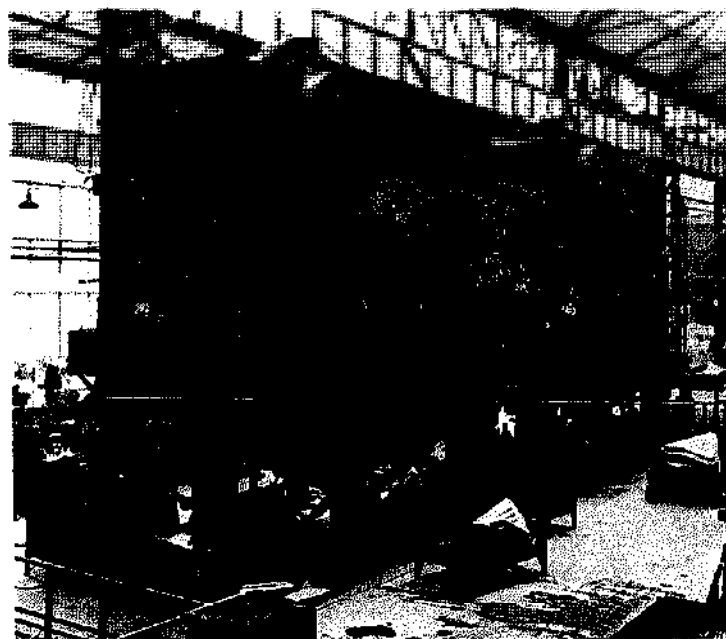


Fig. 1-8. Two all-welded steel presses in an automotive plant. Manufactured by Clearing Machine Corporation, Chicago, Illinois. Capacity 100 tons. (April 1939).

welding, and a considerable amount of ordnance equipment was redesigned at the Watertown Arsenal for production by welding.

About 1935, improved AC welders were becoming available. These welders offered certain advantages, but AC arcs often proved difficult to maintain. To overcome this difficulty, producers of electrodes developed coverings that ionized more easily and, thus, stabilized the arc. Also during this decade, more stainless steels came into use in metalworking. These materials were relatively difficult to weld because hydrogen in the electrode coverings often caused porosity in the weld. Low-hydrogen electrode coverings were developed to overcome this difficulty. Then, in the early 1940's, it was discovered that these low-hydrogen electrodes also provided good welds in armor plate. Stainless-steel coverings were applied to low-alloy steel electrodes to further improve the quality of welded joints in armor plate.

During the 1930's, numerous attempts were made to bring some degree of mechanization with good shielding to the arc-welding processes. The early attempts at automatic welding were made with continuously fed bare wire, with no shielding other than a thin slag flux that was sometimes "painted" on the workpiece. Shielding for automatic carbon-arc welding was provided by passing a flux-impregnated paper string near the arc as it traveled along the seam. Then, in 1932, an innovation was introduced. A heavy layer of flux was placed on the

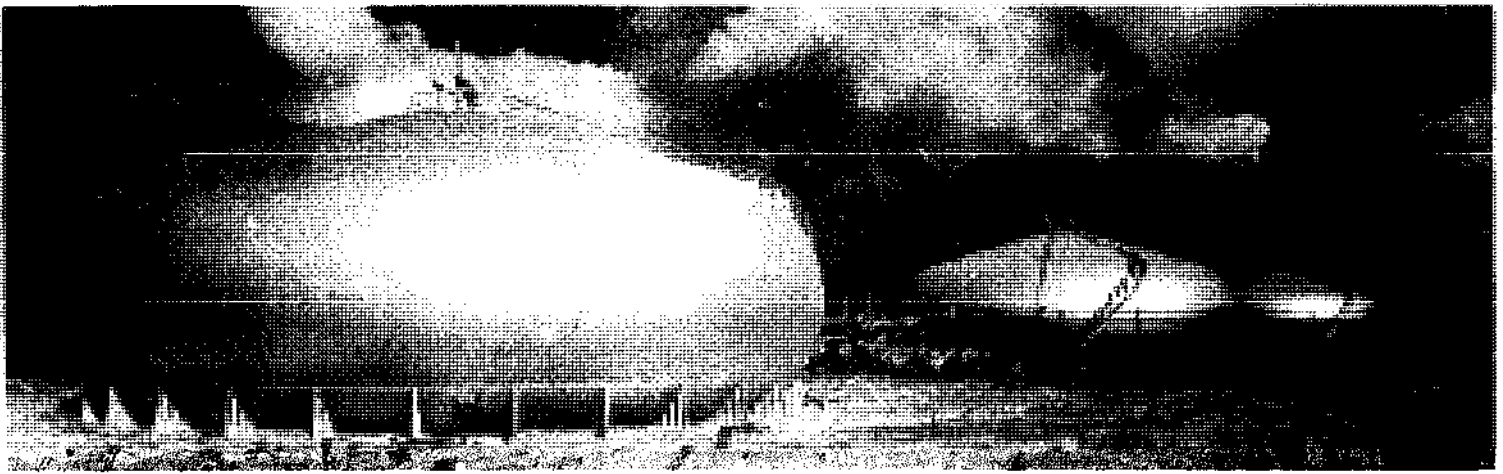


Fig. 1-9. Chicago Bridge and Iron Company Hortonspheroid of 80,000 bbl. capacity in southern Texas. (May 1940)

seam ahead of the carbon electrode. The heat of the arc melted the flux into a slag, which provided shielding. The development proved successful, and penstocks for the TVA project and water conduit for the Los Angeles Water Authority were welded by this process.

Use of a granular flux with a continuously fed bare steel electrode led to development in 1935 of the submerged-arc process, which found its first major use in pipe fabrication and shipbuilding. A 521-ft tanker was fabricated by this process in 1936. By 1940, the submerged-arc process was well accepted, but had proved practical primarily on steel plate over 1/4-in. thick. About 1942, the process was improved to accommodate stock down to 3/32-in. thick, and, thus, become feasible for automotive use and for general metal fabrication.

Hand-held, semiautomatic guns were developed for the submerged-arc process in 1946. Voltage and current were controlled automatically, so that weld quality was uniform and results did not vary with the skill of the operator. Multiple arcs were introduced in 1948, primarily for manufacturing pipe with 1/4 to 1/2-in. walls in diameters from 18 to 36 inches. Subsequent improvements in submerged-arc welding have been mainly in the areas of improved fluxes and more sophisticated welding equipment and controls.

One problem that continued to defy solution was the joining of the reactive metals aluminum and magnesium. Neither the submerged-arc process nor covered electrodes provided enough shielding to adequately protect these metals from atmospheric contamination. To overcome this difficulty, welding engineers began to use bottled inert gases as shielding agents in the early 1930's. Later in that decade, successful gas-shielded processes powered by DC began to emerge from the aircraft industry in

response to a specific need to weld magnesium.

The first gas-shielded process employed a tungsten electrode and helium shielding gas, and became known as the tungsten-arc or tungsten inert-gas (TIG) process. Initially, direct current and a positive electrode were used. It was found, however, that the tungsten electrode tended to overheat and transfer particles of tungsten to the weld unless a low current were used. Researchers then discovered that overheating could be avoided by making the electrode negative. This change proved satisfactory for welding stainless steel, but still was not suitable for magnesium or aluminum. The next development was the use of AC with a high-frequency, high-voltage



Fig. 1-10. Four passes are made inside the tower in this flame-gouged seam joining the head to the shell. A current of 400 amperes and a speed of 14 inches per minute are used. The absence of smoke, spatter, and visible arc rays increases operator efficiency in applications in close quarters such as this. Welds deposited are dense and free of hydrogen, which reduces the tendency to cracking and eliminates porosity. The weld must pass X-ray examination

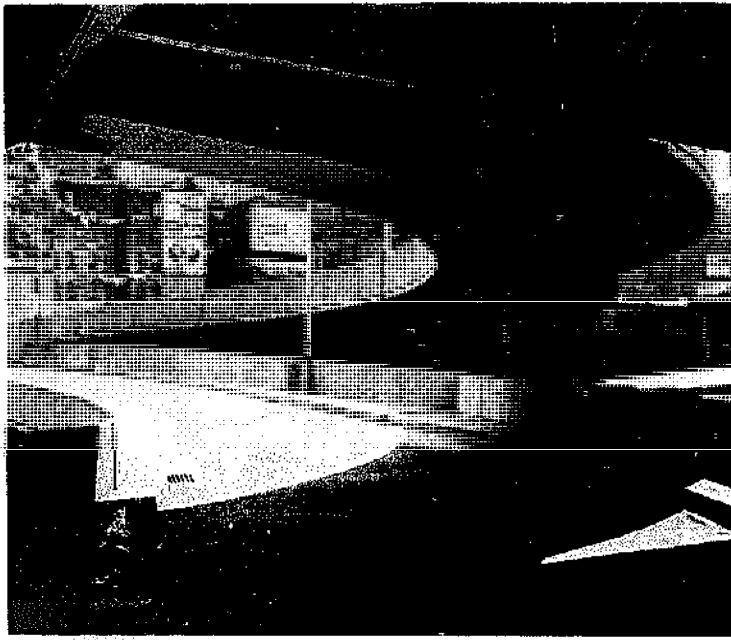


Fig. 1-11. Smooth clean lines, without outside stiffeners, carry ramp on sharp radius curve.

current superimposed over the basic welding current to stabilize the arc. This proved to be the solution to the problem of making good welded joints in aluminum and magnesium. In 1953, the tungsten-arc process was modified by directing the arc through a nozzle, and the resulting method became known as the plasma-arc process.

## POSTWAR DEVELOPMENTS CONTINUE

The tungsten-arc process proved unsatisfactory for welding thick sections of highly conductive materials because the workpieces tended to act as heat sinks. To overcome this difficulty, a consumable metal electrode was substituted for the nonconsumable tungsten electrode. The resulting process, announced in 1948, became known as gas metal-arc, metal-inert-gas, or MIG welding. It proved successful for welding aluminum, and was subsequently adapted for other nonferrous materials and for stainless and mild steels. About this time, studies showed that a more stable arc could be obtained by using gas mixtures instead of pure helium or argon.

An important development in manual covered-electrode welding also occurred in this era — namely the use of iron powder in electrode coverings. One benefit of iron powder in the covering was a faster deposition rate and, thus, greater welding speed. Another was that the weldor could simply drag the electrode along the seam without trying to hold it a fixed distance from the work. Thus, less skill was

required, and proper welding technique could more easily be taught to beginners. The disadvantage of the iron powder in the covering was the high manufacturing cost. However, by 1953, advances in manufacturing technology and electrode design resulted in cost reductions that made possible the marketing of iron-powder electrodes at acceptable prices. The use of iron-powder electrodes became widespread.

As the TIG and MIG processes gained acceptance in the early 1950's, users found that shielding gases based on argon or helium were often too costly. To lower the material cost of the processes, researchers turned to one of the early developments in arc welding, using carbon dioxide gas as a shielding agent. John C. Lincoln, founder of The Lincoln Electric Company, had applied for a patent on this idea in 1918. Refinements in both the process and equipment for welding steel using carbon dioxide as a shielding gas resulted in a low-cost process. This was immediately adopted by automotive shops and other metalworking plants for applications where the quality of the weld was not exceedingly critical.

One of the most significant developments of the period was the Innershield® process, introduced by Lincoln Electric in 1958 for the welding of steel. Prior to its development, self-shielded processes derived protective gases from the decomposition of chemical coverings on the electrode. One could envision possibilities in mechanization with the

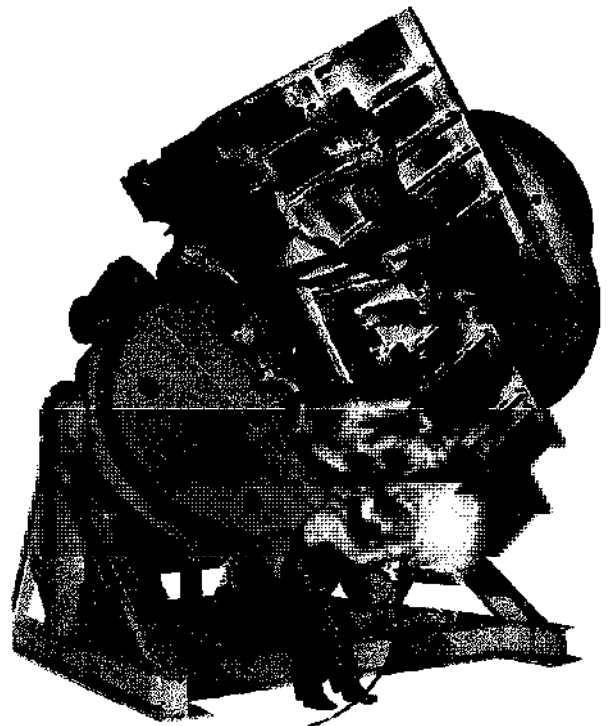


Fig. 1-12. Eight-ton transmission housing.



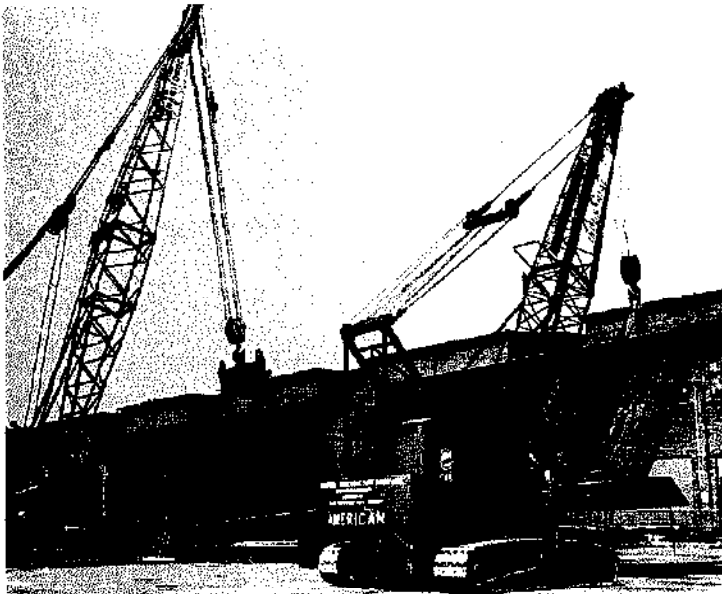


Fig. 1-13. Giant bridge girders for Mississippi River crossing between Dresbach, Minnesota, and Onalaska, Wisconsin, fabricated by Allied Structural Steel.

covered electrode if it could be fed to the arc from a continuous coil. The coverings of such electrodes, however, tended to crack if wound into a coil, and also there was no practical way to feed electric current to a covered continuous electrode. Therefore, self-shielded electrodes as constituted could not be used with automatic or semiautomatic processes.

The Innershield process, also referred to as the self-shielded, flux-cored arc-welding process, solved the problem by incorporating the fluxing and shielding materials inside tubular filler-metal wire. The result was a self-shielded electrode that could be coiled and used with high-speed automatic and semi-automatic equipment. Some of the carbon dioxide-shielded processes also began to employ a fluxed-cored electrode at this time. The concept of a tubular electrode to contain processing ingredients had been employed prior to 1958, but limited to electrodes for surfacing applications.

In 1961, Lincoln Electric introduced an Innershield electrode that provided exceptionally high deposition rates. This electrode — referred to as a “fast-fill” electrode — is widely used in semiautomatic welding. Because heat input with the fast-fill electrode was considerably less than required by older types, the automatically fed electrode holders, or welding “guns,” developed for its use did not require water cooling and, thus, were lightweight and easy to manipulate. The electrode produced welds that had good resistance to cracking and operational characteristics that lessened the amount of care required to fit up workpieces prior to welding.

When first introduced, the fast-fill electrode was limited to single-pass welds in the flat or horizontal positions. By 1962, fast-fill electrodes were available for multiple-pass welds. Thick plates could thus be welded at high deposition rates. In 1967, an all-position electrode was introduced that considerably broadened the application of the process. The American Welding Society has written specifications for flux-cored electrodes. These specifications include both self-shielded electrodes and electrodes requiring gas shielding.

As the arc-welding processes reached a high level of development in the 1960's, research emphasis shifted somewhat. That reliable welds could be produced was unquestionable, but there was some difficulty in determining whether a given weld made in the plant or field met the metallurgical standards for its particular application. Considerable attention was therefore focused on nondestructive testing —



Fig. 1-14. Splicing a column during the erection of a building in Los Angeles, using the semiautomatic self-shielded, flux-cored arc-welding process.

particularly ultrasonic, radiation, magnetic-particle, and dye-penetrant techniques.

Researchers also exerted considerable effort on the development of exotic joining methods, such as laser welding and electron-beam welding — processes that use electricity but do not employ an arc. Although the newer processes do produce welds that were not previously possible, their limitations

restrict their use to relatively few specialized applications.

Arc welding continues to serve as the primary means of metal joining. The flash, smoke, and sputter that emanated from the early European laboratories produced one of the most important processes of modern industry.

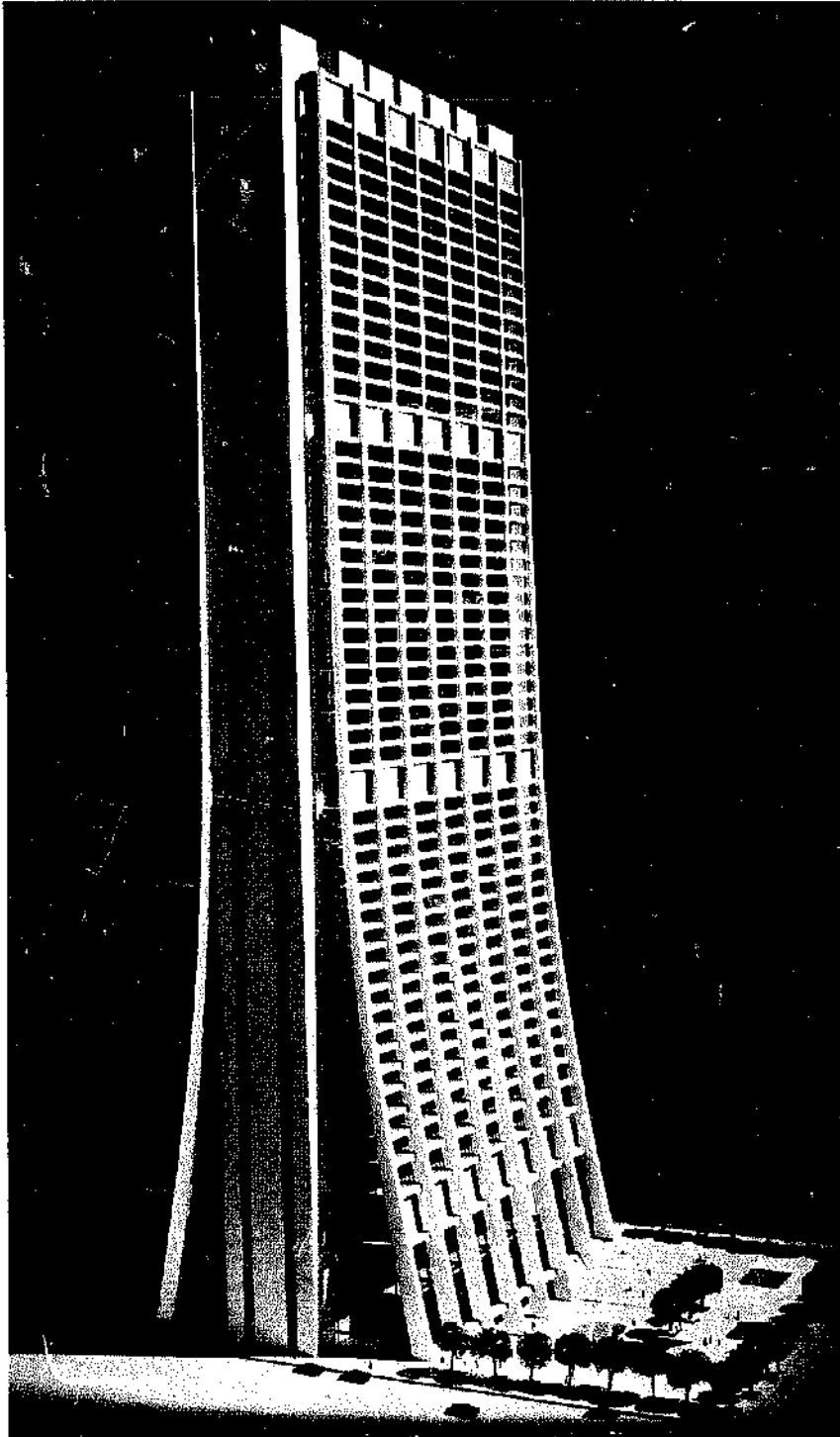


Fig. 1-15. Model of the First National Bank Building in Chicago, a structure that typifies the esthetic features achievable through welded design.

# Properties of Materials

The mechanical and physical properties of materials determine their applicability in the design of a product. In the design of weldments, the properties of primary concern are those that indicate the behavior of metallic materials under various condition of loading. These properties are determined in testing laboratories, where standardized procedures and equipment are used to gather data.

## MECHANICAL PROPERTIES

Mechanical properties of metals are those that reveal the elastic and inelastic behavior when force is applied. They are:

- ultimate tensile strength
- yield strength
- elongation
- modulus of elasticity
- compressive strength
- shear strength
- fatigue strength
- impact strength
- hardness

All except fatigue and impact strength are determined by steadily applied or static loads. Fatigue and impact are determined by pulsating and dynamic loads, respectively.

### Tensile Properties

In the standard tensile test, the machined and smoothly finished metal specimen is marked with a centerpunch at two points 2 in. apart, as shown in Fig. 1-16. The specimen is placed in a tensile-testing machine (Fig. 1-17), and an axial load is applied by raising the upper jaw at a slow, constant rate while the lower jaw remains stationary.

As the pulling progresses, the specimen elongates at a uniform rate that is proportional to the rate at which the load or pulling force increases. The load divided by the cross-sectional area of the specimen within the gage marks at the beginning of the test

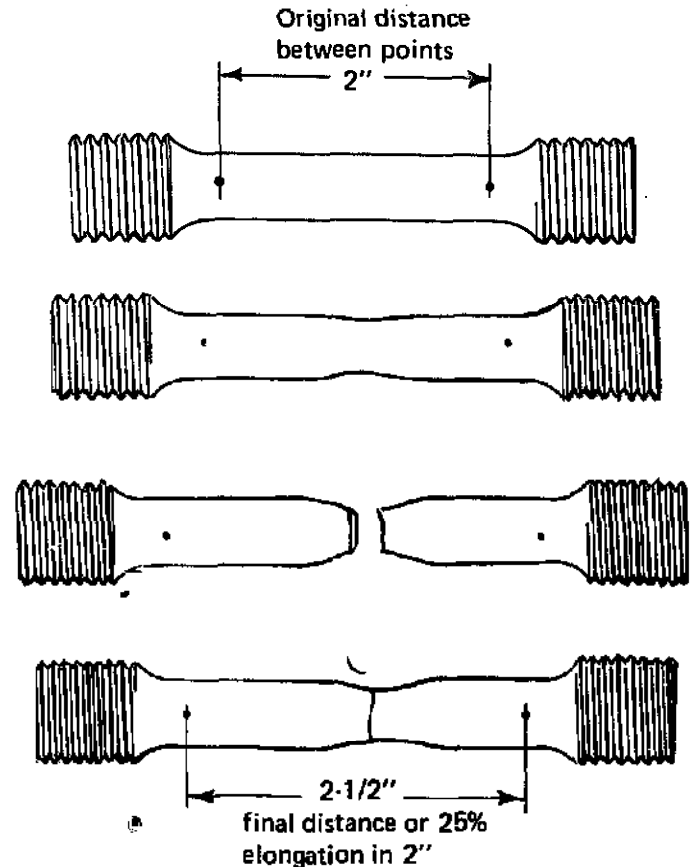


Fig. 1-16. Tensile test specimen before and after testing to failure, showing maximum elongation.

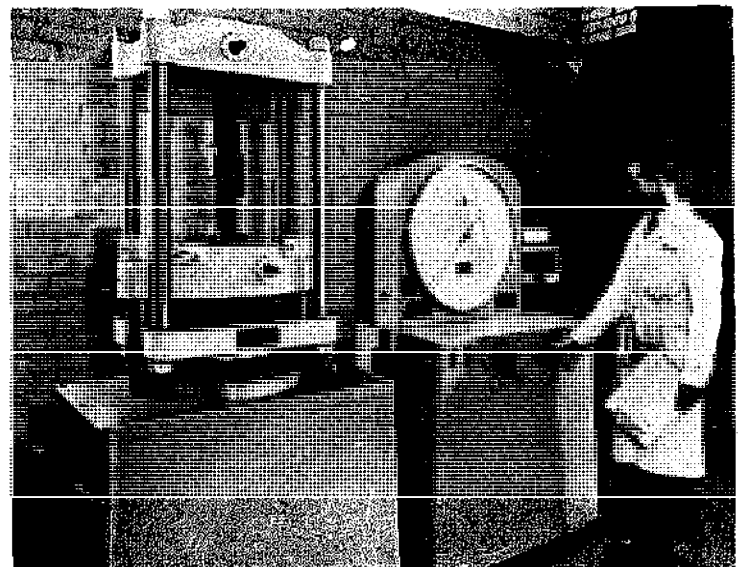


Fig. 1-17. A typical tensile-testing machine. This machine develops the data for the stress-strain diagram.

## 1.2-2 Introduction and Fundamentals

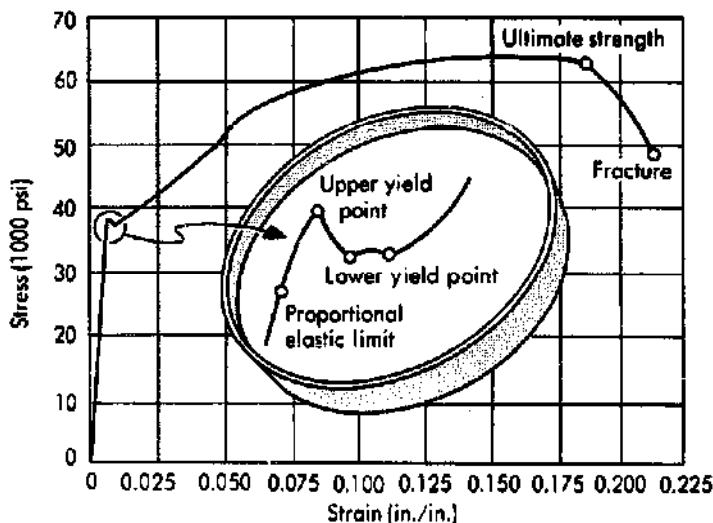


Fig. 1-18. A stress-strain diagram for mild steel. The critical portion of the curve is shown magnified.

represents the unit stress or the resistance of the material to the pulling or tensile force. The *stress* ( $\sigma$ ) is expressed in pounds per square inch, psi. The elongation of the specimen represents the *strain* ( $\epsilon$ ) induced in the material and is expressed in inches per inch of length, in./in. Stress and strain are plotted in a diagram shown in a simplified form in Fig. 1-18.

The proportional relationship of load to elongation, or of stress to strain, continues until a point is reached where the elongation begins to increase at a faster rate. This point, beyond which the elongation of the specimen no longer is proportional to the loading, is the *proportional elastic limit* of the material. When the load is removed before this point, the specimen returns to its original length and diameter.

Movement of the testing-machine jaw beyond the elastic limit causes a permanent elongation or deformation of the specimen. In the case of low or medium-carbon steels, a point is reached beyond which the metal stretches briefly without an increase in load. This is the yield point. The unit stress at the yield point is considered to be the material's *tensile yield strength* ( $\sigma_y$ ).

Beyond the material's elastic limit, continued pulling causes the specimen to neck down across its diameter. This action is accompanied by a further acceleration of axial elongation, which is now largely confined to the relatively short necked-down section.

The pulling eventually reaches a maximum value, and then falls off rapidly, with little additional elongation of the specimen before fracture

occurs. In fracturing, the specimen breaks in two within the necked-down portion. The maximum pulling load in pounds, divided by the original cross section in square inches, is the material's ultimate tensile strength ( $\sigma_u$ ).

The standard tensile test specimen is shown in Fig. 1-19. (See ASTM E 8 for other sizes of round specimens.) The standard test specimen for testing a welded joint transverse to the weld is shown in Fig. 1-20.

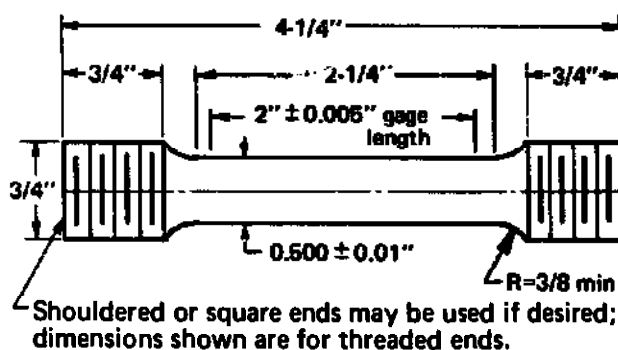


Fig. 1-19. A standard tensile test specimen. The threaded ends may be changed to fit the testing machine.

### Ductility and Elasticity

The two halves of the fractured specimen are next fitted together as closely as possible, and the distance between the two punch marks is measured (Fig. 1-16). The increase in length gives the *elongation* of the specimen in 2 in. and is usually expressed as a percentage. The diameter at the point of fracture is measured and the area calculated. The reduction from the original area is calculated. The reduction in area is expressed as a percentage. Both the

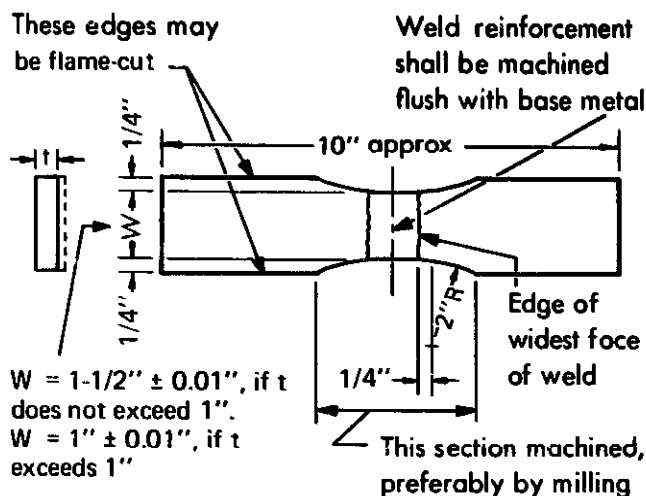


Fig. 1-20. A standard tensile test specimen for transverse test of a welded joint.

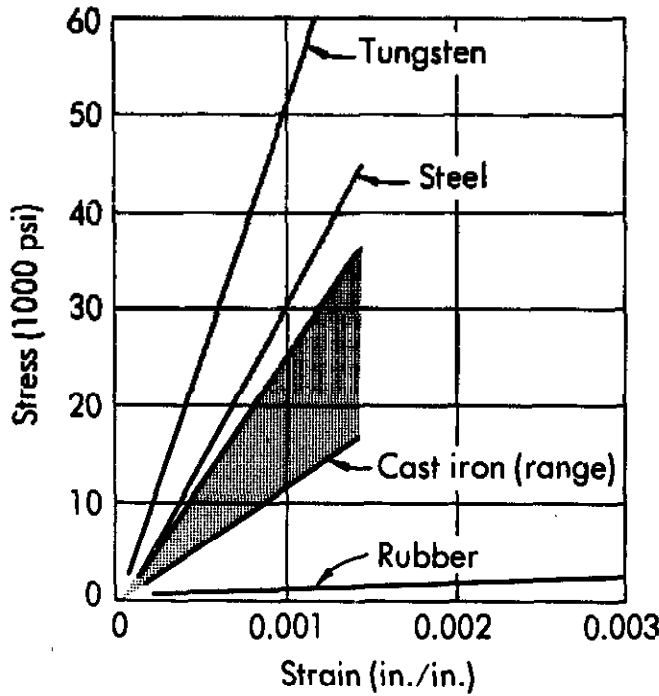


Fig. 1-21. Typical stress-strain curves within the elastic limit of several materials.

elongation percentage and the reduction in area percentage are measures of *ductility*.

In the design of most structural members, it is essential to keep the loading stresses within the elastic range. If the elastic limit (very close to the material's yield strength) is exceeded, permanent deformation takes place due to plastic flow. When this happens, the material is strain-hardened and, thereafter, has a higher effective elastic limit and higher yield strength.

Under the same stress, materials stretch different amounts. The *modulus of elasticity* (*E*) of a material simplifies the comparison of its stiffness with that of another material. This property is the ratio of the stress to the strain within the elastic range.

$$\frac{\text{Stress } \sigma}{\text{Strain } \epsilon} = \text{Modulus of elasticity } E$$

On a stress-strain diagram, the modulus of elasticity is represented visually by the straight portion of the curve where the stress is directly proportional to the strain. The steeper the curve, the higher the modulus of elasticity and the stiffer the material. (See Fig. 1-21.)

Any steel has a modulus of elasticity in tension of approximately 30 million psi. The American Iron and Steel Institute uses a more conservative value of 29 million psi for the modulus of elasticity of steel. The modulus of elasticity will vary for other metals. Steel, however, has the highest value for any

commercially available metal used in the structural field.

### Compressive Strength

In general design practice, it is assumed that the compressive strength of steel is equal to its tensile strength. This practice is also adhered to in some rigid-design calculations, where the modulus of elasticity of the material in tension is used even though the loading is compressive.

The actual *ultimate compressive strength* of steel is somewhat greater than the ultimate tensile strength. Variations in compressive values are partially dependent on the condition of the steel. The compressive strength of an annealed steel is closer to its tensile strength than would be the case with a cold-worked steel. There is even greater variation between the compressive and tensile strengths of cast iron and nonferrous metals.

The compressive test is conducted in a manner similar to that for tensile properties. A short specimen is subjected to a compressive load, and the ultimate compressive strength is reached when the specimen fails by crushing.

### Shear Strength

There is no recognized standard method for testing the shear strength of a material. Fortunately, pure shear loads are seldom encountered in structural members, but shear stresses frequently develop as a byproduct of principal stresses or the

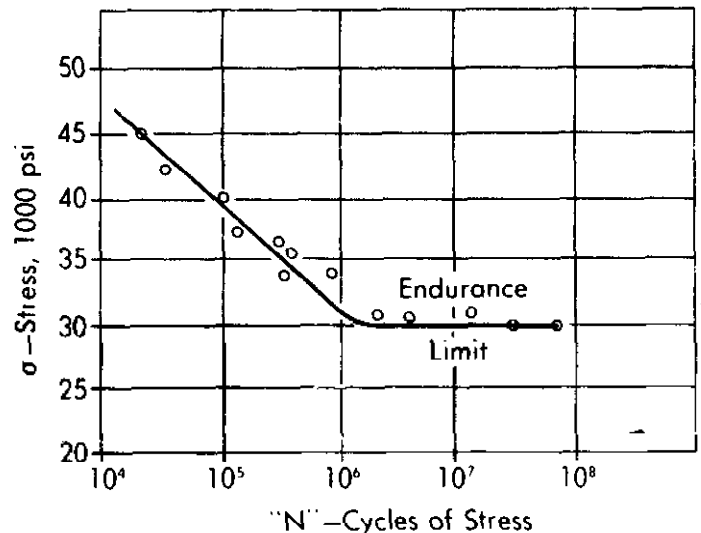


Fig. 1-22. Fatigue test results are plotted to develop a  $\sigma$ -*N* diagram; stress vs. the number of cycles before failure.

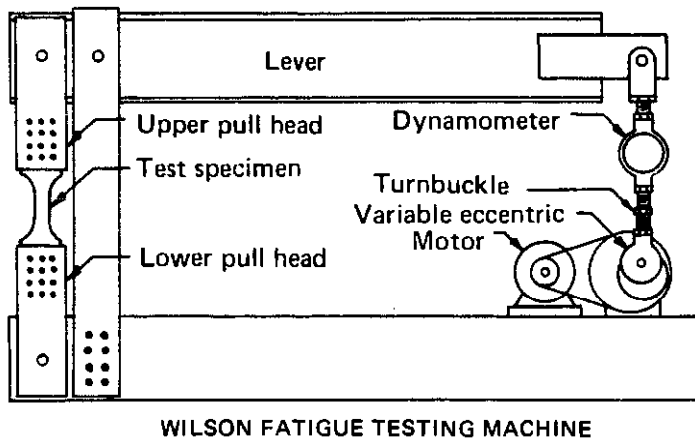


Fig. 1-23. Typical machine for fatigue testing with a pulsating axial stress.

application of transverse forces.

The *ultimate shear strength* ( $\tau$ ) can be obtained by the actual shearing of the metal, usually in a punch-and-die setup, using a ram moving slowly at a constant rate. The maximum load required to punch through is observed and is used to calculate the ultimate shear strength.

Since this is a tedious procedure, the ultimate shear strength, is generally assumed to be 3/4 the ultimate tensile strength for most structural steels.

### Fatigue

When the load on the member is constantly varying, is repeated at relatively high frequency, or constitutes a complete reversal of stresses with each operating cycle, the material's fatigue strength must be substituted for ultimate tensile where called for by design formulas.

Under high load, the variable or fatigue mode of loading reduces the material's effective ultimate strength as the number of cycles increases. At a

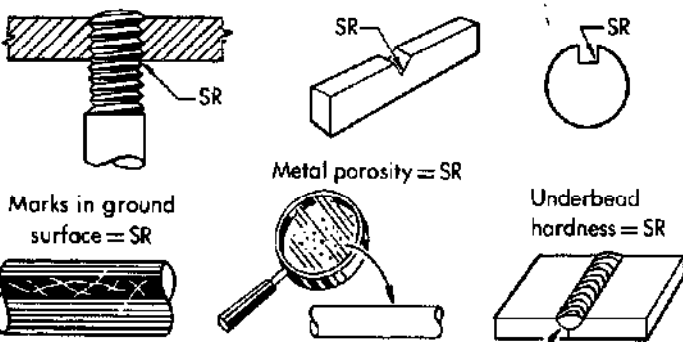


Fig. 1-24. Examples of stress raisers (SR) that lower the fatigue strength.

given high stress, the material has a definite service life expressed in "N" cycles of operation.

A series of identical specimens are tested, each under a specific load expressed as unit stress. The unit stress is plotted for each specimen against the number of cycles before failure. The result is a  $\sigma$ -N diagram. (See Fig. 1-22.)

The *endurance limit* is the maximum stress to which the material can be subjected for an indefinite service life. Although the standards vary for various types of members and different industries, it is common practice to accept the assumption that carrying a certain load for several million cycles of stress reversals indicates that the load can be carried for an indefinite time. Theoretically, the load on the test specimen (Fig. 1-23) should be the same type as the load on the proposed member.

Since the geometry of the member, the presence of local areas of high stress concentration, and the condition of the material have considerable influence on the real fatigue strength, prototypes of the member or its section would give the most reliable information as test specimens. However, this is not always practical. The volume "Design of Welded Structures," by Omer W. Blodgett, gives a detailed discussion of fatigue and may be helpful in appraising endurance limits when test data or handbook values are not available.

Local areas of high stress concentration are caused by stress raisers. These are notches, grooves, cracks, tool marks, sharp inside corners, or any other sudden changes in the cross section of the member, as illustrated in Fig. 1-24. Stress raisers can drastically reduce the fatigue life of a member.

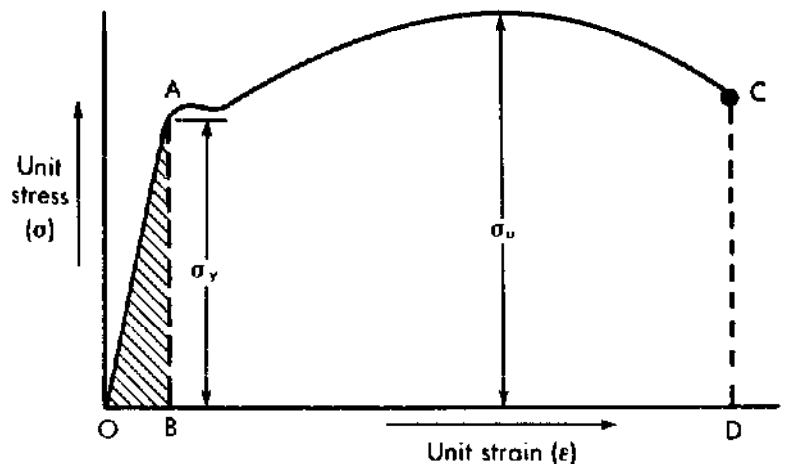


Fig. 1-25. The stress-strain diagram for determining the modulus of resilience and the toughness in terms of ultimate energy resistance.

### Impact Strength

*Impact strength* is the ability of a metal to absorb the energy of a load rapidly applied to the member. A metal may have good tensile strength and good ductility under static loading, yet fracture if subjected to a high-velocity blow.

The two most important properties that indicate the material's resistance to impact loading are obtained from the stress-strain diagram. (See Fig. 1-25.) First is the *modulus of resilience* ( $u$ ), which is a measure of how well the material absorbs energy when not stressed above the elastic limit or yield point. It indicates the material's resistance to deformation from impact loading. The modulus of resilience ( $u$ ) is the triangular area OBA under the stress-strain curve, having its apex at the elastic limit. For practicality, let the yield strength ( $\sigma_y$ ) be the altitude of the right triangle and the resultant strain ( $\epsilon_y$ ) be the base. Then

$$u = \frac{\sigma_y \epsilon_y}{2}$$

$$E = \frac{\sigma_y}{\epsilon_y} \quad \epsilon_y = \frac{\sigma_y}{E}$$

$$u = \frac{\sigma_y^2}{2E}$$

- where E is modulus of elasticity
- $\sigma_y$  is yield strength
- $\epsilon_y$  is yield strain
- u is modulus of resilience

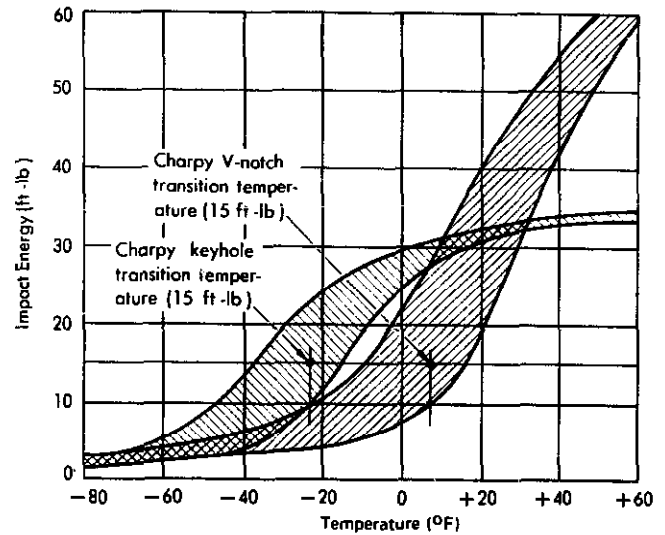


Fig. 1-27. Typical curves for the two types of impact test specimens using the same steel. There is no reliable method to convert V notch data to keyhole values or vice versa.

Since the absorption of energy is actually a volumetric property, modulus of resilience is expressed in in.-lb/in.<sup>3</sup>

When impact loading exceeds the elastic limit (or yield strength) of the material, it calls for toughness in the material rather than resilience. Toughness, the ability of the metal to resist fracture under impact loading, is indicated by its *ultimate energy resistance* ( $u_u$ ). This is a measure of how well the material absorbs energy without fracture. The ultimate energy resistance ( $u_u$ ) is the total area OACD under the stress-strain curve.

Tests developed for determining the impact strength of metals often give misleading results.

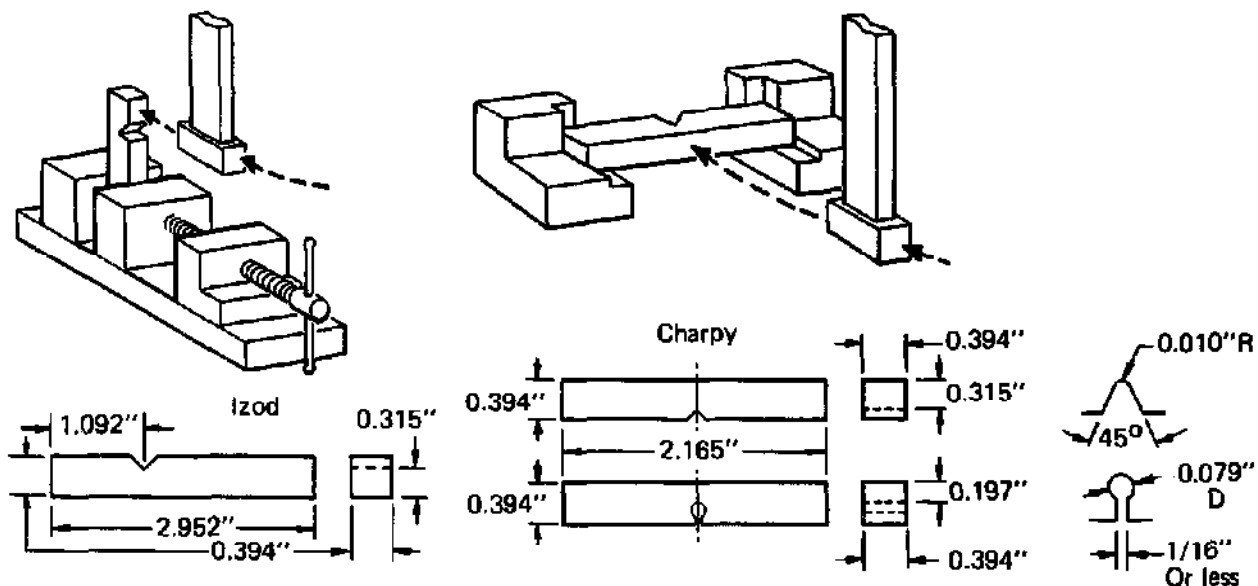


Fig. 1-26. Charpy impact test specimens showing the method of holding the specimen and applying the load. Two types of Charpy specimens are shown. The upper is V notch and the lower is keyhole notch.

Nearly all testing is done with notched specimens. Such tests give results that more accurately describe notch toughness. The two standard tests are Izod and Charpy. In recent years, the Charpy has been replacing the Izod.

In the Charpy test for *notch impact strength*, there are two types of commonly used specimens, those prepared with the keyhole notch and those with the V notch. Other types of specimens less commonly used are described in *ASTM Standard E 23*. The test specimen (Fig. 1-26) is placed on an anvil, and a heavy pendulum, which swings from a standard height, strikes the specimen on the side opposite the notch. The testing machine indicates the amount of energy in ft-lb required to fracture the specimen. This is a measure of the notch impact strength. Some steels exhibit a considerable loss of notch impact strength at low temperatures, and, for this reason, tests are made at different temperatures to get the type of information shown in Fig. 1-27.

### Hardness

Hardness, as related to metals, is the ability of the material to resist indentation or penetration. Two common methods of measuring hardness (Fig. 1-28) are Brinell and Rockwell. Both methods use a penetrometer with either a hard sphere or a sharp diamond point. The penetrometer is applied to the material under a standardized load, the load

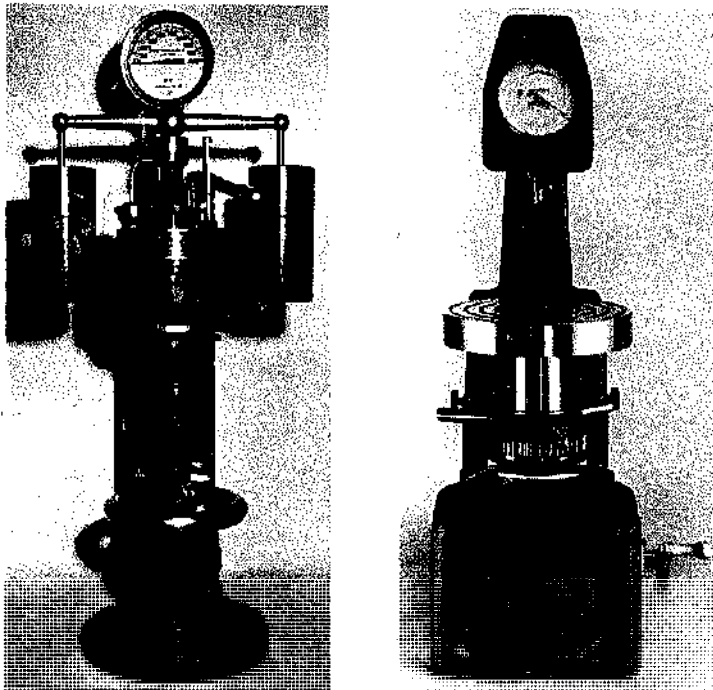


Fig. 1-28. Brinell hardness tester on left measures hardness by the amount of penetration into the metal made by a hard sphere. The Rockwell tester on the right uses either a hard sphere or a sharp diamond point, depending on the hardness of the material.

removed, and the penetration measured. A numerical value is assigned to the amount of penetration. Another method, Shore Scleroscope, measures the height of rebound of a diamond-tipped hammer when dropped a certain distance. Harder materials cause a higher rebound.

A conversion table appears in Section 16 for the hardness numbers of Brinell and Rockwell. This table is reasonably accurate, but has certain limitations. (For limitations, see *ASTM Standard E 140*.)

## PHYSICAL PROPERTIES

Physical properties of metals are those other than mechanical and chemical that describe the nature of the metal. They are:

- density
- electrical conductivity
- thermal conductivity
- thermal expansion
- melting point

### Density

*Density* of a material is the weight per unit volume. The density of metals is important to the designer, but more important to the weldor is the density of gases. Shielding around the arc is more efficient with a gas with high density.

### Electrical Conductivity

*Electrical conductivity* is the efficiency of a material in conducting electrical current. Silver and copper have relatively high electrical conductivities compared to other metals, silver being slightly higher than copper. The conductivity of electrolytic tough pitch copper (ETP) is 101% of the International Annealed Copper Standard (IACS). Other metals compare as follows:

Aluminum (99.99% pure)	65%
Aluminum alloy 5052	35
Mild steel	15
Stainless steel type 400	3
Stainless steel type 300	2.5

### Thermal Conductivity

The rate at which heat flows through a material is called *thermal conductivity*. The difference in thermal conductivity between iron and copper can be demonstrated by the arrangement shown in Fig. 1-29. Because the thermal conductivity of copper is



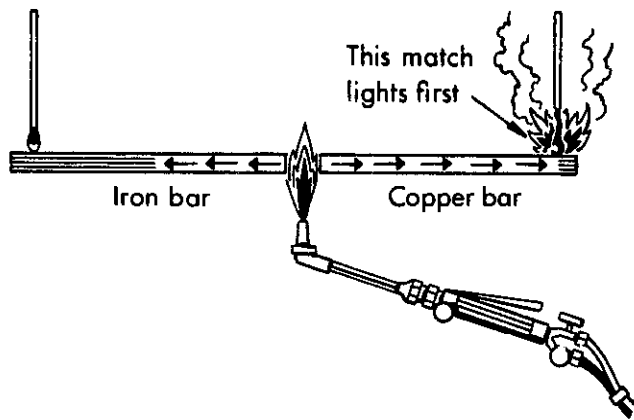


Fig. 1-29. Torch starts heating both the copper bar and the iron bar at the same time. The match in contact with the copper bar ignites first because of the higher thermal conductivity of copper.

TABLE 1-1. THERMAL CONDUCTIVITY OF METALS

Metal	Thermal Conductivity near room temperature cal/cm <sup>2</sup> /cm <sup>0</sup> C/sec
Aluminum EC (99.45%)	0.57
Aluminum 1100	0.53
Aluminum 6061	0.41
Aluminum casting 43	0.34
Copper ETP	0.93
Red brass (15% Zn)	0.38
Cupro-Nickel (30% Ni)	0.070
Nickel (99.95%)	0.22
Monel	0.062
Inconel	0.036
Silver	1.0
Pure iron	0.18
Steel (0.23% C, 0.64% Mn)	0.12
Stainless steel (Type 410)	0.057
Stainless steel (Type 304)	0.036
Manganese steel (14% Mn)	0.032

Data from ASM Handbook Vol. 1

about five times that of iron, the match in contact with the copper ignites first.

The thermal conductivity of some of the common metals is shown in Table 1-1. The high thermal conductivity of copper explains why copper is a good material for backup bars. This also explains why copper must be welded with a high heat input or preheat in order to obtain a satisfactory weld.

### Thermal Expansion

Most metals expand when heated. The change in length is expressed as the *coefficient of linear expansion* and in English units is inches per inch per degree F (in./in./°F). At room temperature, the coefficient for steel is .0000065 in./in./°F, usually expressed  $6.5 \times 10^{-6}$  in./in./°F.

Coefficients for thermal expansion are not constant throughout the entire temperature range — for example, from room temperature to the melting point. For this reason, the handbooks give a coefficient within a definite temperature range.

Metals with a high coefficient of expansion present more warping problems, especially if the thermal conductivity is low. The thermal coefficient of linear expansion for several metals is given in Table 1-2.

### Melting Point

A pure metal has a definite *melting point* that is the same temperature as its freezing point. Alloys and mixtures of metals start to melt at one temperature (solidus), but the melting is not completed until a higher temperature (liquidus) is reached.

Arc welding a metal with a low melting point or low solidus requires less heat input and more accurate control of the process to prevent burning through, especially if the metal is thin. Melting points of some common metals and other temperatures of interest are shown in Fig. 1-30.

TABLE 1-2. COEFFICIENTS OF LINEAR THERMAL EXPANSION OF SOME METALS AT 68°F

Metal	(in./in./°F × 10 <sup>-6</sup> )	Metal	(in./in./°F × 10 <sup>-6</sup> )
Aluminum	13.1	Molybdenum	2.7
Beryllium	6.4	Nickel	7.4
Copper	9.2	Silver	10.9
Iron	6.5	Titanium	4.7
Lead	16.3	Tungsten	2.6
Magnesium	15.1	Zinc	22.0

Data from ASM Handbook Vol. 1

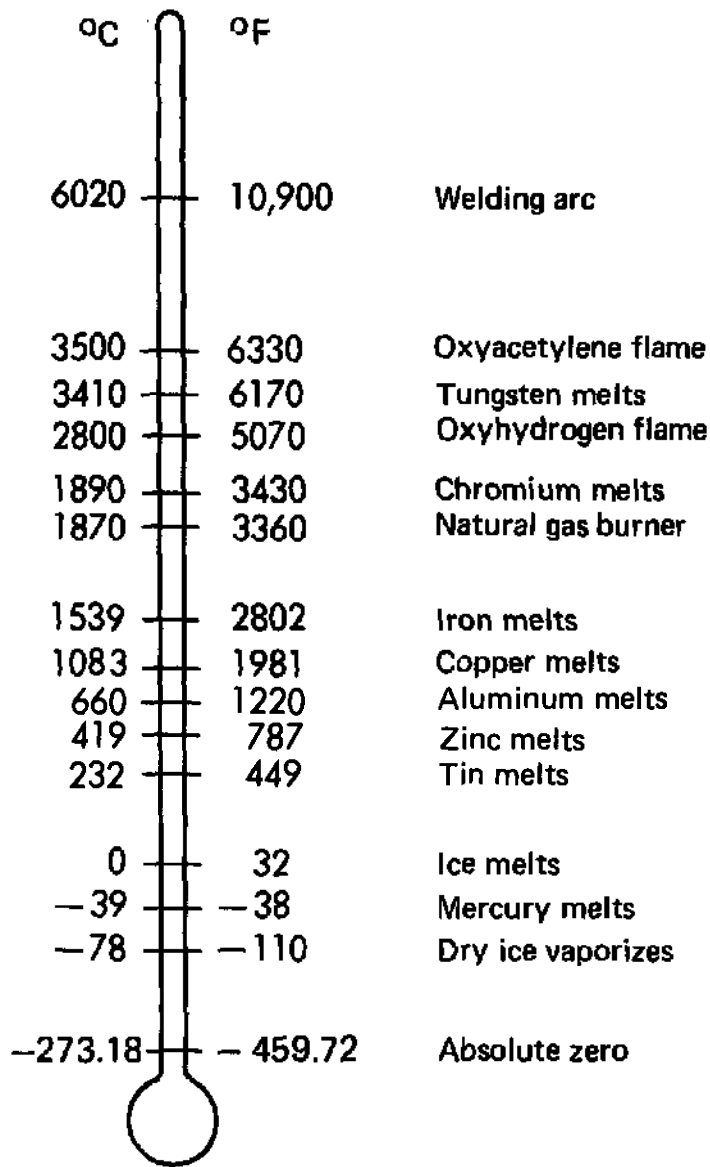


Fig. 1-30. Melting points of some metals and other temperatures of interest.

## Arc-Welding Fundamentals

Arc welding is one of several fusion processes for joining metals. By the application of intense heat, metal at the joint between two parts is melted and caused to intermix — directly or, more commonly, with an intermediate molten filler metal. Upon cooling and solidification, a metallurgical bond results. Since the joining is by intermixture of the substance of one part with the substance of the other part, with or without an intermediate of like substance, the final weldment has the potential for exhibiting at the joint the same strength properties as the metal of the parts. This is in sharp contrast to nonfusion processes of joining — such as soldering, brazing, or adhesive bonding — in which the mechanical and physical properties of the base materials cannot be duplicated at the joint.

In arc welding, the intense heat needed to melt metal is produced by an electric arc. The arc is formed between the work to be welded and an electrode that is manually or mechanically moved along the joint (or the work may be moved under a stationary electrode). The electrode may be a carbon or tungsten rod, the sole purpose of which is to carry the current and sustain the electric arc between its tip and the workpiece. Or, it may be a specially prepared rod or wire that not only conducts the current and sustains the arc but also melts and supplies filler metal to the joint. If the electrode is a carbon or tungsten rod and the joint requires added metal for fill, that metal is supplied by a separately applied filler-metal rod or wire. Most welding in the manufacture of steel products where filler metal is required, however, is accomplished with the second type of electrodes — those that supply filler metal as well as providing the conductor for carrying electric current.

### BASIC WELDING CIRCUIT

The basic arc-welding circuit is illustrated in Fig. 1-31. An AC or DC power source, fitted with whatever controls may be needed, is connected by a ground cable to the workpiece and by a “hot” cable to an electrode holder of some type, which makes electrical contact with the welding electrode. When the circuit is energized and the electrode tip touched

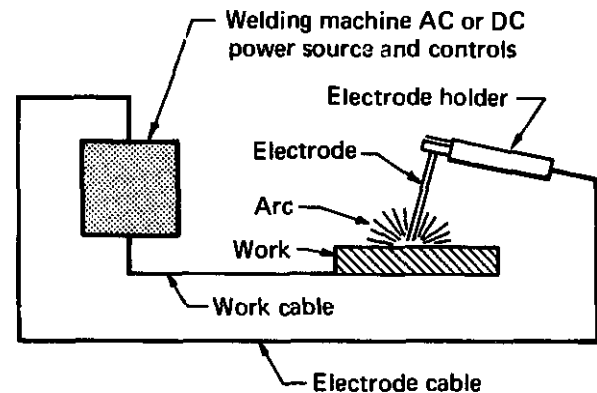


Fig. 1-31. The basic arc-welding circuit.

to the grounded workpiece, and then withdrawn and held close to the spot of contact, an arc is created across the gap. The arc produces a temperature of about 6500°F at the tip of the electrode, a temperature more than adequate for melting most metals. The heat produced melts the base metal in the vicinity of the arc and any filler metal supplied by the electrode or by a separately introduced rod or wire. A common pool of molten metal is produced, called a “crater.” This crater solidifies behind the electrode as it is moved along the joint being welded. The result is a fusion bond and the metallurgical unification of the workpieces.

### ARC SHIELDING

Use of the heat of an electric arc to join metals, however, requires more than the moving of the electrode in respect to the weld joint. Metals at high temperatures are reactive chemically with the main constituents of air — oxygen and nitrogen. Should the metal in the molten pool come in contact with air, oxides and nitrides would be formed, which upon solidification of the molten pool would destroy the strength properties of the weld joint. For this reason, the various arc-welding processes provide some means for covering the arc and the molten pool with a protective shield of gas, vapor, or slag. This is referred to as arc shielding, and such shielding may be accomplished by various techniques, such as the use of a vapor-generating covering on filler-metal-type electrodes, the covering of

the arc and molten pool with a separately applied inert gas or a granular flux, or the use of materials within the core of tubular electrodes that generate shielding vapors.

Whatever the shielding method, the intent is to provide a blanket of gas, vapor, or slag that prevents or minimizes contact of the molten metal with air. The shielding method also affects the stability and other characteristics of the arc. When the shielding is produced by an electrode covering, by electrode core substances, or by separately applied granular flux, a fluxing or metal-improving function is usually also provided. Thus, the core materials in a flux-cored electrode may supply a deoxidizing function as well as a shielding function, and in submerged-arc welding the granular flux applied to the joint ahead of the arc may add alloying elements to the molten pool as well as shielding it and the arc.

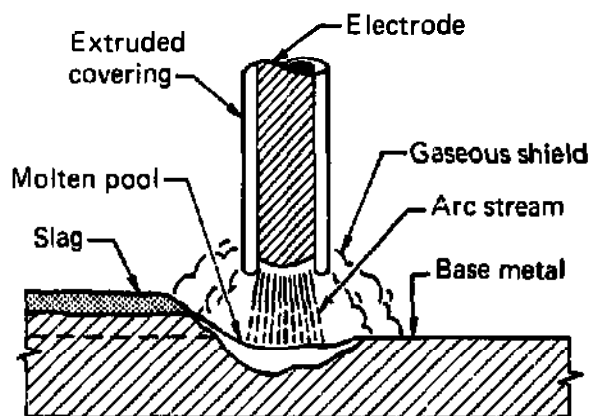


Fig. 1-32. How the arc and molten pool are shielded by a gaseous blanket developed by the vaporization and chemical breakdown of the extruded covering on the electrode when stick-electrode welding. Fluxing material in the electrode covering reacts with unwanted substances in the molten pool, tying them up chemically and forming a slag that crusts over the hot solidified metal. The slag, in turn, protects the hot metal from reaction with the air while it is cooling.

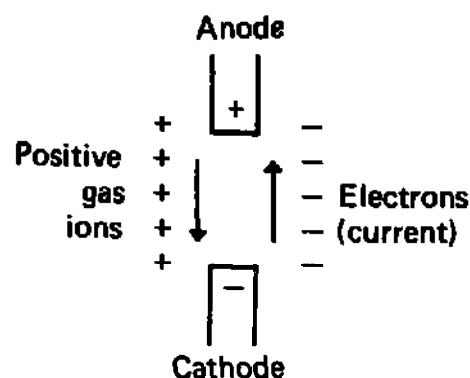
Figure 1-32 illustrates the shielding of the welding arc and molten pool with a covered "stick" electrode — the type of electrode used in most manual arc welding. The extruded covering on the filler metal rod, under the heat of the arc, generates a gaseous shield that prevents air from contacting the molten metal. It also supplies ingredients that react with deleterious substances on the metals, such as oxides and salts, and ties these substances up chemically in a slag that, being lighter than the weld metal, arises to the top of the pool and crusts over the newly solidified metal. This slag, even after solidification, has a protective function; it minimizes contact of the very hot solidified metal with air

until the temperature lowers to a point where reaction of the metal with air is lessened.

While the main function of the arc is to supply heat, it has other functions that are important to the success of arc-welding processes. It can be adjusted or controlled to transfer molten metal from the electrode to the work, to remove surface films, and to bring about complex gas-slag-metal reactions and various metallurgical changes. The arc, itself, is a very complex phenomenon, which has been intensively studied. In-depth understanding of the physics of the arc is of little value to the weldor, but some knowledge of its general characteristics can be useful.

### NATURE OF THE ARC

An arc is an electric current flowing between two electrodes through an ionized column of gas, called a "plasma." The space between the two electrodes — or in arc welding, the space between the electrode and the work — can be divided into three areas of heat generation: the cathode, the anode, and the arc plasma.



The welding arc is characterized as a high-current, low-voltage arc that requires a high concentration of electrons to carry the current. Negative electrons are emitted from the cathode and flow — along with the negative ions of the plasma — to the positive anode. Positive ions flow in the reverse direction. A negative ion is an atom that has picked up one or more electrons beyond the number needed to balance the positive charge on its nucleus — thus the negative charge. A positive ion is an atom that has lost one or more electrons — thus the positive charge. However, just as in a solid conductor, the principal flow of current in the arc is by electron travel.

Heat is generated in the cathode area mostly by the positive ions striking the surface of the cathode. Heat at the anode is generated mostly by the electrons. These have been accelerated as they pass through the plasma by the arc voltage, and they give up their energy as heat when striking the anode.

The plasma, or arc column, is a mixture of neutral and excited gas atoms. In the central column of the plasma, electrons, atoms, and ions are in accelerated motion and constantly colliding. The hottest part of the plasma is the central column, where the motion is most intense. The outer portion or the arc flame is somewhat cooler and consists of recombining gas molecules that were disassociated in the central column.

The distribution of heat or voltage drop in the three heat zones can be changed. Changing the arc length has the greatest effect on the arc plasma. Changing the shielding gas can change the heat balance between the anode and cathode. The addition of potassium salts to the plasma reduces the arc voltage because of increased ionization.

The difference in the heat generated between the anode and cathode can determine how certain types of arcs are used. For example, when TIG welding aluminum using argon gas; the electrode as a cathode (negative) can use about 10 times more current without melting than when used as an anode (positive). This indicates the anode generates more heat than the cathode. The submerged-arc welding process generates more heat at the cathode rather than the anode, as evidenced by the higher melt-off rate when the electrode is negative. The same is also true for EXX10 stick-electrode welding.

In welding, the arc not only provides the heat needed to melt the electrode and the base metal but under certain conditions must also supply the means to transport the molten metal from the tip of the electrode to the work. Several mechanisms for metal transfer exist. In one the molten drop of metal touches the molten metal in the crater and transfer is by surface tension. In another, the drop is ejected from the molten metal at the electrode tip by an electric pinch. It is ejected at high speed and retains this speed unless slowed by gravitational forces. It may be accelerated by the plasma as in the case of a pinched plasma arc. These forces are the ones that transfer the molten metal in overhead welding. In flat welding, gravity also is a significant force in metal transfer.

If the electrode is consumable, the tip melts under the heat of the arc and molten droplets are detached and transported to the work through the

arc column. Any arc-welding system in which the electrode is melted off to become part of the weld is described as "metal-arc." If the electrode is refractory — carbon or tungsten — there are no molten droplets to be forced across the gap and onto the work. Filler metal is melted into the joint from a separate rod or wire.

More of the heat developed by the arc ends up in the weld pool with consumable electrodes than with nonconsumable electrodes, with the result that higher thermal efficiencies and narrower heat-affected zones are obtained. Typical thermal efficiencies for metal-arc welding are in the range from 75 to 80 percent; for welding with nonconsumable electrodes, 50 to 60 percent.

Since there must be an ionized path to conduct electricity across a gap, the mere switching on of the welding current with a cold electrode posed over the work will not start the arc. The arc must first be "ignited." This is accomplished either by supplying an initial voltage high enough to cause a discharge or by touching the electrode to the work and then withdrawing it as the contact area becomes heated. High-frequency spark discharges are frequently used for igniting gas-shielded arcs, but the most common method of striking an arc is the touch-and-withdraw method.

Arc welding may be done with either AC or DC current and with the electrode either positive or negative. The choice of current and polarity depends on the process, the type of electrode, the arc atmosphere, and the metal being welded. Whatever the current, it must be controlled to satisfy the variables — amperage and voltage — which are specified by the welding procedures.

## OVERCOMING CURRENT LIMITATIONS

The objective in commercial welding is to get the job done as fast as possible so as to lessen the time costs of skilled workers. One way to speed the welding process would be to raise the current — use a higher amperage — since the faster electrical energy can be induced in the weld joint, the faster will be the welding rate.

With manual stick-electrode welding, however, there is a practical limit to the current. The covered electrodes are from 9 to 18-in. long, and, if the current is raised too high, electrical resistance heating within the unused length of electrode will become so great that the covering overheats and "breaks down" — the covering ingredients react with each

other or oxidize and do not function properly at the arc. Also, the hot core wire increases the melt-off rate and the arc characteristics change. The mechanics of stick-electrode welding is such that electrical contact with the electrode cannot be made immediately above the arc — a technique that would circumvent much of the resistance heating.

Not until semiautomatic guns and automatic welding heads, which are fed by continuous electrode wires, were developed was there a way of solving the resistance-heating problem and, thus, making feasible the use of high currents to speed the welding process. In such guns and heads, electrical contact with the electrode is made close to the arc. The length between the tip of the electrode and the point of electrical contact is, then, inadequate for enough resistance heating to take place to overheat the electrode in advance of the arc, even with currents two or three times those usable with stick-electrode welding.

This solving of the “point-of-contact” problem and circumventing the effects of resistance heating in the electrode was a breakthrough that substantially lowered welding costs and increased the use of arc welding in industrial metals joining. In fact, through the ingenuity of welding equipment manufacturers, the resistance-heating effect has been put to work constructively in a technique known as long-stickout welding. Here, the length of electrode

between the point of electrical contact in the welding gun or head and the arc is adjusted so that resistance heating almost — but not quite — overheats the protruding electrode. Thus, when a point on the electrode reaches the arc, the metal at that point is about ready to melt. Thus, less arc heat is required to melt it — and, because of this, still higher welding speeds are possible.

The subsequent sections on arc-welding processes will elaborate on the significance of point-of-contact and the long-stickout principle of arc welding.

## EFFECTS OF ARC ON METAL PROPERTIES

In subsequent sections, also, the effects of the heat of the welding arc on the metallurgy and mechanical properties of weld metal and adjacent base will be discussed. A point to bear in mind is that what takes place immediately under the welding arc is similar to what takes place in an electrical furnace for the production of metals. Electrical-furnace steels are premium grades; weld metal from steel electrodes is newly prepared “electric-furnace” steel and also premium grade. Properly executed welds are almost always superior in mechanical properties to the metals they join. In no other metals-joining process is the joint customarily stronger than the metals joined.

## DESIGNING FOR ARC WELDING

## SECTION 2.1

THE SYSTEMS APPROACH TO  
WELDED DESIGN

	Page
Introduction .....	2.1-1
General Considerations .....	2.1-1
Analysis of Present Design .....	2.1-2
Determination of Load Conditions .....	2.1-2
Major Design Factors .....	2.1-2
Layout .....	2.1-2
Plate Preparation .....	2.1-3
Forming and Special Sections .....	2.1-3
Welded Joint Design .....	2.1-3
Size and Amount of Weld .....	2.1-4
Use of Subassemblies .....	2.1-4
Use of Jigs, Fixtures and Positioners .....	2.1-4
Assembly .....	2.1-4
Welding Procedures .....	2.1-5
Distortion Control .....	2.1-5
Cleaning and Inspection .....	2.1-5
What the Designer Needs to Know .....	2.1-6
The Design Approach — Part or Whole? ..	2.1-6
Selecting a Basis for Welded Design .....	2.1-6
Designing for Strength and Rigidity .....	2.1-7
Design Formulas .....	2.1-7
Loading .....	2.1-8
Tension .....	2.1-8
Compression .....	2.1-8
Bending .....	2.1-10
Shear .....	2.1-11
Torsion .....	2.1-15
Transfer of Forces .....	2.1-19
Diagonal Bracing .....	2.1-20
The Design Procedure .....	2.1-20
Material Selection .....	2.1-21
Redesign by Equivalent Sections .....	2.1-22
Use of Nomographs in Conversions .....	2.1-25
Designing from Load Conditions .....	2.1-27
Making Use of Experience .....	2.1-28
Evolution of a Welded Design .....	2.1-28
Qualitative vs. Quantitative Methods .....	2.1-29
Importance of Correct Analysis .....	2.1-30
Meeting a Design Problem .....	2.1-31
Importance of Realistic Specifications ..	2.1-31
Ideas from the Shop .....	2.1-31
Potential Sources of Trouble .....	2.1-32

Improper Specifications .....	2.1-32
Mixing of Weld Types .....	2.1-33
Misuse of Diagnostic Tools .....	2.1-33
The Tendency to Overweld .....	2.1-33
Failure to See the Whole Picture .....	2.1-34
The Specification of Intermittent Welds ..	2.1-34
Overworked Members .....	2.1-35
Building in Stress Raisers .....	2.1-35
Inefficient Transfer of Forces .....	2.1-36
Directional Change of Forces .....	2.1-36
Propagating the Cover-Up for an Error ..	2.1-37
Incorrect Identification of the Problem ..	2.1-37
Use of Reinforcements .....	2.1-38
Anticipating Trouble .....	2.1-39
Manufacturing Tolerances .....	2.1-39
Guides to Fabrication .....	2.1-39
Ways to Use Material Efficiently .....	2.1-39
Jigs and Fixtures .....	2.1-43
Use of Forming .....	2.1-43
The Advantages of Subassemblies .....	2.1-43

## SECTION 2.2

## THE DESIGN OF WELDED JOINTS

Fillet-Welded Joints .....	2.2-1
Groove and Fillet Combinations .....	2.2-2
Sizing of Fillets .....	2.2-4
Groove Joints .....	2.2-5
Backup Strips .....	2.2-6
Edge Preparation .....	2.2-6
Joint Preparation After Assembly .....	2.2-7

## SECTION 2.3

## ALLOWABLES FOR WELDS

Allowable Shear and Unit Forces .....	2.3-1
Credit for Submerged-Arc Penetration ..	2.3-2
Minimum Fillet-Weld Size .....	2.3-2
Allowables for Weld Metal —	
A Handy Reference .....	2.3-2
AISC Fatigue Allowables .....	2.3-3

## SECTION 2.4

## CODES AND SPECIFICATIONS

Organizations that Write Codes .....	2.4-1
Applications Covered by Codes .....	2.4-2

## LIST OF SYMBOLS

$\Delta$	deflection (in.)	w	uniformly distributed load (lb/in.)
$\epsilon$	unit strain (in./in.)	A	area (in. <sup>2</sup> )
$\theta$	angular twist (radians; 1 radian = 57.3 degrees)	C	slenderness factor
$\Sigma$	sum	$\mathcal{C}$	center line
$\sigma$	tensile strength or stress; compressive strength or stress (psi)	E	modulus of elasticity in tension (psi)
$\sigma_{sr}$	allowable range of tensile or compressive stress (psi)	$E_s$	modulus of elasticity in shear (psi)
$\tau$	shear strength or stress (psi)	F	total force (lb)
$\tau_{sr}$	allowable range of shear stress (psi)	FS	factor of safety
$\phi$	unit angular twist (radians/in.)	I	moment of inertia (in. <sup>4</sup> )
$\omega$	leg size of fillet weld (in.)	J	polar moment of inertia (in. <sup>4</sup> )
a	acceleration or deceleration	K	any specified constant
c	distance from neutral axis to outer fiber (in.)	L	length of member (in.)
d	density (lb/in. <sup>3</sup> ); distance between centers of gravity of girder flanges (in.)	M	bending moment (in.-lb)
f	unit force (lb/in.)	P	concentrated load (lb)
m	mass (lb)	R	Torsional resistance (in. <sup>4</sup> ); reaction (lb)
n	number of welds	S	section modulus I/c (in. <sup>3</sup> )
r	radius (in.); radius of gyration	T	torque or twisting moment (in.-lb)
t	thickness of section; effective throat (in.)	U	stored energy (in. lbs)
		V	vertical shear load (lb)
		W	total width (in.)

## GREEK SYMBOLS

Alpha	A	$\alpha$	Nu	N	$\nu$
Beta	B	$\beta$	Xi	$\Xi$	$\xi$
Gamma	$\Gamma$	$\gamma$	Omicron	O	$\omicron$
Delta	$\Delta$	$\delta$	Pi	$\Pi$	$\pi$
Epsilon	E	$\epsilon$	Rho	P	$\rho$
Zeta	Z	$\zeta$	Sigma	$\Sigma$	$\sigma$
Eta	H	$\eta$	Tau	T	$\tau$
Theta	$\Theta$	$\theta$	Upsilon	$\Upsilon$	$\upsilon$
Iota	I	$\iota$	Phi	$\Phi$	$\phi$
Kappa	K	$\kappa$	Chi	X	$\chi$
Lambda	$\Lambda$	$\lambda$	Psi	$\Psi$	$\psi$
Mu	M	$\mu$	Omega	$\Omega$	$\omega$



# The Systems Approach To Welded Design

## INTRODUCTION

The engineer who has the responsibility for designing a machine part or structural member as a steel weldment frequently operates under a severe handicap. Although he has a mechanical background and academic training in engineering materials and components, it is unlikely that he has adequate information about the specific factors that enter into welded design. He needs to know how to use steel efficiently, how to build stiffness into a beam, how to design for torsional resistance, what weld joints best suit his purpose, etc. He also needs many other bits of practical information — few of which are taught in engineering schools or found in textbooks.

The art of welded steel design has been evolving gradually, with all the errors that normally accompany an evolutionary process. One of the earlier mistakes in the design of steel weldments — and a mistake repeatedly made by the novice — is the copying of the over-all shape and appearance of the casting a weldment is to replace. Much effort and material can be wasted in the useless attempt to duplicate every flare and offset of the casting. The designer and the management to which he reports should understand that steel weldments are different from castings, and should look different. There is no point in shaping a weldment so that it exhibits the protrusions, the separate legs, brackets and housings, and the frills of the casting. A modern steel weldment is an integrated, functional unit that acquires an appearance of its own.

When the change is made from a casting to a weldment, both appearance and function are usually improved, since welded design involves the more conservative and strategic use of materials. But the motivating force for such a change is usually production cost — the desire to fabricate the machine, part, or structure more economically, thus enabling its

price to meet the competitive demands of the market. Cost, therefore, must be considered at every step in the design, and the designer must think not only about the obvious production costs, but about all the incidentals from the selection of materials and methods of fabrication down to the final inspection of the finished product and preparation for shipment.

The ability of welded design to make possible products of superior function and appearance at reduced costs arises largely from four advances in fabricating and welding techniques. These are:

1. Machine flame-cutting equipment that produces smoothly cut edges, and machines for shearing thicker plate than could formerly be cut.
2. Improved welding electrodes and processes that produce quality welds at high speed.
3. Heavy brakes, which enable the greater use of formed plate, resulting in lower costs, smoother corners, and, because fewer parts are involved, reduced assembly time.
4. Welding positioners which permit more welds to be made in the downhand flat position, resulting in smoother and lower-cost welds.

The use of these advances puts weldments in a favorable light when design changes are considered, whereas, a few decades ago cost restricted the amount of attention weldments received.

## GENERAL CONSIDERATIONS

A weldment design program starts with a recognition of a need. The need may be for improving an existing product or for building an entirely new product, using the most advanced design and fabri-

ation techniques. In any event, many factors must be taken into account before a design is finalized. These considerations involve asking numerous questions and doing considerable research into the various areas of marketing, engineering, and production.

### **Analysis of Present Design**

Insofar as possible, when designing an entirely new machine or structural unit, an attempt should be made to gain information about competitive products whose markets the new product is aimed to capture. If, say, a new machine is to replace an older model, the good points and the deficiencies of the predecessor machine should be understood. The following questions can help in reaching the proper decision:

- What do customers and the sales force say about the older machine?
- What has been its history of failures?
- What features should be retained or added?
- What suggestions for improvements have been made?
- Was the old model overdesigned?

### **Determination of Load Conditions**

The work the machine is intended to do, or the forces that a structural assembly must sustain, and the conditions of service that might cause overload should be ascertained. From such information, the load on individual members can be determined. As a starting point for calculating loading, the designer may find one or more of the following methods useful:

- From the motor horsepower and speed, determine the torque in inch-pounds on a shaft or revolving part.
- Calculate the force in pounds on machine members created by the dead weight of parts.
- Calculate the load on members of a hoist or lift truck back from the load required to tilt the machine.
- Use the maximum strength of critical cables on a shovel or ditch digger that have proved satisfactory in service, to work back to the loads on machine members.
- Consider the force required to shear a critical pin as an indication of maximum loading on the machine.
- If a satisfactory starting point cannot be found,

design for an assumed load and adjust from experience and tests; at least the design will be well proportioned.

### **Major Design Factors**

In developing his design, the designer thinks constantly about how decisions will affect production, manufacturing costs, performance, appearance and customer acceptance. Many factors far removed from engineering considerations per se become major design factors. Some of these are listed below, along with other relevant rules:

The design should satisfy strength and stiffness requirements. Overdesigning is a waste of materials and runs up production and shipping costs.

The safety factor may be unrealistically high as indicated by past experience.

Good appearance has value, but only in areas that are exposed to view. The print could specify the welds that are critical in respect to appearance.

Deep and symmetrical sections resist bending efficiently.

Welding the ends of beams rigid to supports increases strength and stiffness.

The proper use of stiffeners will provide rigidity at minimum weight of material.

Use closed tubular sections or diagonal bracing for torsion resistance. A closed tubular section may be many times better than an open section.

Specify nonpremium grades of steel wherever possible. Higher carbon and alloy steels require preheating, and frequently postheating, which are added cost items.

Use standard rolled sections wherever possible.

Use standard plate and bar sizes for their economy and availability.

Provide maintenance accessibility in the design; do not bury a bearing support or other critical wear point in a closed-box weldment.

Consider the use of standard index tables, way units, heads, and columns.

### **Layout**

To the designer familiar only with castings, the laying out of a weldment for production may seem complex because of the many choices possible. Variety in the possibilities for layout, however, is one of the advantages of welded design; opportuni-

ties for savings are presented. Certain general pointers for effective layout may be set forth:

Design for easy handling of materials and for inexpensive tooling.

Check with the shop for ideas that can contribute to cost savings.

Check the tolerances with the shop. The shop may not be able to hold them, and close tolerances and fits may serve no useful purpose.

Plan the layout to minimize the number of pieces. This will reduce assembly time and the amount of welding.

Lay out parts so as to minimize scrap.

If possible, modify the shape and size of scrap cutouts, so that such material may be used for pads, stiffeners, gear blanks and other parts.

If a standard rolled section is not available or suitable, consider forming the desired section from blanks flame-cut from plate. It is also possible to use long flat bar stock welded together, or to place a special order for a rolled-to-shape section.

In making heavy rings, consider the cutting of nesting segments from plate to eliminate excessive scrap.

### Plate Preparation

Flame cutting, shearing, sawing, punch-press blanking, nibbling, and lathe cutoff are methods for cutting blanks from stock material. The decision relating to method will depend on the equipment available and relative costs. It will be influenced, however, by the quality of the edge for fitup and whether the method also provides a bevel in the case of groove joints. Experience has suggested the following pointers:

Dimensioning of the blank may require stock allowance for subsequent edge preparation.

Not all welds are continuous. This must be borne in mind when proposing to prepare the edge and cut the blank simultaneously.

Select the type of cutting torch that will allow the cut to be made in one pass. For single-bevel or single-V plate preparation, use a single torch; for double-bevel or double-V, a multiple torch.

When a plate planer is available, weld metal costs can be reduced with thick plate by making J or U-groove preparations.

Consider arc gouging, flame gouging, or chipping for back-pass preparations.

### Forming and Special Sections

Forming can greatly reduce the cost of a weldment by eliminating welds and, often, machining operations. Thickness of materials, over-all dimensions, production volume, tolerances, and cost influence the choice of forming methods. The suggestions below should be useful in making decisions:

Create a corner by bending or forming rather than by welding from two pieces.

Roll a ring instead of cutting from plate in order to effect possible savings.

Form round or square tubes or rings instead of buying commercial tubing if savings could be effected.

Put bends in flat plate to increase stiffness.

Use press indentations in plate to act as ribs, instead of using stiffeners to reduce vibration.

Use corrugated sheet for extra stiffness.

The design problem and cost of manufacture may be simplified by incorporating a steel casting or forging into the weldment for a complicated section.

Use a small amount of hardsurfacing alloy applied by welding, rather than using expensive material throughout the section.

### Welded Joint Design

The type of joint should be selected primarily on the basis of load requirements. Once the type is selected, however, variables in design and layout can substantially affect costs. (See Section 2.2.) Generally, the following rules apply:

Select the joint requiring the least amount of weld filler metal.

Where possible, eliminate bevel joints by using automatic submerged-arc welding, which has a deep-penetration arc characteristic.

Use minimum root opening and included angle in order to reduce the amount of filler metal required.

On thick plate, use double-grooves instead of single-groove joints to reduce the amount of weld metal.

Use a single weld where possible to join three parts.

Minimize the convexity of fillet welds; a 45° flat fillet, very slightly convex, is the most economical and reliable shape.

Avoid joints that create extremely deep grooves.

Design the joint for easy accessibility for welding.

### Size and Amount of Weld

Overwelding is a common error of both design and production. Control begins with design, but must be carried throughout the assembly and welding operations. The following are basic guides:

Be sure to use the proper amount of welding — not too much and not too little. Excessive weld size is costly.

Specify that only the needed amount of weld should be deposited. The allowable limits used by the designer include the safety factor.

The leg size of fillet welds is especially important, since the amount of weld required increases as the square of the increase in leg size.

For equivalent strength, longer fillet welds having a smaller leg size are less costly than heavy intermittent welds.

Sometimes, especially under light-load or no-load conditions, cost can be reduced by using intermittent fillet welds in place of a continuous weld of the same leg size.

To derive maximum advantage from automatic welding, it may be better to convert several short welds into one continuous weld.

Place the weld in the section with the least thickness, and determine the weld size according to the thinner plate.

Place the weld on the shortest seam. If there is a cutout section, place the welded seam at the cutout in order to save on the length of welding. On the other hand, in automatic welding it may be better to place the joint away from the cutout area to permit the making of one continuous weld.

Stiffeners or diaphragms do not need much welding; reduce the weld leg size or length of weld if possible.

Keeping the amount of welding to a minimum reduces distortion and internal stress and, therefore, the need and cost for stress relieving and straightening.

### Use of Subassemblies

In visualizing assembly procedures, the designer should break the weldment down into subassemblies in several ways to determine which will offer cost

savings. The following are points to note:

Subassemblies spread the work out; more men can work on the job simultaneously.

Usually, subassemblies provide better access for welding.

The possibility of distortion or residual stresses in the finished weldment is reduced when the weldment is built from subassemblies.

Machining to close tolerances before welding into the final assembly is permitted. If necessary, stress relief of certain sections can be performed before welding into the final assembly.

Leak testing of compartments or chambers and painting before welding into the final assembly are permitted.

In-process inspection (before the job has progressed too far to rectify errors) is facilitated.

### Use of Jigs, Fixtures, and Positioners

Jigs, fixtures, and welding positioners should be used to decrease fabrication time. In planning assemblies and subassemblies, the designer should decide if the jig is simply to aid in assembly and tacking or whether the entire welding operation is to be done in the jig. The considerations listed below are significant:

The jig must provide the rigidity necessary to hold the dimensions of the weldment.

Tooling must provide easy locating points and be easy to load and unload.

Camber can be built into the tool for control of distortion.

The operating factor can be increased by using two jigs, so that a helper can load one while the work in the other is being welded.

Welding positioners maximize the amount of welding in the flat downhand position, allowing use of larger electrodes and automatic welding.

### Assembly

The assembly operations affect the quality of the welds and fabrication costs. Even though the designer may not have control of all the factors entering into good assembly procedures, he should be aware of the following:

Clean work — parts free from oil, rust, and dirt — reduces trouble.

Poor fitup can be costly.

A joint can be preset or prebent to offset expected distortion.

Strongbacks are valuable for holding materials in alignment.

When possible, it is desirable to break the weldment into natural sections, so that the welding of each can be balanced about its own neutral axis.

Welding the more flexible sections first facilitates any straightening that might be required before final assembly.

### Welding Procedures

Although the designer may have little control of welding procedures, he is concerned with what goes on in the shop. Adherence to the following guidelines will help to effect the success of the weldment design:

Welding helpers and good fixtures and handling equipment improve the operating factor.

Backup bars increase the speed of welding on the first pass when groove joints are being welded.

The use of low-hydrogen electrodes eliminates or reduces preheat requirements.

The welding machine and cable should be large enough for the job.

The electrode holder should permit the use of high welding currents without overheating.

Weld in the flat downhand position whenever possible.

Weld sheet metal 45° downhill.

If plates are not too thick, consider the possibility of welding from one side only.

With automatic welding, position fillets so as to obtain maximum penetration into the root of the joint: flat plate, 30° from horizontal; vertical plate, 60° from horizontal.

Most reinforcements of a weld are unnecessary for a full-strength joint.

Use a procedure that eliminates arc blow.

Use optimum welding current and speed for best welding performance. If appearance is not critical and no distortion is being experienced, usual speed frequently can be exceeded.

Use the recommended current and polarity.

Consider the use of straight polarity (electrode negative) or long stickout with automatic

welding to increase melt-off rate.

On small fillet welds, a small-diameter electrode may deposit the weld faster by not overwelding.

### Distortion Control

Distortion is affected by many factors of design and shop practice. Some points on shop procedures to control distortion of which the designer should be aware include:

High-deposition electrodes, automatic welding, and high welding currents tend to reduce the possibility of distortion.

The least amount of weld metal, deposited with as few passes as possible, is desirable.

Welding should progress toward the unrestrained portion of the member, but backstepping may be practical as welding progresses.

Welds should be balanced about the neutral axis of the member.

On multipass double-V joints, it may be advisable to weld alternately on both sides of the plate.

Avoid excessive prestressing members by forcing alignment to get better fitup of the parts.

Joints that may have the greatest contraction on cooling should be welded first.

### Cleaning and Inspection

The designer, by his specifications, has some effect on cleaning and inspection costs. He also should recognize the following shop practices that affect these costs:

Industry now accepts as-welded joints that have uniform appearance as finished; therefore, do not grind the surface of the weld smooth or flush unless required for another reason. This is a very costly operation and usually exceeds the cost of welding.

Cleaning time may be reduced by use of iron-powder electrodes and automatic welding, which minimize spatter and roughness of surface.

Spatter films can be applied to the joint to reduce spatter sticking to the plate. Some electrodes and processes produce little or no spatter.

Sometimes a slightly reduced welding speed or a lower welding current will minimize weld faults. Lower repair costs may result in lower over-all costs.

Overzealous inspection can run up welding costs; it is possible to be unreasonably strict with inspection.

Inspection should check for overwelding, which can be costly, and can also contribute to distortion.

### **WHAT THE DESIGNER NEEDS TO KNOW**

The engineer often becomes interested in welded design after he has been introduced to it by an isolated instance, such as the use of a steel weldment to solve an unusual vibration or shock-loading problem. The occasion starts him thinking more fully about the exploitation of welded steel. Perhaps, he recognizes that the performance of any member of a structure is dependent on just two basic factors — the properties of its material and the properties of its section. If a design is based on the efficient use of these properties, the weldment is certain to be functionally good and conservative of materials.

When assigned to design a welded steel member, however, the engineer faces many questions. He needs to know how to select the most efficient section; how to determine its dimensions; whether to use stiffeners and, if so, how to size and place them.

Working empirically from past experience was once thought to be the practical approach to welded steel design. This practice turned out to be self-defeating. Guesses and rule-of-thumb methods for selecting configurations and sections almost invariably resulted in excessively heavy designs and excessive costs for materials and fabrication. Not until such "practical" approaches were discarded and fabricators began to use designs based on mathematical calculation did the advantages of weldments come to the fore. Engineers then began to achieve truly efficient use of the properties of steel.

The mathematical formulas for calculating forces and their effects on sections, and for determining the sections needed for resisting such forces, appear quite forbidding to the novice. By proper approach, however, it is possible to simplify design analysis and the use of these formulas. In fact, it is often possible to make correct design decisions merely by examining one or two factors in an equation, without making tedious calculations. On the whole, the mathematics of weld design is no more complex than in other engineering fields; it simply has not reached a comparable degree of formalization and use.

### **The Design Approach — Part or Whole?**

Considerations other than the engineer's wishes may prevail when, say, a machine is to be converted from cast to welded design. Management may favor the redesign of a part or two as a weldment, and conversion over a period of years to an all-welded product. Gradual conversion prevents the abrupt obsolescence of facilities and skills and eases the requirement for new equipment. Capital and personnel considerations often dictate that a company go slow when changing to welded design. Supplementing these considerations is the need to maintain a smooth production flow and to test the production and market value of the conversion as it is made step by step. When the engineer can redesign a part to improve the existing machine or yield production economies, he is doing his company a service even though he may feel frustrated by the slowness of the conversion.

From the standpoints of performance and ultimate production economies, redesign of the machine as a whole is preferable. The designer is unrestricted by the previous design, and in many cases is able to reduce the number of pieces, the amount of material used, and the labor for assembly. A better, lower-cost product is realized immediately, and the company is in a position to benefit more fully from welded design technology. The benefits almost always include greater market appeal for the product.

### **Selecting a Basis for Welded Design**

The redesign may be based on the previous design or on loading considerations solely.

Following a previous design has the advantage of offering a "safe" starting point; the old design is known to perform satisfactorily. Starting from the old design, however, stifles creative thinking toward developing an entirely new concept to solve the basic problem. Little demand is made on the intelligence or ingenuity of the designer when he models his welded steel design on the previous cast-product. Tables of equivalent sections or nomographs can be used to determine the dimensions for strength and rigidity.

A design based on the loading, however, puts the engineer on his mettle. He starts without preconceived notions. It is up to him to analyze what is wanted and come up with a configuration and selection of materials that best satisfy the need. He must know or determine the value and type of load, and it will be necessary for him to decide on a value for stress allowable in a strength design, or deflection

allowable in a rigidity design. Formulas will be required for calculating both strength and rigidity.

**DESIGNING FOR STRENGTH AND RIGIDITY**

A design may require "strength only" or "strength plus rigidity." All designs must have sufficient strengths so the members will not fail by breaking or yielding when subjected to usual operating loads or reasonable overloads. Strength designs are common in road machinery, farm implements, motor brackets, and various types of structures. If a weldment design is based on calculated loading, design formulas for strength are used to dimension the members.

In certain weldments such as machine tools, rigidity as well as strength is important, since excessive deflection under load would ruin the precision of the product. A design based on loading also requires the use of design formulas for sizing members.

Some parts of a weldment are classed "no load," meaning that they serve their design function without being subjected to loadings much greater than their own weight. Typical no-load members are fenders, dust shields, safety guards, cover plates for access holes, enclosures for esthetic purposes, etc. Only casual attention to strength and rigidity is required in their sizing.

**Design Formulas**

The design formulas for strength and rigidity always contain terms describing load, member, and stress and strain. If any two of these terms are known, the third can be calculated. All problems of design thus resolve into one of the following:

1. Finding the internal stress or strain caused by an external load on a given member.
2. Finding the external load that may be placed on a given member for any allowable stress or strain.
3. Selecting a member to carry a given load within a given allowable stress or strain.

A load is a force that stresses a member. The result is a strain measured as elongation, contraction, deflection, or angular twist. A useful member must be designed to carry a certain type of load within a certain allowable stress or strain. In designing within the allowable limits, the designer should select the most efficient material and the most efficient section size and shape. The properties of the material and those of the section determine the

ability of a member to carry a given load.

The design formulas in use, developed for various conditions and member types, are much too numerous for inclusion here. In the following sections, however, some are used to illustrate specific design problems. Reference material containing formulas applicable to problems encountered may be found in the Suggested Readings at the end of this section. Table 2-1 summarizes the components of design formulas. It should be noted that these components are terms that describe the three basic factors — load, member, and stress and strain. The symbols for values and properties normally used in design formulas are given in the table and in the list of symbols preceding this section.

**TABLE 2-1. COMPONENTS OF DESIGN FORMULAS**

Load		
Application	Type	Value
steady	tension	force, lb
impact	compression	moment, in.-lb
fatigue (repeated cyclic variable)	bending	torque, in.-lb
	shear	
	torsion	
Member		
Property of material		Property of section
tensile strength, $\sigma$		area, A
compressive strength, $\sigma$		length, L
shear strength, $\tau$		moment of inertia, I (stiffness factor in bending)
fatigue strength		section modulus, S (strength factor in bending)
modulus of elasticity (tension), E		torsional resistance, R (stiffness factor in twisting)
modulus of elasticity (shear), $E_s$		radius of gyration, r
Stress and strain		
Stress		Strain
tensile stress, $\sigma$		resulting deformation, elongation or contraction, $\epsilon$ vertical deflection, $\Delta$ angular twist, $\theta$
compressive stress, $\sigma$		
shear stress, $\tau$		

The use of design formulas may be illustrated by the problem of obtaining adequate stiffness in a cantilever beam. The problem obviously involves the amount of deflection at the end of the beam under a concentrated load (Fig. 2-1). The following deflection formula may be used:

$$\Delta = \frac{FL^3}{3EI}$$

where F is the given load (force) that would cause deflection,  $\Delta$ , and L is the given length of the beam. The "member" terms are E, the modulus of elasticity — a property of the material — and I, the moment of inertia — a property of member cross-section.

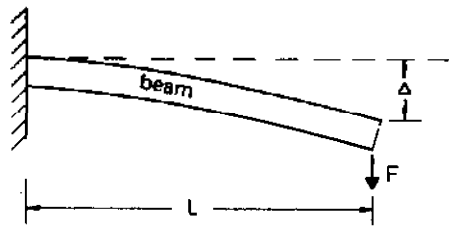


Fig. 2-1. Deflection ( $\Delta$ ) of a cantilever beam under a concentrated load ( $F$ ).

Since it is desirable to have the least amount of deflection, the equation makes clear that  $E$  and  $I$  should be as large as possible. The commercial material having the highest modulus of elasticity is steel, with a value of  $30 \times 10^6$  psi for  $E$ . The material thus picked, the only other factor requiring a decision relative to deflection is  $I$ , the moment of inertia. This, too, is a "member" factor — a property of section. Desirable, then, is a cross section having a moment of inertia large enough to hold  $\Delta$  to a permissibly small value. If the designer chooses a section with adequate moment of inertia, he will have satisfied the deflection requirement, whatever the shape of the section.

It should be noted, however, that the designer's task does not end with discovery that steel is the best material and that a large moment of inertia with steel is the key to minimizing deflection. He must decide what shape to use for the best design at lowest cost. Could a standard rolled section be used? Should it be a box section? What are the fabrication costs of sections with the largest moments of inertia? Will the design have sufficient horizontal stability?

### Loading

As indicated in Table 2-1, there are five basic types of loads — tension, compression, bending, shear, and torsion. Whatever the type of load, when it is applied to a member, the member becomes stressed. The stresses cause strains, or movements, within the member, the extents of which are governed by the modulus of elasticity of the material. The modulus,  $E$ , is defined as the ratio of stress to strain and is a constant value within the elastic limit, which for practical purposes may be regarded as the same as the yield point. Since a load always produces stress and strain, some movement always occurs.

### Tension Loading

Tension is the simplest type of loading. It subjects the member to tensile stresses. Figure 2-2

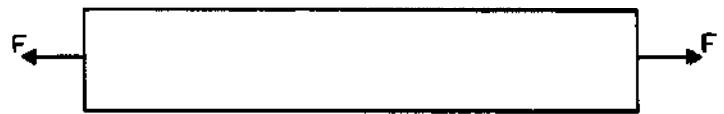


Fig. 2-2. Bar under simple axial tension.

shows a bar under simple axial tension. Here, there is no tendency for the bar to bend. If the force should be applied to a curved or deformed bar as in Fig. 2-3(a), a moment arm would result. The same condition exists when an eccentric load is applied to a straight bar. The axial tensile stress causes axial strains that tend to make the member elongate. The secondary bending stress causes strains that tend to make the member bend, but, in the case of a tensile force, the bending is in a direction that tends to reduce the initial eccentricity, as in Fig. 2-3(c). Thus, the bending moment tends to reduce itself,

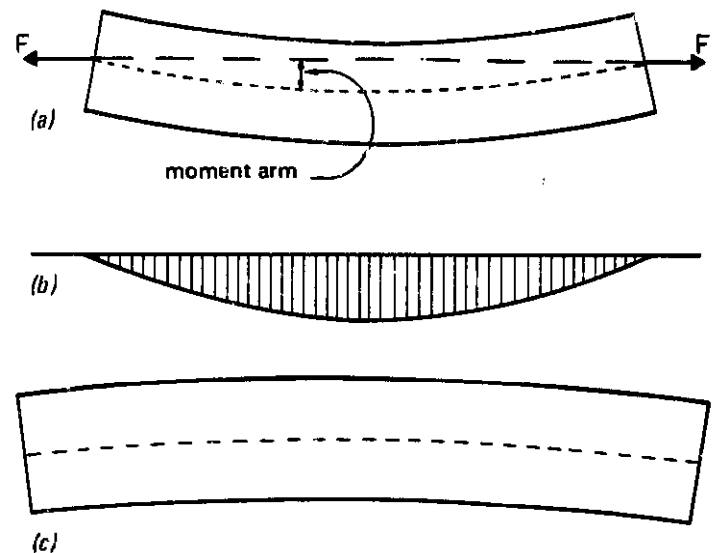


Fig. 2-3. (a) Tensile forces applied on a curved bar result in bending moment diagram as shown in (b). (c) bending moments tend to cause bar to move in the direction shown, thus reducing curvature. (Illustration exaggerates movement).

resulting in a stable condition. There is no danger of a tensile member buckling. Any shape, therefore, can suffice for tensile members. The only requirement is adequacy in the cross-sectional area,  $A$ .

### Compression Loading

A compression force, however, requires designing against buckling. Very few compression members fail by crushing, or exceeding their ultimate compressive strength. If a compression member, such as the column in Fig. 2-4(a), is loaded through its center of gravity, the resulting stresses are simple axial compressive stresses. Because of its slenderness



(usually measured by the ratio of its unsupported length to its least radius of gyration), the column will start to move laterally at a stress lower than its yield strength. This movement is shown in Fig. 2-4(b). As a result of this lateral movement, the

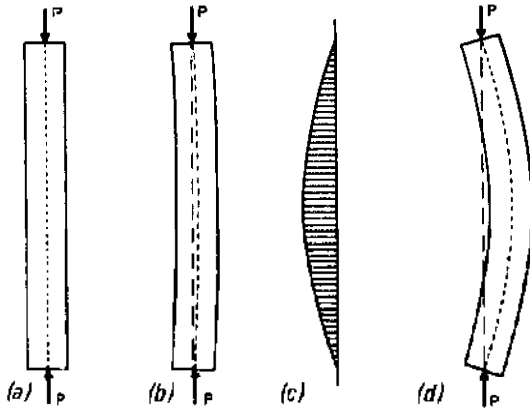


Fig. 2-4. (a) Straight column with concentric load; (b) with increased loading, column tends to move laterally; (c) bending moment diagram as a result of lateral movement; (d) additional buckling as a result of bending moment.

central portion of the column is then eccentric with the axis of the force, so that a moment arm develops. This causes a bending moment — Fig. 2-4(c) — on the central portion of the column, with resulting bending stresses. The bending stresses cause bending strains, and, as seen in Fig. 2-4(d), these strains cause the column to buckle more. This in turn creates additional eccentricity, a greater moment arm, more moment and still further lateral movement. Finally a point of no return is reached, and the column fails.

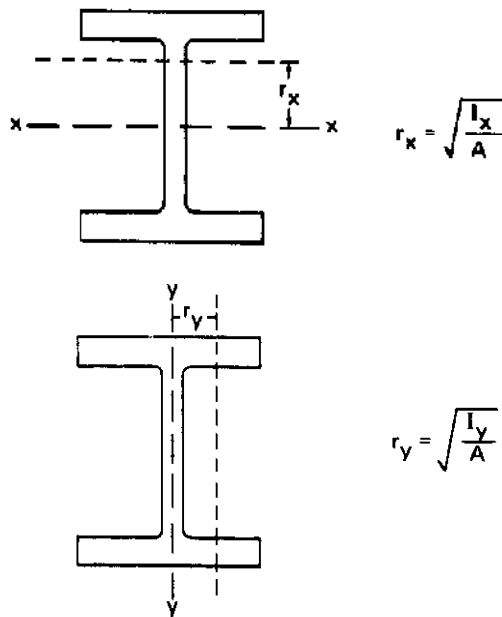


Fig. 2-5. Radius of gyration about the x-x and y-y axes of a column.

Two properties of a column section — area,  $A$ , and radius of gyration,  $r$  — are important to compressive strength. Area is important because it must be multiplied by the allowable compressive stress to arrive at the compressive load that can be carried. The radius of gyration is important because it indicates to a certain extent the ability of the section to resist buckling. The radius of gyration is the distance from the neutral axis of the section to an imaginary line (Fig. 2-5) in the cross section about which the entire section could be concentrated and still have the same moment of inertia that the section has. Since the worst condition is of concern in design work, it is necessary to use the least radius of gyration.

Thus, since  $r = \sqrt{\frac{I}{A}}$ , it is necessary to use the smaller of the two moments of inertia about the x-x and y-y axes to get radius of gyration used in the slenderness ratio.

TABLE 2-2. ALLOWABLE COMPRESSIVE STRESS (AISC)

Range of $\frac{L}{r}$ Values	Average Allowable Compressive Unit Stress ( $\sigma$ )
0 to $C_c$	$\sigma = \left[ 1 - \frac{\left(\frac{KL}{r}\right)^2}{2C_c^2} \right] \frac{\sigma_y}{FS}$
$C_c$ to 200	$\sigma = \frac{149 \times 10^6}{\left(\frac{KL}{r}\right)^2}$
where:	
$C_c = \sqrt{\frac{2\pi^2 E}{\sigma_y}}$ and $FS = \frac{5}{3} + \frac{3\left(\frac{KL}{r}\right)}{8C_c} - \frac{\left(\frac{KL}{r}\right)^3}{8C_c^3}$	

- For very short columns this provides a factor of safety of 1.67; for longer columns this gradually increases (by 15.0% max) up to 1.92 (Formulas developed earlier were based on a uniform 1.8 factor of safety.)
- FS = factor of safety;  $\sigma_y$  = yield strength; K = effective length factor.

The design of a compression member or column is by trial and error. A trial section is sketched and its area,  $A$ , and the least radius of gyration,  $r$ , are determined. A suitable column table will give the allowable compressive stress for the particular slenderness ratio  $\left(\frac{L}{r}\right)$ . This allowable stress is then multiplied by the area,  $A$ , to give the allowable total compressive load that may be placed on the column. If this value is less than that to be applied, the design must be changed to a larger section and tried again. Table 2-2 gives the American Institute of

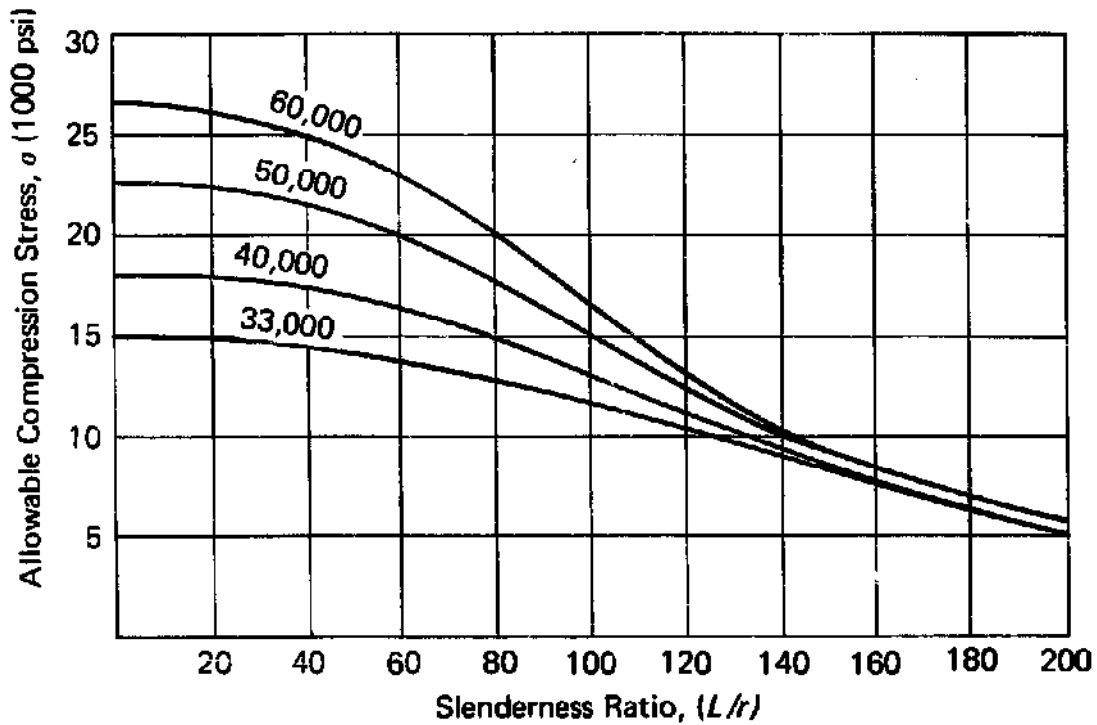


Fig. 2-6

Steel Construction column formulas, and Fig. 2-6 gives allowable compressive stresses with various

slenderness ratios,  $\frac{L}{r}$ .

**Bending Loading**

Figure 2-7 illustrates bending. When a member is loaded in bending, it is assumed that the bending stresses are zero along the neutral axis and increase

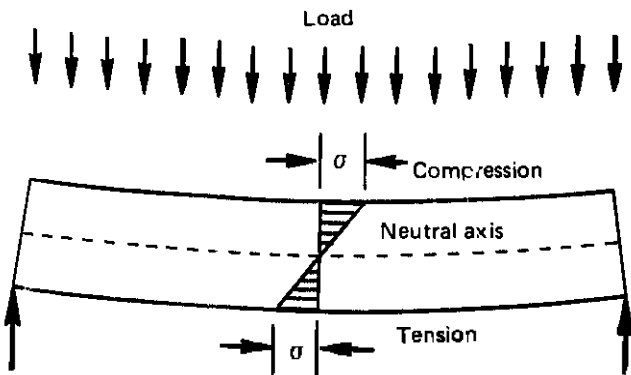


Fig. 2-7. Bending of a beam with uniform loading.

linearly, reaching a maximum value at the outer fibers. For a straight beam, the neutral axis is the same as the center of gravity. On one side of the neutral axis, tensile stresses are present; on the other side, there are compressive stresses. These stresses at a given cross section are caused by the bending moment at that particular section. The bending

stress at any point in the cross section of a straight beam (Fig. 2-8) may be found by the formula:

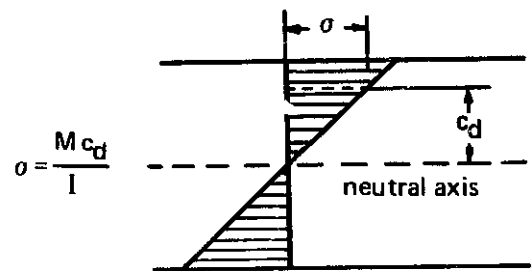


Fig. 2-8. Bending stress at any point (c) in the cross section of a straight beam may be readily calculated.

where M is the moment at that point and  $c_d$  is the distance from the neutral axis to the point in question.

In most cases, the maximum bending stress (Fig. 2-9) is of greater interest, in which case the formula becomes:

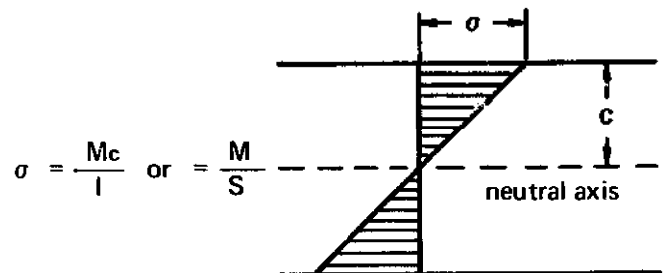


Fig. 2-9. Maximum bending stress in the outside fibers (c) of a beam is of greater interest.

where  $C$  is the distance from the neutral axis to the outer fiber and  $S$  is section modulus.

As the bending moment decreases along the length of the beam toward its end, the bending stresses in the beam also decrease. This means the bending force in the flange is decreasing as the end of the beam is approached. If a short length of the tension flange within the beam is considered, as shown enlarged in the inset above the beam in Fig. 2-10, a difference in the tensile forces at the two ends is found to exist.

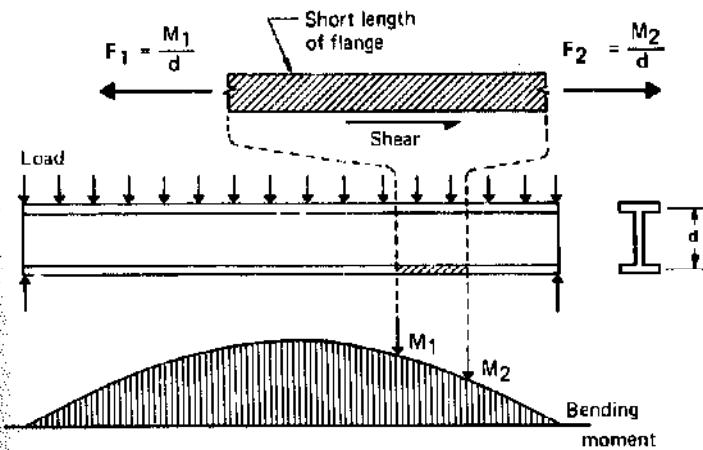


Fig. 2-10. Tensile forces existing in the flange of a beam under load.

How can a tensile force at one end of a plate be different from that at the other end? The answer is that some of the tensile force has transferred out sideways as shear. This means that, whatever the decrease in the tensile force in the flange, there is a corresponding shear force between the flange and the web through the fillet welds joining the two together. The same thing happens on the upper flange, which is in compression. The decrease in tensile force in the lower flange transfers out as shear up through the web to the other flange and makes up for the decrease in compression in this flange.

**Shear Loading**

Figure 2-11 illustrates the shear forces in the web of a beam under load. They are both horizontal and vertical and create diagonal tension and diagonal compression. Tension is not a problem, since there is little chance of the tensile stress reaching a value high enough to cause failure. If the diagonal compression reaches a high enough value, however, the web could buckle. For this reason, structural codes

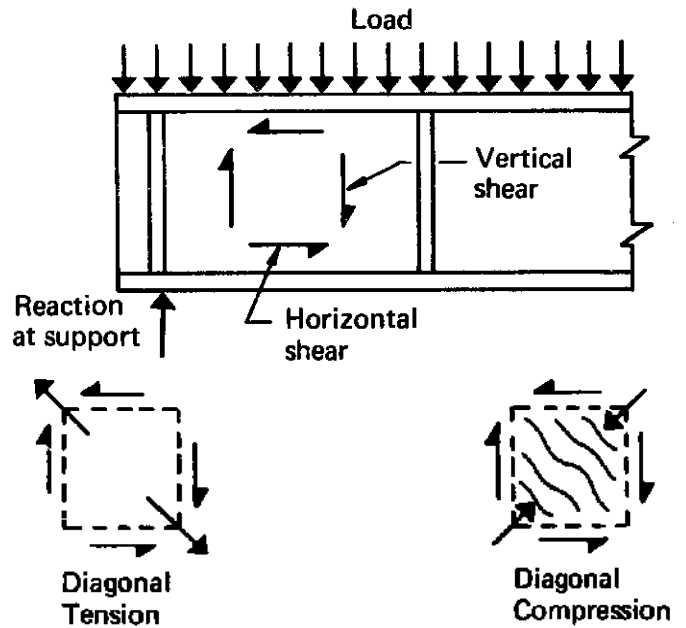


Fig. 2-11. Shear forces in the web of a beam under load.

limit the shear stress in the web of a beam; there is a possibility of the web buckling, especially if it is very deep or very thin.

The unit shear force on the fillet welds joining the flanges of the beam (Fig. 2-12) to the web can be calculated from the formula:

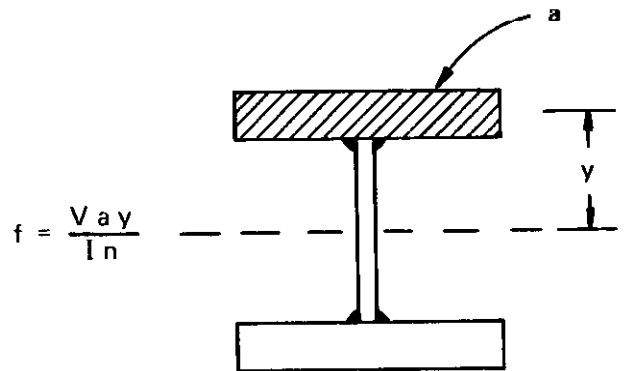


Fig. 2-12. Shear force on the fillet welds connecting the flanges of a beam to the web may be calculated by the formula for (f).

where

- $V$  = external shear force on the member at this cross section
- $a$  = area held by the connecting welds
- $y$  = distance between the center of gravity of the area held by the welds and the neutral axis of the whole section
- $I$  = moment of inertia of the whole section about the neutral axis
- $n$  = number of welds used to hold this area.

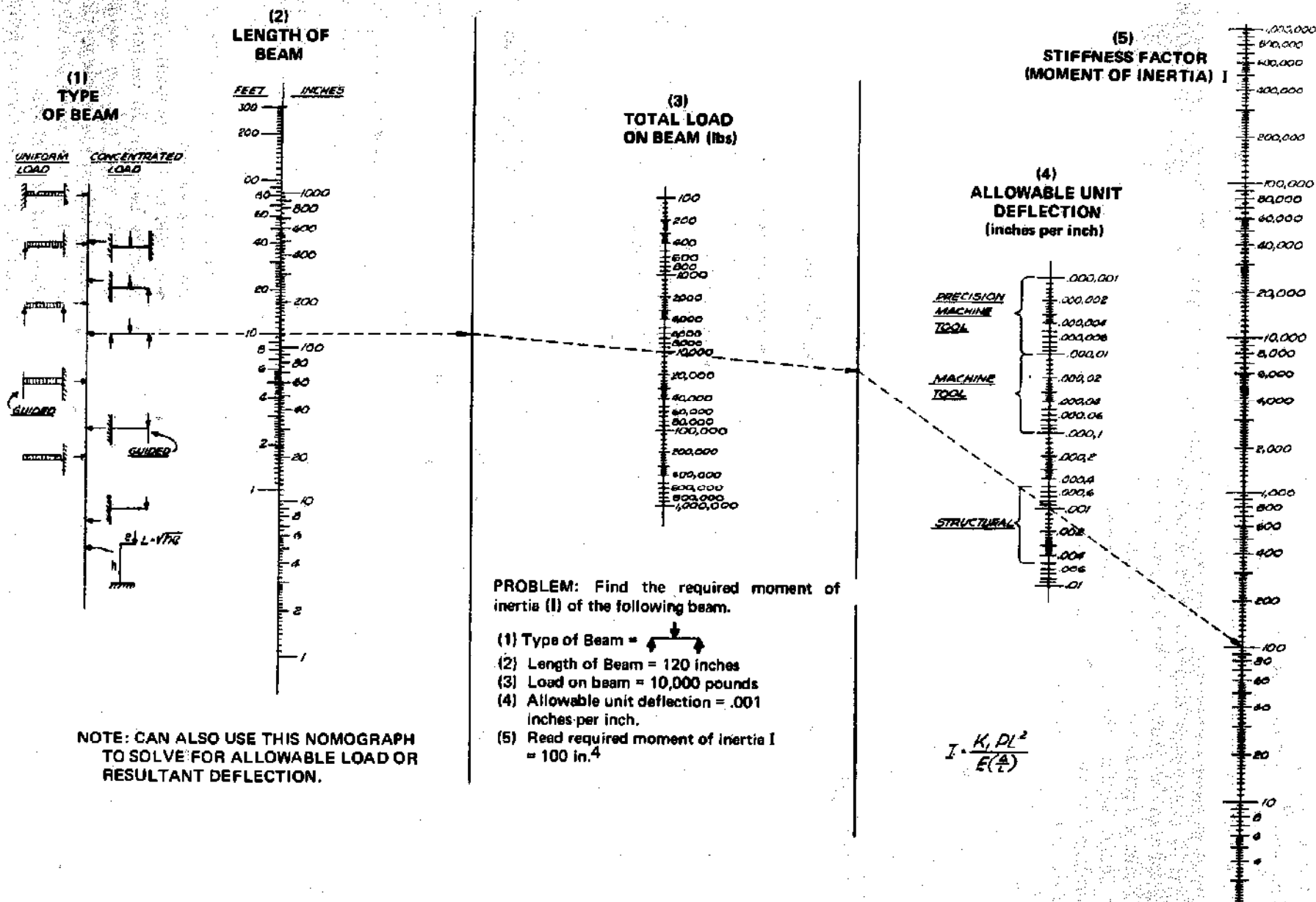
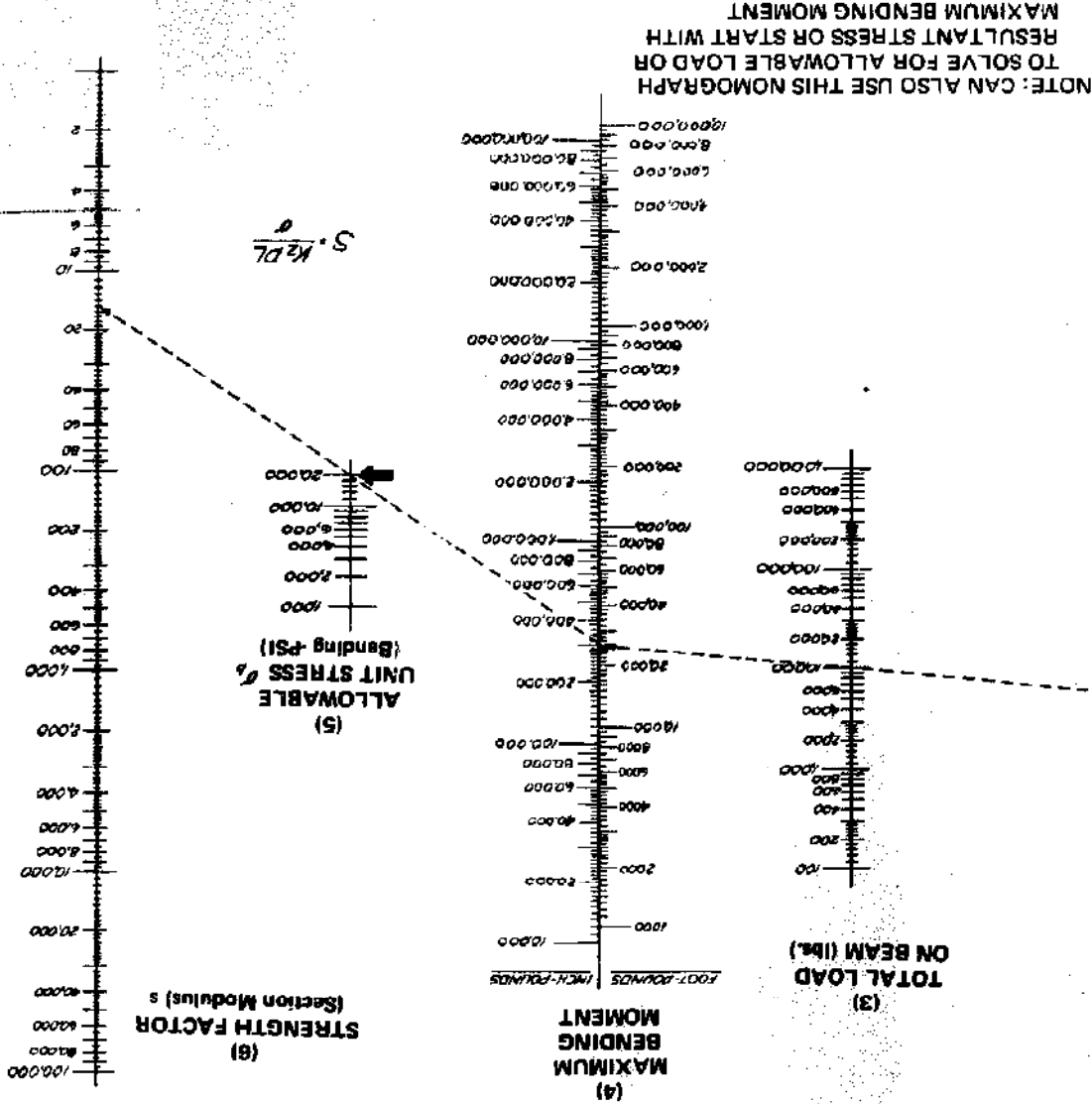
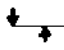


Fig. 2-13 Required moment of inertia of beam under bending load (stiffness nomograph).



PROBLEM: Find the required section modulus of the following beam.

(1) Type of Beam = 

(2) Length of Beam = 120 inches

(3) Load on Beam = 10,000 pounds

(5) Allowable Stress = 20,000 psi

(6) Read required section modulus  $S = 15, \text{ in.}^3$

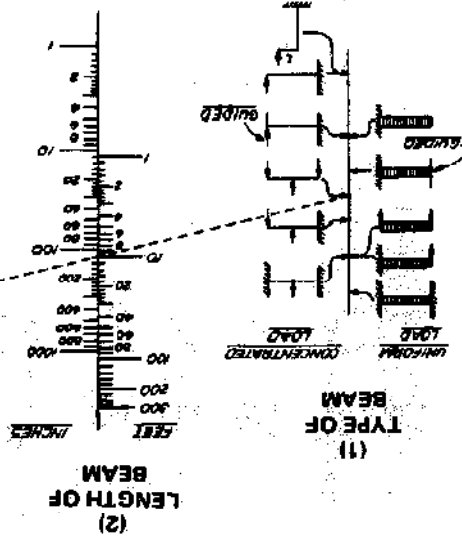
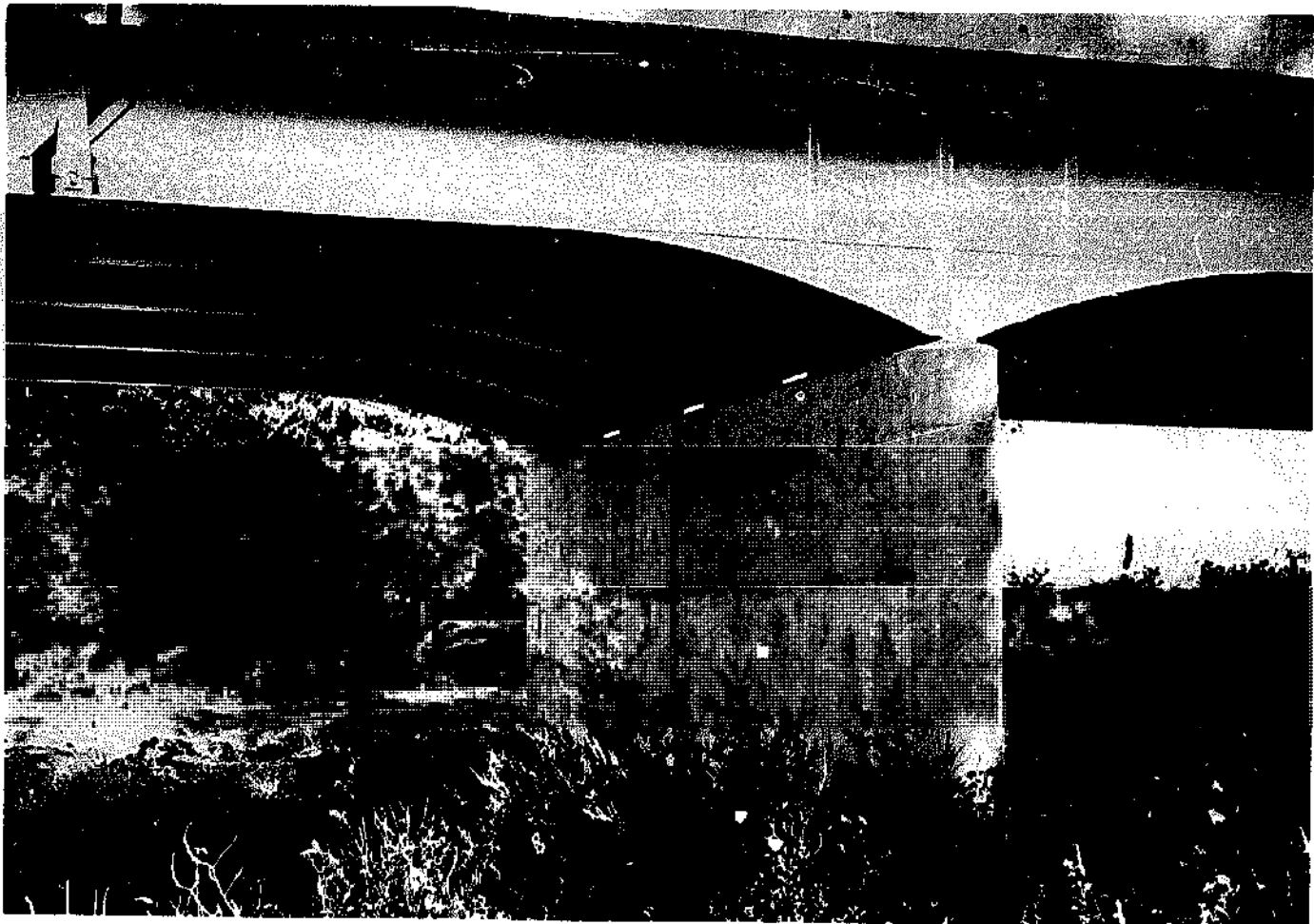
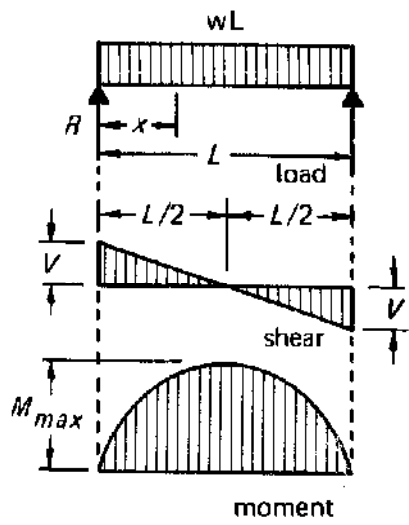


Fig. 2-14. Required section modulus of beam under bending load (strength nomograph).



Bridge girder design with a hinged connection.



$$R = V = \frac{wL}{2}$$

$$V_x = w \left( \frac{L}{2} - x \right)$$

At center,  $M_{max} = \frac{wL^2}{8}$

$$M_x = \frac{wx}{2} (L - x)$$

At center,  $\Delta_{max} = \frac{5wL^4}{384EI}$

$$\Delta_x = \frac{wx}{24EI} (L^3 - 2Lx^2 + x^3)$$

At ends,  $\theta = \frac{wL^3}{24EI}$

Fig. 2-15. Typical beam problem, solvable with nomographs in Figures 2-13 and 2-14.



This welded steel machine base was designed to replace a cast iron base.

A common bending problem in machinery design involves the deflection of beams. Beam formulas found in many engineering books and nomographs, such as those shown as Figs. 2-13 and 2-14, are useful for quick approximations of the deflection with common types of beams and loads. An example of a typical beam problem, along with applicable formulas, is shown as Fig. 2-15.

To satisfy strength and stiffness requirements, beams should be deep. What was said about a compression member or column can also be said about the compression flange of a beam. It is important that its shape be such that it will not buckle easily; it should not be too wide and too thin. It should have proper lateral or horizontal support, and the compressive bending stresses must be held within allowable values. It has been found, in testing, that a beam initially fails because the compression flange rotates, thus causing the web to which it is attached to bend outward also and start to buckle, as sketched in Fig. 2-16. Fortunately, most beams have

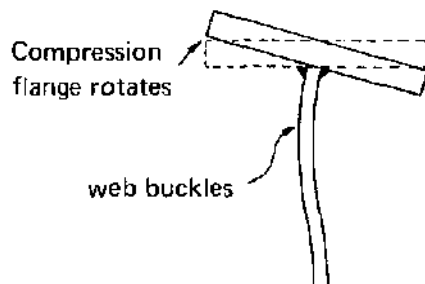


Fig. 2-16. Mode of initial failure of beam in compression flange.

stabilizing members such as crossbeams or flooring, attached to them, and these provide lateral support against buckling. The lower flange, which is not supported, is usually in tension and thus not a source of buckling problems.

#### *Torsional Loading*

Torsion — the fifth type of loading — creates problems in the design of bases and frames. A machine with a rotating unit subjects its base to torsional loading. This becomes apparent by the lifting of one corner of the base when the base is not bolted down.

If torsion is a problem, closed tubular sections, as in Fig. 2-17, or diagonal bracing should be used. Closed tubular sections can easily be made from existing open channel or I sections by intermittently welding flat plate to the toes of the rolled sections,

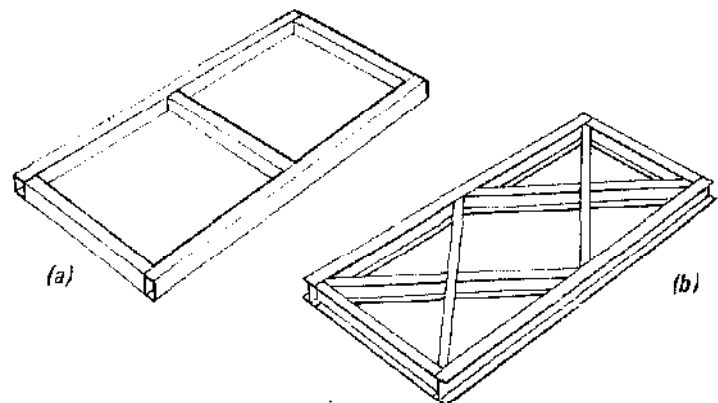


Fig. 2-17. (a) Use of closed box sections to resist torsion; (b) use of diagonal bracing to resist torsion.

thus closing them in. This will increase the torsional resistance several hundred times. An existing frame may be stiffened for torsion by welding in cross bracing at 45° to the axis of the frame. This also increases the torsional resistance by several hundred times.

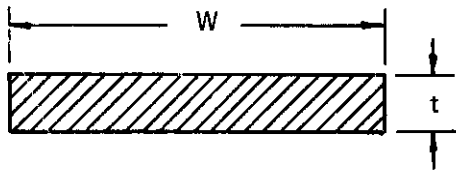


Fig. 2-18. Cross-sectional dimensions of flat section whose torsional resistance,  $R$ , is to be determined.

The torsional resistance of an open section is very poor. The torsional resistance of a built-up section is approximately equal to the sum of the torsional resistances of the individual flat parts that make up the member. The torsional resistance of a flat section, as shown in Fig. 2-18, may be approximated by the formula:

$$R = \frac{Wt^3}{3}$$

where

- $R$  = torsional resistance
- $W$  = width of the flat section
- $t$  = thickness of the flat section

all loadings identical	$t = .055$	$t = .055$
	Conventional method $J$ polar moment of inertia	.065°
Method using $R$ Torsional Resistance	21.8°	7.3°
Actual twist	22°	9.5°

Table 2-3 shows the results of twisting a flat section, as well as a small I-beam made of three identical plates. Calculated values of twist by using the conventional polar moment of inertia,  $J$ , and torsional resistance,  $R$ , are compared with the actual results. This shows the greater accuracy obtained by

using the much simpler method — calculating with torsional resistance,  $R$ .

No appreciable gain in torsional resistance beyond that of the sum of the resistances of individual members occurs until the section is closed. When a flat piece of 16-gage steel was tested for torsional resistance under a given load, it twisted 9 degrees. When formed into a channel, it twisted 9-1/2 degrees; and when a similar piece was rolled into an open-seam tube, the measured twist was 11 degrees. Closed sections made from the same width of material gave, however, torsional resistances from 50 to 100 times as much.

	$t = .060$	$t = .060$	$t = .060$	$t = .060$	$t = .060$
all loadings identical					
Conventional method $J$ polar moment of inertia	.01°	.006°	.04°	.04°	.045°
Method using $R$ Torsional Resistance	9.5°	9.7°	10°	.04°	.06°
Actual twist	9°	9.5°	11°	too small to measure	too small to measure

Table 2-4 shows the calculated values of twist by using the conventional polar moment of inertia,  $J$ , as well as the torsional resistance,  $R$ . The actual values are also shown. Again, this shows the greater accuracy obtainable by using the torsional resistance,  $R$ .

The torsional resistance of a frame whose lengthwise members are two channels (Fig. 2-19) would be

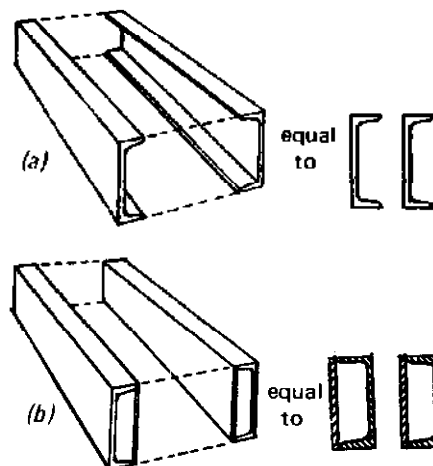


Fig. 2-19. Frames made of two channels (a) or two box sections (b) show greatly increased torsional resistance.



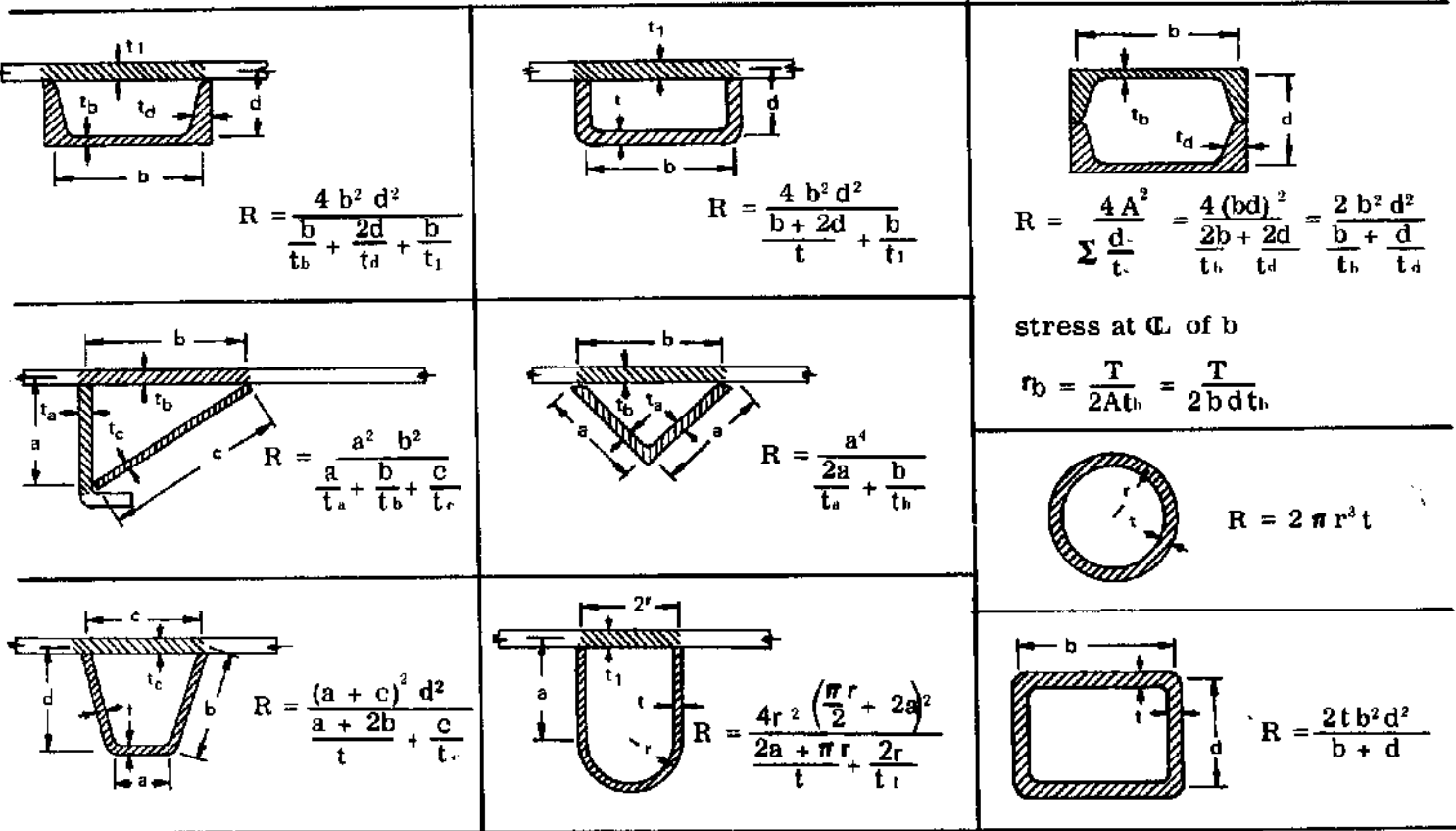


Fig. 2-20. Torsional properties, R, of closed tubular sections.

approximately equal to twice the torsional resistance of each channel section. For the purpose of this example, the distance between these side members is considered to have no effect. Since the closed section is best for resisting twisting, the torsional resistance of a frame can be greatly increased by making the channels into rectangular box sections through the addition of plates.

Once the torsional resistance of an open section has been found, the angular twist may be calculated by the formula:

$$\theta = \frac{TL}{E_s R}$$

where  $E_s$  equals modulus of elasticity in shear. This formula would also be used for a round shaft.

In the formula for angular twist, in the following formulas, and in Fig. 2-20, the following terms are used:

- A = area enclosed within mean dimensions (dotted line) (in.<sup>2</sup>)
- $d_s$  = length of particular segment of section (in.)
- $t_s$  = corresponding thickness of section ( $d_s$ ) (in.)

- $\tau_s$  = shear stress at point (s) (psi)
- R = torsional resistance, (in.<sup>4</sup>)
- T = torque (in.-lb)
- $E_s$  = modulus of elasticity in shear (steel = 12,000,000 psi)
- $\theta$  = total angular twist (radians)
- $\phi$  = unit angular twist (radians/in.)
- L = length of member (in.)
- a, b & d = mean dimensions of section (in.)
- r = radius of section (in.)

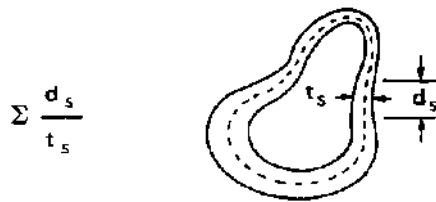
Each part of an open section will twist the same angle as the whole member. The unit angular twist,  $\phi$ , is equal to the total angular twist divided by the length of the member.

$$\phi = \frac{\theta}{L}$$

Knowing the unit angular twist, it is possible with the following formulas to find the resulting shear stress on the surface of the part.

$$\tau = \phi t E_s = \frac{Tt}{R}$$

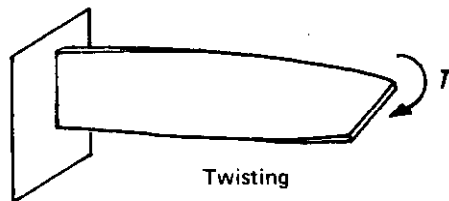
The torsional resistance of any closed tubular shape (Fig. 2-21) can be determined by drawing a



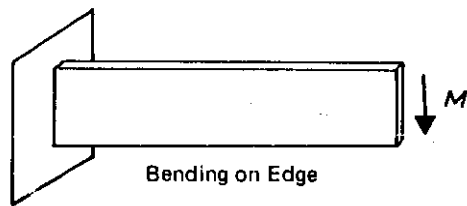
**Fig. 2-21.** Torsional resistance of any closed tubular section can be calculated by determining mean dimensions and dividing the section into convenient lengths.

dotted line through the midthickness all the way around the section. The area enclosed by the dotted line, or mean dimension, is  $A$ . Divide this section into convenient lengths. The ratio of these individual lengths divided by their corresponding thicknesses is determined and totaled. Torsional resistance is then obtained from the relation:

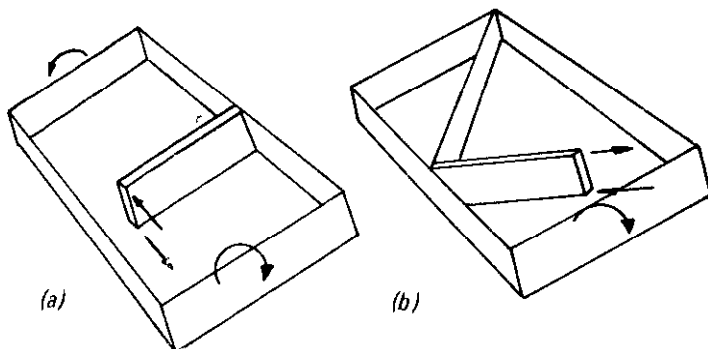
$$R = \frac{4A^2}{\Sigma \frac{d_s}{t_s}}$$



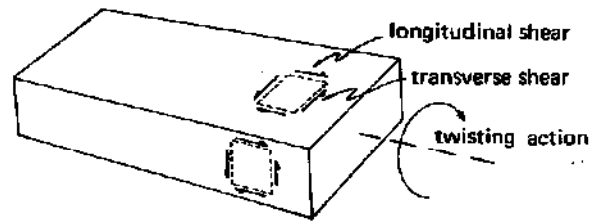
**Fig. 2-22.** Twisting of flat strip of steel.



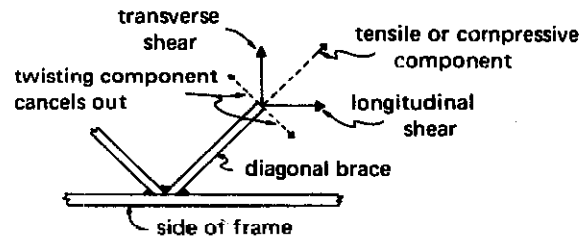
**Fig. 2-23.** Strip of steel on edge shows exceptional resistance to bending loads.



**Fig. 2-24.** (a) Frame with cross ribs shows little resistance against twisting; (b) diagonal bracing offers exceptional resistance to bending and to twisting of the entire frame.



**Fig. 2-25.** Transverse and longitudinal shear stresses in a frame under torsion.



**Fig. 2-26.** Transverse and longitudinal shear stresses in a frame with diagonal bracing.

Figure 2-20 gives formulas for calculating the torsional resistance of various closed tubular sections. Since most sections resolve themselves into three or four flat plates, the work required to determine the torsional resistance is greatly simplified.

Diagonal bracing is very effective for preventing twisting. Why is this so? There are several ways to explain the effectiveness of diagonal bracing. A simple explanation arises from an understanding of the direction of the forces involved.

A flat strip of steel (Fig. 2-22) has little resistance to twisting, but when set on edge has exceptional resistance to bending loads (Fig. 2-23).

Consider that a base or frame under torsion has two main stresses: transverse shear stress and longitudinal shear stress. Any steel panel will twist if these stresses are acting at right angles to its axis (transverse), Fig. 2-25.

A frame with cross ribs does not have a great deal of resistance against twisting. This is because, as shown in Fig. 2-24(a) the longitudinal shear stress is applied normal or transverse to the rib, producing torque, and under this torque it will twist just as the flat piece of steel seen in Fig. 2-22.

A consideration of the action of the stresses on a steel panel with 45° diagonal bracing, Fig. 2-26, reveals an entirely different set of conditions. If these shear forces are broken down into their two components, parallel and transverse to the brace, the transverse components cancel out and eliminate the twisting action. The parallel shear components act in

the same direction to place one edge of the brace in tension and the other edge in compression, hence the diagonal brace is subjected to a bending action, which it is capable of resisting, and thus the diagonal bracing greatly stiffens the frame.

### Transfer of Forces

Loads create forces that must be carried through the structure the engineer is designing to suitable places for counteraction. The designer needs to know how to provide efficient pathways.

One of the basic rules is that a force applied transversely to a member will ultimately enter that portion of the section that lies parallel to the applied force.

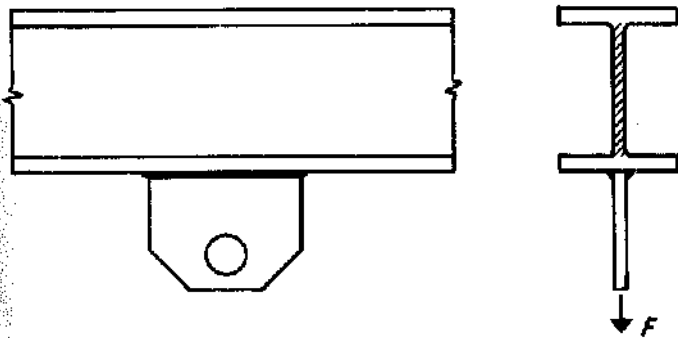


Fig. 2-27. Lug welded parallel to the length of a beam.

Figure 2-27 shows a lug welded parallel to the length of a beam. The portion of the cross section of the beam that lies parallel to the applied force — and thus receives that force — is the web. The force in the lug is easily transferred through the connecting welds into the web, and no additional stiffeners or

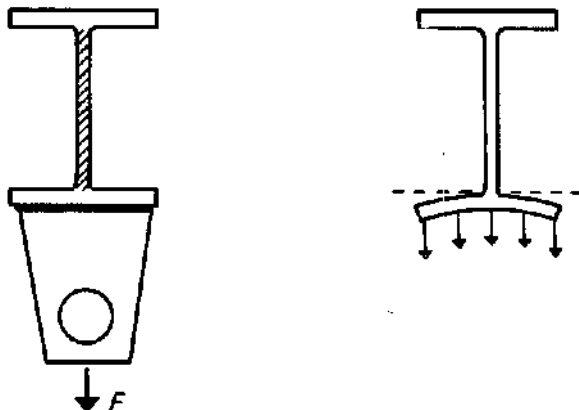


Fig. 2-28. Lug welded at right angles to the length of a beam (left); force causes flange to deflect (right).

attaching plates are required. Suppose, however, that the lug were welded to the beam flange at right angles to the length of the beam. The condition shown in Fig. 2-28 then exists: the outer edges of the flange tend to deflect, and the small portion of the weld in line with the web is forced to carry an excessive amount of load.

To prevent this situation, two stiffeners might be welded inside the beam in line with the lug (Fig. 2-29). This will result in an even distribution of force through the welds and through the lug. The stiffeners keep the bottom flange from bending downward, thereby providing a uniform transfer of force through the weld. Since this force enters the web of the beam, there is no reason for welding the stiffener to the top flanges. The three welds (a), (b), and (c) must all be designed to carry the applied force,  $F$ .

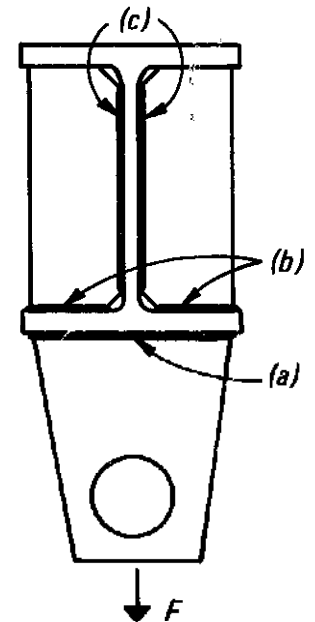


Fig. 2-29. Stiffeners welded inside the beam in line with lug of Fig. 2-28.

If for some reason, the force is to be applied parallel to the flanges, it would not be sufficient to simply attach the lug to the web of the beam. This would cause excessive bending of the web (Fig. 2-30) before it would load up and be able to transfer the force out to the flanges. In such a situation, the lug could be welded into the beam, as in Fig. 2-31, to act as a stiffener, welding to the flanges only

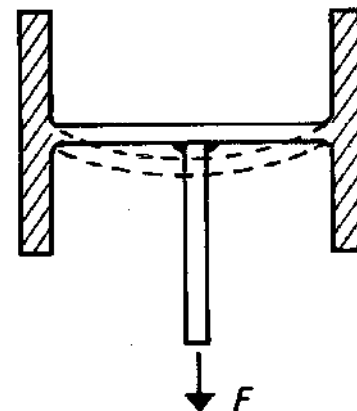


Fig. 2-30. Force applied to web of beam, parallel to flanges, causes excessive bending.

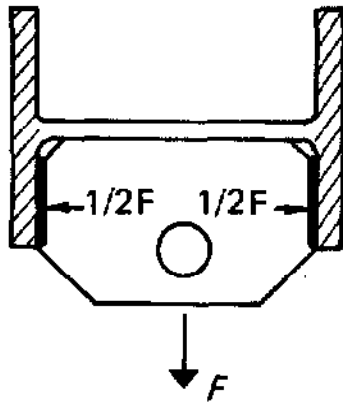


Fig. 2-31. Lug welded to flanges as shown to prevent bending of web.

flanges only would be adequate, since no force is transferred to the web.

For larger loads, it might be necessary to use a stiffener above the web (Fig. 2-32). In this case, both stiffeners would be welded to the web as well as the flanges, since the top stiffener could be loaded only through the welds along the web.

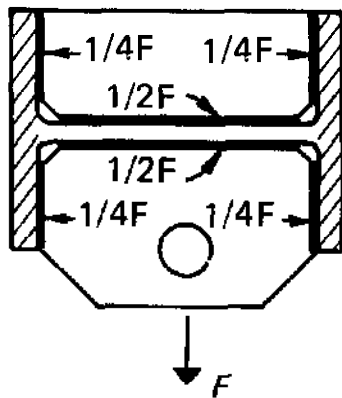


Fig. 2-32. Stiffener used above the web and welded, as shown, to handle larger loads.

### Diagonal Bracing

In designing braces, one must be careful to avoid conditions that permit initial movement before the brace loads up. Figure 2-33 shows diagonal bracing made with bent plate. This looks substantial, but the bracing will actually permit some initial twisting of the frame. The reason is brought out by the sketch of the intersection. There is a jog in the dotted line through the center of the diagonal bracing, at the intersection. Under load, tensile forces tend to straighten out one centerline and compressive forces cause additional bending in the other. The result is that some initial movement of the braces occurs, with twisting of the whole frame before the diagonal braces load up. Diagonal braces should always intersect without bends.

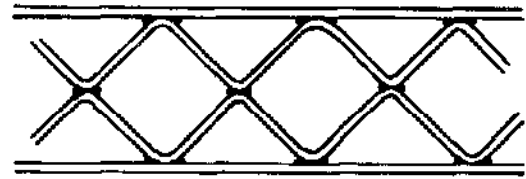


Fig. 2-33. Diagonal bracing made with bent plate (top); enlarged view of intersection of diagonal bracing, showing jog (bottom).

Any time a force changes direction, a force component is involved. Figure 2-34 shows a knee of a rigid frame. The compressive force in the lower flange must change direction as it passes into the other flange. To accomplish this, a diagonal stiffener is placed at the intersection of the two flanges. The

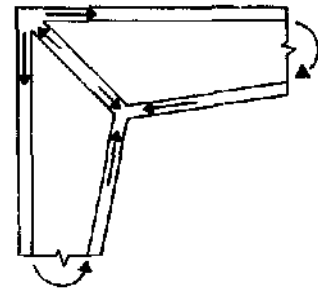


Fig. 2-34. Knee of rigid frame.

diagonal force component passes up through the diagonal stiffener and becomes the force component that is also required to change the direction of the tensile forces in the upper or outer flange. Since the force changes direction at a single point, only one diagonal is needed.

### THE DESIGN PROCEDURE

When the engineer has acquired a basic understanding of the design approach, the many design and shop factors that should be taken into account, the types of loading he is to deal with, and the use of formulas, he is ready to proceed with his design. Before applying the various formulas, the problem itself should be carefully analyzed and clearly defined. Many uneconomical and unacceptable designs often result from incorrect definitions.

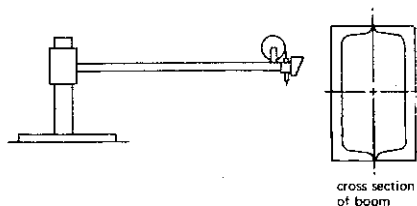


Fig. 2-35. Schematic of automatic welding head (left); cross section of boom (right).

The design procedure may be illustrated by considering the case of a fabricating plant that has set up an automatic welding head on a boom, under which the work moves on a track. At a later date, it becomes necessary to extend the length of the boom so that larger workpieces can be handled (Fig. 2-35).

Defining his problem, the engineer recognizes a simple cantilever beam with a concentrated load at the outer end. The weight of the automatic welding head with its wire reel and flux constitutes the type and amount of loading. This load will produce vertical deflection, which he arbitrarily decides should not exceed 1/8 inch. Even though there is no known horizontal force applied to the beam, he assumes that he should design for a horizontal force of about one quarter the vertical force.

At this stage the problem is fairly well described. The engineer considers the possible use of a rolled I beam of adequate size, a box beam built entirely from plate, and a box beam made by welding two channels together toe-to-toe. He selects the latter and creates an economically feasible box section with depth greater than width as shown in Fig. 2-35.

Was the redesigned welding head done in the best possible way? When it is mounted at the end of the new boom, the boom deflects downward 1/8 in. — just as planned — and there it will remain until it is replaced or moved to another location. Perhaps the real design problem in this instance (the one that was entirely overlooked) concerns movement of the welding head during welding. This can be caused by accidental bumping, or possibly by a crane passing overhead that shakes the building framework.

If this is the case, then, it becomes apparent from investigation that the electrical circuitry of the welding head automatically compensates for limited vertical movement along the y-y axis. Horizontal movement cannot be tolerated, however, since it produces poor bead appearance and can affect the strength of the weld if penetration along the centerline of the joint is important. Obviously the box section configuration in Fig. 2-35 is the wrong design for this situation since the moment of inertia along the vertical y-y axis ( $I_y$ ) is much less than that

about the horizontal x-x axis, ( $I_x$ ). The solution for this condition would probably call for a beam more nearly square in cross section.

### Material Selection

In this case — as in most cases with machine members — there was no question about material selection. Steel was the obvious material. In other instances, after the problem has been defined and load conditions established, it may be necessary to select the best material. Sometimes the designer must establish whether he has a strength problem or a rigidity problem and pick the material that meets his needs most economically.

Here, it is easy to be led astray by wrong premises. One machine tool company experimented with bases of different steels under the assumption that a higher strength steel ought to give a more rigid base. Company engineers were surprised to observe that all the steels tried gave the same deflection under the same load. Had they known that the property of a material that indicates its relative rigidity is its modulus of elasticity — and that all steels have the same modulus and thus the same rigidity — needless experimentation would have been avoided.

Another company was experiencing a deflection difficulty with a lever that operated at very high speeds. The engineers reasoned that the forces were due mainly to inertia, and decided that, if a lighter metal could be used, the mass would be decreased. The inertia formula is:

$$F = ma$$

This in turn would decrease the inertia and reduce the deflection. They had a new lever made from aluminum for testing. At this point, it became relevant to use the following formula for mathematical analysis:

$$\Delta = \frac{KFL^3}{EI} \text{ and } F = ma$$

$$\text{therefore } \Delta = \frac{KmaL^3}{EI}$$

Where  $\Delta$  = deflection  
 $K$  = beam constant  
 $m$  = mass  
 $a$  = acceleration or deceleration  
 $E$  = modulus of elasticity (tension)  
 $I$  = moment of inertia  
 $L$  = length

Since the respective densities of aluminum and steel are 0.100 and 0.284 lb/in.<sup>3</sup> and the respective

moduli of elasticity are  $10.3 \times 10^6$  and  $30 \times 10^6$  psi, inserting the ratios of these values (aluminum to steel) into the above deflection formula, one obtains:

$$\Delta_{\text{aluminum}} = \frac{(1) \left( \frac{0.100}{0.284} \right) (1) (1)^3}{\left( \frac{10.3 \times 10^6}{30 \times 10^6} \right) (1)} \Delta_{\text{steel}}$$

$$\Delta_{\text{aluminum}} = 1.03 \Delta_{\text{steel}}$$

Thus, an aluminum lever designed for equivalent rigidity would actually have a deflection 1.03 times that of a steel lever. The lower modulus of elasticity of aluminum canceled out its lower weight advantage.

Another possible solution for the deflection problem involved seeing if a different section might be used. The deflection formula was put in a slightly different form:

$$\Delta = \frac{KAd\alpha L^4}{EI} \quad \text{where } A = \text{cross-sectional area} \\ d = \text{density}$$

Recalling that property of material and property of section determine the performance of a member, it is noted that  $\frac{d}{E}$  in the formula is a material property. This means that for low deflection,  $\frac{d}{E}$  should be as small as possible. Neither aluminum nor magnesium would give a value of  $\frac{d}{E}$  significantly different from that of steel. This observation confirms the fact that material selection in this example will have no effect on deflection.

Turning away from this hopeless approach, it is noted that  $\frac{A}{I}$  in the deflection formula is a property of section. For minimum deflection, this ratio should be minimal. Or, the ratio could be inverted to give the opposite of deflection, namely stiffness. A ratio of  $\frac{I}{A}$  should therefore be as great as possible. This ratio states that a high value for moment of inertia,  $I$ , and a small area,  $A$ , are desirable.

Knowing also that the square root of  $\frac{I}{A}$  is the radius of gyration,  $r$ , the ratio becomes:

$$\frac{I}{A} = r^2$$

This means that a section having a high radius of gyration should have high stiffness for this inertia load. Cutting holes in the lever along its neutral axis (Fig. 2-36) will reduce area,  $A$ , at a faster rate than

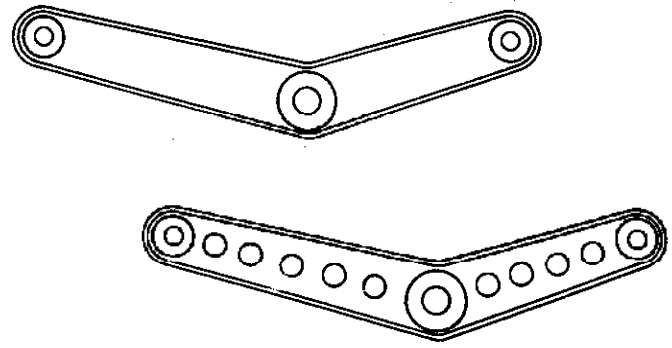


Fig. 2-36. Redesign of lever (left) consisted of cutting holes along neutral axis (right) to reduce sectional area, thus decreasing deflection under inertial forces.

it reduces moment of inertia,  $I$ , thus increasing the radius of gyration and decreasing deflection under the inertial forces. That this function actually occurs becomes increasingly credible when it is noted that it also amounts to reducing the mass in the formula  $F = ma$  (the original line of reasoning when aluminum was considered for the lever) without decreasing stiffness,  $I$ , to any great extent.

## REDESIGN BY EQUIVALENT SECTIONS

When converting from a casting to a weldment, the engineer can avoid complicated computations by using tables of equivalent sections. Tables 2-5 and 2-6 are presented for this purpose. A three-step procedure is used:

1. Determine the type of loading under the basic requirements of strength or rigidity for each member.
2. Determine the critical properties of the original cast members with respect to the loading. The ability of the member to withstand loading is measured by properties of its cross section, such as —

$A$  = area of cross section

$I$  = moment of inertia

$S$  = section modulus, for strength in bending

$R$  = torsional resistance

3. Use equivalent tables to find the corresponding values in steel. It is necessary only to multiply the known properties of the casting by the factor obtained from the appropriate table to get the corresponding value in steel.

TABLE 2-5. EQUIVALENT RIGIDITY FACTORS

STEP 1 -- Determine the Type of Loading	Tension	Compression		Bending	Torsion
		Short Column	Long Column		
STEP 2 -- Determine this property of the cast member.	Area A	Area A	Moment of Inertia I	Moment of Inertia I	Polar Moment of Inertia J
STEP 3	Multiply the above property of the cast member by the following factor to get the equivalent value for steel. *				
EQUIVALENT FACTORS					
Grey Iron ASTM 20	40%	40%	40%	40%	40%
ASTM 30	50	50	50	50	50
ASTM 40	63	63	63	63	63
ASTM 50	67	67	67	67	67
ASTM 60	70	70	70	70	70
Malleable A47-33 35018	83	83	83	83	100
A47-33 32510	83	83	83	83	100
Meehanite Grade GE	40	40	40	40	40
Grade GD	48	48	48	48	48
Grade GC	57	57	57	57	57
Grade GB	60	60	60	60	60
Grade GA	67	67	67	67	67
Cast Steel (.10 - .20%C)	100	100	100	100	100
Magnesium Alloys	22	22	22	22	20
Aluminum Alloys	34	34	34	34	32
	$A_s = \frac{E_c}{E_s} A_c$	$A_s = \frac{E_c}{E_s} A_c$	$I_s = \frac{E_c}{E_s} I_c$	$I_s = \frac{E_c}{E_s} I_c$	$J_s = \frac{E_c}{E_s} J_c$
Subscript "s" is for steel; "c" is for casting					

\* The factors above are based on published values of moduli of elasticity.

The following example illustrates the use of equivalent sections by presenting the problem of redesigning the cast-iron (ASTM 20) base shown in Fig. 2-37 as a steel weldment.

It is desirable that the welded-steel base be as rigid or even more rigid than the case-iron base. Since it is subject to bending, its resistance to bending must be evaluated.

The property of a section that indicates its resistance to bending is the moment of inertia, I. A

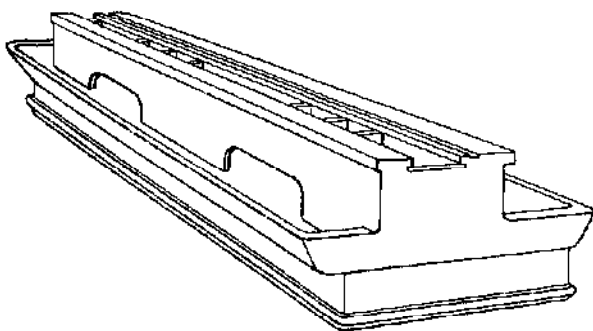


Fig. 2-37. Original cast-iron machine base, ASTM 20 (4900 lbs).

complete cross-sectional view through the cast base is needed. In the view obtained from the pattern print (Fig. 2-38), the shaded areas indicate the sections that run continuously through the base, acting to resist bending. The moment of inertia, I, about the horizontal and neutral axis must be obtained by

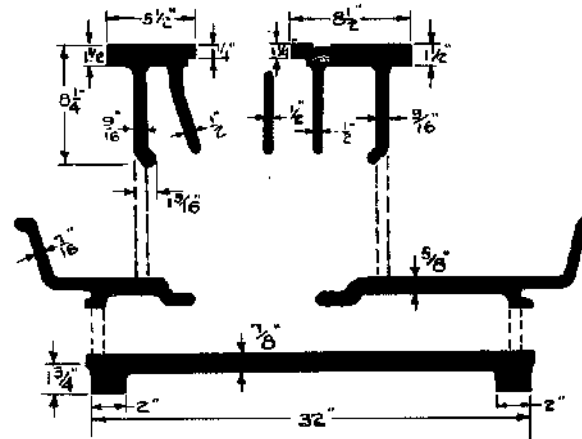


Fig. 2-38. Pattern print - cross section through cast-iron machine base in Fig. 2-37.

TABLE 2-6. EQUIVALENT STRENGTH FACTORS

STEP 1 – Determine the Type of Loading	Tension	Compression Short Column	Bending	Torsion
STEP 2 – Determine this property of the cast member	Area A	Area A	Section Modulus S	Polar Section Modulus $\frac{J}{c}$
STEP 3	Multiply the above property of the cast member by the following factor to get the equivalent value for steel.*			
EQUIVALENT FACTORS				
Grey Iron ASTM 20	21%	94%	21%	28%
ASTM 30	31	123	31	42
ASTM 40	42	136	42	56
ASTM 50	52	156	52	70
ASTM 60	63	167	63	83
Malleable A47 – 33 35018	68		68	76
A47 – 33 32510	54		54	70
Meehanite Grade GE	31	125	31	42
Grade GD	36	136	36	49
Grade GC	44	164	44	58
Grade GB	49	174	49	64
Grade GA	57	199	57	73
Cast Steel (.10 – .20%C)	75	75	75	75
Magnesium H-alloy, AZ63, T6, HTA	50	50	50	33
C-alloy, AZ92, T6, HTA	50	50	50	37
Aluminum 195 T4	40.0	40.0	40.0	43.3
Sand T6	45.0	45.0	45.0	50.0
Castings 220 T4	57.5	57.5	57.5	55.0
355 T6	43.7	43.7	43.7	46.6
T7	47.5	47.5	47.5	46.6
356 T6	41.2	41.2	41.2	43.3
T7	42.5	42.5	42.5	40.0
	$A_s = \frac{\sigma_c}{\sigma_s} A_c$	$A_s = \frac{\sigma_c}{\sigma_s} A_c$	$S_s = \frac{\sigma_c}{\sigma_s} S_c$	$\left(\frac{J}{C}\right)_s = \frac{\sigma_c}{\sigma_s} \left(\frac{J}{C}\right)_c$
Subscript "s" is for steel; "c" is for casting				

\* The factors above are based on published values of tensile, compressive, and shear strength, using a safety factor of 3 for mild steel and from 4 to 4.8 for the cast materials, depending upon ductility.

calculation; or a ruler specially designed for this purpose may be used as in Fig. 2-39.\* The moment of inertia of the casting,  $I_c$ , is found to be 8640 in.<sup>4</sup>

Table 2-5 shows that the factor for steel replacing an ASTM 20 grey cast-iron in bending is 40% of the moment of inertia,  $I_c$ , of the casting. Hence,  $I_s = 0.40 I_c = 3456 \text{ in.}^4$

The problem now is to build up a welded-steel section within the outside dimensions of the cast section having a moment of inertia equaling 3456

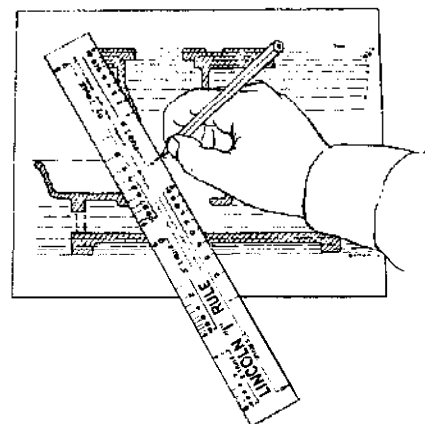


Fig. 2-39. Obtaining the moment of inertia about the horizontal neutral axis of the cast-iron machine base with special I rule.

\* For a complete discussion of this method see "Design of Weldments," by Omer W. Blodgett, J.F. Lincoln Arc Welding Foundation (1963).



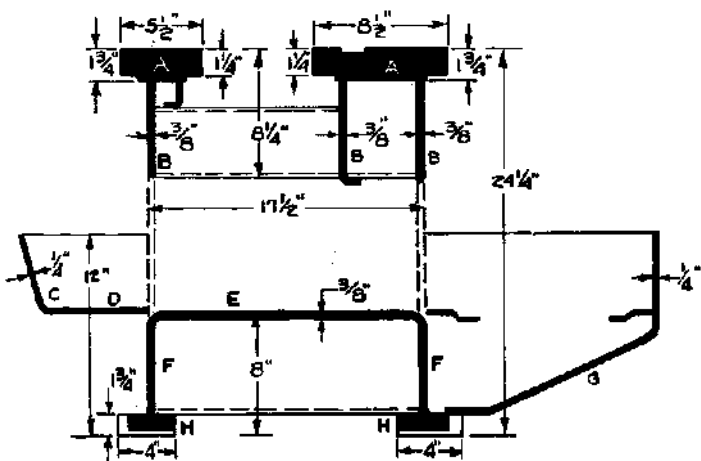


Fig. 2-40. Suggested redesign of cast-iron machine base in Fig. 2-37, for welding.

in.<sup>4</sup> The dimensions and location of the two top flange plates must be retained; the design must lend itself to the most economical fabrication methods.

The design in Fig. 2-40 is suggested. Its moment of inertia is quickly found by the method known as "adding areas." Its value is found to be 6280 in.<sup>4</sup>, or 1.8 times as rigid as the cast-iron base.

Once the cross section of the steel base has been designed, other less important components of the cast base are converted to steel. Figure 2-41 shows the final weldment, which has 1.8 times the rigidity but weighs 49% less and costs 38% less.

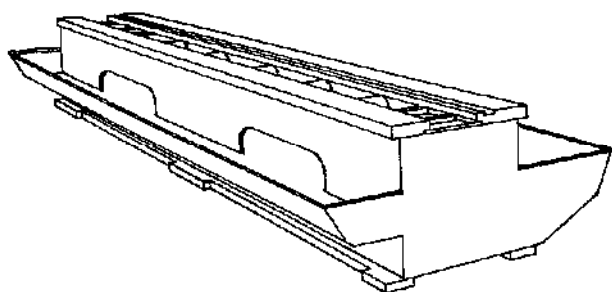


Fig. 2-41. Final design of welded-steel machine base (2500 lbs).

### Use of Nomographs in Conversions

When the same section and over-all dimensions can be used, the conversion to steel is simplified even further by the use of nomographs. Figure 2-42 shows a single-ribbed cast motor base in ASTM 20 grey iron, 30 in. wide, 60 in. long, and 6 in. deep. The conversion may be accomplished in accordance with the following considerations:

1. The cast base performed satisfactorily in service. The design problem is one of rigidity under a bending load.

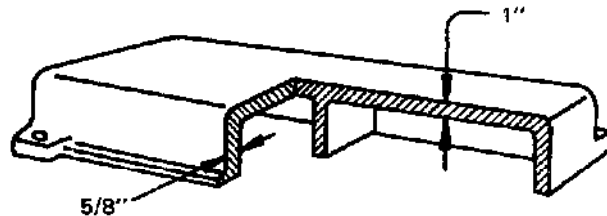


Fig. 2-42. Original cast-iron motor base (681 lbs).

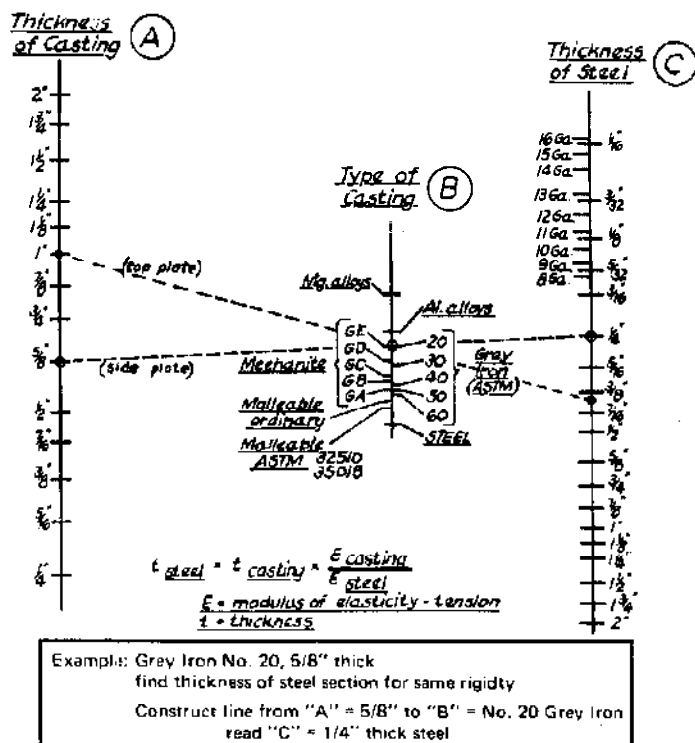


Fig. 2-43. Nomograph for determining required thickness of steel section for rigidity equal to cast section.

2. In a rigidity design, there must be sufficient moment of inertia to resist a bending load. When the shape of the cross section as well as over-all dimensions remain the same, the moment of inertia may be assumed to vary as the specified thickness of the sides and top — the parts that resist bending — and the variance obtained will be accurate within 5 percent.
3. The minimum thicknesses of the top and side panels can be read directly from the nomograph (Fig. 2-43) by using a straight edge and running from line (A) through the point on line (B) indicating an ASTM 20

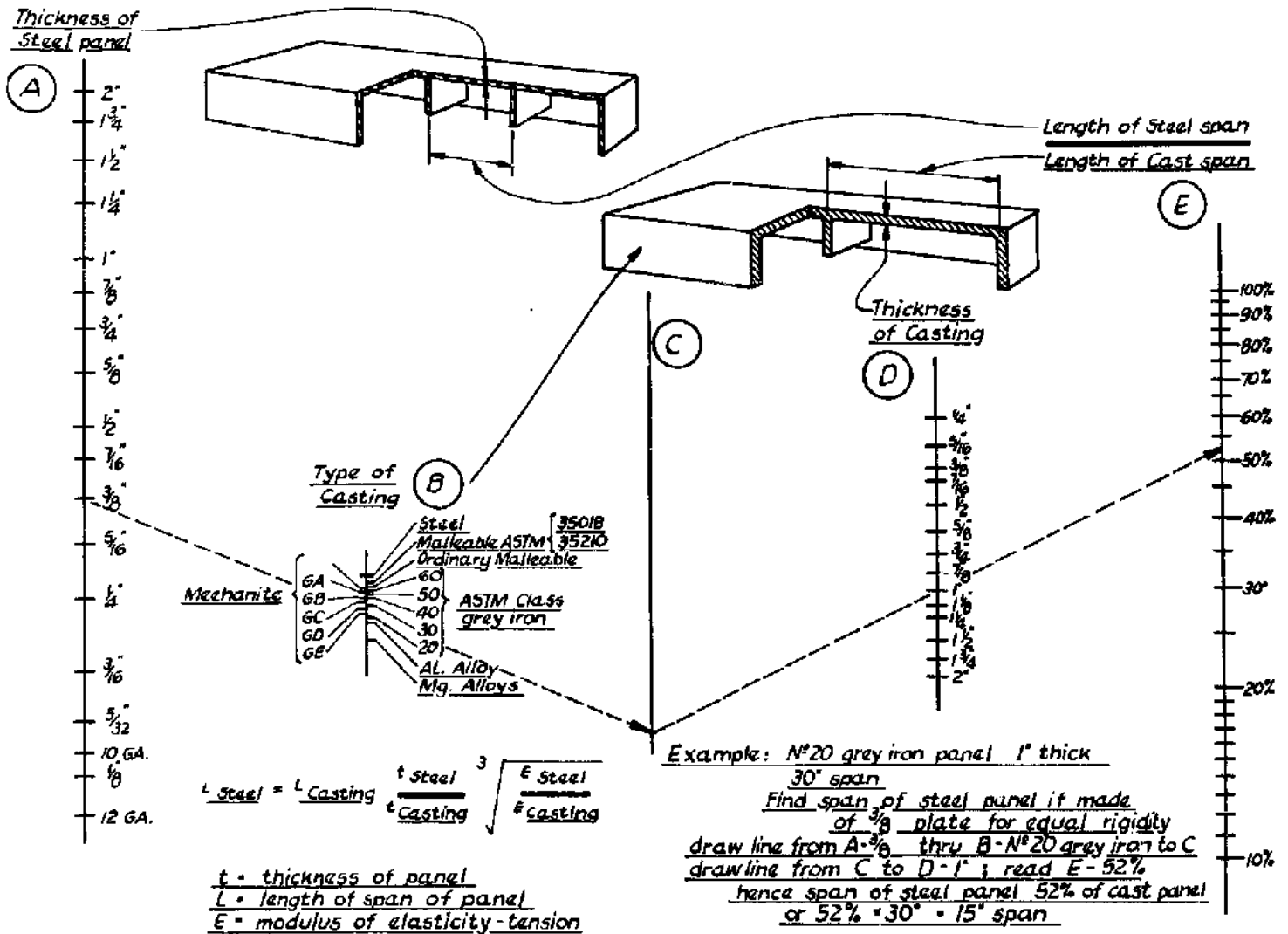


Fig. 2-44. Nomograph for determining required ratio of steel span to cast span for steel section having rigidity equal to cast section.

grey iron casting to line (C). The nomograph shows that a 3/8-in. top and 1/4-in. side panels in welded steel should give approximately the same rigidity.

The problem, however, is not solved. The cast base has a rib that serves as a stiffener; thus one or more stiffeners must be provided in the steel base. Reasoning suggests that a thin top panel in steel may require more stiffening than the much thicker cast panel.

The nomograph in Fig. 2-44 is used to determine the maximum span of steel between stiffeners. With a straight edge laid across the point on line (A) indicating the 3/8-in. thickness of the steel top panel and the point on line (B) representing ASTM 20 iron, a reference point on line (C) is obtained. Then with the straight edge repositioned from this point on line (C) through line (D) at the point repre-

senting the 1-inch thickness of the cast top panel, a point on line (E) of approximately 52% is obtained. The original casting had a span of 30 in. between its end plate and center rib. A steel top 3/8-in. thick can only have 52% as much span. Three stiffeners about 15 in. apart would thus be required in the steel base to give equivalent rigidity in the top panel.

The redesigned base is shown in Fig. 2-45. Only two operations are required for its fabrication,

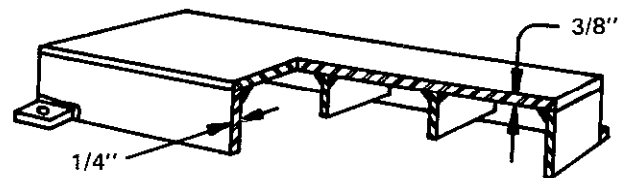


Fig. 2-45. First redesign of casting shown in Fig. 2-42: welded steel base (281 lbs) with three stiffeners on 15-in. centers.

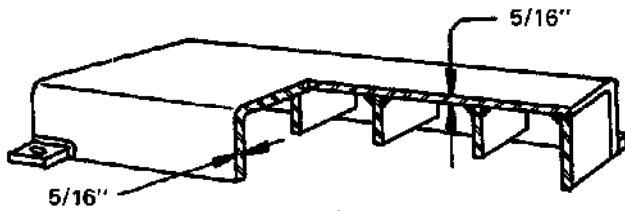


Fig. 2-46. Second redesign of casting in Fig. 2-42: welded steel base (274 lbs) with four stiffeners on 12-in centers.

shearing and welding. The weight has been reduced to 41.3% of the cast base and the cost is about 30 to 35% that of the casting.

The redesign program can be taken even further. If the moment of inertia of the cast base is found, it can be multiplied by the equivalent rigidity factor (40 percent). With the redesign based on an equivalent moment of inertia, the base can be made from 5/16-in. steel plate bent into the form of a channel (Fig. 2-46). Bending eliminates preparing the edges for welding, as well as welding three pieces together. A brake-forming operation may increase the cost for one-of-a-kind or small-quantity manufacture, but would result in lower cost if several were to be made at the same time. Note that an additional stiffener is required because of the thinner top panel.

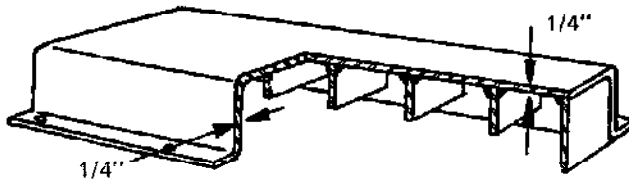


Fig. 2-47. Final design of casting in Fig. 2-42: welded steel base (248 lbs) with five stiffeners on 10-in centers.

The ultimate design would probably be that shown in Fig. 2-47. Here flanges have been bent into the plate at the bottom to give still greater rigidity. This permits a further reduction in plate thickness, but requires still another stiffener. The weight has now been reduced to 248 pounds.

## DESIGNING FROM LOAD CONDITIONS

A motor base, such as the one discussed, may be a member of an entirely new product. In other words, there may be no prior casting to use as the basis for design as a weldment. In this case, the design must be based on analysis of load conditions.

Normally, the calculation of maximum deflec-

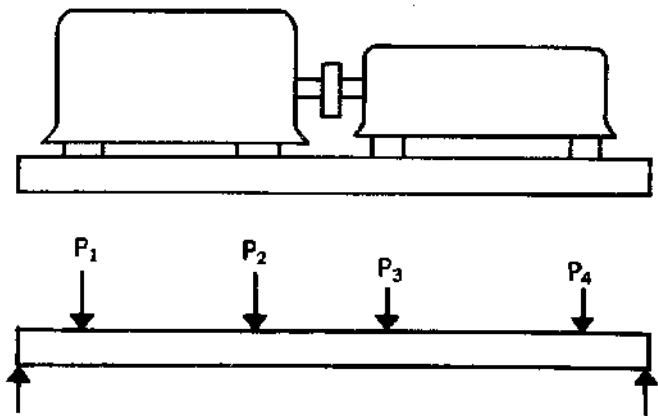


Fig. 2-48. Most machine bases have unsymmetrical loadings; thus maximum deflection is not at center of span.

tion of members subjected to bending loads is very complex. The point of maximum deflection must first be found, and then the deflection at this point determined. Except when there are no more than two loads of equal value at equal distance from the ends of the member, existing beam tables in engineering handbooks are inapplicable to the problem. Most bases have more than two loads, and the maximum deflection usually does not occur in the middle of the member (Fig. 2-48).

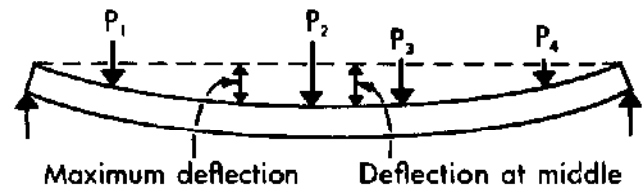


Fig. 2-49. Design based on deflection at middle of beam.

Two things can be done to simplify the problem. First, the deflection at the middle of the member (Fig. 2-49), rather than the maximum deflection at an unknown point, might be used for design purposes. This is justified since the deflection at the midpoint is always within 2% of the maximum deflection. For example, a simply supported beam with a single concentrated load at the one-quarter point has a deflection at the center 98.5% that of the maximum deflection. With a greater number of loads on the member, the error decreases.

Second, a simple method of adding the moments of inertia for each individual load can be used. This method may be explained as follows: For a given member, each load will, individually, cause a certain amount of deflection at the center. The total deflection here will equal the sum of the individual deflections (Fig. 2-50).

The principle of adding deflections may be used

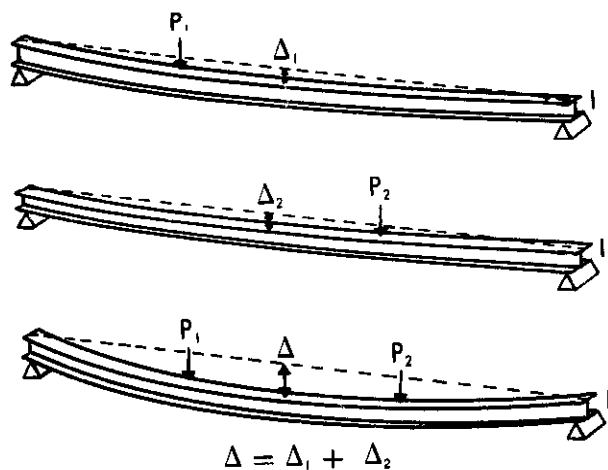


Fig. 2-50. Total deflection,  $\Delta$  equals sum of individual deflections.

in a reverse manner to find the required section of a member, as it is represented by moment of inertia,  $I$ . For an allowable deflection,  $\Delta$ , at the centerline, each load, taken one at a time, will require a section with a moment of inertia ( $I_1, I_2, I_3$ , etc). The moment of inertia,  $I$ , of the beam section required to support all the vertical loads within the allowable deflection will equal the sum of the individual moments of inertia (Fig. 2-51).

**MAKING USE OF EXPERIENCE**

Most types of machines have been in use for many years and continue to perform satisfactorily. Often the actual loads on these machines are unknown, and no effort has been made to determine how forces are transferred through the members. Many machines have come to their present state of development through an evolutionary process. If a casting broke because it was overloaded, the next casting was made heavier in the weak region.

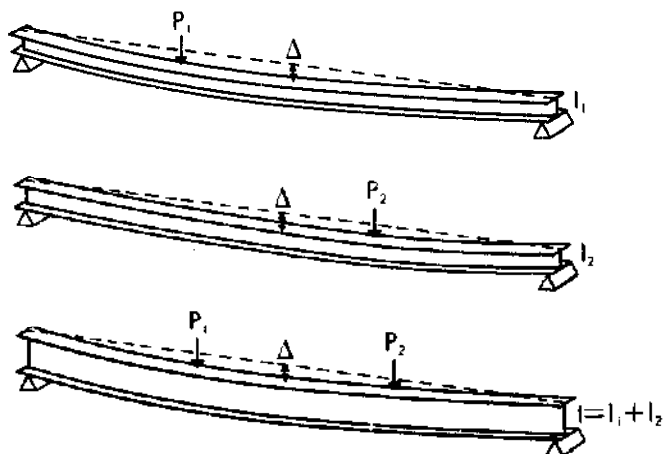


Fig. 2-51. Moment of inertia for beam with several loads may be obtained by adding moments required to handle each load separately.

Eventually a design evolved that gave satisfactory performance. Every machine with a long history of use represents the experience and judgments of a succession of designers.

When given the task of redesigning a machine in welded steel, the weldment designer becomes a theoretician. He knows how to deal with loads, how to transfer forces, size welds, and use materials strategically. He probably has substantial shop experience with the fabrication of weldments, with welding processes, and with cost analysis, also. But he can't bring to the problem the decades of experience of the machine industry. Through his computations he may produce a welded steel design of apparent excellence, only to find that a critical location for a stiffener is the exact spot where gearing must be located.

Obviously, the only way to be assured of the best design is make certain that the "twain meet" — that theoretical knowledge is joined with practical experience.

**Evolution of a Welded Design**

Figure 2-52 shows the tedious evolution of a welded design. In (b) an attempt to convert from the casting (a) and maintain the functional requirements, the designer has considered very narrow parts of the problem, piecemeal; he could have saved much effort by looking at the whole. The casting illustrated is a bottom section of a gear housing. It supports the upper part of the housing, holds the oil supply, and provides holes for attaching the upper part with 3/8-in. studs. The performance requirements in the welded steel counterpart are known to the designer, but he approaches his redesign awkwardly.

In weldment (b), the designer reduced the bottom panel thickness to 3/8 in. by going to the equivalent of 1/2-in. cast iron. But to provide adequate width for 3/8-in. studs, he used 1-in. plate for the side members of the housing. In order to make the housing oiltight, the side members are continu-

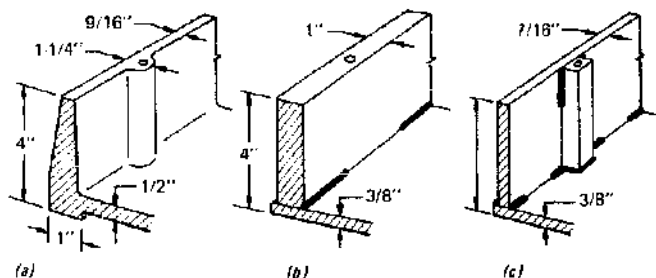


Fig. 2-52. Evolution of welded design of a gear housing. Original casting (a); first redesign — bottom plate thickness reduced (b); thinner member used (c).

ously fillet-welded to the bottom plate on the outside; they are also intermittently fillet-welded on the inside. Welds will be required at all corners, as well. The design satisfied function, but the 1-inch thick side members stand out as a wasteful use of material.

In weldment (c), the side member used is thinner, but still thick enough so that its edge can be machined to provide a bearing surface for the top portion of the gear housing. Bars are welded to the side members to receive the hold-down studs.

The theoretician might note that the design is, after all, nothing but a substitute for a casting. He might suggest starting from scratch to devise a welded steel part to do the job, perhaps listing the functions the cast housing has been serving: (1) providing support for the upper portion of the gear housing; (2) holding oil; and (3) providing a means for access by a machined parting surface.

As he starts to rethink the bottom portion of the housing, he may note that it is basically just an oil pan. Why should an oil pan be the support for the gear housing? Why not use some other way of supporting the gears, their housing, and the loads imposed by the work? For example, in the design illustrated in Fig. 2-53, the gears are held in align-

ment and proper position by the top portion of the assembly, the same as with the casting. The forces, however, are not transferred to the bottom portion but to an external support through a single plate. Stiffeners are welded at right angles to this plate to help carry the load to the external support. The forces now pass through welded joints rather than bolted joints. The bottom portion is seen to be simply an oil pan, and might be made as a deep-draw stamping from very light-gage material.

The new welded design is enough different than the cast design that in all probability the two designs would not be interchangeable. The next step is to determine the best method to integrate the new design into the over-all machine.

### QUALITATIVE VS. QUANTITATIVE METHODS

The foregoing has been concerned with the elements of weldment design; how to go about the design procedure; what to do. Assuming that the engineer is ready to attack specific problems, attention will now be turned to examples of practical design problems, to short-cut procedures, design hints, and the "do's" and "don'ts" that are better learned beforehand than acquired by experience.

Chemical analysis can be either qualitative or quantitative. Qualitative analysis answers the question, *What is the unknown?* Quantitative analysis determines *how much* of a substance is in a given sample. It is wasteful to run a long and tedious chemical quantitative determination when only the question of *what* needs to be answered.

Similarly, in weldment design it is wasteful to make quantitative calculations about stress, deflection, etc., when only qualitative information is

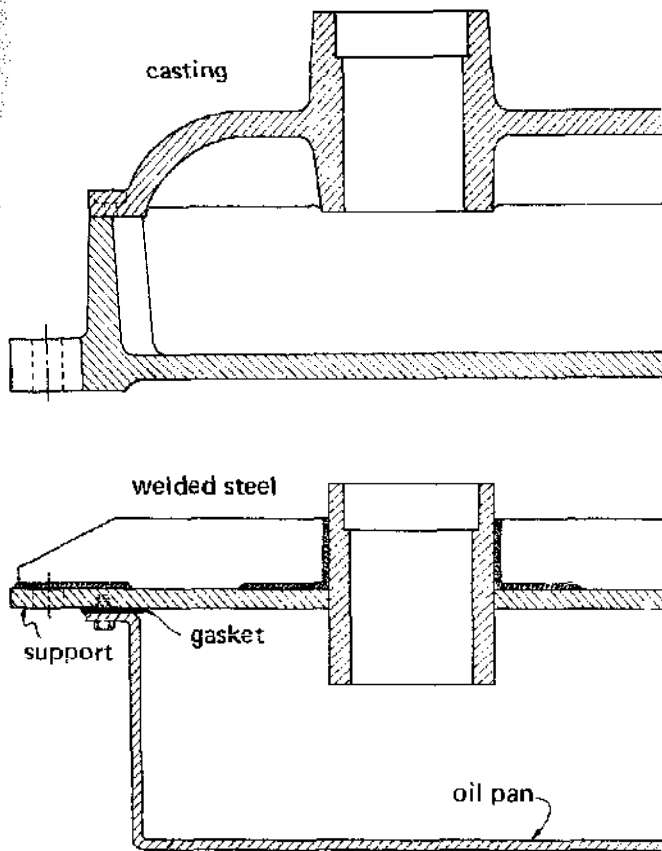


Fig. 2-53. Gear housing. Original grey iron casting (top); suggested weldment replacement (bottom).

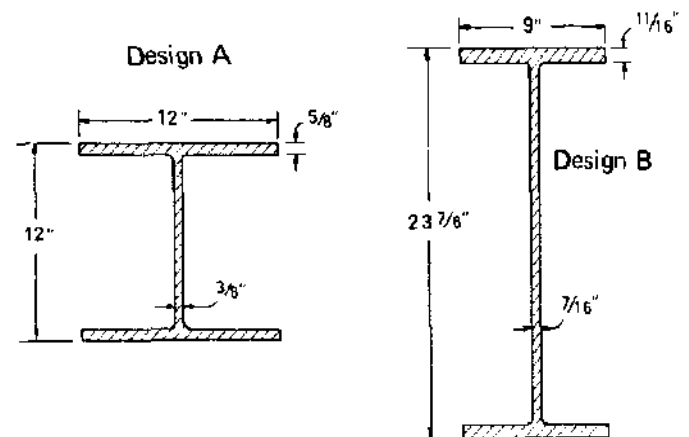


Fig. 2-54. Comparisons of two beams with shock loading.

wanted. Often the design problem merely asks for a "quality" comparison — is one design better or worse than the other? Here, exact quantitative data may not be needed.

The design formulas can provide qualitative answers if they are used to establish ratios, which tell whether a design is better or worse without describing the situation quantitatively.

In the example illustrated by Fig. 2-54, the designer has selected a 12-in. WF 65-lb beam to support a load. Reminded that this is a shock load and that a larger beam should be used, he makes what he thinks is a safe selection — a 24-in. WF 76-lb beam. Since the moment of inertia is now four times better, the designer feels confident that he has made a substantial improvement. But has he?

The situation can be regarded from a qualitative standpoint without becoming involved in numerous calculations. The standard formula for the energy ( $U$ ) absorbed by a member during shock loading is:

$$U = \frac{\sigma_y^2 I L}{6 E c^2}$$

Setting up the ratio of  $U_B$  to  $U_A$  shows, surprisingly, that the larger beam will not absorb any more energy under the shock load. The ratio is exactly equal to 1.0. The only variables are the moment of inertia,  $I$ , and the distance,  $c$ , from the neutral axis to the extreme fiber, and their values are such that the ratio becomes 1:1. The designer accomplished nothing by changing his initial selection for the shock load to a 24-in. WF 76-lb beam. A better solution is a 12-in. WF beam with a higher value for  $I$ .

Design A	Design B
$I = 533.4 \text{ in.}^4$	$I = 2096.4 \text{ in.}^4$
$c = 6.06 \text{ in.}$	$c = 11.94 \text{ in.}$
$E = 30 \times 10^6 \text{ psi}$	$E = 30 \times 10^6 \text{ psi}$
$\sigma_y = 36,000 \text{ psi}$	$\sigma_y = 36,000 \text{ psi}$
$L = 12 \text{ ft.}$	$L = 12 \text{ ft.}$

$$\frac{U_B}{U_A} = \frac{\left(\frac{\sigma_B}{\sigma_A}\right)^2 \left(\frac{I_B}{I_A}\right) \left(\frac{L_B}{L_A}\right)}{\left(\frac{E_B}{E_A}\right) \left(\frac{c_B}{c_A}\right)^2} = \frac{(1)^2 \left(\frac{2096.4}{533.4}\right) (1)}{(1) \left(\frac{11.94}{6.06}\right)^2} = 1.0$$

### Importance of Correct Analysis

Unless he analyzes correctly, the designer may spend hours or days trying to solve a problem that does not exist. The following example is illustrative.

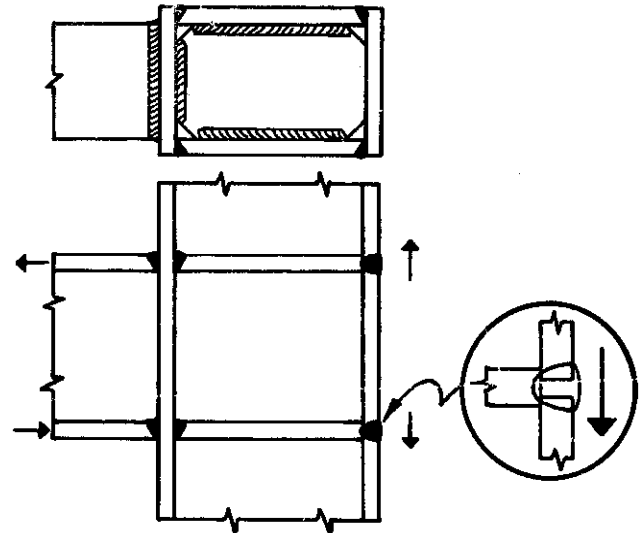


Fig. 2-55. Welded frame box section.

The welded frame in Fig. 2-55 is made as a box section. How can horizontal diaphragms be inserted inside the box member in line with the top and bottom flanges of the beam section? One solution would be to make the vertical column section by welding the inner flange plates to the two side web plates. Any necessary diaphragms will then be welded into position, and the outside flange of the column welded. The outside flange plate will be cut so that a short length may be inserted and, simultaneously, by means of a single-bevel groove weld, the outside flange will be made continuous and attached to the horizontal diaphragm plates.

Since the outside flange plate is loaded in tension, and is also subject to fatigue loading, there is some question as to the fatigue strength of this

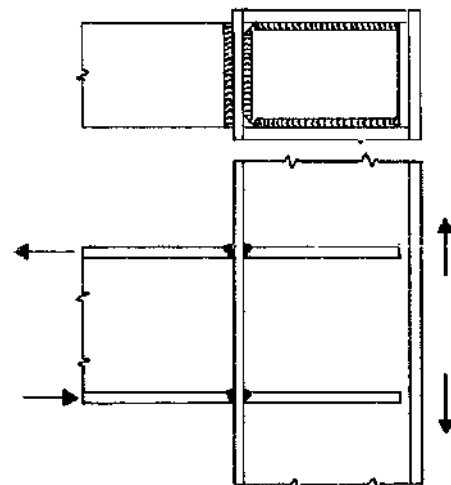


Fig. 2-56. Tension and compression forces enter column through butt welds.

welded joint. Although there are no data on this type of joint — two plates butted together with a third plate normal to these serving as a backing — it is suggested that it is similar to a butt-welded joint using a backing bar.

An understanding of the purpose of the diaphragms is necessary for full comprehension of the problem. The tensile force in the upper flange of the beam and the compression force in the lower flange enter the column section through the groove weld (Fig. 2-56). These forces then pass directly into the diaphragm plates, and out sideways through the connecting welds into the web plates of the column, then they stop. Since a force applied to a member is transferred ultimately to the portion of the member that lies parallel to the force, it is clear that these forces in the beam flange must enter the two side web plates of the column and go no further. There is no reason for them to enter the outside flange plate. Therefore these diaphragms may be cut short about an inch and need not be welded to the outer flange of the column.

Thus, a situation that appeared to pose a problem, in reality is not a problem. The outside flange plate is now made in one length and does not have to be welded to the diaphragm.

## MEETING A DESIGN PROBLEM

Figure 2-57 shows the original design of a steel casting with a very large force,  $F$ , exerted on it.

The first weldment (Fig. 2-58) is a copy of the casting. Because of the large force transferred from (c) up through (b) and into (a), all these welds must be complete-penetration groove welds. Much welding is represented, since the plates are thick. The procedures for welding are important because the plates are of quenched and tempered steel. High-strength weld metal must be used.

In view of the fact that a force applied to a member will ultimately be transferred into the part of the member that lies parallel to the force (Fig. 2-59), the force,  $F$ , must eventually be found in section (a). Why not, then, use a pair of plates, as in Fig. 2-60? If this is done, the force will pass up

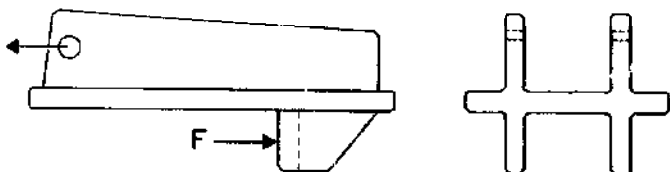


Fig. 2-57. Original steel casting.

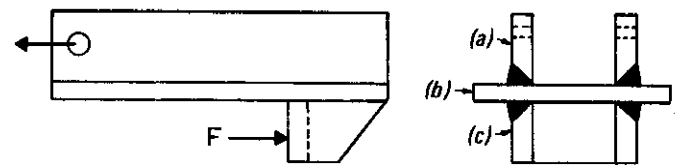


Fig. 2-58. First weldment design of casting in Fig. 57.

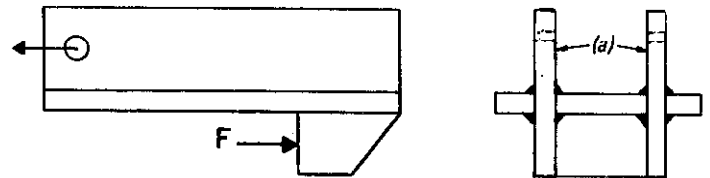


Fig. 2-59. Force,  $F$ , is transferred into area (a), which lies parallel to the force.

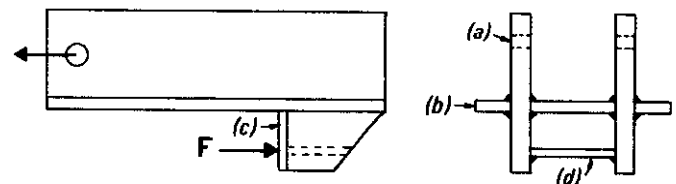


Fig. 2-60. Second weldment design of casting in Fig. 2-57.

through plate (a) without passing through a welded joint. Plates (b), seen in Fig. 2-60, will then be added as secondary members, and plate (c) will be used to provide bearing for the force when it is applied to plates (a). Since the force pushes plate (c) against plates (a), the weld is not extremely critical and a smaller weld may be used. Plate (d) is added to provide proper stiffness to plate (c). Again, the load on these welds is not great. Welding costs will be lowered, because welding is used only to connect secondary portions and high-strength weld metal is not required.

## Importance of Realistic Specifications

Figure 2-61 shows a section of a welded frame made from 8-in., 11.5-lb channel sections. There are some 1-in.-thick plates welded to the top of the frame to serve as pads between the machinery and the frame. The engineer has indicated a  $7/16$ -in. intermittent fillet weld, 2 in. in length and on 4-in. centers. The instructions are unrealistic, since the weldor is being asked to put  $7/16$ -in. welds on the toe of a flange only  $1/4$ -in. thick. The engineer, of course, was falling into the easy error of thinking of the thickness of the 1 in. plate.

## Ideas from the Shop

Figure 2-62(a) shows a portion of a welded steel gear housing for an earth-moving unit made of

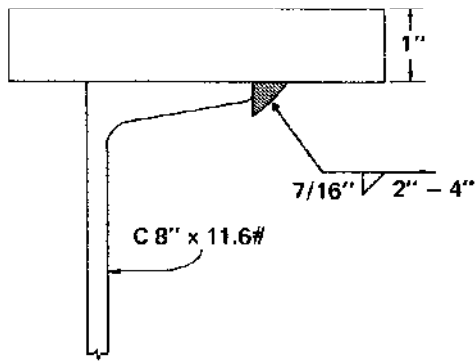


Fig. 2-61. Detail of section of welded frame made of lengths of 8-in., 11.5-lb channel sections.

formed plates. One boss is located near an inside corner of the housing. When leakage occurred in the joints of the housing behind the box, repairs became difficult and costly.

Finally, a weldor who had frequently made the repair suggested to the engineering department that the boss be changed from the round section to a boss of rectangular section. As shown in Fig. 2-62(b), this

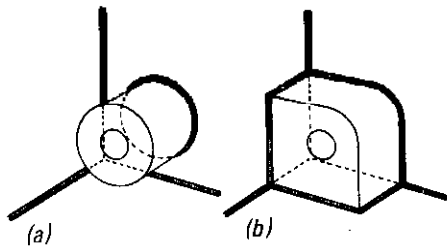


Fig. 2-62. Section of welded gear housing. (a) Original boss; (b) redesigned rectangular boss.

could be welded to the housing before the other inside corner welds were made. Thus the weld area was readily accessible. As a result of the change in the shape of the boss, problems of leakage stopped immediately. Should leakage occur, however, repair would be easy.

## POTENTIAL SOURCES OF TROUBLE

### Improper Specifications

When designs are to be altered, the designer should carefully check the changes to be made in the welding. Otherwise, serious errors could occur.

For example, for many years a company had been welding intersecting plates at 90° with a complete-penetration double-bevel groove joint (Fig. 2-63). Full strength was needed, and this represented good practice.

Later, when a job in which plates of the same

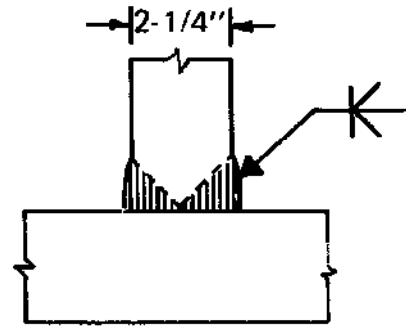


Fig. 2-63. Complete-penetration double-bevel groove joint.

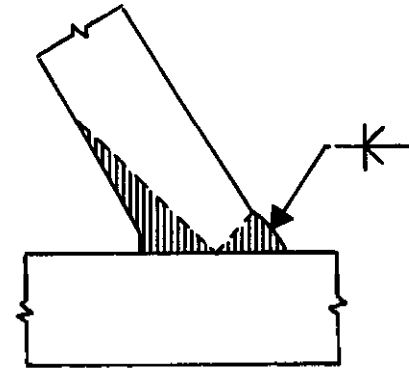


Fig. 2-64. Incorrect specifications would have resulted in the massive use of weld metal.

size intersected at 60° was undertaken, the engineer unthinkingly indicated the same welding symbol. The shop questioned these instructions. Had this not been done, the joint would have required the massive use of weld metal as shown in Fig. 2-64. This would have involved the deposition of 8.67 pounds per foot.

Figure 2-65 shows the proper way of specifying how plates intersecting at 60° are to be welded with a complete-penetration, double-bevel groove joint. A considerable saving in weld metal is effected simply by shifting the central position of the joint so that, rather than beveling 1-1/8 in. on each side, the bevel

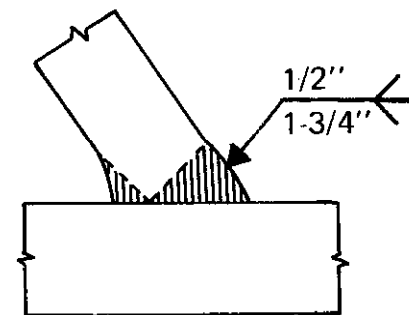


Fig. 2-65. Correct specification for joint in Fig. 2-64.



is 1/2 in. on the inside face of the joint and 1-3/4 in. on the outside face. This reduces the amount of weld metal (not including reinforcement) from 8.67 pounds per foot to 5.75 pounds per foot.

**“Mixing” of Weld Types**

The designer may have designed and sized a weld joint correctly — Fig. 2-66(a) — only to have his attention called to a change that must be made. If the change is made without taking into account its effect on the weld joint, a difficult preparation and welding situation may result. Figure 2-66(b) is illustrative. Here, the needed cutout was made on the drawing board, but the alert designer noted that the change would cause trouble by the mixing of weld

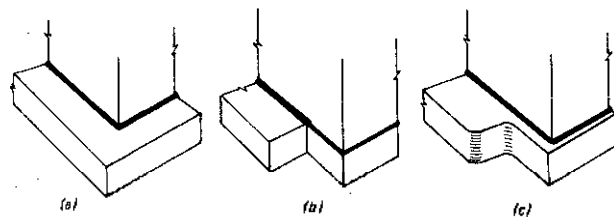


Fig. 2-66. The correctly designed joint shown in (a) could not apply when the part had to be redesigned. If the designer had not been alert, he might have specified the joint shown in (b) when making the change. This would have led to a difficult preparation and welding situation, in which a fillet weld changes to a groove weld. The design in (c) eliminates the difficulty by making possible a continuous fillet weld.

joints and weld types. The weld in Fig. 2-66(b) changes abruptly from a fillet to a groove weld. The groove weld requires cutting a bevel into the vertical plate. In welding, a smaller electrode would be required to make the stringer bead in the groove-joint portion. A simple method of joining the base to the vertical plate had been destroyed.

The joint was revised to permit continuous fillet welding as seen in Fig. 2-66(c). Not only were fabrication costs reduced, but the second design gave a much better appearance.

**Misuse of Diagnostic Tools**

When using diagnostic tools to prove a point, the designer should make certain that what he sets out to prove is correct. Failures in the final product may result if the original premises are erroneous.

An engineer believing that the size of the fillet weld between the rim and the disc of a gear, shown in Fig. 2-67(a), should be increased, set about to prove this point by photoelastic stress analysis of the joint. Taking plastic cross sections of weld (a) and his proposed larger weld (b), he obtained photoelastic stress patterns under polarized light that clearly showed a greater amount of stress at the

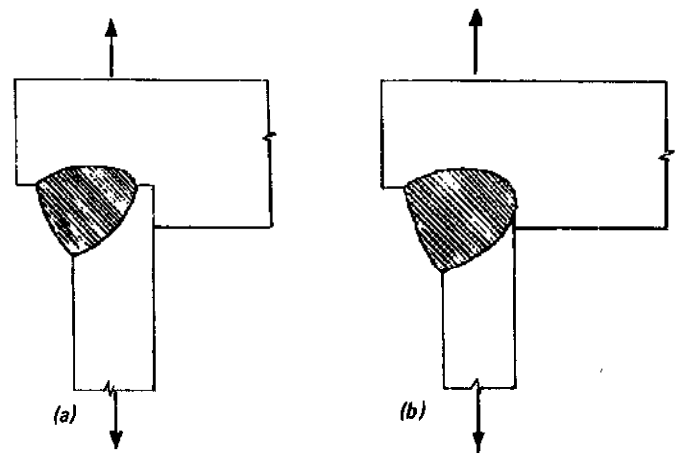


Fig. 2-67. (a) Original fillet weld between rim and disc of a gear; (b) proposed larger weld for same application.

root of weld (a) when the welds were pulled in the direction indicated by the arrows. To him this was positive proof of the superiority of the proposed larger weld.

The engineer, however, failed to recognize a very important factor. A notch becomes a stress raiser when it is normal or transverse to the flow of stress. In the joint in Fig. 2-67(a), the notch formed by the root of the weld is transverse to the direction of the applied force. This, of course, would constitute a stress raiser and would show a large fringe pattern. In the other joint, the notch at the root of the weld lies parallel to the flow of stress. Thus, its fringe pattern is less. The real difference in the patterns obtained results not from weld size, but from the fact that the notches lie at different angles. Thus, the proof offered by photoelastic stress analysis did not pertain to the really critical factor involved in the problem. The engineer was right, but for a reason he did not perceive.

**The Tendency to Overweld**

Figure 2-68 shows a weldment used in a machine tool. It is made of 3/4-in.-thick plate, and the top is

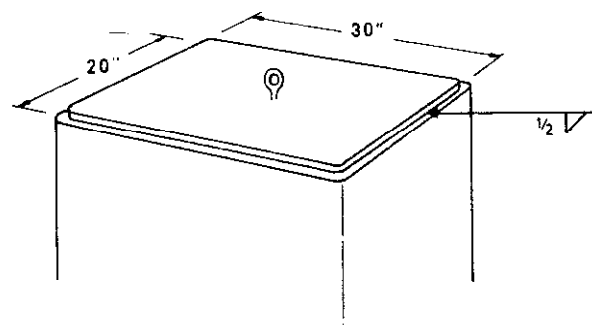


Fig. 2-68. Weldment used in a machine tool.

attached with 1/2-in. fillet welds. There is also welding inside for the attachment of stiffeners. The top serves to tie the four sides of the weldment together and give it stability. During assembly of the machine tool, the weldment will be picked up by means of a lifting lug screwed into the top plate. While the weldment is being lifted, the welds will be subjected to a load of 5000 pounds.

E70 weld metal is used, which has an allowable force of 7,420 pounds per linear inch of weld for a 1/2-in. fillet weld. There are 100 inches of fillet welding around the top, giving a total allowable lifting capacity of 742,000 pounds, or 371 tons. The weld is thus more than 148 times as strong as it need be. A 3/16-in. fillet, rather than the 1/2-in. fillet, would have superfluous load-carrying capacity, and could be produced for about one quarter the cost.

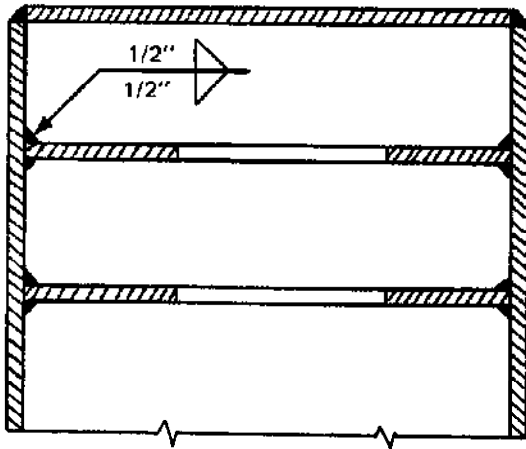


Fig. 2-69. Internal diaphragms welded to side members of weldment shown in Fig. 2-68.

Inside the same weldment, as it appears in Fig. 2-69, are 3/4-in. diaphragms welded to the 3/4-in. side members with 1/2-in. continuous fillets. A full-strength weld would require a fillet leg size equal to three-fourths the plate thickness. Since  $3/4 \times 3/4 = 9/16$ , the 1/2-in. fillet welds are almost full-strength welds. With this amount of welding on these diaphragms, it should be possible to weld attaching

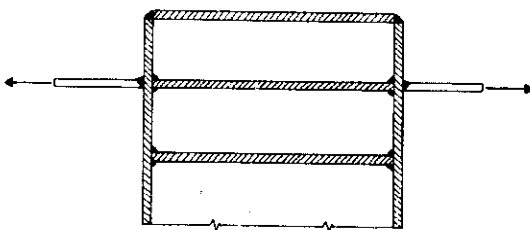


Fig. 2-70. Theoretical test of weldment in Fig. 2-69.

plates on the outside of the weldment in line with the internal diaphragms (Fig. 2-70), place the whole assembly in a huge tensile-testing machine, and pull it apart without breaking the welds.

This weldment, of course, will never be subjected to such a load. In fact there is no way to develop a tensile force on this joint, because there is no plate adjacent to the diaphragm. Intermittent fillet welds of 1/4-in. size would be sufficient.

### Failure To See The Whole Picture

In redesign work, a disadvantage of designing one part at a time is that full advantage may not be taken of the redesign: the over-all picture escapes the engineer.

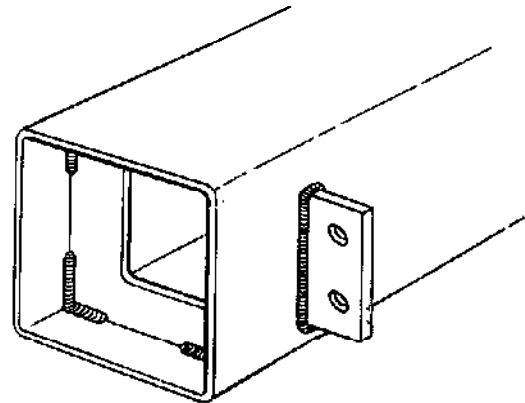


Fig. 2-71. Weldment designed from cast housing for earth tamper.

The weldment illustrated in Fig. 2-71 is a redesign of a cast housing for an earth tamper. Cast designs are usually broken down into units that are bolted together. The original casting had a pair of brackets on the sides of the housing to which handles were bolted. Figure 2-71 reveals that a similar pair of brackets was welded on, imitating unnecessarily a needed provision in the cast design. There is, of course, no point in bolting the handles to the brackets. They can be welded directly to the housing.

### The Specification of Intermittent Welds

The crown of the press shown in Fig. 2-72 has a variable depth. The designer determines that intermittent fillet welds are adequate for the web-to-flange connections and so specifies. The weldor follows the instructions as to length and distance apart for the intermittent welds. In service, the crown of one of the presses deforms. Investigation reveals that the web has cracked, starting at point (x) in Fig. 2-72(a) where the flange changes direction. This critical point had, by chance, been a skip point in the weldor's sequence, and no intermittent

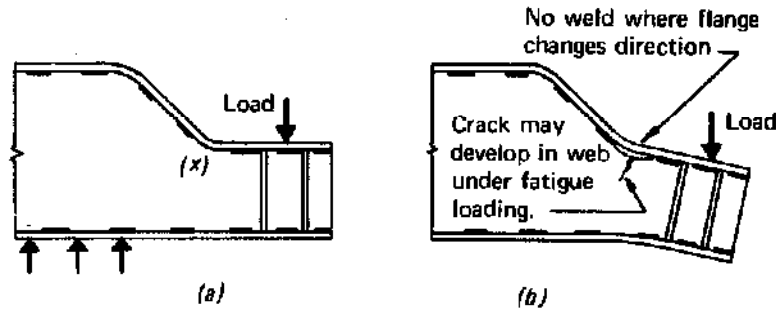


Fig. 2-72. The placement of intermittent fillet welds can be critical.

fillets had been placed there.

In service, the upper flange of the crown had pulled away from the web at point (x) and caused the web to undergo substantial plastic yielding. Since the flange was free to pull out and could not act to resist bending, the web was forced to carry bending stresses that exceeded its design capacity. Under repeated loading, such high bending stress in the web resulted in a fatigue crack. The presence of a weld of adequate size at this critical point would have prevented the failure.

**Overworked Members**

The weldment in Fig. 2-73(a) appeared adequate for the loads. The 6-in.-diameter tube in the center was the backbone of the structure and helped to maintain alignment of parts during fabrication. In service, the weldment performed satisfactorily until it encountered an unexpected torsional load, but one that experience showed could occur occasionally.

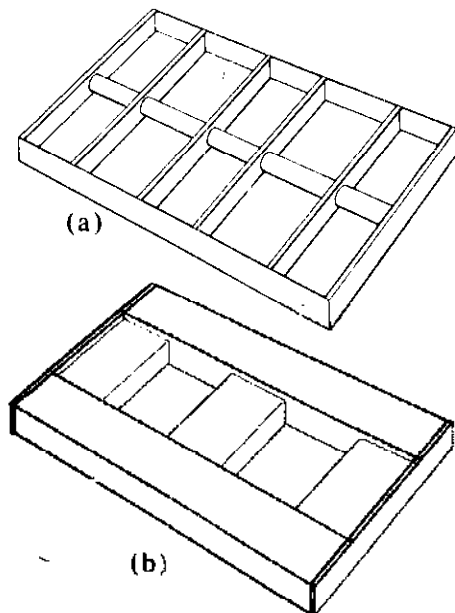


Fig. 2-73. (a) Weldment failed at fillet welds joining tube to ribs under severe torsional load; (b) suggested redesign

When this happened, the weldment failed at the fillet welds joining the tube to the ribs.

A designer might have been tempted to increase the size of the fillet — and continue to increase the size until the weldment no longer failed in service. Analysis of the problem, however, indicates that the ribs give little resistance to torsion. Consequently, almost all the torsional load was transferred through the fillet welds into the tube. The tube and the welds were severely overworked.

In the redesign shown in Fig. 2-73(b), the 6-in. tube and the side plates are replaced with two large horizontal channels. These and three intersecting channels form rigid box sections when joined to the flat member.

**Building in Stress Raisers**

There is no such thing as a “secondary” member in a weldment. A supposedly “unimportant” member immediately changes the conditions to which other members are subjected.

Figure 2-74 shows a clamp used to glue laminations together in building wooden arches. A steel rack is welded on to engage the movable jaw. Between the two jaws, the main frame is subjected to bending, with tension on the upper portion. Once the steel rack is welded to the frame, it becomes the

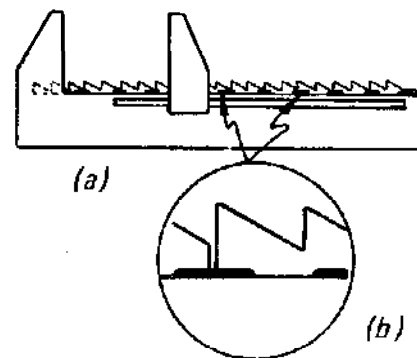


Fig. 2-74. Clamp with welded steel rack.

upper fiber of the frame. The notches of the teeth then become stress raisers and greatly reduce the strength of the clamp.

If the steel rack is supplied in short lengths, and several of these lengths are used on the clamp, a serious condition arises when a weld crosses a separation between two segments, as shown in Fig. 2-74(b). A notch is created — a crack virtually built in by the existence of the separation. Since the clamp is loaded repeatedly when in use, a type of fatigue loading may be said to exist. Under this loading, the crack between segments of the rack is propagated through the weld and into the main frame.

To prevent failure, the rack should be supplied in a single length and welded very carefully to the frame on just one end. In this manner, the rack will not become the upper fiber of the frame.

### Inefficient Transfer of Forces

As noted previously, to transfer a force efficiently, the force must have a path into the portion of the member that is parallel to the force. The frame depicted in Fig. 2-75(a) is made of channels. Triangular stiffeners are attached to the webs in the corners to help stiffen the frame.

If a horizontal force that would tend to move the frame is applied, it will enter a stiffener and eventually pass into the parts parallel to the horizontal force — the flanges of the channel. But before the transfer is effected, the web will be deflected. The stiffeners, thus, have very little value in keeping the frame rigid. If stiffeners are needed, they should be welded in line with the flanges of the channel.

### Directional Change of Forces

Forces in weldment members often change direction. In these cases, a new force component is set up, which must be provided for in the design. Figure 2-76(a) shows an abrupt change in direction of opposing forces. The component  $F_c$  is developed, which is concentrated at the point of change. Its axis bisects the angle between the two forces,  $F$ . Unless the component force is handled by some type of reinforcement, the member will tend to straighten out under the load.

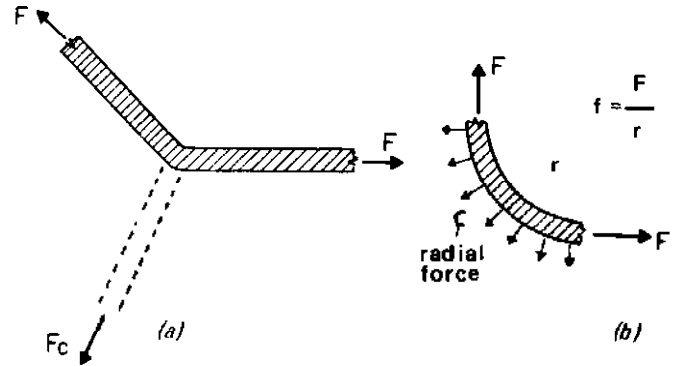


Fig. 2-76. Change of direction of opposing forces. (a) abrupt change; (b) gradual change.

If the change in direction is more gradual, as in Fig. 2-76(b), either the component force is spread over the length of the change, or a large number of component forces exists. The component can be described in pounds per linear inch. Such a condition is the exact opposite of that existing in a circular pressure vessel, where the internal hydrostatic pressure (radial) causes a tensile force (hoop stress) in the shell (Fig. 2-77).

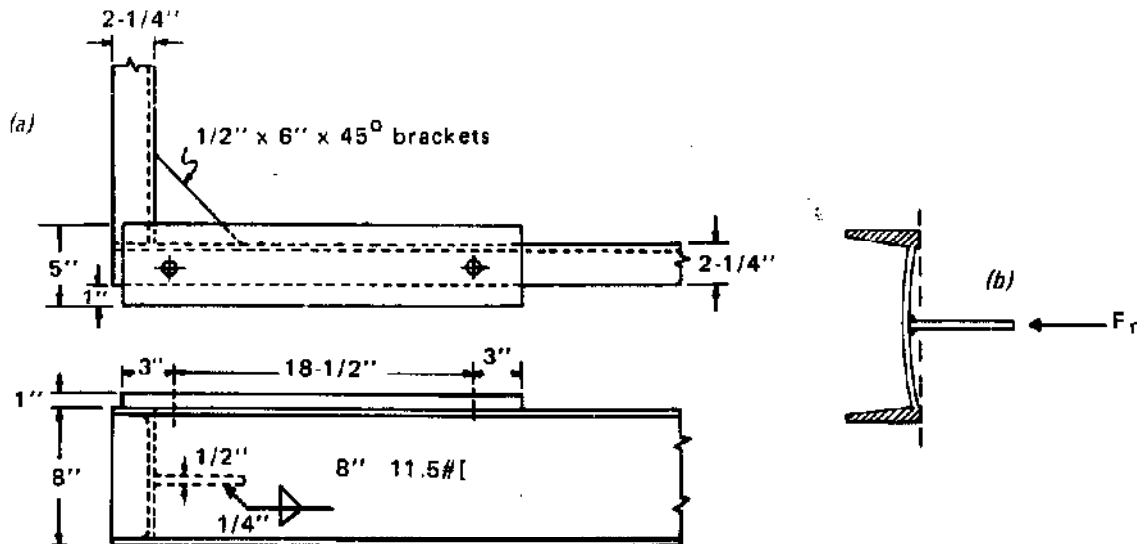


Fig. 2-75. (a) Section of frame made of channels; (b) horizontal force enters stiffener and deflects web of channel.

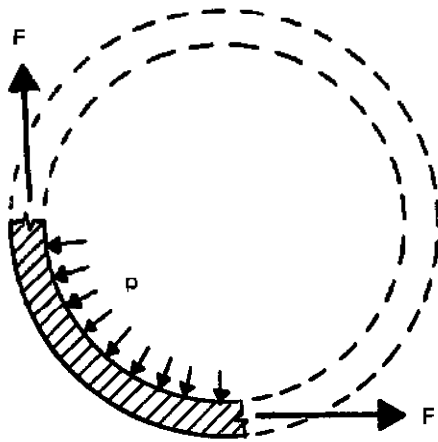


Fig. 2-77. Hoop stress in pressure vessel.

When a curved box beam is used in a press frame, it must be specially designed for the radial force on the welds. The box beam in Fig. 2-78 has tension in the inner flange. The unit radial force,  $f_r$ , is directed inward away from the supporting web plates. This force tends to pull the connecting welds apart. In addition, the neutral axis shifts inward on a curved beam, increasing both the bending force on the inner flange and the radial force.

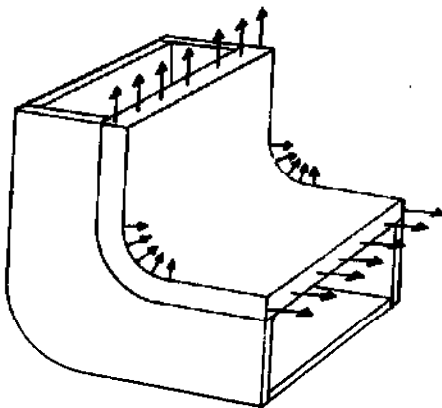


Fig. 2-78. Tension in inner flange of box beam.

### Propagating the Cover-Up for an Error

Figure 2-79 shows a gooseneck used in an earth-moving trailer. When the original production unit was field-tested, the gooseneck failed and was repaired with the patch plates. Subsequently, the patch plates were added to the goosenecks on the production floor and became a part of the accepted design. When producers of comparable types of assemblies copied the idea for reinforcing, however, what was originally no more than an expedient method of correcting an error became a method of design.

The patch-plate method of reinforcing the curved beam is not necessarily good, even though it

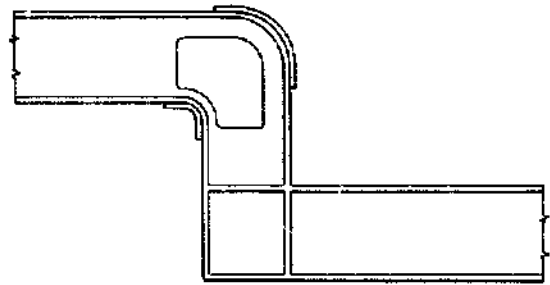


Fig. 2-79. Gooseneck used in earth-moving trailer, reinforced with patch plates.

works. A better way of attacking the problem is to analyze the piece, discover the cause of weakness, and strengthen the beam in a more professional manner, as in Fig. 2-80. Note that the neutral axis of the beam shifts inward in the curved region, greatly increasing the tensile bending stress in the inner flange. What is needed is a thicker flange in this region. The outer flange has a much lower compressive bending stress and does not need to be increased in thickness.

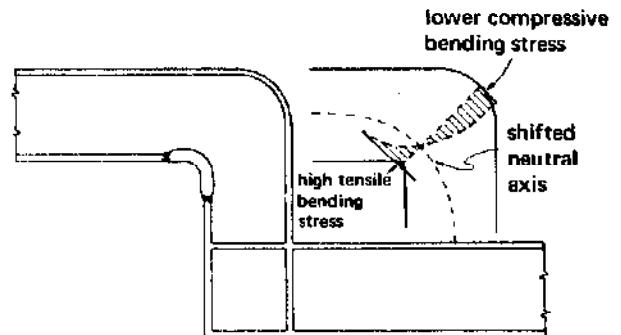


Fig. 2-80. Gooseneck reinforced in accordance with sound engineering practice.

### Incorrect Identification of the Problem

What appears to be the obvious cause of a design failure may have little to do with the problem, and no real progress toward the solution can be made until the real cause of the failure is identified. This is

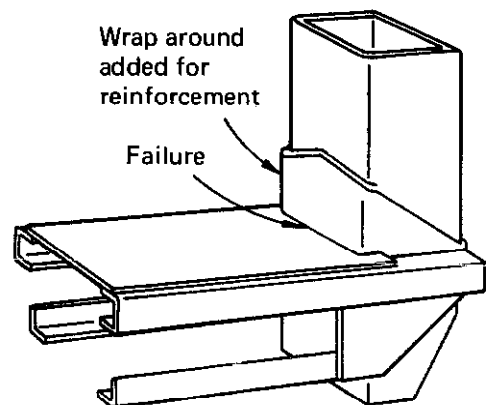
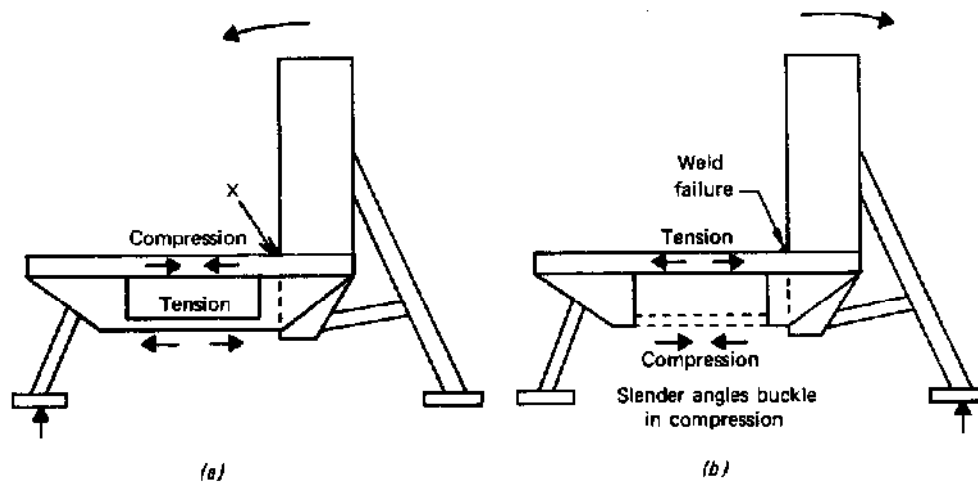


Fig. 2-81. Location of failure in frame supporting rotating truck boom.



**Fig. 2-82.** Failure analysis of frame in Fig. 2-81 suggests that lower framing members lack compressive strength. (a) Conditions with boom in far left position; (b) conditions with boom in far right position.

made clear by a consideration of the frame for supporting a rotating truck boom shown in Fig. 2-81.

In tests on the prototype, the frame was required to support a 3000-lb weight at the extreme end of the boom as it rotated through 360 degrees. The frame failed as indicated in Fig. 2-81, and the addition of reinforcing wrap-around plate, plus an increase in weld size, did not correct proneness to failure. An analysis of the varying load conditions was needed.

Figure 2-82 shows the conditions that existed during testing and in service. The two legs of the assembly are extended to the ground to provide a tripod-type support, with the truck acting as one leg. When the boom is in the far left position — Fig. 2-82(a) — the top part of the horizontal member of the frame is in compression and the bottom in tension. The slender angles making up the bottom framework can adequately resist the tensile force. The entire member, top and bottom, makes up a large beam to adequately resist bending. Any giving that might occur would tend to place the weld at (x) under compression. At this position of the boom and all other points along the left semicircle, the frame performs satisfactorily.

When the boom is in the right semicircle of travel, as in Fig. 2-82(b), a different condition exists. The top part of the frame is now in tension and the bottom part in compression. The slender bottom members buckle slightly under the compression load, and only the top portion remains to resist bending. Since this section is small, the bending stresses are transferred to the joint between the vertical and horizontal framing, which tends to

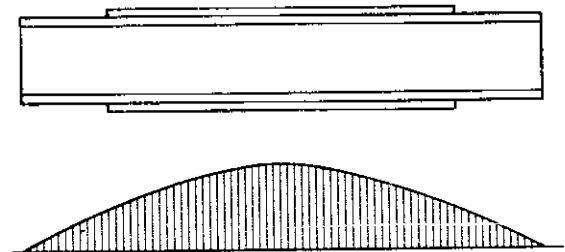
open. When these stresses exceed the strength of the weld at this point, the weld cracks.

The place for reinforcement is, thus, at the bottom of the framework. A plate added to the lower slender horizontal members provided the compression strength needed to resist buckling. The point of weakness was not the “obvious” one, but one obscured in casual investigation.

#### Use of Reinforcements to Prevent Fatigue Cracking

Cover plates have been added to the beam in Fig. 2-83 to provide added strength. As can be seen by the moment diagram, they have been extended to points where the bending stress diminishes to a relatively low value. A fatigue crack that developed in a beam flange at the end of a cover plate would be accessible for repair, and in the next fabrication the cover plate could be extended to a still lower stress region.

The same reinforcement logic would not apply to the press frame design illustrated in Fig. 2-84, since if a fatigue crack develops at a stress raiser (a), bringing the side plates in toward the center of the beam will not put the stress raisers in regions of



**Fig. 2-83.** Beam with cover plates added as strengtheners (top); bending moment diagram (bottom).

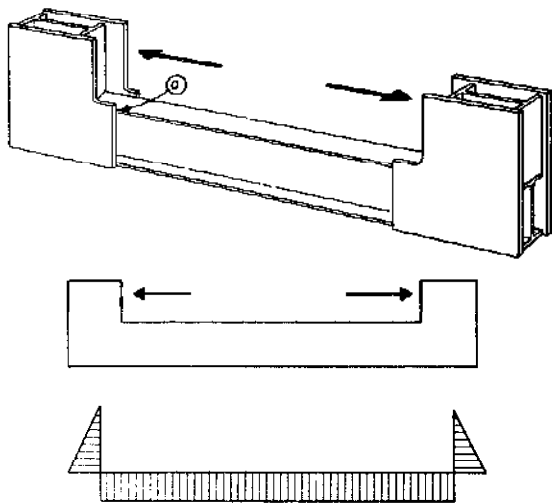


Fig. 2-84. Press frame design (top); simplified diagram showing forces (center); bending moment diagram (bottom).

lower stress. As the diagram shows, there is a constant bending moment from one end of the beam to the other. Nothing short of carrying the reinforcement the full length of the frame would effectively assure freedom from further fatigue cracking.

### Anticipating Trouble

The designer does not always know what problems might develop when the product he is working on is put to use. He may be able to weigh the advantages and disadvantages of various alternatives, one of which may offer the possibility of a design change or a repair, whereas another may not.

For example, tanks frequently leak after welding is completed. Suppose a tank is to be welded with a continuous fillet on one side to make it liquid-tight, and with intermittent fillets on the other side. On which side should the continuous fillet weld be located? If the continuous weld were on the inside of the tank, repair would require rewelding the entire outside joint, should a leak develop. But if the continuous weld were on the outside, the repair could be made at the point of the leak with very little rewelding. The choice is based not on load or service requirements, but on ease of repair, should leakage occur.

### Manufacturing Tolerances

The subassembly illustrated in Fig. 2-85(a) typifies composite design and calls for the joining of a formed channel member to a steel casting. The formed member was precut to match the shape of the casting before forming. Naturally, tolerance limits apply to the forming operation. If the channel member is formed with a pressbrake and the break occurs a bit too far out, there will be a gap between

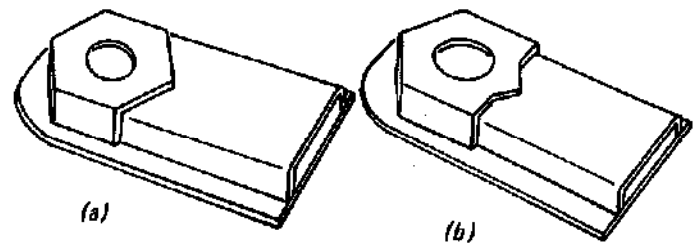


Fig. 2-85. (a) Original design showing channel joined to steel casting; (b) final design to overcome tolerance limitations.

the vertical leg of the formed section and the casting. If the break is a little too far from the outside edges of the precut plate, the vertical legs will fit tight but an abnormal gap will exist between the horizontal portion and the casting. In either case, a slight "within manufacturing tolerance" variation produces intolerably poor fitup and increases weld costs.

A slight alteration in the shape of the casting, as indicated in Fig. 2-85(b), would solve the problem. Now the position of the break can vary within tolerance limits without affecting the fitup of the joint.

## GUIDES TO FABRICATION

When designing a weldment, the designer must keep in mind the equipment, methods, and processes that are available for fabrication. For example, the size and capacity of a bending brake will determine whether a machine base can be made from formed plates or flat plates welded at the corners. If the designer is not familiar with the equipment, a source for this type of information is the personnel of the fabricating department. Keep in mind that changes made at the drawing board before production is started are much less costly than changes made after the design goes into production. On any new design, or any change in design, the shop should be consulted for ideas relative to processing and fabrication.

### Ways to Use Material Efficiently

The following are guidelines to more efficient and lower-cost fabrication:

Lay out pieces in a nesting arrangement, as in Fig. 2-86(a).

To shape flat sections, consider the alternatives of cutting from a large plate or cutting and welding bar stock, as in Fig. 2-86(b).

To reduce vibration, bend or press an indent-

ation in the plate to act as a rib, as in Fig. 2-86(c).

A flange on a flat plate increases stiffness, as in Fig. 2-86(d). Stiffeners can be made from plate or welded bar stock, as in Fig. 2-86(e).

Gain a stiffener by bending the edge of a sheet before welding to the next sheet, as in Fig. 2-86(f).

If the section has a cutout, arrange the cutout so the material can be used for pads, stiffeners, gear blanks, etc., as in Fig. 2-86(g) and Fig. 2-88(c).

Build up composite sections by welding to reduce machining and material costs as in Fig. 2-87(a).

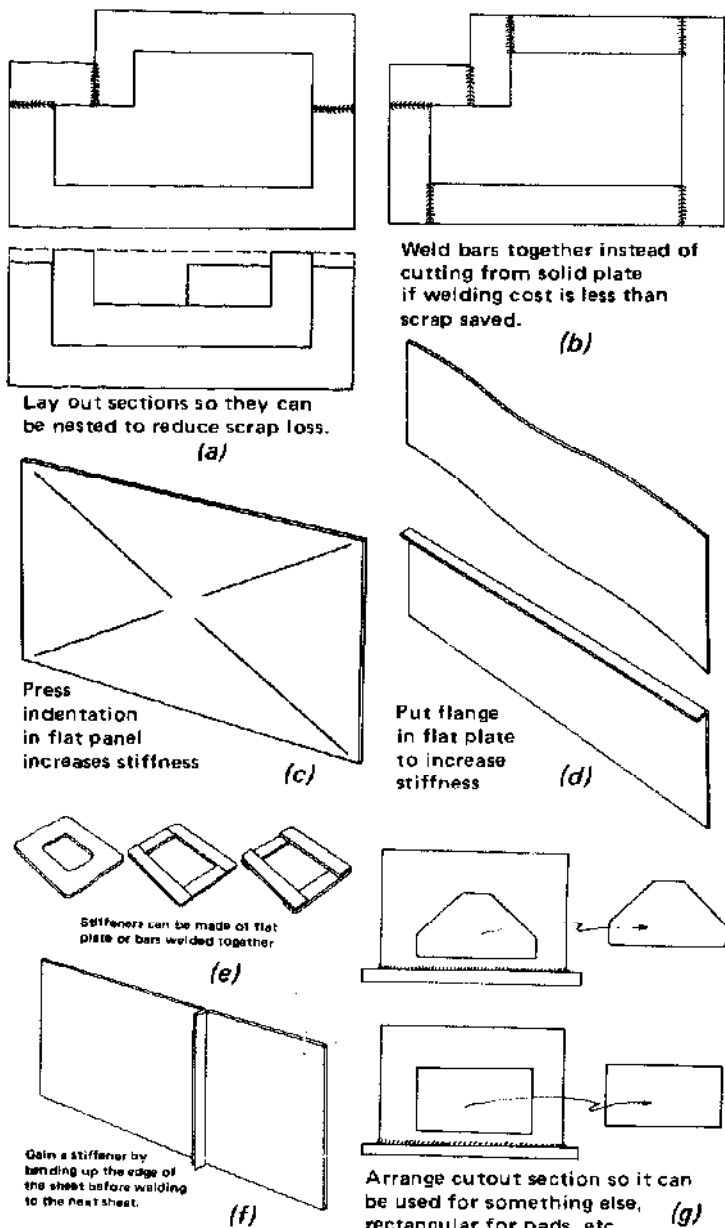
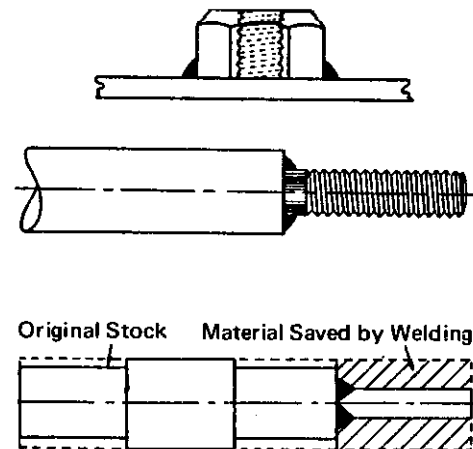
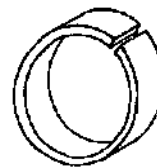


Fig. 2-86. Methods for using material efficiently.

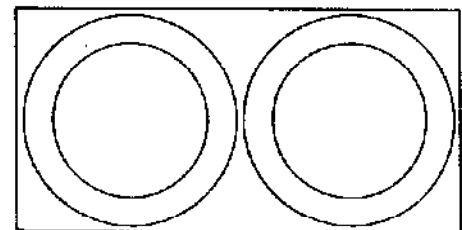


(a)



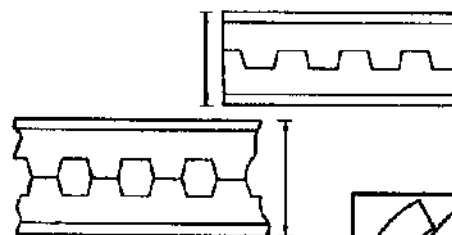
Roll rings instead of cutting from plate

(b)

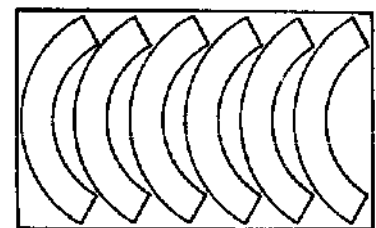


Flame cut rings from thick plate. Try to use inner disc to reduce scrap loss.

(c)



(d)



Cut segments for heavy ring from thick plate and nest so as to reduce scrap.

(e)



(f)

Fig. 2-87. Methods for avoiding wasted material.



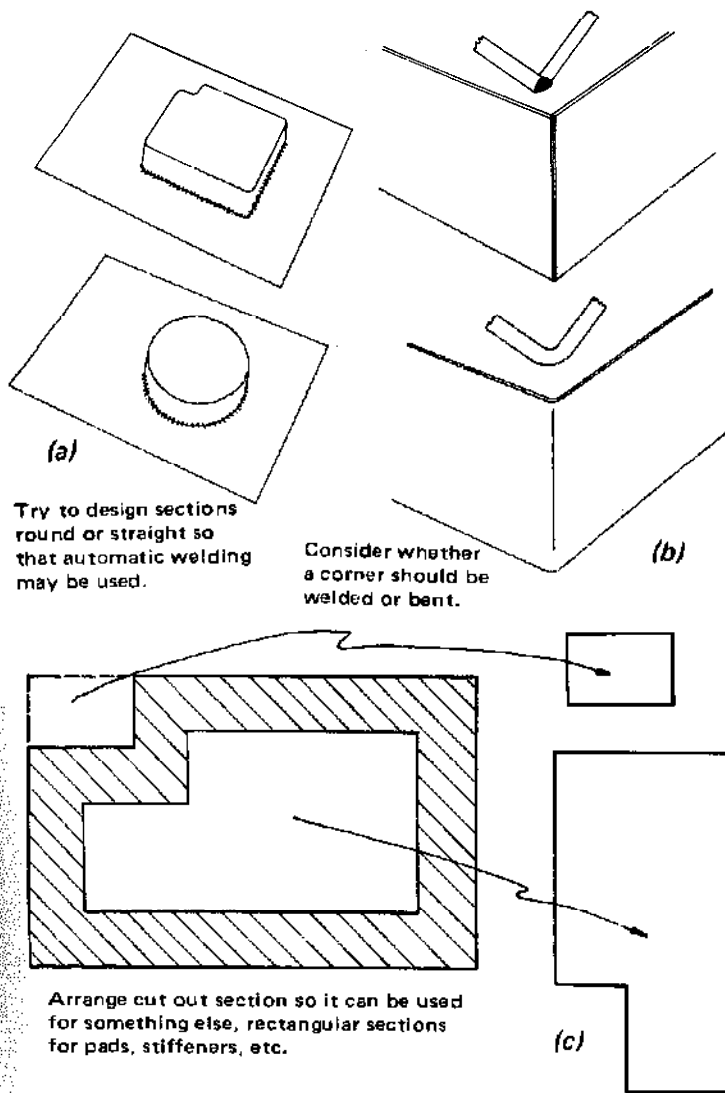


Fig. 2-88.

Roll rings from bar stock instead of cutting from heavy plate, as in Fig. 2-87(b).

When rings are cut from thick plate, plan to use the inner disc to reduce scrap loss, as in Fig. 2-87(c).

Standard rolled shapes can be cut and welded to produce a more rigid section, as in Fig. 2-87(d).

Cut segments for heavy rings from thick plate and nest to reduce scrap, as in Fig. 2-87(e) and Fig. 2-87(f).

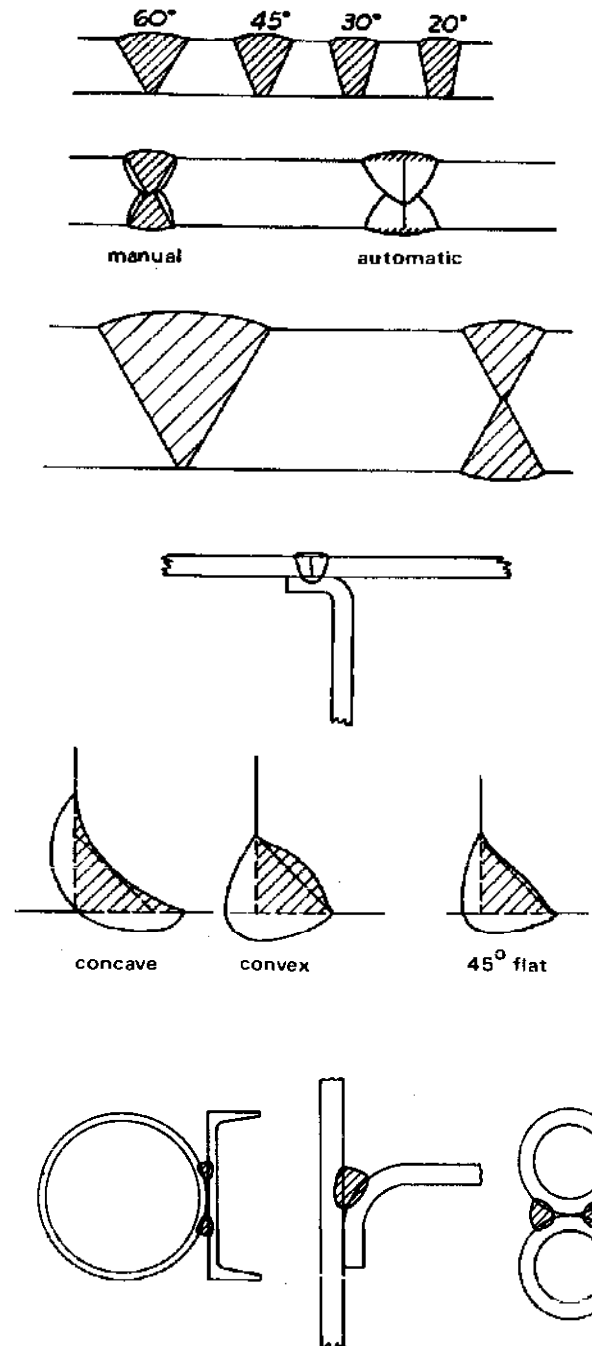
If automatic welding is to be used, design for straight or circular welds, as in Fig. 2-88(a).

Sometimes a bend can be used in place of a weld, as in Fig. 2-88(b), substantially reducing fabrication costs.

Use the minimum amount of weld metal. Shaded areas in Fig. 2-89 indicate the amount of added weld metal.

Design joints for accessibility. Figure 2-90 shows situations where accessibility is a factor in welding efficiency.

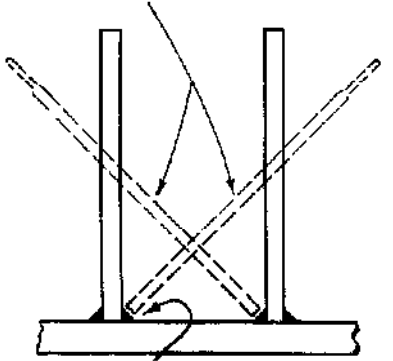
Design joints to minimize the problem of burn-through. Figure 2-91 illustrates how to avoid burnthrough problems.



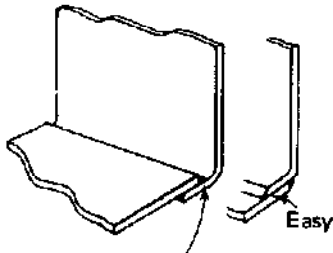
High currents and slow travel to deposit required metal may cause burn-through.

Fig. 2-89. Use minimum amount of weld metal. Shaded areas indicate added metal. Automatic welding eliminates need for beveling.

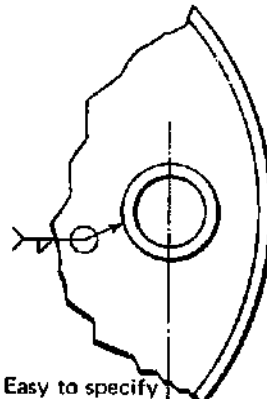
Electrode must be held close to  $45^\circ$  when making these fillets



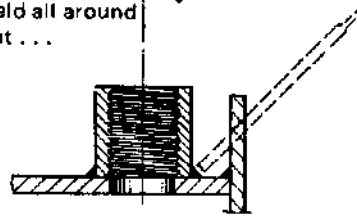
Easy to draw – but the 2nd weld will be hard to make



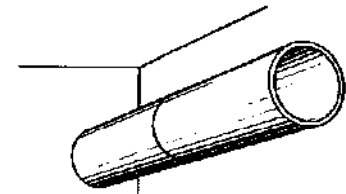
Very difficult



Easy to specify weld all around but ...



... too close to side to allow proper electrode positioning. May be ok for average work but bad for leakproof welding



Try to avoid placing pipe joints near wall so that one or two sides are inaccessible. These welds must be made with bent electrodes and mirror

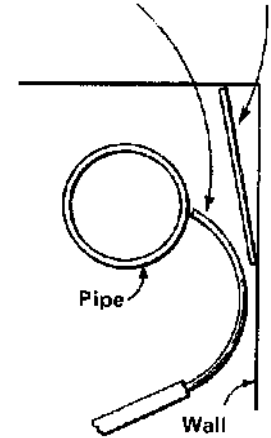


Fig. 2-90. Design for joint accessibility.

Drawing calls for flush weld

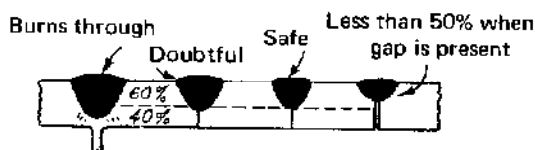


This is too much weld metal to fill in one pass. On thin metal copper backing is needed or multiple pass

This joint cannot be filled in one pass without backing – try offset corner

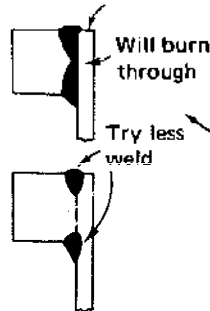


One fundamental rule to remember

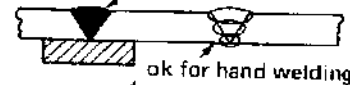


About 60% penetration is all that can be safely obtained with one pass without backing on a joint with no gap – even less when gap is present.

Corner will melt



Don't expect to fill V with one pass unless backed up



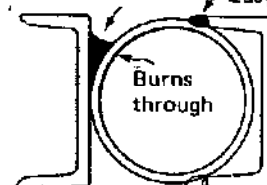
These welds look good on drawing but are tough to make

Large weld will burn through thin metal



Try to have heavy piece underneath for backing

Very difficult to fill



Looks easy on drawing but should be avoided if possible. Have joining members at right angles to pipe

Fig. 2-91. Single-pass welds requiring large amounts of metal tend to burn through, especially with automatic welding.

### Jigs and Fixtures

Jigs and fixtures should be used to decrease assembly time. In planning for assemblies and subassemblies, the designer should remember that:

The jig must have adequate rigidity to hold dimensions of weldment.

The assembly must provide easy locating points.

It must be possible to clamp and release quickly.

Jig must be loaded and unloaded easily.

Jig can sometimes be built to precamber weldment to control distortion.

Operating factor can be increased by providing two jigs, so that helper can load one while other is being welded.

It may be better to have separate jigs for tacking and final welding, or it may be better to do the entire job in one jig.

Design for the best possible fitup. Welding joints with gaps larger than necessary is costly.

Provide for clean work. Oil, rust, and dirt make for trouble in welding.

### Use of Forming

The proper use of forming can greatly reduce the cost of a weldment by eliminating welds. Several factors determine the best method of forming: thickness, over-all dimensions, number of duplicate parts, and tolerances. Cost is the final factor and is the determining factor if physical or shape requirements do not dictate the method. The cost of forming the part may be offset by a savings in machining.

Consider the following forming methods:

Press brake

Rolling

Tangent bending and contour forming

Flanging and dishing

Die stamping

Nibbling

Finally, consider possible savings by eliminating forming through the use of steel castings or forgings in conjunction with the weldment where very complicated shapes are required.

### The Advantages of Subassemblies

Once the product has been designed, the design laid out for production, and the joints selected and designed, the job is ready for assembly. In visualizing assembly procedure, the designer should break the weldment down into subassemblies several different ways to determine which, if any, will offer some of the following cost savings:

A large number of subassemblies spreads the work out so that more men can work on the job.

If stress relief of a portion of the weldment is necessary, it may be easier to do this before welding it into final assembly.

Precision welding possible with modern techniques permits machining to close tolerances before welding assemblies.

Test compartments before welding into final assembly, where required.

Subassemblies facilitate inspection.

Painting before assembly may be more economical.

Repairs, if necessary, are easier on subassemblies.

Subassemblies usually provide better access for welding.

It is easier to control distortion or locked-up stresses in subassemblies than in whole assemblies.

### SUGGESTED READING

*Welding Handbook*, Section 1, 6th ed.: Fundamentals of Welding, Chapter 8, "Design and Performance of Welded Joints," American Welding Society (1968).

*Welding Handbook*, Section 5, 5th ed.: Applications of Welding, American Welding Society (1967).

"Design and Fabrication of D6AC Steel Weldments for Aircraft Structures," R.E. Key, J.C. Collins, and H.I. McHenry, *Welding Journal*, 991-1000 (December 1967).

*Design of Welded Structures*, Omer W. Blodgett, J.F. Lincoln Arc Welding Foundation (1966).

"The Basis of Welding Design," J.E.M. Jubb, *Welding and Metal Fabrication*, Pt. 5, 359-361 (September 1966); Pt. 4, 109-110, (March 1966); Pt. 3, 462-464 (November 1965); Pt. 2 (September 1965); Pt. 1, 342-343 (August 1965).

"The Influence of the Art of Welding on the Creative Concepts of Structural Design," A. Amirikian, *Welding Journal*, 337s-343s (August 1966).

"Root Bead Welding with Y-type Consumable Inserts," C.W. Johnson, *Ibid.*, 227-281 (April 1965).

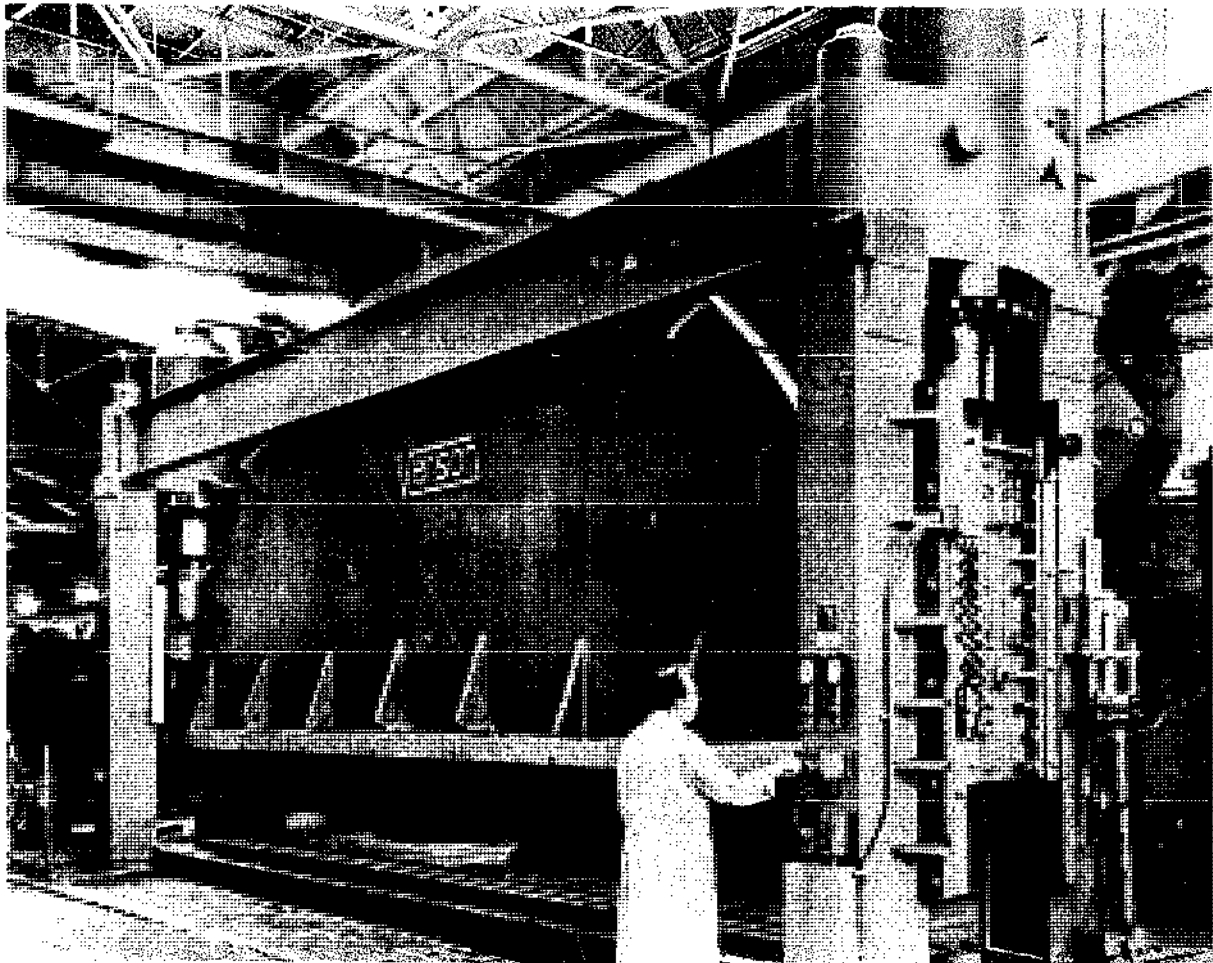
"Effect of External Geometry on Fatigue Behavior of Welded Joints," W.W. Sanders, Jr.; A.T. Derecho; and W.H. Munse, *Ibid.*, 49s-55s (February 1965).

"Welded Bascule Bridges Return to Florida," J.E. Sawyer and E.R. Estes, Jr., *Ibid.*, 27-33 (January 1964).

*Specification for Design, Fabrication and Erection of Structural Steels for Buildings*, American Institute of Steel Construction (1969).

*AWS Structural Welding Code*, D1.1-75.

*Design of Weldments*, Omer W. Blodgett, J.F. Lincoln Arc Welding Foundation (1963).



Rigidity is of primary importance in this design.

# The Design of Welded Joints

The loads in a welded steel design are transferred from one member to another through welds placed in weld joints. Both the type of joint and the type of weld are specified by the designer.

Figure 2-92 shows the joint and weld types. Specifying a joint does not by itself describe the type of weld to be used. Thus, ten types of welds are shown for making a butt joint. Although all but

welds are also widely used in machine design. Various corner arrangements are illustrated in Fig. 2-94. The corner-to-corner joint, as in Fig. 2-94(a), is difficult to assemble because neither plate can be supported by the other. A small electrode with low welding current must be used so that the first welding pass does not burn through. The joint requires a large amount of metal. The corner joint shown in Fig. 2-94(b) is easy to assemble, does not easily burn

TYPES of JOINTS		TYPES of WELDS	
		Single	Double
Butt			
Tee			
Corner			
Lap			
Edge			

Fig. 2-92. Joint designs (left); weld grooves (right).

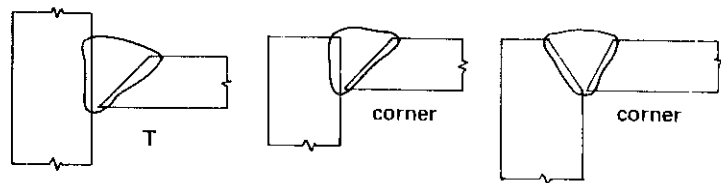


Fig. 2-93. Single-bevel weld used in T joint (left) and corner joint (center); single-V weld in corner joint (right).

two welds are illustrated with butt joints here, some may be used with other types of joints. Thus, a single-bevel weld may also be used in a T or corner joint (Fig. 2-93), and a single-V weld may be used in a corner, T, or butt joint.

## FILLET-WELDED JOINTS

The fillet weld, requiring no groove preparation, is one of the most commonly used welds. Corner

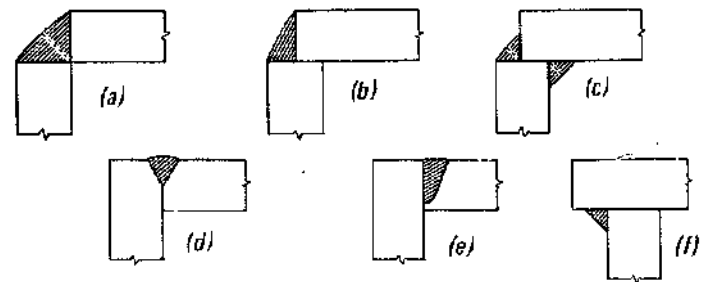


Fig. 2-94. Various corner joints.

through, and requires just half the amount of the weld metal as the joint in Fig. 2-94(a). However, by using half the weld size, but placing two welds, one outside and the other inside, as in Fig. 2-94(c), it is possible to obtain the same total throat as with the first weld. Only half the weld metal need be used.

With thick plates, a partial-penetration groove joint, as in Fig. 2-94(d) is often used. This requires beveling. For a deeper joint, a J preparation, as in Fig. 2-94(e), may be used in preference to a bevel. The fillet weld in Fig. 2-94(f) is out of sight and makes a neat and economical corner.

The size of the weld should always be designed with reference to the size of the thinner member. The joint cannot be made any stronger by using the thicker member for the weld size, and much more weld metal will be required, as illustrated in Fig. 2-95.

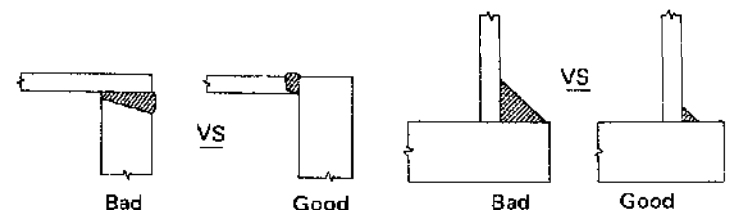


Fig. 2-95. Size of weld should be determined with reference to thinner member.

189 100%

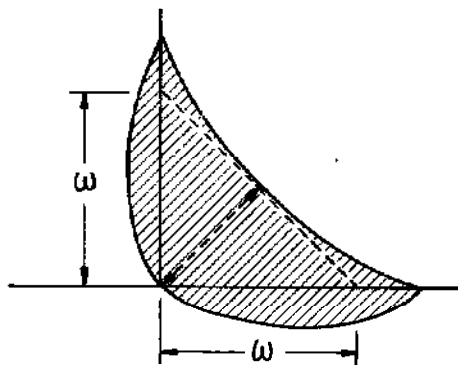


Fig. 2-96. Leg size,  $\omega$ , of a fillet weld.

In the United States, a fillet weld is measured by the leg size of the largest right triangle that may be inscribed within the cross-sectional area (Fig. 2-96). The throat, a better index to strength, is the shortest distance between the root of the joint and the face of the diagrammatical weld. As Figure 2-96 shows, the leg size used may be shorter than the actual leg of the weld. With convex fillets, the actual throat may be longer than the throat of the inscribed triangle.

### GROOVE AND FILLET COMBINATIONS

A combination of a partial-penetration groove weld and a fillet weld (Fig. 2-97) is used for many joints. The AWS prequalified, single-bevel groove T joint is reinforced with a fillet weld.

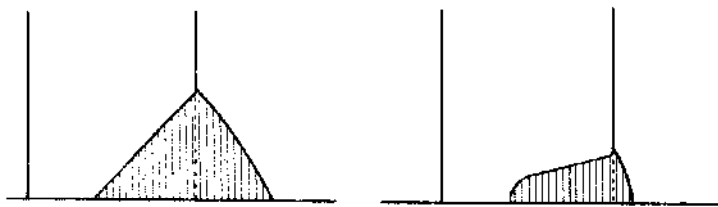


Fig. 2-97. Combined groove and fillet-welded joints.

The designer is frequently faced with the question of whether to use fillet or groove welds (Fig. 2-98). Here cost becomes a major consideration. The fillet welds in Fig. 2-98(a) are easy to apply and require no special plate preparation. They can be made using large-diameter electrodes with high welding currents, and, as a consequence, the deposition rate is high. The cost of the welds increases as the square of the leg size.

In comparison, the double-bevel-groove weld in Fig. 2-98(b), has about one-half the weld area of the fillet welds. However, it requires extra preparation

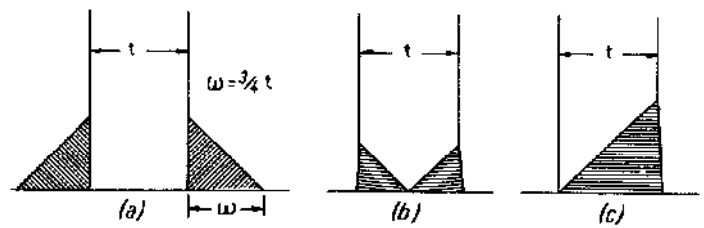


Fig. 2-98. Comparison of fillet welds and groove welds.

and the use of smaller-diameter electrodes with lower welding currents to place the initial pass without burning through. As plate thickness increases, this initial low-deposition region becomes a less important factor, and the higher cost factor decreases in significance. The construction of a curve based on the best possible determination of the actual cost of welding, cutting, and assembling, such as illustrated in Fig. 2-99, is a possible technique for deciding at what point in plate thickness the double-bevel groove weld becomes less costly. The point of intersection of the fillet curve with a groove-weld curve is the point of interest. The accuracy of this device is dependent on the accuracy of the cost data used in constructing the curves.

Referring to Fig. 2-98(c), it will be noted that the single-bevel groove weld requires about the same

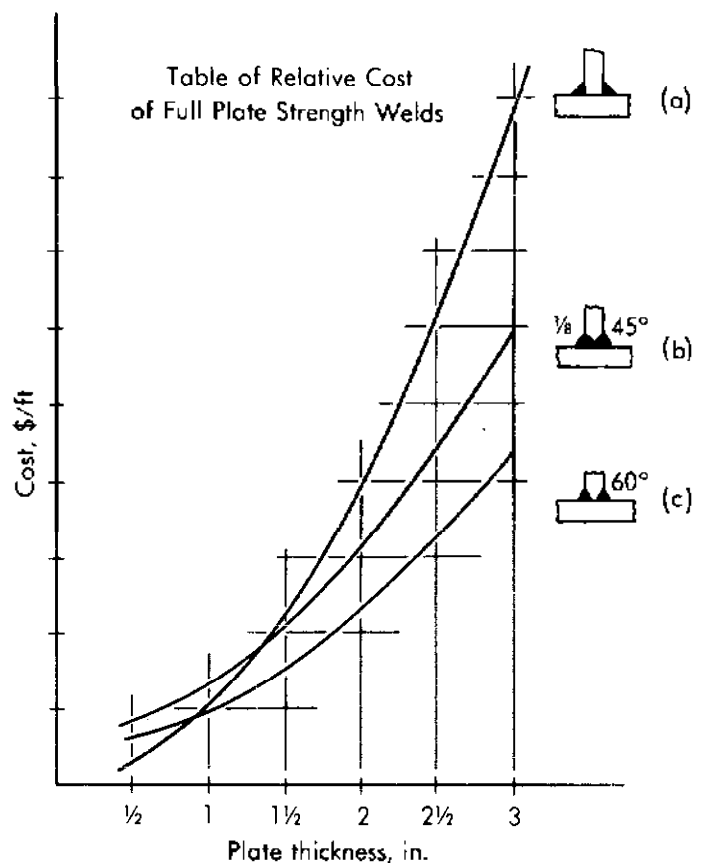


Fig. 2-99. Relative cost of welds having the full strength of the plate.

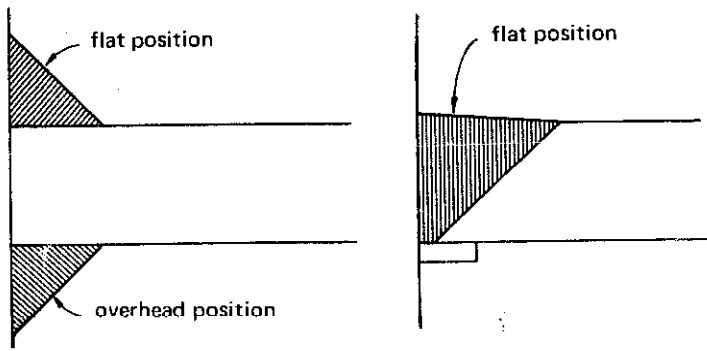


Fig. 2-100. In the flat position, a single-bevel groove joint is less expensive than fillet welds in making a T joint.

amount of weld metal as the fillet welds deposited in Fig. 2-98(a). Thus, there is no apparent economic advantage. There are some disadvantages, though. The single-bevel joint requires bevel preparation and initially a lower deposition rate at the root of the joint. From a design standpoint, however, it offers a direct transfer of force through the joint, which means that it is probably better under fatigue loading. Although the illustrated full-strength fillet weld, having leg sizes equal to three-quarters the plate thickness, would be sufficient, some codes have lower allowable limits for fillet welds and may require a leg size equal to the plate thickness. In this case, the cost of the fillet-welded joint may exceed the cost of the single-bevel groove in thicker plates. Also, if the joint is so positioned that the weld can be made in the flat position, a single-bevel groove weld would be less expensive than if fillet welds were specified. As can be seen in Fig. 2-100, one of the fillets would have to be made in the overhead position — a costly operation.

The partial-penetration double-bevel groove joint shown in Fig. 2-101 has been suggested as a full-strength weld. The plate is beveled to  $60^\circ$  on

both sides to give a penetration of at least 29% of the thickness of the plate ( $.29t$ ). After the groove is filled, it is reinforced with a fillet weld of equal cross-sectional area and shape. This partial-penetration double-bevel groove joint has 57.8% the weld metal of the full-strength fillet weld. It requires joint preparation; however, the  $60^\circ$  angle allows the use of large electrodes and high welding current.

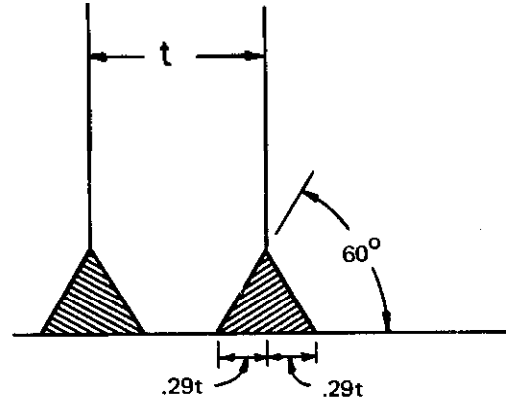


Fig. 2-101. Partial-penetration double-bevel groove joint.

Full-strength welds are not always required in the design, and economies can often be achieved by using partial-strength welds where these are applicable and permissible. Referring to Fig. 2-102, it can be seen that on the basis of an unreinforced 1-in. throat, a  $45^\circ$  partial-penetration, single-bevel groove weld requires just one-half the weld area needed for a fillet weld. Such a weld may not be as economical as the same strength fillet weld, however, because of the cost of edge preparation and need to use a smaller electrode and lower current on the initial pass.

If the single-bevel groove joint were reinforced with an equal-leg fillet weld, the cross-sectional area

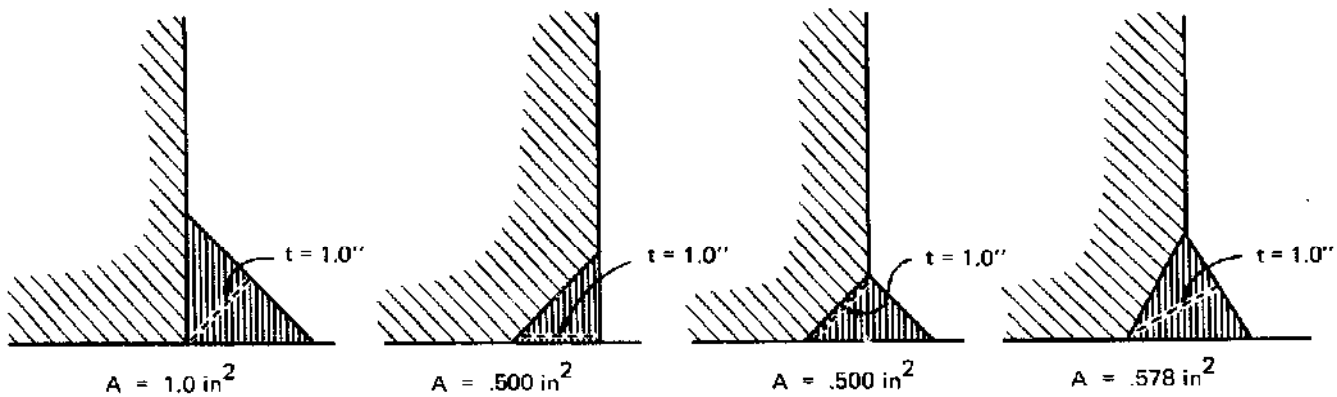


Fig. 2-102. Comparison of weld joints having equal throats.

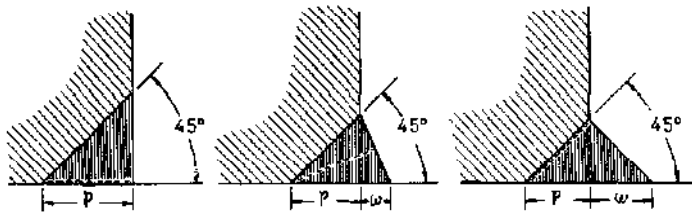


Fig. 2-103. Comparison of weld joints with and without reinforcing fillet welds.

for the same throat size would still be one-half the area of the fillet, and less beveling would be required. The single-bevel  $60^\circ$  groove joint with an equal fillet weld reinforcement for the same throat size would have an area of 57.8% of the simple fillet weld. This joint has the benefit of smaller cross-sectional area — yet the  $60^\circ$  included angle allows the use of higher welding current and larger electrodes. The only disadvantage is the extra cost of preparation.

From this discussion, it is apparent that the simple fillet-welded joint is the easiest to make, but may require excessive weld metal for larger sizes. The single-bevel  $45^\circ$ -included-angle joint is a good choice for the larger weld sizes. However, one would miss opportunities by selecting the two extreme conditions of these two joints. The joints between these two should be considered. Referring to Fig. 2-103, one may start with the single-bevel  $45^\circ$  joint without the reinforcing fillet weld, gradually add a reinforcement, and finally increase the lower leg of the fillet reinforcement until a full  $45^\circ$  fillet weld is reached. In this figure,  $p$  = depth of preparation;  $\omega$  = leg of reinforcing fillet.

When a partial-penetration groove weld is reinforced with a fillet weld, the minimum throat is used for design purposes, just as a minimum throat of a fillet or partial-penetration groove weld is used. However, as Fig. 2-104 shows, the allowable for this combination weld is not the sum of the allowable limits for each portion of the combination weld. This would result in a total throat much larger than the actual.

Figure 2-105(a) shows the effect of using the incorrect throat in determining the allowable unit

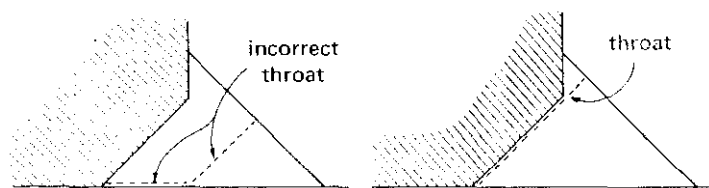


Fig. 2-104. Determining minimum throat: incorrect result (left); correct result (right).

force on a combination weld. The allowable for each weld was added separately. In Fig. 2-105(b) weld size is correctly figured upon the minimum throat.

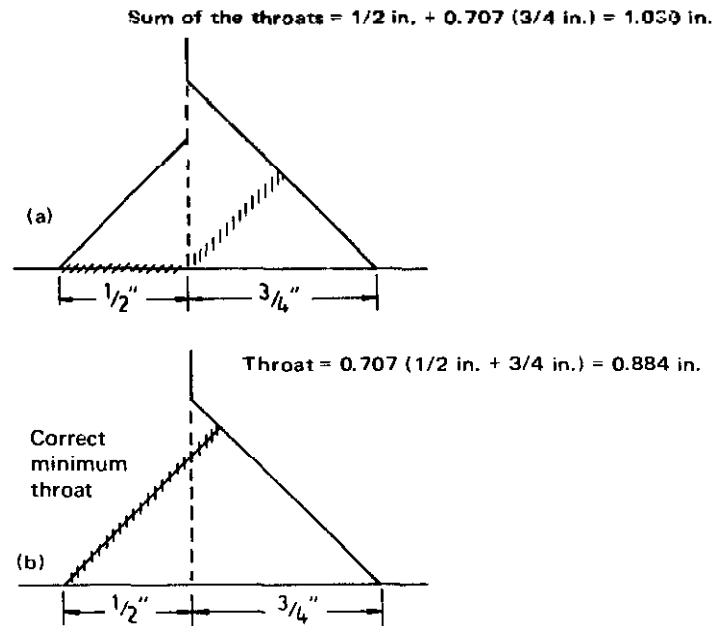


Fig. 2-105. Examples showing effect of correct and incorrect throat dimension in determining allowable load on a combination weld. In (a), the weld allowable is incorrectly figured by adding each weld separately; in (b) weld allowable is correctly figured on the minimum throat.

### Sizing of Fillets

Table 2-7 gives the sizing of fillet welds for rigidity designs at various strengths and plate thicknesses, where the strength of the weld metal matches the plate.

In machine design work, where the primary design requirement is rigidity, members are often made with extra heavy sections, so that the movement under load will be within very close tolerances. Because of the heavy construction, stresses are very low. Often the allowable stress in tension for mild steel is given as 20,000 psi, yet the welded machine base or frame may have a working stress of only 2000 to 4000 psi. The question arises as how to determine the weld sizes for these types of rigidity designs.

It is not very practical to calculate, first, the stresses resulting in a weldment when the unit is loaded within a predetermined dimensional tolerance, then to use these stresses to determine the forces that must be transferred through the connecting welds. A very practical method, however, is to design the weld for the thinner plate, making it sufficient to carry one-third to one-half the carrying capacity of the plate. This means that if the plate



**TABLE 2-7. RULE-OF-THUMB FILLET-WELD SIZES WHERE THE STRENGTH OF THE WELD METAL MATCHES THE PLATE**

Plate thickness (t)	Strength design	Rigidity design	
	Full-strength weld ( $\omega = 3/4 t$ )	50% of full-strength weld ( $\omega = 3/8 t$ )	33% of full-strength weld ( $\omega = 1/4 t$ )
Less than 1/4	1/8	1/8*	1/8*
1/4	3/16	3/16*	3/16*
5/16	1/4	3/16*	3/16*
3/8	5/16	3/16*	3/16*
7/16	3/8	3/16	3/16*
1/2	3/8	3/16	3/16*
9/16	7/16	1/4	1/4*
5/8	1/2	1/4	1/4*
3/4	9/16	5/16	1/4*
7/8	5/8	3/8	5/16*
1	3/4	3/8	5/16*
1-1/8	7/8	7/16	5/16
1-1/4	1	1/2	5/16
1-3/8	1	1/2	3/8
1-1/2	1-1/8	9/16	3/8
1-5/8	1-1/4	5/8	7/16
1-3/4	1-3/8	3/4	7/16
2	1-1/2	3/4	1/2
2-1/8	1-5/8	7/8	9/16
2-1/4	1-3/4	7/8	9/16
2-3/8	1-3/4	1	5/8
2-1/2	1-7/8	1	5/8
2-5/8	2	1	3/4
2-3/4	2	1	3/4
3	2-1/4	1-1/8	3/4

\* These values have been adjusted to comply with AWS-recommended minimums.

were stressed to one-third to one-half its usual value, the weld would be sufficient. Most rigidity designs are stressed much below these values; however, any reduction in weld size below one-third the full-strength value would give a weld too small an appearance for general acceptance.

**GROOVE JOINTS**

Figure 2-106 indicates that the root opening (R) is the separation between the members to be joined.

A root opening is used for electrode accessibility to the base or root of the joint. The smaller the angle of the bevel, the larger the root opening must be to get good fusion at the root.

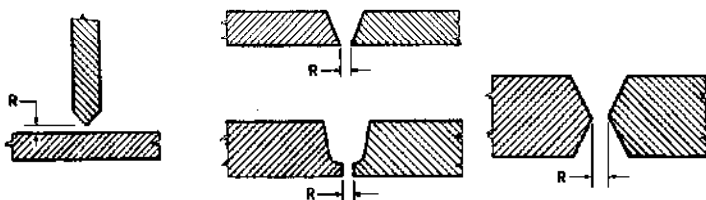


Fig. 2-106.

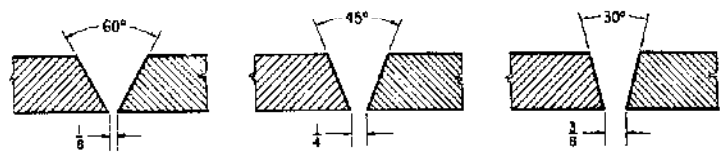


Fig. 2-107

If the root opening is too small, root fusion is more difficult to obtain, and smaller electrodes must be used, thus slowing down the welding process.

If the root opening is too large, weld quality does not suffer but more weld metal is required; this increases welding cost and will tend to increase distortion.

Figure 2-107 indicates how the root opening must be increased as the included angle of the bevel is decreased. Backup strips are used on larger root openings. All three preparations are acceptable; all are conducive to good welding procedure and good weld quality. Selection, therefore, is usually based on cost.

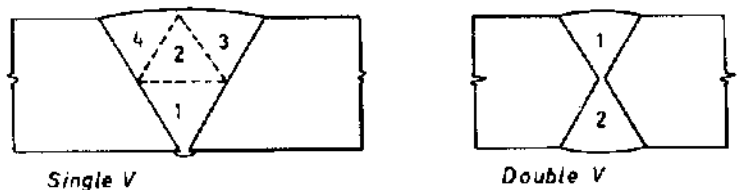


Fig. 2-108. Using double-groove joint in place of single-groove joint reduces amount of welding.

Root opening and joint preparation will directly affect weld cost (pounds of metal required), and choice should be made with this in mind. Joint preparation involves the work required on plate edges prior to welding and includes beveling and providing a root face.

Using a double-groove joint in preference to a single-groove (Fig. 2-108) cuts in half the amount of welding. This reduces distortion and makes possible alternating the weld passes on each side of the joint, again reducing distortion.

In Fig. 2-109(a), if the bevel or gap is too small, the weld will bridge the gap leaving slag at the root. Excessive back-gouging is then required.

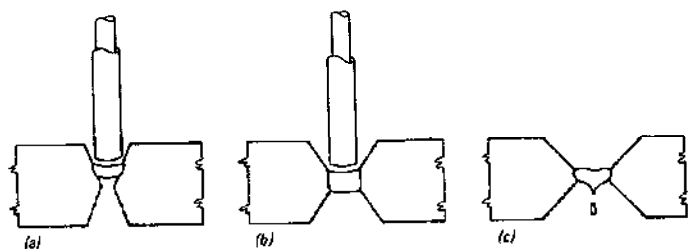


Fig. 2-109. (a) If the gap is too small, the weld will bridge the gap, leaving slag at the root; (b) a proper joint preparation; (c) a root opening too large will result in burnthrough.

Figure 2-109(b) shows how proper joint preparation and procedure will produce good root fusion and will minimize back-gouging.

In Fig. 2-109(c), a large root opening will result in burnthrough. Spacer strip may be used, in which case the joint must be back-gouged.

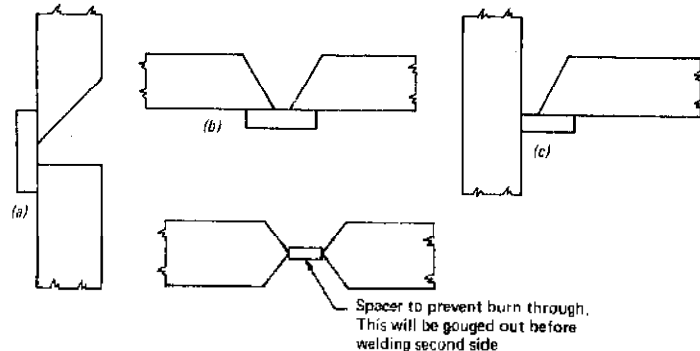


Fig. 2-110. Backup strips — (a), (b), and (c) — are used when all welding is done from one side or when the root opening is excessive, a spacer to prevent burnthrough (d) will be gouged out before welding the second side.

Backup strips are commonly used when all welding must be done from one side, or when the root opening is excessive. Backup strips, shown in Fig. 2-110(a), (b), and (c), are generally left in place and become an integral part of the joint.

Spacer strips may be used especially in the case of double-V joints to prevent burnthrough. The spacer in Fig. 2-110(d) to prevent burnthrough will be gouged out before welding the second side.

### Backup Strips

Backup strip material should conform to the base metal. Feather edges of the plate are recommended when using a backup strip.

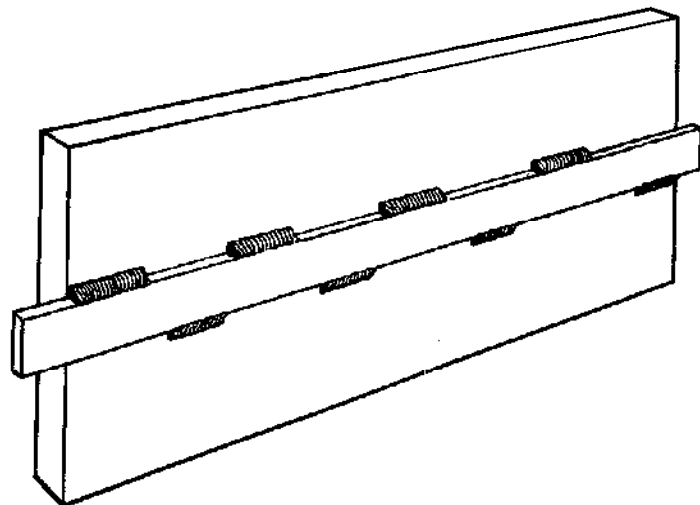


Fig. 2-111. Short intermittent tack welds should be used to hold the backup strip in place.

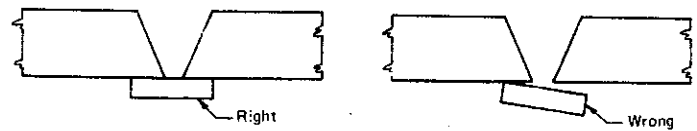


Fig. 2-112. The backup strip should be in intimate contact with both edges of plate.

Short intermittent tack welds should be used to hold the backup strip in place, and these should preferably be staggered to reduce any initial restraint of the joint. They should not be directly opposite one another (Fig. 2-111).

The backup strip should be in intimate contact with both plate edges to avoid trapped slag at the root (Fig. 2-112).

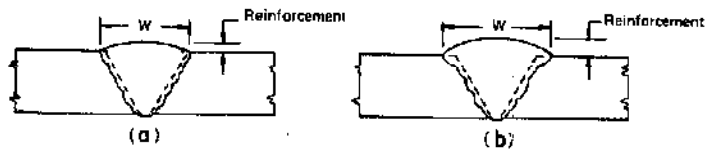


Fig. 2-113. The reinforcement on a butt joint should be minimal, as in (a).

On a butt joint, a nominal weld reinforcement (approximately 1/16" above flush) is all that is necessary, as in Fig. 2-113(a). Additional buildup, as in Fig. 2-113(b), serves no useful purpose and will increase the weld cost.

Care should be taken to keep both the width and the height of the reinforcement to a minimum.

### Edge Preparation

The main purpose of a root face (Fig. 2-114) is to provide an additional thickness of metal, as opposed to a feather edge, in order to minimize any burnthrough tendency. A feather-edge preparation is more prone to burnthrough than a joint with a root face, especially if the gap gets a little too large, (Fig. 2-115).

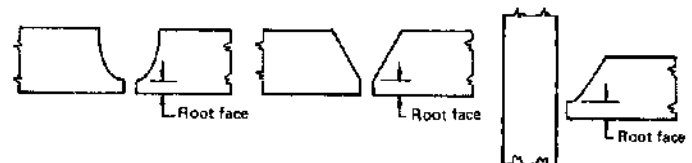


Fig. 2-114. A root face minimizes tendency to burnthrough.

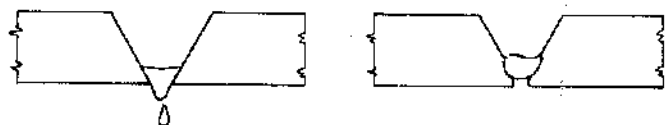


Fig. 2-115. A feather edge is more prone to burnthrough than a joint with a root face.

A root face is not as easily obtained as a feather edge. A feather edge is generally a matter of one cut with a torch, while a root face will usually require two cuts or possibly a torch cut plus machining.

A root face usually requires back-gouging if a 100% weld is required. A root face is not recommended when welding into a backup strip, since a gas pocket would be formed.

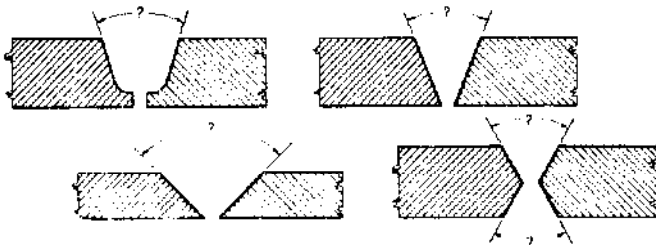


Fig. 2-116. Accessibility is gained by compromising between bevel and root opening.

Plate edges are beveled to permit accessibility to all parts of the joint and insure good fusion throughout the entire weld cross section. Accessibility can be gained by compromising between maximum bevel and minimum root opening (Fig. 2-116).

Degree of bevel may be dictated by the importance of maintaining proper electrode angle in confined quarters (Fig. 2-117). For the joint illustrated, the minimum recommended bevel is 45°.

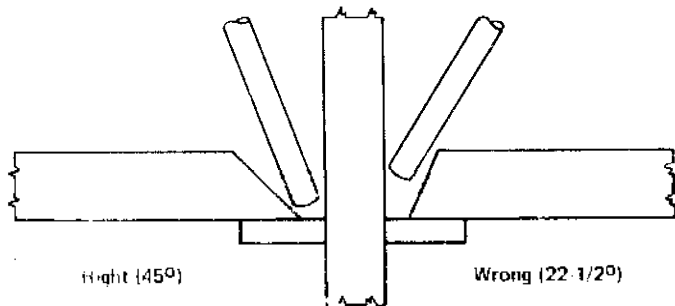


Fig. 2-117. Degree of bevel may be dictated by the need for maintaining proper electrode angle.

J and U preparations are excellent to work with, but economically they may have little to offer because preparation requires machining as opposed

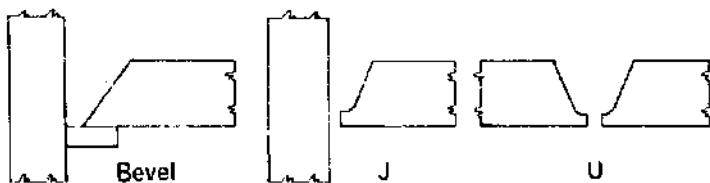


Fig. 2-118. A bevel preparation with a backup strip may be more economical than a J or U groove.

to simple torch cutting. Also a J or U groove requires a root face (Fig. 2-118) and thus back-gouging.

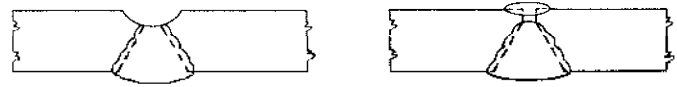


Fig. 2-119. Without back-gouging, penetration is incomplete.

To consistently obtain complete fusion when welding a plate, back-gouging is required on virtually all joints except bevel joints with feather edge. This may be done by any convenient means, grinding, chipping, or gouging. The latter method is generally the most economical and leaves an ideal contour for subsequent beads.

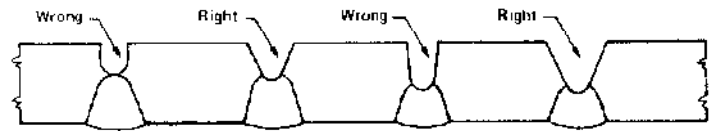


Fig. 2-120. Proper back-gouging should be deep enough to expose sound weld metal.

Without back-gouging, penetration is incomplete (Fig. 2-119). Proper back-chipping should be deep enough to expose sound weld metal, and the contour should permit the electrode complete accessibility (Fig. 2-120).

### Joint Preparation After Assembly

New provisions of the AWS Structural Welding Code, 2.9.2.5, 2.10.2.2, 2.11.2.5, 2.12.2.3, 2.13.2.5,

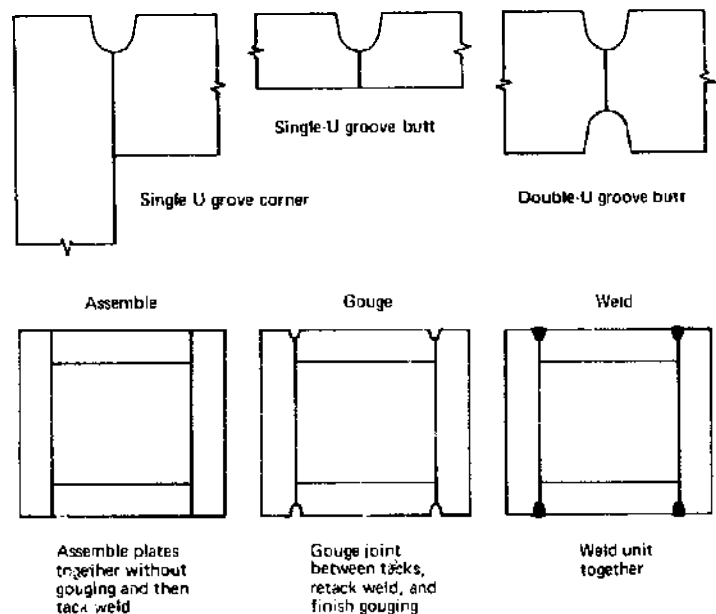
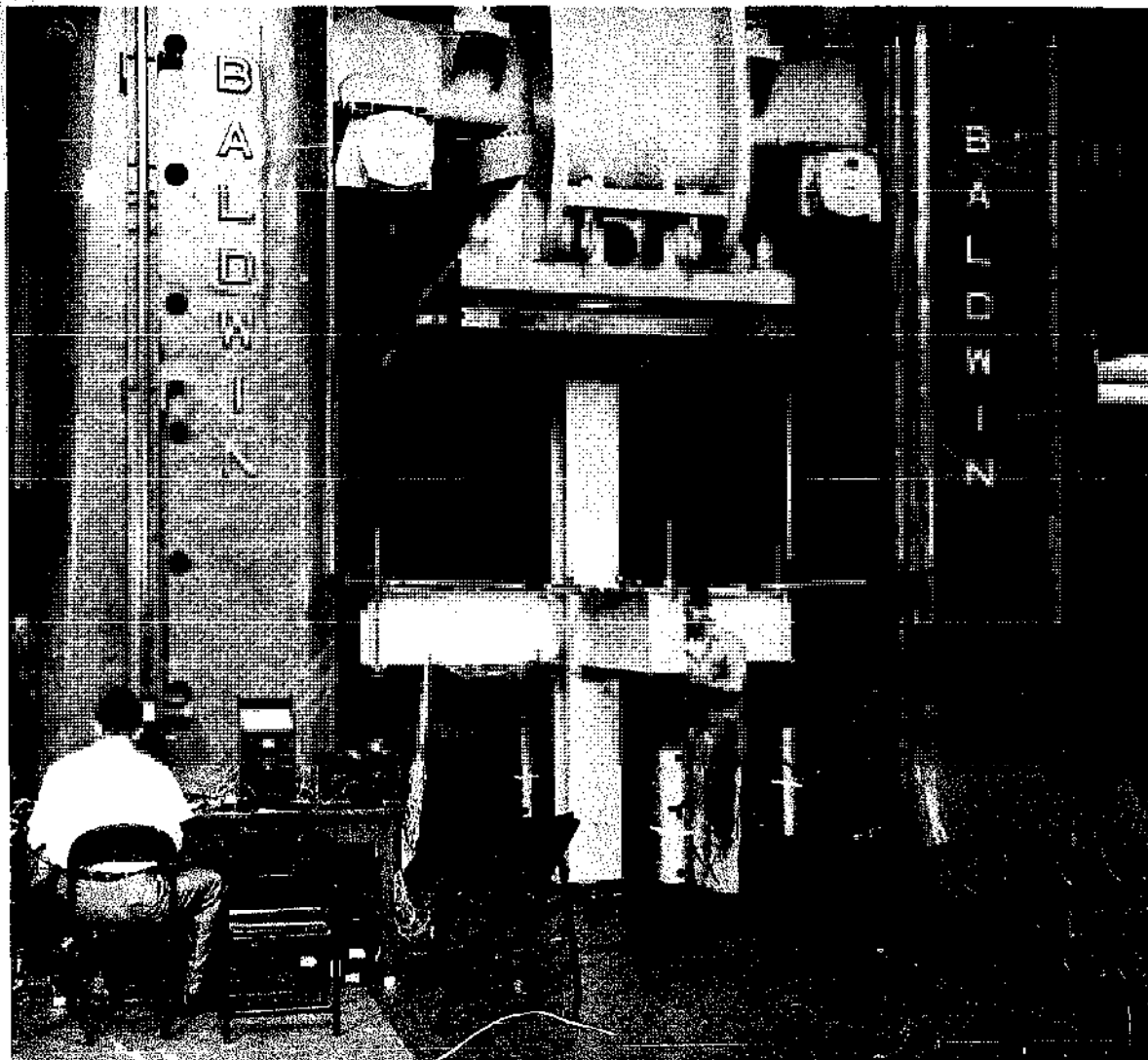


Fig. 2-121. Partial-penetration submerged-arc groove welds. U-groove joint preparation may be done either prior to or after fitting.

2.14.2.2, will be helpful to fabricators who frequently run up against a situation where assembly and tackup before gouge-preparation of U-groove joints for welding would be logical and less costly. This practice has not been forbidden in the past, but some inspectors — not having a clarification of its acceptability — have not permitted it. AWS, by

specifically noting that U-groove joints for complete-penetration and partial-penetration welds may be made “prior to or after fitting,” removes all doubt regarding acceptability. Figure 2-121 illustrates the joints where gouge-preparation of U grooves after fitup and assembly is applicable and the sequence of fabricating a column in this manner.



Preparing to test beam-to-column connections.

# Allowables for Welds

For many years, just one value was available for the allowable shear stress on fillet welds — namely, 13,600 psi for E60 weld metal. In 1961, a value of 15,800 psi was added for E70 weld metal, and both values were extended to partial-penetration groove welds. Experienced engineers reasoned that these were ultraconservative values, since the shear stress,  $\tau$ , allowable for the base metal, as defined in AISC 1.5.1.2, was:

$$\tau = 0.40 \sigma_y \text{ where}$$

$\sigma_y$  is the tensile yield strength of the material.

Even this formula is conservative. The shear strength of structural plate has been given values that range from 2/3 to 3/4 of its tensile strength, but the above shear allowable is only 2/3 of the tensile allowable ( $2/3 \times .60 \sigma_y = 0.40 \sigma_y$ ). In addition, this shear stress value was primarily established for the webs in beams and girders to prevent the buckling of the web by the diagonal compressive forces produced by shear loading — a condition considerably different from that leading to weld failure under shear loading.

It would seem logical, therefore, that a more realistic value for the shear allowable for weld metal would be obtained if the formula for plate were used.

With these considerations in mind, AISC and AWS established the allowable shear value for weld metal in a fillet or partial-penetration bevel groove weld at:

$$\tau = 0.30 \text{ (Electrode Min. Specified T.S.)}$$

and set out to prove its validity with a thorough series of fillet weld tests conducted by a special Task Committee of AISC and AWS. The results of these tests proved conclusively that the shear allowables could be increased with safety. The new allowables shown in Table 2-8 were adopted by AISC and the AWS Structural Welding Code, Section 8 Buildings and Section 10, Tubular Structures. Section 9, Bridges use 10% lower.

TABLE 2-8  
ALLOWABLE LOAD FOR VARIOUS SIZES  
OF FILLET WELDS

Strength Level of Weld Metal (EXX)						
	60	70	80	90	100	110
Allowable Shear Stress on Throat of Fillet Weld or Partial-Penetration Groove Weld (1000 psi)						
$\tau =$	18.0	21.0	24.0	27.0	30.0	33.0
Allowable Unit Force on Fillet Weld (1000 psi/linear in.)						
$f =$	12.73 $\omega$	14.85 $\omega$	16.97 $\omega$	19.09 $\omega$	21.21 $\omega$	23.33 $\omega$
Leg Size $\omega$ (in.)	Allowable Unit Force for Various Sizes of Fillet Welds (1000 Lbs./Linear in.)					
1	12.73	14.85	16.97	19.09	21.21	23.33
7/8	11.14	12.99	14.85	16.70	18.57	20.41
3/4	9.55	11.14	12.73	14.32	15.92	17.50
5/8	7.96	9.28	10.61	11.93	13.27	14.58
1/2	6.37	7.42	8.48	9.54	10.61	11.67
7/16	5.57	6.50	7.42	8.35	9.28	10.21
3/8	4.77	5.57	6.36	7.16	7.95	8.75
5/16	3.98	4.64	5.30	5.97	6.63	7.29
1/4	3.18	3.71	4.24	4.77	5.30	5.83
3/16	2.39	2.78	3.18	3.58	3.98	4.38
1/8	1.59	1.86	2.12	2.39	2.65	2.92
1/16	.795	.930	1.06	1.19	1.33	1.46

## ALLOWABLE SHEAR AND UNIT FORCES

Table 2-8 presents the allowable shear values for various weld-metal strength levels and the more common fillet weld sizes. These values are for equal-leg fillet welds where the effective throat ( $t_e$ ) equals  $.707 \times$  leg size ( $\omega$ ). With the table, one can calculate the allowable unit force ( $f$ ) per lineal inch for a weld size made with a particular electrode type. For example, calculating the allowable unit force ( $f$ ) per inch for a 1/2-in. fillet weld made with an E70 electrode:

$$f = .707 \omega \times \tau$$

$$f = .707 \omega \times (.30) \text{ (EXX)}$$

$$f = .707 \times 1/2 \text{ in.} \times .30 \times 70,000 \text{ psi}$$

$$f = 7,420 \text{ psi/lineal in.}$$

Note that Table 2-8 lists the allowable shear stress ( $\tau$ ) for the commonly used E70 weld metal as 21,000 psi ( $0.30 \times 70$ ). This 33% increase over the

former allowable of 15,800 psi permits a 25% reduction in weld size while maintaining the same allowable in the joint. Thus, the shear strength of a 3/8-in. fillet weld based on the new allowable equals that of a 1/2-in. fillet with the old allowable.

Weld cost varies with weld volume and thus weld area. Since the cross-sectional area of a weld varies as the square of its leg size, the 25% reduction in weld size (1/2-in. to 3/8-in.) will produce a 44% reduction in the amount of weld metal required for the joint. A 1/2-in. fillet that formerly cost \$100 to make can now be replaced with the same length of 3/8-in. fillet costing \$56.

### Credit for Submerged-Arc Penetration

An AISC provision (1.14.7) gives limited credit for penetration beyond the root of a fillet weld made with the submerged-arc process. Since penetration increases the effective throat thickness of the weld, (Fig. 2-122), the provision permits an increase in this value when calculating weld strength. For

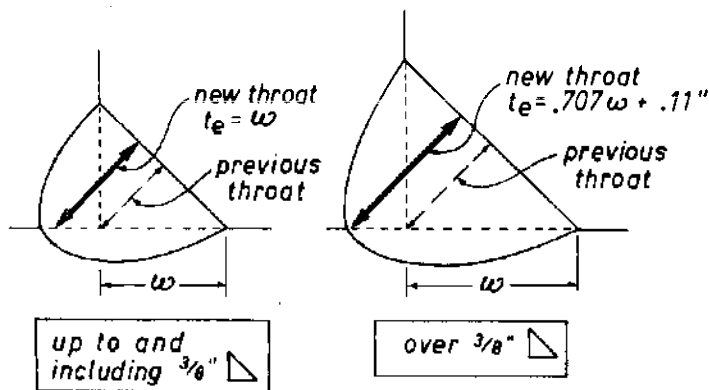


Fig. 2-122. AISC gives credit for penetration beyond the root of fillets made with the submerged-arc process.

fillet welds 3/8-in. and smaller, the effective throat ( $t_e$ ) is now equal to the leg size of the weld ( $\omega$ ):

$$\text{when } \omega \leq 3/8\text{-in. then } t_e = \omega$$

For submerged-arc fillet welds larger than 3/8-in., the effective throat of the weld is obtained by adding 0.11 to .707  $\omega$ :

$$\text{when } \omega > 3/8\text{-in. then } t_e = 0.707 \omega + 0.11 \text{ in.}$$

The cost-reduction potential of this change is substantial. The 41% increase in effective weld throat for fillets up to and including 3/8-in., combined with the 33% increase in allowable shear stress, means that the allowable strength of these welds is increased 88%. Or a weld size can be almost cut in half and still have the same allowable unit force per inch.

For example, consider the allowable unit force for a 1/2-in. E70 weld, 8 in. long, made under the old specifications and a 1/4-in. E70 weld, 8-1/2 in. long, made with the new:

$$f_{1/2} = 1/2 \times 0.707 \times 15.8 \times 8 = 44,600 \text{ lbs.}$$

$$f_{1/4} = 1/4 \times 21 \times 8-1/2 = 44,600 \text{ lbs.}$$

The higher allowable shear stress and penetration adjustment permit a designer to obtain a given weld strength with only 27% of the weld metal previously required. Obviously, costs are substantially reduced.

The benefit from penetration is not as large if the weld size, after using the higher allowables, is still greater than 3/8-in. but it is still substantial.

Note that allowance for penetration applies only to fillet welds made by the submerged-arc welding process. Electrode positive polarity will provide this penetration.

### Minimum Fillet-Weld Size

The minimum sizes of fillet welds for specific material thicknesses are shown in Table 2-9. In the AISC Specifications and AWS Structural Welding Code, this table has been expanded to include

TABLE 2-9  
MINIMUM FILLET WELD SIZE ( $\omega$ ) AISC 1.17.5

Material Thickness of Thicker Part Joined (in.)	Minimum Fillet Size, (in.)
to 1/4 incl.	1/8
over 1/4 to 1/2	3/16
over 1/2 to 3/4	1/4
over 3/4 to 1-1/2	5/16
over 1-1/2 to 2-1/4	3/8
over 2-1/4 to 6	1/2
over 6	5/8

material less than 1/4-in. thick and 1/8-in. fillets. Where materials of different thicknesses are being joined, the minimum fillet weld size is governed by the thicker material, but this size does not have to exceed the thickness of the thinner material unless required by the calculated stress.

### Allowables for Weld Metal – A Handy Reference

Table 2-10 summarizes the AWS Structural Welding Code and AISC allowables for weld metal. It is intended to provide a ready reference for picking the proper strength levels for the various types of steels. Once this selection has been made, the allowables can be quickly found for the various types of welds that may be required for the specific assembly.

**TABLE 2-10. PERMISSIBLE STRESS OF WELD**

Type of Weld and Stress	Permissible Stress	Required Strength Level (1)(2)
<b>COMPLETE PENETRATION GROOVE WELDS</b>		
Tension normal to the effective throat.	Same as base metal.	Matching weld metal must be used. See Table 1.17.2.
*Compression normal to the effective throat.	Same as base metal.	
Tension or compression parallel to the axis of the weld.	Same as base metal.	
Shear on the effective throat.	.30 x Nominal Tensile strength of weld metal (ksi) except stress on base metal shall not exceed .40 x yield stress of base metal.	Weld metal with a strength level equal to or less than matching weld metal may be used.
<b>PARTIAL PENETRATION GROOVE WELDS</b>		
*Compression normal to effective throat.	Same as base metal.	Weld metal with a strength level equal to or less than matching weld metal may be used.
Tension or compression parallel to axis of the weld.	Same as base metal.	
Shear parallel to axis of weld.	.30 x Nominal Tensile strength of weld metal (ksi) except stress on base metal shall not exceed .40 x yield stress of base metal.	
Tension normal to effective throat. (4)	.30 x Nominal Tensile strength of weld metal (ksi) except stress on base metal shall not exceed .60 x yield stress of base metal.	
<b>FILLET WELDS (3)</b>		
Stress on effective throat, regardless of direction of application of load.	.30 x Nominal Tensile strength of weld metal (ksi) except stress on base metal shall not exceed .40 x yield stress of base metal.	Weld metal with a strength level equal to or less than matching weld metal may be used.
Tension or compression parallel to the axis of weld.	Same as base metal.	
<b>PLUG AND SLOT WELDS</b>		
Shear parallel to faying surfaces.	.30 x Nominal Tensile strength of weld metal (ksi) except stress on base metal shall not exceed .40 x yield stress of base metal.	Weld metal with a strength level equal to or less than matching weld metal may be used.

\* AISC allows lower strength weld metal to be used.

- (1) For matching weld metal, see AISC Table 1.17.2 or AWS Table 4.1.1 or table below.
- (2) Weld metal, one strength level stronger than matching weld metal, will be permitted.
- (3) Fillet welds and partial penetration groove welds joining the component elements of built up members (ex. flange to web welds) may be designed without regard to the axial tensile or compressive stress applied to them (note on AISC Table 1.5.3).
- (4) Cannot be used in tension normal to their axis under fatigue loading (AWS 2.5). AWS Bridge prohibits their use on any butt joint (9.12.1.1), or any splice in a tension or compression member (9.17), or splice in beams or girders (9.21), however, are allowed on corner joints parallel to axial force of components of built up members (9.12.1.2(2)). Cannot be used in girder splices (AISC 1.10.8).

Weld Metal	Matching Weld Metal and Base Metal					
	60 (or 70)	70	80	90	100	110
Type of Steel	A36 A53 Gr B A106 Gr B A131 A139 Gr B A375 A381 Gr Y35 A500 A501 A516 Gr 55, 60 A524 A529 A570 Gr D,E A573 Gr 65 API 5L Gr B ABS Gr A,B,C,CS,D,E,R	A242 A441 A537 Class 1 A516 Gr 65, 70 A572 Gr 42-60 A588 A618 API 5LX Gr 42 ABS Gr AH, DH, EH	A537 Class 2 A572 Gr 65		A514 A517 2-1/2" & over	A514 A517

**AISC FATIGUE ALLOWABLES**

The AISC specifications include fatigue allowables, which also are accepted by AWS Section 8, Building Code. Therefore, designers have something other than the AWS Section 10, Bridges, with its automatic 10% lower allowable design stress, on which to base fatigue considerations.

Although developed for structures, these allowables are adaptable to the fatigue problems of

machine-tool makers, equipment manufacturers, and others who fabricate with welded steel. They cover a wide range of welded joints and members, and, not only provide values for various types of welds, but also take into consideration the strength of members attached by welds.

The conventional method of handling fatigue is based on a maximum fatigue stress. The AISC-suggested method is based on the range of stress.

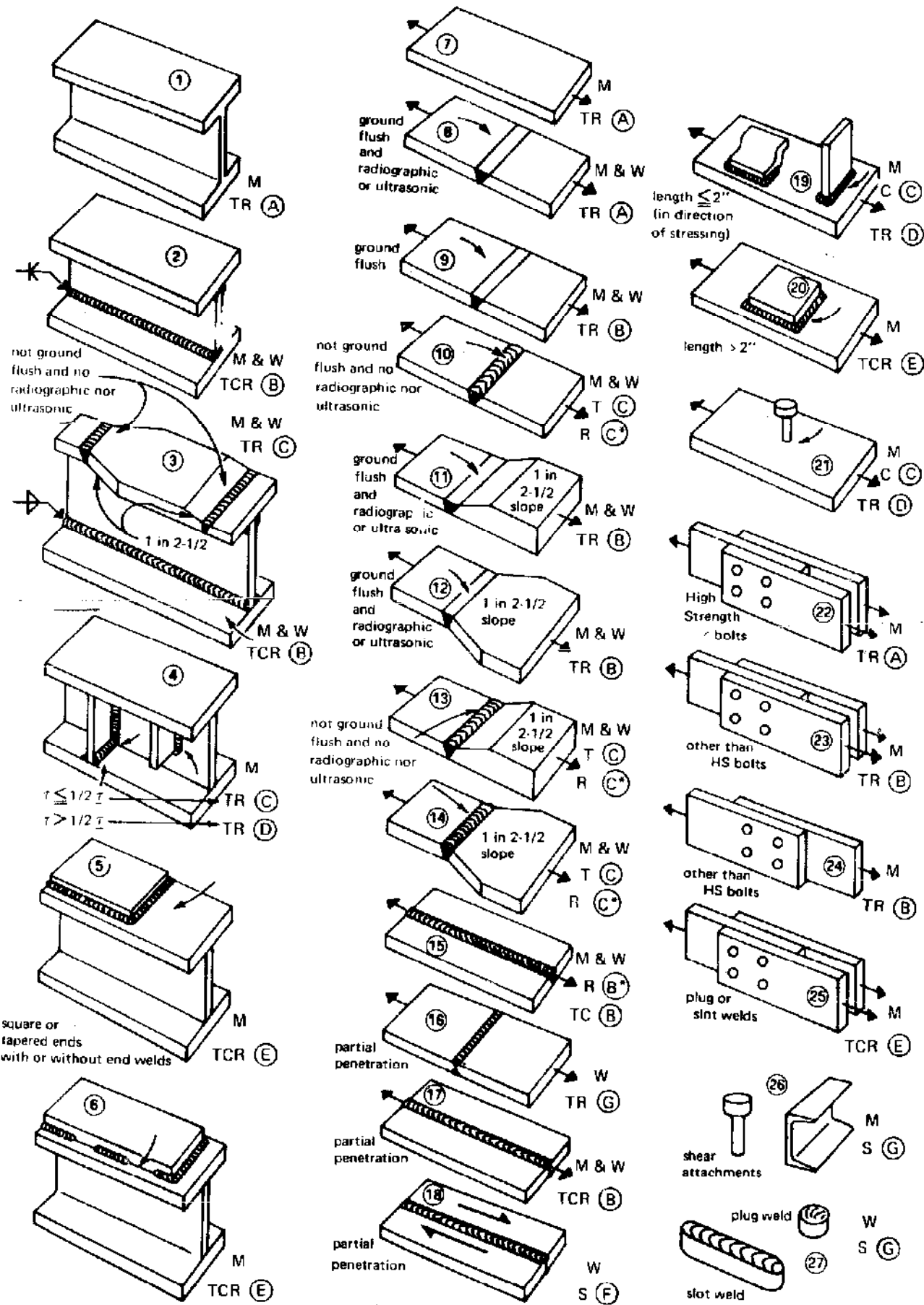
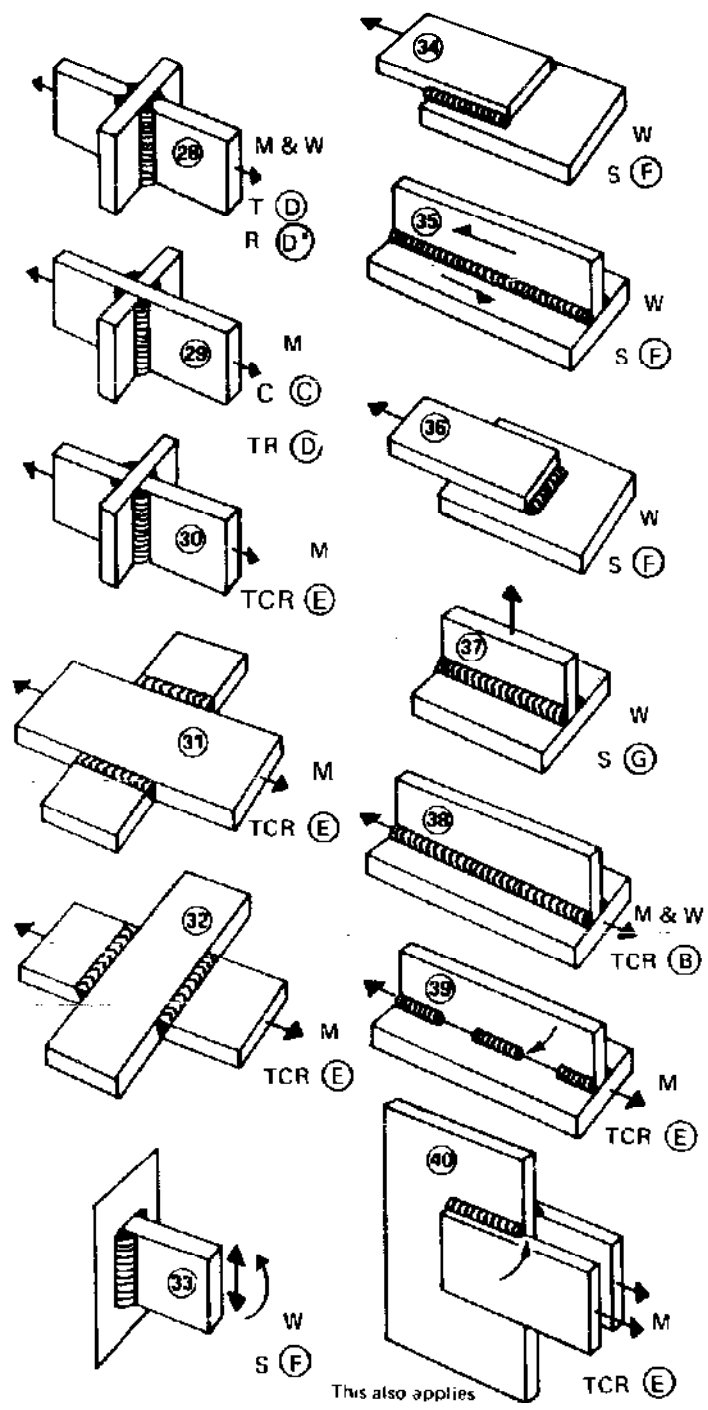


Fig. 2-123. AISC allowable range of stress ( $\sigma_{st}, \tau_{st}$ )





This also applies to connection of any rolled sections

- ← Curved arrow indicates region of application of fatigue allowables
- Straight arrows indicate applied forces

Grind in the direction of stressing only (when slope is mentioned (ex. 1 in 2-1/2) this is always the maximum value. Less slope is permissible.

	20,000 to 100,000 ~	100,000 to 500,000 ~	500,000 to 2,000,000 ~	over 2,000,000 ~
(A) A514	45	35	25	25
(A)	40	32	24	24
(B)	33	25	17	15
(C)	28	21	14	12
(D)	24	17	10	9
(E)	17	12	7	6
(F)	17	14	11	9
(G)	15	12	9	8

but shall not exceed steady allowables

allowable fatigue stress

$$\sigma_{max} = \frac{\sigma_{sr}}{1 - K}$$

for those categories marked with an asterisk (\*) in the case of a reversal use -

$$* \sigma_{max} = \frac{\sigma_{sr}}{1 - .6K}$$

$\sigma_{max}$  or  $T_{max}$  = maximum allowable fatigue stress

$\sigma_{sr}$  or  $\tau_{sr}$  = allowable range of stress, from table

$$K = \frac{\sigma_{min}}{\sigma_{max}} = \frac{M_{min}}{M_{max}} = \frac{F_{min}}{F_{max}} = \frac{T_{min}}{T_{max}} = \frac{V_{min}}{V_{max}}$$

- S = shear
- T = tension
- C = compression
- R = reversal
- M = stress in metal
- W = stress in weld
- $\bar{I}$  = allowable steady shear stress

Either may be used in design and give comparable values. The new AISC method is generally quicker.

Under the new approach, the allowables for members are designated (M) and for welds (W). A tensile load is (T), a compressive load (C), a reversal (R), and shear is (S). In the chart used for determining values for allowable range of stress (Fig. 2-123), there are four groups representing life:

- (1) 20,000 to 100,000 cycles
- (2) Over 100,000 to 500,000 cycles
- (3) Over 500,000 to 2,000,000 cycles
- (4) Over 2,000,000 cycles

and eight different categories representing type of joint and detail of member. The chart provides the allowable range in stress ( $\sigma_{sr}$  or  $\tau_{sr}$ ), which value may be used in the conventional fatigue formulas:

$$\sigma_{\max} = \frac{\sigma_{sr}}{1-K} \quad \text{OR} \quad \frac{\tau_{sr}}{1-K}$$

$$\text{where } K = \frac{\text{min. stress}}{\text{max. stress}} = \frac{\text{min. force}}{\text{max. force}} =$$

$$\frac{\text{min. moment}}{\text{max. moment}} = \frac{\text{min. shear}}{\text{max. shear}}$$

Of course, the maximum allowable fatigue value used should not exceed the allowable for steady loading.

An alternate use of the allowable range of stress — taken from the table — is to divide it into the range of applied load. This will provide the required property of the section — area or section modulus. The section, as determined, must additionally be large enough to support the total load (dead and live load) at steady allowable stresses.

Reference to the chart of joint types and conditions and the table of allowable range of stress for the different categories (Fig. 2-123) will help make clear their use. Such reference also points up some of the new ideas introduced.

One new concept is that the fatigue allowable of a member, for example, a welded plate girder as shown by (2) of the chart, is now determined by the allowable of the plate when connected by fillet welds parallel to the direction of the applied stress. (M) and (W) are equal and the applicable category is B, rather than the allowable of plate without welds, category A.

If stiffeners are used on the girder, as in (4), the fatigue allowable of the web or flange is determined by the allowable in the member at the termination of the weld or adjacent to the weld, category C or D, depending on the shear value in the web.

The fatigue allowable of a flange plate at the termination of a cover plate, either square or tapered end, is represented by (5). The applicable category is E. The same category also applies to a plate or cover plate adjacent to the termination of an intermittent fillet weld, as in (6) and (39).

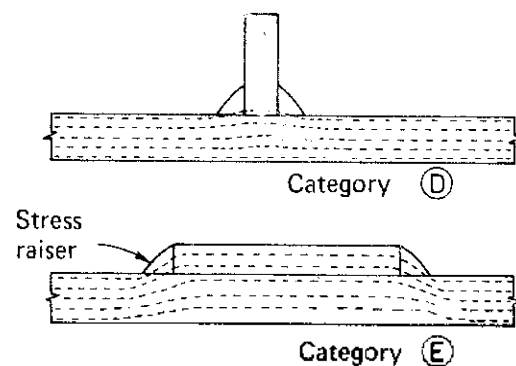
Groove welds in butt joints of plate loaded transversely to the weld are shown in (8) to (14). In (15), the groove weld is parallel to the load. In (10), (13), (14), (15), and (28), an asterisk appears beside the category for reversal (R) of load. This means that a modified formula should be used for determining maximum fatigue stress:

$$\sigma_{\max} = \frac{\sigma_{sr}}{1-.6K}$$

Using .6K provides a slight increase of fatigue allowable in the region of a complete reversal by changing the slope of the fatigue curve. The same butt joints used in a girder (3) do not show this increase in strength, and thus no asterisk appears beside (R).

This approach gives, for the first time, fatigue allowables for partial-penetration groove welds, (16) to (18).

Note by (19) and (20) that the fatigue allowable for a member with a transverse attachment is higher when the attachment is less than 2-in. long, measured parallel to the axis of the load. Although there may be a similar geometrical notch effect or abrupt change in section in both, it is the stress raiser that is important. The transverse bar in (19) is so short as far as the axis of the member and load are concerned that very little of the force is able to swing up and into the bar and then back down again. Consequently, the stress raiser is not severe. The longer bar attachment in (20), however, is sufficiently long to provide a path for the force through it and the connecting welds. Because of this force transfer through the welds, there will be a higher stress raiser and, as a result, a reduction of the fatigue strength of the member. The accompanying sketch illustrates the difference.



Item (30) of the chart, which falls into category E, should not be confused with (37), category G. Both depict transverse fillet welds, but (30) provides a fatigue allowable for the member adjacent to the fillet weld, whereas (37) provides a fatigue shear allowable for the throat of the fillet weld.

Knowing that the steady strength of a transverse fillet is about 1/3 stronger than a parallel fillet, one might question why the fatigue allowable for a parallel fillet, (34) and (35), category F, is the same as the transverse fillet in (36) and higher than the transverse fillet in (37), category G. The fatigue

strength of the transverse fillet (36) is actually higher than the parallel fillet (34), but they both fall in the range covered by category F. However, there is a difference in the two transverse fillet welds in (36) and (37). In (36) there may be a slight stress raiser because of the pinching together of forces as they pass through the weld. But in (37) there is a greater tearing action at the root of the weld, thus producing a lower fatigue strength and warranting a lower fatigue allowable. This is illustrated by Fig. 2-124.

### Fatigue strength of transverse fillet welds

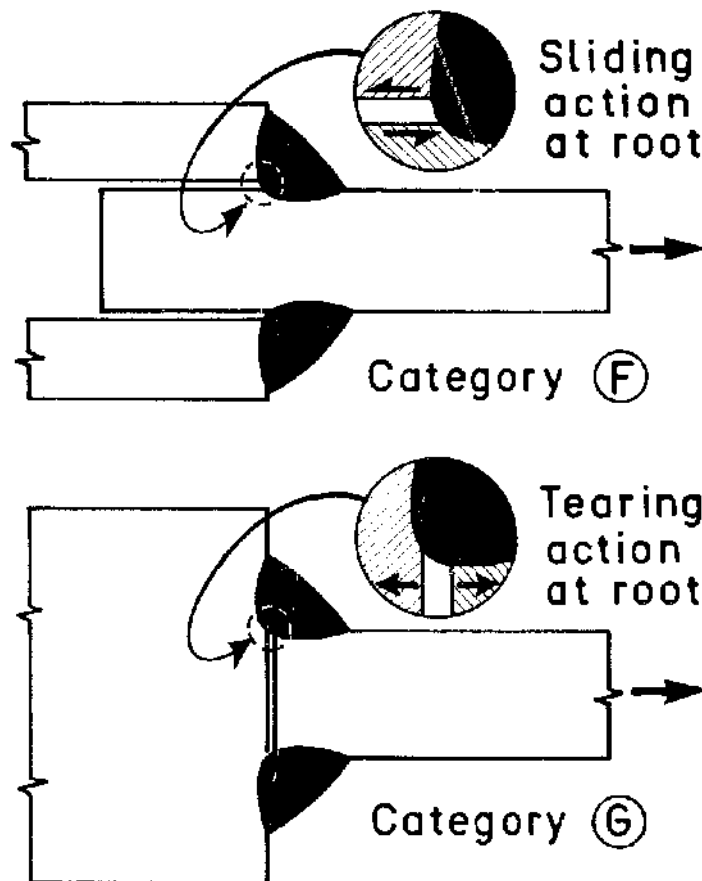
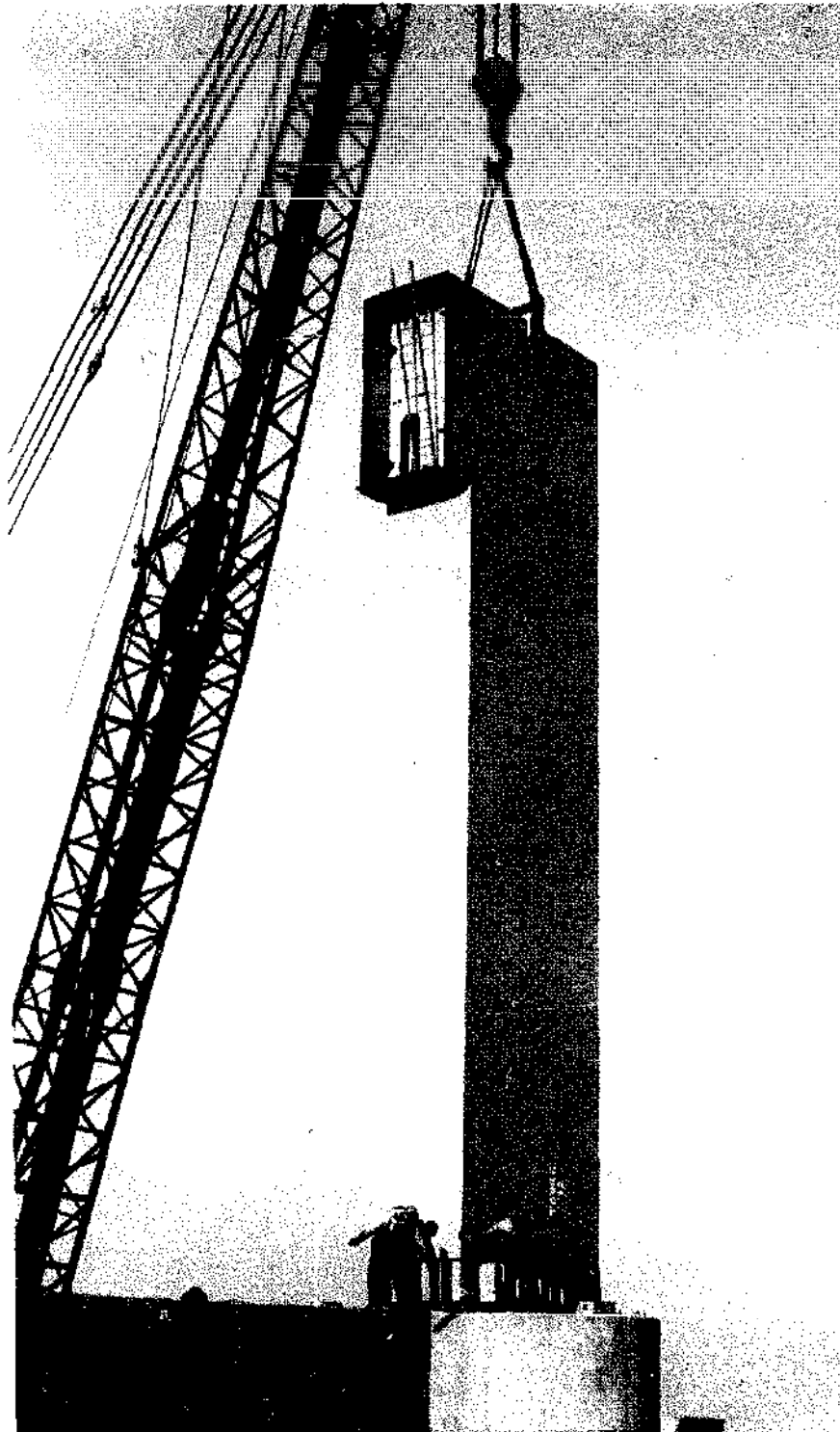


Fig. 2-124. There is a greater tearing action at the root in category G, warranting a lower fatigue allowable.



Column for the San Mateo-Hayward Bridge. Design is attractive yet entirely functional.

# Codes and Specifications

Public safety is involved in the design and fabrication of such structures as buildings, pipelines, ships, and pressure vessels, and, to minimize the danger of catastrophic failure or even premature failure, documents are established to regulate the design and construction of these structures. Even if public safety is not involved, some products are built to meet definite requirements that insure a level of quality, uniformity, or interchangeability. These documents are called specifications, codes, standards, and rules. Sometimes the terms are used interchangeably.

Webster's Third International Dictionary (1969) defines the terms as follows:

**Specification:** "A detailed, precise, explicit presentation (as by numbers, description, or working drawing) of something or a plan or proposal of something."

**Code:** "A set of rules of procedure and standards of materials designed to secure uniformity and to protect the public interest in such matters as building construction and public health, established usually by a public agency."

**Standard:** "Something that is established by authority, custom, or general consent as a model or example to be followed."

**Rule:** "An accepted procedure, custom, or habit having the force of a regulation."

## ORGANIZATIONS THAT WRITE CODES

Codes and specifications are generally written by industrial groups, trade or professional organizations, or government bureaus, and each code or specification deals with applications pertaining specifically to the interest of the authoring body. Large manufacturing organizations may prepare their own specifications to meet their specific needs.

Among the major national organizations that write codes that involve arc welding are the American Welding Society (AWS), American Institute of Steel Construction (AISC), American Society for Testing Materials (ASTM), American Society of

Mechanical Engineers (ASME), and the American Petroleum Institute (API).

Among government agencies, the Interstate Commerce Commission has rules for the fabrication of over-the-road vehicles and for containers used in interstate commerce. The various branches of the military services also prepare specifications. A list of major agencies involved in code and specification writing is presented in Table 2-11.

Some specifications — for example, those of the Society of Automotive Engineers (SAE) — actually are not standards but are merely guides to recommended practices. Other specifications rigidly call out the design and fabrication procedures to be followed and are legally binding. In any event, neither the design nor fabrication of a welded structure should be undertaken without the full knowledge of all codes and requirements that must be met.

Meeting the requirements of a code does not protect anyone against liability concerning the performance of the welds or structure. Nor, in general, does any code-writing body approve, endorse, guarantee, or in any way attest to the correctness of the procedures, designs, or materials selected for code application.

Some of the major organizations that issue codes pertaining to welding are listed in the following text. These listings do not cover all applications of welding or all code-writing bodies. Many local governments, for example, issue codes. The list is representative of the common applications and of the organizations whose codes are widely used.

**American Welding Society:** The advancement of the science of welding is a principal aim of the AWS. This organization writes codes for welding buildings and bridges; prepares specifications for welding electrodes, rods, and fluxes; and sets standards for the qualification of welding operators and for the testing and inspection of welds.

**American Society of Mechanical Engineers:** The Boiler and Pressure Vessel Committee of the ASME establishes standards and rules of safety for the design, construction, and inspection of boilers and other pressure vessels. The Committee also interprets the rules and considers requests for revisions.

**TABLE 2-11. MAJOR AGENCIES ISSUING CODES AND SPECIFICATIONS**

Department of the Air Force  
WPAFB (EWBFA)  
Wright-Patterson Air Force Base, Ohio 45433

American Association of State Highway Officials  
917 National Press Building  
Washington, D.C. 20004

American Bureau of Shipping  
45 Broad St.  
New York, N. Y. 10004

American Institute of Steel Construction  
101 Park Ave.  
New York, N.Y. 10017

American Iron and Steel Institute  
150 East 42nd St.  
New York, N.Y. 10017

American Petroleum Institute  
1271 Avenue of the Americas  
New York, N.Y. 10020

American Society of Civil Engineers  
345 East 47th St.  
New York, N.Y. 10017

American Society of Mechanical Engineers  
Boiler and Pressure Vessel Code Committee  
345 East 47th Street  
New York, N.Y. 10017

American Society for Testing Materials  
1916 Race Street  
Philadelphia, Pa. 19103

American Water Works Association  
2 Park Avenue  
New York, N.Y. 10016

American Welding Society  
2501 N.W. 7th Street  
Miami, Fla. 33125

Lloyd's Register of Shipping  
17 Battery Place  
New York, N.Y. 10004

Department of Navy  
Naval Supply Depot  
5801 Taber Avenue  
Philadelphia, Pa. 19120

Society of Automotive Engineers  
485 Lexington Avenue  
New York, N.Y. 10017

American National Standards Institute  
1430 Broadway  
New York, N.Y. 10018

Fabricators or manufacturers wishing to produce vessels in accordance with the codes must obtain from the Committee a Certificate of Authorization to use the ASME nameplate. Many states and municipal governments have adopted the ASME Code as a legal requirement for applicable types of

construction. Other states have codes similar to, or patterned after, the ASME Code.

**American Society for Testing Materials:** This national technical society has numerous committees, each of which issues regulations and standards in a prescribed field of materials application. Many of these pertain to construction materials and the methods of testing.

**American Petroleum Institute:** Preferred practices governing the design and fabrication of welded equipment and structures used in the petroleum industry are issued by the API. Some of the most widely used of these specifications are those for overland pipelines.

**American Institute of Steel Construction:** This trade organization issues specifications for design, fabrication, and erection of structural steel for buildings.

**Government Agencies:** Government specifications consist primarily of two groups: federal and military. Copies of federal specifications are available through the regional offices of the General Services Administration. Copies of military specifications are available through the agencies of the Department of Defense. Distribution of specifications is limited to parties having a contractual relationship with the DOD, or who otherwise need the specifications to fulfill bid requirements. The distribution of specifications having a security classification is, of course, limited.

## APPLICATIONS COVERED BY CODES

**Pressure Vessels:** The construction of welded boilers and pressure vessels is covered by codes and specifications that describe, among other items, the permissible materials, size, configuration, service limitations, fabrication, heat treatment, inspection, and testing requirements. These codes also outline requirements for qualification of welding procedures and operators. Numerous state, city, and other local government agencies also issue codes governing pressure vessels. For equipment to be used outside of the U.S., the applicable foreign government regulations must, of course, be investigated. Commonly applied codes are:

- *ASME Boiler Construction Code*, American Society of Mechanical Engineers
  - Section I — Power Boilers
  - Section II — Material Specifications
  - Section III — Nuclear Vessels & Components
  - Section IV — Heating Boilers
  - Section V — Nondestructive Examination

Section VI — Care and Operation of Heating Boilers

Section VII — Care and Operation of Power Boilers

Section IX — Welding Qualifications

Some of the above Sections consist of more than one volume.

- *API-ASME Code — Unfired Pressure Vessels for Petroleum Liquids and Gases*, American Petroleum Institute and American Society of Mechanical Engineers.
- *General Specifications for Building Naval Vessels*, United States Navy Department, Bureau of Ships.
- *Marine Engineering Regulations and Material Specifications*, United States Coast Guard.
- *ABS Rules for Building and Classing Steel Vessels*, American Bureau of Shipping.
- *Standards, Tubular Exchanger Manufacturers' Association, Inc.*
- *Lloyd's Rules and Regulations*, Lloyd's Register of Shipping.

**Piping:** A considerable amount of pipe is welded according to procedures developed by individual contractors without regard to code requirements. Piping for steam and other pressure work, however, is usually welded to code requirements. Many codes for piping are written on the basis of minimum requirements for safety, and some applications may, therefore, require more conservative design and construction practices than stipulated in the codes. A particular application, for example, may be covered by a code and yet require additional allowances for corrosion or erosion, special considerations to prevent distortion or creep, or inspection practices not called for in the code to insure that all joints are leakproof.

The *ASME Boiler Construction Code* covers piping connected with boilers, and adherence to its requirements has been made mandatory by many state and municipal governments. Sections I and VIII of this code refer to industrial piping.

Reference to piping is also contained in the *API-ASME Code for the Design, Construction, Inspection and Repair of Unfired Pressure Vessels for Petroleum Liquids and Gases*. Although more liberal than Section VIII of the ASME Boiler Code, the API-ASME code includes a mandatory inspection and repair schedule.

The American Welding Society *Standard D10.9-69 Qualification of Welding Procedures and Welders for Piping and Tubing* covers three different levels of weld quality.

The *American Standard Code for Pressure Piping (B31.1)* serves principally as a guide to state and municipal governments in establishing regulations. It is also used by contractors, manufacturers, architects, and engineers as a reference.

**Water Pipelines:** Pipe for conveying water is usually purchased to conform to *Specification 7A.3 or 7A.4 of the American Water Works Association*. Pipe purchased under ASTM Specifications A134-68 or A139-68 is satisfactory for water service, as is pipe conforming to API Specification 5L.

For especially large-diameter pipe, having wall thicknesses greater than 1-1/4 in., or for water pipe used above the ground and supported by stiffener rings, it is advisable to use the design practice described in the section on penstocks in the *AWS Welding Handbook*.

Water pipes usually have a coating inside and outside to protect against corrosion. For mildly corrosive conditions, a good quality coal-tar paint is used. For severely corrosive conditions, either inside or outside, the pipe is usually protected with a coal-tar enamel lining or coating applied in accordance with AWWA Specifications 7A.5 or 7A.6.

**Field-Welded Storage Tanks:** Field-welded storage tanks are usually constructed in accordance with some code or specification prepared for a particular industry. The American Welding Society's *Standard Rules for Field Welding of Steel Storage Tanks, (D5.1)*, provides complete specifications for construction of storage tanks for all types of service, except that no unit stresses for the steel plating are specified. These unit stresses will depend upon the service conditions involved and may be found in these industrial specifications:

- *Specifications for Gravity Water Tanks and Steel Towers*; Associated Factory Mutual Fire Insurance Companies
- *Standards for the Construction and Installation of Tanks, Gravity and Pressure, Towers, Etc.*; National Board of Fire Underwriters
- *Specifications for All-Welded Oil Storage Tanks, 12-C*; American Petroleum Institute
- *Standard Specifications for Elevated Steel Water Tanks, Standpipes and Reservoirs, (7H.1; D5.2)*; American Water Works Association — American Welding Society
- *Specifications for All-Welded Steel Tanks for Railway Water Service*; American Railway Engineering Association

**Aircraft Fabrication:** The variety of materials and designs used in aircraft fabrication require the

use of most of the welding processes. Because the materials used include aluminum and magnesium alloys, low-alloy steels, austenitic steels, and high-nickel alloys, a wide variation in techniques for most processes is also involved. Typical governing specifications and codes are:

- Weldor Certification  
Test; Aircraft Welding Operators' Certification: AN-T-38
- Filler Metal and Flux  
Electrodes, Welding (covered), Copper-Aluminum-Iron Alloy (Aluminum-Bronze) (for surfacing): JAN-E-278  
Electrodes, Welding (covered), Corrosion-Resisting (Austenitic Type) Steel: BuAer 46E4 (int)  
Electrodes, Welding (covered), Nickel-Copper Alloy: BuAer 17E4  
Nickel-Chromium-Iron Alloy Wire and Welding Rod: AN-N-4 Wire, Iron and Steel, Welding (for aeronautical use): BuAer 46R4, AAF 10286
- Process and Inspection Methods  
Welding, Magnesium: BuAer PW-2  
Welding, Aluminum: BuAer PW-5  
Welding, Steel: BuAer PW-7

**Ship Construction:** Merchant ships and many merchant-type naval vessels are constructed in accordance with the requirements established by the U.S. Coast Guard and by the American Bureau of Shipping. Naval combat vessels and certain other special types are constructed in accordance with U.S. Navy specifications.

The American Bureau of Shipping requirements can be found in its *Rules for The Building and Classing of Steel Vessels*.

Lloyd's Register of Shipping issues a specification entitled "*Lloyd's Rules and Regulations for the Construction and Classification of Steel Ships*." This organization, founded in 1760, operates a worldwide service for classifying ships and inspecting their construction.

Coast Guard regulations are a part of the *Code of Federal Regulations* and come under Title 46, Shipping; Chapter I, Coast Guard: Inspection and Navigation. The following sections apply to welding:

- Subchapter D — Tank Vessels — Part 31.3-2, 37.2
- Subchapter F — Marine-Engineering Regulations, Part 56.20
- Subchapter G — Ocean and Coastwise, Parts 59.15 and 59.30

**TABLE 2-12. SOURCES OF TECHNICAL INFORMATION**

Alloy Castings Institute  
405 Lexington Avenue  
New York, N.Y. 10017

Aluminum Association  
420 Lexington Avenue  
New York, N.Y. 10017

American Foundrymen's Society  
Golf and Wolfe Roads  
Des Plaines, Ill. 60016

American Society for Metals  
Metals Park, Ohio 44703

Copper Development Association  
405 Lexington Avenue  
New York, N.Y. 10017

Ductile Iron Society  
Post Office Box 858  
Cleveland, Ohio 44122

Library of Congress  
National Referral Center for Science and Technology  
Washington, D.C. 20540

National Association of Corrosion Engineers  
980 M & M Building  
Houston, Texas 77002

National Certified Pipe Welding Bureau  
5530 Wisconsin Ave. — Suite 750  
Washington, D.C. 20015

Society for Nondestructive Testing  
914 Chicago Avenue  
Evanston, Ill. 60602

Steel Foundry Research Foundation  
21010 Center Ridge Road  
Rocky River, Ohio 44116

Subchapter H — Great Lakes, Parts 76.15, 76.15a, 76.18, 76.34

Subchapter I — Bays, Sounds, and Lakes, Parts 94.14, 94.14a, 94.17, 94.34

Subchapter J — Rivers, Part 113.23

Subchapter M — Passenger Vessels, Part 144.3  
Equipment Lists for Merchant Vessels (includes list of approved electrodes)

U.S. Navy regulations and requirements covering welding are embodied in Chapter 92, Welding and Allied Processes, of the Bureau of Ships Manual and include the following specifications:

*General Specifications for Building Vessels of the U.S. Navy, Appendix 5, Specifications for Welding.*



*General Specifications for Machinery, Section S1-4, Welding and Brazing.*

*General Specifications for Inspection of Material, Appendix VII, Welding.*

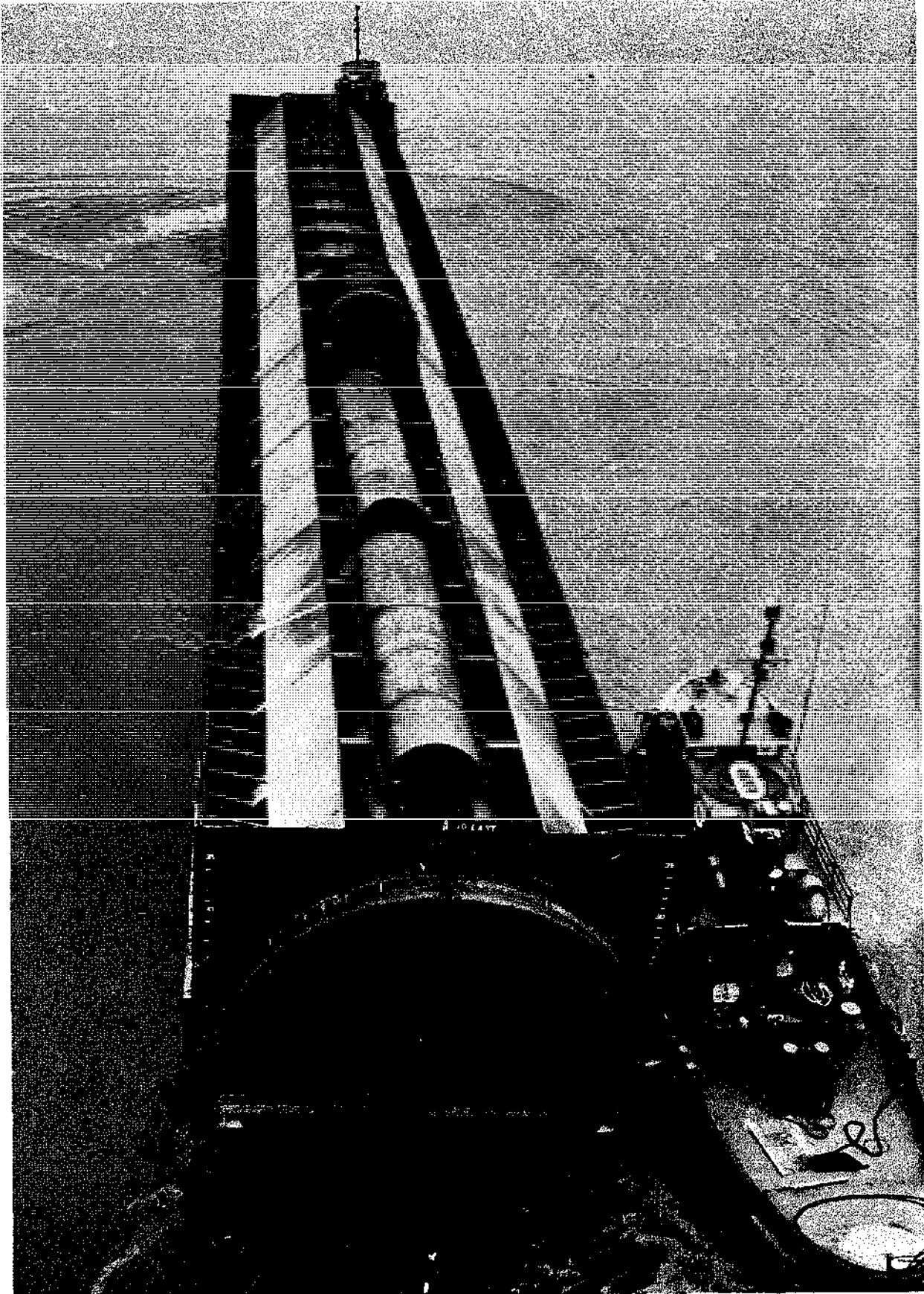
Although not concerned with the establishment of codes, the *National Certified Pipe Welding Bureau* has a substantial effect on welding practices. This organization of piping contractors has headquarters in Washington, D.C. and local branches throughout the United States. Its purpose is to test and qualify pipe-welding procedures and pipe weldors and eliminate the need for requalifying for each job. NCPWB works within the existing codes and specifications.

General information on metals is published by

various technical societies, trade associations, metal producers, and the Federal Government. Some of these organizations are listed in Table 2-12.

The General Services Administration issues the *Index of Federal Specifications and Standards*, which is available from the U.S. Government Printing Office. The actual specifications are available from local GSA Regional Offices.

The Referral Center for Science and Technology Division of the Library of Congress provides a referral service, but does not attempt to answer technical questions or to cite books, journals, or other bibliographic sources. Persons requesting information are provided with names of organizations likely to supply such.



A 300 ft. section of a tunnel being towed to the site after fabrication.

# VARIABLES IN WELDING FABRICATION

## SECTION 3.1

### WELDMENT DISTORTION

	Page
The Reasons for Distortion . . . . .	3.1-1
How Properties of Metals Affect Distortion . .	3.1-3
Shrinkage Control . . . . .	3.1-4
Equations for Calculating Shrinkage . . . . .	3.1-7
Examples of Distortion Control . . . . .	3.1-9
Shop Techniques for Distortion Control . . . .	3.1-17
Check List for Minimizing Distortion . . . . .	3.1-19

## SECTION 3.2

### ARC BLOW

Magnetic Arc Blow . . . . .	3.2-1
Thermal Arc Blow . . . . .	3.2-3
Arc Blow With Multiple Arcs . . . . .	3.2-3
How to Reduce Arc Blow . . . . .	3.2-4
The Effects of Fixturing on Arc Blow . . . . .	3.2-5

## SECTION 3.3

### PREHEATING AND STRESS RELIEVING

Preheating — When and Why . . . . .	3.3-1
The Amount of Preheat Required . . . . .	3.3-1
Methods of Preheating . . . . .	3.3-4
Interpass Temperatures . . . . .	3.3-4
Preheats for Quenched and Tempered Steels .	3.3-4
Pointers on Preheat . . . . .	3.3-6
Stress Relief . . . . .	3.3-7

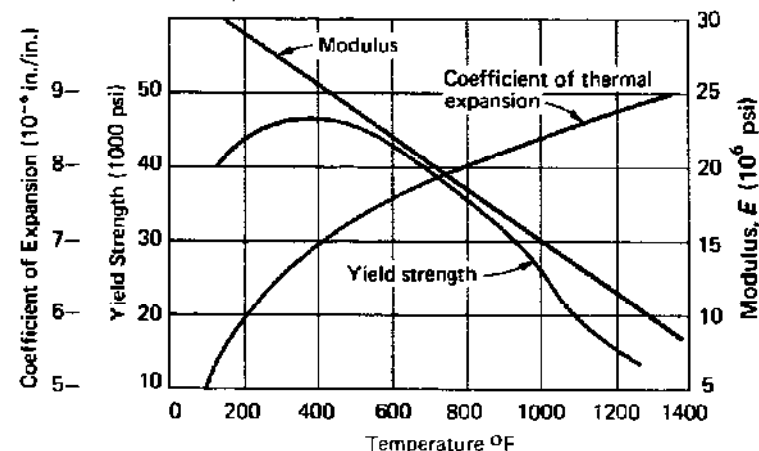
# Weldment Distortion

There are several problems or variables common to welding processes. One of these is distortion.

Distortion in a weldment results from the non-uniform expansion and contraction of the weld metal and adjacent base metal during the heating and cooling cycle of the welding process. During such a cycle, many factors affect shrinkage of the metal and make accurate predictions of distortion difficult. Physical and mechanical properties, upon which calculations must in part be based, change as heat is applied. For example, as the temperature of the weld area increases, yield strength, modulus of elasticity, and thermal conductivity of steel plate decrease, and coefficient of thermal expansion and specific heat increase (Fig. 3-1). These changes, in turn, affect heat flow and uniformity of heat distribution. Thus, these variables make a precise calculation of what happens during heating and cooling difficult. Even if the calculation were simple, of greater value in the design phase and in the shop is a practical understanding of causes of distortion, effects of shrinkage in various types of welded assemblies, and methods to control shrinkage and to use shrinkage forces to advantage.

## THE REASONS FOR DISTORTION

To understand how and why distortion occurs during heating and cooling of a metal, consider the

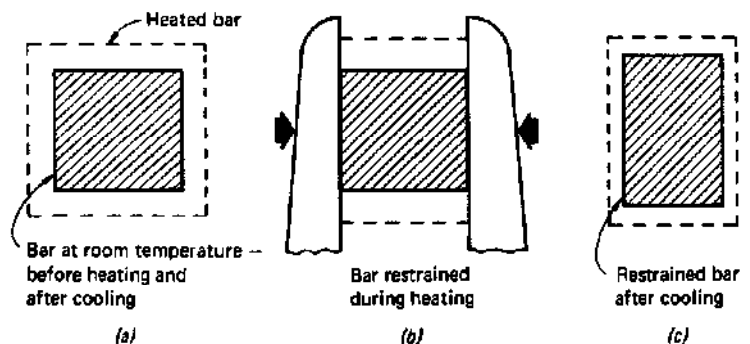


**Fig. 3-1.** Changes in the properties of steel with increases in temperature complicate analysis of what happens during the welding cycle — and, thus, understanding of the factors contributing to weldment distortion.

bar of steel shown in Fig. 3-2. As the bar is uniformly heated, it expands in all directions, as shown in Fig. 3-2(a). As the metal cools to room temperature it contracts uniformly to its original dimensions.

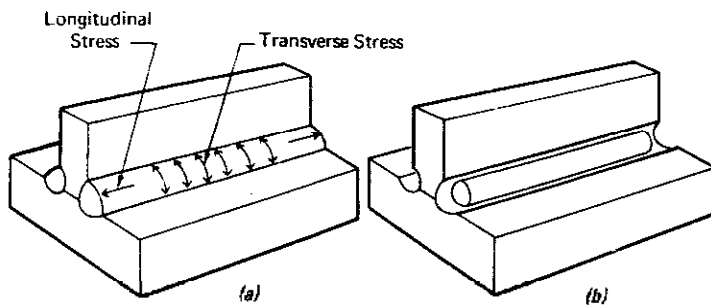
But if the steel bar is restrained — say, in a vise — while it is heated, as shown in Fig. 3-2(b), lateral expansion cannot take place. Volume expansion must occur, however, so the bar expands a greater amount in the vertical direction (thickness). As the deformed bar returns to room temperature, it will still tend to contract uniformly in all directions, as in Fig. 3-2(c). The bar is now narrower but thicker. It has been permanently deformed, or distorted. For simplification, the sketches show this distortion occurring in thickness only. Actually, of course, length is similarly affected.

In a welded joint, these same expansion and contraction forces act on the weld metal and on the base metal. As the weld metal solidifies and fuses with the base metal, it is in its maximum expanded state — it occupies the greatest possible volume as a solid. On cooling, it attempts to contract to the volume it would normally occupy at the lower temperature, but it is restrained from doing so by the adjacent base metal. Stresses develop within the weld, finally reaching the yield strength of the weld metal. At this point, the weld stretches, or yields, and thins out, thus adjusting to the volume require-



**Fig. 3-2.** If a steel bar is uniformly heated while unrestrained, as in (a), it will expand in all directions and return to its original dimensions on cooling. If restrained, as in (b), during heating, it can expand only in the vertical direction — become thicker. On cooling, the deformed bar contracts uniformly, as shown in (c), and, thus, is permanently deformed. This is a simplified explanation of a basic cause of distortion in welded assemblies.

ments of the lower temperature. But only those stresses that exceed the yield strength of the weld metal are relieved by this accommodation. By the time the weld reaches room temperature — assuming complete restraint of the base metal so that it cannot move — the weld will contain locked-in tensile stresses approximately equal to the yield strength of the metal. If the restraints (clamps that hold the workpiece, or an opposing shrinkage force) are removed, the locked-in stresses are partially relieved as they cause the base metal to move, thus distorting the weldment.



**Fig. 3-3.** The fillet welds in (a) have internal longitudinal and transverse stresses, and these welds would shrink to the dimensions of those shown in (b) if they could be unattached from the base plate. To re-establish the condition shown in (a), the fillets in (b) would have to be stretched longitudinally and transversely by forces that exceeded their yield strength.

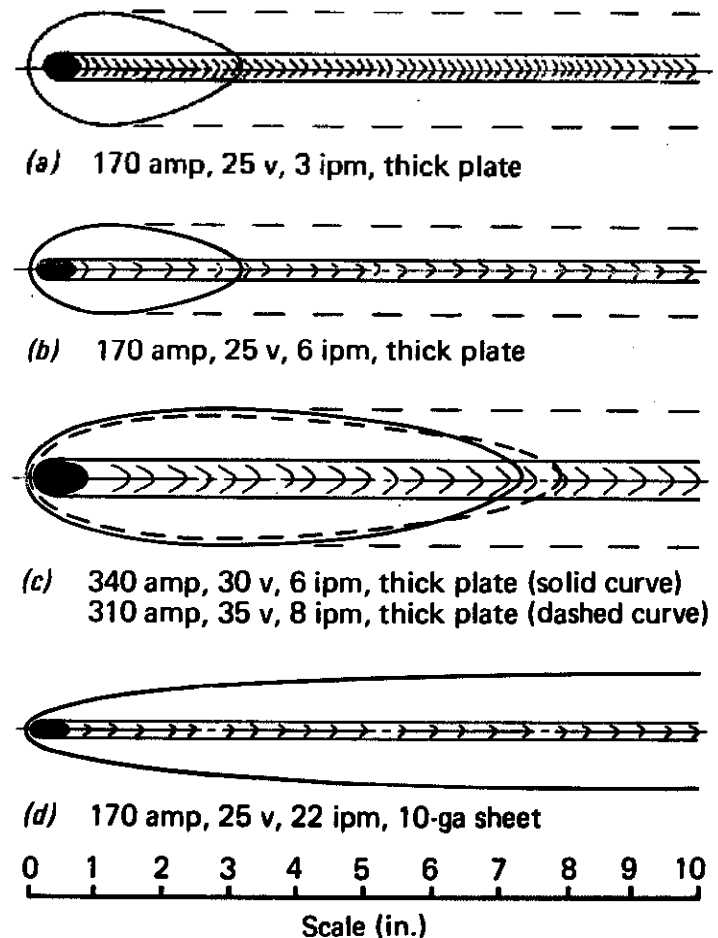
Another approach to understanding internal stresses in a weld is shown in Fig. 3-3. Fillet welds that join two heavy plates contain residual longitudinal and transverse stresses, as indicated in Fig. 3-3(a). To visualize how these stresses got into the welds, imagine the situation depicted in Fig. 3-3(b). Here the fillets have been separated from the base plates. The same amount of weld metal is assumed to exist in both situations. In its unattached condition, the weld metal has shrunk to the volume it would normally occupy at room temperature. It is under no restraint and is stress-free.

To get this unattached weld back to the condition in Fig. 3-3(a), it would be necessary to pull it lengthwise — to impose longitudinal forces — and to stretch it transversely — to impose transverse forces. The weld metal has to give, or yield, in order to stretch, but at the time it reaches the needed dimensions, it is still under stress equivalent to its yield strength. This residual stress attempts to deform the weldment. In the case shown, it is unlikely that the plates would be deformed significantly because they are very rigid, and the weld is relatively small. When the first fillet is laid, however, angular distortion is

likely to occur unless the plates are rigidly clamped or tacked.

Shrinkage in the base metal adjacent to the weld adds to the stresses that lead to distortion. During welding, the base metal adjacent to the weld is heated almost to its melting point. The temperature of the base metal a few inches from the weld is substantially lower. This large temperature differential causes nonuniform expansion followed by base metal movement, or metal displacement, if the parts being joined are restrained. As the arc passes on down the joint, the base metal cools and shrinks just like the weld metal. If the surrounding metal restrains the heated base metal from contracting normally, internal stresses develop. These, in combination with the stresses developed in the weld metal, increase the tendency of the weldment to distort.

The volume of adjacent base metal that contributes to distortion can be controlled somewhat by welding procedures. Higher welding speeds, for example, reduce the size of the adjacent base metal zone that shrinks along with the weld.



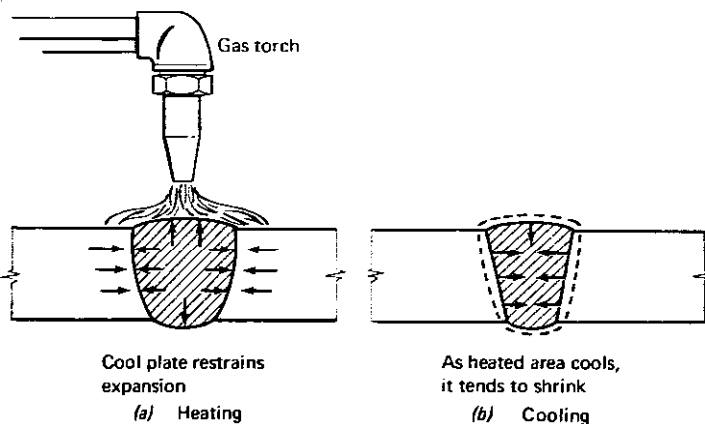
**Fig. 3-4.** Higher welding speeds reduce the size of the adjacent base metal zone that shrinks along with the weld and help to minimize distortion.

An indication of these effects for some typical welds is shown in Fig. 3-4.

Controlled expansion and contraction is applied usefully in flame-straightening or flame-shrinking of a plate or weldment. For example, to shrink the center portion of a distorted plate, the flame from a torch is directed on a small, centrally located area. The area heats up rapidly and must expand. But the surrounding plate, which is cooler, prevents the spot from expanding along the plane of the plate. The only alternative is for the spot to expand in thickness, Fig. 3-5. In essence, the plate thickens where the heat is applied. Upon cooling, it tends to contract uniformly in all directions. When carefully done, spot heating produces shrinkage that is effective in correcting distortion caused by previous heating and cooling cycles.

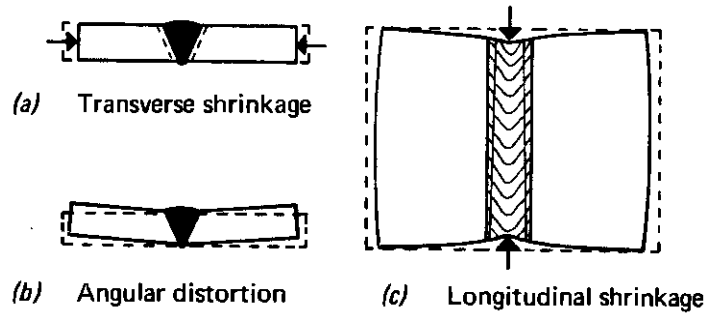
Shrinkage of a weld causes various types of distortion and dimensional changes. A butt weld between two pieces of plate, by shrinking transversely, changes the width of the assembly, as in Fig. 3-6(a). It also causes angular distortion, as in Fig. 3-6(b). Here, the greater amount of weld metal and heat at the top of the joint produces greater shrinkage at the upper surface, causing the edges of the plate to lift. Longitudinal shrinkage of the same weld would tend to deform the joined plate, as shown in Fig. 3-6(c).

Angular distortion is also a problem with fillets, as illustrated in Fig. 3-6(d). If fillet welds in a T-shaped assembly are above the neutral axis (center of gravity) of the assembly, the ends of the member tend to bend upward, as in Fig. 3-6(e). If the welds are below the neutral axis, the ends bend down, as in Fig. 3-6(f).

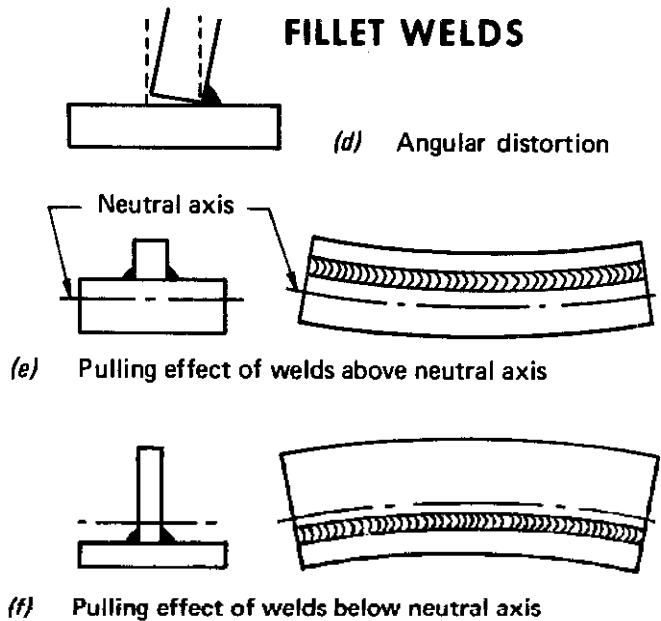


**Fig. 3-5.** The expansion and shrinkage phenomenon that produces distortion in weldments can be used constructively to remove distortion from steel plate. In (a), the heat from the torch causes a thickening of the spot heated. In (b), the cooled spot has a lesser volume within the thickness of the plate. A buckle that may have existed is now replaced with a slight bulge at the spot that was flame-shrunk.

## BUTT WELDS



## FILLET WELDS



**Fig. 3-6.** How welds tend to distort and cause dimensional changes in assemblies.

## HOW PROPERTIES OF METALS AFFECT DISTORTION

Since distortion is caused by the effects of heating and cooling and involves stiffness and yielding, the related mechanical and physical properties of metals affect the degree of distortion. A knowledge of approximate values of coefficient of thermal expansion, thermal conductivity, modulus of elasticity, and yield strength of the metal in a weldment helps the designer and the weldor to anticipate the relative severity of the distortion problem.

**Coefficient of thermal expansion** is a measure of the amount of expansion a metal undergoes when it is heated or the amount of contraction that occurs when it is cooled. Metals with high thermal-expansion coefficients expand and contract more than metals with low coefficients for a given temperature change. Because metals with high coefficients have larger shrinkage of both the weld metal

and metal adjacent to the weld, the possibility for distortion of the weldment is higher

Thermal conductivity is a measure of the ease of heat flow through a material. Metals with relatively low thermal conductivity (stainless steels and nickel-base alloys, for example) do not dissipate heat rapidly. Metals with high thermal conductivity (aluminum and copper) dissipate heat rapidly. Welding of low-conductivity metals results in a steep temperature gradient that increases the shrinkage effect in the weld and in the adjacent plate.

Yield strength of the weld metal is another parameter that affects the degree of distortion of a weldment. To accommodate the shrinkage of a weld joint on cooling, stresses must reach the yield strength of the weld metal. After stretching and thinning takes place, the weld and the adjacent base metal are stressed to approximately their yield strength. The higher the yield strength of a material in the weld area, the higher the residual stress that can act to distort the assembly. Conversely, distortion in the lower-strength metals is less likely or less severe.

Yield strength of metals can be changed by thermal or mechanical treatments. Heat treatment of medium-carbon, high-carbon, and alloy steels, for example, can increase yield strength appreciably. Cold working has a similar effect on many stainless-steels and copper and aluminum alloys. To minimize warping, metals should be welded in their annealed (low-strength) condition when possible.

Modulus of elasticity is a measure of stiffness of a material. One with a high modulus is more likely to resist distortion.

Table 3-1 lists these properties that are important in distortion analysis for steel, stainless steel, aluminum, and copper. Following are examples that illustrate how carbon or mild steel compares with other metals of construction with respect to distortion.

**Mild Steel vs Stainless Steel:** Yield strength and modulus of mild steel and of the commonly used

stainless steels are in the same general range, indicating little difference in probable distortion. Thermal conductivity of the stainless grades, however, is only about one-third that of mild steel. This would increase the shrinkage effect. The coefficient of thermal expansion of stainless steel is about 1-1/2 times that of steel; this would also increase shrinkage in the plate adjacent to the weld. Thus, for the same amount of welding and the same size of member, stainless steel would tend to distort more than mild steel.

**Mild Steel vs Aluminum:** The coefficient of expansion of aluminum is about twice that of steel. If the two metals could be welded at about the same temperature, the shrinkage effect of aluminum would be much higher. But since the fusion temperature of steel is considerably higher than that of aluminum, the expansion factors approximately cancel out. Thermal conductivity of aluminum is about four times that of steel, which means that heat flows out of the aluminum faster, resulting in a lower temperature differential in the plate adjacent to the weld. This should produce less distortion in aluminum. Modulus of aluminum is about one-third that of steel, indicating higher distortion in aluminum for the same residual stress.

Yield strength could vary over a wide range, depending on the aluminum alloy and its heat treatment. The effect, comparatively, on distortion would be minor. Thus, the factors that increase and decrease distortion in aluminum and in steel approximately balance out, indicating that distortion expectancy is nearly equal for the two metals generally. Since the many alloys of both metals vary from the generalities discussed, degree of distortion would depend on the properties of the specific alloys being considered.

**Mild Steel vs High-Strength Steel:** The only significant difference between properties of these metals affecting distortion is yield strength. This would be higher in the high-strength steel, of course, suggesting increased distortion. Because of the higher strength, a smaller (or thinner) section would probably be used. This would further increase the distortion.

TABLE 3-1. Properties of Typical Metals\*

Metal	Modulus of Elasticity (10 <sup>6</sup> psi)	Yield Strength (10 <sup>3</sup> psi)	Coef of Thermal Expansion (micro-in./in./°F)	Thermal Conductivity (cal/cm <sup>2</sup> /cm/°C/sec)
Carbon Steels	30	38	7	0.12
Stainless Steels	29	45	10	0.04
Aluminum Alloys	10	20	12	0.50
Copper Alloys	15	10	9	0.90

\*Strength and thermal data shown are approximations for comparative use only. Actual data for different grades and alloys of these metals vary widely; for example, small amounts of alloying elements considerably change the thermal conductivity of aluminum and copper.

## SHRINKAGE CONTROL

If distortion in a weldment is to be prevented or minimized, methods must be used both in design and in the shop to overcome the effects of the heating and cooling cycle. Shrinkage cannot be pre-

vented, but it can be controlled. Several practical ways can be used to minimize distortion caused by shrinkage:

1. **Do not overweld:** The more metal placed in a joint, the greater the shrinkage forces. Correctly sizing a weld for the service requirements of the joint not only minimizes distortion, it saves weld metal and time. The amount of weld metal in a fillet can be minimized by use of a flat or slightly convex bead, and in a butt joint by proper edge preparation and fitup. Only the effective throat, dimension  $T$  in Fig. 3-7(a), in a conventional fillet can be used in calculating the design strength of the weld. The excess weld metal in a highly convex bead does not increase the allowable strength in code work, but it does increase shrinkage forces.

Proper edge preparation and fitup of butt welds, Fig. 3-7(b), help to force the use of minimum amounts of weld metal. For maximum economy, the plates should be spaced from 1/32 to 1/16 in. apart. A bevel of 30 degrees on each side provides proper fusion at the root of the weld, yet requires minimal weld metal. In relatively thick plates, the angle of bevel can be decreased if the root opening is increased, or a J or U preparation can be used to decrease the amount of weld metal used in the joint. A double-V joint requires about one-half the weld metal of a single-V joint in the same plate thickness.

In general, if distortion is not a problem, select the most economical joint. If distortion is a problem, select either a joint in which the weld stresses balance each other or a joint requiring the least

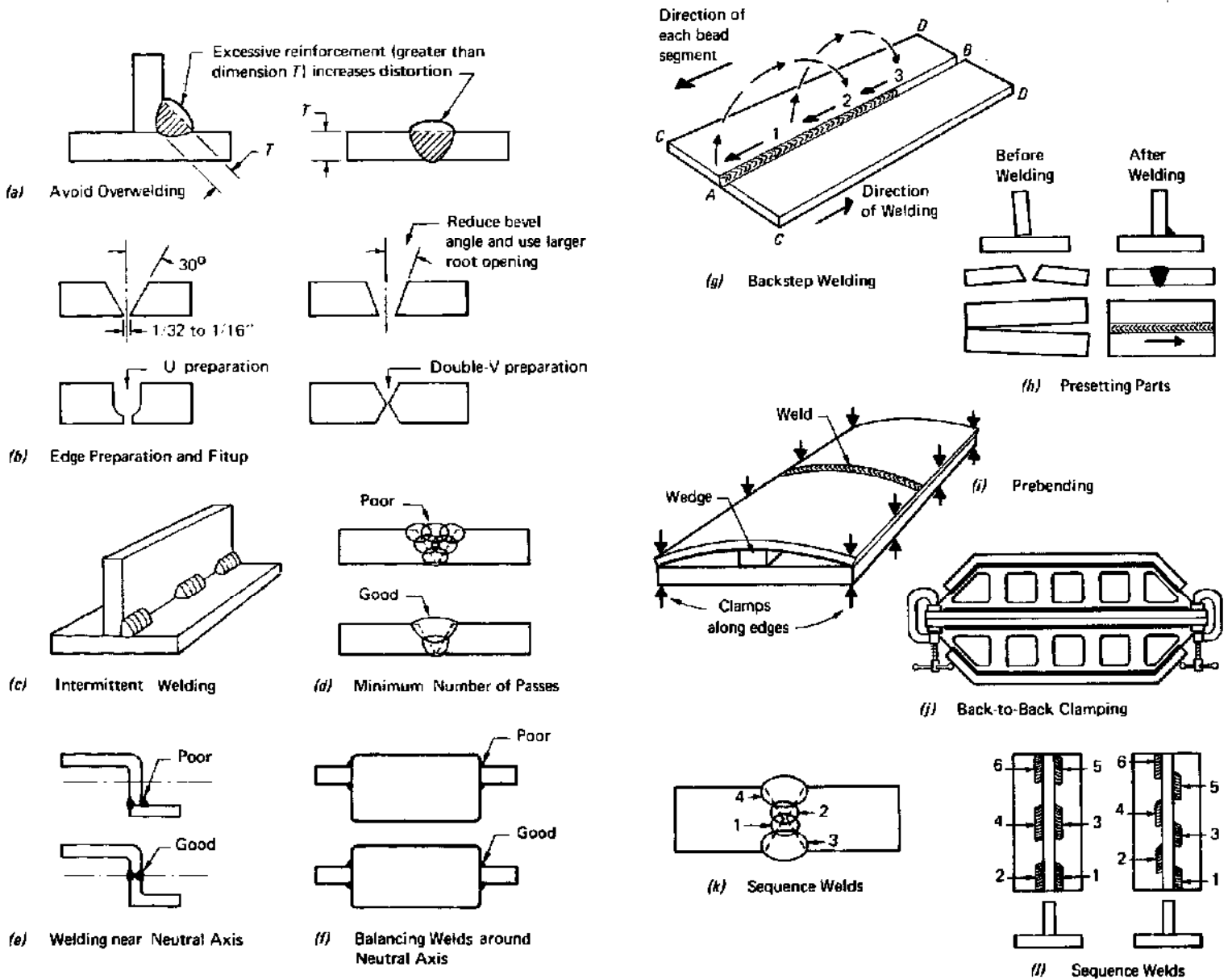


Fig. 3-7. Distortion can be prevented or minimized by techniques that defeat -- or use constructively -- the effects of the heating and cooling cycle.



amount of weld metal.

**2. Use intermittent welding:** Another way to minimize weld metal is to use intermittent rather than continuous welds where possible, as in Fig. 3-7(c). For attaching stiffeners to plate, for example, intermittent welds can reduce the weld metal by as much as 75%, yet provide the needed strength.

**3. Use as few weld passes as possible:** Fewer passes with large electrodes, Fig. 3-7(d), are preferable to a greater number of passes with small electrodes when transverse distortion could be a problem. Shrinkage caused by each pass tends to be cumulative, thereby increasing total shrinkage when many passes are used.

**4. Place welds near the neutral axis:** Distortion is minimized by providing a smaller leverage for the shrinkage forces to pull the plates out of alignment. Figure 3-7(e) is illustrative. Both design of the weldment and welding sequence can be used effectively to control distortion.

**5. Balance welds around the neutral axis:** This practice, shown in Fig. 3-7(f), offsets one shrinkage force with another to effectively minimize distortion of the weldment. Here, too, design of the assembly and proper sequence of welding are important factors.

**6. Use backstep welding:** In the backstep technique, the general progression of welding may be, say, from left to right, but each bead segment is deposited from right to left as in Fig. 3-7(g). As each bead segment is placed, the heated edges expand, which temporarily separates the plates at B. But as the heat moves out across the plate to C, expansion along outer edges CD brings the plates back together. This separation is most pronounced as the first bead is laid. With successive beads, the plates expand less and less because of the restraint of prior welds. Backstepping may not be effective in all applications, and it cannot be used economically in automatic welding.

**7. Anticipate the shrinkage forces:** Placing parts out of position before welding can make shrinkage perform constructive work. Several assemblies, preset in this manner, are shown in Fig. 3-7(h). The required amount of preset for shrinkage to pull the plates into alignment can be determined from a few trial welds.

Prebending or prespruing the parts to be welded, Fig. 3-7(i), is a simple example of the use of opposing mechanical forces to counteract distortion due to welding. The top of the weld groove — which will contain the bulk of the weld metal — is length-

ened when the plates are sprung. Thus the completed weld is slightly longer than it would be if it had been made on the flat plate. When the clamps are released after welding, the plates return to the flat shape, allowing the weld to relieve its longitudinal shrinkage stresses by shortening to a straight line. The two actions coincide, and the welded plates assume the desired flatness.

Another common practice for balancing shrinkage forces is to position identical weldments back to back, Fig. 3-7(j), clamping them tightly together. The welds are completed on both assemblies and allowed to cool before the clamps are released. Prebending can be combined with this method by inserting wedges at suitable positions between the parts before clamping.

In heavy weldments, particularly, the rigidity of the members and their arrangement relative to each other may provide the balancing forces needed. If these natural balancing forces are not present, it is necessary to use other means to counteract the shrinkage forces in the weld metal. This can be accomplished by balancing one shrinkage force against another or by creating an opposing force through the fixturing. The opposing forces may be: other shrinkage forces; restraining forces imposed by clamps, jigs, or fixtures; restraining forces arising from the arrangement of members in the assembly; or the force from the sag in a member due to gravity.

**8. Plan the welding sequence:** A well-planned welding sequence involves placing weld metal at different points about the assembly so that, as the structure shrinks in one place, it counteracts the shrinkage forces of welds already made. An example of this is welding alternately on both sides of the neutral axis in making a butt weld, as in Fig. 3-7(k). Another example, in a fillet weld, consists of making intermittent welds according to the sequences shown in Fig. 3-7(l). In these examples, the shrinkage in weld No. 1 is balanced by the shrinkage in weld No. 2, and so on.

Clamps, jigs, and fixtures that lock parts into a desired position and hold them until welding is finished are probably the most widely used means for controlling distortion in small assemblies or components. It was mentioned earlier in this section that the restraining force provided by clamps increases internal stresses in the weldment until the yield point of the weld metal is reached. For typical welds on low-carbon plate, this stress level would approximate 45,000 psi. One might expect this stress to cause considerable movement or distortion

after the welded part is removed from the jig or clamps. This does not occur, however, since the strain (unit contraction) from this stress is very low compared to the amount of movement that would occur if no restraint were used during welding. For example:

$$\text{Modulus of elasticity (E)} = \frac{\text{Stress } (\sigma)}{\text{Strain } (\epsilon)}$$

$$\epsilon = \frac{\sigma}{E \text{ steel}}$$

$$\epsilon = \frac{45,000}{30,000,000}$$

$$\text{Strain} = 0.0015 \text{ in./in.}$$

**9. Remove shrinkage forces after welding:** Peening is one way to counteract the shrinkage forces of a weld bead as it cools. Essentially, peening the bead stretches it and makes it thinner, thus relieving (by plastic deformation) the stresses induced by contraction as the metal cools. But this method must be used with care. For example, a root bead should never be peened, because of the danger of either concealing a crack or causing one. Generally, peening is not permitted on the final pass, because of the possibility of covering a crack and interfering with inspection, and because of the undesirable work-hardening effect. Thus, the utility of the technique is limited, even though there have been instances where between-pass peening proved to be the only solution for a distortion or cracking problem. Before peening is used on a job, engineering approval should be obtained.

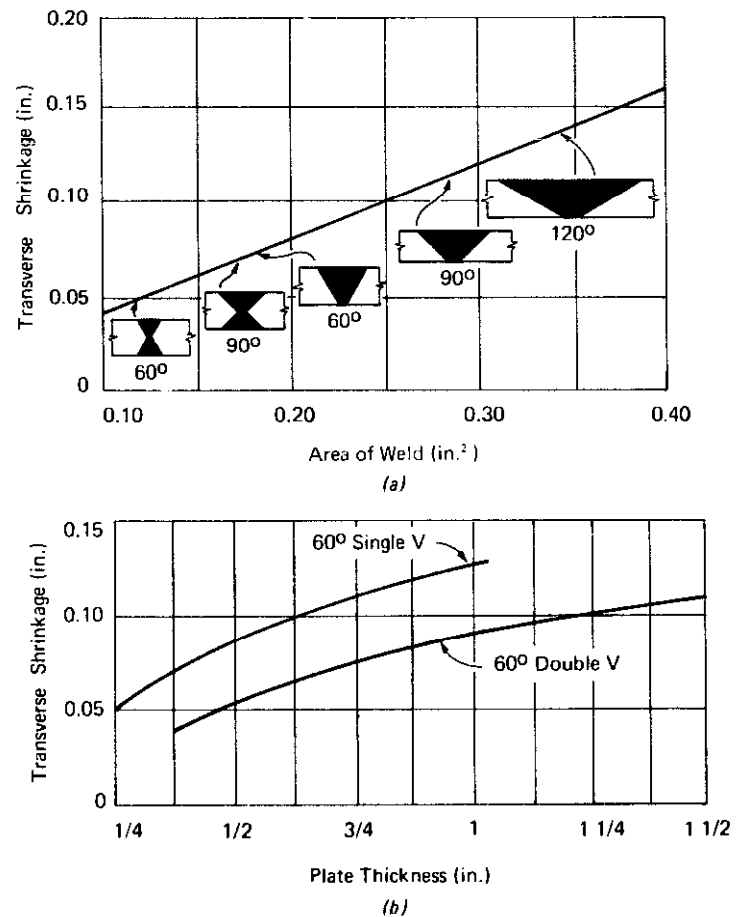
Another method for removing shrinkage forces is by stress relief — controlled heating of the weldment to an elevated temperature, followed by controlled cooling. Sometimes two identical weldments are clamped back to back, welded, and then stress-relieved while being held in this straight condition. The residual stresses that would tend to distort the weldments are thus removed.

**10. Minimize welding time:** Since complex cycles of heating and cooling take place during welding, and since time is required for heat transmission, the time factor affects distortion. In general, it is desirable to finish the weld quickly, before a large volume of surrounding metal heats up and expands. The welding process used, type and size of electrode, welding current, and speed of travel, thus, affect the degree of shrinkage and distortion of a weldment. The use of iron-powder manual electrodes or mechanized welding equipment reduces welding time and the amount of metal affected by heat and, consequently, distortion. For example, depositing a

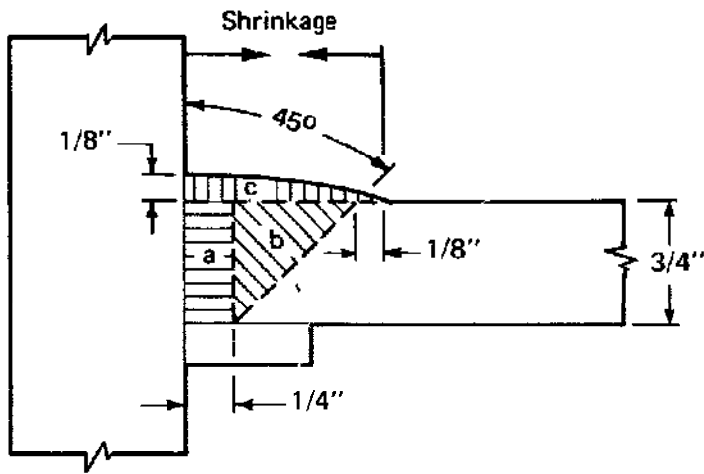
given-size weld in thick plate with a process operating at 175 amp, 25 v, and 3 ipm requires 87,500 joules of energy per linear inch of weld. The same size weld, produced with a process operating at 310 amp, 35 v, and 8 ipm requires 81,400 joules per linear inch. The difference represents “excessive” heat, which expands the surrounding metal more than necessary.

## EQUATIONS FOR CALCULATING SHRINKAGE

**Transverse weld shrinkage** (shrinkage perpendicular to the axis of a weld) is particularly important when the shrinkage of individual welds is cumulative as, for example, in the beam-to-column connections across the length or width of a large building. Unless allowances are made for transverse weld shrinkage — usually by spreading the joint open by the amount it will contract after welding — the cumulative shrinkage of several beam-to-column connections could be great enough to noticeably shorten the building’s dimensions.



**Fig. 3-8.** For a given weld thickness, transverse shrinkage increases directly with the cross-sectional area of the weld. The large included angles in (a) are for illustrative purposes only.



$$A = (1/4)(3/4) + (1/2)(3/4)(3/4) + (2/3)(1/8)(1-1/8) = 0.563 \text{ in.}^2$$

$$\begin{aligned} \text{Transverse Shrinkage} &= 0.10 \frac{A}{t} \\ &= 0.10 \left( \frac{0.563}{0.875} \right) \\ &= 0.064 \text{ in.} \end{aligned}$$

Fig. 3-9. Transverse shrinkage is calculated by determining the cross-sectional area of the weld and applying it to the transverse-shrinkage formula.

For a given weld thickness, transverse shrinkage of a weld increases directly with cross-sectional area of the weld. Figure 3-8(a) shows this relationship for a 1/2-in. plate. The large included angles shown in this graph are illustrative only; angles above 60° are seldom used in welding. Transverse shrinkage of 60° single-V and double-V joints in several plate thicknesses are shown in Fig. 3-8(b). Shrinkage values shown in both graphs assume that no unusual restraint against transverse shrinkage is imposed.

Approximate transverse shrinkage for other weld angles or sizes can be predicted from:

$$\text{Transverse shrinkage} = 0.10 \frac{A}{t} \dots \dots (1)$$

where A = cross-sectional area of the weld in in.<sup>2</sup>, and t = weld thickness in inches.

Another way of stating this relationship is that transverse shrinkage equals one-tenth of the average width of the weld area. A sample calculation using this equation is shown in Fig. 3-9.

Important: When a deep-penetrating welding process (such as submerged-arc) is used, the cross section of the entire fused part of the joint (not

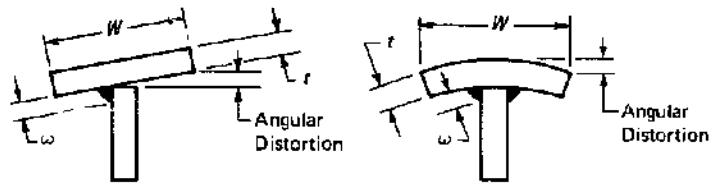


Fig. 3-10. Angular distortion varies directly with the flange width and weld size and inversely with flange thickness.

only the area of deposited weld metal) must be used in the calculation.

Angular distortion (Fig. 3-10) varies directly with flange width W and weld size ω and inversely with flange thickness t. The equation is:

$$\text{Angular distortion} = \frac{0.02 W \omega^{1.3}}{t^2} \text{ in.} \dots \dots (2)$$

Values of ω<sup>1.3</sup> for use in this equation are given in Table 3-2.

TABLE 3-2. VALUES OF ω<sup>1.3</sup>

Weld Size ω (in.)	Value ω <sup>1.3</sup>
3/16	0.114
1/4	0.165
5/16	0.220
3/8	0.280
7/16	0.342
1/2	0.406
9/16	0.474
5/8	0.543
3/4	0.688
7/8	0.841
1	1.00

The agreement between measured and calculated values of angular distortion, shown in Fig. 3-11 for eight different flange and web arrangements, attests to the validity of the equation. In only one of the arrangements illustrated does angular distortion approach the AWS allowable limit—1% of the flange width or 1/4 in., whichever is greater. In this instance, overwelding is obvious.

Longitudinal bending, or cambering, results from a shrinkage force applied at some distance from the neutral axis of a member. Amount of distortion depends on the shrinkage moment and the resistance of the member to bending, as indicated by its moment of inertia. Assuming no unusual initial stresses, the following equation can be used to calcu-

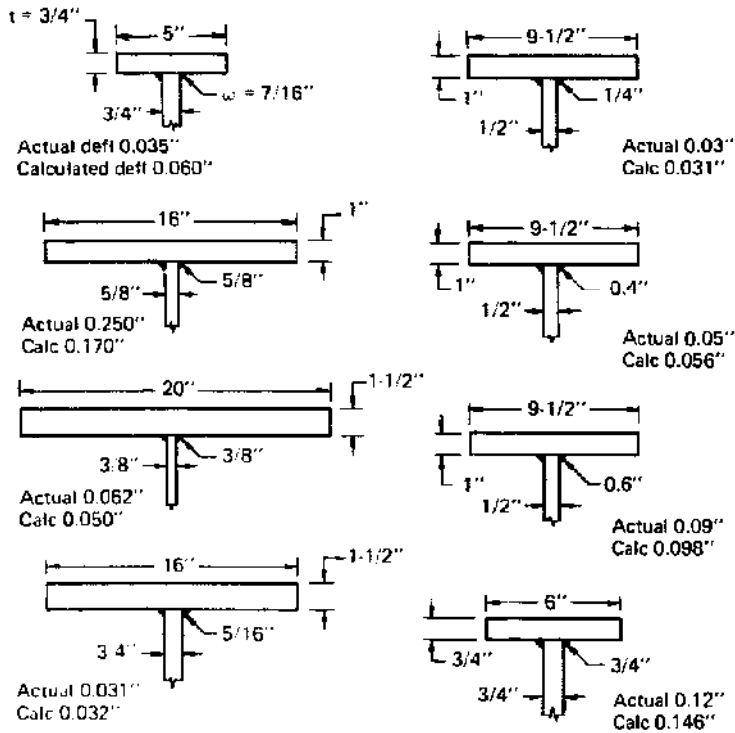


Fig. 3-11. The agreement between measured and calculated values for angular distortion attests to the usefulness of the angular-distortion formula.

late distortion of a member, resulting from longitudinal welds:

$$\text{Longitudinal distortion} = \frac{0.005 AdL^2}{I} \dots \dots (3)$$

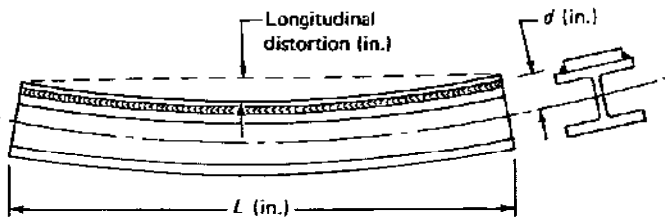


Fig. 3-12. Longitudinal distortion varies directly with the cross-sectional area of weld metal, distance of the center of gravity of the weld from the neutral axis, and length of the member squared, and inversely with the moment of inertia of the member.

where A = total cross-sectional area of the weld metal and fused base metal in in.<sup>2</sup>; I = moment of inertia of the member in in.<sup>4</sup>; and L and d are the length and distance identified in Fig. 3-12. The area A can be estimated from the weld size  $\omega$ .

Agreement between calculated and measured values for longitudinal distortion is shown for several examples in Fig. 3-13.

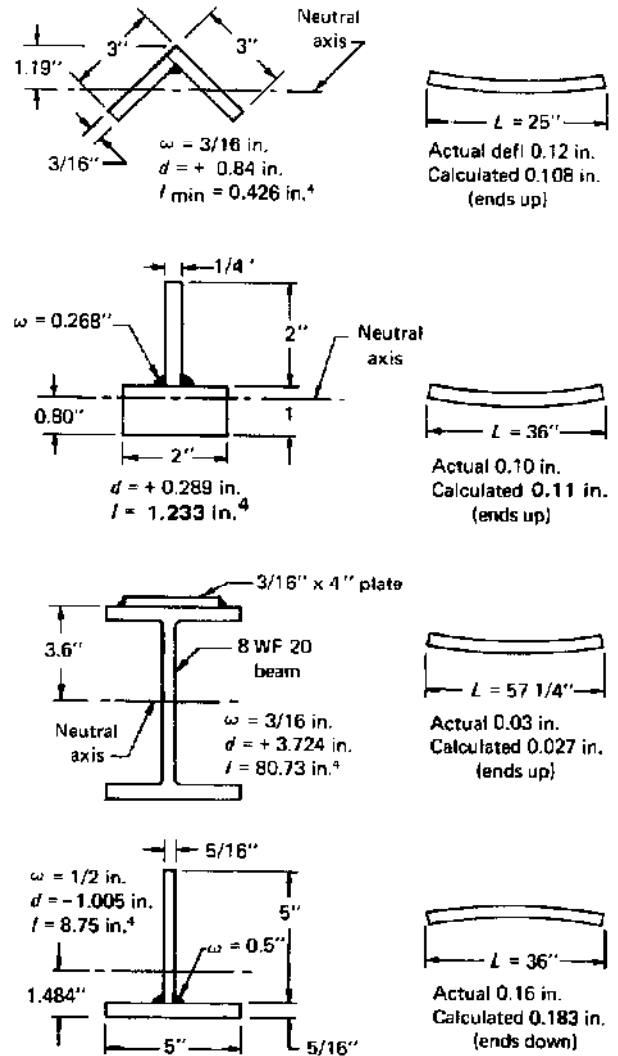


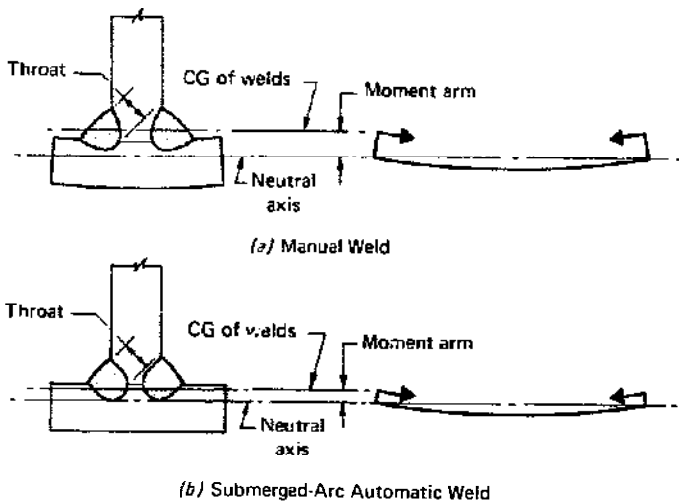
Fig. 3-13. The formula for longitudinal distortion gives values in reasonable agreement with those determined by measurement.

### EXAMPLES OF DISTORTION CONTROL

**T Section:** A manually welded T assembly, Fig. 3-14(a), was distorted laterally after welding, even though the proper size of fillet weld was used. Analysis showed that the center of gravity of the two welds was well above the neutral axis. By changing to deep-penetration, automatic submerged-arc welding, the center of gravity of the welds was lowered, Fig. 3-14(b), substantially reducing the shrinkage moment. Depth, or throat, of the weld is the same but there is now weld metal nearer to the neutral axis. In addition, the higher speed of the automatic welding also reduces distortion.

**Three-Member Column:** The welds in the lift-truck column shown in Fig. 3-15(a) are balanced and can be made downhand by merely turning the assembly once. But longitudinal distortion proved to

### 3.1-10 Variables in Welding Fabrication



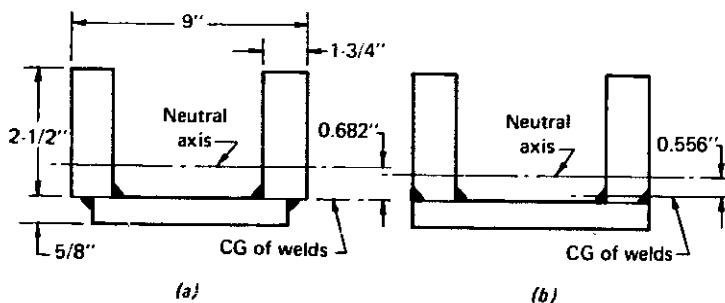
**Fig. 3-14.** The lateral distortion in (a) resulted from the center of gravity of the two welds being well above the neutral axis. The deep-penetration characteristics of automatic submerged-arc (b) lowered the center of gravity of the welds and helped reduce the distortion.

be excessive — 0.42 in. in the 100-in. length. Analysis shows that the distance between the center of gravity of the welds and the neutral axis of the section is 0.682 in. If this distance could be reduced by a change in design, less distortion would occur.

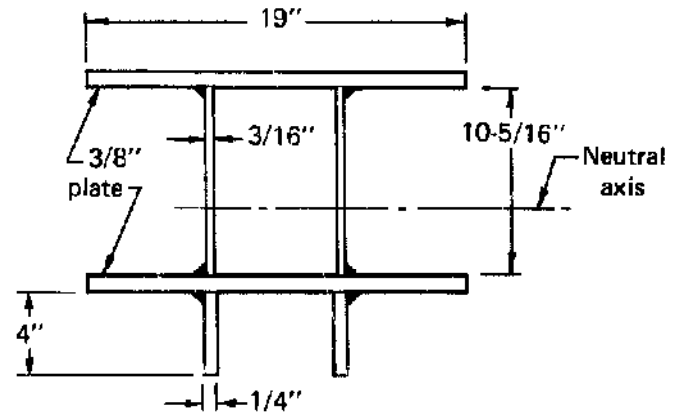
One way to put the welds closer to the neutral axis is shown in Fig. 3-15(b). With this design, the distance is reduced to 0.556 in. Calculation for distortion (using Equation 3) shows that the distortion would be reduced to 0.32 in. for the 100-in. length. If this amount of distortion cannot be tolerated, the column members could be prebent about 5/16 in. in the opposite direction so that the assembly would be very near flat after being welded.

**Box Section:** The lightweight boom section illustrated in Fig. 3-16 exemplifies the importance of method of assembly in minimizing distortion.

One method of assembly would be to tack-weld all pieces together before welding, producing a rigid unit with counterforces to resist those generated by shrinkage. Analysis indicates that the center of



**Fig. 3-15.** By a design change, the distance of the center of gravity of the welds in this assembly from the neutral axis was reduced from 0.682 in. (a) to 0.556 in. (b). Longitudinal distortion was thus reduced from 0.42 in. to 0.32 in. for the 100-in. length.



**Fig. 3-16.** If the stiffeners to the box section were welded on after welding together the box-section members, the longitudinal distortion would be five times that produced by tack-welding the stiffeners at the same time the box section is tacked.

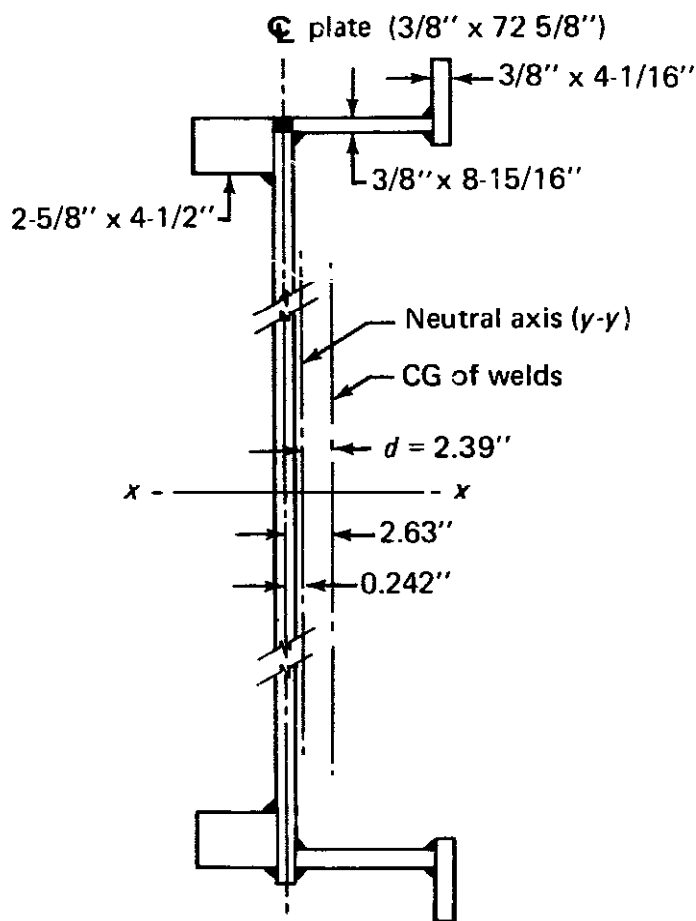
gravity of the weld metal would be 1.11 in. from the neutral axis of the section. In a 63-in. length, the deflection calculated from Equation 3 is 0.004 in.

A second method would be to weld the box section first, which should produce no distortion because of the exact coincidence of the center of gravity of weld metal with the neutral axis. The only distortion would then be that developed when the two 1/4-in. stiffener plates are added. The distance between the center of gravity of the stiffener welds and the neutral axis is 3.994 in. Calculating for deflection in a 63-in. length produces a value of 0.006 in. Thus the distortion in the assembly using this sequence would be 1-1/2 times that produced by tack-welding the stiffeners at the same time the box section is tacked.

**Unsymmetrical Beam:** The welded spandrel beam shown in Fig. 3-17 is to cover a 42-ft span in a structure. How much horizontal deflection, or "sweep," can be expected in this length?

Inspection shows that the welds are balanced about the horizontal (x-x) axis and the section is symmetrical in respect to it. Thus, no vertical distortion, or camber, would be expected as the result of welding. The vertical neutral axis (y-y) is calculated to be 0.242 in. to the right of the centerline of the web plate. The section is thus fairly symmetrical about the vertical axis and, if the welding were balanced about the web plate, there should be little horizontal bending.

However, the welding is not centered about the vertical neutral axis; computation shows the center of gravity of all welds to be 2.63 in. to the right of the centerline of the web. Thus, distance  $d$  (in Equation 3) between the neutral axis and the center of gravity of welds is 2.39 in. Horizontal deflection



**Fig. 3-17.** This unsymmetrical beam defies an assembly sequence that lowers horizontal distortion to a point where flame-straightening would be practical. The best solution appears to be one in which the L-shaped subassemblies would be welded in half lengths and then weld-joined into full-length units after flame-straightening.

in the 42-ft length, calculated from Equation 3, is about 2.4 in., if the assembly were all tacked together and welded. This could be too much to straighten by flame-shrinking.

Another possibility might be to weld the two L-shaped parts as subassemblies. As isolated units, these pieces would have a neutral axis approximately 3 in. from the center of gravity of their two 1/4-in. fillets. Calculation shows that the welds would cause the ends of 42-ft lengths to move about 5.1 in. to the right. This would be an excessive amount.

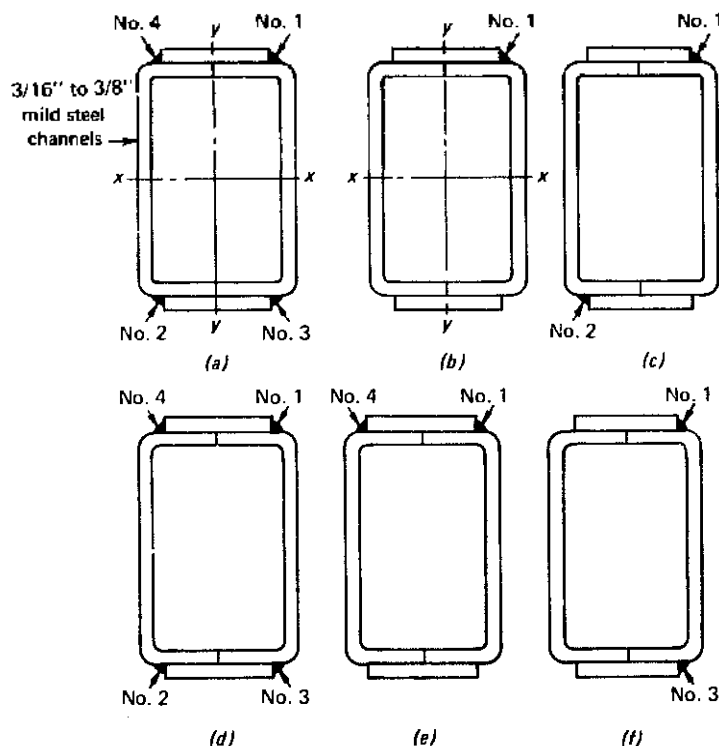
The L-shaped subassemblies could be broken into shorter pieces and then joined by butt welding. Since length  $L$  in the deflection equation is a squared term, any reduction in length substantially decreases deflection. If the L-shaped sections were welded in 21-ft lengths, end movement would be less than 1.3 in. — an amount that is easily handled in straightening. After welding the L-shaped sections, they could be assembled into the final girder. Then all of the welding would lie almost along the

vertical neutral axis, and no distortion should occur. A fast welding process, avoiding multipass welds, would be recommended.

**Welding Sequence:** A fabricator was welding frames of different lengths and thicknesses from formed mild-steel channels and plates in the sequence indicated in Fig. 3-18(a). He wanted to know if any other sequence would produce less distortion.

In the analysis of this problem, it should be borne in mind that the shrinkage of the weld metal and adjacent plate will produce a tensile force. If the resulting compressive stress in the member does not exceed the yield strength or is not great enough to produce permanent set, the sequence is immaterial when the welds are not large compared with the rest of the section, and when the section is symmetrical and the welds are balanced about the neutral axis. After the fourth weld, compressive stress would be fairly uniform throughout the section. But, in this example, the question arises as to whether or not the yield point might be exceeded in compression with any of the possible sequences.

After the first weld is completed, Fig. 3-18(b), the weld and some adjacent plate is in tension. Compressive forces exist in the rest of the member, which may be considered as an eccentrically loaded



**Fig. 3-18.** The sequence of placing the welds and the practicality of running two welds simultaneously are important factors in the welding of this assembly.

column. If the weld is large enough, the resulting stress will exceed the yield point of the member and cause permanent deformation. This would produce a larger bend than if the yield point were not exceeded.

When weld No. 2 is made, Fig. 3-18(c), the same but opposite stress distribution should result. However, if the first weld has caused a permanent set, the second weld cannot pull the member back into straight condition.

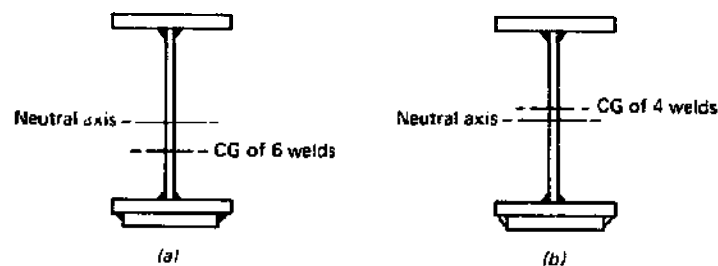
If both welds are made simultaneously, a uniform stress distribution results, and there is no movement or bending effect. Also, the stress is much lower, and there is very little chance that it would exceed the yield point. Then, when the final two welds are simultaneously made, Fig. 3-18(d), stress distribution would be still more uniform and produce no bending effect.

If two welds are made at the same time in a horizontal position — weld No. 1 and No. 4, in Fig. 3-18(e) — some bending would result because the yield point probably would be exceeded. The remaining two welds would probably not quite pull the member straight.

If instead, the welds across the longer dimension were chosen as pairs, Fig. 3-18(f), bending would be about the y-y axis. Such a member would have little structural utility.

Thus, if it is necessary to position the member to accommodate two adjacent welds; the two welds at the narrower dimension should be made simultaneously. The resulting bending about the x-x axis would be slight, and a camber in this direction is often desirable.

The least amount of distortion would result if welds 1 and 2 were made simultaneously, followed by 3 and 4, also simultaneously. But since this procedure would not be practical in most cases, the next best procedure is to make welds 1, 4, 2, 3 in that order, resulting in some camber.



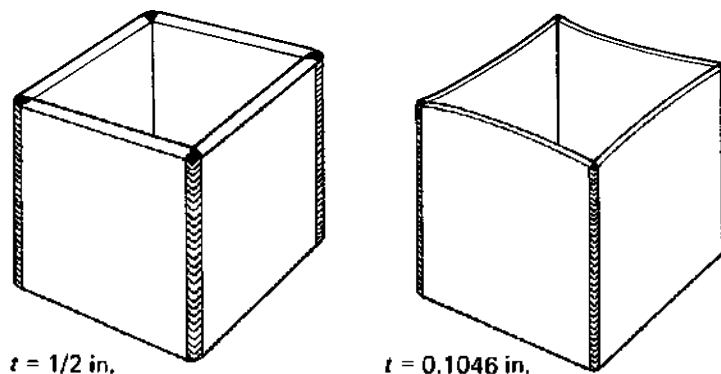
**Fig. 3-19.** By welding the cover plate to the bottom plate first, as in (b), and straightening it before tacking and welding the beam, the distortion in the final beam would be only about one-third that if all parts were tacked together for welding, as in (a).

The girder in Fig. 3-19, made of high strength (A441) steel, needs more flange area on the bottom because the concrete deck on top is attached through shear lugs (composite girder) and will carry some of the bending moment. The strength and allowable stress for this steel decreases with increased thickness. Two 3/4-in. plates are used on the bottom because they have a higher stress-allowable and are stronger than a single 1-3/4-in. plate, thus saving 16% of the steel.

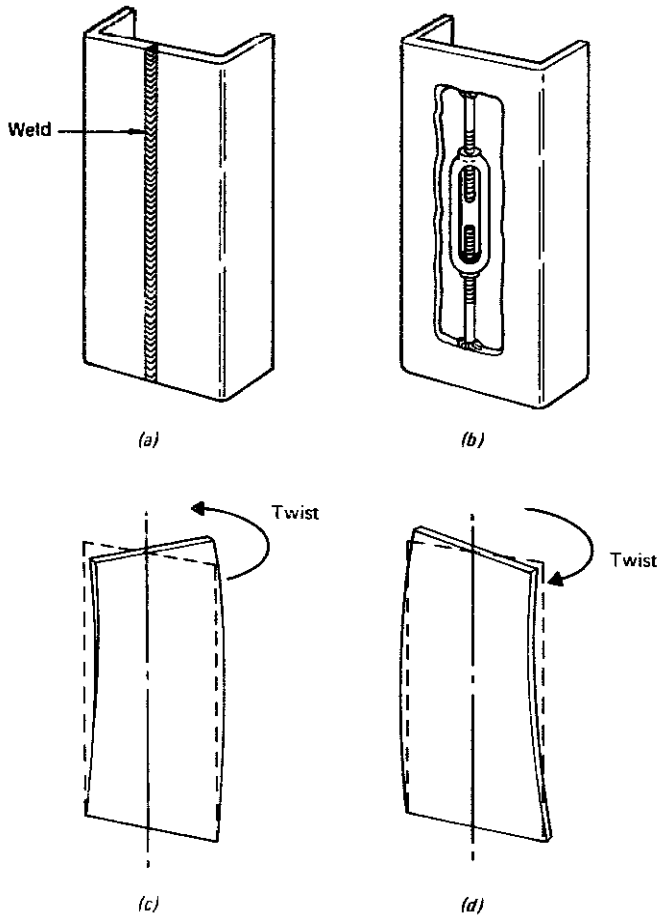
The conventional shop procedure would be to tack all parts of the girder together, then weld the assembly. However, there would be four fillet welds in the bottom portion of the girder and two in the top — an unbalanced condition. In this example, the center of gravity of the six welds is considerably below the neutral axis of the member, and the welding would cause the ends of the girder to move downward, producing camber.

A better procedure might be to weld the cover plate to the bottom flange plate first. If distortion should occur, straightening of the subassembly would not be difficult. Then, when this subassembly and the top flange are welded to the web, only four fillet welds affect distortion, and the center of gravity of the four welds is much closer to the neutral axis. The deflection due to welding will be directly proportional to the amount of weld metal and to the distance  $d$  between the center of gravity of the welds and the neutral axis, and inversely proportional to the bending resistance (moment of inertia) of the section.

Changing welding sequence from the first method to the second reduces the number of welds that influence distortion from six to four. In other words, the welds then have only two-thirds the effect on distortion as previously. The distance  $d$  is reduced by about half. Bending resistance, of course, remains constant. Theoretically, the second



**Fig. 3-20.** The 1/2-in. plate in the hopper box at the left has about 17 times as much resistance to buckling under the shrinkage forces of the corner welds as the 12-gage sheet material in the box at the right.



**Fig. 3-21.** Shrinkage in the centerline weld (a) has the same effect as if a turnbuckle (b) were used to shorten the centerline of the member. A twist, either as shown in (c) or (d), must result when the outer edges of the member are longer than its centerline.

sequence would thus produce only one-third the distortion ( $2/3 \times 1/2 = 1/3$ ), and, since the center of gravity of the welds in this case would be above the neutral axis, the distortion would be in the opposite direction — ends up.

It must be remembered, however, that if the distortion in the first method was not great, it might not be worthwhile to change to the method that would require straightening the flange-cover plate subassembly. Both sequences should be investigated whenever this situation arises.

**Buckling and Twisting:** Since the shrinkage force of the weld is a function of the square of the thickness of the material and resistance to buckling is a function of the cube of the thickness, it is seen that the buckling due to welding of a panel increases directly as the thickness decreases.

Figure 3-20 illustrates two hopper boxes with welded corners. One is made from 1/2-in. plate and the other, from 12-gage (0.1046-in.) sheet. The welds at the corners shrink and tend to leave excess metal under compression in the central portion of the panels. Distortion by buckling can result. The

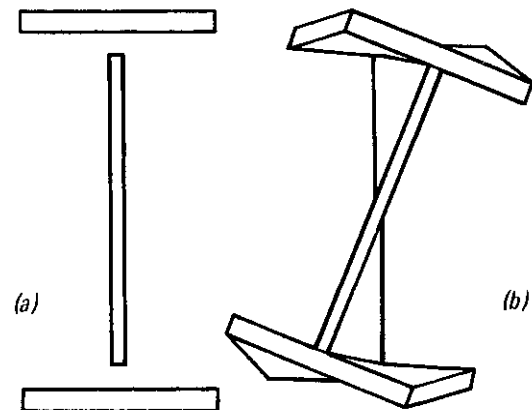
size of the corner welds in the hopper made from 1/2-in. plate indicates that the shrinkage forces would be much greater than those in the hopper fabricated from 12-gage sheet. However, resistance to buckling is also much greater in the thicker material (because of the  $t^3$  relationship). With the thicknesses used in this example, the plate material has about 17 times more resistance to bending (or buckling) than the sheet material.

Twisting can also be a problem with thin material because of its low torsional resistance. When a weld is made down the center of a member, Fig. 3-21(a), the weld area tends to shrink and become shorter. The effect is the same as if a turnbuckle were attached at this position and tightened, as in Fig. 3-21(b). Under this centrally located tension, a flat rectangle can not exist.

To satisfy the conditions of a member that has outer edges longer than its centerline, the member must twist, as in Fig. 3-21(c). Applying a counter force to untwist the weldment is futile. Once that force is great enough to re-establish the original plane, the material snaps into a twist in the opposite direction, as in Fig. 3-21(d).

Twisting can be prevented or minimized in several ways:

1. Minimize shrinking force by good welding practice — decrease volume of weld metal and weld at the highest practical speed.
2. Keep the length of the welded member as short as practical.
3. Incorporate as much resistance to twisting as feasible. Since the resistance of a plate to twisting is a function of the cube of its thickness, doubling the thickness increases its resistance by a factor of eight. Torsional resistance can also be increased, where



**Fig. 3-22.** Fillet welds tend to shorten the flanges of a long, thin beam, leading to the twisting shown in (b). Flame-shrinkage of the outer edges of the flanges is a corrective measure.



design permits, by using closed box sections or diagonal bracing.

A twisted weldment can often be corrected by flame-shrinking. The outer edges are heat-shortened to the length of the centerline, and the disparity in dimensions responsible for twisting is eliminated.

Sometimes a very long, thin welded beam twists out of shape after welding. The reason for this is that the member is made up of three parts, as in Fig. 3-22(a), and the fillet welds have shortened the flanges at the centers, while the lengths of the outside edges have remained unchanged. Unless the flanges have adequate torsional resistance, twisting results, as shown in Fig. 3-22(b). Flame-shrinkage of the outer edges of the flanges is the corrective measure for this condition.

**Horizontal or Vertical Web:** In a shop having automatic equipment with the capability of making two fillet welds simultaneously, beams can be welded with the web either horizontal or vertical (Fig. 3-23). Either way is satisfactory, since distortion would be minimal in each case. When the web is horizontal the beam is more flexible, but since the welds are very close to the neutral axis of the girder, they have practically no bending power. With the web vertical, the welds are farther away from the neutral axis but the girder has considerable rigidity in this direction.

It may be difficult, however, with the web horizontal, to keep the flanges from tilting or rotating to an angle less than 90 degrees. If the welds on the other side of the web do not correct this, the fabricator still has the option of making the first welds with the flanges cocked to an angle greater than 90 degrees. He must ascertain, however, just how much excess angle to use to get 90 degrees after shrinkage

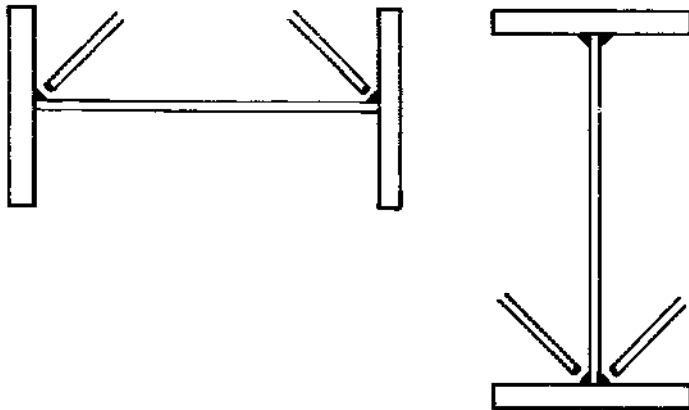


Fig. 3-23. In the automatic welding of flange to web running two fillets simultaneously, positioning the web either horizontal or vertical is acceptable practice.

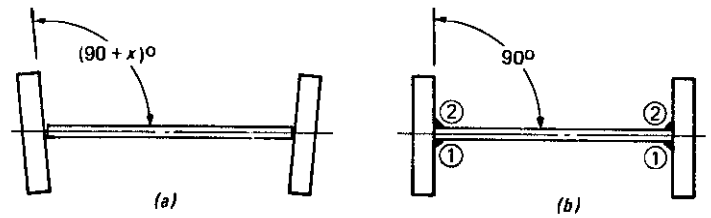
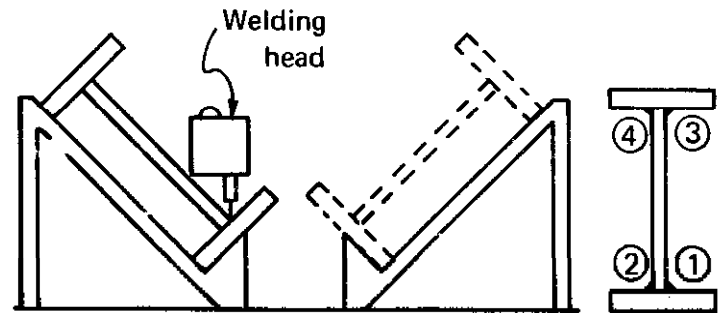


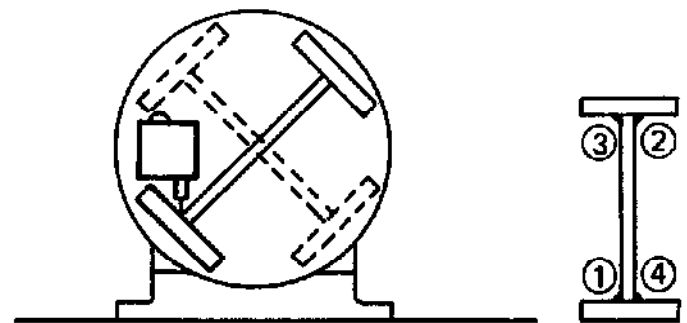
Fig. 3-24. The horizontal web position is often preferred when automatic welding with two heads, since it allows angling the flanges so that shrinkage forces will bring the angle of web-to-flange to 90 degrees in the finished member.

and after completion of the final welds. In addition, he must make certain that his welding procedures remain constant.

In general, when equipment is not available that can deposit two welds simultaneously, the sequence for depositing the four fillet welds on a fabricated plate girder by automatic methods can be varied without a significant effect on distortion. In most cases, the sequence is based on the type of fixture used and the method available for moving the girder from one welding position to another. When a single automatic welder is used, the girder is usually positioned at an angle between 30 and 45 deg, permitting the welds to be deposited in the flat position.



(a) Inclined Fixture



(b) Trunnion-Type Fixture

Fig. 3-25. The welding positions and sequences normally used when fabricating a girder, using an inclined or trunnion-type fixture with a single welding head.

This is desirable, since welding is faster. Flat positioning also permits better control of bead shape and allows depositing larger welds when necessary. Figure 3-25 shows the welding positions and sequences for the girder supported by an inclined fixture and by a trunnion-type fixture.

Using jigs to support the girder requires a crane to change position after each weld. Since repositioning takes time and, since it requires the use of equipment that may be serving several welding stations, it should be minimized as much as possible.

A typical setup, using a pair of jigs to support a girder for welding, is shown in Fig. 3-25(a). After weld 1 is made, the crane simply moves the girder to the facing jig where weld 2 is made. After weld 2, the crane rolls the girder over for welds 3 and 4.

A different welding sequence results with the use of a trunnion-type fixture, shown in Fig. 3-25(b). After weld 1 is made, the girder is rolled over 180 deg for weld 2 without changing the position of the welding head. Upon completion of weld 2, the girder is again rolled, and the welding head is repositioned for weld 3. After weld 3, the girder is rolled and weld 4 is made with the head following the same path as for weld 3.

In both cases, welding sequence is not influenced by considerations of distortion control but by the positioning that consumes the least amount of time.

**Slender, Light-Gage Columns:** Slender columns for lights, signs, or other mounting purposes are commonly fabricated by welding together two light-gage formed channels, Fig. 3-26(a). If the first weld cools before the second weld is made on the opposite side, some bowing results because the

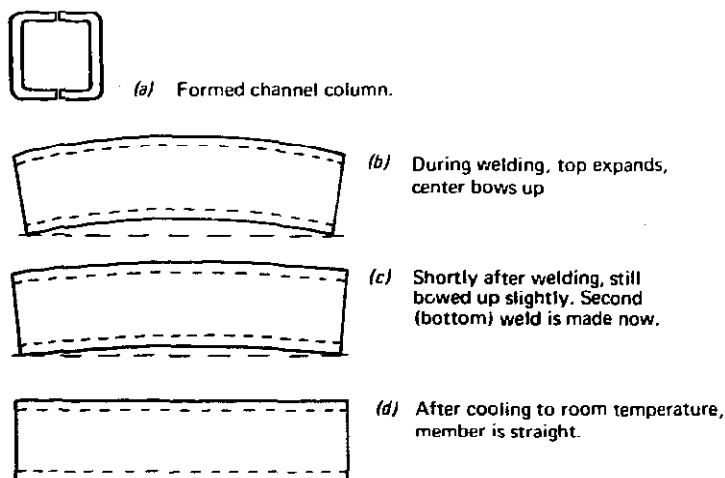


Fig. 3-26. A technique for welding slender, light-gage columns — so that the end result is a straight column.

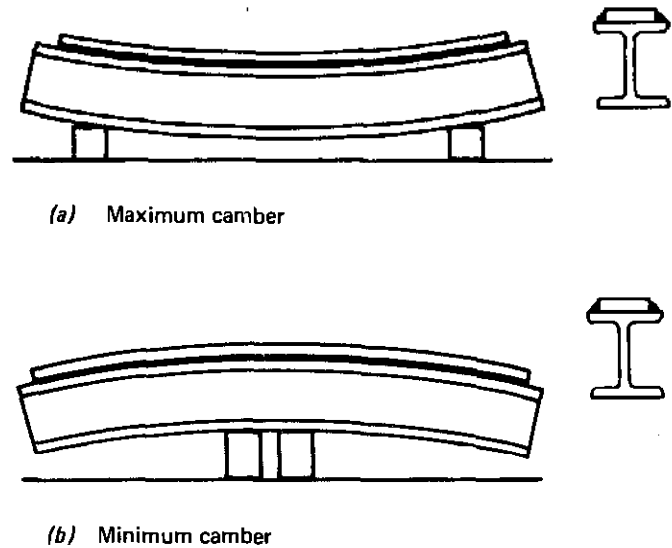


Fig. 3-27. Weld shrinkage and gravity can be used beneficially to produce and control the camber in a fabricated beam. The supporting arrangement maximizes or minimizes the effects of gravity.

second weld may not be capable of pulling the member straight. The first weld, on the top side of the member, initially causes the center of the column to bow upward, as in Fig. 3-26(b). If the member is turned over quickly and the second weld made immediately, the second weld will initially be slightly shorter than the length of the member. After the welded column cools, it will usually be straight.

**Control of Camber:** Weld shrinkage can be used beneficially in fabricating a long beam or girder to produce a desired camber. The effects of weld shrinkage and of gravity can be combined to control the amount of camber. The technique involves support of the assembly so that the two effects work in the desired direction — either together, to produce a camber, or in opposition, to produce a straight member or one with minimum camber. Thus, supporting the beam near its ends causes it to sag at the center, and supporting it at the center and letting the ends overhang produces a relatively straight beam.

For example, a beam is to have a cover plate welded to its lower flange and is to have a certain amount of camber (ends down). It is felt that the shrinkage from welding will not provide enough camber. Since the cover plate is narrower than the flange, it must be welded with the beam turned upside down. By supporting the beam near its ends during welding, as in Fig. 3-27(a), the sag supplements weld shrinkage and increases the camber.

If, on the other hand, too much bending will result from the welding, the beam can be supported near the center during welding, as in Fig. 3-27(b).

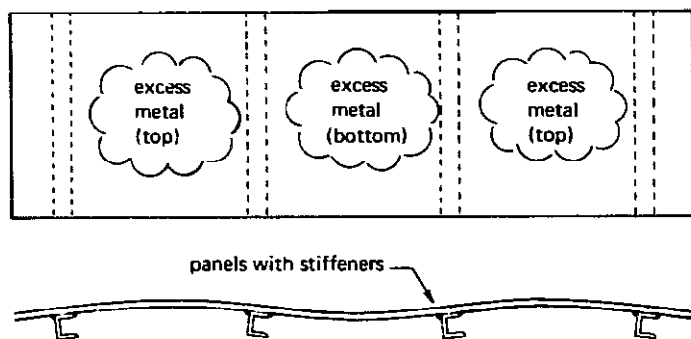


Fig. 3-28. The convex side of the panel is the one with excess metal and the side that requires flame-shrinking.

The effect of gravity will then be subtractive from the bending resulting from welding, thus reducing the camber of the finished beam.

**Distortion Correction by Flame-Shrinkage:** A high temperature is not required for flame-shrinking, but a large torch is necessary for rapid heat input. The success of the technique depends upon establishing a steep temperature gradient in the member. When a length of metal is to be flame-shrunk, such as the edge of a twisted panel or the flange of a beam, the torch can be moved progressively along the length, or selected spots can be heated and allowed to cool, with intermediate observation of the degree of distortion-removal achieved.

The convex side of a bent beam or buckled panel is obviously the one containing excessive metal and the side that requires shrinking. The buckled panels shown in Fig. 3-28, for example, have too much material in the central areas. If the part of an assembly to be shrunk is restrained — the case in many weldments — overheating could produce residual, or locked-in, stresses. It is good practice, to proceed cautiously in flame-shrinking,

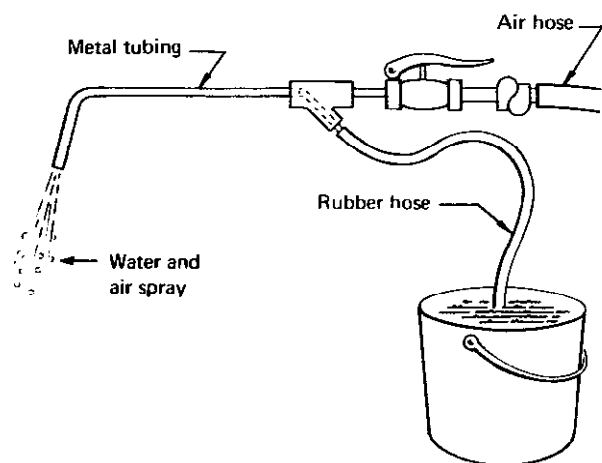


Fig. 3-29. Equipment for providing an atomized spray of water to accelerate cooling of metal when flame-shrinking.

periodically allowing the members to cool so that the degree of distortion-removal can be checked.

To speed the operation, an atomized spray of water is sometimes used to accelerate cooling. This can be accomplished by simply inserting a Y fitting into a compressed-air line ahead of the valve and running a rubber hose from the fitting to a container of water (Fig. 3-29). When the valve is opened, the rush of air past the orifice in the fitting draws water into the air stream, creating an atomized spray. When the spray strikes the hot plate, it turns into steam, absorbing a substantial amount of heat in so doing. Cooling is rapid and, since all of the sprayed water is vaporized, the work remains dry.

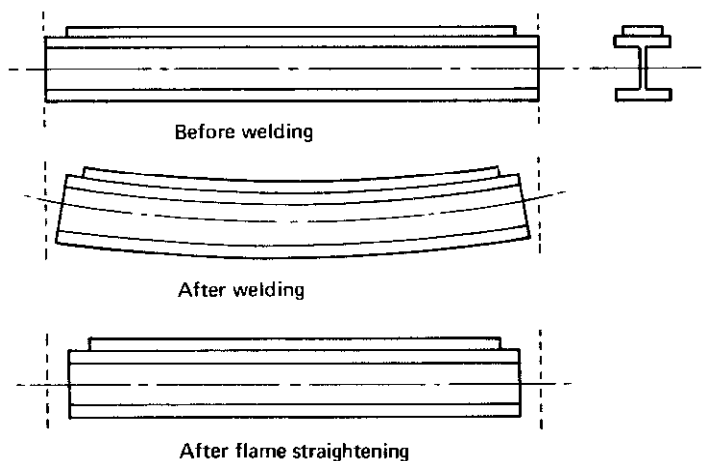


Fig. 3-30. A beam that has been bent when welding on the cover plate can be straightened by flame-shrinking the other flange.

Flame-shrinkage is often applied to long beams and columns that have been bent by welding. A beam with a welded cover plate is likely to bend, as shown in Fig. 3-30, because the welding is not balanced about the neutral axis. The welding on the cover plate produces shrinkage that shortens the length of the flange to which it is welded. Flame-shrinkage shortens the other flange to the same length, thus straightening the beam.

Flame-shrinkage, used properly, can also increase the desired amount of camber in a beam. For example, if the rolled beam with a welded cover plate shown in Fig. 3-30 requires more camber than that produced by the welding of the cover plate, flame is applied to the cover-plate side. However, if the cover plate alone is heated and shrunk, it will pull against the lower beam flange, resulting in a considerable amount of locked-in tensile stress. An accidental overload on the beam in service could

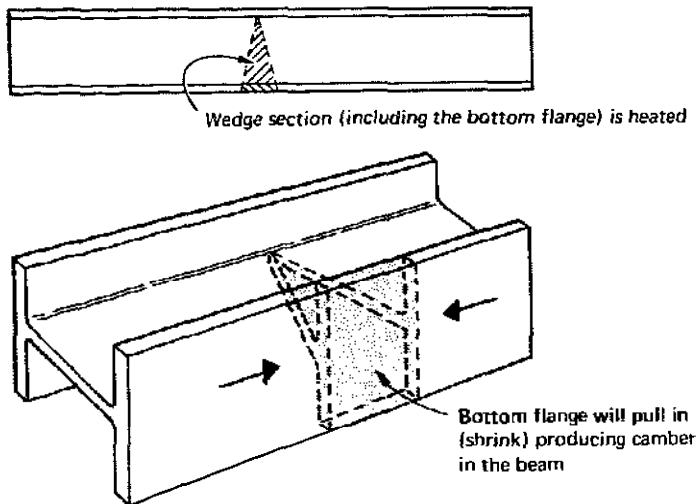


Fig. 3-31. Technique for developing camber in beams with or without cover plates so that little or no locked-in stress results.

exceed the yield stress of the cover plate and cause stretching and the loss of some of the camber. Thus, to minimize the tensile stress developed in the cover plate, so that more of the strength is used for resisting loads and maintaining camber, the beam flange should also be flame-shrunk, along with the cover plate.

Flame-shrinkage can be used to develop camber in beams with or without cover plates so that little or no locked-in stress results. A wedge-shaped area (Fig. 3-31) is first marked off on the web and lower flange with soapstone or other marking material that will withstand high temperature. The flame from one or more heating torches is then applied to the marked region until it reaches a red heat. The flame is removed, the area is allowed to cool, and the

camber is measured. Similar areas are then marked off, and the process is repeated until the required camber is obtained. Two beams that were fabricated in normal fashion, then curved by flame-shrinking, are shown in Fig. 3-32.

## SHOP TECHNIQUES FOR DISTORTION CONTROL

Various shop techniques have been developed to control distortion on specific weldments. All make use of the principles discussed relative to restraint, expansion, and contraction.

In sheet-metal welding, for example, a water-cooled jig (Fig. 3-33) is useful to carry heat away from the welded components. Copper tubes are brazed or soldered to copper holding clamps, and

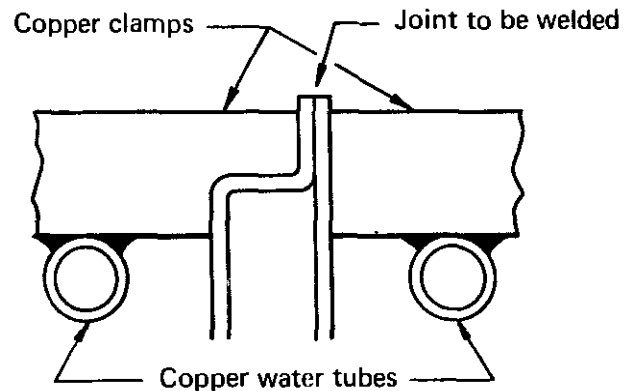


Fig. 3-33. A water-cooled jig for rapid removal of heat when welding sheet metal.

water is circulated through the tubes during welding. The restraint of the clamps also helps minimize distortion.

The "strongback" is another useful technique for distortion control during butt welding of plates, as in Fig. 3-34(a). Clips are welded to the edge of one plate and wedges are driven under the clips to force the edges into alignment and to hold them during welding.

In a variation of this method, shown in Fig. 3-34(b), a yoke is welded to form an inverted T section. The yoke is passed through a root-spaced joint from beneath the work. Steel wedges, driven into slots in the yoke, bring the plates into alignment. The thickness of the yoke can be the same as the width of the root opening, thereby serving additionally as a spacer between plate edges.

A yoke can be used in a different way on thicker plates, as in Fig. 3-34(c). Here, the yoke is welded to

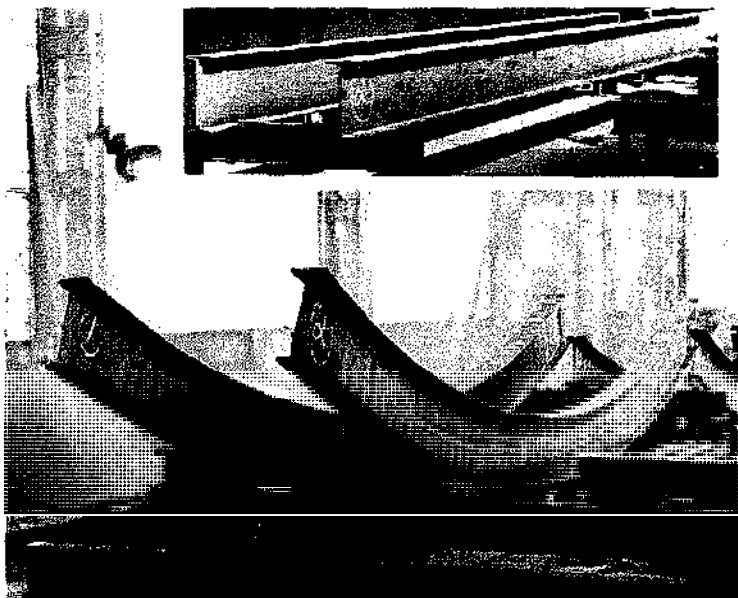


Fig. 3-32. Two beams that were fabricated in normal fashion and then curved by flame-shrinkage.

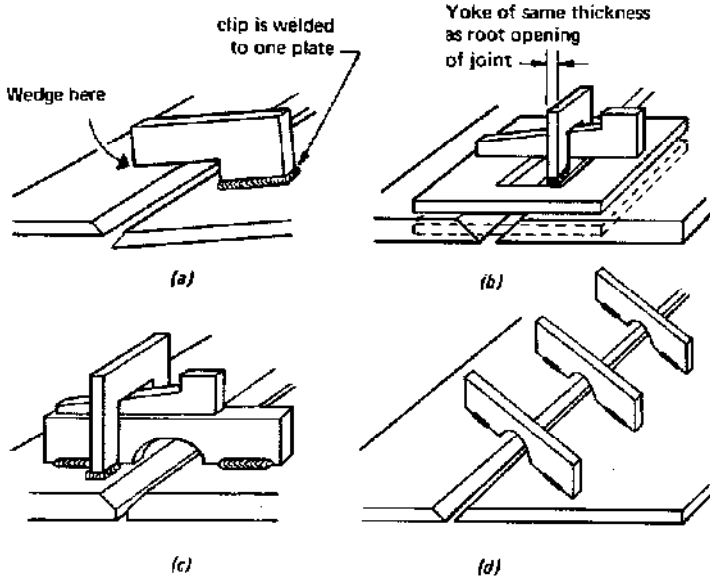


Fig. 3-34. Various strongback arrangements to control distortion during butt-welding.

the top of one plate, a bar is welded to the second plate, and a wedge is driven between the yoke and the bars. After the plates are aligned, the bar is tack-welded to the other plate, and the yoke and wedge are removed and used elsewhere on the joint. When welding is completed, the tack-welded bars are removed.

If there is concern that strongbacks may restrain the joint excessively against transverse movement as the weld shrinks, and thus increase the possibility of weld cracking, the strongbacks can be set at  $45^\circ$  to the joint, as in Fig. 3-34(d). This arrangement allows some transverse movement without loss of restraint in the longitudinal direction.

Welding of very heavy materials may require strongbacks that extend a considerable distance on each side of the joint. The arrangements shown in

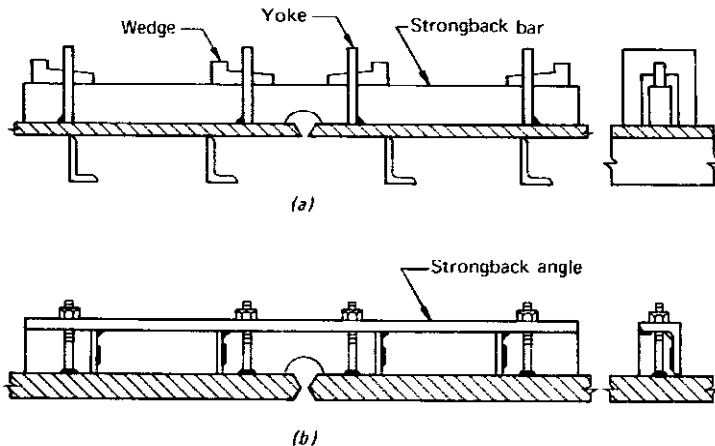


Fig. 3-35. Strongback arrangements that allow pressure to be applied at considerable distance from the joint.

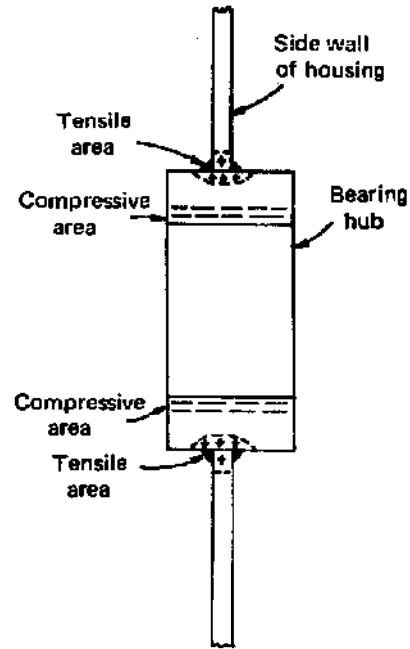


Fig. 3-36. Stress relief before machining would facilitate the boring to specified diameter this hub for a bearing support.

Fig. 3-35 allows pressure to be applied over long spans of material.

**Stress Relief:** Except in special situations, stress relief by heating is not used for correcting distortion. There are occasions, however, when stress relief is necessary to prevent further distortion from occurring before the weldment is finished.

Residual tensile stresses in the weld area can be of the order of the yield strength of the metal. Compressive stresses exist in other areas to balance the tensile stresses. After sufficient movement (distortion) has taken place to balance the stresses, there should be no further movement in the member. However, if some of the stressed material is subsequently machined out, a new unbalance of stress results. A corresponding movement of the member must then take place to rebalance tensile and compressive stresses. This new movement, or distortion, takes place gradually as machining progresses. To avoid this distortion, weldments are sometimes stress-relieved before machining operations.

An example of a weldment that required stress relief before machining is the hub for a bearing support shown in Fig. 3-36. The hub is welded into the sidewall of a housing member. The two large circumferential welds tend to shrink and assume a smaller circumference and diameter. The inner diameter of the hub resists this movement, and therefore is stressed in compression. Should the hub be bored out without a stress relief, much of the area in

compression would be removed. Removal of the balancing compressive forces would allow the welds to shrink to a smaller diameter, and the hub would become smaller as machining progresses. Without preliminary stress relief, it would be necessary to machine out the hub with many light cuts, each successively less, to arrive at the final bore diameter for the bearing. With a stress-relief operation, boring would be straightforward, to the specified diameter.

### CHECK LIST FOR MINIMIZING DISTORTION

Do not overweld.

Control the fitup.

Use intermittent welds where possible.

Use the smallest leg size permissible when fillet welding.

Use minimum root opening, included angle, and reinforcement.

Select joints that require minimal weld metal; for example, a double-V joint instead of a single-V joint.

Weld alternately on either side of the joint when possible with multiple-pass welds.

Use minimal weld passes.

Use high-deposition-rate processes.

Use high-speed welding methods — iron-powder-covered electrodes or mechanized welding.

Use methods that give deep penetration and thus reduce the amount of weld metal needed for the same strength and amount of heat input.

Use welding positioners to achieve the maximum amount of flat-position welding. The flat position permits the use of large-diameter electrodes and high-deposition-rate welding procedures.

Balance welds about the neutral axis of the member.

Distribute the welding heat as evenly as possible through a planned welding sequence and weldment positioning.

Weld toward the unrestrained part of the member.

Use clamps, fixtures, and strongbacks to maintain fitup and alignment.

Prebend the members or preset the joints to let shrinkage pull them back into alignment.

Weld those joints that contract most first.

Weld the more flexible sections first. They can be straightened, if necessary, before final assembly.

Sequence subassemblies and final assemblies so that the welds being made continually balance each other around the neutral axis of the section.



Splicing deck plate with mechanized submerged arc welding. Mechanized welding is an aid to minimize distortion.

# Arc Blow

Arc blow is a phenomenon encountered in DC arc welding when the arc stream does not follow the shortest path between the electrode and the workpiece, but is deflected forward or backward from the direction of travel or, less frequently, to one side. Unless controlled, arc blow can be the cause of difficulties in handling the molten pool and slag, excessive spatter, incomplete fusion, reduced welding speed, porosity and lowered weld quality.

Back blow occurs when welding toward the ground connection, end of a joint, or into a corner. Forward blow is encountered when welding away from the ground or at the start of the joint. Forward blow can be especially troublesome with iron-powder or other electrodes that produce large slag coverings, where the effect is to drag the heavy slag or the crater forward and under the arc.

There are two types of arc blow of concern to the weldor. Their designations — magnetic and thermal — are indicative of their origins. Of the two, magnetic arc blow is the type causing most welding problems.

## MAGNETIC ARC BLOW

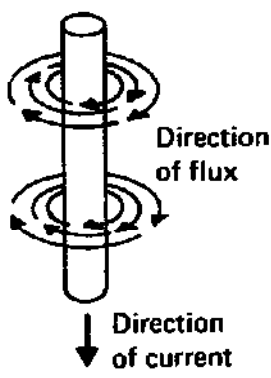
Magnetic arc blow is caused by an unbalanced condition in the magnetic field surrounding the arc. Unbalanced conditions result from the fact that at most times the arc will be farther from one end of the joint than another and will be at varying distances from the ground connection. Imbalance also

always exists because of the change in direction of the current as it flows from the electrode, through the arc, and into and through the workpiece.

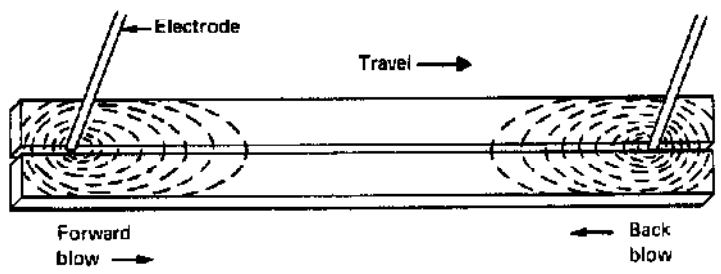
To understand arc blow, it is helpful to visualize a magnetic field. Figure 3-37 shows a DC current passing through a conductor, which could be an electrode or the ionized gas stream between an electrode and a weld joint. Around the conductor a magnetic field, or flux, is set up, with lines of force that can be represented by concentric circles in planes at right angle to the direction of the current. These circular lines of force diminish in intensity the farther they are from the electrical conductor.

They remain circular when they can stay in one medium, say air or metal, expansive enough to contain them until they diminish to essentially nothing in intensity. But if the medium changes, say from steel plate to air, the circular lines of forces are distorted; the forces tend to concentrate in the steel where they encounter less resistance. At a boundary between the edges of a steel plate and air, there is a squeezing of the magnetic flux lines, with deformation in the circular planes of force. This squeezing can result in a heavy concentration of flux behind or ahead of a welding arc. The arc then tends to move in the direction that would relieve the squeezing — would tend to restore flux balance. It veers away from the side of flux concentration — and this veering is the observed phenomenon of arc blow.

Figure 3-38 illustrates the squeezing and distortion of flux fields at the start and finish of a seam



**Fig. 3-37.** A current through a conductor sets up a magnetic field that may be represented by planes of concentric circles — "flux lines."



**Fig. 3-38.** Concentration of magnetic flux behind the arc at start of joint forces the arc forward. Flux concentration ahead of the arc at the end of the joint forces the arc backwards.



## 3.2-2 Variables in Welding Fabrication

weld. At the start, the flux lines are concentrated behind the electrode. (One might say the flux lines balk at leaving the steel plate and moving out into the air.) The arc tries to compensate for this imbalance by moving forward, creating forward arc blow. As the electrode approaches the end of the seam, the squeezing is ahead of the arc, with a resultant movement of the arc backwards, and the development of back blow. At the middle of a seam in two members of the same width, the flux field would be symmetrical, and there would be no back or forward arc blow. If one member should be wide and the other narrow, however, side blow could occur at the midpoint of the weld.

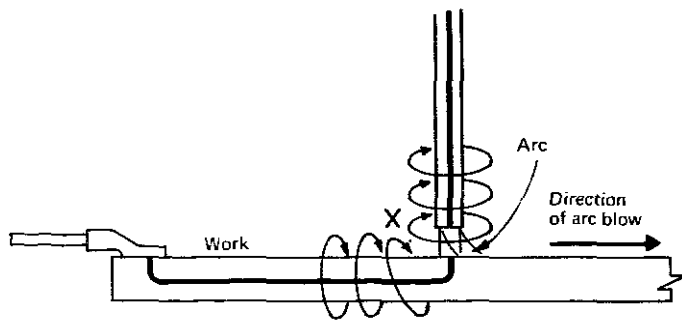


Fig. 3-39. Arc blow caused by ground effect. The magnetic flux set up by the ground current combines with the flux around the electrode causing a high flux concentration at (x) that blows the arc away from the ground connection.

The representations in Fig. 3-38 are only partly descriptive of what really happens. Another "squeezing" phenomenon also has effect on the observed arc blow. This secondary effect results from the ground current within the workpiece. As shown in Fig. 3-39, a magnetic flux is also set up by the electrical current passing through the workpiece to the ground. The heavy line represents the path of the welding current and the light lines the magnetic field set up by the current. As the current changes direction, or turns the corner from the arc to the work, a concentration of flux occurs at x, which causes the arc to blow, as indicated, away from the ground. This is called the "ground effect."

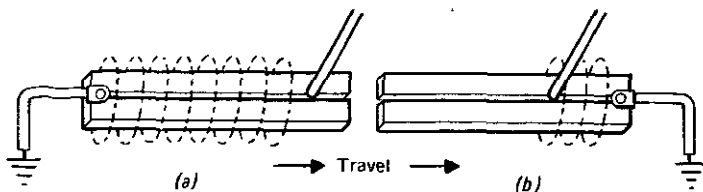


Fig. 3-40. Flux set up by ground current is behind the arc in (a), and ahead of the arc in (b).

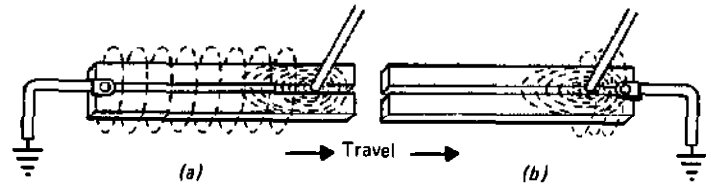


Fig. 3-41. Superimposed magnetic fields. Magnetic blow at the finish end of the joint (a) is reduced because the two flux fields tend to offset one another. At (b) the two fields are additive and cause a strong back blow.

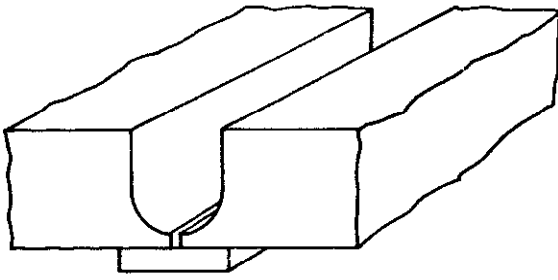
The movement of the arc because of the ground effect will combine with the movement resulting from the concentration previously described to give the observed arc blow. Since the two movements are algebraically additive, ground effect may diminish or increase the arc blow caused by the magnetic flux of the arc. In fact, control of the ground effect is one way to control arc blow, especially useful with automatic welding processes.

In Fig. 3-40(a), the ground is connected to the starting end of the seam, and the flux resulting from the ground current in the work is behind the arc. The arc movement resulting from the ground effect would, thus, be forward. At the start of the weld, this would be additive to the arc movement shown in Fig. 3-38. Near the end of the seam, however, the forward movement from the ground effect would diminish the total arc blow by cancelling some of the back blow resulting from concentration of the flux from the arc at the end of the workpiece. Figure 3-41(a) is illustrative.

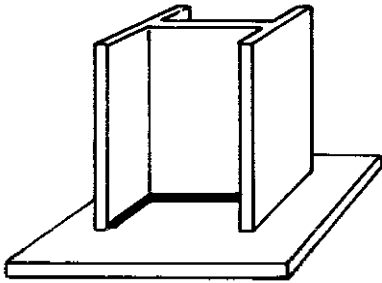
In Fig. 3-40(b), the ground is connected to the finish end of the seam, and the ground effect results in back blow. Here, it would increase the back blow of the arc flux at the finish of the weld. The combination of "squeezed" magnetic fluxes is illustrated in Fig. 3-41(b). A ground at the finish of the weld, however, may be what the welder needs to reduce excessive forward blow at the start of the weld.

Because ground effect is less forceful than concentrations of arc-derived magnetic flux at the ends of workpieces, positioning of the ground connection is only moderately effective in controlling arc blow. Other measures must also be used to reduce the difficulties caused by arc blow when welding.

Arc blow is also encountered in corners and in deep V joints. Although analysis of these situations is complicated, the cause is exactly the same as when welding a straight seam — concentrations of lines of magnetic flux and the movement of the arc to relieve such concentrations. Figures 3-42 and



**Fig. 3-42.** Arc-blow problems are frequently encountered when welding with high DC current in deep groove joints such as this. The use of AC current may be an expedient solution.



**Fig. 3-43.** Considerable arc blow can be expected when placing this "inside" fillet, using DC current. AC may be the solution.

3-43 illustrate situations in which arc blow with DC current is likely to be a problem.

There is less arc blow with low current than with high current. This is because the intensity of the magnetic field a given distance from the conductor of electric current is proportional to the current. Usually, serious arc-blow problems do not occur when stick-electrode welding with DC up to about 250 amperes, but this is not an exact parameter since joint fitup and geometry could have major influence. With submerged-arc welding, still higher currents can often be used without creating arc-blow problems. The granular flux used with the submerged-arc process tends to dampen the arc-blow caused by magnetic fields.

The use of AC current markedly reduces arc blow. The rapid reversal of the current induces eddy currents in the base metal, and the fields set up by the eddy currents greatly reduce the strength of the magnetic fields that cause arc blow.

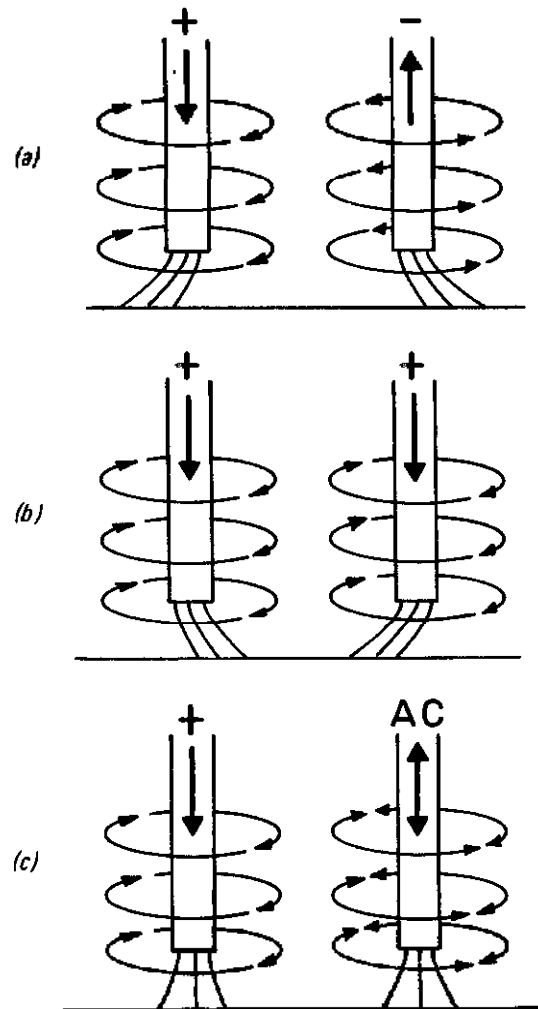
## THERMAL ARC BLOW

The physics of the electric arc requires a hot spot on both the electrode and plate to maintain a continuous flow of current in the arc stream. As the electrode is advanced along the work, the arc will

tend to lag behind. This natural lag of the arc is caused by the reluctance of the arc to move to the colder plate. The space between the end of the electrode and the hot surface of the molten crater is ionized and, therefore, is a more conductive path than from the electrode to the colder plate. When the welding is done manually, the small amount of "thermal back blow" due to the arc lag is not detrimental, but it may become a problem with the higher speeds of automatic welding or when the thermal back blow is added to magnetic back blow.

## ARC BLOW WITH MULTIPLE ARCS

When two arcs are close to each other, their magnetic fields react to cause arc blow on both arcs. Multiple arcs are often used to increase the welding speed of the submerged-arc process, and usually the arcs are less than one inch apart.



**Fig. 3-44.** Reactions of the magnetic fields when two arcs are close together: (a) arcs are of different polarities; the magnetic fields are additive and the arcs blow outward; (b) arcs are same polarity; magnetic fields oppose and the arcs blow inward; (c) arcs are DC and AC; little magnetic blow occurs.

When two arcs are close and are of opposite polarities, as in Fig. 3-44(a), the magnetic fields between the arcs add to each other. The strong field between the arcs causes the arcs to blow away from each other.

If the arcs are the same polarity, as in Fig. 3-44(b), the magnetic fields between the arcs oppose each other. This results in a weaker field between the arcs, causing the arcs to blow toward each other.

Usually, when two arcs are used, one is DC and the other AC, as shown in Fig. 3-44(c). The flux field of the AC arc completely reverses for each cycle, and the effect on the DC field is small. Very little arc blow results.

Another commonly used arrangement is two AC arcs. Arc-blow interference here is avoided to a large extent by phase-shifting the current of one arc 80 to 90 degrees from the other arc. A so-called "Scott" connection accomplishes this automatically. With the phase shift, the current and magnetic fields of one arc reach a maximum when the current and magnetic fields of the other arc are at or near minimum. As a result, there is very little arc blow.

### HOW TO REDUCE ARC BLOW

All arc blow is not detrimental. In fact, a small amount of arc blow can sometimes be used beneficially to help form the bead shape, control molten slag, and control penetration.

When arc blow is causing or contributing to such defects as undercut, inconsistent penetration, crooked beads, beads of irregular width, porosity, wavy beads, and excessive spatter, it must be controlled. Possible corrective measures have already been suggested in the preceding text. In general, here are some methods that might be considered:

- If DC current is being used with the shielded metal-arc process — especially at rates above 250 amperes — a change to AC current may eliminate problems.
- Hold as short an arc as possible to help the arc force counteract the arc blow.

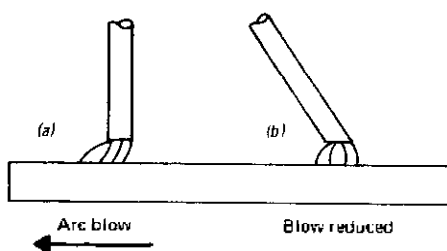


Fig. 3-45. Arc blow, as in (a), can sometimes be corrected by angling the electrode, as in (b).

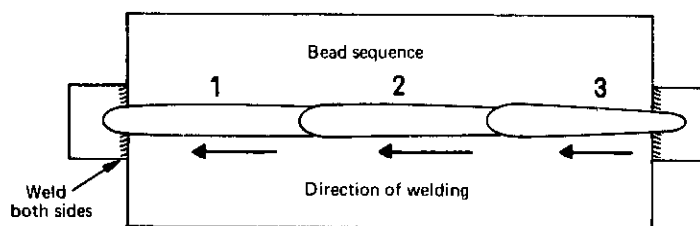


Fig. 3-46. Direction of welding and the sequence of beads for the back-step technique. Note tabs on both ends of the seam. Tabs should be the same thickness as the work.

- Reduce the welding current — which may require a reduction in arc speed.
- Angle the electrode with the work opposite the direction of arc blow, as illustrated in Fig. 3-45.
- Make a heavy tack weld on both ends of the seam; apply frequent tack welds along the seam, especially if the fitup is not tight.
- Weld toward a heavy tack or toward a weld already made.
- Use a back-step welding technique, as shown in Fig. 3-46.
- Weld away from the ground to reduce back blow; weld toward the ground to reduce forward blow.
- With processes where a heavy slag is involved, a small amount of back blow may be desirable; to get this, weld toward the ground.
- Wrap ground cable around the workpiece and pass ground current through it in such a direction that the magnetic field set up will tend to neutralize the magnetic field causing the arc blow.

The direction of the arc blow can be observed with an open-arc process, but with the submerged-arc process must be determined by the type of weld defect.

Back blow is indicated by the following:

Spatter.

Undercut, either continuous or intermittent.

Narrow, high bead, usually with undercut.

An increase in penetration.

Surface porosity at the finish end of welds on sheet metal.

Forward blow is indicated by:

A wide bead, irregular in width.

Wavy bead.

Undercut, usually intermittent.

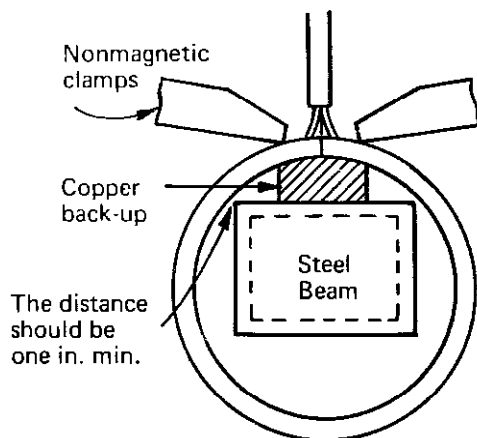
A decrease in penetration.

## THE EFFECTS OF FIXTURING ON ARC BLOW

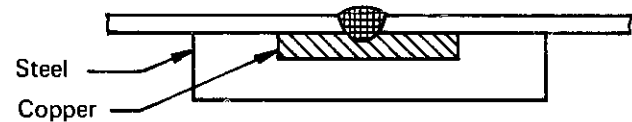
Steel fixtures for holding the workpieces may have an effect on the magnetic field around the arc and, thus, on arc blow. Usually, the fixturing causes no problem with stick-electrode welding when the current does not exceed 250 amperes. Fixtures for use with higher currents and with mechanized welding should be designed with precautions taken so that an arc-blow-promoting situation is not built into the fixture.

Each fixturing device may require special study to ascertain the best way to prevent the fixture from interfering deleteriously with the magnetic fields. The following are some points to note:

- Fixtures for welding the longitudinal seam of cylinders (Fig. 3-47) should be designed for a



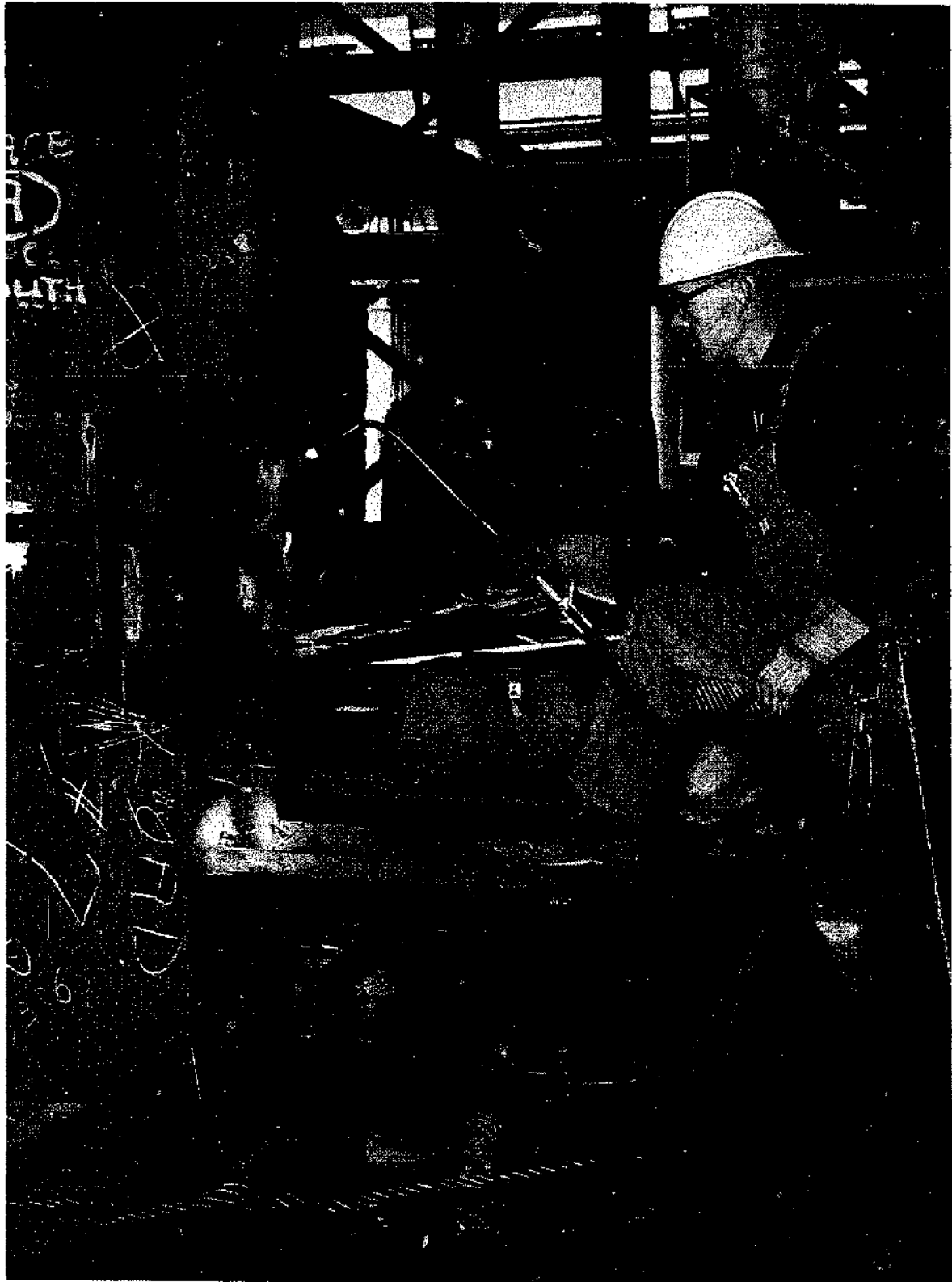
**Fig. 3-47.** Welding fixtures for clamping cylindrical work should have at least 1 in. of clearance between work and supporting beam. Clamps near the arc should be nonmagnetic.



**Fig. 3-48.** A copper insert in a steel backup bar should not be used. The steel of the backup bar will increase arc blow.

minimum of 1-in. clearance between the supporting beam and the work. The clamping fingers or bars that hold the work should be nonmagnetic. Do not attach the ground cable to the copper backup bar; ground directly to the work if possible.

- Fabricate the fixture from low-carbon steel. This is to prevent the buildup of permanent magnetism in the fixture.
- Welding toward the closed end of "horn type" fixtures reduces back blow.
- Design the fixture long enough so that end tabs can be used if necessary.
- Do not use a copper strip inserted in a steel bar for a backing, as in Fig. 3-48. The steel part of the backup bar will increase arc blow.
- Provide for continuous or close clamping of parts to be seam-welded. Wide, intermittent clamping may cause seams to gap between clamping points, resulting in arc blow over the gaps.
- Do not build into the fixture large masses of steel on one side of the seam only. Counter-balance with a similar mass on the other side.



Maintaining preheat on a large column splice before welding with the self-shielded flux-cored process.

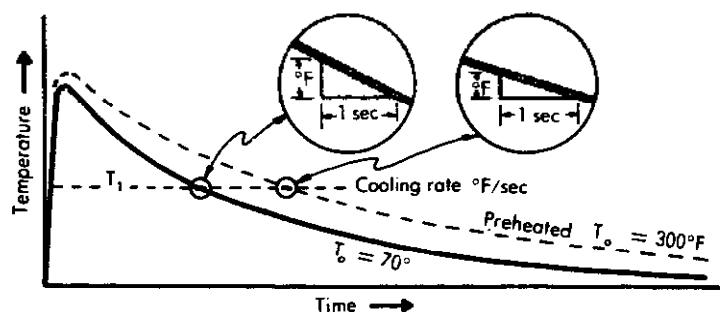
## Preheating and Stress Relieving

In some welding operations, it is necessary to apply heat to the assembly before starting the welding. In others, a postheat — or application of heat after welding — is needed to relieve the internal stresses that have been developed. With certain weldments, heat may also be applied between welding passes to maintain a required temperature. Each of these applications of heat has a bearing on the quality of weld or the integrity of the finished weldment, and, in code work, control of temperature before, during, and after welding may be rigidly specified.

### PREHEATING — WHEN AND WHY

Preheating is used for one of the following reasons:

1. To reduce shrinkage stresses in the weld and adjacent base metal — especially important with highly restrained joints.
2. To provide a slower rate of cooling through the critical temperature range (about 1600°F to 1330°F), preventing excessive hardening and lowering ductility of both the weld and heat-affected area of the base plate.
3. To provide a slower rate of cooling through the 400°F range, allowing more time for any hydrogen that is present to diffuse away



**Fig. 3-49.** A main purpose of preheat is to slow down the cooling rate. As the insets show, there is a greater temperature drop in one second at a given temperature ( $T_1$ ) when the initial temperature of the plate is 70°F than when the initial temperature is 300°F. In other words, the cooling rate (°F/sec) is slower when preheat is used.

from the weld and adjacent plate to avoid underbead cracking.

As suggested by the above, a main purpose of preheat is to slow down the cooling rate — to allow more “Time at Temperature,” as illustrated in Fig. 3-49. Thus, the amount of heat in the weld area as well as the temperature is important. A thick plate could be preheated to a specified temperature in a localized area and the heating be ineffective because of rapid heat transfer, the reduction of heat in the welding area, and, thus, no marked effect on slowing the cooling rate. Having a thin surface area at a preheat temperature is not enough if there is a mass of cold metal beneath it into which the heat can rapidly transfer.

Because of the heat-absorption capacity of a thick plate, the heat-affected zone and the weld metal after cooling may be in a highly quenched condition unless sufficient preheat is provided. What really matters is how long the weld metal and adjacent base metal is maintained in a certain temperature range during the cooling period. This, in turn depends on the amount of heat in the assembly and the heat transfer properties of the material and its configuration. Without adequate preheat, the cooling could be rapid and intolerably high hardness and brittleness could occur in the weld or adjacent area.

Welding at low ambient temperatures or on steel brought in from outside storage on cold winter days greatly increases the need for preheat. It is true that preheating rids the joint of moisture, but preheating is usually not specified for that purpose.

### The Amount of Preheat Required

The amount of preheat required for any application depends on such factors as base metal chemistry, plate thickness, restraint and rigidity of the members, and heat input of the process. Unfortunately, there is no method for metering the amount of heat put into an assembly by a preheat torch. The best shop approach for estimating the preheat input is a measure of the temperature at the welding area by temperature-indicating crayon marks or pellets. These give approximate measures of temperature at

TABLE 3-3. MINIMUM PREHEAT AND INTERPASS TEMPERATURE, AWS D1.1-REV. 1-73, 2-74 Table 4.2.1.2 (Degrees F)

Welding Process		Thickness of Thickest Part at Point of Welding - Inches		Over 3/4 to 1-1/2 incl.		Over 1-1/2 to 2-1/2, incl.		Over 2-1/2	
Shielded Metal-Arc Welding with Low-Hydrogen Electrodes; Submerged-Arc Welding with Carbon or Alloy Steel Wire, Neutral Flux; Gas Metal-Arc Welding; or Flux-Cored Arc Welding	Shielded Metal-Arc Welding with Low-Hydrogen Electrodes; Submerged-Arc Welding with Carbon or Alloy Steel Wire, Neutral Flux; Gas Metal-Arc Welding; or Flux-Cored Arc Welding	Shielded Metal-Arc Welding with Low-Hydrogen Electrodes; Submerged-Arc Welding with Carbon or Alloy Steel Wire, Neutral Flux; Gas Metal-Arc Welding; or Flux-Cored Arc Welding	Shielded Metal-Arc Welding with Low-Hydrogen Electrodes; Submerged-Arc Welding with Carbon or Alloy Steel Wire, Neutral Flux; Gas Metal-Arc Welding; or Flux-Cored Arc Welding	ASTM A36, A106, A131, A139, A242 Weldable Grade, A375, A381 Gr. B, A375, A381 Gr. Y35, A441, A516 Gr. 65 and 70, A524, A529, A537 Class 1 and 2, A570 Gr. D and E, A572 Gr. 42, 45, 50, A573 Gr. 65, A588, A618, API 5L Gr. B and 5LX Gr. 42; ABS Gr. A, B, C, S, D, E, R, AH, DH, EH	ASTM A572, Grades 55, 60 and 65	ASTM A514, A517	ASTM A514, A517	None <sup>3</sup>	None <sup>3</sup>
Shielded Metal-Arc Welding with Low-Hydrogen Electrodes; Submerged-Arc Welding with Carbon or Alloy Steel Wire, Neutral Flux; Gas Metal-Arc Welding; or Flux-Cored Arc Welding	Shielded Metal-Arc Welding with Low-Hydrogen Electrodes; Submerged-Arc Welding with Carbon or Alloy Steel Wire, Neutral Flux; Gas Metal-Arc Welding; or Flux-Cored Arc Welding	Shielded Metal-Arc Welding with Low-Hydrogen Electrodes; Submerged-Arc Welding with Carbon or Alloy Steel Wire, Neutral Flux; Gas Metal-Arc Welding; or Flux-Cored Arc Welding	Shielded Metal-Arc Welding with Low-Hydrogen Electrodes; Submerged-Arc Welding with Carbon or Alloy Steel Wire, Neutral Flux; Gas Metal-Arc Welding; or Flux-Cored Arc Welding	ASTM A36, A106, A131, A139, A242 Weldable Grade, A375, A381 Gr. B, A375, A381 Gr. Y35, A441, A516 Gr. 65 and 70, A524, A529, A537 Class 1 and 2, A570 Gr. D and E, A572 Gr. 42, 45, 50, A573 Gr. 65, A588, A618, API 5L Gr. B and 5LX Gr. 42; ABS Gr. A, B, C, S, D, E, R, AH, DH, EH	ASTM A572, Grades 55, 60 and 65	ASTM A514, A517	ASTM A514, A517	None <sup>3</sup>	None <sup>3</sup>
Shielded Metal-Arc Welding with Low-Hydrogen Electrodes; Submerged-Arc Welding with Carbon or Alloy Steel Wire, Neutral Flux; Gas Metal-Arc Welding; or Flux-Cored Arc Welding	Shielded Metal-Arc Welding with Low-Hydrogen Electrodes; Submerged-Arc Welding with Carbon or Alloy Steel Wire, Neutral Flux; Gas Metal-Arc Welding; or Flux-Cored Arc Welding	Shielded Metal-Arc Welding with Low-Hydrogen Electrodes; Submerged-Arc Welding with Carbon or Alloy Steel Wire, Neutral Flux; Gas Metal-Arc Welding; or Flux-Cored Arc Welding	Shielded Metal-Arc Welding with Low-Hydrogen Electrodes; Submerged-Arc Welding with Carbon or Alloy Steel Wire, Neutral Flux; Gas Metal-Arc Welding; or Flux-Cored Arc Welding	ASTM A36, A106, A131, A139, A242 Weldable Grade, A375, A381 Gr. B, A375, A381 Gr. Y35, A441, A516 Gr. 65 and 70, A524, A529, A537 Class 1 and 2, A570 Gr. D and E, A572 Gr. 42, 45, 50, A573 Gr. 65, A588, A618, API 5L Gr. B and 5LX Gr. 42; ABS Gr. A, B, C, S, D, E, R, AH, DH, EH	ASTM A572, Grades 55, 60 and 65	ASTM A514, A517	ASTM A514, A517	None <sup>3</sup>	None <sup>3</sup>
Shielded Metal-Arc Welding with Low-Hydrogen Electrodes; Submerged-Arc Welding with Carbon or Alloy Steel Wire, Neutral Flux; Gas Metal-Arc Welding; or Flux-Cored Arc Welding	Shielded Metal-Arc Welding with Low-Hydrogen Electrodes; Submerged-Arc Welding with Carbon or Alloy Steel Wire, Neutral Flux; Gas Metal-Arc Welding; or Flux-Cored Arc Welding	Shielded Metal-Arc Welding with Low-Hydrogen Electrodes; Submerged-Arc Welding with Carbon or Alloy Steel Wire, Neutral Flux; Gas Metal-Arc Welding; or Flux-Cored Arc Welding	Shielded Metal-Arc Welding with Low-Hydrogen Electrodes; Submerged-Arc Welding with Carbon or Alloy Steel Wire, Neutral Flux; Gas Metal-Arc Welding; or Flux-Cored Arc Welding	ASTM A36, A106, A131, A139, A242 Weldable Grade, A375, A381 Gr. B, A375, A381 Gr. Y35, A441, A516 Gr. 65 and 70, A524, A529, A537 Class 1 and 2, A570 Gr. D and E, A572 Gr. 42, 45, 50, A573 Gr. 65, A588, A618, API 5L Gr. B and 5LX Gr. 42; ABS Gr. A, B, C, S, D, E, R, AH, DH, EH	ASTM A572, Grades 55, 60 and 65	ASTM A514, A517	ASTM A514, A517	None <sup>3</sup>	None <sup>3</sup>
Shielded Metal-Arc Welding with Low-Hydrogen Electrodes; Submerged-Arc Welding with Carbon or Alloy Steel Wire, Neutral Flux; Gas Metal-Arc Welding; or Flux-Cored Arc Welding	Shielded Metal-Arc Welding with Low-Hydrogen Electrodes; Submerged-Arc Welding with Carbon or Alloy Steel Wire, Neutral Flux; Gas Metal-Arc Welding; or Flux-Cored Arc Welding	Shielded Metal-Arc Welding with Low-Hydrogen Electrodes; Submerged-Arc Welding with Carbon or Alloy Steel Wire, Neutral Flux; Gas Metal-Arc Welding; or Flux-Cored Arc Welding	Shielded Metal-Arc Welding with Low-Hydrogen Electrodes; Submerged-Arc Welding with Carbon or Alloy Steel Wire, Neutral Flux; Gas Metal-Arc Welding; or Flux-Cored Arc Welding	ASTM A36, A106, A131, A139, A242 Weldable Grade, A375, A381 Gr. B, A375, A381 Gr. Y35, A441, A516 Gr. 65 and 70, A524, A529, A537 Class 1 and 2, A570 Gr. D and E, A572 Gr. 42, 45, 50, A573 Gr. 65, A588, A618, API 5L Gr. B and 5LX Gr. 42; ABS Gr. A, B, C, S, D, E, R, AH, DH, EH	ASTM A572, Grades 55, 60 and 65	ASTM A514, A517	ASTM A514, A517	None <sup>3</sup>	None <sup>3</sup>

- Welding shall not be done when the ambient temperature is lower than zero F. When the base metal is below the temperature listed for the welding process being used and the thickness of material being welded, it shall be preheated (except as otherwise provided) in such manner that the surfaces of the parts on which weld metal is being deposited are at or above the specified minimum temperature for a distance equal to the thickness of the part being welded, but not less than 3 in., both laterally and in advance of the welding. Preheat and interpass temperatures must be sufficient to prevent crack formation. Temperature above the minimum shown may be required for highly restrained welds. For quenched and tempered steel the maximum preheat and interpass temperature shall not exceed 400°F for thickness up to 1-1/2 in., inclusive, and 450°F for greater thicknesses. Heat input when welding quenched and tempered steel shall not exceed the steel producer's recommendation.
- In joints involving combinations of base metals, preheat shall be as specified for the higher strength steel being welded.
- When the base metal temperature is below 32°F, preheat the base metal to at least 70°F and maintain this minimum temperature during welding.
- Only low-hydrogen electrodes shall be used for welding A36 steel more than 1 inch thick for bridges.

the spots where they are placed, which measurements are taken as indices to the heat input and are correlated with thickness of metal and chemistry of metal in tables specifying minimum preheat temperatures. Thus, temperature is the gage to preheat inputs, and preheating to specified temperatures is the practical method of obtaining the amount of preheat needed to control the cooling rate after welding. There are various guides for use in estimating preheat temperatures, including the recommendation of the suppliers of special steels. No guide, however, can be completely and universally applicable because of the varying factors of rigidity and restraint in assemblies. Recommendations are, thus, presented as "minimum preheat recommendations," and they should be accepted as such. However, the quenched and tempered steels can be damaged if the preheat is too high and the precautions necessary for these steels are discussed later.

The American Welding Society and the American Institute of Steel Construction have established minimum preheat and interpass temperature requirements for common weldable steels, as shown in

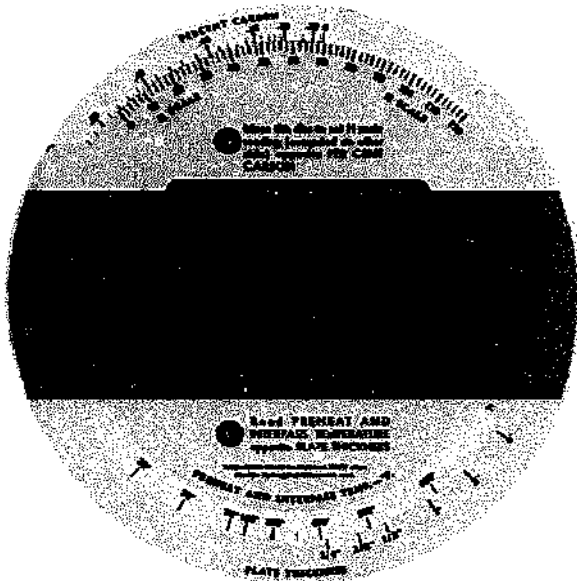


Fig. 3-50. The Lincoln Preheat and Interpass Temperature Calculator is a convenient tool for estimating preheats.

Table 3-3. While material thickness, ranges of metal chemistry, and the welding process are taken into account in the minimum requirements, some adjustments may be needed for specific steel chemistry, welding heat input, joint geometry, and other factors.

Generally, the higher the carbon content of a steel, the lower the critical cooling rate and the greater the necessity for preheating and using low-hydrogen electrodes. The Lincoln Preheat and Interpass Temperature Calculator (Fig. 3-50), available from The Lincoln Electric Company, is a convenient tool to use in estimating preheats or adjusting recommended temperatures to specific carbon contents and low alloy additions.

Carbon, however, is not the only element that influences the critical cooling rate. Other elements in the steel are responsible for the hardening and loss of ductility that occur with rapid cooling. Total hardenability is thus a factor to be considered when determining preheat requirements. Total hardenability can be expressed in terms of a "carbon equivalent," and this common measure of the effects of carbon and other alloying elements on hardening can be the basis for preheat and interpass temperature estimates.

Carbon equivalents ( $C_{eq}$ ) are empirical values, determined by various carbon-equivalent formulas that represent the sum of the effects of various elements in steel on its hardenability. One of these is:

$$C_{eq} = \% C + \frac{\% Mn}{6} + \frac{\% Ni}{15} + \frac{\% Mo}{4} + \frac{\% Cr}{4} + \frac{\% Cu}{13}$$

This formula is valid only if the alloy contents are less than the following:

0.50% C	3.50% Ni	1.00% Cr
1.60% Mn	0.60% Mo	1.00% Cu

Approximate preheat and interpass temperatures, based on carbon-equivalent values for steels, are:

$C_{eq}$ up to 0.45%	... preheat is optional
$C_{eq} = 0.45$ to 0.60%	... 200 to 400°F
$C_{eq}$ over 0.60%	... 400 to 700°F

These temperatures are only approximate and are expressed in broad ranges. The carbon-equivalent method of arriving at a preheat range has utility largely when working with steels of unusual chemistries, when the alloy contents fall within the limits specified for the particular formula. Once the carbon-equivalent of such a steel has been determined, it can be correlated to a steel listed in Table 3-3 with a similar carbon-equivalent to judge the effects of plate thickness and the welding process in narrowing the preheat-temperature range.

Whatever the method used to estimate preheat temperature, the value obtained should be confirmed by welding tests on simulated or actual assemblies before it is committed to production welding. Only then can the effects of restraint and welding heat input be taken into account.

Theoretically, it is possible to reduce the preheat temperature requirement below the value listed in preheat tables when using welding currents in the high range of the procedures for semiautomatic and automatic processes. The justification for this is that the welding heat input is likely to be much higher than anticipated by the preheat recommendations. In such cases, heat losses from the assembly might more than be balanced by the welding heat input, bringing the affected metal up to or beyond the minimum preheat and interpass recommendations before it starts to cool.

The heat input during welding for a specific welding procedure is readily calculated by the formula:

$$J = \frac{E I 60}{V 1000} \dots \dots \dots 1$$

where:

- J = Heat input in kilojoules/in. or kilowatt-sec/in.
- E = Arc voltage in volts
- I = Welding current in amperes
- V = Arc speed in in./min.



Since all of the welding heat input at the arc does not enter the plate, the following heat inefficiencies are suggested for use with the formula:

75 — 80% for manual welding

90 — 100% for submerged-arc welding

Only after thorough analysis and test of the heat input, transfer, and loss factors should one deviate from recommended practices. A bulletin, entitled "Why Preheat — An Approach to Estimating Correct Preheat Temperature," by Omer W. Blodgett, available from The Lincoln Electric Company, elaborates on the analysis of heat input during welding and describes methods for determining cooling rates and for calculating preheat temperatures that will produce the required cooling rates for given heat inputs and plate thicknesses.

#### Methods of Preheating

The method of preheating depends on the thickness of the plate, the size of the weldment, and the heating equipment available. In the production welding of small assemblies, preheating in a furnace is the most satisfactory method. Another satisfactory method is torch heating, using natural gas premixed with compressed air. This produces a hot flame and burns clean. Torches can be connected to convenient gas and compressed-air outlets around the shop. Acetylene, propane and oil torches can also be used. On large weldments, banks of heating torches may be used to bring the material up to temperature quickly and uniformly.

Electrical strip heaters are used on longitudinal and girth seams on plate up to 2 in. thick. The heaters are clamped to the plate parallel to the joint and about 6 in. from the seam. After the plate reaches the proper preheat temperature, the heaters may remain in place to add heat if necessary to maintain the proper interpass temperature.

Other means of preheating are induction heating — often used on piping — and radiant heating.

High accuracy is not required in preheating carbon steels. Although it is important that the work be heated to a minimum temperature, no harm is done if this temperature is exceeded by 100°F. This is not true, however, for quenched and tempered steels, since welding on an overheated plate may cause damage in the heat-affected zone. For this reason the temperature should be measured as accurately as possible with such steels.

Temperature-indicating crayons and pellets are available for a wide range of temperatures. A crayon mark for a given temperature on the work will melt

suddenly when the work reaches that temperature. Two crayon marks, one for the lower limit and one for the upper limit of temperature, show clearly when the work is heated to the desired temperature range.

Several types of portable pyrometers are available for measuring surface temperature. Properly used, these instruments are sufficiently accurate, but must be periodically calibrated to insure reliability.

Thermocouples may be attached to the work and used to measure temperature. Thermocouples, of course, are the temperature-sensing devices in various types of ovens used for preheating small assemblies.

#### INTERPASS TEMPERATURES

Usually a steel that requires preheating to a specified temperature also must be kept at this temperature between weld passes. With many weldments, the heat input during welding is adequate to maintain the interpass temperature. On a massive weldment, it is not likely that the heat input of the welding process will be sufficient to maintain the required interpass temperature. If this is the case, torch heating between passes may be required.

Once an assembly has been preheated and the welding begun, it is desirable to finish the welding as soon as possible so as to avoid the need for interpass heating.

Since the purpose of preheating is to reduce the quench rate, it logically follows that the same slow cooling should be accorded all passes. This can only be accomplished by maintaining an interpass temperature which is at least equal to the preheat temperature. If this is not done, each individual bead will be subjected to the same high quench rate as the first bead of a non-preheated assembly.

#### PREHEATS FOR QUENCHED AND TEMPERED STEELS

Since the low-alloy quenched and tempered steels are already in a heat-treated condition, any heating beyond a certain temperature will destroy the properties developed in them by the manufacturing process. Some assemblies must be preheated before welding to prevent cracking on rapid cooling, but the preheat must be controlled so as not to destroy throughout the mass of material the high yield strength and toughness that characterize these steels and give them special applications. Yet, during

**TABLE 3-4. Comparison Chart of Suggested Preheat Temperatures When Shielded Metal-Arc Welding Representative Quenched and Tempered Alloy Steels**

Plate thickness, in.	Minimum preheat or interpass temperature for welding with low-hydrogen electrodes, °F						
	A533B Steel	A517 Steel	A542 Steel	A543 Steel	HY-130 Steel	Mod. A203D Steel	A553 Steel
To 1/2, incl.	50	50	150	100	75	50	50
Over 1/2 to 5/8, incl.	100	50	200	125	75	50	50
Over 5/8 to 3/4, incl.	100	50	200	125	125	50	50
Over 3/4 to 7/8, incl.	100	50	200	150	125	50	50
Over 7/8 to 1, incl.	100	50	200	150	200	50	50
Over 1 to 1-3/8, incl.	200	150	250	200	200	150	150
Over 1-3/8 to 1-1/2, incl.	200	150	250	200	225	150	150
Over 1-1/2 to 2, incl.	200	150	250	200	225	150	150
Over 2 to 3, incl.	300	200	300	200	225	200	200
Over 3	300	200	300	200	225	200	200

Note: A preheat temperature above the minimum may be required for highly restrained welds. No welding should be done when ambient temperature is below 0°F. Welding of steel at an initial temperature below 100°F may require preheating to remove moisture from the surface of the steel. From ASM Metals Handbook, Volume 6, 8th Edition.

welding the heat-affected zone will be heated far above the allowable preheat temperatures. This zone must then cool rapidly enough so as to re-establish the original properties and avoid a brittle structure. As a consequence, preheat temperatures and welding heat inputs must be closely controlled. Narrow limits are thus placed on the procedures.

Through research, welding procedures have been developed that assure high strength and good toughness, ductility, and impact properties in the welded joints. The recommended heat inputs and preheat temperatures are intended to allow sufficiently fast cooling rates to avoid brittle structure. In general, this means a cooling rate of 6°F or more per second through the 900°F temperature range. The chemistry of these steels is such that the carbon equivalent is low enough to minimize the preheat.

In welding quenched and tempered steels, the proper low-hydrogen welding process is selected. Next, the required preheat temperature is determined, based upon the chemistry of the weld metal and plate thickness. Knowing the preheat temperature and the plate thickness, the maximum permissible welding heat input per pass can be found. A welding procedure is then selected that will stay below this maximum value. Welding heat input may be reduced by decreasing the welding current or increasing the arc travel speed. Either change will decrease the amount of weld metal deposited per pass and will result in more passes being used for a given joint. For this reason, stringer beads are used extensively in welding quenched and tempered steels.

Tables 3-4, 3-5, 3-6, 3-7, 3-8, and 3-9 give recommended minimum preheat temperatures and

maximum welding heat inputs for various quenched and tempered steels in various thicknesses. Kilojoules per inch of weld in the heat-input table is determined by the Formula (1) in this section. Similar data on other steels of this type are available from the steel producers.

**TABLE 3-5. Suggested Preheat Temperatures for ASTM A517, Grade B, F, and H Steels**

Plate thickness, in.	Minimum* preheat or interpass temperature, °F			
	Shielded metal-arc process	Gas metal-arc process	Submerged-arc Process	
			Alloy or carbon-steel wire, neutral flux	Carbon-steel wire, alloy flux
Up to 1/2, incl.	50†	50†	50†	50†
Over 1/2 to 1, incl.	50†	50†	50†	200
Over 1 to 2, incl.	150	150	150	300
Over 2	200	200	200	400

\* A preheat temperature above the minimum shown may be required for highly restrained welds.

† Welding at any initial plate temperature below 100°F will require extreme care to minimize moisture on the steel being welded.

**TABLE 3-6. Maximum Welding Heat Input in Kilojoules/Inch for Butt Joints in ASTM A533, Grade B Steel**

Preheat and interpass temperature, °F	Plate thickness, in.				
	1/4	3/8	1/2	5/8	3/4
70	23.7	35.6	47.4	64.5	88.6
150	20.9	31.4	41.9	57.4	77.4
200	19.2	28.8	38.5	53.0	69.9
300	15.8	23.8	31.9	42.5	55.7
400	12.3	19.1	25.9	33.5	41.9

**TABLE 3-7. Maximum Welding Heat Input in Kilojoules/Inch for Butt Joints in ASTM A517, Grade B and H Steels**

Preheat and inter-pass temperature, °F	Plate thickness, in.							
	3/16	1/4	3/8	1/2	5/8	3/4	1	1-1/4 and over
70	17.5	23.7	35.0	47.4	64.5	88.6	Any	Any
150	15.3	20.9	30.7	41.9	57.4	77.4	120.0	Any
200	14.0	19.2	28.0	35.5	53.0	69.9	110.3	154.0
300	11.5	15.8	23.5	31.9	42.5	55.7	86.0	120.0
400	9.0	12.3	18.5	25.9	33.5	41.9	65.6	94.0

**TABLE 3-8. Maximum Welding Heat Input in Kilojoules/Inch for Butt Joints in ASTM A517, Grade F Steel**

Preheat and inter-pass temperature, °F	Plate thickness, in.							
	3/16	1/4	1/2	3/4	1	1-1/4	1-1/2	2
70	27.0	36.0	70.0	121.0	Any	Any	Any	Any
200	21.0	29.0	56.0	99.0	173.0	Any	Any	Any
300	17.0	24.0	47.0	82.0	126.0	175.0	Any	Any
400	13.0	19.0	40.0	65.0	93.0	127.0	165.0	Any

Note: Heat-input limits for temperatures and thicknesses included, but not shown, in this table may be obtained by interpolation; 25% higher heat inputs are allowable for fillet welds.

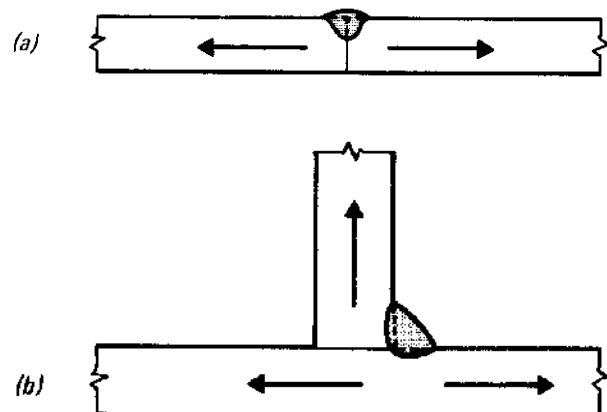
Sometimes, the procedures most desirable from the economic standpoint in welding these steels will lead to a total heat input — preheat plus welding heat — that exceeds the steel manufacturer’s recommendations. In such cases, one might question whether the weldment needs maximum notch toughness as well as high yield strength. If it does, the procedures should be modified to reduce the total heat input — not the preheat. Reducing preheat would be too risky, since such action might lead to weld cracking, and maximum toughness in the heat-affected zone would then be of no value. If maximum notch toughness is not required, total heat input limits can be exceeded somewhat without materially reducing the yield strength but there is little information for fatigue and impact properties.

**TABLE 3-9. Suggested Welding Heat Input for Joints in HY-130 Steel**

Plate thickness-in.	Heat input, Kilojoules	
	Shielded metal-arc process	Gas metal-arc process
3/8 to 5/8, incl.	40	35
Over 5/8 to 7/8, incl.	45	40
Over 7/8 to 1-3/8, incl.	45	45
Over 1-3/8 to 4, incl.	50	50

**POINTERS ON PREHEAT**

- A cardinal rule when welding materials that require preheat is “keep it hot.” It is costly to reheat to maintain assembly temperature.
- Preheat requirements can be reduced when running two automatic welding heads a few inches from each other — such as on each side of a web that is being fillet-welded to a flange. The heat input into the flange will be essentially double that resulting from a single head.



**Fig. 3-51.** Heat has two avenues of escape from a conventional butt weld (bi-thermal heat flow) and three avenues of escape from a conventional fillet weld (tri-thermal heat flow).

- Don't overlook the value of a preheat to prevent weld cracking in weldments with highly restrained joints — even though the chemistry of the steel does not call for a preheat.
- Heat flow from the joint is faster at a fillet weld than at a butt weld. Heat has three avenues for escape from a conventional fillet (tri-thermal heat flow); two, from a conventional butt weld (bi-thermal heat flow). This is made clear by Fig. 3-51.
- Even though adequately preheating a thick section increases the fabrication cost, one experience with field repairs usually teaches that preheating is well worth the cost.
- Consider the use of lower alloy metal — even for highly restrained joints — to minimize the need for preheating.

## STRESS RELIEF

Stress relieving is defined as heating to a suitable temperature (for steel, below the critical); holding long enough to reduce residual stresses; and then cooling slowly enough to minimize the development of new residual stresses. Stress relieving should not be confused with normalizing or annealing, which are done at higher temperatures.

The ASME Code requires certain pressure vessels and power piping to be stress relieved. This is to reduce internal stress. Other weldments such as machine-tool bases are stress relieved to attain dimensional stability after machining.

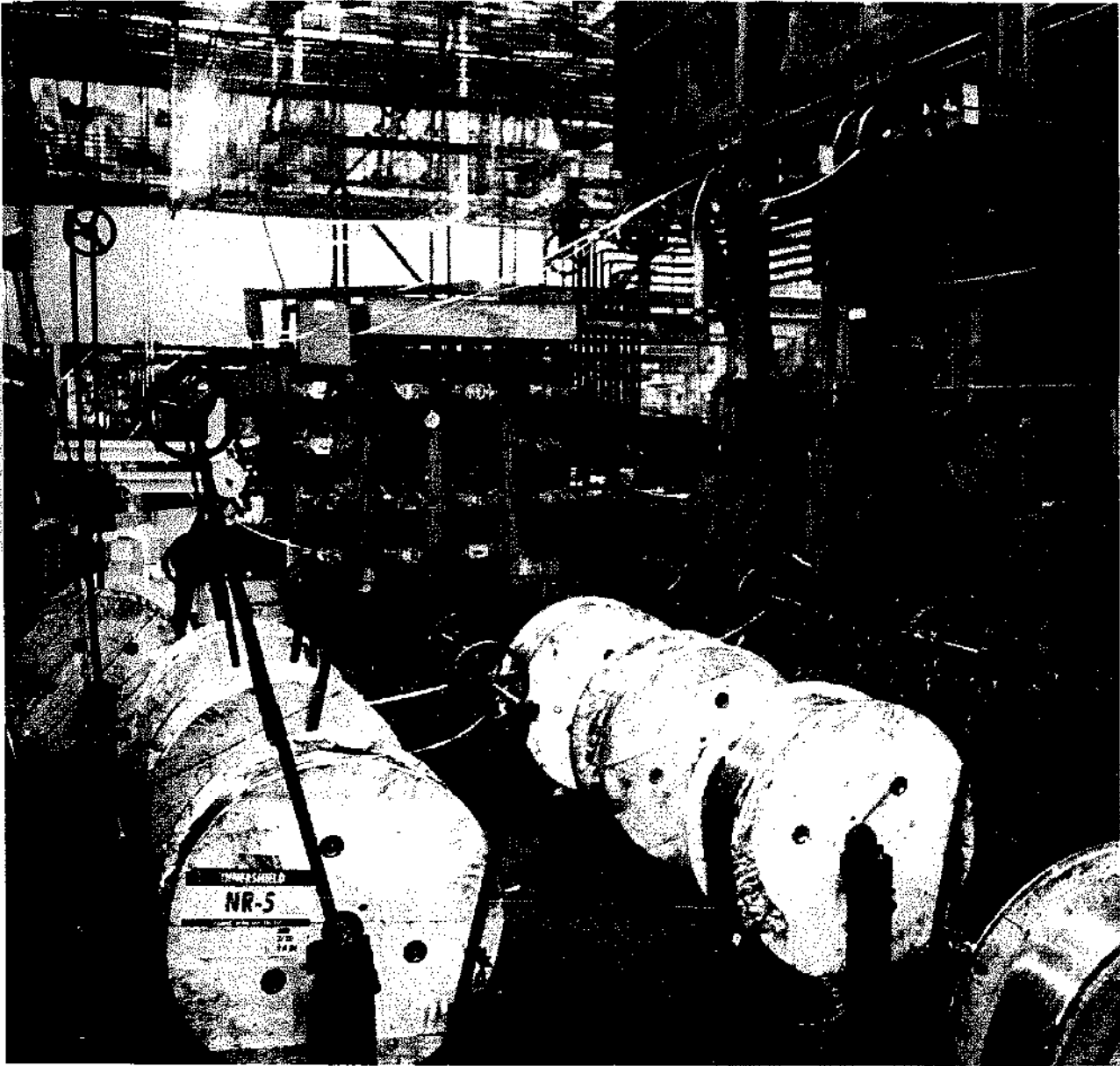
Heating and cooling must be done slowly and uniformly; uneven cooling could nullify much of the value of the heat treatment or even cause additional stresses in the weldment. In general, the greater the

difference between maximum and minimum thickness of the component parts, the slower should be the rate of temperature change. If the ratio of maximum to minimum thickness of the component parts is less than 4 to 1, heating and cooling rates should not exceed 400°F/hour divided by the thickness in inches of the thickest section. However, the heating and cooling rates should not exceed 400°F/hour. If the ratio of the thicknesses of the component parts vary more, rates should be reduced accordingly. For example, with complex structures containing members of widely varying thicknesses, heating and cooling rates should be such that the maximum temperature difference of sections of the same weldment should not exceed 75°F. Temperatures of critical sections can be monitored using thermocouples mounted on the weldment.

The stress-relief range for most carbon steels is 1100 to 1200°F, and the soaking time is usually one hour per inch of thickness.\* For the low-alloy chrome-molybdenum steels, with the chromium in the range of 1/2 to 2-1/4% and the molybdenum up to 1%, the stress-relief range is 1250 to 1300°F for one hour. Some of the higher alloy steels require more soaking time. For example, E410, E502, and E505 weld metal is stress relieved at 1550 to 1600°F for two hours, and E430 at 1400 to 1450°F for four hours.

Local stress relieving can be done on girth joints of pipe and pressure vessels when required by codes. The same precautions are necessary as for furnace heating: slow heating, time-at-temperature, and slow cooling.

\* AWS proposes to say "per inch of weld thickness, when the specified stress-relief is for dimensional stability, the holding time shall be one hour per inch of thickness of the thicker part." However, sometimes ASME Sect. VIII refers also to the "thinner of two adjacent butt-welded plates."



For high production applications electrode can be furnished in 600 lb coils. Large coils eliminate many coil changes and reduce the down time needed for rethreading.

## Section 4

# CONSUMABLES AND MACHINERY

### SECTION 4.1

#### ARC WELDING CONSUMABLES

	Page
Electrodes, Rods, and Fluxes . . . . .	4.1-1
Mild Steel Covered Arc Welding Electrodes . . . . .	4.1-3
Low-Alloy Steel Covered Arc Welding	
Electrodes . . . . .	4.1-3
Electrodes and Fluxes for Submerged-Arc	
Welding . . . . .	4.1-5
Mild Steel Electrodes for Flux-Cored	
Arc-Welding . . . . .	4.1-6
Mild Steel Electrodes For Gas	
Metal-Arc Welding . . . . .	4.1-6
Corrosion-Resistant Chromium and	
Chromium-Nickel Covered Electrodes . . . . .	4.1-8
Corrosion-Resistant Chromium and	
Chromium-Nickel Steel Welding Rods	
and Bare Electrodes . . . . .	4.1-9
Welding Rods and Covered Electrodes for	
Welding Cast Iron . . . . .	4.1-10
Aluminum and Aluminum-Alloy	
Welding Rods and Bare Electrodes . . . . .	4.1-11
Copper and Copper-Alloy Arc Welding	
Electrodes . . . . .	4.1-11
Copper and Copper-Alloy Welding Rods . . . . .	4.1-17
Surfacing Welding Rods and Electrodes . . . . .	4.1-17
Shielding Gases . . . . .	4.1-17
Argon and Helium . . . . .	4.1-17
Inert Gases with Reactive Gas Additions . . . . .	4.1-18
Carbon Dioxide . . . . .	4.1-18
Shielding Gases for TIG Welding . . . . .	4.1-19
Shielding Gases for MIG Welding . . . . .	4.1-20

### SECTION 4.2

#### POWER SOURCES

Classification of Power Sources . . . . .	4.2-1
AC Welders . . . . .	4.2-2

Transformer Welders . . . . .	4.2-2
DC and AC-DC Welders . . . . .	4.2-4
Transformer-Rectifier Welders . . . . .	4.2-4
DC Generators . . . . .	4.2-5
Pointers on Selecting a Power Source . . . . .	4.2-7

### SECTION 4.3

#### WELDING EQUIPMENT

The Welding Cable . . . . .	4.3-1
The Electrode Holder . . . . .	4.3-2
Ground Connections . . . . .	4.3-3
The Semiautomatic Gun and Wire Feeder . . . . .	4.3-4
Mechanized Travel Units . . . . .	4.3-6
Full-Automatic Welding Heads . . . . .	4.3-7
Equipment for Arc Heating . . . . .	4.3-10
Protective Equipment . . . . .	4.3-12

### SECTION 4.4

#### FIXTURES AND MANIPULATORS

Types of Fixtures . . . . .	4.4-2
Considerations in Fixture Selection . . . . .	4.4-3
Welding Head Stationary . . . . .	4.4-4
Welding Head Movable . . . . .	4.4-5
Fixture Design and Performance . . . . .	4.4-6
Clamping and Fitup . . . . .	4.4-6
Weld Backup . . . . .	4.4-7
Grounding the Workpiece . . . . .	4.4-8
Preventing Arc Blow . . . . .	4.4-9
Arc Starting and Timing . . . . .	4.4-9
Mechanical Considerations . . . . .	4.4-11

# Arc-Welding Consumables

Arc-welding consumables are the materials used up during welding, such as electrodes, filler rods, fluxes, and externally applied shielding gases. With the exception of the gases, all of the commonly used consumables are covered by AWS specifications.

Twenty specifications in the AWS A5.x series prescribe the requirements for welding electrodes, rods, and fluxes. This section briefly reviews some of the important requirements of the A5.x series, with the intent of serving as a guide to the selection of the proper specification. When detailed information is required, the actual AWS specification should be consulted.

## ELECTRODES, RODS, AND FLUXES

The first specification for mild steel covered electrodes, A5.1, was written in 1940. As the welding industry expanded and the number of types of electrodes for welding steel increased, it became necessary to devise a system of electrode classification to avoid confusion. The system used applies to both the mild steel A5.1 and the low-alloy steel A5.5 specifications.

Classifications of mild and low-alloy steel electrodes are based on an "E" prefix and a four or five-digit number. The first two digits (or three, in a five-digit number) indicate the minimum required tensile strength in thousands of pounds per square inch. For example, 60 = 60,000 psi, 70 = 70,000 psi, and 100 = 100,000 psi. The next to the last digit indicates the welding position in which the electrode is capable of making satisfactory welds: 1 = all positions — flat, horizontal, vertical, and overhead; 2 = flat and horizontal fillet welding (see Table 4-1). The last two digits indicate the type of current to be used and the type of covering on the electrode (see Table 4-2).

Originally a color identification system was developed by the National Electrical Manufacturers Association (NEMA) in conjunction with the American Welding Society to identify the electrode's classification. This was a system of color markings applied in a specific relationship on the electrode, as in Fig. 4-1(a). The colors and their significance are listed in Tables 4-3 and 4-4. The NEMA specification also included the choice of imprinting the classification number on the electrode, as in Fig. 4-1(b).

**TABLE 4-1. AWS A5.1-69 and A5.5-69 Designations for Manual Electrodes**

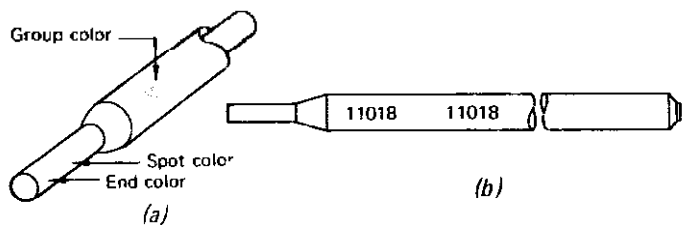
a. The prefix "E" designates arc-welding electrode.	
b. The first two digits of four-digit numbers and the first three digits of five-digit numbers indicate minimum tensile strength:	
E60XX . . . . .	60,000 psi Minimum Tensile Strength
E70XX . . . . .	70,000 psi Minimum Tensile Strength
E110XX . . . . .	110,000 psi Minimum Tensile Strength
c. The next-to-last digit indicates position:	
EXX1X . . . . .	All positions
EXX2X . . . . .	Flat position and horizontal fillets
d. The suffix (Example: EXXXX-A1) indicates the approximate alloy in the weld deposit:	
- A1 . . . . .	0.5% Mo
- B1 . . . . .	0.5% Cr, 0.5% Mo
- B2 . . . . .	1.25% Cr, 0.5% Mo
- B3 . . . . .	2.25% Cr, 1% Mo
- B4 . . . . .	2% Cr, 0.5% Mo
- B5 . . . . .	0.5% Cr, 1% Mo
- C1 . . . . .	2.5% Ni
- C2 . . . . .	3.25% Ni
- C3 . . . . .	1% Ni, 0.35% Mo, 0.15% Cr
- D1 and D2 . . . . .	0.25 -0.45% Mo, 1.75% Mn
- G . . . . .	0.5% min. Ni, 0.3% min. Cr, 0.2% min. Mo, 0.1% min. V, 1% min. Mn (only one element required)

**TABLE 4-2. AWS A5.1-69 Electrode Designations for Covered Arc-Welding Electrodes**

Designation	Current	Covering Type
EXX10	DC+ only	Organic
EXX11	AC or DC+	Organic
EXX12	AC or DC-	Rutile
EXX13	AC or DC±	Rutile
EXX14	AC or DC±	Rutile, iron-powder (approx. 30%)
EXX15	DC+ only	Low-hydrogen
EXX16	AC or DC+	Low-hydrogen
EXX18	AC or DC+	Low-hydrogen, iron-powder (approx. 25%)
EXX20	AC or DC±	High iron-oxide
EXX24	AC or DC±	Rutile, iron-powder (approx. 50%)
EXX27	AC or DC±	Mineral, iron-powder (approx. 50%)
EXX28	AC or DC+	Low-hydrogen, iron-powder (approx. 50%)

**TABLE 4-3. Color Identification for Covered MILD-STEEL and LOW-ALLOY Steel Electrodes**

GROUP COLOR - NO COLOR				
XX10, XX11, XX14, XX24, XX27, XX28 and all 60 XX				
End Color \ Spot Color	No Color	Blue	Black	Orange
No Color	E6010	E7010G		EST
White	E6012	E7010-A1		ECl
Brown	E6013		E7014	
Green	E6020			
Blue	E6011	E7011G		
Yellow		E7011-A1	E7024	
Black			E7028	
Silver	E6027			
GROUP COLOR - SILVER				
All XX13 and XX20 except E6013 and E6020				
Brown				
White				
Green		E7020G		
Yellow		E7020-A1		



**Fig. 4-1.** (a) National Electrical Manufacturers Association color-code method to identify an electrode's classification; (b) American Welding Society imprint method.

Starting in 1964, AWS new and revised specifications for covered electrodes required the classification number be imprinted on the covering, as in Fig. 4-1(b). However, some electrodes can be manufactured faster than the imprinting equipment can mark them and some sizes are too small to be legibly marked with an imprint. Although AWS specifies an imprint, the color code is accepted on electrodes if imprinting is not practical.

**TABLE 4-4. Color Identification for Covered Low-Hydrogen Low-Alloy Steel Electrodes**

GROUP COLOR - GREEN										
XX15, XX16 and XX18 except E6015 and E6016										
End Color \ Spot Color	No Color	Blue	Black	White	Gray	Brown	Violet	Green	Red	Orange
Red	E7015G	E7015			E8015G	E9015G		E10015G		E12015G
White		E7015-A1	E9015-B3L			E9015-D1				
Brown										
Green			E8015-B2L			E9015-B3				
Bronze			E8015-B4L			E8015-B4				
Orange	E7016G	E7016	E7018	E8016-C3		E9016G		E10016G		E12016G
Yellow		E7016-A1	E7018-A1	E8016G		E9016-D1		E10015-D2	E11016G	
Black			E8018-C3	E8016-B1	E8018-B1		E9018-B3			
Blue	E7018G		E8018G	E8016-C1	E8018-C1	E9016-B3	E9018G	E10018G	E11018G	E12018G
Violet				E8016-C2	E8018-C2	E8016-B4	E9018-D1	E10018-D2		
Gray			E8018-B4	E8016-B2	E8018-B2			E10016-D2		
Silver			Mil-12018							



**TABLE 4-5. AWS A5.1-69 Minimum Mechanical Property and Radiographic Requirements for Covered Arc-Welding Electrode Weld Metal**

AWS Classification	Tensile Strength, min, psi	Yield Point, min, psi	Elongation in 2 in., min, percent	Radiographic Standard <sup>a</sup>	V-Notch Impact <sup>d</sup>
<b>E60 Series<sup>b</sup></b>					
E6010	62,000	50,000	22	Grade II	20 ft/lb at -20°F
E6011	62,000	50,000	22	Grade II	20 ft/lb at -20°F
E6012	67,000	55,000	17	Not required	Not required
E6013	67,000	55,000	17	Grade II	Not required
E6020	62,000	50,000	25	Grade I	Not required
E6027	62,000	50,000	25	Grade II	20 ft/lb at -20°F
<b>E70 Series<sup>c</sup></b>					
E7014			17	Grade II	Not required
E7015			22	Grade I	20 ft/lb at -20°F
E7016	72,000	60,000	22	Grade I	20 ft/lb at -20°F
E7018			22	Grade I	20 ft/lb at -20°F
E7024			17	Grade II	Not required
E7028			22	Grade II	20 ft/lb at 0°F

a See AWS A5.1-69, Fig. 3

b For each increase of one percentage point in elongation over the minimum, the yield point or tensile strength, or both, may decrease 1,000 psi to a minimum of 60,000 psi for the tensile strength and 48,000 psi for the yield point for all classifications of the 60-series except E6012 and E6013. For the E6012 and E6013 classifications the yield point and tensile strength may decrease to a minimum of 65,000 psi for the tensile strength and 53,000 psi for the yield point.

c For each increase of one percentage point in elongation over the minimum, the yield point or tensile strength, or both, may decrease 1,000 psi to a minimum of 70,000 psi for the tensile strength and 58,000 psi for the yield point.

d The extreme lowest value and the extreme highest value obtained in the test shall be disregarded. Two of the three remaining values shall be greater than the specified 20 ft/lb energy level; one of the three may be lower but shall not be less than 15 ft/lb. The computed average value of the three remaining values shall be equal to or greater than the 20 ft/lb energy level.

### Mild Steel Covered Arc-Welding Electrodes, AWS A5.1-69

The scope of this specification prescribes requirements for covered mild steel electrodes for shielded metal-arc welding of carbon and low-alloy steels.

The minimum mechanical property requirements are shown in Table 4-5. Radiographic standard Grade I has less and smaller porosity than Grade II. The actual standards are not contained herein, and, if a comparison is required, the standard in AWS A5.1-69 should be used.

Standard electrode sizes and lengths are given in Table 4-6. Not all classifications, however, are manufactured in all sizes.

### Low-Alloy Steel Covered Arc-Welding Electrodes, AWS A5.5-69

This specification prescribes covered electrodes for shielded metal-arc welding of low-alloy steel.

The same classification system is used as for mild steel covered electrodes, with an added suffix that indicates the approximate chemistry of the

deposited weld metal (see Table 4-1).

The chemical composition of the deposited weld metal is shown in Table 4-7. The electrodes with the suffix "G" need have only one alloy above the minimum to qualify for the chemical requirements.

**TABLE 4-6. AWS A5.1-69 Standard Covered Arc-Welding Electrode Sizes and Lengths**

Core-Wire Diam. (in.)	Standard Lengths (in.)	
	E6010, E6011, E6012, E6013, E7014, E7015, E7016, E7018	E6020 E7024 E6027 E7028
1/16	9	...
5/64	9 or 12	...
3/32	12	12
1/8	14	14
5/32	14	14
3/16	14	14 or 18
7/32	14 or 18	18
1/4	18	18
5/16	18	18

TABLE 4-7. Composition Requirements of Low-Alloy Weld Metal AWS A5.5-69

Electrode Classification	Composition (%)								
	C	Mn	P	S	Si	Ni	Cr	Mo	V
<b>Carbon-Molybdenum Steel</b>									
E7010-A1	0.12	0.60	0.03	0.04	0.40	...	...	0.40 to 0.64	...
E7011-A1		0.60			0.40				
E7015-A1		0.90			0.60				
E7016-A1		0.90			0.60				
E7018-A1		0.90			0.80				
E7020-A1		0.60			0.40				
E7027-A1		1.00			0.40				
<b>Chromium-Molybdenum Steel</b>									
E8016-B1	0.12	0.90	0.03	0.04	0.60	...	0.40 to 0.65	0.40 to 0.65	...
E8018-B1					0.80				
E8015-B2L	0.05	0.90	0.03	0.04	1.00	...	1.00 to 1.50	0.40 to 0.65	...
E8016-B2	0.12	0.90	0.03	0.04	0.60	...	1.00 to 1.50	0.40 to 0.65	...
E8018-B2					0.80				
E8018-B2L	0.05	0.90	0.03	0.04	0.80	...	1.00 to 1.50	0.40 to 0.65	...
E9015-B3L	0.05	0.90	0.30	0.04	1.00	...	2.00 to 2.50	0.90 to 1.20	...
E9015-B3	0.12	0.90	0.03	0.04	0.60	...	2.00 to 2.50	0.90 to 1.20	...
E9016-B3					0.60				
E9018-B3					0.80				
E9018-B3L	0.05	0.90	0.03	0.04	0.80	...	2.00 to 2.50	0.90 to 1.20	...
E8015-B4L	0.05	0.90	0.03	0.04	1.00	...	1.75 to 2.25	0.40 to 0.65	...
E8016-B5	0.07 to 0.15	0.40 to 0.70	0.03	0.04	0.30 to 0.60	...	0.40 to 0.60	1.00 to 1.25	0.05
<b>Nickel Steel</b>									
E8016-C1	0.12	1.20	0.03	0.04	0.60	2.00 to 2.75	...	...	...
E8018-C1					0.80				
E8016-C2	0.12	1.20	0.03	0.04	0.60	3.00 to 3.75	...	...	...
E8018-C2					0.80				
E8016-C3	0.12	0.40 to 1.25	0.030	0.030	0.80	0.80 to 1.10	0.15	0.35	0.05
E8018-C3									
<b>Manganese-Molybdenum Steel</b>									
E9015-D1	0.12	1.25 to 1.75	0.03	0.04	0.60	...	...	0.25 to 0.45	...
E9018-D1					0.80				
E10015-D2	0.15	1.65 to 2.00	0.03	0.04	0.60	...	...	0.25 to 0.45	...
E10016-D2					0.60				
E10018-D2					0.80				
<b>Other Low-Alloy Steel</b>									
EXX10-G	...	1.00 min	...	...	0.80 min	0.50 min	0.30 min	0.20 min	0.10 min
EXX11-G									
EXX13-G									
EXX15-G									
EXX16-G									
EXX18-G									
E7020-G									
E9018-M	0.10	0.60 to 1.25	0.030	0.030	0.80	1.40 to 1.80	0.15	0.35	0.05
E10018-M	0.10	0.75 to 1.70	0.030	0.030	0.60	1.40 to 2.10	0.35	0.25 to 0.50	0.05
E11018-M	0.10	1.30 to 1.80	0.030	0.030	0.60	1.25 to 2.50	0.40	0.30 to 0.55	0.05
E12018-M	0.10	1.30 to 2.25	0.030	0.030	0.60	1.75 to 2.25	0.30 to 1.50	0.30 to 0.55	0.05

Note: Single values shown are maximum percentages except where otherwise specified.

Electrodes with the suffix "M" will meet or be similar to certain military requirements.

Table 4-8 shows the tensile-strength, yield-strength, and elongation requirements. The preheat, interpass-temperature, and postheat treatments are not the same for all electrodes. For this reason, the

complete AWS A5.5-69 specification should be consulted before conducting any tests.

Radiographic requirements are shown in Table 4-9. Grade I has fewer and smaller porosity than Grade II. The radiographic standards can be found in the specification.

**TABLE 4-8. AWS A5.5-69 Tensile-Strength, Yield-Strength, and Elongation Requirements for All-Weld-Metal Tension Test <sup>a</sup>**

AWS Classification	Tensile Strength, min, psi	Yield Strength at 0.2 percent offset, psi	Elongation in 2 in., min, percent
E7010-X	70,000	57,000	22
E7011-X			22
E7015-X			25
E7016-X			25
E7018-X			25
E7020-X			25
E7027-X			25
E8010-X	80,000	67,000	19
E8011-X			19
E8013-X			16
E8015-X			19
E8016-X			19
E8018-X			19
E8016-C3	80,000	68,000 to 80,000	24
E8018-C3			
E9010-X	90,000	77,000	17
E9011-X			17
E9013-X			14
E9015-X			17
E9016-X			17
E9018-X			17
E9018-M	90,000	78,000 to 90,000	24
E10010-X	100,000	87,000	16
E10011-X			16
E10013-X			13
E10015-X			16
E10016-X			16
E10018-X			16
E10018-M	100,000	88,000 to 100,000	20
E11015-X	110,000	97,000	15
E11016-X			
E11018-X	110,000	98,000 to 110,000	20
E11018-M			
E12015-X	120,000	107,000	14
E12016-X			
E12018-X			
E12018-M	120,000	108,000 to 120,000	18

<sup>a</sup> For the E8016-C3, E8018-C3, E9018-M, E10018-M, E11018-M, and E12018-M electrode classifications the values shown are for specimens tested in the as-welded condition. Specimens tested for all other electrodes are in the stress-relieved condition.

**TABLE 4-9. AWS A5.5-69 Radiographic Requirements**

AWS Classification	Radiographic Standard
EXX15-X EXX16-X EXX18-X E7020-X	Grade I
EXX10-X EXX11-X EXX13-X E7027-X	Grade II

Table 4-10 shows the impact requirements. The impact test specimens receive the same heat treatment as the tension test specimens.

**TABLE 4-10. AWS A5.5-69 Impact-Property Requirements**

AWS Classification	Minimum V-Notch Impact Requirement <sup>a</sup>
E8016-C3 E8018-C3	20 ft/lb at -40°F <sup>b</sup>
E9015-D1 E9018-D1 E10015-D2 E10016-D2 E10018-D2	20 ft/lb at -30°F <sup>c</sup>
E9018-M E10018-M E11018-M E12018-M	20 ft/lb at -60°F <sup>b</sup>
E8016-C1 E8018-C1	20 ft/lb at -75°F <sup>c</sup>
E8016-C2 E8018-C2	20 ft/lb at -100°F <sup>c</sup>
All other classifications	Not required

<sup>a</sup> The extreme lowest value obtained together with the extreme highest value shall be disregarded for this test. Two of the three remaining values shall be greater than the specified 20 ft/lb energy level; one of the three may be lower but shall not be less than 15 ft/lb. The computed average value of the three remaining values shall be equal to or greater than the 20 ft/lb energy level.

<sup>b</sup> As-welded impact properties.

<sup>c</sup> Stress-relieved impact properties.

### Bare Mild Steel Electrodes and Fluxes for Submerged-Arc Welding, AWS A5.17-69

Since the electrode and flux are two separate consumable items, they are classified separately. Electrodes are classified on the basis of chemical composition, as shown in Table 4-11. In the classifying system, the letter "E" indicates an electrode, as in the other classifying systems, but here the similarity stops. The next letter "L," "M," or "H," indicates low, medium, or high-manganese, respectively. The following number or numbers indicate the approximate carbon content in hundredths of one percent. If there is a suffix "K," this indicates a silicon-killed steel.

Table 4-12 gives the standard electrode sizes and tolerances.

**TABLE 4-11. AWS A5.17-69 Chemical-Composition Requirements for Submerged-Arc Electrodes**

AWS Classification	Chemical Composition, percent						
	Carbon	Manganese	Silicon	Sulfur	Phosphorus	Copper <sup>a</sup>	Total other Elements
Low Manganese Classes							
EL8	0.10	0.30 to 0.55	0.05				
EL8K	0.10	0.30 to 0.55	0.10 to 0.20				
EL12	0.07 to 0.15	0.35 to 0.60	0.05				
Medium Manganese Classes							
EM5K <sup>b</sup>	0.06	0.90 to 1.40	0.40 to 0.70	0.035	0.03	0.15	0.50
EM12	0.07 to 0.15	0.85 to 1.25	0.05				
EM12K	0.07 to 0.15	0.85 to 1.25	0.15 to 0.35				
EM13K	0.07 to 0.19	0.90 to 1.40	0.45 to 0.70				
EM15K	0.12 to 0.20	0.85 to 1.25	0.15 to 0.35				
High Manganese Class							
EH14	0.10 to 0.18	1.75 to 2.25	0.05				

a The copper limit is independent of any copper or other suitable coating which may be applied to the electrode.

b This electrode contains 0.05 to 0.15 percent titanium, 0.02 to 0.12 percent zirconium, and 0.05 to 0.15 percent aluminum, which is exclusive of the "Total Other Elements" requirement.

Note 1 — Analysis shall be made for the elements for which specific values are shown in this table. If, however, the presence of other elements is indicated in the course of routine analysis, further analysis shall be made to determine that the total of these other elements is not present in excess of the limits specified for "Total Other Elements" in the last column of the table.

Note 2 — Single values shown are maximum percentages.

Fluxes are classified on the basis of the mechanical properties of the weld deposit made with a particular electrode (see Table 4-13). The classification designation given to a flux consists of a prefix "F" (indicating a flux) followed by a two-digit number representative of the tensile-strength and impact requirements for test welds made in accordance with the specification. This is then followed by a set of letters and numbers corresponding to the classification of the electrode used with the flux.

Test welds are radiographed and must meet the Grade I standard of AWS A5.1 specification.

#### Mild Steel Electrodes for Flux-Cored Arc-Welding, AWS A5.20-69

This specification prescribes requirements for mild steel composite electrodes for flux-cored arc welding of mild and low-alloy steels.

Electrodes are classified on the basis of single or multiple-pass operation, chemical composition of the deposited weld metal, mechanical properties, and whether or not carbon dioxide is required as a separate shielding gas. Table 4-14 and 4-15 show the

**TABLE 4-12. AWS A5.17-69 Standard Sizes and Tolerances for Submerged-Arc Electrodes**

Standard Electrode Size, dia., in.	Tolerance on Dia., in. ±
1/16 (0.063)	0.0015
5/64 (0.078), 3/32 (0.094)	0.002
1/8 (0.125)	0.003
5/32 (0.156), 3/16 (0.188), 7/32 (0.219)	
1/4 (0.250), 5/16 (0.312), 3/8 (0.375)	0.004

minimum mechanical-property requirements.

Gas-shielded flux-cored electrodes are available for welding the low-alloy high-tensile steels. Self-shielded flux-cored electrodes are available for all-position welding, as in building construction. Fabricators using or anticipating using the flux-cored arc-welding processes should keep in touch with the electrode manufacturers for new or improved electrodes not included in the present specifications.

#### Mild Steel Electrodes for Gas Metal-Arc Welding, AWS A5.18-69

This specification prescribes requirements for mild steel solid electrodes for gas metal-arc welding

**TABLE 4-13. AWS A5.17-69 Mechanical-Property Requirements for Submerged-Arc Flux Classification**

AWS Flux <sup>a</sup> Classification	Tensile Strength psi	Yield Strength at 0.2% Offset, min, psi	Elongation in 2 in., min, %	Charpy V-Notch Impact Strength <sup>b</sup>
F60-XXXX F61-XXXX <sup>c</sup> F62-XXXX <sup>c</sup> F63-XXXX <sup>c</sup> F64-XXXX <sup>c</sup>	62,000 to 80,000	50,000	22 <sup>d</sup>	Not required 20 ft/lb at 0°F 20 ft/lb at -20°F 20 ft/lb at -40°F 20 ft/lb at -60°F
F70-XXXX F71-XXXX <sup>c</sup> F72-XXXX <sup>c</sup> F73-XXXX <sup>c</sup> F74-XXXX <sup>c</sup>	72,000 to 95,000	60,000	22 <sup>e</sup>	Not required 20 ft/lb at 0°F 20 ft/lb at -20°F 20 ft/lb at -40°F 20 ft/lb at -60°F

- a The letters "XXXX" as used in this table stand for the electrode designations EL8, EL8K, etc. (see Table 4-11).
- b The extreme lowest value obtained, together with the extreme highest value obtained, shall be disregarded for this test. Two of the three remaining values shall be greater than the specified 20 ft/lb energy level; one of the three may be lower but shall not be less than 15 ft/lb. The computed average value of the three values shall be equal to or greater than the 20 ft/lb energy level.
- c Note that if a specific flux-electrode combination meets the requirements of a given F6X-xxxx classification, this classification also meets the requirements of all lower numbered classifications in the F6X-xxxx series. For instance, a flux-electrode combination meeting the requirements of the F63-xxxx classification, also meets the requirements of the F62-xxxx, F61-xxxx, and F60-xxxx classifications. This applies to the F7X-xxxx series also.
- d For each increase of one percentage point in elongation over the minimum, the yield strength or tensile strength, or both, may decrease 1000 psi to a minimum of 60,000 psi for the tensile strength and 48,000 psi for the yield strength.
- e For each increase of one percentage point in elongation over the minimum, the yield strength or tensile strength, or both, may decrease 1000 psi to a minimum of 70,000 psi for the tensile strength and 58,000 psi for the yield strength.

**TABLE 4-14. AWS A5.20-69 Mechanical-Property Requirements for Flux-Cored Arc-Welding Weld Metal<sup>a</sup>**

AWS Classification	Shielding Gas <sup>b</sup>	Current and Polarity <sup>c</sup>	Tensile Strength min. <sup>f</sup> , psi	Yield Strength at 0.2% Offset, min. <sup>f</sup> , psi	Elongation in 2 inches, min. <sup>f</sup> , psi	
E60T-7	None	DC, straight polarity	67,000	55,000	22	
E60T-8	None		62,000	50,000	22	
E70T-1	CO <sub>2</sub>		72,000	60,000	22	
E70T-2			72,000	Not required		
E70T-3	None		72,000	Not required		
E70T-4	None		reverse polarity	72,000	60,000	22
E70T-5 <sup>g</sup>	CO <sub>2</sub> None			72,000	60,000	22
E70T-6	None			72,000	60,000	22
E70T-G	not spec.		not spec.	72,000 <sup>d</sup>	Not required	
				72,000 <sup>e</sup>	60,000 <sup>e</sup>	22 <sup>e</sup>

- a As-welded mechanical properties.
- b Shielding gases are designated as follows:  
CO<sub>2</sub> = carbon dioxide  
None = no separate shielding gas
- c Reverse polarity means electrode is positive; straight polarity means electrode is negative.
- d Requirement for single-pass electrodes.
- e Requirement for multiple-pass electrodes.
- f For each increase of one percentage point in elongation over the minimum, the minimum required yield strength or the tensile strength, or both, may decrease 1000 psi, for a maximum reduction of 2000 psi in either the required minimum yield strength or the tensile strength, or both.
- g Where CO<sub>2</sub> and None are indicated as the shielding gases for a given classification, chemical analysis pads and test assemblies shall be prepared using both CO<sub>2</sub> and no separate shielding gas.

**TABLE 4-15. AWS A5.20-69 Impact-Property Requirements for Flux-Cored Arc-Welding Weld Metal**

AWS Classification	Minimum V-Notch Impact Requirement <sup>a</sup>
E70T-5	20 ft/lb at -20°F
E60T-8 E70T-1 E70T-6	20 ft/lb at 0°F
E60T-7 E70T-2 E70T-3 E70T-4 E70T-G	Not required

<sup>a</sup> The extreme lowest value obtained, together with the extreme highest value obtained, shall be disregarded for this test. Two of the three remaining values shall be greater than the specified 20 ft/lb energy level; one of the three may be lower but shall not be less than 15 ft/lb. The computed average value of the three values shall be equal to or greater than the 20 ft/lb energy level.

of mild and low-alloy steel. The electrodes are classified on the basis of their chemical composition and the as-welded mechanical properties of the deposited weld metal (see Tables 4-16 and 4-17). For the chemical-composition requirements of the deposited weld metal, see Table 4-18.

Table 4-18 includes a Group B classification, entitled "Low-Alloy Steel Electrodes." The alloy additions here do not meet the accepted definitions of mild steel. The basis for including this classification in a mild steel specification is that the alloy additions are for deoxidation and usability improvement and not for the purpose of upgrading the mechanical properties.

**Corrosion-Resisting Chromium and Chromium-Nickel Steel Covered Welding Electrodes, AWS A5.4-69**

These electrodes are commonly called the "stainless" or "corrosion-resisting" electrodes and are classified on the basis of the chemical composition of the deposited weld metal and usability characteristics.

Chemical composition requirements are shown in Table 4-19. The specification does not include tests for corrosion resistance. The deposited weld metal can be expected to have the same corrosion resistance as the base metal of the same composition. However, due to the heat of welding or subsequent heat treatment, metallurgical changes can occur that may affect the corrosion resistance of the

**TABLE 4-16. AWS A5.18-69 Mechanical-Property Requirements for Gas Metal-Arc Welding Weld Metal<sup>a</sup>**

AWS Classification	Shielding Gas <sup>b</sup>	Current and Polarity <sup>c</sup>	Tensile Strength min., psi	Yield Strength at 0.2% Offset, min.	Elongation in 2 inches, min. %
<b>GROUP A - MILD STEEL ELECTRODES</b>					
E70S-1	AO	DC reverse polarity	72,000 <sup>e,f</sup>	60,000 <sup>e,f</sup>	22 <sup>e,f</sup>
E70S-2 E70S-3	AO & CO <sub>2</sub> <sup>d</sup>				
E70S-4 E70S-5 E70S-6	CO <sub>2</sub>				
E70S-G	not spec.				
<b>GROUP B - LOW-ALLOY STEEL ELECTRODES</b>					
E70S-1B E70S-GB	CO <sub>2</sub> not spec.	DC, reverse polarity not spec.	72,000 <sup>e,f</sup> 72,000 <sup>e,f</sup>	60,000 <sup>e,f</sup> 60,000 <sup>e,f</sup>	17 <sup>e,f</sup> 22 <sup>e,f</sup>
<b>GROUP C - EMISSIVE ELECTRODE</b>					
E70U-1	AO & A <sup>d</sup>	DC, straight polarity	72,000 <sup>e</sup>	58,000 <sup>e</sup>	22 <sup>e</sup>

- <sup>a</sup> As-welded mechanical properties
- <sup>b</sup> Shielding gases are designated as follows:  
 AO = argon, plus 1 to 5 percent oxygen  
 CO<sub>2</sub> = carbon dioxide  
 A = argon
- <sup>c</sup> Reverse polarity means electrode is positive; straight polarity means electrode is negative.
- <sup>d</sup> Where two gases are listed as interchangeable (that is, AO and CO<sub>2</sub> and AO & A) for classification of a specific electrode, the classification tests may be conducted using either gas.
- <sup>e</sup> Mechanical properties as determined from an all-weld-metal tension-test specimen.
- <sup>f</sup> For each increase of one percentage point in elongation over the minimum, the yield strength or tensile strength, or both, may decrease 1,000 psi to a minimum of 70,000 psi for the tensile strength and 58,000 psi for the yield strength.

**TABLE 4-17. AWS A5.18-69 Impact-Property Requirements for Gas Metal-Arc Welding Weld Metal**

AWS Classification	Minimum V-Notch Impact Requirement <sup>a</sup>
E70S-2 E70S-6 E70S-1B E70U-1	20 ft/lb at -20°F
E70S-3	20 ft/lb at 0°F
E70S-1, E70S-4, E70S-5, E70S-G, E70S-GB	Not required

<sup>a</sup> The extreme lowest value obtained, together with the extreme highest value obtained, shall be disregarded for this test. Two of the three remaining values shall be greater than the specified 20 ft/lb energy level; one of the three may be lower but shall not be less than 15 ft/lb. The computed average value of the three values shall be equal to or greater than the 20 ft/lb energy level.

weld and base metals. For this reason, corrosion tests should be made on critical applications.

Mechanical property requirements are shown in Table 4-20.

The usability of the electrodes is indicated by a suffix to the classification number in Table 4-20. A suffix "-15" indicates the electrode is to be used with DC reverse polarity (DC+). If the suffix is "-16" the electrode can be used with AC or DC reverse polarity (DC+).

**Corrosion-Resisting Chromium and Chromium-Nickel Steel Welding Rods and Bare Electrodes, AWS 5.9-69**

This specification covers corrosion-resisting chromium and chromium-nickel steel (stainless

**TABLE 4-18. AWS A5.18-69 Chemical-Composition Requirements for Gas Metal-Arc Welding Electrode**

AWS Classification	Chemical Composition, percent														
	Carbon	Man-ganese	Silicon	Phos-phorus	Sulfur	Nickel <sup>a</sup>	Chro-mium <sup>a</sup>	Molyb-denum <sup>a</sup>	Vana-dium <sup>a</sup>	Tita-nium	Zirco-nium	Alumi-num			
<b>GROUP A – MILD STEEL ELECTRODES</b>															
E70S-1	0.07 to 0.19	0.90 to 1.40	0.30 to 0.50	0.025	0.035										
E70S-2	0.06		0.40 to 0.70										0.05 to 0.15	0.02 to 0.12	0.05 to 0.15
E70S-3	0.06 to 0.15		0.45 to 0.70												
E70S-4	0.07 to 0.15		0.65 to 0.85												
E70S-5	0.07 to 0.19		0.30 to 0.60												0.50 to 0.90
E70S-6	0.07 to 0.15		1.40 to 1.85										0.80 to 1.15		
E70S-G	no chemical requirements <sup>b</sup>														
<b>GROUP B – LOW-ALLOY STEEL ELECTRODES</b>															
E70S-1B	0.07 to 0.12	1.60 to 2.10	0.50 to 0.80	0.025	0.035	0.15		0.40 to 0.60							
E70S-GB	no chemical requirements														
<b>GROUP C – EMISSIVE ELECTRODE</b>															
E70U-1	0.07 to 0.15	0.80 to 1.40	0.15 to 0.35	0.025	0.035										

Note – Single values shown are maximums.

<sup>a</sup> For Groups A and C these elements may be present but are not intentionally added.

<sup>b</sup> For this classification there are no chemical requirements for the elements listed with the exception that there shall be no intentional addition of Ni, Cr, Mo or V.

TABLE 4-19. AWS A5.4-69 Chemical Requirements for Stainless Covered Electrode All-Weld Metal

AWS Classification	Carbon, percent	Chromium, percent	Nickel, percent	Molybdenum, percent	Columbium Plus Tantalum, percent	Manganese, percent	Silicon, percent	Phosphorus, percent	Sulfur, percent	Tungsten, percent
E308	0.08	18.0 to 21.0	9.0 to 11.0	...	...	2.5	0.90	0.04	0.03	...
E308L	0.04	18.0 to 21.0	9.0 to 11.0	...	...	2.5	0.90	0.04	0.03	...
E309	0.15	22.0 to 25.0	12.0 to 14.0	...	...	2.5	0.90	0.04	0.03	...
E309Cb	0.12	22.0 to 25.0	12.0 to 14.0	...	...	2.5	0.90	0.04	0.03	...
E309Mo	0.12	22.0 to 25.0	12.0 to 14.0	2.0 to 3.0	0.70 to 1.00	2.5	0.90	0.04	0.03	...
E310	0.20	25.0 to 28.0	20.0 to 22.5	...	...	2.5	0.75	0.03	0.03	...
E310Cb	0.12	25.0 to 28.0	20.0 to 22.5	...	0.70 to 1.00	2.5	0.75	0.03	0.03	...
E310Mo	0.12	25.0 to 28.0	20.0 to 22.5	...	...	2.5	0.75	0.03	0.03	...
E312	0.15	28.0 to 32.0	8.0 to 10.5	...	...	2.5	0.90	0.04	0.03	...
E16-8-2	0.10	14.5 to 16.5	7.5 to 9.5	...	...	2.5	0.50	0.03	0.03	...
E316	0.08	17.0 to 20.0	11.0 to 14.0	...	...	2.5	0.90	0.04	0.03	...
E316L	0.04	17.0 to 20.0	11.0 to 14.0	2.0 to 2.5	...	2.5	0.90	0.04	0.03	...
E317	0.08	18.0 to 21.0	12.0 to 14.0	3.0 to 4.0	...	2.5	0.90	0.04	0.03	...
E318	0.08	17.0 to 20.0	11.0 to 14.0	2.0 to 2.5	...	2.5	0.90	0.04	0.03	...
E320 e	0.07	19.0 to 21.0	32.0 to 36.0	2.0 to 3.0	6 x C, min. to 1.00 max.	2.5	0.60	0.04	0.03	...
E330	0.25	14.0 to 17.0	33.0 to 37.0	...	8 x C, min. to 1.00 max.	2.5	0.90	0.04	0.03	...
E347 b	0.08	18.0 to 21.0	9.0 to 11.0	...	8 x C, min. to 1.00 max.	2.5	0.90	0.04	0.03	...
E349 d	0.13	18.0 to 21.0	8.0 to 10.0	0.35 to 0.65	0.75 to 1.2 1.00 max.	2.5	0.90	0.04	0.03	1.25 to 1.75
E410	0.12	11.0 to 13.5	0.60	...	...	1.0	0.90	0.04	0.03	...
E430	0.10	15.0 to 18.0	0.60	...	...	1.0	0.90	0.04	0.03	...
E502	0.10	4.0 to 6.0	0.40	0.45 to 0.65	...	1.0	0.90	0.04	0.03	...
E505	0.10	8.0 to 10.5	0.40	0.85 to 1.20	...	1.0	0.90	0.04	0.03	...
E7Cr	0.10	6.0 to 8.0	0.40	0.45 to 0.65	...	1.0	0.90	0.04	0.03	...

Note 1. - Analysis shall be made for the elements for which specific values are shown in the table. If, however, the presence of other elements is indicated in the course of routine analysis, further analysis shall be made to determine that the total of these other elements, except iron, is not present in excess of 0.70 percent.

Note 2. - Single values shown are maximum percentages except where otherwise specified.

- a Carbon shall be analyzed to the nearest 0.01 percent.
- b Chromium shall be 1.9 x Ni, min., when so specified.
- c Tantalum shall be 0.10 max., when so specified.
- d Titanium shall be 0.15 max.
- e Copper shall be 3.0 to 4.0.

steel) welding rods for use with atomic hydrogen and gas tungsten-arc processes and bare electrodes for use with submerged-arc and gas metal-arc welding processes.

Rods and electrodes are classified on the basis of the chemical composition. The requirements for solid electrodes and rods are based on the chemical analysis of the filler metal as manufactured. For composite electrodes and rods, the requirements are based on the chemical analysis of a pad of undiluted metal made by melting the filler metal with the TIG process, using argon shielding gas. The analysis of composite electrodes and rods may also be made by any suitable method agreed upon by the purchaser and the supplier. Table 4-21 lists the chemical requirements.

Rods and electrodes are available in a wide variety of diameters and spool sizes. Rods are also available in straight lengths (see Table 4-22).

This specification prescribes requirements for welding rods for oxyacetylene and carbon-arc weld-

Cast Iron, AWS A5.15-69.

Welding Rods and Covered Electrodes for Welding

- a Specimen shall be heated to between 1550 and 1600°F and held for 2 hr., furnace cooled at a rate not exceeding 100°F per hr., to 1100°F, and air-cooled.
- b Specimen shall be heated to between 1400 and 1450°F and held for 4 hr., furnace-cooled at a rate not exceeding 100°F per hr., to 1100°F, and air-cooled.

AWS Classification	Tensile Strength in 2 in., min, psi	Elongation in 2 in., min, percent	Heat Treatment
E308	80,000	35	none
E308L	75,000	35	none
E309	80,000	30	none
E309Cb	80,000	30	none
E309Mo	80,000	30	none
E310	80,000	30	none
E310Cb	80,000	25	none
E310Mo	80,000	30	none
E312	95,000	22	none
E16-8-2	80,000	35	none
E316	75,000	30	none
E316L	70,000	30	none
E317	80,000	30	none
E318	80,000	25	none
E320	80,000	30	none
E330	75,000	25	none
E347	80,000	30	none
E349	100,000	25	none
E410	70,000	20	a
E430	70,000	20	b
E502	60,000	20	a
E505	60,000	20	a
E7Cr	60,000	20	a

TABLE 4-20. AWS A5.4-69 Mechanical-Property Requirements for Stainless Covered Electrode All-Weld Metal



TABLE 4-21. AWS A5.9-69 Chemical Requirements for Bare Stainless Welding Rods and Electrodes

AWS Classification	Carbon, percent	Chromium, percent	Nickel, percent	Molybdenum, percent	Columbium plus Tantalum, percent	Manganese, percent	Silicon, percent	Phosphorus, percent	Sulfur, percent	Tungsten, percent
ER308 <sup>a,f</sup>	0.08	19.5 to 22.0	9.0 to 11.0	...	...	1.0 to 2.5	0.25 to 0.60	0.03	0.03	...
ER308L <sup>a,f</sup>	0.03	19.5 to 22.0	9.0 to 11.0	...	...	1.0 to 2.5	0.25 to 0.60	0.03	0.03	...
ER309 <sup>f</sup>	0.12	23.0 to 25.0	12.0 to 14.0	...	...	1.0 to 2.5	0.25 to 0.60	0.03	0.03	...
ER310	0.08 to 0.15	25.0 to 28.0	20.0 to 22.5	...	...	1.0 to 2.5	0.25 to 0.60	0.03	0.03	...
ER312	0.15	28.0 to 32.0	8.0 to 10.5	...	...	1.0 to 2.5	0.25 to 0.60	0.03	0.03	...
ER316 <sup>f</sup>	0.08	18.0 to 20.0	11.0 to 14.0	2.0 to 3.0	...	1.0 to 2.5	0.25 to 0.60	0.03	0.03	...
ER316L <sup>f</sup>	0.03	18.0 to 20.0	11.0 to 14.0	2.0 to 3.0	...	1.0 to 2.5	0.25 to 0.60	0.03	0.03	...
ER317	0.08	18.5 to 20.5	13.0 to 15.0	3.0 to 4.0	...	1.0 to 2.5	0.25 to 0.60	0.03	0.03	...
ER318	0.08	18.0 to 20.0	11.0 to 14.0	2.0 to 3.0	8 x C, min. to 1.0, max.	1.0 to 2.5	0.25 to 0.60	0.03	0.03	...
ER320 <sup>e</sup>	0.07	19.0 to 21.0	32.0 to 36.0	2.0 to 3.0	8 x C, min. to 1.0, max.	2.5	0.60	0.04	0.03	...
ER321 <sup>c</sup>	0.08	18.5 to 20.5	9.0 to 10.5	0.5 max.	...	1.0 to 2.5	0.25 to 0.60	0.03	0.03	...
ER347 <sup>a,f</sup>	0.08	19.0 to 21.5	9.0 to 11.0	...	10 x C, min. to 1.0, max.	1.0 to 2.5	0.25 to 0.60	0.03	0.03	...
ER348 <sup>a</sup>	0.08	19.0 to 21.5	9.0 to 11.0	...	10 x C, min. to 1.0, max. <sup>b</sup>	1.0 to 2.5	0.25 to 0.60	0.03	0.03	...
ER349 <sup>d</sup>	0.07 to 0.13	19.0 to 21.5	8.0 to 9.5	0.35 to 0.65	1.0 to 1.4	1.0 to 2.5	0.25 to 0.60	0.03	0.03	1.25 to 1.75
ER410	0.12	11.5 to 13.5	0.6	0.6	...	0.6	0.50	0.03	0.03	...
ER420	0.25 to 0.40	12.0 to 14.0	0.6	...	...	0.6	0.50	0.03	0.03	...
ER430	0.10	15.5 to 17.0	0.6	...	...	0.6	0.50	0.03	0.03	...
ER502	0.10	4.5 to 6.0	0.6	0.45 to 0.65	...	0.6	0.25 to 0.60	0.03	0.03	...

Note 1. Analysis shall be made for the elements for which specific values are shown in this table. If, however, the presence of other elements is indicated in the course of routine analysis, further analysis shall be made to determine that the total of these other elements, except iron, is not present in excess of 0.70 percent.

Note 2. Single values shown are maximum percentages except where otherwise specified.

a Chromium, min. = 1.9 x Nickel, when so specified.

b Tantalum, max. = 0.10 percent.

c Titanium = 9 x C, min. to 1.0, max.

d Titanium = 0.10 to 0.30.

e Copper = 3.0 to 4.0.

f These grades are available in high-silicon classifications which shall have the same chemical-composition requirements as given above with the exception that the silicon content shall be 0.50 to 1.0 percent. These high-silicon classifications shall be designated by the addition of "S" to the standard classification designations listed above. The fabricator should consider carefully the use of high-silicon filler metals in highly restrained or fully austenitic welds.

ing and covered electrodes for shielded metal-arc welding of cast irons. These filler metals are suitable for welding gray cast iron, malleable iron, and some alloy cast irons. With the exception of the nickel-base alloys, classification is based on the chemical composition of the bare welding rod and the core wire of the covered electrodes. The chemical composition of the nickel-base alloys ENi-CI, ENiFe-CI, ENiCu-A, and ENiCu-B is based on the composition of the deposited weld metal (see Table 4-23).

### Aluminum and Aluminum-Alloy Welding Rods and Bare Electrodes, AWS A5.10-69

This specification prescribes aluminum and aluminum alloy welding rods for use with TIG welding and bare electrodes for use with MIG welding.

Rods and electrodes are classified on the basis of the chemical composition of the as-manufactured filler metal (see Table 4-24). Electrodes must also meet a usability test. For electrodes 3/32 in. and smaller, a butt joint is welded in the overhead position. For 1/8-in. electrodes, the weld is made in the flat position. The welds are radiographed and must meet an X-ray standard available from AWS. The usability test for rods consists of making a bead on a plate in the flat position with a gas flame or

TIG welding. The bead must be uniform in appearance and be free from specified defects.

### Copper and Copper Alloy Arc-Welding Electrodes, AWS A5.6-69

This specification covers the requirements for solid and stranded bare and covered copper and

TABLE 4-22. AWS A5.9-69 Standard Sizes

Form	Diameter <sup>a</sup> , in.
Welding rods in straight lengths	0.045, 1/16 (0.062), 5/64 (0.078), 3/32 (0.094), 1/8 (0.125), 5/32 (0.156), 3/16 (0.188)
Filler metal in coils with or without support	0.045, 1/16 (0.062), 5/64 (0.078), 3/32 (0.094), 7/64 (0.109), 1/8 (0.125), 5/32 (0.156), 3/16 (0.188), 1/4 (0.250)
Filler metal wound on standard 12-in. O.D. spools	0.030, 0.035, 0.045, 1/16 (0.062), 5/64 (0.078), 3/32 (0.094), 7/64 (0.109)
Electrodes wound on lightweight 1-1/2 and 2-1/2-lb 4-in. O.D. spools	0.020, 0.025, 0.030, 0.035, 0.045

a Electrodes and welding rods of diameters up to and including 0.045 in. shall not vary more than  $\pm 0.001$  from the nominal. Diameters greater than 0.045 in. shall not vary more than  $\pm 0.002$  from the nominal.

TABLE 4-23. AWS A5.15-69 Chemical Requirements for Covered Electrodes for Cast Iron

AWS Classification	Carbon percent	Silicon percent	Manganese, percent	Phosphorus, percent	Sulfur percent	Iron percent	Molybdenum, percent	Nickel <sup>a</sup> percent	Copper, <sup>b</sup> percent	Zinc, percent	Tin, percent	Aluminum, percent	Lead percent	Cerium percent	Total Other Elements, <sup>c</sup> percent
<b>CAST-IRON FILLER METALS<sup>d</sup></b>															
RCI	3.25 to	2.75 to	0.60 to	0.50 to	0.10	remainder	trace	trace	...	...	...	...	...	...	...
ECI	3.50	3.00	0.75	0.75											
RCI-A	3.25 to	2.00 to	0.50 to	0.20 to	0.10	remainder	0.25 to	1.20 to	...	...	...	...	...	...	...
	3.50	2.50	0.70	0.40			0.45	1.60							
RCI-B	3.25 to	3.25 to	0.10 to	0.05	0.03	remainder	...	0.50	...	...	...	...	...	0.20	...
	4.00	3.75	0.40												
<b>COPPER-BASE FILLER METALS<sup>d</sup></b>															
RBCuZn-A <sup>e</sup>	...	c	c	...	...	c	...	...	57.0 to	remainder	0.25 to	0.01 <sup>c</sup>	0.05 <sup>c</sup>	...	0.50
									61.0		1.00				
RCuZn-B <sup>f</sup>	...	0.04 to	0.01 to	c	...	0.25 to	...	0.2 to	56.0 to	remainder	0.8 to	0.01 <sup>c</sup>	0.05 <sup>c</sup>	...	0.50
		0.15	0.50			1.2		0.8	60.0		1.1				
RCuZn-C <sup>f</sup>	...	0.04 to	0.01 to	...	...	0.25 to	...	...	56.0 to	remainder	0.8 to	0.01 <sup>c</sup>	0.05 <sup>c</sup>	...	0.50
		0.15	0.50			1.2			60.0		1.1				
RBCuZn-D <sup>e</sup>	...	0.04 to	...	0.25	...	...	...	9.00 to	46.0 to	remainder	...	0.01 <sup>c</sup>	0.05 <sup>c</sup>	...	0.50
		0.25						11.00	50.0						
ECuSn-A <sup>g</sup>	...	c	c	0.10 to	...	c	...	c	remainder	c	4.0 to	0.01 <sup>c</sup>	0.02 <sup>c</sup>	...	0.50
				0.35							6.0				
ECuSn-C <sup>g</sup>	...	c	c	0.05 to	...	c	...	c	remainder	c	7.0 to	0.01 <sup>c</sup>	0.02 <sup>c</sup>	...	0.50
				0.35							9.0				
ECuA1-A2 <sup>g</sup>	...	0.10	...	...	...	1.5	...	...	remainder	0.02	...	9.0 to	0.02	...	0.50
											11.0				
<b>MILD STEEL ELECTRODE<sup>d</sup></b>															
ESt	0.15	0.03	0.30 to	0.04	0.04	remainder	...	...	...	...	...	...	...	...	...
			0.60												
<b>NICKEL-BASE ELECTRODES<sup>h</sup></b>															
ENi-CI	2.00	4.00	1.00	...	0.03	8.00	...	85.00	2.50	...	...	...	...	...	1.00
								min							
ENiFe-CI	2.00	4.00	1.00	...	0.03	remainder	...	45.0 to	2.50	...	...	...	...	...	1.00
								60.0							
ENiCu-A	0.35 to	0.75	2.25	...	0.025	3.0 to	...	50.0 to	35.0 to	...	...	...	...	...	1.00
	0.55					6.0		60.0	45.0						
ENiCu-B	0.35 to	0.75	2.25	...	0.025	3.0 to	...	60.0 to	25.0 to	...	...	...	...	...	1.00
	0.55					6.0		70.0	35.0						

Note 1 — Analysis shall be made for the elements for which specific values are shown in this table. If, however, the presence of other elements is indicated in the course of routine analysis, further analysis shall be made to determine that the total of these other elements is not present in excess of the limits specified for "Total Other Elements" in the last column of this table.

Note 2 — Single values shown are maximum percentages, except where otherwise specified.

a Nickel plus incidental cobalt.

b Copper plus incidental silver.

c Total Other Elements, including the elements marked with footnote c, shall not exceed the value specified.

d Chemical requirements for the cast-iron, copper-base and mild steel filler metals are based on the as-manufactured composition of the bare welding rod and the core wire of the covered electrode.

e This AWS classification is intended to be identical with the same classification that appears in the latest editions of the Specification for Copper and Copper-Alloy Welding Rods (AWS Designation: A5.7) and Specification for Brazing Filler Metal (AWS Designation: A5.8) (The chemical analysis shown is that which appears in the 1969 edition of AWS A5.7 and the 1969 edition of AWS A5.8.)

f This AWS classification is intended to be identical with the same classification that appears in the Specification for Copper and Copper-Alloy Welding Rods, latest edition, (AWS Designation: A5.7) (The chemical analysis shown is that which appears in the 1969 edition of AWS A5.7.)

g This AWS classification is intended to be identical with the same classification that appears in the Specifications for Copper and Copper-Alloy Welding Electrodes, latest edition, (AWS Designation: A5.6) (The chemical analysis shown is that which appears in the 1969 edition of AWS A5.6.)

h Chemical requirements for the nickel-base electrodes are based on deposited weld metal analysis

**TABLE 4-24. AWS A5.10-69 Chemical Requirement for Bare Welding Rods and Electrodes for Aluminum and Aluminum Alloys**

AWS Classification	Silicon, percent	Iron, percent	Copper, percent	Manganese, percent	Magnesium, percent	Chromium, percent	Nickel, percent	Zinc, percent	Titanium, percent	Other Elements, <sup>g</sup> percent		Aluminum, percent
										Each	Total	
ER1100	b	b	0.05-0.20	0.05	...	...	...	0.10	...	0.05	0.15	99.00 min, <sup>h</sup>
ER1260	c	c	0.04	0.01	...	...	...	...	...	0.03	...	99.60 min, <sup>h</sup>
ER2319 <sup>i</sup>	0.20	0.30	5.8-6.8	0.20-0.40	0.02	...	...	0.10	0.10-0.20	0.05	0.15	remainder
ER4145	9.3-10.7	0.8	3.3-4.7	0.15	0.15	0.15	...	0.20	...	0.05	0.15	remainder
ER4043	4.5-6.0	0.8	0.30	0.05	0.05	...	...	0.10	0.20	0.05	0.15	remainder
ER4047	11.0-13.0	0.8	0.30	0.15	0.10	...	...	0.20	...	0.05	0.15	remainder
ER5039	0.10	0.40	0.03	0.30-0.50	3.3-4.3	0.10-0.20	...	2.4-3.2	0.10	0.05	0.10	remainder
ER5554	c	c	0.10	0.50-1.0	2.4-3.0	0.05-0.20	...	0.25	0.05-0.20	0.05	0.15	remainder
ER5654 <sup>j</sup>	d	d	0.05	0.01	3.1-3.9	0.15-0.35	...	0.20	0.05-0.15	0.05	0.15	remainder
ER5356	e	e	0.10	0.05-0.20	4.5-5.5	0.05-0.20	...	0.10	0.06-0.20	0.05	0.15	remainder
ER5556	c	c	0.10	0.50-1.0	4.7-5.5	0.05-0.20	...	0.25	0.05-0.20	0.05	0.15	remainder
ER5183	0.40	0.40	0.10	0.50-1.0	4.3-5.2	0.05-0.25	...	0.25	0.15	0.05	0.15	remainder
R-C4A <sup>a</sup>	1.5	1.0	4.0-5.0	0.35	0.03	...	...	0.35	0.25	0.05	0.15	remainder
R-CN42A <sup>a</sup>	0.7	1.0	3.5-4.5	0.35	1.2-1.8	0.25	1.7-2.3	0.35	0.25	0.05	0.15	remainder
R-SC51A <sup>a</sup>	4.5-5.5	0.8 <sup>f</sup>	1.0-1.5	0.50 <sup>f</sup>	0.40-0.60	0.25	...	0.35	0.25	0.05	0.15	remainder
R-SG70A <sup>a</sup>	6.5-7.5	0.6	0.25	0.35	0.20-0.40	...	...	0.35	0.25	0.05	0.15	remainder

Note 1 - Single values shown are maximum percentages, except where a minimum is specified.

Note 2 - For purposes of determining conformance to these limits, an observed value or a calculated value obtained from analysis shall be rounded off to the nearest unit in the last righthand place of figures used in expressing the specified limit, in accordance with Recommended Practices for Designating Significant Places in Specified Limiting Values (ASTM Designation: E29). 1968 Book of ASTM Standards, Part 32.

Note 3 - Analysis shall be made for the elements for which specific limits are shown. If, however, the presence of other elements is suspected, or indicated in the course of routine analysis, further analysis shall be made to determine that these other elements are not in excess of the limits specified for "other elements."

- a For repair of castings.
- b Silicon plus iron shall not exceed 1.0 percent.
- c Silicon plus iron shall not exceed 0.40 percent.
- d Silicon plus iron shall not exceed 0.45 percent.
- e Silicon plus iron shall not exceed 0.50 percent.
- f If iron exceeds 0.45 percent, manganese should be present in an amount equal to one half the iron.
- g Beryllium shall not exceed 0.0008 percent.
- h The aluminum content is the difference between 100.00 percent and the sum of all other metallic elements present in amounts of 0.010 percent or more each, expressed to the second decimal.
- i Vanadium content shall be 0.05-0.15 percent. Zirconium content shall be 0.10-0.25 percent.
- j Effective with the 1969 revision, ER5654 has replaced filler metal composition ER5154, ER5254, and ER5652.

**TABLE 4-25. AWS A5.6-69 Chemical Requirements for Copper and Copper Alloy Arc-Welding Electrodes**

Common Name	AWS Classification	Copper, Including Silver, percent	Zinc, percent	Tin, percent	Manganese, percent	Iron, percent	Silicon, percent	Nickel Incl. Cobalt, percent	Phosphorus, percent	Aluminum, percent	Lead, percent	Titanium, percent	Total Other Elements, percent <sup>a</sup>
Copper	ECu	98.0 min	*	1.0	0.5	*	0.50	*	0.15	0.01*	0.02*	...	0.50
Copper-silicon (silicon bronze)	ECuSi	remainder	*	1.5 <sup>b</sup>	1.5 <sup>b</sup>	0.5	2.8 to 4.0	*	*	0.01*	0.02*	...	0.50
Copper-tin (phosphor bronze)	ECuSn-A	remainder	*	4.0 to 6.0	*	*	*	*	0.10 to 0.35	0.01*	0.02*	...	0.50
	ECuSn-C	remainder	*	7.0 to 9.0	*	*	*	*	0.05 to 0.35	0.01*	0.02*	...	0.50
Copper-nickel	ECuNi <sup>c</sup>	remainder	*	*	1.00 <sup>c</sup>	0.40 to 0.75	0.50	29.0 min	...	...	0.02*	0.15 <sup>c</sup> to 1.00	0.50
Copper-aluminum (aluminum bronze)	ECuAl-A1	remainder	0.20	...	...	...	0.10	...	...	6.0 to 9.0	0.02	...	0.50
	ECuAl-A2 <sup>d</sup> e	remainder	0.02	...	...	1.5	0.10	...	...	9.0 to 11.0	0.02	...	0.50
	ECuAl-B <sup>d</sup>	remainder	0.20	...	...	3.0 to 4.25	0.10	...	...	11.0 to 12.0	0.02	...	0.50

Note 1 - Analysis shall be made for the elements for which specific values are shown in this table. If, however, the presence of other elements is indicated in the course of routine analysis, further analysis shall be made to determine that the total of these other elements is not present in excess of the limits specified for "total other elements" in the last column in the table.

Note 2 - Single values shown are maximum percentages, except where otherwise specified.

- a Total other elements, including the elements marked with an asterisk (\*), shall not exceed the value specified.
- b One or both of these elements may be present within the limits specified.
- c The composition of weld metal deposited by this electrode using the shielded metal-arc welding process may contain up to 2.50 percent Mn. The titanium content will be 0.50 percent max.
- d This electrode also available as a stranded bare electrode for the gas metal-arc process.
- e This electrode also available as a bare electrode for submerged-arc welding.

**TABLE 4-26. AWS A5.6-69 Tensile-Strength Requirements for Copper and Copper Alloy Weld Metal**

AWS Classification	Tensile Strength, min, psi
ECu	25,000
ECuSi	50,000
ECuSn-A	35,000
ECuSn-C	40,000
ECuNi	50,000
ECuA-I-A1	55,000
ECuAl-A2	60,000
ECuAl-B	65,000

copper-alloy arc-welding electrodes for use with the shielded metal-arc, gas metal-arc, and submerged-arc welding processes. The specification is not intended to cover rods used with the TIG process. Such rods are covered in "Specification for Copper and Copper-Alloy Welding Rods, AWS A5.7."

Electrodes are classified on the basis of the chemical composition of the bare electrode or core wire for covered electrodes (see Table 4-25). The

**TABLE 4-28. AWS A5.7-69 Tensile-Strength Requirements for Copper and Copper Alloy Weld Metal**

AWS Classification	Tensile Strength, min, psi		Applicable Processes <sup>a</sup>
	Copper-Alloy Base Plate	Steel Base Plate	
RCu	25,000	...	OAW, GTAW
RCuSi-A	50,000	...	OAW, GTAW
RCuSn-A	35,000	...	GTAW
RCuNi	50,000	...	OAW, GTAW
RBCuZn-A	50,000	40,000	OAW
RCuZn-B	56,000	50,000	OAW
RCuZn-C	56,000	50,000	OAW
RBCuZn-D	...	60,000	OAW
RCuAl-A2,	65,000	...	GTAW
RCuAl-B	70,000	...	GTAW

a OAW = oxyacetylene welding  
GTAW = gas tungsten-arc welding

**TABLE 4-27. AWS A5.7-69 Chemical Requirements for Copper and Copper Alloy Welding Rods**

Common Name	AWS Classification	Copper Including Silver, percent	Zinc, percent	Tin, percent	Manganese, percent	Iron, percent	Silicon, percent	Nickel Incl. Cobalt, percent	Phosphorus, percent	Aluminum, percent	Lead, percent	Titanium, percent	Total Other Elements, percent <sup>a</sup>
Copper	RCu	98.0 min	...	1.0	0.5	*	0.50	*	0.15	0.01*	0.02*	...	0.50
Copper-silicon (silicon bronze)	RCuSi-A	98.0 min	1.5 <sup>b</sup>	1.5 <sup>b</sup>	1.5 <sup>b</sup>	0.5	2.8 to 4.0	*	*	0.01*	0.02*	...	0.50
Copper-tin (phosphor bronze)	RCuSn-A	93.5 min	*	4.0 to 6.0	*	*	*	*	0.10 to 0.35	0.01*	0.02*	...	0.50
Copper-nickel	RCuNi	remainder	*	*	1.00	0.40 to 0.70	0.15	29.0 to 32.0	...	...	0.02*	0.20 to 0.50	0.50
Naval brass	RBCuZn-A <sup>c</sup>	57 to 61	remainder	0.25 to 1.00	*	*	*	...	...	0.01*	0.05*	...	0.50
Low-fuming bronze (nickel)	RCuZn-B	56 to 60	remainder	0.8 to 1.1	0.01 to 0.50	0.25 to 1.2	0.04 to 0.15	0.2 to 0.8	...	0.01*	0.05*	...	0.50
Low-fuming bronze	RCuZn-C	56 to 60	remainder	0.8 to 1.1	0.01 to 0.50	0.25 to 1.2	0.04 to 0.15	...	...	0.01*	0.05*	...	0.50
Nickel bronze	RBCuZn-D <sup>c</sup>	46 to 50	remainder	...	...	...	0.04 to 0.25	9.0 to 11.0	0.25	0.01*	0.05*	...	0.50
Copper-aluminum (aluminum bronze)	RCuAl-A2	remainder	0.02	...	...	1.5	0.10	...	...	9.0 to 11.0	0.02	...	0.50
	RCuAl-B	remainder	0.02	...	...	3.0 to 4.25	0.10	...	...	11.0 to 12.0	0.02	...	0.50

Note 1 - Analysis shall be made for the elements for which specific values are shown in this table. If, however, the presence of other elements is indicated in the course of routine analysis, further analysis shall be made to determine that the total of these other elements is not present in excess of the limits specified for "total other elements" in the last column in the table.

Note 2 - Single values shown are maximum percentages except where otherwise specified.

a Total other elements, including the elements marked with an asterisk (\*) shall not exceed the value specified.

b One or more of these elements may be present within the limits specified.

c This AWS classification is intended to be identical with the same classification that appears in the latest edition of the Specification for Brazing Filler Metal, AWS Designation A5.8.

TABLE 4-29. AWS A5.13-70 CHEMICAL REQUIREMENTS FOR SURFACING WELDING RODS

AWS Classification	Carbon, percent	Manganese, percent	Cobalt, percent	Tungsten, percent	Nickel, percent	Chromium, percent	Molybdenum, percent	Iron, percent	Vanadium, percent	Copper, percent	Aluminum, percent	Zinc, percent	Silicon, percent	Lead, percent	Tin, percent	Phosphorus, percent	Total Other Elements, percent <sup>a</sup>
RFe5-A	0.7 to 1.0	0.50	...	5.0 to 7.0	...	3.0 to 5.0	4.0 to 6.0	remainder	1.0 to 2.5	...	...	...	0.50	...	...	...	1.0
RFe5-B	0.5 to 0.9	0.50	...	1.0 to 2.5	...	3.0 to 5.0	5.0 to 9.5	remainder	0.8 to 1.3	...	...	...	0.50	...	...	...	1.0
RFeCr-A1	3.7 to 5.0	2.0 to 6.0	...	...	...	27.0 to 35.0	...	remainder	...	...	...	...	1.10 to 2.5	...	...	...	1.0
RCoCr-A	0.9 to 1.4	1.00	remainder	3.0 to 6.0	3.0	26.0 to 32.0	1.0	3.0	...	...	...	...	2.0	...	...	...	0.50
RCoCr-B	1.2 to 1.7	1.00	remainder	7.0 to 9.5	3.0	26.0 to 32.0	1.0	3.0	...	...	...	...	2.0	...	...	...	0.50
RCoCr-C	2.0 to 3.0	1.00	remainder	11.0 to 14.0	3.0	26.0 to 33.0	1.0	3.0	...	...	...	...	2.0	...	...	...	0.50
Rcuzn-E	...	0.30	...	...	...	...	...	1.50	...	56.0 min	0.01 <sup>a</sup>	remainder	0.04 to 0.25	0.05 <sup>a</sup>	2.00 to 3.00	...	0.50
RCuSi-A <sup>b</sup>	...	1.5 <sup>c</sup>	...	...	a	...	...	0.5	...	94.0 min	0.01 <sup>a</sup>	1.5 <sup>c</sup>	2.8 to 4.0	0.02 <sup>a</sup>	1.5 <sup>c</sup>	a	0.50
RCuAl-A2 <sup>b</sup>	...	...	...	...	...	...	...	1.5	...	remainder	9.0 to 11.0	0.02	0.10	0.02	...	...	0.50
RCuAl-B <sup>b</sup>	...	...	...	...	...	...	...	3.0 to 4.25	...	remainder	11.0 to 12.0	0.02	0.10	0.02	...	...	0.50
RCuAl-C	...	...	...	...	...	...	...	3.0 to 5.0	...	remainder	12.0 to 13.0	0.02	0.04	0.02	...	...	0.50
RCuAl-D	...	...	...	...	...	...	...	3.0 to 5.0	...	remainder	13.0 to 14.0	0.02	0.04	0.02	...	...	0.50
RCuAl-E	...	...	...	...	...	...	...	3.0 to 5.0	...	remainder	14.0 to 15.0	0.02	0.04	0.02	...	...	0.50
RCuSn-A <sup>b</sup>	...	a	...	...	a	...	...	a	...	93.5 min	0.01 <sup>a</sup>	a	a	0.02 <sup>a</sup>	4.0 to 6.0	0.10 to 0.35	0.50
RCuSn-D	...	...	...	...	...	...	...	...	...	88.5 min	0.01 <sup>a</sup>	...	...	0.05 <sup>a</sup>	9.0 to 11.0	0.10 to 0.30	0.50
RCuSn-E	...	...	...	...	...	...	...	...	...	remainder	...	...	...	14.0 to 18.0	5.0 to 7.0	0.30 to 0.50	0.50
RNiCr-A	0.30 to 0.60	...	1.50	...	remainder	8.0 to 14.0	...	1.25 to 3.25	2.00 to 3.00 percent boron	...	...	...	1.25 to 3.25	...	...	...	0.50
RNiCr-B	0.40 to 0.80	...	1.25	...	remainder	10.0 to 16.0	...	3.00 to 5.00	2.00 to 4.00 percent boron	...	...	...	3.00 to 5.00	...	...	...	0.50
RNiCr-C	0.50 to 1.00	...	1.00	...	remainder	12.0 to 18.0	...	3.50 to 5.50	2.50 to 4.50 percent boron	...	...	...	3.50 to 5.50	...	...	...	0.50

Note 1 - Analysis shall be made for the elements for which specific values are shown in this table. If, however, the presence of other elements is indicated in the course of routine analysis, further analysis shall be made to determine that the total of these other elements is not present in excess of the limits specified for "total other elements" in the last column in the table.

Note 2 - Single values shown are maximum percentages, except where otherwise specified.

a Total other elements, including the elements marked with footnote<sup>a</sup>, shall not exceed the value specified.

b This AWS classification is intended to be identical with the same classification that appears in the latest edition of the Specification for Copper and Copper-Alloy Welding Rods, AWS Designation A5.7. (The chemical analysis shown is that which appears in the 1969 edition of AWS A5.7.)

c One or more of these elements may be present within the limits specified.

**TABLE 4-30. AWS A5.13-70 CHEMICAL REQUIREMENTS<sup>a</sup> FOR SURFACING ELECTRODES**

AWS Classification	Carbon, percent	Manganese, percent	Cobalt, percent	Tungsten, percent	Nickel, percent	Chromium, percent	Molybdenum, percent	Iron, percent	Vanadium, percent	Copper, percent	Aluminum, percent	Zinc, percent	Silicon, percent	Lead, percent	Tin, percent	Phosphorus, percent	Total Other Elements, percent <sup>b</sup>
EFe5-A	0.7 to 1.0	0.50	...	5.0 to 7.0	...	3.0 to 5.0	4.0 to 6.0	remainder	1.0 to 2.5	...	...	...	0.70	...	...	...	1.0
EFe5-B	0.5 to 0.9	0.50	...	1.0 to 2.5	...	3.0 to 5.0	5.0 to 9.5	remainder	0.8 to 1.3	...	...	...	0.70	...	...	...	1.0
EFe5-C	0.3 to 0.5	0.50	...	1.0 to 2.5	...	3.0 to 5.0	5.0 to 9.0	remainder	0.8 to 1.2	...	...	...	0.70	...	...	...	1.0
EFeMn-A	0.5 to 0.9	11.0 to 16.0	...	...	2.75 to 6.0	0.50	...	remainder	...	...	...	...	1.3	...	...	0.03	1.0
EFeMn-B	0.5 to 0.9	11.0 to 16.0	...	...	...	0.50	0.6 to 1.4	remainder	...	...	...	...	0.3 to 1.3	...	...	0.03	1.0
EFeCr-A1	3.0 to 5.0	4.0 to 8.0	...	...	...	26.0 to 32.0	2.0	remainder	...	...	...	...	1.0 to 2.5	...	...	...	1.0
ECrCo-A	0.7 to 1.4	2.0	remainder	3.0 to 6.0	3.0	25.0 to 32.0	1.0	5.0	...	...	...	...	2.0	...	...	...	0.50
ECrCo-B	1.0 to 1.7	2.0	remainder	7.0 to 9.5	3.0	25.0 to 32.0	1.0	5.0	...	...	...	...	2.0	...	...	...	0.50
ECrCo-C	1.75 to 3.0	2.0	remainder	11.0 to 14.0	3.0	25.0 to 33.0	1.0	5.0	...	...	...	...	2.0	...	...	...	0.50
ECuSi <sup>d,e</sup>	...	1.5 <sup>f</sup>	...	...	b	...	...	0.5	...	remainder	0.01 <sup>b</sup>	b	2.8 to 4.0	0.02 <sup>b</sup>	1.5 <sup>f</sup>	b	0.50
ECuAl-A2 <sup>d,e</sup>	...	...	...	...	...	...	...	1.5	...	remainder	9.0 to 11.0	0.02	0.10	0.02	...	...	0.50
ECuAl-B <sup>d,e</sup>	...	...	...	...	...	...	...	3.0 to 4.25	...	remainder	11.0 to 12.0	0.02	0.10	0.02	...	...	0.50
ECuAl-C <sup>d</sup>	...	...	...	...	...	...	...	3.0 to 5.0	...	remainder	12.0 to 13.0	0.02	0.04	0.02	...	...	0.50
ECuAl-D	...	...	...	...	...	...	...	3.0 to 5.0	...	remainder	13.0 to 14.0	0.02	0.04	0.02	...	...	0.50
ECuAl-E	...	...	...	...	...	...	...	3.0 to 5.0	...	remainder	14.0 to 15.0	0.02	0.04	0.02	...	...	0.50
ECuSn-A <sup>d,e</sup>	...	b	...	...	b	...	...	b	...	remainder	0.01 <sup>b</sup>	b	b	0.02 <sup>b</sup>	4.0 to 6.0	0.10 to 0.35	0.50
ECuSn-C <sup>c</sup>	...	b	...	...	b	...	...	b	...	remainder	0.01 <sup>b</sup>	b	b	0.02 <sup>b</sup>	7.0 to 9.0	0.05 to 0.35	0.50
ECuSn-E <sup>c</sup>	...	...	...	...	...	...	...	...	...	remainder	...	...	...	14.0 to 18.0	5.0 to 7.0	0.30 to 0.50	0.50
ENiCr-A	0.30 to 0.60	...	1.50	...	remainder	8.0 to 14.0	...	1.25 to 3.25	2.00 to 3.00 percent boron	...	...	...	1.25 to 3.25	...	...	...	0.50
ENiCr-B	0.40 to 0.80	...	1.25	...	remainder	10.0 to 16.0	...	3.00 to 5.00	2.00 to 4.00 percent boron	...	...	...	3.00 to 5.00	...	...	...	0.50
ENiCr-C	0.50 to 1.00	...	1.00	...	remainder	12.0 to 18.0	...	3.50 to 5.50	2.50 to 4.50 percent boron	...	...	...	3.50 to 5.50	...	...	...	0.50

Note 1 - Analysis shall be made for the elements for which specific values are shown in this table. If, however, the presence of other elements is indicated in the course of routine analysis, further analysis, shall be made to determine that the total of these other elements is not present in excess of the limits specified for "total other elements" in the last column in the table.

Note 2 - Single values shown are maximum percentages, except where otherwise specified.

- a For bare electrodes the analysis given is for the as-manufactured electrode, and for covered electrodes the analysis given is for deposited weld metal; except for copper-alloy covered electrodes for which the analysis given is for the bare core wire.
- b Total other elements, including the elements marked with footnote<sup>b</sup>, shall not exceed the value specified.
- c This electrode available only as straight length bare electrode.
- d This electrode also available in bare coiled form for use with the gas metal-arc (consumable-electrode) process.
- e This AWS classification is intended to be identical with the same classification that appears in the latest edition of the Specification for Copper and Copper-Alloy Welding Electrodes, AWS Designation A5.6. (The chemical analysis shown is that which appears in 1969 edition of AWS A5.6.)
- f One or both of these elements may be present within the limits specified.

deposited weld metal must meet the tensile properties shown in Table 4-26.

Covered electrodes are available in sizes from 3/32-in. through 1/4-in. Bare electrodes for MIG welding are available in diameters from 0.035-in. to 3/16-in. in a variety of spool and coil sizes.

### **Copper and Copper-Alloy Welding Rods, AWS A5.7-69**

This specification covers copper and copper-alloy welding rods for the oxyacetylene and gas tungsten-arc welding processes. Rods are classified on the basis of the chemical composition of the rod and the mechanical properties of the welded joint.

The chemical requirements are shown in Table 4-27. The tensile-strength requirements are shown in Table 4-28. Strength is determined by a transverse test of a welded butt joint.

### **Surfacing Welding Rods and Electrodes, AWS 5.13-70**

This specification covers the requirements for bare and covered surfacing welding rods for use with oxyacetylene, gas tungsten-arc, carbon-arc, and atomic hydrogen welding processes. The section on electrodes deals with covered electrodes intended for surfacing with the shielded metal-arc welding process. Also, some bare metal-arc welding electrodes are included.

Weld-surfacing applications are extremely diversified, and, as a result, there are a great many different brand-name products available. This specification makes no attempt to classify all filler metals suitable for weld surfacing. Only those filler metals are covered that have gained some degree of industrial standardization and for which technical data are available.

Chemical requirements for welding rods are given in Table 4-29 and for electrodes in Table 4-30. Surfacing rods and bare electrodes are classified on the basis of the chemical composition of the as-manufactured product. Copper-base alloy covered electrodes are classified on the basis of the chemical composition of the core wire. All other covered electrodes are classified on the basis of the chemical composition of the deposited weld metal.

## **SHIELDING GASES**

Shielding gases are consumables used with the MIG and TIG welding processes. The American Welding Society does not write specifications for

gases. There are federal specifications, but the welding industry usually relies on "welding grade" to describe the required purity.

The primary purpose of a shielding gas is to protect the molten weld metal from contamination by the oxygen and nitrogen in air. The factors, in addition to cost, that affect the suitability of a gas include the influence of the gas on the arcing and metal-transfer characteristics during welding, weld penetration, width of fusion and surface shape, welding speed, and the tendency to undercut. Among the inert gases — helium, argon, neon, krypton, and xenon — the only ones plentiful enough for practical use in welding are helium and argon. These gases provide satisfactory shielding for the more reactive metals, such as aluminum, magnesium, beryllium, columbium, tantalum, titanium, and zirconium.

Although pure inert gases protect metal at any temperature from reaction with constituents of the air, they are not suitable for all welding applications. Controlled quantities of reactive gases mixed with inert gases improve the arc action and metal-transfer characteristics when welding the steels, but such mixtures are not used for the reactive metals.

Oxygen, nitrogen, and carbon dioxide are reactive gases. With the exception of carbon dioxide, these gases are not generally used alone for arc shielding. Carbon dioxide can be used alone or mixed with an inert gas for welding many carbon and low-alloy steels. Oxygen is used in small quantities with one of the inert gases — usually argon. Nitrogen is occasionally used alone, but is usually mixed with argon, as a shielding gas to weld copper. The most extensive use of nitrogen is in Europe, where helium is relatively unavailable.

### **Argon and Helium as Shielding Gases**

As noted, the inert natures of argon and helium are not the only characteristic that makes them suitable for gas shielding. Other characteristics are important and are deciding factors in the choice of gas for TIG or MIG welding with specific materials.

For a given arc length and current, arc voltage with helium is higher than with argon. Because more heat is produced with helium than with argon, helium is more effective for welding thick materials, particularly high-conductivity metals such as copper and aluminum alloys. Argon is more suitable for welding thin materials and those with lower heat conductivity, especially in welding positions other than flat.

The heavier a gas, the more effective it is for arc

shielding. Helium is very light; argon is about 10 times heavier than helium and about 30% heavier than air. When argon is discharged from the welding nozzle it forms a protective blanket over the weld area, while helium rises and disperses rapidly. For this reason, higher flow rates are generally required with helium (or with mixtures high in helium) than with argon shielding.

Shape of a weld bead and penetration pattern are determined, to a large extent, by metal-transfer characteristics which, in turn, are affected by the shielding gas used.

Metal is generally deposited either by spray transfer or by globular transfer. Spray transfer (usually the more desirable) produces relatively deep penetration at the center of the bead and shallow penetration at the edges; globular transfer produces a broader and shallower penetration pattern throughout the bead.

Argon generally promotes more spray transfer than helium and at lower current levels. But even with argon shielding, spray transfer cannot always be achieved at usable current levels — one of the problems in welding ferrous metals by the gas metal-arc process.

The physics of metal transfer across an arc is not completely understood. In an argon atmosphere with DCRP, the size of the metal droplet crossing the arc decreases as the current increases. At a critical level of current the mode of transfer changes abruptly. The tip of the electrode becomes pointed, metal transfers from the electrode to the work in a fine spray, the arc becomes very stable, and there is little or no spatter. Figure 4-2 illustrates the appearance of electrode tips in various shielding gases. A degree of spray transfer is possible with 20% argon and 80% helium. Here the argon has predominating effect because of its higher density.

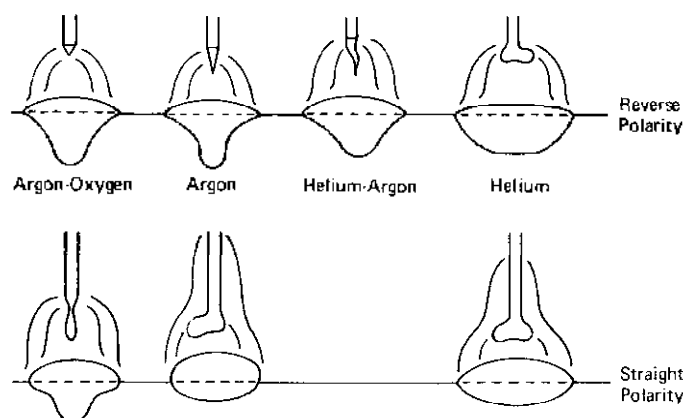


Fig. 4-2. Electrode tip shape, bead contour, and penetration patterns for various shielding gases.

### Inert Gases with Reactive Gas Additions

Improved metal transfer, a more stable arc, and less spatter result from the addition of oxygen or carbon dioxide to an inert shielding gas. These additions when welding carbon and low-alloy steels also promote wetting and flow of weld metal, thus reducing or eliminating undercut. Effects on penetration and bead shape of oxygen additions are illustrated in Fig. 4-2.

Noticeable change in arc action and metal-transfer characteristics in gas metal-arc welding result from addition of as little as 0.5% oxygen or carbon dioxide to argon. However, 1 to 5% oxygen is generally added. Oxygen or carbon dioxide is seldom added to helium or argon-helium mixtures.

Addition of 5% oxygen or 10 to 25% carbon dioxide to argon produces a significant pinch effect with a DC, straight-polarity arc. The filler wire tapers, the metal transfers in the form of a fast-moving stream of droplets, and the penetration pattern approaches that of reverse polarity. At the same time, melt-off rate is reduced considerably. With pure argon, melt-off rate with straight polarity is almost double that with reverse polarity. However, most MIG welding with an inert gas or carbon dioxide is done with DCRP (see Tables 4-14 and 4-16). Mixtures of 5% oxygen or 25% carbon dioxide with argon are commercially available.

Because of oxidizing effects, addition of oxygen or carbon dioxide to argon may cause porosity in some ferrous metals, as well as loss of such alloying elements as chromium, vanadium, aluminum, titanium, manganese, and silicon. Consequently, filler wires used with oxygen-containing shielding gas require additions of deoxidizers to counteract the effects of the oxygen.

Porosity in aluminum welds can be decreased by adding a small percentage of chlorine to argon or helium. For maximum effectiveness, the chlorine should be introduced separately through the welding torch. Chlorine's disadvantages of being poisonous and corrosive discourage its widespread use. When it is used, extreme caution and all applicable safety rules should be observed.

### Carbon Dioxide as a Shielding Gas

Carbon dioxide may be used as a shielding gas for the MIG welding of carbon and low alloy steels, but since it is a reactive gas the electrodes used must contain sufficient deoxidizers to counteract the effects of oxygen. Recently, stainless steel electrodes with high silicon have been developed for use with argon-25% carbon dioxide mixtures.



The low cost of carbon dioxide makes its use as a shielding gas very attractive. With the development of better electrodes, sound weld deposits with good mechanical properties can be made.

Two types of metal transfer occur with carbon dioxide shielding gas — globular and short-circuiting. The spray transfer experienced with argon or argon-oxygen mixture does not occur. Globular transfer produces a harsh arc with excessive spatter. By control of welding conditions, the short-circuiting type of metal transfer is promoted.

To promote the short-circuiting type of transfer when welding carbon and low-alloy steels, argon is often used as the dominant gas in a mixture, with the carbon dioxide content cut to 20 to 30%. Other mixtures with higher percentages of carbon dioxide also give short-circuiting transfer, with its advantages of low penetration, all-position capability, and the ability to handle poor fitup on light-gage material without burnthrough.

In the short-circuiting type of transfer, a globule of molten metal collects on the end of the electrode.

The electrode is being fed toward the work and, before the globule detaches from the end of the electrode, it contacts the molten crater and forms a short circuit. The high current due to the short circuit blasts the globule from the electrode into the crater. An arc then forms in the gap between the crater and the tip of the electrode, which starts another globule forming on the tip of the electrode. This cycle of metal transfer is repeated about 20 to 200 times per second.

### Shielding Gases for TIG Welding

Either argon, helium, or a mixture of the two is commonly used in gas tungsten-arc welding. Argon provides the advantage of easier arc starting, smoother arc action, better cleaning action for the AC welding of aluminum and magnesium, and superior resistance to draft. In addition, argon costs less than helium and requires a lower arc voltage for comparable currents and arc lengths.

In the manual welding of thin material, argon is recommended because its lower arc-voltage charac-

TABLE 4-31. SHIELDING GASES AND GAS MIXTURES FOR GAS METAL-ARC WELDING

Shielding Gas	Chemical Behavior	Uses, Remarks
Argon	Inert	For welding most metals, except steel
Helium	Inert	Al and Cu alloys, for greater heat and to minimize porosity
A and He (20-80 to 50-50%)	Inert	Al and Cu alloys, for greater heat input and to minimize porosity. Quieter, more stable arc than with He alone.
A and Cl (trace Cl)	Essentially Inert	Al alloys, to minimize porosity
N <sub>2</sub>	Reducing	On Cu, permits very powerful arc; used mostly in Europe.
A + 25-30% N <sub>2</sub>	Reducing	On Cu, powerful but smoother operating, more readily controlled arc than N <sub>2</sub> alone; used mostly in Europe.
A + 1-2% O <sub>2</sub>	Oxidizing	Stainless and alloy steels, also for some deoxidized copper alloys
A + 3-5% O <sub>2</sub>	Oxidizing	Plain carbon, alloy, and stainless steels; requires deoxidized electrode
A + 20-30% CO <sub>2</sub>	Oxidizing	Various steels; used principally with short-circuiting arc
A + 5% O <sub>2</sub> + 15% CO <sub>2</sub>	Oxidizing	Various steels; requires deoxidized wire; used chiefly in Europe
CO <sub>2</sub>	Oxidizing	Plain-carbon and low-alloy steels; deoxidized electrode is essential

teristic reduces the tendency for burnthrough. In vertical or overhead welding, this same characteristic reduces the tendency for the metal to sag and run.

Helium's higher arc-voltage characteristic is desirable when welding thick material or metals with high heat conductivity and for the high-speed mechanized welding of stainless-steel tubing. Mixtures of argon and helium are used to balance the arc characteristics.

Mixtures of argon or helium with hydrogen provide higher arc voltage and heat in the welding region than helium alone. This reactive gas, however, can damage many metals and alloys, including aluminum, copper, and magnesium-base materials. Mixtures of inert gas with hydrogen can be used in welding only a few materials, such as certain stainless steels and nickel alloys.

The rate at which some metals are joined by gas tungsten-arc welding and the quality of the resulting welds are significantly affected by gas purity. The reactive metals particularly can be degraded by gas impurities of a few hundredths of one percent. Copper, carbon steel, and stainless steels can tolerate much higher levels of impurities with no adverse affects.

Purity of commercially available argon and

helium averages over 99.95%, and in some cases exceeds 99.995%. Impurities in shielding gases usually consist of water vapor, oil, oxygen, or nitrogen — usually from sources other than the original gas supply. Water vapor or atmospheric gases can diffuse through the hose lines, or contaminants can be drawn in at leaks in the lines. Tubing that is not susceptible to gas diffusion should be used to supply shielding gas for welding of materials that are sensitive to impurities.

### Shielding Gases for MIG Welding

The most commonly used gases for gas metal-arc welding are given in Table 4-31.

Initially, only argon, helium, or a mixture of these inert gases were used for gas metal-arc welding. Other gases were not considered, because the primary use of the gas metal-arc process was for welding the more reactive metals, such as aluminum and magnesium, which require an inert gas shield. Today, however, the process is used for welding many metals that do not require inert-gas shielding.

Carbon dioxide shielding is widely used for MIG welding of carbon and low-alloy steels in conjunction with deoxidized electrode. Its advantage over the inert gases is its lower cost.

# Power Sources

All arc-welding processes require a continuous supply of electrical current in sufficient amount (amperage) and of proper voltage to maintain an arc. This current may be either alternating (AC) or direct (DC), but it must be supplied to the welding electrode through a device that enables its precise control. Only when the welding current is carefully controlled can the desired welding arc characteristics — and thus maximum welding efficiency — be obtained. The controlling device is called a power source or welder. Current may be supplied to it from utility power lines, or developed within it by generators or alternators driven by close-coupled gasoline or diesel engines.

Various types of power sources provide a range of voltage across the welding arc from 17 — the minimum voltage for starting an arc — to approximately 45 volts. The currents supplied through the power source may range from less than 10 amp to 1500 amp or more, the higher currents for automatic welding.

For efficient welding, the power source must permit control of the arc characteristics needed for a specific job. In one job, a forceful, deeply penetrating arc may be required, while, in another, a soft, less-penetrating arc may be necessary to avoid burnthrough. Electrodes are designed for various welding positions and they help compensate for power sources that have no arc characteristic adjustment. The welding process also dictates the type of power source needed. Table 4-32 shows the power source requirements for various processes.

TABLE 4-32. Power Requirements for Arc-Welding Processes

Process	Output Characteristic	Type of Current	Polarity
Shielded metal-arc, gas tungsten-arc, submerged-arc	Variable-voltage*	AC or DC	DCSP, DCRP, or AC
Flux-cored	Constant-voltage	DC	DCSP, DCRP
Gas metal-arc	Constant-voltage	DC	DCRP

\*In some applications, the submerged-arc process can use constant-voltage DC.

## CLASSIFICATION OF POWER SOURCES

Power sources are classified according to the type of current — AC or DC — and according to their voltage output, which may be either variable or constant. A further classification designates the method by which energy is supplied to the power source — from a power line directly or through an electric motor, or from a gasoline or diesel engine.

Whatever the type of power source, its main function is to supply the type of current needed for welding. Alternating current direct from the power line goes through a transformer in AC welders that allows control of the current. Thus, a simple AC welder is fed 230-volt single-phase current the same as a kitchen stove, and a selector switch enables the operator to use what AC current he needs for the job — say, a 225-amp output for 3/16-in. electrodes or 180-amp for 5/32-in. electrodes. A DC welder also gives similar control of the current. Direct current is produced from AC line power by either using the line power to run an electric motor that turns a DC generator (an electric motor-generator set) or running the line power through a transformer and then a rectifier (a rectifier set). Direct current may also be produced by driving a DC generator with any type of fuel-burning engine, such as a gasoline or diesel engine (engine-driven-generator set). A fuel-burning engine may also be used to produce AC current for welding by using it to drive an alternator instead of a generator. Combination welders, producing both AC and DC, are basically transformer-rectifier sets.

Arc Welding machines of all types are rated according to their current output at a rated voltage and duty cycle. This rating is generally set by manufacturers in accordance with standards established by the National Electrical Manufacturers Association (NEMA). These standards are established on a conservative bases, requiring a rating well below the maximum overload capacity of the machine so that it will provide safe operation efficiently over a long period of time.

Ratings are given with a percentage “duty cycle.” The duty cycle of a welder is the percentage of a ten-minute period that a welder can operate at a given output current setting. For example, if a

welder is rated 300 amp at a 60% duty cycle, it means that the machine can be operated safely at 300-amp welding current for 6 out of every 10 minutes. If this duty cycle is reduced in actual operation, the maximum permissible current is increased. Thus, at 35% duty cycle, this same 300-amp machine could be operated at 375 amp.

As noted previously, welders are classified as "variable voltage" (also called constant-current) or "constant voltage." A variable-voltage machine is one that delivers a current that changes only slightly with changes in voltage. A constant-voltage machine is one that delivers current with the voltage rising or dropping only slightly with changes in current output.

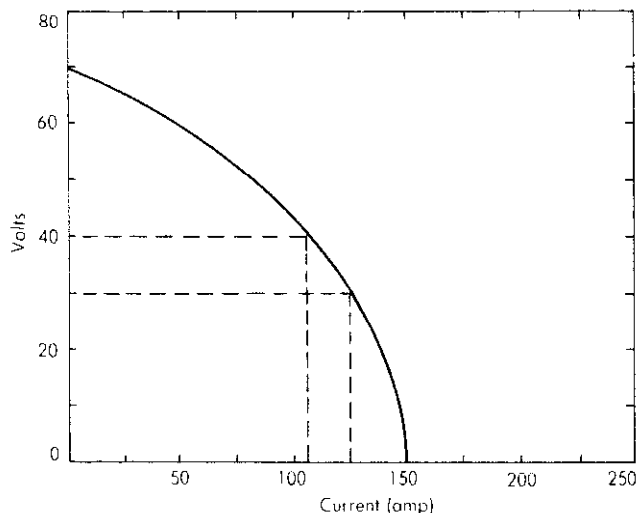


Fig. 4-3. Typical output curve for a variable-voltage power source, adjusted for minimum current variation.

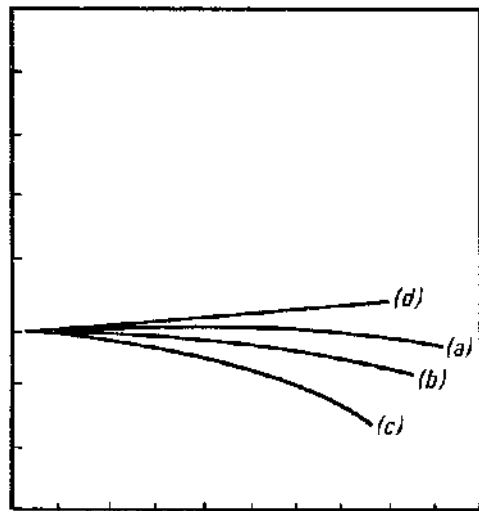


Fig. 4-4. Typical output curves for a constant-voltage power source.

Figure 4-3 shows a typical output curve for a variable-voltage welder. This type of output is used for submerged-arc, gas tungsten-arc, and shielded

metal-arc applications. Figure 4-4 shows typical output characteristics of a constant-voltage welder. Here, the voltage in the constant-voltage curve (a) rises slightly at the low currents and drops at the high currents. Most constant-voltage welders are designed with a small downward slope, as in curve (b), and have adjustments to increase the downward slope, as in curve (c). Some welders have a rising slope, as in (d), but this type of output is becoming less common.

### AC WELDERS

**Transformer Welders:** The transformer welder is a voltage step-down transformer that changes high-voltage, low-amperage AC input current to low-voltage, high-amperage AC welding current. Transformer welders usually operate on single-phase power. Most AC power produced in the United States is 60-hertz, and each time the polarity changes the voltage goes through zero, which tends to create an unstable condition in the arc. This problem, however, has been solved by designing better transient characteristics in the welder and better AC electrodes.

Transformer welders have controls to stabilize and adjust the welding current. A system for controlling the output current is provided either through a series of taps into the secondary windings or by a movable or saturable reactor in the output circuit. The taps provide step control. A reactor provides a continuous stepless control. Various types of starters are used and some are equipped with low-voltage contactors to reduce open-circuit



Fig. 4-5. A typical small AC transformer welder for light-duty and limited-service welding.

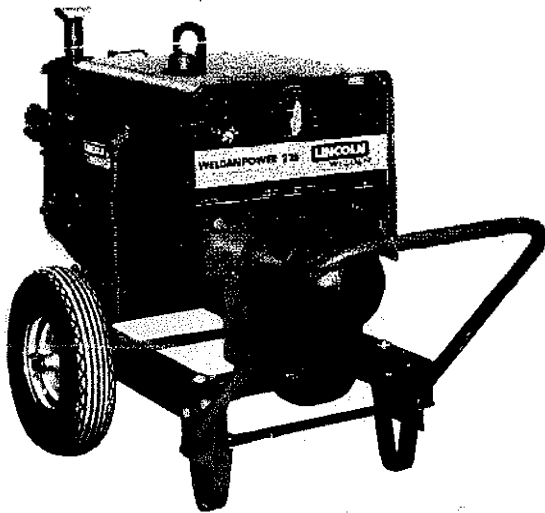


Fig.4-6. A typical engine-driven power source that supplies AC current for welding or power for lights and tools.

voltage when the machine is not operating. Some machines have an "arc booster" that gives an extra surge of current for a few seconds at the start of the arc in order to get deeper penetration at the beginning of the weld. Most welding transformers can be equipped with condensers to improve power factor and reduce the amount of input current used.

For the inert-gas shielded arc welding processes, transformer welders are equipped with necessary auxiliary controls. A device is required with TIG welding to help establish and maintain the arc.

Small, inexpensive transformer welders are widely used in light industry, maintenance work, and by farmers. Figure 4-5 illustrates a typical small (225-amp) AC welder. Rotating the switch at the center of the machine changes taps on the secondary coil, which, in turn, changes the welding current.

Small welders (180-amp or less) are available to meet Rural Electrification Administration input requirements.

Transformer welders rated at 600 amp or more are used primarily for automatic welding. Available

with these machines are optional accessories required for automatic welding, such as line contactors, remote current control, and DC for control power. With single submerged-arc welding, single-phase power is used. When two AC arcs are used, the welders are connected to a three phase power system to equalize the load. Three transformers can be used with the primaries connected to the three phase line and the secondaries connected closed delta. Each transformer must have a separate reactor to adjust the welding current and the phase angle between the arc currents. The Scott connection can also be used. Two transformers with a center tap connection on one primary are connected to a three phase power line. The unique connections between the two transformers establishes the proper phase relation between the arcs. With two electrodes, it is necessary to have approximately 90°-out-of-phase operation to prevent interactions between the electrodes that would produce severe arc blow. Reactors are used to adjust the welding current. Details of the connection can be supplied by the equipment manufacturer.

TABLE 4-33. Typical Ratings and Outputs for AC Variable-Voltage Welders

NEMA Rating			Output Current Range (amp)
Rated Current (amp)	Arc Voltage	Duty Cycle (%)	
180	25	20	30-180
225	25	20	40-225
250	30	30	30-300
300	32	60	30-450
400	36	60	40-600
500	40	60	50-750
600	44	60	50-850
1000	44	60	200-1250

Note: Input power is single-phase.

TABLE 4-34. Typical Ratings and Outputs for Alternator Welders and Auxiliary Power Sources

NEMA Rating			Output		Engine	
Rated Current (amp)	Arc Voltage	Duty Cycle (%)	Current (amp)	Type	Number of Cylinders	HP and Speed (rpm)
130 AC	25	30* 100†	60-130* 3500 †	Variable-voltage	1	10.0 3600
225 AC	25	50* 100†	20-225* 5000 †	Variable-voltage	2	14.2 2200

\* Welding output.

† Watts output when used as auxiliary power source.

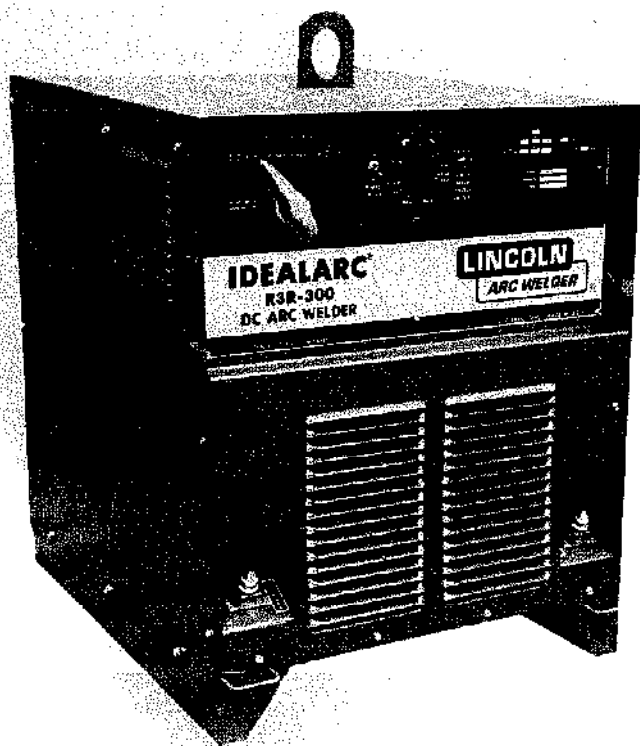


Fig. 4-7. A typical industrial type AC three-phase input, DC output variable voltage welder. The heavy duty welders are available in a wide range of sizes, see Table 4-36.

Table 4-33 shows typical AC welder ratings and output currents. A disadvantage of many transformer welders is that the output current changes with a change in line voltage. In most shops this is not a serious problem, but if the power-line voltage regulation is poor, the welding may not be satisfactory.

**Alternators:** AC welding current can also be obtained from an engine-driven alternator. A gas-line engine is usually used, and the engine-alternator set serves both as a portable welder and as an auxiliary power supply. Power output — 115 to 230 volts AC — can be used for lights, small tools, or as a standby energy source. A typical machine is illustrated in Fig. 4-6. Table 4-34 shows typical alternator ratings and output currents.

## DC AND AC-DC WELDERS

**Transformer-Rectifier Welders:** Rectifiers for converting AC current to DC have been developed to a stage of efficiency and reliability. A result of this development has been the combination of a rectifier with a transformer to form a DC welder. Various semiconducting materials have been used in current rectifiers, but, at the time of publication, the silicon rectifier has replaced most other types in welding machines.

In principle, the single-phase rectifier welder is a

TABLE 4-35. Typical Ratings and Outputs for Transformer-Rectifier Welders with Both AC and DC Variable-Voltage Outputs

NEMA Rating			Output Current	
Current (amp)	Voltage	Duty Cycle (%)	AC (amp)	DC (amp)
250	30	30	30-300	30-250
300	32	60	30-450	45-375
400	36	80	40-600	60-500
500	40	60	50-750	75-625
600	44	60	50-850	75-750

TABLE 4-36. Typical Ratings and Outputs for Three-Phase Transformer-Rectifier Welders

NEMA Rating			Output Current	
Current (amp)	Voltage	Duty Cycle (%)	DC Current (amp)	Type
300	32	60	45- 375	Variable-voltage
300	32	100	50- 375	Constant-voltage
400	36	60	60- 500	Variable-voltage
400	36	80	50- 500	Constant-voltage
500	40	60	75- 650	Variable-voltage
600	44	100	70- 750	Constant-voltage
600	44	60	75- 750	Variable-voltage
800	44	100	100-1000	Constant-voltage

transformer welder with a rectifier added to obtain a DC output. Adjustment of the welding current is through the AC section, as described for transformer welders. The output characteristic can be either constant or variable voltage. Welders built especially for gas metal-arc welding have adjustments for changing both the slope of the output curve and the reactance in the circuit for better performance when welding with short-circuiting transfer.

Transformer-rectifier welders are often designed with provisions for both AC and DC welding. These power sources, called combination welders, are especially convenient for structural work where the vertical welding is done by DC with E7018 electrodes, and flat welding is done by AC with E7028 electrodes. Combination welders are also convenient for gas tungsten-arc welding; AC is available for welding aluminum, and DC is available for welding stainless and carbon steel. Table 4-35 shows typical ratings and outputs for combination AC-DC transformer-rectifier welders.

Another type of transformer-rectifier welder is the step-down transformer, in which three-phase AC



Fig. 4-8. An AC-DC transformer-rectifier welder designed for gas tungsten-arc welding.

is fed to rectifier units which, in turn, feed DC to a single output circuit. The output can be either variable or constant voltage, but only DC is available since the AC is three-phase and cannot be used for welding. Table 4-36 shows typical ratings and outputs for three-phase transformer-rectifier welders. See Fig. 4-7.

Making optimum use of some welding processes may require that accessory equipment be added to the power source. This is especially true if the process is automated. A good example is the AC-DC transformer-rectifier welder built for the gas tungsten-arc process, sometimes called a TIG welder. A typical machine is shown in Fig. 4-8.

This welder can be used for any process using AC or DC variable voltage, but the accessories are designed primarily for gas tungsten-arc. A high-frequency voltage is superimposed on the output voltage so that the arc is established without touching the electrode to the work. The high frequency also stabilizes the arc by igniting the 60-cycle current each time it goes through zero. The intensity of the high-frequency voltage can be adjusted. The welding current is adjusted electrically by a small rheostat, and a provision is made to connect a

remote current control, which can be used to compensate for poor fitup or for crater filling in critical welds. The current can be adjusted to a very low value — some welding is done at less than 10 amp. Solenoid valves start and stop the flow of cooling water and gas. The gas valve has an electronic delay so that gas continues to flow after the arc is extinguished — to protect the crater and electrode from oxidation.

The transformer-rectifier welder has the same disadvantage as the transformer welder. A change in voltage on the transformer primary changes the welding current. The transformer-rectifier shown in Fig. 4-8 has line voltage compensation to eliminate the problem.

**DC Generators:** In the direct-current generator, an armature rotates in an electrical field. Current is generated in the armature and is taken off for use through a commutator. The armature is rotated either by an electric motor or an internal-combustion engine. The speed of rotation of the armature and the electrical design of the generator change the output characteristics. The arc characteristics of a generator can be precisely controlled. This fact lends DC welding more versatility than AC welding. Polarity of the electrode can be changed with a flip of a switch.

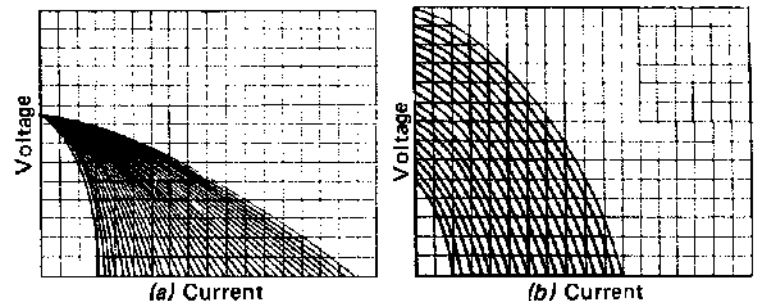


Fig. 4-9. Output for a DC generator welder having adjustments in both the series and shunt fields. Output curves produced by adjusting the series field are shown in (a); curves produced by adjusting the shunt field are shown in (b).

The DC motor-generator welder is driven by AC utility power. It can provide either variable or constant voltage, or a single unit may provide both types of output. The motor is usually a three-phase induction motor.

The variable-voltage type is a compound generator with a series field that causes the voltage to decrease as the current is increased. Two adjustments can be made to change the welding current:

1. For a given voltage, the output current can be changed by adjusting the series field. This

produces an output change as shown in Fig. 4-9(a), and is sometimes called the "current" control.

2. For a given current control setting, the output can be changed by adjusting the shunt field. This produces an output change as shown in Fig. 4-9(b).

Combining both adjustments can produce output characteristics similar to those shown in Fig. 4-3 or 4-11. A typical motor-generator welder is shown in Fig. 4-10.

DC-generator power sources, in general, have an adjustment that can provide an output of the type shown in Fig. 4-11. This output is highly suitable for vertical and overhead welding, where the operator uses a whipping motion that alternately raises and lowers the arc voltage. With the flatter characteristic shown in Fig. 4-11, there is greater change in current for a given change in voltage than with the output in Fig. 4-3. Since deposition varies with current, the weldor can vary deposition and thereby exercise more control of the molten puddle with the flatter output characteristic.

The constant-voltage motor-generator welder is a compound generator with a series field designed to keep the voltage nearly constant within the current capacity of the machine, as in Fig. 4-4(a). The slope of the output curve can be changed by an adjustment in the series field, as in curves (b) and (c). In some welders, an output shown by curve (d) can be obtained. These welders are always used with automatic or semiautomatic wire-feeding equipment, and the current is changed by changing the speed of the wire feed. The arc voltage is changed by adjusting the shunt field in the generator.

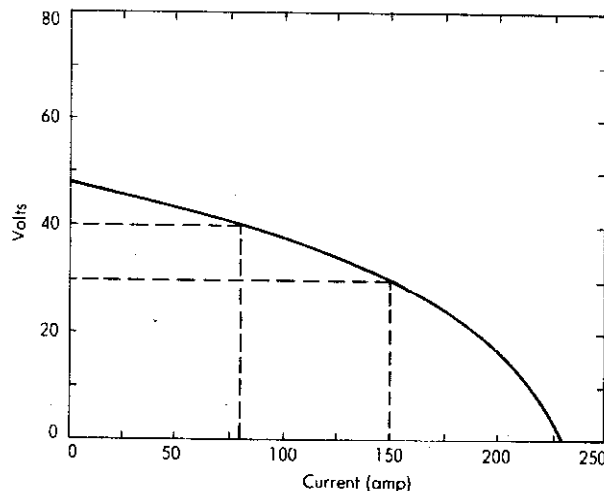


Fig. 4-11. Typical output curve preferred for vertical and overhead shielded metal-arc welding

Motor-generator welders that provide both variable-voltage and constant-voltage are gaining wider application, because they can meet a wide range of process requirements. Variable voltage is used to manually tack weld an assembly, and the welding is then completed with an automatic or semiautomatic process using constant voltage. Table 4-37 shows typical ratings and outputs for these motor-generator welders.

Every type of DC welder driven by an electric motor can be duplicated with a gasoline or diesel-engine drive. On heavy-duty machines of 200 amp and larger, the engines are liquid cooled. Gas engines are equipped with governors to maintain constant engine speed and with idling devices to reduce the engine speed when welding is not being done. Machines with air-cooled engines are available for light-duty work.

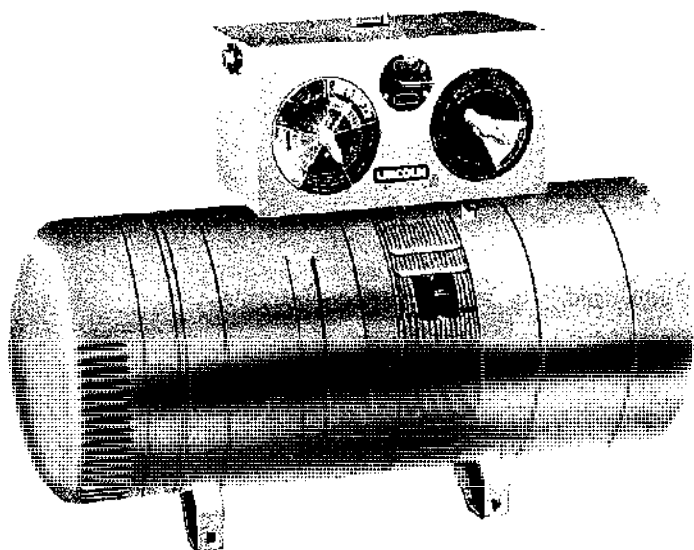


Fig. 4-10. A typical motor-generator welder.

TABLE 4-37. Typical Ratings and Outputs for Motor-Generator DC Welders

Rating			Output	
Current (amp)	Voltage	Duty Cycle (%)	Variable-Voltage (amp)	Constant-Voltage (amp)
200	28	60	30-300	...
250	30	30	40-250	...
300	32	60	45-450	...
300	32	60	60-375	60-375
400	36	60	60-600	...
400	36	60	60-600	60-600
600	44	80	...	875 max
800	44	80	100-900	1000 max
1000	44	80	...	1250 max



Diesel engines cost more than gasoline engines, but the diesel has several advantages. Diesel fuel costs less than gasoline, is less hazardous to handle, and is consumed less rapidly. Less maintenance is required with diesels, and engine life is longer.

**Multiple-Output Power Source:** A multiple-output power source is a single welding machine capable of providing welding current to several operators simultaneously. The use of such machines is limited to manual welding where several operators are working in a relatively small area. Many factors limit the economic use of these units; when an application appears feasible, the equipment manufacturers should be consulted.

## POINTERS ON SELECTING A POWER SOURCE

In selecting a power source, two important considerations are its output capacity and its suitability for the particular job.

The size or rated output of a machine required for a given job depends on the thickness of the metal to be welded and the amount of welding to be done. If a conservatively rated machine, made by a reputable manufacturer, is purchased, the selection can be made with confidence on that rating. There is no need to buy more capacity than will be required by the job. Be sure, however, to check the duty cycle. Machines with a low duty cycle should be used only for maintenance or intermittent welding. Continued operation of a machine beyond its rated capacity will shorten its service life. Of course, properly made and rated machines have large overload capacity, which means that higher than rated amperages can be used for shorter periods than the rated duty cycle allows.

In selecting the type of welder, an essential consideration is the energy source available. Motor-generator sets are generally available for only three-phase utility AC power, but can be ordered to different cycles and voltages. They are also available for DC power. AC machines are generally available for only single-phase power in various cycles, with or without power factor correction in the machine. Fortunately, in most manufacturing, the source of power does not present a limiting factor on the selection of a welder. The decision can be made on the basis of which is the most efficient and economical machine for a given job.

Where utility power service is through a 3KVA transformer on residential or rural lines, an industrial-type AC welder cannot be used. Here, it is necessary to use a limited-input transformer welder,

which is designed so that no more than a specified maximum amount of input current (37.5 amp) can be drawn.

The most important factor to be considered in selecting a power source is performance — what type machine will do the job easiest and enable better welding to be done at lower costs.

There is one best way for every welding job. Sometimes it is AC; sometimes it is DC. For one job, sensitive control may be required for maximum efficiency. For another, certain types of controls may be unnecessary. A welder should be selected, therefore, according to the job to be done.

The following may be used as a guide to select the proper power source based on the type of current.

### DC only

- Gas metal-arc welding
- Flux-cored arc-welding
- Exx10 type electrodes
- Exx15 type electrodes

### DC preferred

- Fast freeze applications
- Fast follow applications
- Welding stainless steel
- Nonferrous electrodes
- Surfacing with high alloy electrodes

### AC preferred

- Fast fill applications
- Iron powder electrodes except out of position welding
- Where arc blow is a problem

### AC or DC depending on the application

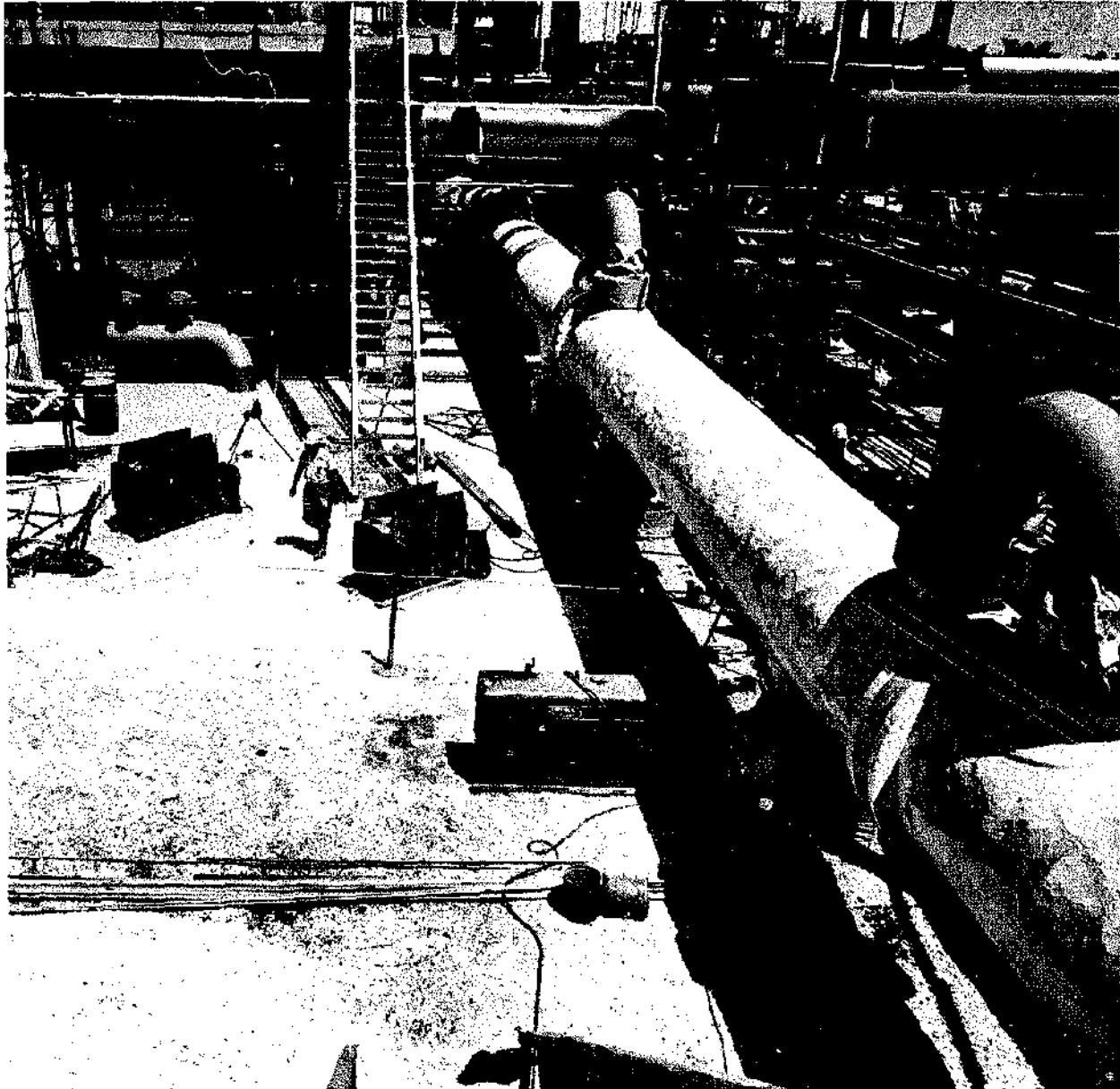
- Gas tungsten-arc welding
- Submerged-arc welding.

The small transformer-welder shown in Fig. 4-5 is widely used on farms, in garages and small machine shops, and by hobbyists. Obviously AC is not always the best type of welding current for such a wide variety of applications. However, the special electrodes and accessories developed for this type of welder make it very versatile even though limited to AC welding current. In this case, the selection of the power source is based on low cost, low power input requirements, and versatility rather than AC or DC.

If a job is entirely downhand in heavy plate, an AC machine will be most efficient. If the job is exclusively sheet metal welding, a DC machine will be most efficient. If the work is a combination of jobs, involving out-of-position welding, as well as straight downhand work, a combination AC-DC machine is the logical choice. These machines can be adapted to individual job requirements, combining

larger AC capacity with smaller DC capacity, or in any way that is required. For most manufacturing situations, both AC and DC are needed for maximum efficiency. The combination machine, there-

fore, is most efficient for general purpose welding. It gives the weldor the opportunity to select for himself the type of arc and current he can use most efficiently for the job at hand.



Typical example of welded high pressure pipe in a gas processing plant. Note the engine driven welding machines.

# Welding Equipment

Since there are several major arc-welding processes and various stages of mechanization in each, the welding equipment, in addition to the power source, involves numerous mechanisms and devices to facilitate laying a weld bead. It is beyond the scope of this handbook to catalog the many hundreds of items that are available. However, by observing the items of equipment required for the simplest form of arc welding — stick-electrode welding — and, then selectively replacing elements of this simple process with the counterparts that give increasing mechanization, it is believed that the reader can be given an understanding of the relation of any item of welding equipment to the basic scheme of fusion-joining by arc heating. In essence, all items of welding equipment other than the protective shields and clothing worn by workers are devices introduced in the basic welding circuit discussed in Section 1.3. Also, the differences between processes at the basic level amount to no more than different ways for accomplishing the same end.

In Fig. 1-31, the basic welding circuit is illustrated. In this circuit is the power source, with cables running from it in one direction to the work and in the other direction to the electrode, from the tip of which the arc is struck. On each side of the power source — extending to the work or the arc-delivering electrode — are other items of equipment needed to accomplish welding. This equipment will vary according to the welding process and its degree of mechanization.

## THE WELDING CABLE

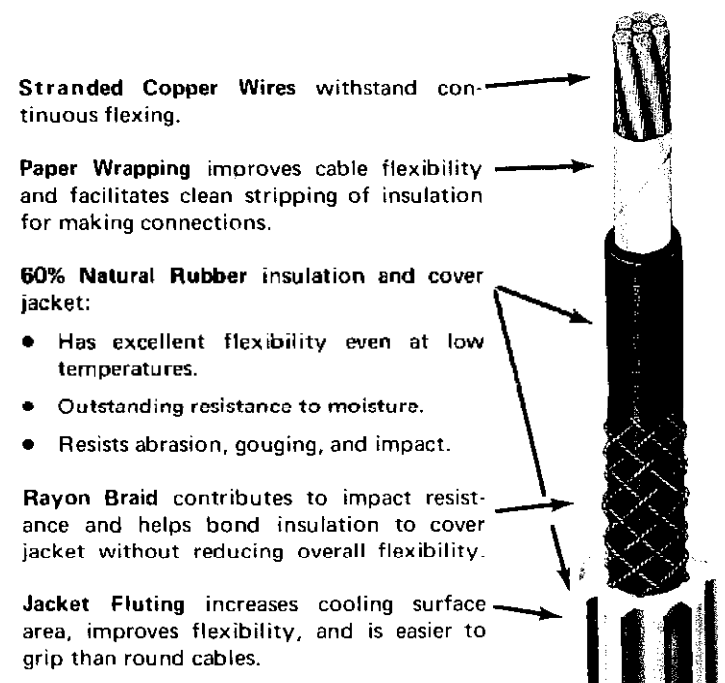
Whatever the process, the first item of equipment on both sides of the power source is a cable for carrying electrical current. The cable from the power source to the electrode carries current to the electrode and via the arc to the workpiece. The cable from the power source to the workpiece is the ground cable; it completes the circuit from the workpiece back to the power source.

These conductors are extremely important to the efficiency and success of welding. They must be properly sized to deliver the required current to the welding arc. The size must be adjusted to the length

of cable, and the cable assembly must be so designed and built that it performs its current-conducting function efficiently while giving wear resistance where wear is needed and flexibility where flexibility is advantageous.

The conductors in a welding cable are made from strands of fine copper or aluminum wire — preferably copper. The fine wires may be bunched in bundles, with a twisted assembly of bundles enclosed by a paper wrapping. A high-grade insulating material — usually natural or synthetic rubber — over the paper wrapping provides positive insulation. The paper wrapping allows the copper wire to slip within the rubber cover, enhancing the cable's flexibility. A special cable design adds cotton or rayon braiding, followed by a second "outside" covering of rubber. This outside covering is often fluted to increase the cooling area and enhance flexibility.

Figure 4-12 shows the construction of a premium-type cable, designed to give good flexibility and long service life. Often a "whip" cable of this flexibility grade would be used within 10 to 12 feet of the electrode holder in manual metal-arc



**Fig. 4-12.** Construction of a typical welding cable designed for good flexibility. A cable of this type would be used as the "whip" section of a cable assembly in manual metal-arc welding.

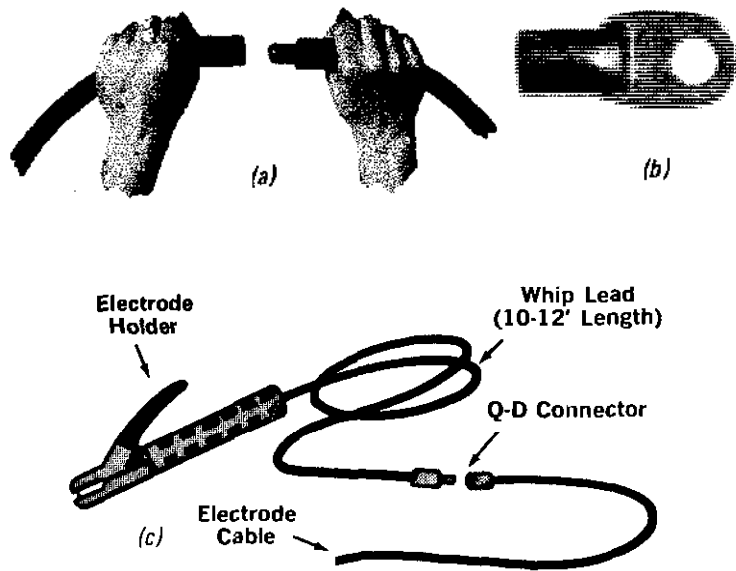


Fig. 4-13. All connections in a cable are important to efficient welding. (a) A quick-detachable connector, used for splicing or to connect (c) the whip section to the main cable. (b) The type of lug used at terminals.

welding, where its flexibility would allow ease in maneuvering the electrode. Such a whip section would use the smallest size permissible for its length and the current to be carried, in order to assure maximum flexibility. A whip section of highly flexible cable is usually connected to a stiffer length of cable that runs to the output terminal of the power source. This section of cable is similar in construction, except that often synthetic rubber is

used for insulating coverings to provide toughness and impact and abrasion resistance. The ground cable extending from the power source to the workpiece is also usually made from the stiffer, highly wear-resistant type of cable.

The size of cable used depends on the amperage to be carried and the total length of the electrical circuit. The longer the circuit, the larger the size wire needed to prevent voltage drop and the dissipation of current by resistance heating within the conductor.

Table 4-38 shows recommended copper cable sizes for manual welding. Using this table, one can determine the size needed for the particular welding station. Thus, if the maximum machine current is 200 amp and the station is 250 ft from the power source, 1/0 cable would be required. This size would allow up to a 60% duty cycle — or welding 6 out of every 10 minutes — without excessive heating of the cable or excessive voltage drop.

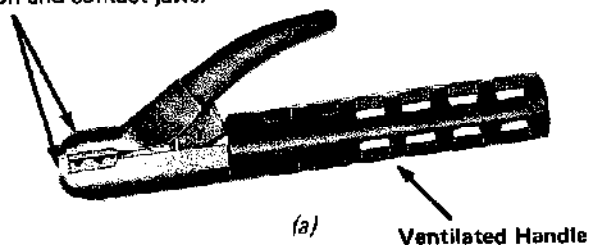
Just as the proper construction and size of the cable are important to efficient welding, so are all connections within it or at its terminals. Quick-detachable (Q-D) connectors, Fig. 4-13(a), are provided for splicing cable lengths or for attaching the whip length to the main cable, Fig. 4-13(c). These connectors are designed to lock so they cannot accidentally be pulled apart or work loose. They also are insulated. Cable lugs, Fig. 4-13(b), are needed for connecting welding cables to power sources, panels, switchboards, and some types of ground clamps or electrode holders and are provided

TABLE 4-38. RECOMMENDED CABLE SIZES FOR MANUAL WELDING\*

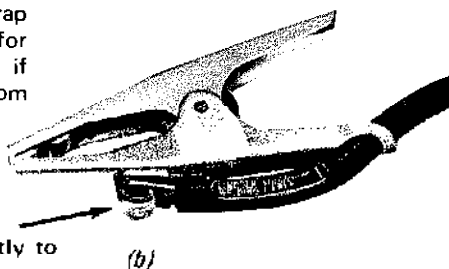
Machine Size in Amperes	Duty Cycle (%)	Copper Cable Sizes for Combined Lengths of Electrode plus Ground Cable				
		Up to 50 feet	50-100 feet	100-150 feet	150-200 feet	200-250 feet
100	20	#8	#4	#3	#2	#1
180	20	#5	#4	#3	#2	#1
180	30	#4	#4	#3	#2	#1
200	50	#3	#3	#2	#1	#1/0
200	60	#2	#2	#2	#1	#1/0
225	20	#4	#3	#2	#1	#1/0
250 +	30	#3	#3	#2	#1	#1/0
300	60	#1/0	#1/0	#1/0	#2/0	#3/0
400	60	#2/0	#2/0	#2/0	#3/0	#4/0
500	60	#2/0	#2/0	#3/0	#3/0	#4/0
600	60	#3/0	#3/0	#3/0	#4/0	***
650	60	#3/0	#3/0	#4/0	**	***

\* For fully automatic welding, use two 4/0 cables for less than 1200 amperes or three 4/0 cables for up to 1500 amperes.  
 \*\* Use double strand of #2/0.  
 \*\*\* Use double strand of #3/0.  
 + For 225-amp 40% duty-cycle machines, use same cable size as 250-amp 30% duty cycle machines.

Replaceable Parts, including nose insulation and contact jaws.



Heavy spring tightly clamps jaws to work or table. Internal copper strap connects both jaws for positive contact, even if one jaw is insulated from the work.



Cable lug bolts directly to the ground clamp.

**Fig. 4-14.** (a) An electrode holder with replaceable jaws, ventilated handle, and nose and arm insulation. (b) A ground clamp for attaching the ground cable to the workpiece or fixture.

in sizes to fit the cables. Lugs and Q-D connectors should be soldered to the cable.

## THE ELECTRODE HOLDER

Following the basic welding circuit, there is one more item of welding equipment between the power source and the electrode in manual metal-arc welding — namely, the electrode holder. This is basically no more than a clamping device for grasping and making firm electrical contact with the electrode, with an insulated handle for the operator's hand. It can be designed, however, with a number of refinements, such as replaceable jaws, a ventilated handle, and a hand shield. Figure 4-14(a) shows a type of holder with replaceable jaws, ventilated handle, and nose and arm insulation. The cable conductor may be connected to the holder by a nut-and-bolt arrangement, or the holder may come from the supplier with a whip section of cable permanently attached by some type of fused joint. Solder connections are provided in some designs.

Insulated electrode holders are used almost universally to prevent grounding the holder should it accidentally touch the work or the fixture holding the work.

Electrode holders are rated according to their current capacities, which are usually in the range of 300 to 600 amperes, and are produced in sizes to accommodate the sizes of electrodes required. Since operator comfort is desired, the smallest holder that will do the job is usually chosen. If a holder becomes hot while welding, the operator knows that it is too light for the welding current being used. There should be a margin between the current rating for the holder and the amperage used on the job. Thus, if the welding is done at 275 amp, the holder should be rated at least 300 amp.

## GROUND CONNECTIONS

On the ground side of the power source, there must be a means of connecting the ground cable to the workpiece. A ground clamp, bolted to the lug at the end of the ground cable, is a simple and versatile connector. A ground clamp is shown in Fig. 4-14(b). The ground clamp may be attached to the workpiece directly or to a fixture that holds the workpiece and makes good electrical contact with it.

The ground connection varies with the process, and, in highly automatic welding installations, may be a permanent stationary connection or a connection made through brushes or rotating or sliding shoes (see Section 4.4). The ground must make a firm, positive connection, and its placement in respect to the layout of the assembly and direction of welding is important for good arc characteristics and the prevention or minimization of arc blow (see Section 3.2). The experienced weldor knows that good grounding is essential to good work and that attention to this factor cannot be overemphasized.

In some welding installations, it is the practice of using a steel bar or a reinforcing rod as a common grounding connection between two or more workholding fixtures. When this is done, care must be taken to assure that the steel grounding bar has adequate cross-sectional area to match the copper welding cable in electrical conductivity. Since the conductivity of copper is almost 7 times that of mild steel, the cross-sectional area of any common steel grounding bar should be at least 7 times the cross section of the welding cable conductor. If the grounding bar is inadequate in cross section, high resistance will develop in the circuit, the voltage will drop, and poor performance will result.

Grounding is discussed repeatedly in subsequent sections, emphasizing its importance to efficient welding. A point to bear in mind is that the ground connection should occupy the total surface of

contact and the area of that surface must be at least equal to the cross-sectional area of the conductor. This means that the area of contact must be free from any scale, rust, oil, grease, oxides, or dirt that would act as points of insulation. Brightening the area of contact with sandpaper or a wire brush before making the connection is good practice.

There is a simple way to test the soundness of the circuit during welding — namely, any time the circuit is off, run the hand over the length of the cable from the power source to the electrode. If a “hot” section or a section warmer than the rest of the cable is felt, one knows that undue resistance heating is occurring in that section. If the hot section is near a terminal, the connection at the terminal is suspect; if any place along the cable, the cause is probably broken strands within the cable. If the entire cable is hot to touch, it is probably undersized for the welding current being used.

With mechanized welding equipment, conductors other than those carrying the welding current may also be required between the power source and the welding gun or head. These conductors are small wires that carry just enough current to operate controlling devices. They are usually in a cable separate from the welding current cable, but, in some instances, may be incorporated in the welding-cable construction.

## THE SEMIAUTOMATIC GUN AND WIRE FEEDER

Once any degree of welding mechanization is attempted, the equipment becomes complicated — but still it is merely a modification of the primary elements in the basic welding circuit. Thus, when one moves from stick electrode to semiautomatic welding with continuous electrode, a semiautomatic gun and an electrode wire-feeding mechanism take over the function of the simple electrode holder. A passageway, or conduit, made from plastic tubing or spirally-wound steel wire, is provided for movement of the continuous electrode. This conduit is usually incorporated into the cable carrying the welding current, which may also contain wires for the control circuit that initiates electrode feeding. Additionally, tubing or another arrangement may be required to supply granular flux or shielding gas to the arc, depending on the process.

If the mechanization is carried a step further — to full automation — a welding head with all the auxiliary equipment required is substituted for the simple electrode holder in the basic welding circuit.

One of the simplest semiautomatic processes in terms of equipment is the self-shielded flux-cored electrode process, a schematic of which is shown in Fig. 4-15. Here, a wire-feeding mechanism with its

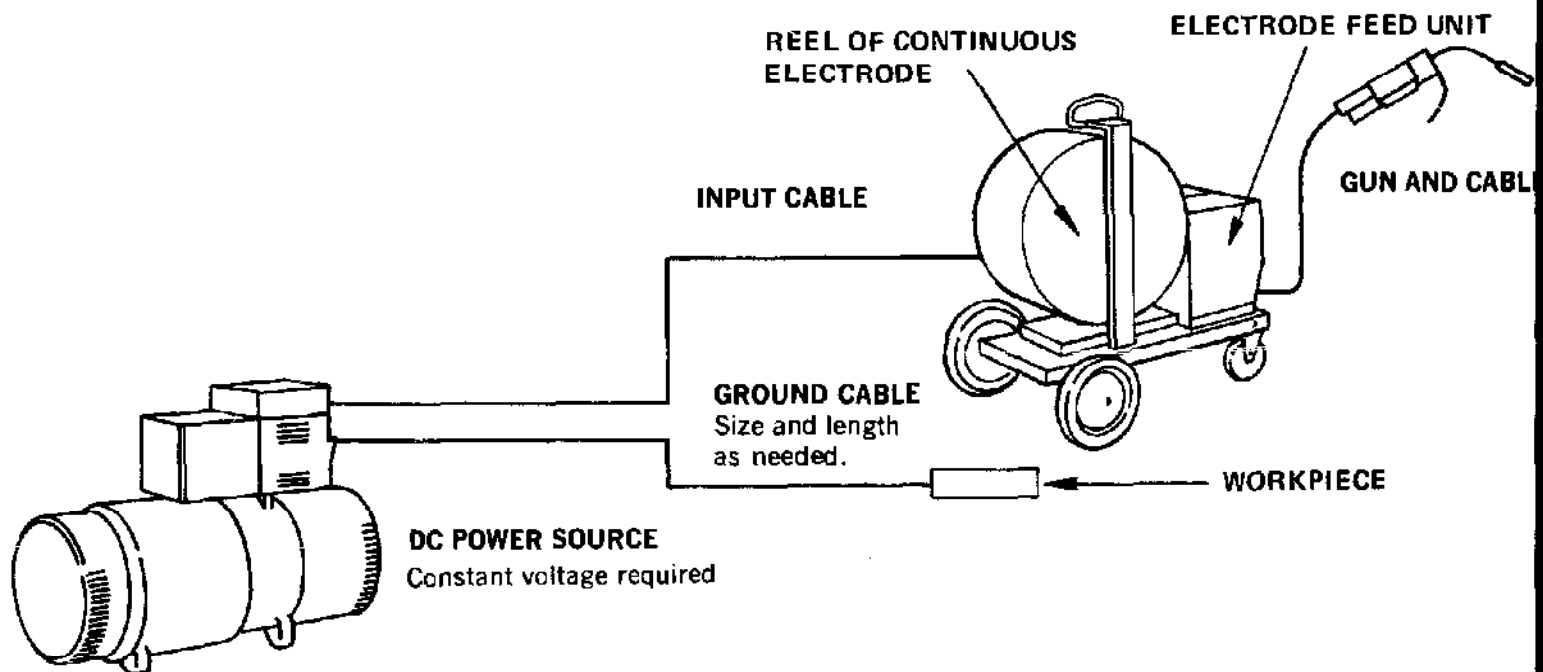
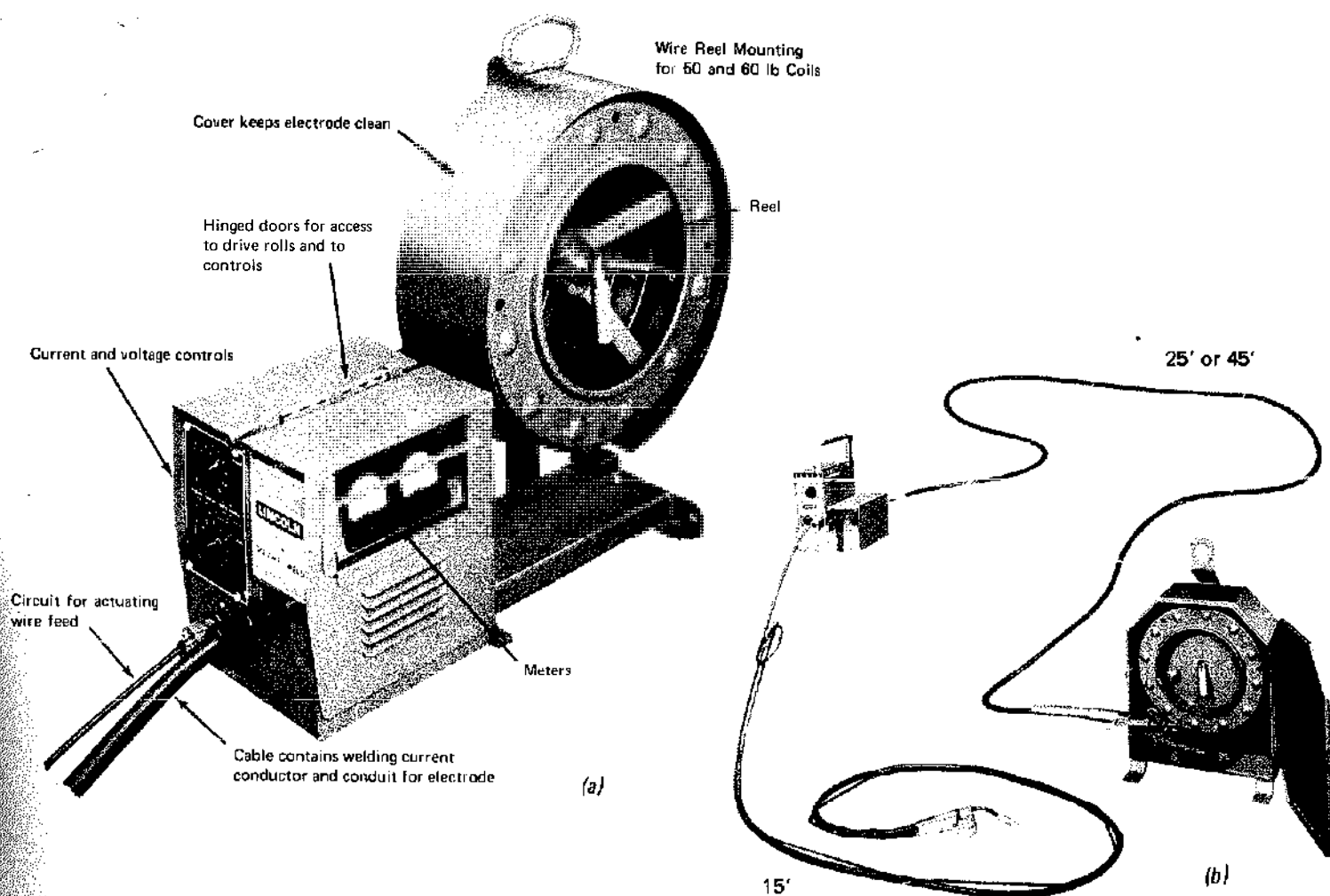


Fig. 4-15. A schematic of the semiautomatic open-arc self shielded flux-cored electrode process — one of the simplest semiautomatic processes in terms of equipment and the most versatile for steel welding.



**Fig. 4-16.** (a) A typical wire-feeding mechanism, as used with semiautomatic self-shielded flux-cored or submerged-arc welding. (b) How the drive-roll and control unit may be separated from the coil of electrode to give even greater flexibility to semiautomatic welding.

controls and a reel of electrode wire has been interposed in that part of the basic welding circuit between the power source and the arc, and the electrode holder used in stick-electrode welding has been replaced with a welding gun.

Figure 4-16(a) depicts a typical wire feeder with the wire drive-roll and control unit built integrally with the wire reel. Note that two cables exit from the mechanism. The large one contains both the welding current cable and the conduit passage for the electrode wire. The small cable contains the wires for the circuit that activates wire feed and also activates contactor circuit so electrode is cold when not welding. The electrode feed rate is set by the controls on the control box, and this rate, in turn, regulates the amperage supplied by the constant-voltage power source.

In Fig. 4-16(b) the drive-roll and control unit are seen detached from the reel housing — a modification that permits working farther from the electrode

supply and moving the control mechanism into tighter working quarters. Here, the drive mechanism pulls wire from the reel and then pushes it the remaining distance to the welding gun. Wire feeding is initiated and the welding circuit energized when the operator presses a trigger on the welding gun.

Flux-cored electrodes require drive-rolls that will not flatten or otherwise distort the electrode. Various grooved and knurled surfaces are used to advance the wire. Some wire feeders have a single pair of drive-rolls; others, two pairs with at least one roll of each pair powered.

Good, trouble-free wire feeding depends on the size of the drive motor, the diameter of the electrode, the length of cable between feeder and gun, the type of gun — straight-through or curved nozzle — and the surface condition of the electrode. Thus, a system that is satisfactory for driving a 3/32-in. electrode through a 10-ft conduit and a straight-through gun may be unsatisfactory for

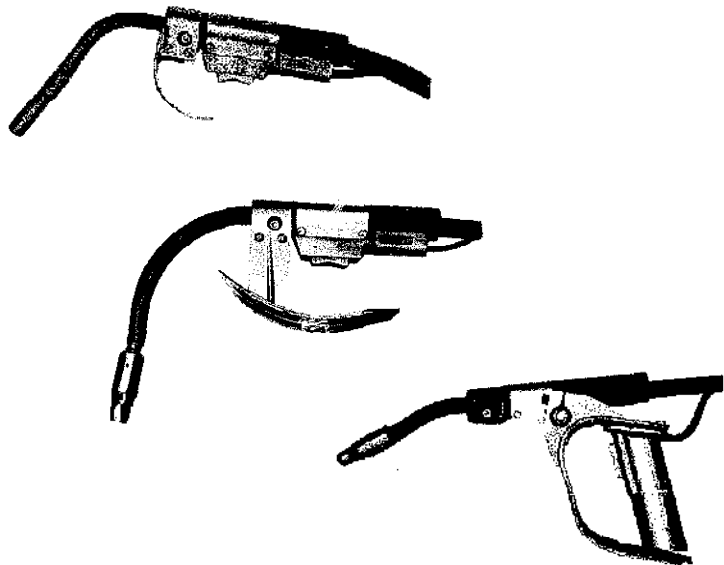


Fig. 4-17. Various designs of guns for semiautomatic self-shielded flux-cored electrode welding. The one at the top is rated at 350 amp, the middle one at 450 amp, and the lower one at 600 amp. The joint to be welded affects selection of nozzle curvature.

driving a 7/64-in. electrode 15 ft through a cable and through a 60° curved-nozzle gun.

The semiautomatic welding gun (Fig. 4-17) is designed for comfortable holding and ease in manipulation. The gun provides internal contacts that initiate wire feed and complete the welding circuit at the press of the trigger switch. Most semiautomatic guns for the self-shielded, gas-shielded, and submerged-arc processes are designed for air cooling, which permits them to be small, light, and highly maneuverable. Water-cooled guns are also available, but this requires separate tubing for supply and return of water and a bulkier construction to provide water passages; thus, ease of handling and maneuverability are lessened.

Guns may have either straight or curved nozzles. The curved nozzle may vary from 45° to 80°. Straight-through nozzles are favored for fillet welds and when the work flows under the gun. Curved nozzles are preferred for depositing butt welds in heavy sections. The curved nozzle enhances flexibility and ease in manipulation, but requires heavier-duty wire-drive units. Curved nozzles are generally favored with the self-shielded process.

Semiautomatic guns should be of simple construction for minimum maintenance, but must be rugged to withstand physical abuse. Nozzles, contact tips, and switches should be designed for long life and ease of replacement. Nozzles should be rugged, insulated to prevent shorting to the workpiece and resist adherence of spatter. Contact tips should be

made of a suitable alloy and should have sufficient cross-sectional area to provide optimum life for the size of electrode and current used.

The equipment for gas-shielded or submerged-arc semiautomatic welding requires additional features — such as equipment for containing, metering, and conducting shielding gas to the welding gun; tanks and hoses for submerged-arc flux; and modifications at the gun for dispensing the shielding material. The sections treating the individual processes discuss some of the specific items of equipment. Several types of semiautomatic guns for submerged-arc welding are shown in Fig. 4-18.

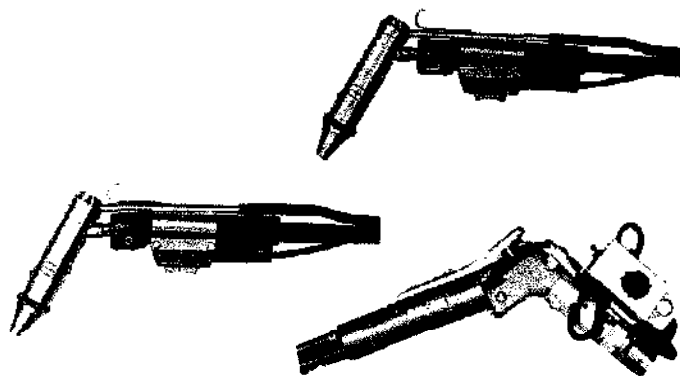


Fig. 4-18. Semiautomatic guns for submerged-arc welding. The concentric nozzle supplies flux as well as electrode wire. The gun at the top is rated at 350 amp; the others at 600 amp. Note the mechanized hand travel unit attached to the bottom gun; this small motorized unit paces the welding travel (see Fig. 4-19).

Semiautomatic welding equipment appears quite simple compared to full-automatic welding equipment, but possibly represents even a higher stage in mechanization ingenuity because of its simplicity. Semiautomatic welding attempts to put a degree of mechanization in the great bulk of welding work that is not subject to full mechanization. This work requires extreme flexibility, which is impossible with any fully mechanized equipment. With semiautomatic welding, the operator still holds the equivalence of an electrode holder (the gun) in hand and travels and maneuvers it, but frequent electrode changing is eliminated and the pace of welding is established by the preset electrode feeding rate.

#### MECHANIZED TRAVEL UNITS

Semiautomatic welding takes a step toward full mechanization when devices and mechanisms are used with the semiautomatic gun to relieve the operator of holding, guiding, and traveling it. Thus,



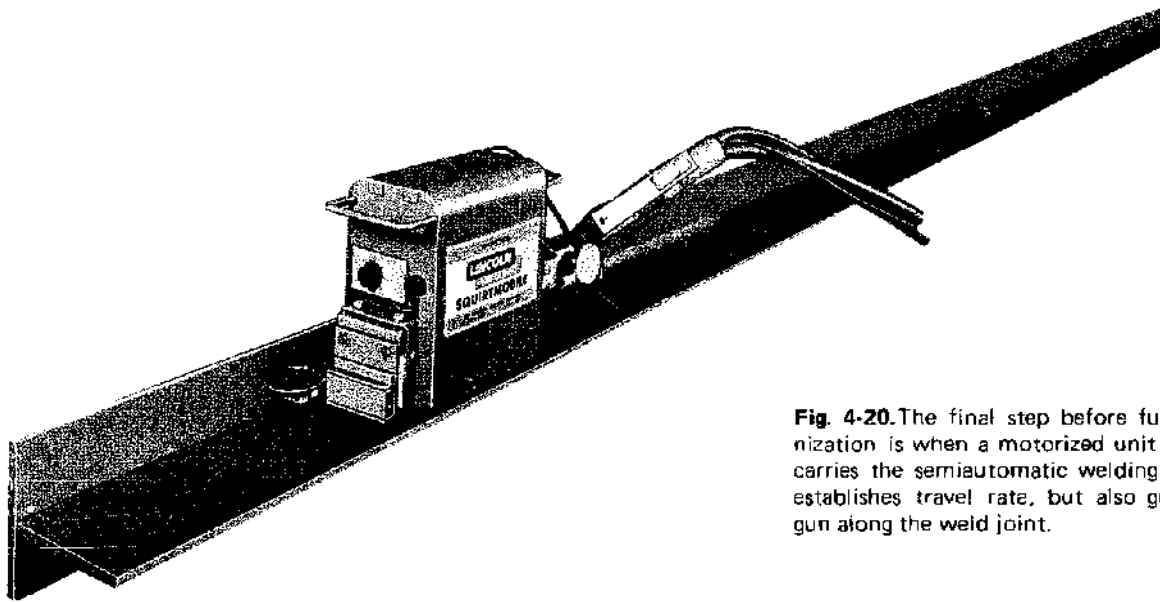


Fig. 4-20. The final step before full mechanization is when a motorized unit not only carries the semiautomatic welding gun and establishes travel rate, but also guides the gun along the weld joint.

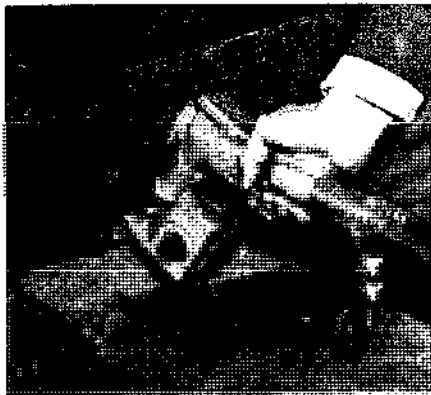


Fig. 4-19. A small motorized unit added to the submerged-arc gun establishes the travel rate and supports the gun as it travels the seam. Here, the welder merely guides the semiautomatic gun and controls starting and stopping.

A small mechanized travel attachment mounted on the nozzle of the submerged-arc gun, shown in Fig. 4-19, establishes the rate of travel over a seam and supports the weight of the gun. Or, a small self-propelled trackless carriage, such as shown in Fig. 4-20, relieves the operator of holding and guiding the gun over the joint. His only function left is placing it on the work, starting and stopping its operation, and monitoring its performance. The sketches in Fig. 4-21 show how the spring-loaded guide rolls of the unit are set to maintain the desired path over the assembly.

### FULL-AUTOMATIC WELDING HEADS

With fully mechanized welding, a great variety of equipment — much of it custom-designed — is used, but still all of this equipment may be viewed as a substitute for the simple electrode holder used in stick-electrode welding. In a fully mechanized

installation, the manual skill of the welder is replaced entirely. Machines supply the skill — and the operators of such machines provide the instructions and watch over the machines to make sure that instructions are followed.

The welding head replaces the welding gun at the fully mechanized stage of arc-welding development. The head may be stationary with the work moving under it, or it may move across the work. The head may feed one wire (single-arc head) or two wires (Twinarc\*), and two or more heads may be used together (tandem-arc and multiarc).

Figure 4-22 shows sketches of various wire-feeder arrangements for full-automatic submerged-

\*Twinarc is a registered trademark.

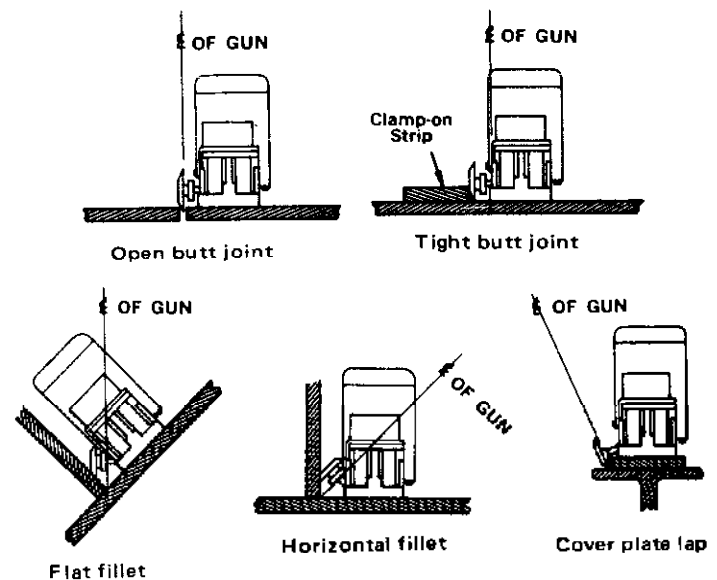


Fig. 4-21. These sketches show how the outboard guide wheels of the motorized unit shown in Fig. 4-20 are set to follow various types of joints.

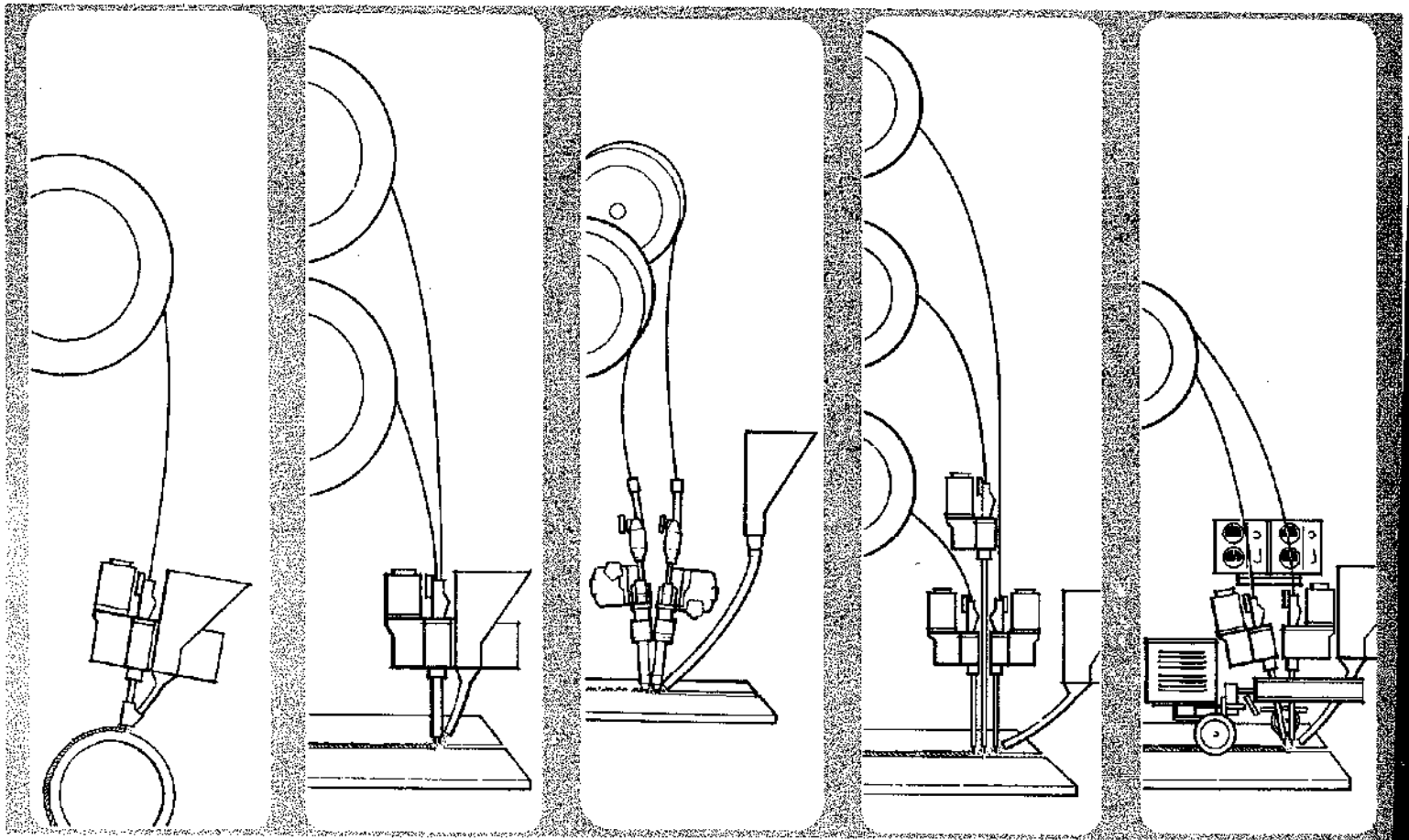


Fig. 4-22. Schematics of various wire-feeder arrangements for full-automatic submerged-arc welding.

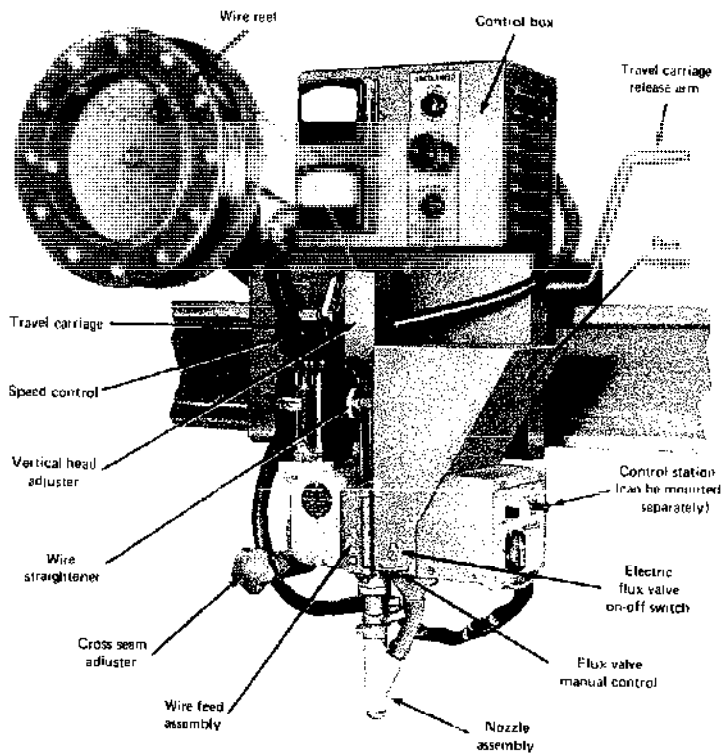


Fig. 4-23. A typical full-automatic welding head for submerged-arc welding.

arc welding. Here, the heads also meter out the granular flux needed for shielding the arcs. With gas-shielded processes, attachments to the head similarly supply the gases needed for shielding.

A typical full-automatic submerged-arc welding head is shown in Fig. 4-23. It is depicted as it would ride on a beam over a joint, carrying a reel of electrode wire. The wire feeder is an integral unit, as is the flux hopper. The control circuit automatically varies the wire feed speed to maintain the arc length. The head is adjustable to various positions for different fixtures and applications, as illustrated in Fig. 4-24.

Full-automatic welding is not limited to fixed locations. By use of a self-propelled trackless tractor, the welding equipment may be taken to the work, rather than the work brought to the welding equipment. Self-propelled units, such as the DC-AC tandem submerged-arc welder shown in Fig. 4-25, are widely used in ship and barge building; beam, girder, and column fabrication; bridge deck welding and for long seams on other weldments, either in the shop or in the field.

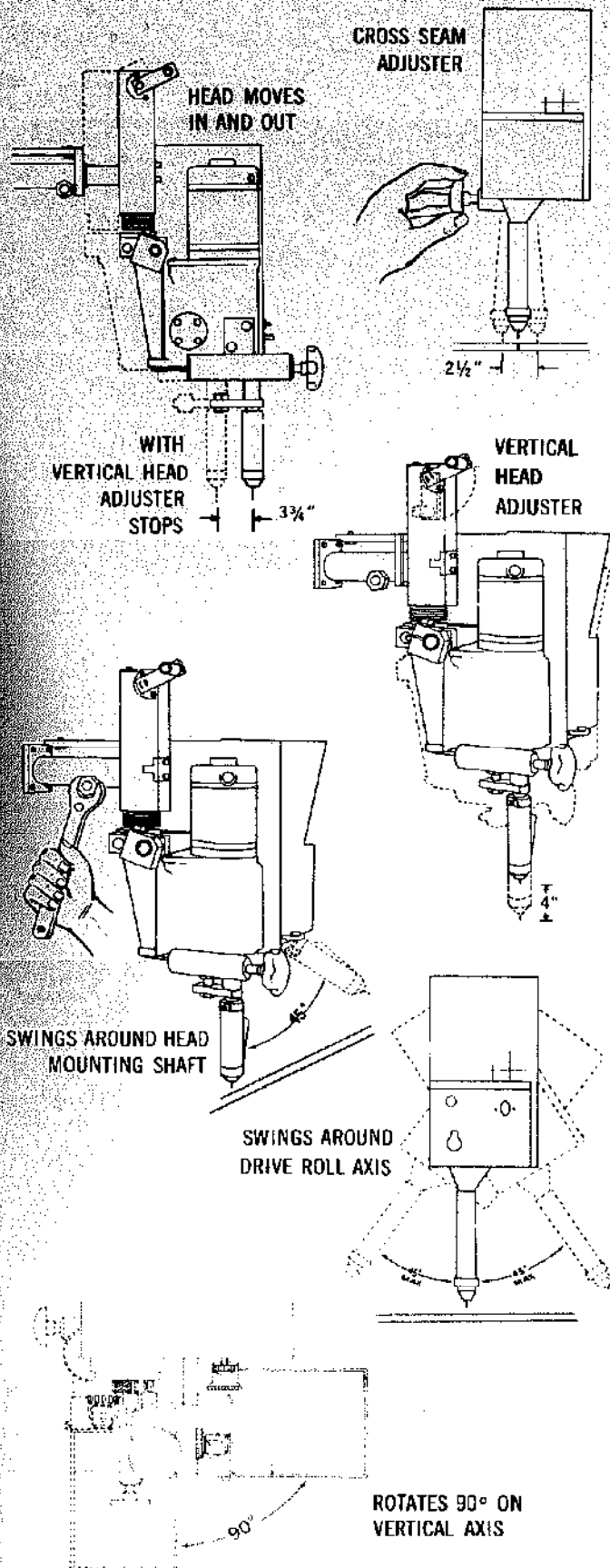


Fig. 4-24. How the head illustrated in Fig. 4-23 can be adjusted to different positions.

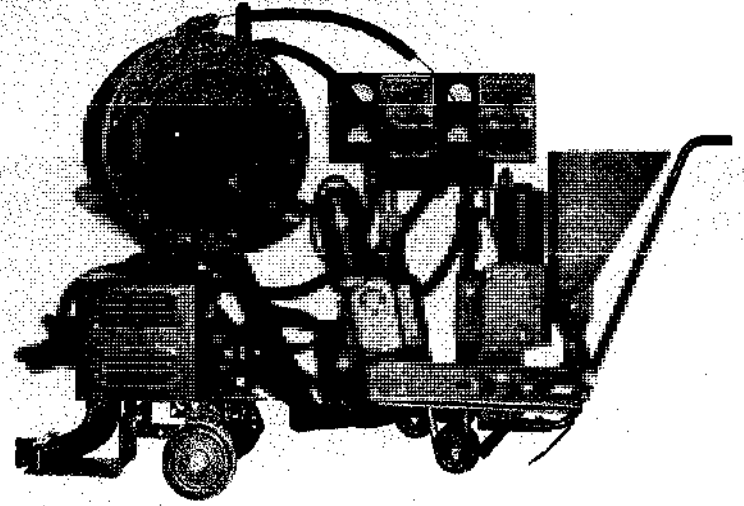


Fig. 4-25. A typical self-propelled trackless tractor that takes full-automatic submerged-arc welding to the work, either in the field or in the shop. The unit shown is a DC-AC tandem welder.

The installation for full-automatic welding can become extremely complex — with as many as 20 arcs used simultaneously. Figure 4-26 shows the use of two electrode wires with one head (Twinarc welding) in the welding of a preformed box beam by the submerged-arc process. This is possibly what might be regarded as the first step toward increased

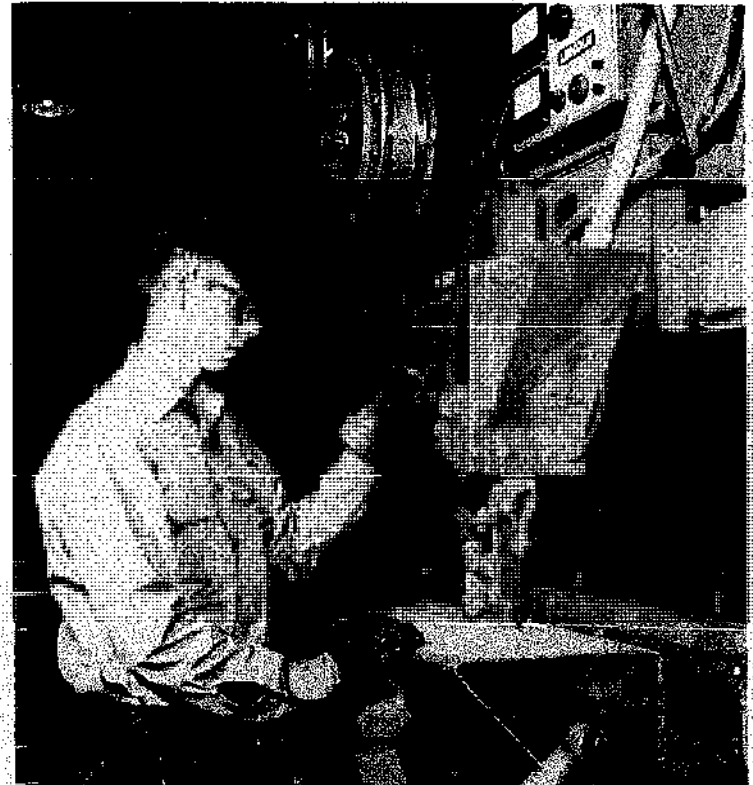


Fig. 4-26. Twinarc welding on a preformed box beam. Special attachments permit two wires to be fed to the joint through one head. In this application, the use of two wires almost doubled the welding rate over that experienced with one wire.

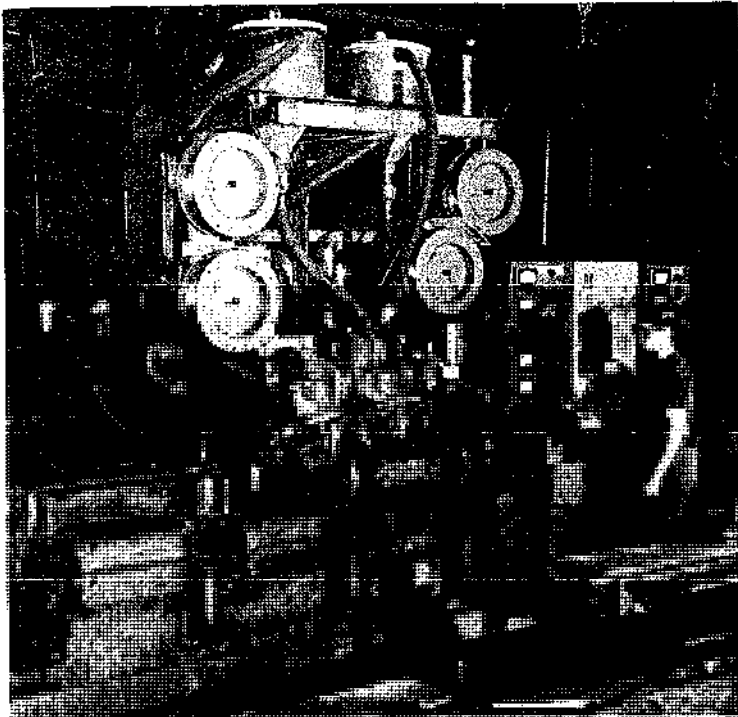


Fig. 4-27. Welding with two tandem-arc heads simultaneously. Two groove welds in a side member of a foundry flask are deposited in one traverse of the heads. Lead electrodes are operated at 700 amp and 35 volts DC negative and the trail electrodes at 650 amp and 35 volts AC.

complexity in fully mechanized welding. The attachment that permitted the use of two arcs with one head in this particular application almost doubled the welding rate that had been experienced when using a single electrode with the beam-supported head. Normally a 50% increase in speed can be expected.

In Fig. 4-27, an increased degree of complexity is seen. Here, two tandem-arc heads are being used to make two groove welds in one traverse in fabricating foundry flasks. Electrode wire is supplied from four reels. Additional examples of full-automatic welding installations are shown in Section 4.4.

### EQUIPMENT FOR ARC HEATING

Heretofore, in this section, welding equipment has been presented as those elements that might be interposed in the basic welding circuit — from the power source to a consumable electrode and from the power source to the workpiece.

As indicated in Section 1.3, the electrode in the basic welding circuit could be nonconsumable, and the arc struck by it could be for the purpose of heating the joint to fuse parts together or to melt separately applied filler metal into the joint. When the electrode is nonconsumable, the arc is much like an acetylene-oxygen torch — a method of heating.

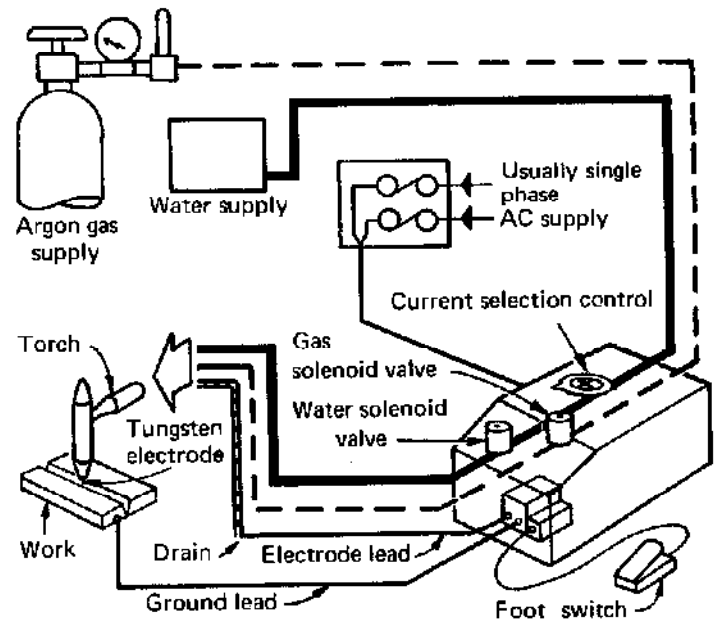


Fig. 4-28. Representative items of equipment used in TIG welding.



Fig. 4-29. (a) A transformer-rectifier welder designed for AC-DC TIG welding or for AC-DC welding with consumable covered electrodes; (b) a high-frequency generator for adapting an AC or DC metal-arc welder for use with the TIG process.

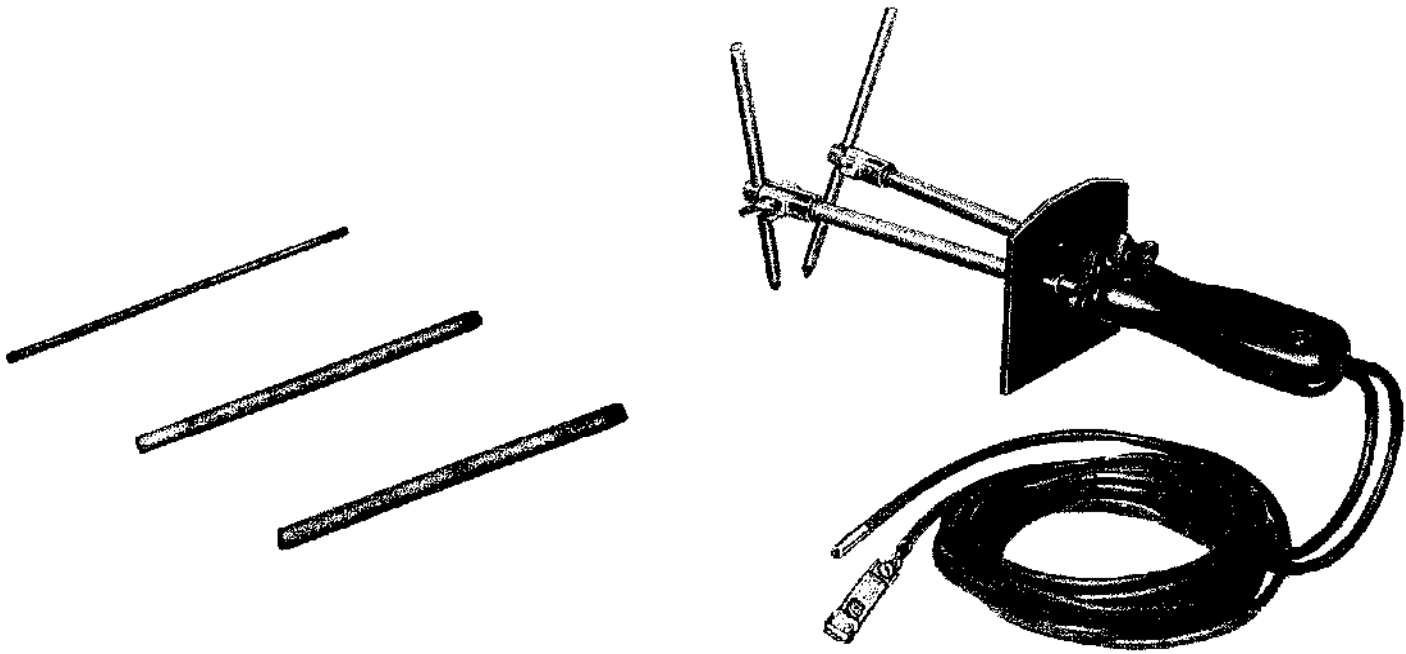


Fig. 4-30. The arc torch is a tool for welding, brazing, soldering, and heating for bending, straightening, and shrinking.

Welding may be done with the arc heat — or the heat may be used for brazing, soldering, or such operations as bending and straightening.

A nonconsumable electrode of tungsten allows a weld to be made from a separately applied filler rod or wire and is the basis for the tungsten inert-gas (TIG) process. Figure 4-28 shows representative items of equipment used in TIG welding, and Fig. 4-29(a) shows a transformer-rectifier welder that can be used either for AC or DC TIG welding or for AC or DC welding with consumable covered electrodes. The unit illustrated by (b) in Fig. 4-29 is a high-frequency generator for adapting an AC or DC metal-arc welder for use with the TIG process. Both of the illustrated units have inert-gas and cooling-water valves.

A carbon electrode can also be used as a nonconsumable in the basic welding circuit to develop arc heat and permit welding. Carbon-arc welding, however, has disadvantages and is no longer an accepted industrial process. If the workpiece is eliminated from the circuit, however, and the leads from the power source are run to two carbon electrodes, the tips of which are close to each other, an arc can be established that has practical use in welding, brazing, soldering, and heating for other purposes. Figure 4-30 illustrates the arc torch that results.

Note that the torch has arrangements for adjusting the positions of the rods in the holder and has

thumb controls for moving the carbon tips in respect to each other to adjust arc length. The carbon rods are available in several diameters and with a copper coating to increase service life.

The arc torch is used in welding aluminum and copper alloys and in brazing and soldering. Since it can be held any distance above a workpiece, it is also useful for spot or area heating to enable the bending or straightening of metals or for heat-shrinking to remove distortion from a part or assembly.

Tungsten and carbon-arc torches are “open-arc” arc-heating processes. When the arc struck by a nonconsumable electrode is passed through a constricting orifice — such as a water-cooled copper orifice — a plasma jet results. While a conventional gas-tungsten arc is attracted to the nearest ground and is deflected by even low-strength magnetic fields, a plasma jet goes in the direction pointed and is less affected by magnetic fields. High current densities and power concentrations can be produced by arc constriction, and gas temperatures of 18,000°C and higher can be realized. A plasma-arc torch, thus, makes possible the melting of the most refractory materials and the welding of the higher melting-point metals.

Plasma-arc heating and welding is applicable to the more exotic manufacturing endeavors, but is only of passing interest to the steel fabrication industries. The AWS Welding Handbook, Sixth

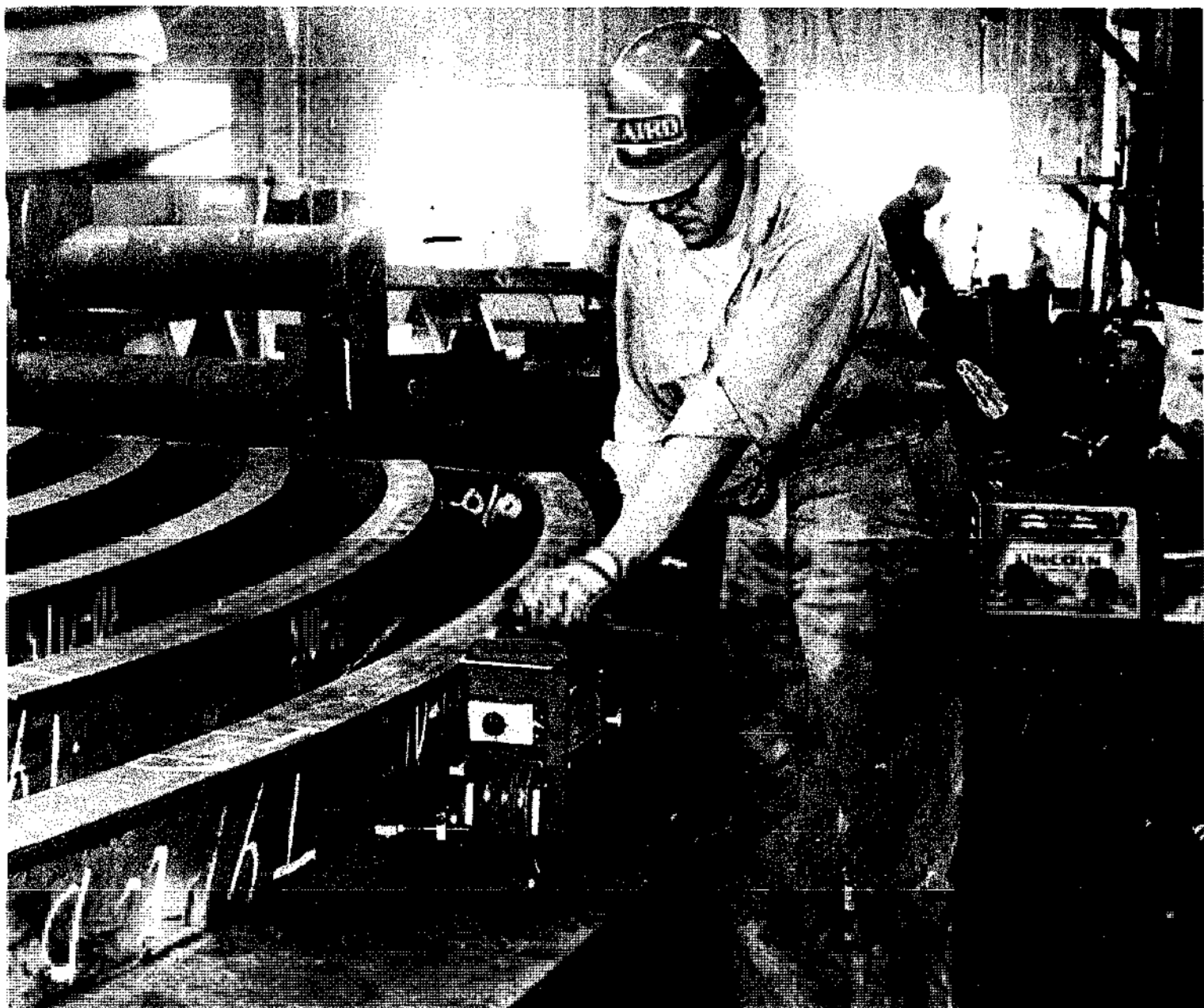
Edition, Section 3, Part B, is a source of information on plasma-arc heating and welding and the equipment and procedures involved.

**PROTECTIVE EQUIPMENT**

Arc-welding equipment also includes items worn by welding personnel to protect the face and eyes from the direct rays of the arc and the hands and body from burns. Such items include face shields,

head shields, welding lenses, goggles, aprons, and glasses. The requirements for such protective equipment are treated in Section 15.

Welding booths and screens around welding stations may also be looked upon as welding equipment. Such temporary or permanent structures are desirable to protect plant workers from the arc rays and spatter of molten metal and sparks. A ventilation system to remove smoke and fumes is also desirable and is provided by modern factory designs, whether or not welding operations are to be conducted.

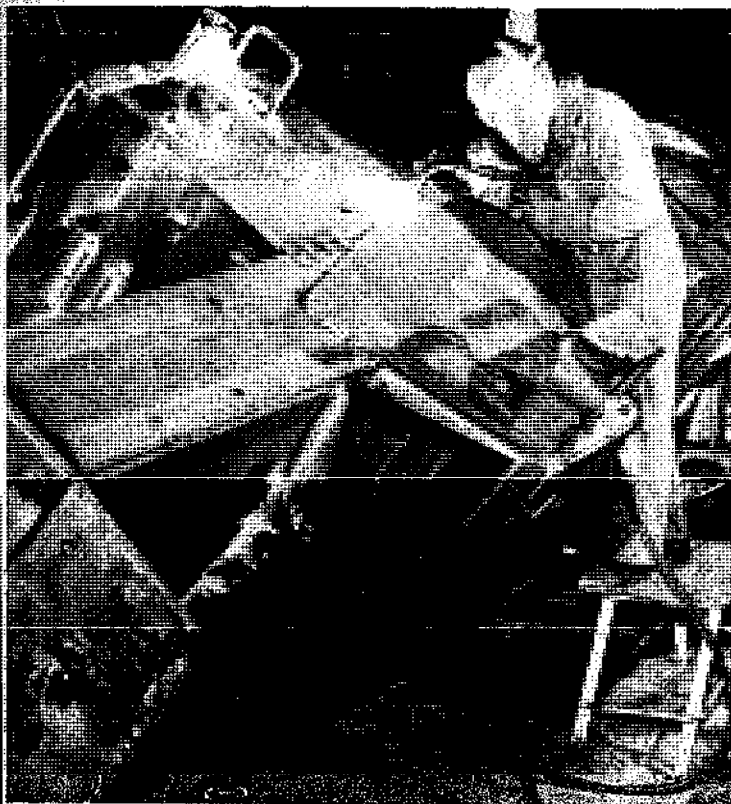


Mechanized semiautomatic submerged-arc equipment designed to weld curved seams.

## Fixtures and Manipulators

Once the production welding operations reach a stage of mechanization beyond that of the hand-held and manually manipulated semiautomatic gun, fixtures, manipulators, and weldment positioners become important items of welding equipment. In fact, even with the hand-held semiautomatic gun some device for rotating the weldment or mechanically positioning it may be essential for realizing the maximum potential of semiautomatic welding.

Thus, the trunnion-type fixture shown in Fig. 4-31 for positioning the weldment so that welding can be downhand with the semiautomatic self-shielded flux-cored arc process is a vital feature of the portrayed welding station. Similarly, in Fig. 4-32, the equipment that rotates cylindrical tanks under the semiautomatic welding gun is important to the total scheme of "almost fully mechanized" welding. In this case, also, a fixture is provided for "resting" the weldor's hand, so — without tension or



**Fig. 4-31.** The trunnion-type fixture used at this station to position the weldment for flat welding under the semiautomatic welding gun gives an approach to full mechanization.



**Fig. 4-32.** The fixturing equipment being used with the semiautomatic welding gun here in the welding of a head to a cylinder for a storage tank takes the work even a step further than the fixture in Fig. 4-31 toward full mechanization. A roller mechanism is being used to turn the cylinder under the gun, and the weldor's hand rests on a support so he can hold the gun precisely in reference to the centerline of the cylinder.

strain — he can hold the arc an inch or so back of the centerline of the cylinder, so that the molten weld metal solidifies before it begins its downward path.

These two figures illustrate the fact that there is a gradual transition from what is termed "semiautomatic" welding to fully mechanized welding, and that holding and positioning devices are elements in that transition.

When the full-automatic welding head is used, a fixturing device becomes a necessity. It may be nothing more than a support for holding the material to be welded while a self-propelled tractor carries the welding head over the joint, or it may be a complex mechanism, electrically or electronically controlled, and capable of such functions as "sens-

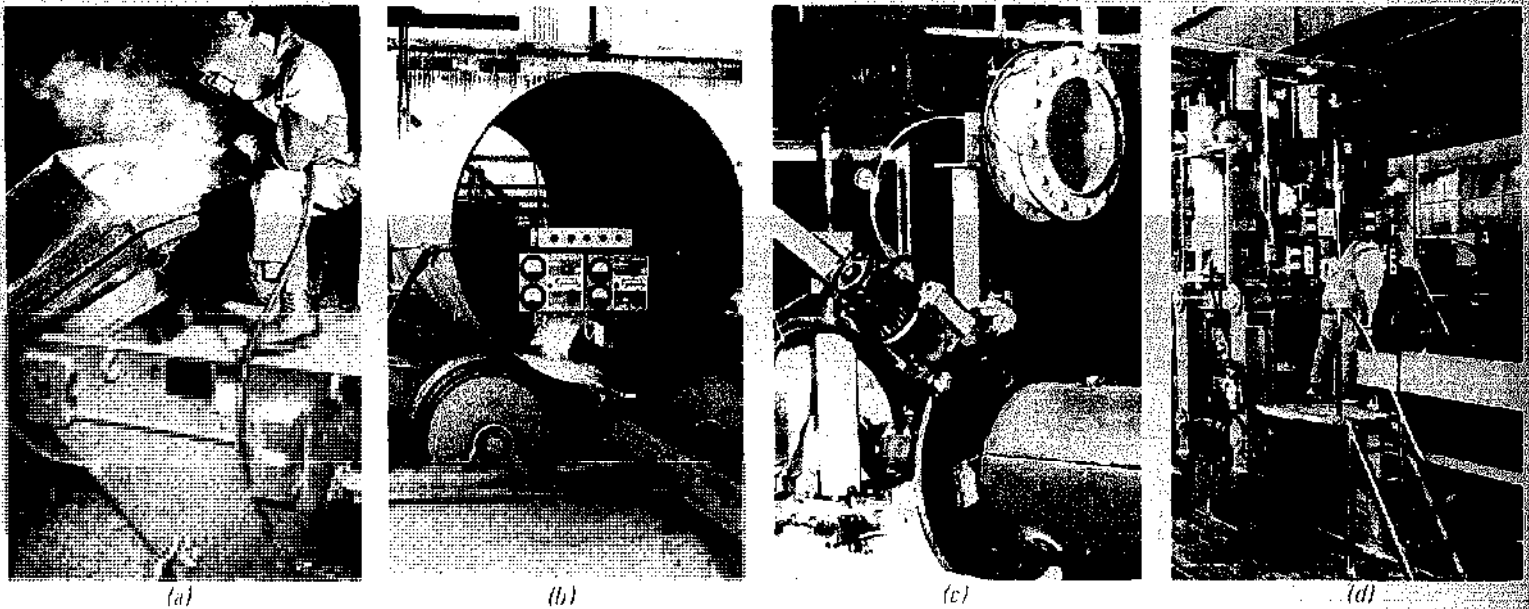


Fig. 4-33. Some typical work-moving welding fixtures are the (a) rotating positioner, (b) power turning rolls, (c) lathe, and (d) continuous mill.

ing” and self-correction. In some industries, such as the automotive, the weldment fixtures may cost many thousands of dollars.

### TYPES OF FIXTURES

The objective in fixturing is to take maximum advantage of mechanized welding’s ability to lower welding costs and increase productivity. The fixtures are usually devices that present the work or welding equipment in a position that assures maximum welding speed. Often these devices also systematize and control the flow of material to and from the welding

equipment.

Welding fixtures fall into two broad classifications — those that act on the parts being welded, and those that act on the welding equipment. The type of action may be supporting, clamping, grounding, imparting movement, to name only a few. As an example, a welding fixture for the work may clamp the parts together and support them so that the weld can be made in the flat position. This fixture may hold the work stationary — in which case the welding equipment moves (or is traveled) over it — or may be mechanized and move the work under the stationary welding equipment. Some typical work-



Fig. 4-34. These pictures illustrate four different types of welding equipment fixtures: (a) beam with carriage, (b) self-propelled tractor, (c) spud welder, and (d) boom-type manipulator with variable travel of both beam and column.



TABLE 4-39. WELDING EQUIPMENT FIXTURES

	BOOM MANIPULATORS	BOOM WITH CARRIAGE	SPUD WELDING	MILLS	TRACTORS
Work Fixtures Used with the Above	Rolls Positioners. (Material is usually pre-assembled)	Rolls. Clamps. Jigs. Positioners.	Centering Clamp with Rotating Head.	Pipe mill. Spiral mill. Forming mill. Generator frame.	Full Semi Usually no fixtures.
Typical Applications	Tanks (Large). Machine bases. Hardfacing. Structural Beams & Columns.	Tanks. Hardfacing. Box beams. Automotive parts. Hot-water tanks. Refrigerator housings. Light poles.	Spuds in hot-water tanks. Small diameters where piece is too large to rotate.	Pipes. Box sections. Generator frames. Storage racks. Tubing. Structural Beams (Small to Medium).	Structural beams (Medium to Large). Ship building. Inside seams of tank, etc. Any long welds.

moving types of fixtures are rotating positioners, power turning rolls, lathes, and mill-type setups, as illustrated in Fig. 4-33.

Fixtures that act on the welding equipment — some types are called welding manipulators — similarly may provide a stationary support only or both support and move (travel) the welding equipment. The welding equipment may be a welding head or a welding gun, or it may include all of the equipment in the welding circuit, including the power sources and even the flux-recovery unit.

The fixtures for holding the head stationary range from a simple arm and mounting bracket to the very complex installations common in continuous-mill welding. The types of fixtures that both support and travel the welding equipment include the boom-with-carriage, the self-propelled tractor, the spud welder, and a variety of boom-type welding manipulators (Fig. 4-34). Variations in the boom-type manipulators include column-stationary and boom-travel variable and both boom and column movable with variable travel. Table 4-39 charts some of the more frequently used work and welding-equipment fixtures and the weldments on which they are generally used.

Welding fixtures may also perform other functions that are not directly related to the actual welding operation. Thus, the fixturing may be an integral part of a conveyor system or may also position the work for a machining operation, such as drilling or grinding. Sometimes the designer even tries to

incorporate part-forming into the welding fixture system. This is not recommended, however, since experience has proved that divorcing the welding fixture from all forming operations leads to more trouble-free operation.

### CONSIDERATIONS IN FIXTURE SELECTION

Elaborate welding equipment or work fixturing usually requires tremendous production volume of a

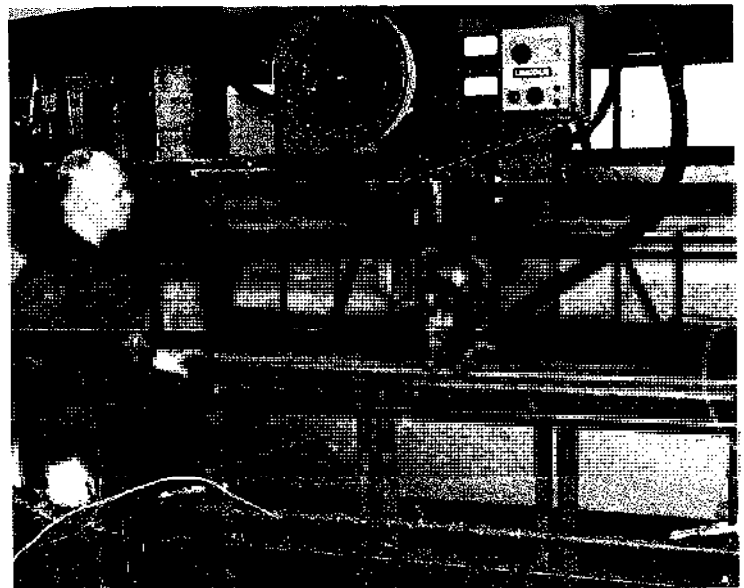
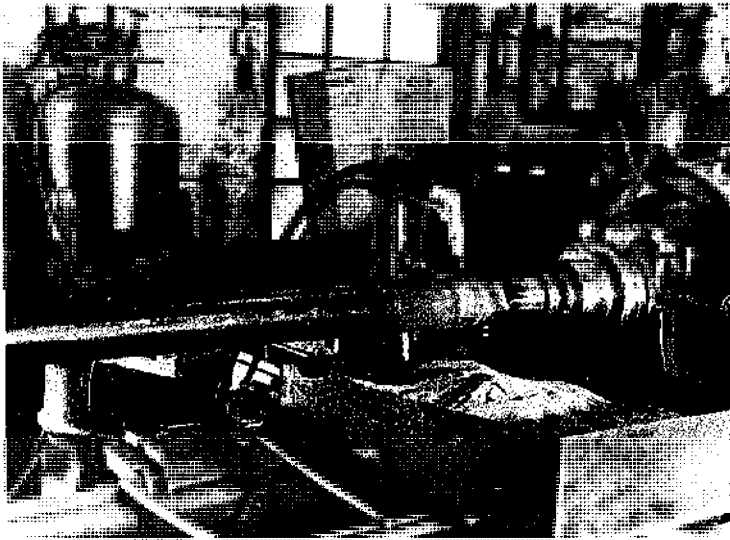


Fig. 4-35. The welding fixture here combines a work-holding device and a beam-with-carriage support for the welding head. The elevator doors being fabricated are held in perfect alignment as a submerged-arc butt weld is made at 150 inches per minute.



**Fig. 4-36.** Making a circumferential weld with the welding head stationary and the work moving. Here the submerged-arc head is supported by a simple pedestal arrangement.

single or reasonably similar parts. If part volume does not exist, the next thing to consider is substantial footage of welding that lends itself to mechanization. In this case, fixture adaptability, simplicity, and cost often are the important fixture-selection factors. This may mean combining a variety of work-supporting or holding devices with a simple beam-with-carriage fixture, as in Fig. 4-35. Even a small self-propelled tractor — if it can be classified as a welding fixture — mounting a semi-automatic welding gun may produce the best answer for a given job, since it features fixturing simplicity and represents a nominal equipment investment.

Joint geometry also plays an important role in the selection of a welding fixture. For example, circumferential welds are made with the welding

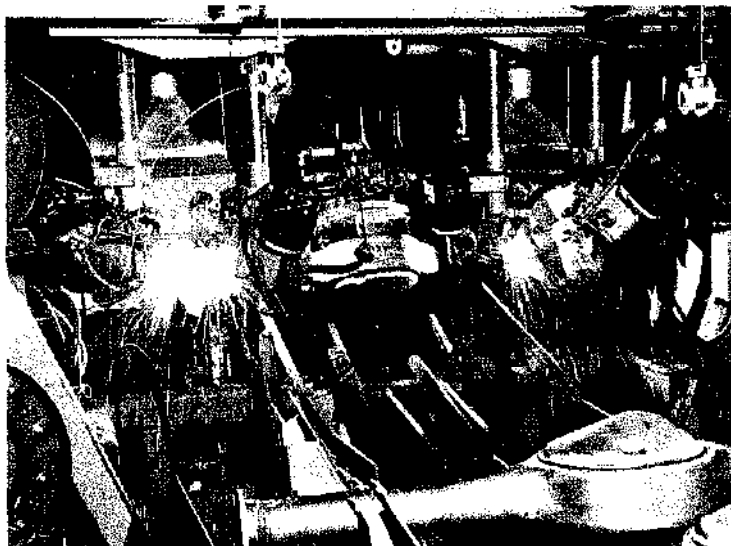
head stationary and the work moving (Fig. 4-36). Welds in a straight line usually require a fixture that travels the head along the joint with a stationary work fixture providing clamping to maintain part alignment and fitup.

### Welding Head Stationary

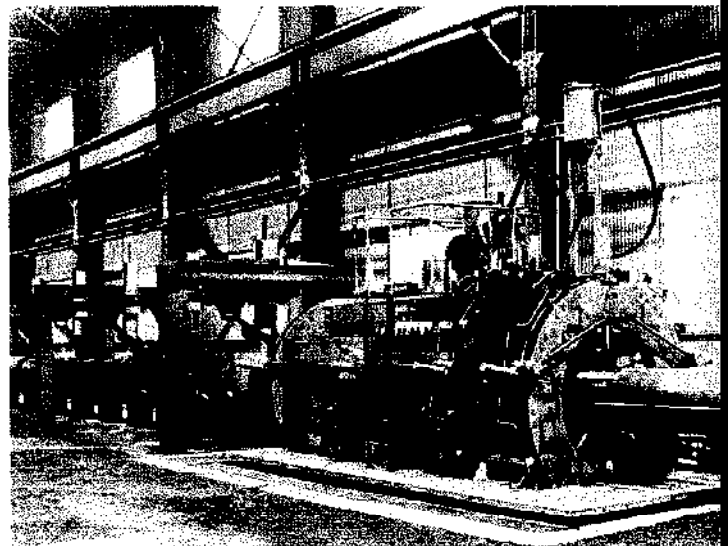
A stationary welding head calls for work movement and invariably leads to more complex work fixturing. In fact, the work fixturing for a stationary head can be the ultimate in automation (Fig. 4-37). Some fixtures have been designed to have the weight of the workpiece dropping into the fixture activate its positioning and clamping and initiate the welding cycle, thus, even eliminating the simple act of the welding operator pushing a start button.

Sometimes the head mounting of head-stationary fixturing will allow movement up and down or to one side to allow passage of the workpiece into and out of the fixture. It can also permit adjustment of the head position as welding progresses. This is still considered a head-stationary fixture, since welding speed is controlled by the movement of the work under the head.

Although a stationary welding head fixture is often considered the simplest type of fixturing, when it is incorporated as part of a continuous mill welder it becomes part of one of the most complex welding fixtures (Fig. 4-38). In a mill welding fixture, the work is continuously fed under the stationary welding head, usually at high speeds. Often, the work is formed just ahead of the welding fixture and machined immediately after welding. Naturally, this complicates the basic work-fixturing operations of



**Fig. 4-37.** The work fixturing for a stationary head can be the ultimate in automation, as this fixture for welding spring pads on axle housings in an automotive plant



**Fig. 4-38.** The welding head is stationary in this mill-type fixture for pipe welding. The pipe is formed from plate; then continuously fed into the mill and welded as it passes under the head.

supporting, clamping, grounding, and part movement.

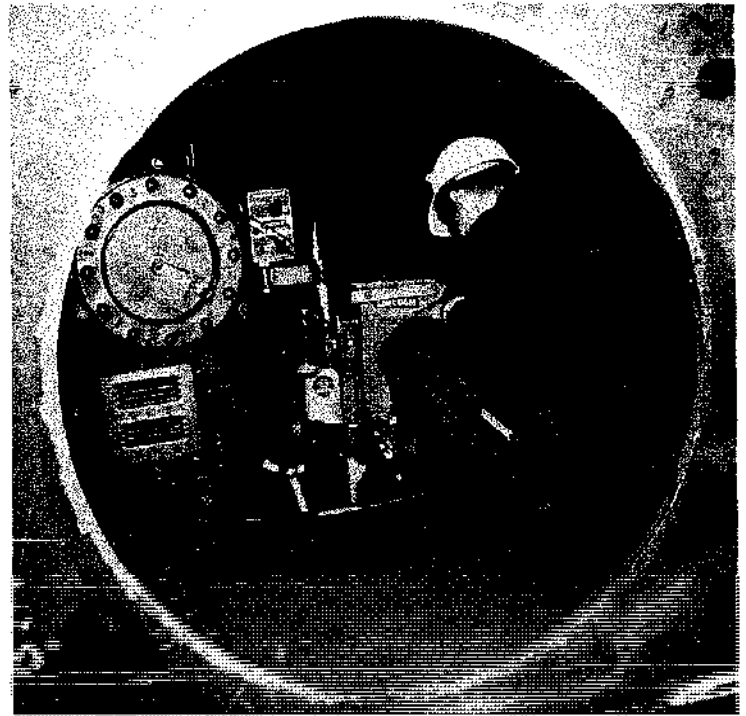
The expanding use of multiarc welding — where three, four, and even six welding heads are installed on the same welding fixture — is increasing the number of head-stationary welding installations. The sheer weight and bulk of the welding equipment needed for these multihead installations tends to become excessive for a standard beam-with-carriage fixture or boom-type welding manipulator. The stationary head also eliminates the problem of finding ways to travel the control system, power sources, flux supply and recovery system, consumable electrode, and welding cables that must be solved with head-movable welding.

#### Welding Head Movable

With head-moving welding fixtures, the work remains stationary, and the welding head travels along the joint. Head movement may result from the travel of a carriage on a beam or rail, from a traveling boom mounted on a stationary column, from the travel of the entire manipulator riding on a track in the floor (Fig. 4-39), or from the travel of a tractor riding the surface of the workpiece (Fig. 4-40).

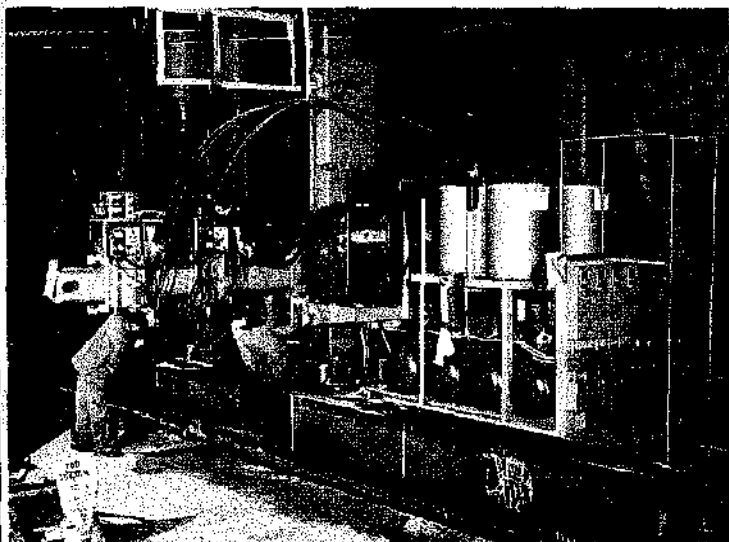
The beam-with-carriage-type welding equipment fixture usually offers head travel in straight lines that run parallel to and on one side of the support for the beam (Fig. 4-41). The length of the weld that can be made without stopping is limited by the length of the beam.

A boom-type welding manipulator equipped for both boom and column travel can swing the welding

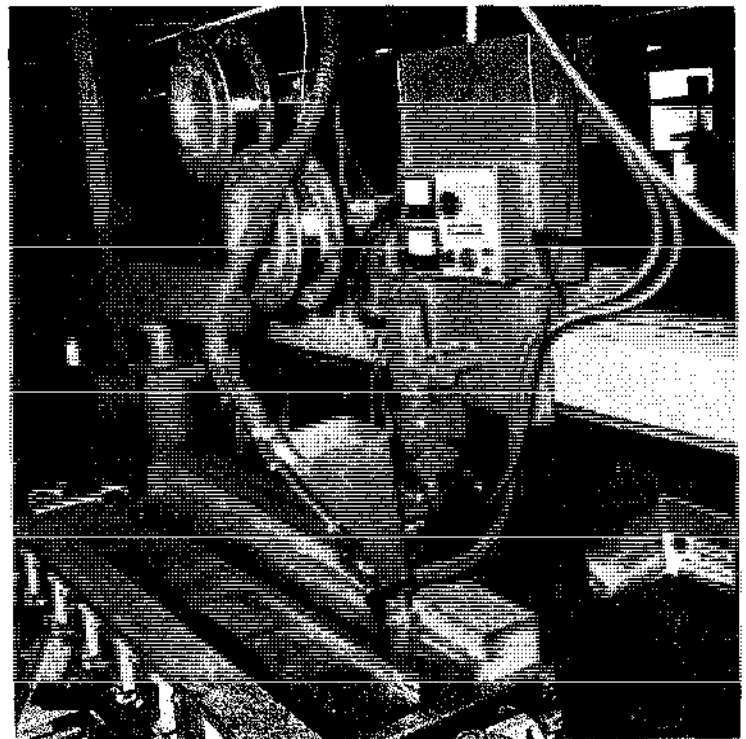


**Fig. 4-40.** This self-propelled tractor riding on the workpiece simplifies fixturing. In this case both the welding equipment and workpiece are traveling, but in opposite directions to keep the weld puddle in the flat position. Note the spirit level to maintain this position.

head through a 360° arc. It is capable of welding in a straight line in any direction away from the column to a distance somewhat less than the length of the boom and can service welding stations located



**Fig. 4-39.** This boom-type welding manipulator travels everything along the joint being welded — equipment, flux, flux recovery system, wire-electrode, power sources, and controls.



**Fig. 4-41.** The beam-with-carriage fixture usually offers head travel in straight lines parallel to the beam. The length of the weld that can be made without stopping is limited by the length of the beam.

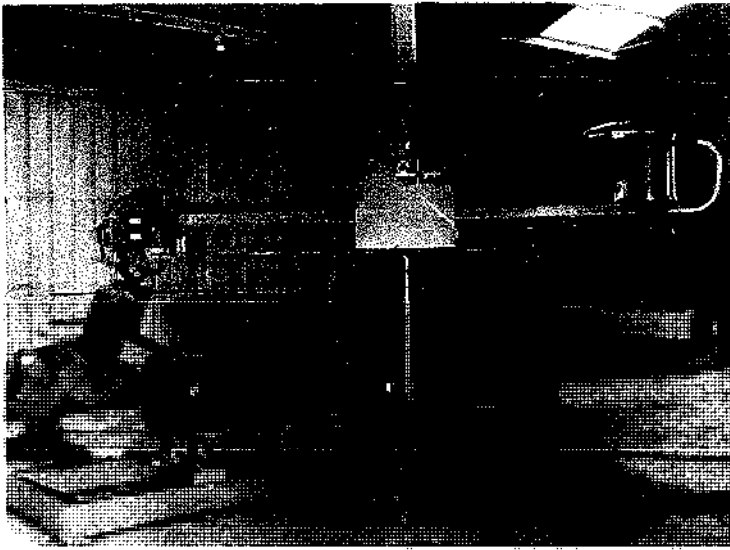


Fig. 4-42. A boom-type welding manipulator can service a number of welding stations. If the loading, unloading, and welding cycles are all properly sequence, the welding operating factor can be substantially increased.

anywhere within this area (Fig. 4-42). It duplicates the performance of a beam-with-carriage-type fixture when the boom is held stationary and the entire manipulator is traveled on the floor tracks. In addition, it can weld on either side of the column supporting the boom. Weld length is limited by the length of the tracks on which the manipulator carriage is traveling. Both the beam-with-carriage and the boom-type welding manipulator can serve as welding-head-stationary fixtures.

## FIXTURE DESIGN AND PERFORMANCE

The efficient performance of a work station equipped for mechanized welding requires that the work fixture be well integrated with the welding-equipment fixture. In addition, careful attention must be given to the finding answers for performance problems related to clamping, weld backup, workpiece grounding, weld-cycle timing, and arc blow.

### Clamping and Fitup

Although the work-mounting fixture should not be used to "form" the workpiece, it must achieve complete, uniform joint closure and proper alignment. When possible, the clamping system should also provide follow-up pressure to compensate for weld shrinkage as the bead is run the length of the joint. This means that a pneumatic, hydraulic, or spring-loaded clamping system is preferred over a solid clamping arrangement.

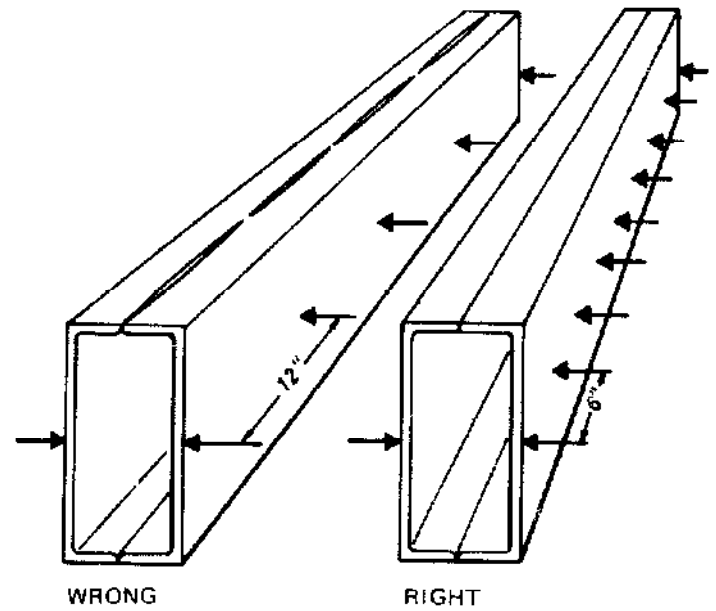


Fig. 4-43. When seam welding two formed sections, numerous pressure points are needed to keep the seam from opening and causing burnthrough as welding progresses.

A good clamping system has many small clamps or pressure-application points rather than a few large clamps or points of pressure. Box beams, for example, are difficult to hold. They should be clamped at closely spaced intervals along their entire length; otherwise gaps will develop during welding, and that promotes burnthrough and causes distortion of the finished part. A 6 or 8-in. channel box section should be clamped every 6 inches. One-foot spacing will let the joint open up ahead of the arc as welding progresses, as illustrated in Fig. 4-43.

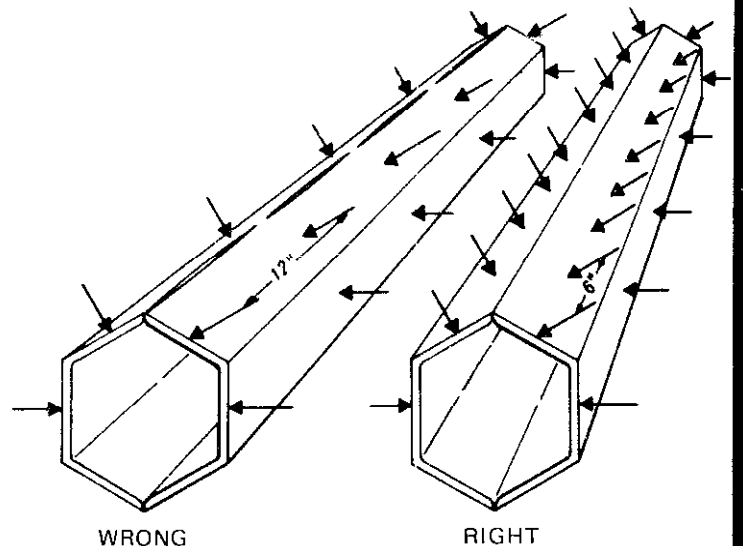


Fig. 4-44. Such a hexagonal box section not only requires clamping in two directions, but also at fairly short intervals to prevent gapping as welding progresses.

A corner weld in a box section is particularly sensitive to gapping. Heat in the edge causes it to expand outward, as illustrated in Fig. 4-44. Usually no backup is feasible for this type of joint, and, unless a constant-pressure clamping system is used, the gap will open and cause burnthrough as well as distortion.

Cylindrical sections likewise tend to open at the seam. The material, if improperly clamped, will lift off the backup bar (Fig. 4-45), causing holes that can be mistaken for porosity. To offset this possibility, the cylinder should be compressed so it is slightly oval-shaped during welding. Sometimes the edges of the tank are preshaped before welding to give the same effect.

loosening a bolt requires appreciable time. In addition, a modified "follow-up" pressure can be attained while welding is in progress. A tap of a hammer on a wedge can take up slack created by weld shrinkage.

### Weld Backup

With some joints, a copper backup strip is needed to achieve high welding speed and good weld quality. The purpose of the backup is to support the molten weld metal during solidification and prevent burnthrough. Copper is used because of its high heat conductivity. This characteristic prevents the weld metal from fusing to the backup strip. Where it is desirable to reinforce the underside of the weld, the backup strip may be grooved to the desired shape of the reinforcement, as illustrated in Fig. 4-45(b).

The backup strip must have enough mass to prevent it from being heated to its melting point beneath the arc and, thus, contaminating the underside of the weld with copper. Sometimes water is passed through the interior of the backup bar to keep it cool. This method of removing heat from the backup bar is usually used for jobs where the production rate is high.

A water-cooled backup bar is easily made by soldering or brazing copper tubing into milled slots in the back of the bar (Fig. 4-45 (b)). A word of caution is necessary concerning the use of a water-cooled backup bar. It is possible to let the backup bar get "too cool." A "too cool" bar will collect condensation on its surface before or even between welds and cause porosity in the weld. The experienced operator will begin welding before turning on the cooling water for the backup bar. He also shuts the water off if the welding operation is interrupted for an extended period of time. It might also be pointed out that the cooling water need not be cold. In fact, warm water will keep a copper backup bar cool, as compared to its melting temperature.

Occasionally, the job may call for a moving backup, such as a sliding shoe or a roll. For example, a mill welder for manufacturing pipe usually uses a spring-loaded copper shoe that is anchored inside the pipe immediately below the arc by an arm extending through the semiclosed crack just ahead of the welding arc. Sliding copper shoes are also used for long beams, and copper rolls on roundabouts.

When welding small diameters, a copper backup roll, positioned inside a pipe or cylindrical tank while welding the circumferential seams, should have a diameter slightly less than the inside diameter

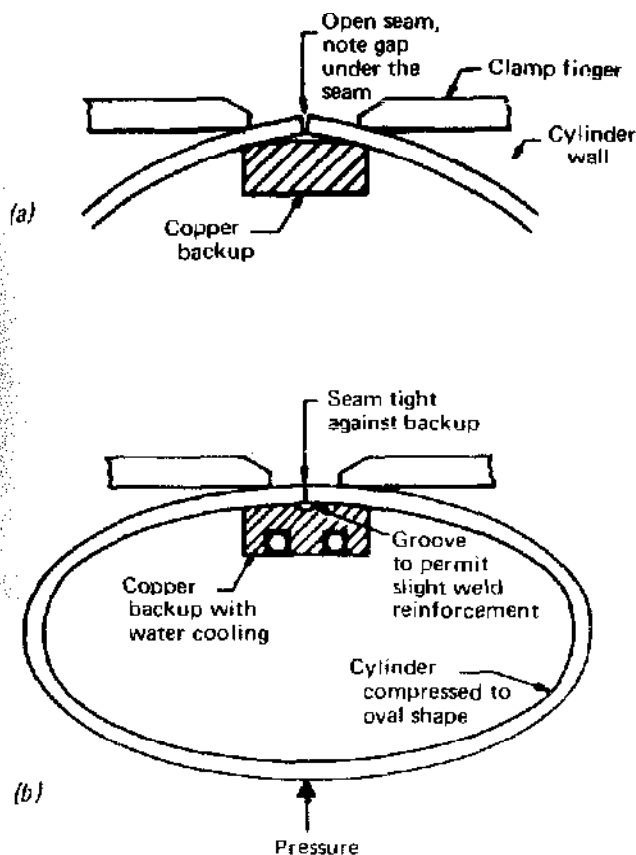


Fig. 4-45. Cylindrical sections tend to open over the copper backup bar (a). Compressing the work so it is slightly oval (b) offsets this tendency. The backup bar (b) has been grooved to establish weld reinforcement inside, and copper tubes are used to permit water cooling.

If solid clamping is used in lieu of a pneumatic, hydraulic, or spring-loaded mechanical system, consideration should be given to the method for exerting pressure. Much time can often be saved by using wedges where applicable in place of bolts or threaded clamps. A wedge can be quickly hammered into or out of position, whereas tightening or

being welded. This will make the area of contact as long as possible. It must be small enough, however, to prevent the simultaneous shrinkage of the object being welded and expansion of the backup roll from freezing it into position. For large cylindrical assemblies, the roll diameter should permit the surface of the roll and inside surface of the weldment to be in contact long enough to allow weld metal solidification.

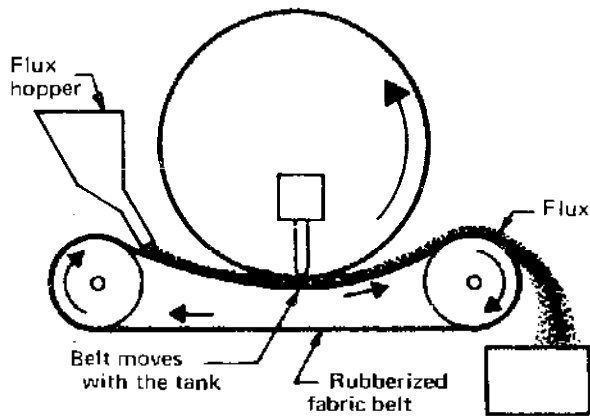


Fig. 4-46. A special adaptation of the principle of flux backup — a flux-fed system sometimes used when circumferentially welding tanks from the inside.

In general, a copper backup should be pressed tightly against the workpiece to promote maximum heat flow and give a uniform surface appearance to the completed weld.

Flux, under moderate pressure, is sometimes used as a backup material. Its function is the same as the copper backup — to support the molten weld metal until it solidifies. Usually, the loose granular flux rests in a trough on a thin piece of nonconducting material. This nonconducting material, in turn, usually sets on an inflatable rubberized canvas fire hose. The air pressure fed to the hose to develop moderate “flux pressure” on the underside of the weld is usually no more than 5 to 10 psi.

A special adaptation of the principle of flux backup is shown in Fig. 4-46. This “flux-fed belt” is sometimes used when making the inside circumferential weld on large tanks or other types of cylindrical weldments.

### Grounding the Workpiece

The method of grounding is an important consideration in fixture design, since it can affect arc action, the quality of the weld, and the speed at which it can be produced. The ground must make good contact with the workpiece through a copper clamp or through copper-graphite brushes or sliding



Fig. 4-47. C clamps attached to the work provide a good ground and help maintain the uniform voltage and current control needed for semiautomatic welding.

or rotating shoes. Aluminum is too soft, easily melted, and oxidizable to make a good grounding material for welding.

The grounding cable or cables should be neatly organized in reference to the work — not strung about haphazardly. A spring-actuated ground clamp, as used in hand welding, will not assure good contact and doesn't have the capacity needed for mechanized welding. Ground cables should be lugged and C-clamped or bolted to the work (Fig. 4-47).

When grounding is through a sliding shoe, two or more shoes should always be used. This will prevent interruptions of current in case one is lifted out of contact by an unexpected surface protrusion, such as the reinforcement of another weld, a piece of weld spatter, or granular flux.

Preloaded, tapered roller bearings are excellent for rotating grounds and give better performance than sliding brushes. To assure trouble-free performance, the contact area of the bearing should be sufficient to carry the current capacity of the welding cable used in the installation. Since most mechanized welding installations use two 4/0 cables in parallel, the tapered bearings must be fairly large.

A brief examination of the ground cables and connections of an operating welding installation will tell whether the grounding system is adequate and if the ground is making good contact. If the ground is making good contact. If the ground cables are uniformly hot their entire length, they are undersized and should be replaced. If the ground and the workpiece are hot near the point of contact, the contact is poor and should be corrected.

Poor ground contact can cause arcing and weld the ground to the workpiece. In addition, a voltage drop will occur across a poor ground, which reduces the voltage available to the arc. In extreme cases, the voltage drop across a poor ground can cause an unstable arc condition and impair weld quality.

### Preventing Arc Blow

Properly designed fully mechanized equipment avoids the problem of arc blow (see Section 3.2) by observing the following precautionary measures:

1. All steel other than that being welded should be at least one inch from the arc.
2. The clamping fingers for a "stake-type" fixture should be made from a nonmagnetic material.
3. The ground should be connected directly to the work, not to the backup bar. The point of connection should be as far from the arc as possible. The ground can be split to offset arc blow.
4. Embedding a copper bar in steel to increase the mass of the backup is not good practice, since this will bring a magnetic material too close to the arc.
5. With submerged-arc welding the direction of travel should be away from the ground; toward the ground with open-arc welding. If the weld path crosses over or runs near a large section of steel, it may be necessary to use an auxiliary ground.
6. When possible, the fixture should be built from low-carbon steel and large masses of steel should be normalized to minimize residual magnetism.
7. With horn-type fixtures, the welding should be toward the closed end.
8. The electrode angle should be adjusted to a position that tends to overcome arc blow.

Ingenuity in grounding is often required to eliminate arc blow. For example, long, narrow weldments are more susceptible to arc blow than wider

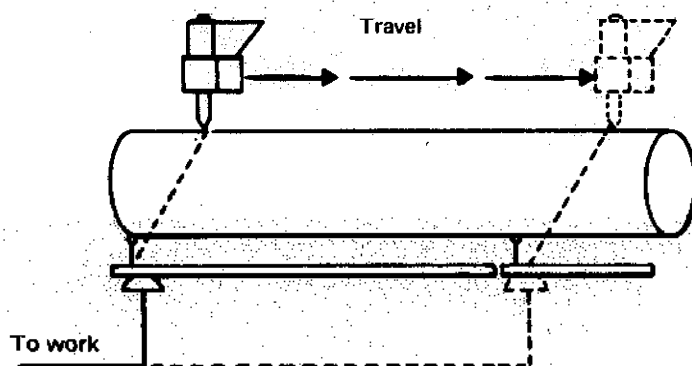


Fig. 4-48. An arrangement for eliminating end arc blow when seam welding hot-water tanks. The shoe slides with the head, switching to a forward position near the end of the weld.

assemblies. An arc-blow problem on these assemblies frequently appears in the form of porosity, which usually occurs at the finish end of the weld. If changing the position or method of grounding doesn't correct the problem, the porosity can usually be eliminated by placing a one-inch tack weld at the finish before welding the seam. Figure 4-48 shows a "last resort" remedy for eliminating end arc blow in the seam welding of hot water tanks; Fig. 4-49, a method of coping with arc blow when welding inside a tank.

### Arc Starting and Timing

Starting problems are usually caused by a lack of rigidity in either the head or work mounting, or backlash in the drive system. In most cases, rigidizing the system will take care of starting problems

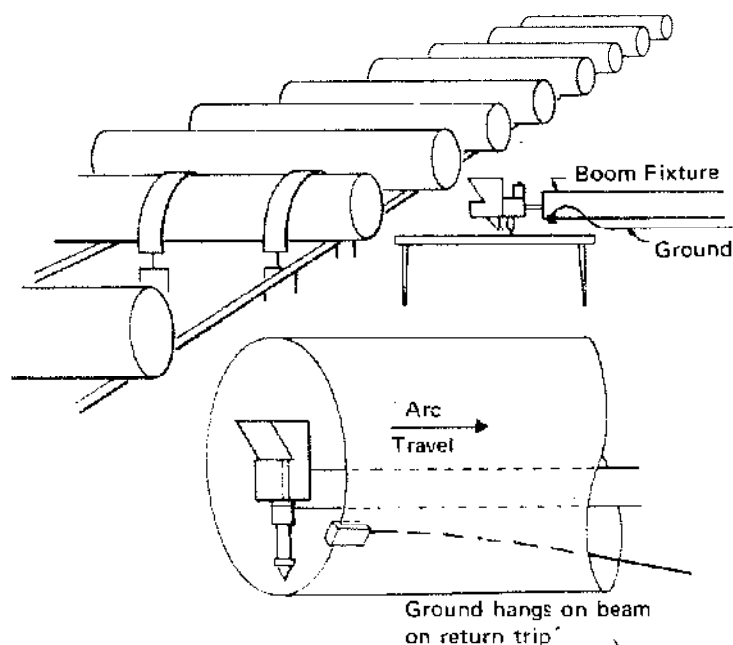
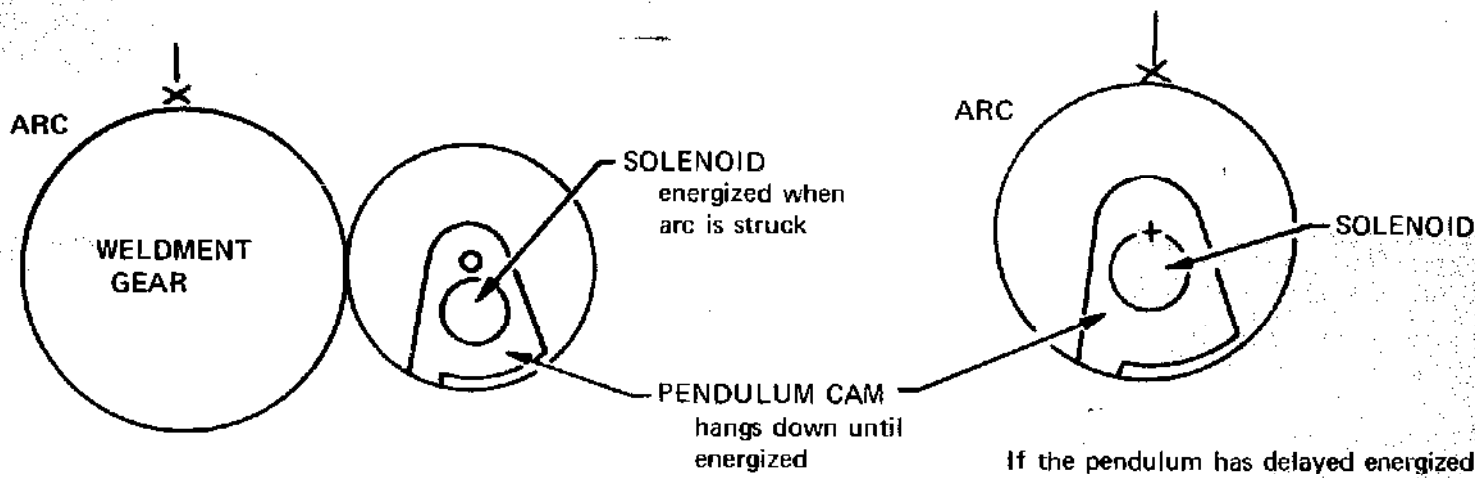
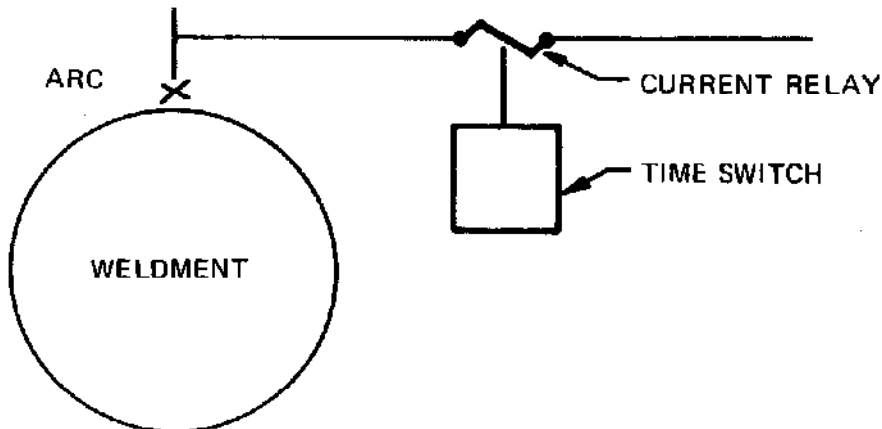


Fig. 4-49. Arc blow is a constant threat when a longitudinal weld is made inside a small tank with a boom fixture. Running the ground cable inside the tank and making the ground connection at the start end is one way to control the problem.



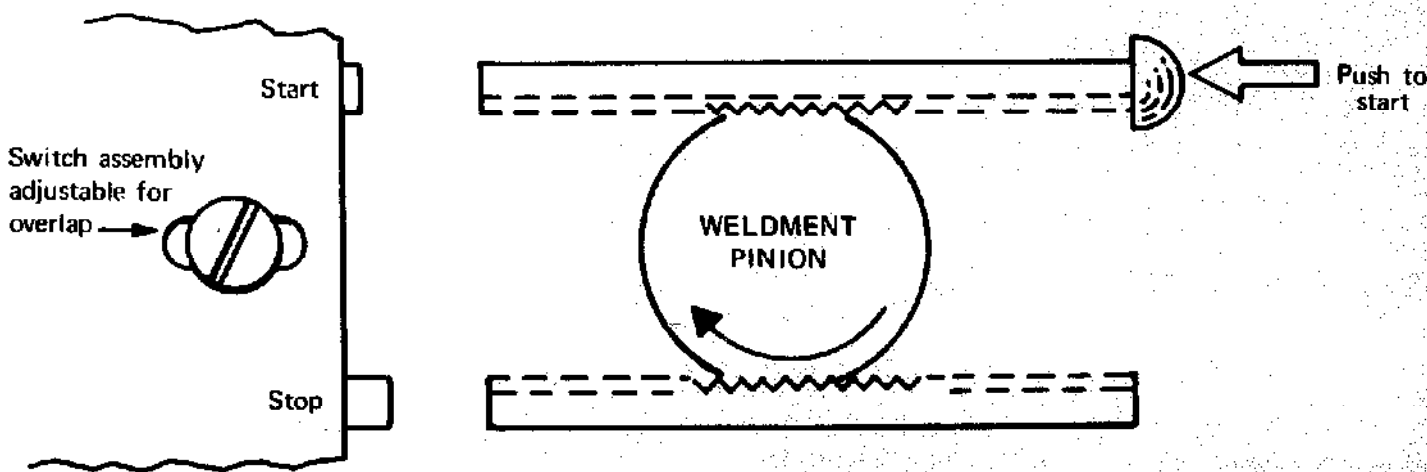
**Pendulum-Cam Type**

A pendulum cam hangs from the center of a second gear. When the arc is started, a solenoid locks the cam to a face plate and the whole cam assembly rotates around the shaft, which in turn operates the limit switches. The work is rotating when the arc is struck.



**Time-Switch Type**

No second gear is required with this type of timer, and the weld can start at any point. The work is rotating prior to striking it with the electrode. This system has advantages where striking with a hot electrode is desired, but requires a close setting of the time switch to match the time of arc revolution plus overlap.



**Rack-and-Pinion Type**

This is the simplest of the three types. Overlap is simply adjusted, and various diameters can be welded with the least amount of setup time. The starting point can be fixed or initiated by the striking of the arc.

Fig. 4-50. Three types of synchronous timers for circular weldments. Electric timers are used more frequently than mechanized timers.



when "hot starting." Poor arc starting can also be caused by an electrode diameter too large for the current being used, or an incorrect electrode drag angle causing improper contact between the work and electrode. Only in the rare case is there need to resort to high frequency to cure starting problems.

Electric timers are preferred to cams for sequencing action during the welding cycle. A timer can be adjusted easily, whereas a cam must be removed and reshaped. Cams can magnify a backlash problem in gearing that might be tolerated with electric timing. Timers also have the additional advantage of simpler sequencing, permitting any variation of pattern in skip welding.

A timer should have a range of at least 150% of the time required to make the weld. The extra range will allow the use of slower welding speeds if necessary. When multiple heads are used, each should be synchronized with travel through its own timer, otherwise variations in arc striking could result in one weld being incomplete at the end of the cycle. The time-switch, pendulum-cam, and rack-and-pinion types of timers for circular weldments are shown in Fig. 4-50.

### **Mechanical Considerations**

Good fixture design must take into account various mechanical factors that can affect the quality of the weld and operating efficiency.

In any stationary-head fixturing, it is exceedingly important that the head mounting be rigid, since a small movement of the mounting will be magnified at the arc. Any head-positioning adjustments must retain rigidity. A fixture design should always include provisions for head mounting in the original plan, rather than "hanging the head on" after the basic fixturing has been built.

Boom and beam-with-carriage fixtures are built as commercial items, and their manufacturers incorporate the necessary rigidity and stability into them. If the fabricator builds his own equipment, he must make sure that it is designed to minimize deflection. The weight of the welding head at the end of a 12-ft boom requires an exceptionally rigid assembly.

A fixture should be designed so that the welding head is easily accessible to the operator for making procedure adjustments and servicing when necessary. The same applies to the positioning of welding controls. If an operator must climb a ladder to make a change in current settings, welding productivity will suffer. When installed, the equipment should be positioned for easy access on all sides.

Whenever the fixturing must be aligned before or during welding, there should be provision for easy adjustment. Frequently a fixed position is not the optimum, and the ability to make a 1/4-in. adjustment will make the difference between a perfectly functioning machine and one that is performing poorly.

The drive system should be as free as possible from backlash and be designed to minimize acceleration time. V-belt drives should not be used in the final stages of the fixture. There is a time lag as the side of the belt in tension is stretched to the point where it can pick up the load, and this may be accentuated by slippage on the sheaves. Universal joints should be avoided, if possible, since they tend to become sloppy and develop backlash.

If backlash is unavoidable, preloading with a brush or some other method to create a drag in the proper direction may correct the situation. Soft rubber may be used on idler rolls to allow the embedment of seams, but never should be used on drive rolls. Backlash is also minimized by using large-diameter gears in the final stages of the drive system. Table 4-40 lists the types of fixture drive controls commonly used.

In fixturing for submerged-arc welding, due consideration must be given to the methods for handling flux. Most fluxes have an angle of repose of

**TABLE 4-40. TYPES OF FIXTURE DRIVE CONTROLS**

#### **Mag-Amp Control**

This control permits a wide range of speed. The system can use solid-state components to achieve trouble-free performance. Through the use of feedback windings, small currents are used to control large outputs.

#### **SCR (Silicon Controlled Rectifier)**

The SCR control circuit is small, efficient, and reliable. Very useful for AC circuit control, operates on a small control signal and acts as a switch for gate mechanism.

#### **Variable Auto Transformer**

This control gives a wide range of speed from one dial, usually from zero to 100%. Instability may exist if the speed is less than 10% of maximum speed. Since it is a transformer, it requires AC input and is subject to line fluctuation.

#### **Shunt Motor (DC, with Field Control)**

The control gives steady speed, but the speed range is less than 2 to 1. It usually requires the changing of gears to develop an adequate range of speeds in many welding applications.

#### **Variable-Voltage Generator Control**

Very steady speeds and a wide speed range are obtained with this drive. A drawback is the added cost of an extra generator.

#### **Air Cylinder with Hydraulic Control**

Provides very uniform travel speed. Should be used for short runs.

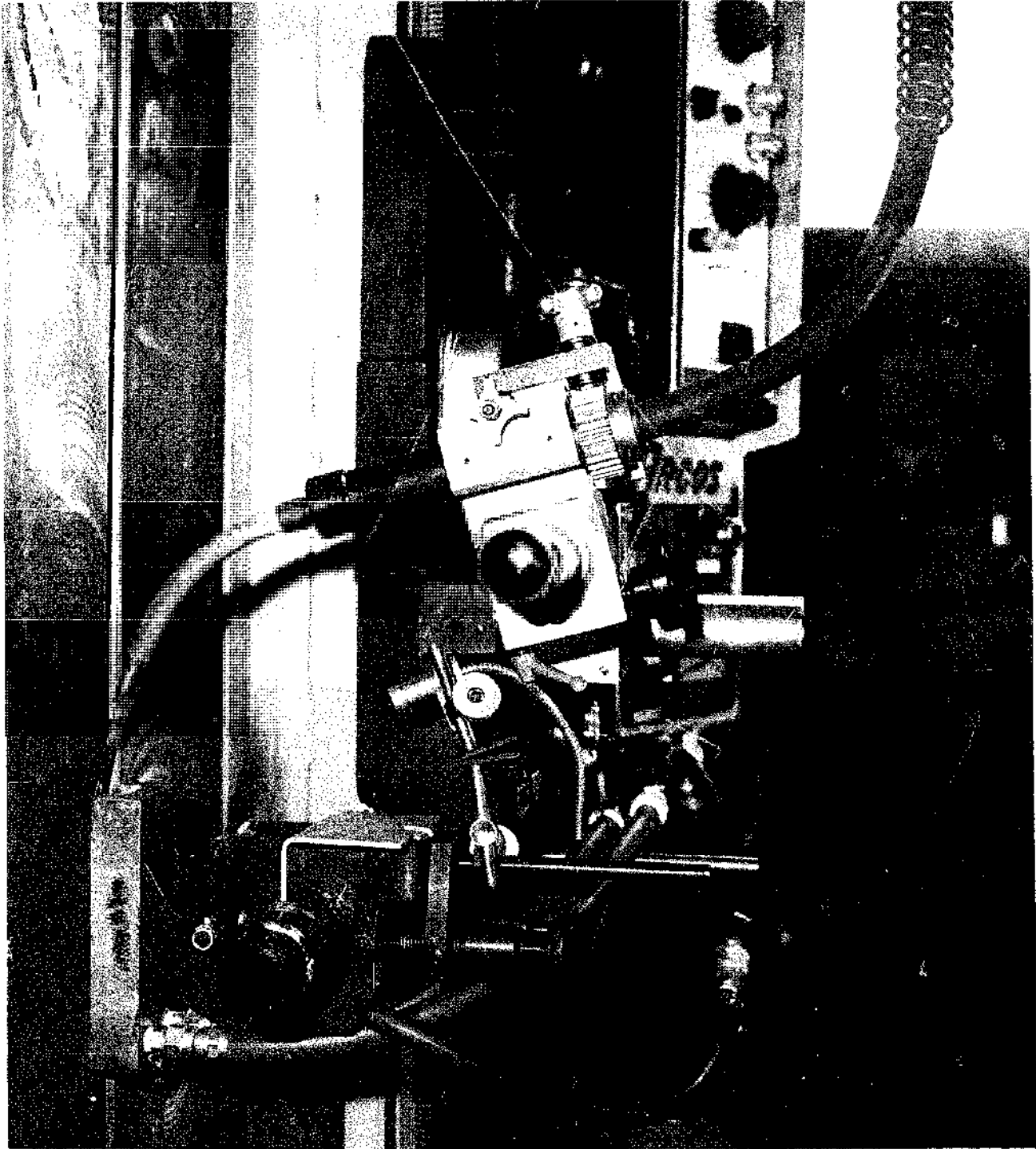
#### **Air-Motor Drive**

Air-powered equipment has shown merit on some applications. Speed can be controlled through air-pressure gages.

about  $45^{\circ}$ . This means that tubes or troughs carrying flux by gravity must have a drop in excess of this amount.

The best bead shape results when the flux system places just enough flux to give good coverage of the arc and weld. There should be little or no

relative movement between the flux and the plate. Thus, any enclosure around the arc to retain the flux must not cause the granules to slide over the plate. Poor bead shape and appearance can also be caused by conditions that confine and compact the flux.



Fixture used to automatically weld vertical seams with the self-shielded flux-cored electrode process. Note the water cooled movable copper shoe used to contain the molten flux and weld metal.

# Section 5

## WELDING PROCESSES

### SECTION 5.1

#### THE SHIELDED METAL-ARC PROCESS

Page

Principles of Operation	5.1-2
Power Source	5.1-3

### SECTION 5.2

#### THE SUBMERGED-ARC PROCESS

The Mechanics of Flux Shielding	5.2-1
Advantages of the Process	5.2-1
Applications and Economies	5.2-4

### SECTION 5.3

#### THE SELF-SHIELDED FLUX-CORED PROCESS

Effect of Electrode Construction on Deposition Rate	5.3-2
Advantages of the Process	5.3-2

### SECTION 5.4

#### THE GAS-SHIELDED ARC-WELDING PROCESSES

The Gas-Shielded Flux-Cored Process	5.4-1
Gas Metal-Arc Welding	5.4-2
Gas Tungsten-Arc Welding	5.4-4

### SECTION 5.5

#### SELECTING A WELDING PROCESS

The Four-Step Procedure	5.5-2
Analysis of Joint Requirements	5.5-2
Matching Joint Requirements with Processes	5.5-5
The Check List	5.5-5
Review of Application by Manufacturer's Representative	5.5-6
Systemizing the Systematic Approach	5.5-6

### SECTION 5.6

#### SPECIALIZED ARC-WELDING PROCESSES

Electroslag Welding	5.6-1
Electrogas Welding	5.6-2
Stud Arc Welding	5.6-2
Plasma Arc Welding	5.6-3
Atomic Hydrogen Welding	5.6-4
Other Adaptations	5.6-5

## The Shielded Metal-Arc Process

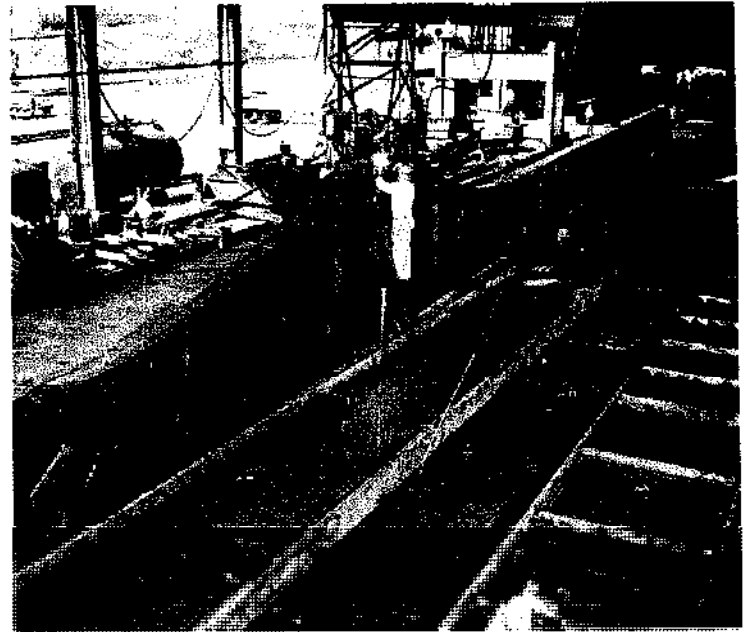
The shielded metal-arc process — commonly called “stick-electrode” welding or “manual” welding — is the most widely used of the various arc-welding processes. It is characterized by application versatility and flexibility and relative simplicity in the equipment. It is the process used by the small welding shop, by the home mechanic, by the farmer for repair of equipment — as well as a process having extensive application in industrial fabrication, structural steel erection, weldment manufacture, and other commercial metals joining. Arc welding to persons only casually acquainted with welding usually means shielded metal-arc welding.

With this process, an electric arc is struck between the electrically grounded work and a 9 to 18-in. length of covered metal rod — the electrode. The electrode is clamped in an electrode holder, which is joined by a cable to the power source. The weldor grips the insulated handle of the electrode holder (see Section 4.3) and maneuvers the tip of the electrode in respect to the weld joint. When he touches the tip of electrode against the work, and then withdraws it to establish the arc, the welding circuit is completed. The heat of the arc melts base metal in the immediate area, the electrode's metal core, and any metal particles that may be in the

electrode's covering. It also melts, vaporizes, or breaks down chemically nonmetallic substances incorporated in the covering for arc shielding, metal-protection, or metal-conditioning purposes. The mixing of molten base metal and filler metal from the electrode provides the coalescence required to effect joining.

As welding progresses, the covered rod becomes shorter and shorter. Finally, the welding must be stopped to remove the stub and replace it with a new electrode. This periodic changing of electrodes is one of the major disadvantages of the process in production welding. It decreases the operating factor, or the percent of the weldor's time spent in the actual operation of laying weld beads.

Another disadvantage of shielded metal-arc welding is the limitation placed on the current that can be used. High amperages, such as those used with semiautomatic guns or automatic welding heads, are impractical because of the long (and varying) length of electrode between the arc and the point of electrical contact in the jaws of the electrode holder. The welding current is limited by the resistance heating of the electrode. The electrode temperature must not exceed the “break down” temperature of the covering. If the temperature is



too high the covering chemicals react with each other or with air and therefore do not function properly at the arc. Coverings with organics break down at lower temperatures than mineral or low hydrogen type coverings.

The versatility of the process, however — plus the simplicity of equipment — are viewed by many users whose work would permit some degree of mechanized welding — as overriding its inherent disadvantages. This point of view was formerly well taken, but now that semiautomatic self-shielded flux-cored arc welding has been developed to a similar (or even superior) degree of versatility and flexibility in welding (see Section 5.3), there is less justification for adhering to stick-electrode welding in steel fabrication and erection wherever substantial amounts of weld metal must be placed. In fact, the replacement of shielded metal-arc welding with semiautomatic processes has been a primary means by which steel fabricators and erectors have met cost-price squeezes in their welding operations.

Notwithstanding the limitations of shielded metal-arc welding, it is certain to remain a primary arc-welding process. It is the one well suited by minimal cost of equipment and broad application possibilities for the home mechanic, the farmer, the repair shop, the garage, the trailer-hitch installer, and many others who are concerned entirely with getting a welding job done.

## PRINCIPLES OF OPERATION

Section 1.3 describes the basic welding circuit, and in Section 4.3 various items of equipment are described, which when introduced into the basic welding circuit create the shielded metal-arc process. As noted, welding begins when the arc is struck between the work and the tip of the electrode. The heat of the arc melts the electrode and the surface of the work near the arc. Tiny globules of molten metal form on the tip of the electrode and transfer through the arc into the molten weld “pool” or “puddle” on the work surface.

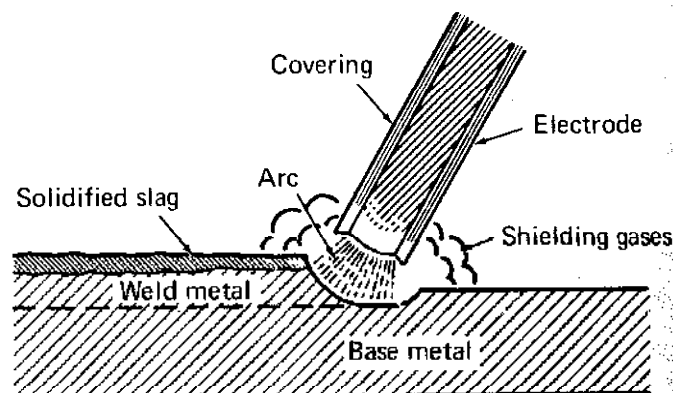
The transfer through the arc stream is brought about by electrical and magnetic forces. As discussed in Section 1.3, movement of the arc along the work (or movement of the work under the arc) accomplishes progressive melting and mixing of molten metal, followed by solidification, and, thus, the unification of parts.

It would be possible to clamp a bare mild-steel electrode into the electrode holder and fuse-join two steel parts. The resulting weld would lack ductility

and soundness if judged by the present standards of weld quality. The weld metal so deposited would contain oxides and nitrides resulting from reaction of the molten metal with oxygen and nitrogen of the atmosphere. An essential feature of the electrode used in the shielded metal-arc process is a covering or coating, applied to the core metal by extrusion or dipping, that contains ingredients to shield the arc and protect the hot metal from chemical reaction with constituents of the atmosphere.

The shielding ingredients have various functions. One is to shield the arc — provide a dense, impenetrable envelope of vapor or gas around the arc and the molten metal to prevent the pickup of oxygen and nitrogen and the chemical formation of oxides and nitrides in the weld puddle. Another is to provide scavengers and deoxidizers to refine the weld metal. A third is to produce a slag coating over molten globules of metal during their transfer through the arc stream and a slag blanket over the molten puddle and the newly solidified weld. Figure 5-1 illustrates the decomposition of an electrode covering and the manner in which the arc stream and weld metal are shielded from the air.

Another function of the shield is to provide the ionization needed for AC welding. With alternating current, the arc goes out 120 times a second. For it to be reignited each time it goes out, an electrically conductive path must be maintained in the arc stream. Potassium compounds in the electrode covering provide ionized gaseous particles that remain ionized during the fraction of a second that the arc is extinguished with AC cycle reversal. An



**Fig. 5-1.** Schematic representation of shielded metal-arc welding. Gases generated by the decomposition and vaporization of material in the electrode covering — including vaporized slag — provide a dense shield around the arc stream and over the molten puddle. Molten and solidified slag above the newly formed weld metal protects it from the atmosphere while it is hot enough to be chemically reactive with oxygen and nitrogen.



Much of the welding done in building construction is the shielded metal-arc process.

A solid wire core is the main source of filler metal in electrodes for the shielded metal-arc process. However, the so-called iron-powder electrodes also supply filler metal from iron powder contained in the electrode covering or within a tubular core wire. Iron powder in the covering increases the efficiency of use of the arc heat and thus the deposition rate. With thickly covered iron-powder electrodes, it is possible to drag the electrode over the joint without the electrode freezing to the work or shorting out. Even though the heavy covering makes contact with the work, the electrical path through the contained powder particles is not adequate in conductivity to short the arc, and any resistance heating that occurs supplements the heat of the arc in melting the electrode. Because heavily-covered iron-powder electrodes can be dragged along the joint, less skill is required in their use.

Some electrodes for the shielded metal-arc process are fabricated with a tubular wire that contains alloying materials in the core. These are used in producing high-alloy deposits. Just as the conventional electrodes, they have an extruded or dipped covering.

Electrical path for reignition of the arc is thus maintained.

The mechanics of arc shielding varies with the electrode type. Some types of electrodes depend largely on a "disappearing" gaseous shield to protect the arc stream and the weld metal. With these electrodes, only a light covering of slag will be found on the finished weld. Other electrode types depend largely on slag for shielding. The explanation for the protective action is that the tiny globules of metal being transferred in the arc stream are entirely coated with a thin film of molten slag. Presumably, the globules become coated with slag as vaporized slag condenses on them — so the protective action still arises from gasification. In any event, the slag deposits with these types of electrodes is heavy, completely covering the finished weld. Between these extremes are electrodes that depend on various combinations of gas and slag for shielding.

The performance characteristics of the electrode (see Section 4.1) are related to their slag-forming properties. Electrodes with heavy slag formation have high deposition rates and are suitable for making large welds downhand. Electrodes that develop a gaseous shield that disappears into the atmosphere and give a light slag covering are low-deposition and best suited for making welds in the vertical or overhead positions.

## POWER SOURCE

Shielded metal-arc welding requires relatively low currents (10 to 500 amp) and voltages (17 to



The stick-electrode process does an excellent job field welding pipe, sometimes under adverse conditions.

45), depending on the type and size electrode used. The current may be either AC or DC; thus, the power source may be either AC or DC or a combination AC/DC welder (see Section 4.2). For most work, a variable voltage power source is preferred, since it is difficult for the weldor to hold a constant arc length. With the variable voltage source and the machine set to give a steep volt-ampere curve, the voltage increases or decreases with variations in the arc length to maintain the current fairly constant. The equipment compensates for the inability of the operator to hold an exact arc length, and he is able to obtain a uniform deposition rate.

In some welding, however, it may be desirable for the weldor to have control over the deposition rate — such as when depositing root passes in joints with varying fitup or in out-of-position work. In these cases variable voltage performance with a flatter voltage-amperage curve is desirable, so that the weldor can decrease the deposition rate by increasing his arc length or increase it by shortening the arc length.

Figure 5-2 illustrates typical volt-ampere curves possible with a variable voltage power source. The change from one type of voltage-amperage curve to

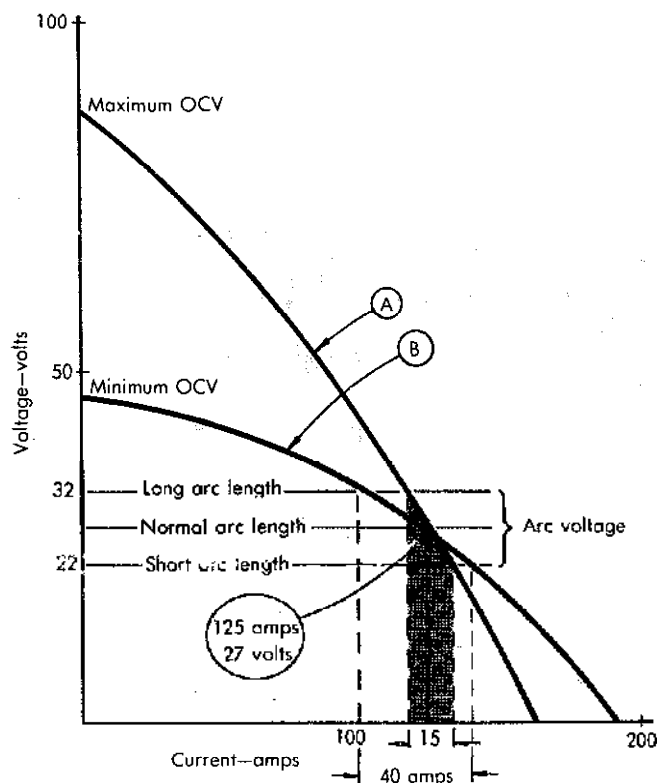


Fig. 5-2. Typical volt-ampere curves possible with a variable voltage power source. The steep curve (A) allows minimum current change. The flatter curve (B) permits the weldor to control current by changing the length of the arc.



Stick-electrode process is used to repair a worn conveyor screw.

another is made by changing the open-circuit voltage and current settings of the machine (see Sections 4.2 and 6.2).

The fact that the shielded metal-arc process can be used with so many electrode types and sizes — in all positions — on a great variety of materials — and with flexibility in operator control makes it the most versatile of all welding processes. These advantages are enhanced further by the low cost of equipment. The total advantages of the process, however, must be weighed against the cost of per foot of weld when a process is to be selected for a particular job. Shielded metal-arc welding is a well recognized way of getting the job done, but too faithful adherence to it often leads to getting the job done at excessive welding costs.

# The Submerged-Arc Process

Submerged-arc welding differs from other arc-welding processes in that a blanket of fusible, granular material -- commonly called flux -- is used for shielding the arc and the molten metal. The arc is struck between the workpiece and a bare wire electrode, the tip of which is submerged in the flux. Since the arc is completely covered by the flux, it is not visible and the weld is run without the flash, spatter, and sparks that characterize the open-arc processes. The nature of the flux is such that very little smoke or visible fumes are developed.

## THE MECHANICS OF FLUX SHIELDING

The process is either semiautomatic or full-automatic, with electrode fed mechanically to the welding gun, head, or heads. In semiautomatic welding, the weldor moves the gun, usually equipped with a flux-feeding device, along the joint. Flux feed may be by gravity flow through a nozzle concentric with the electrode from a small hopper atop the gun, or it may be through a concentric nozzle tube-connected to an air-pressurized flux tank. Flux may

also be applied in advance of the welding operation or ahead of the arc from a hopper run along the joint. In fully automatic submerged-arc welding, flux is fed continuously to the joint ahead of or concentric to the arc, and full-automatic installations are commonly equipped with vacuum systems to pick up the unfused flux left by the welding head or heads for cleaning and reuse. (See Sections 4.3 and 6.3 for descriptions of submerged-arc equipment.)

During welding, the heat of the arc melts some of the flux along with the tip of the electrode as illustrated in Fig. 5-3. The tip of the electrode and the welding zone are always surrounded and shielded by molten flux, surmounted by a layer of unfused flux. The electrode is held a short distance above the workpiece, and the arc is between the electrode and the workpiece. As the electrode progresses along the joint, the lighter molten flux rises above the molten metal in the form of a slag. The weld metal, having a higher melting (freezing) point, solidifies while the slag above it is still molten. The slag then freezes over the newly solidified weld metal, continuing to protect the metal from contamination while it is very hot and reactive with atmospheric oxygen and nitrogen. Upon cooling and removal of any unmelted flux for reuse, the slag is readily peeled from the weld.

There are two general types of submerged-arc fluxes, bonded and fused. In the bonded fluxes, the finely ground chemicals are mixed, treated with a bonding agent and manufactured into a granular aggregate. The deoxidizers are incorporated in the flux. The fused fluxes are a form of glass resulting from fusing the various chemicals and then grinding the glass to a granular form. Fluxes are available that add alloying elements to the weld metal, enabling alloy weld metal to be made with mild steel electrode.

## ADVANTAGES OF THE PROCESS

High currents can be used in submerged-arc welding and extremely high heat developed. Because the current is applied to the electrode a short distance above its tip, relatively high amperages can be

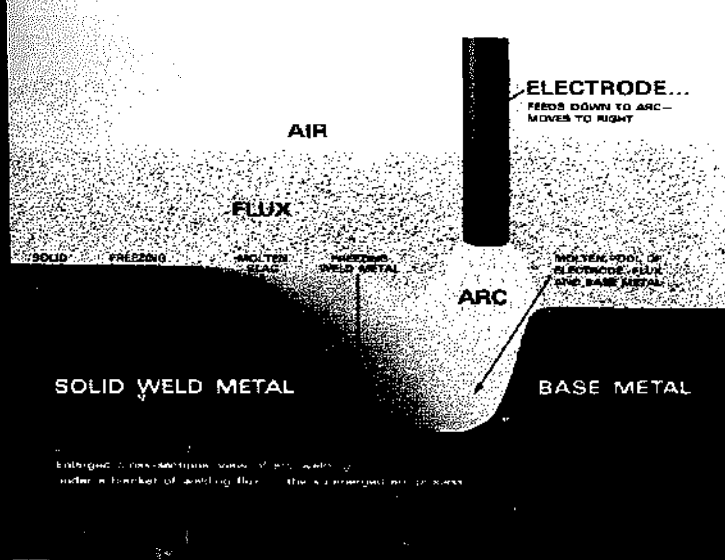


Fig. 5-3. The mechanics of the submerged-arc process. The arc and the molten weld metal are buried in the layer or flux, which protects the weld metal from contamination and concentrates the heat into the joint. The molten flux arises through the pool, deoxidizing and cleansing the molten metal, and forms a protective slag over the newly deposited weld.



used on small diameter electrodes. This results in extremely high current densities on relatively small cross sections of electrode. Currents as high as 600 amperes can be carried on electrodes as small as 5/64-in., giving a density in the order of 100,000 amperes per square inch — six to ten times that carried on stick electrodes.

Because of the high current density, the melt-off rate is much higher for a given electrode diameter than with stick-electrode welding (see Table 6-22). The melt-off rate is affected by the electrode material, the flux, type of current, polarity, and length of wire beyond the point of electrical contact in the gun or head.

The insulating blanket of flux above the arc prevents rapid escape of heat and concentrates it in the welding zone. Not only are the electrode and base metal melted rapidly, but the fusion is deep into the base metal. The deep penetration allows the use of small welding grooves, thus minimizing the amount of filler metal per foot of joint and permitting fast welding speeds. Fast welding, in turn, minimizes the total heat input into the assembly and, thus, tends to prevent problems of heat distortion. Even relatively thick joints can be welded in one pass by submerged-arc.

Welds made under the protective layer of flux have good ductility and impact resistance and uniformity in bead appearance. Mechanical properties at least equal to those of the base metal are consistently obtained. In single-pass welds, the fused base material is large compared to the amount of filler metal used. Thus, in such welds the base metal may



A submerged-arc semi-automatic gun used with a turntable to weld pipe flanges.



Submerged arc automatic welding installation custom fabricates a wide range of nonstandard beams for arc welded steel structures.

greatly influence the chemical and mechanical properties of the weld. For this reason, it is sometimes unnecessary to use electrodes of the same composition as the base metal for welding many of the low-alloy steels. The chemical composition and properties of multipass welds are less affected by the base metal and depend to a greater extent on the composition of the electrode, the activity of the flux, and the welding conditions.

Through regulation of current, voltage, and travel speed, the operator can exercise close control over penetration to provide any depth ranging from deep and narrow with high-crown reinforcement, to wide, nearly flat beads with shallow penetration. Beads with deep penetration may contain on the order of 70% melted base metal, while shallow beads may contain as little as 10% base metal. In some instances, the deep-penetration properties of submerged-arc can be used to eliminate or reduce the expense of edge preparation.

Multiple electrodes may be used, two side by side or two or more in tandem, to cover a large surface area or to increase welding speed. If shallow penetration is desired with multiple electrodes, one electrode can be grounded through the other (instead of through the workpiece) so that the arc does not penetrate deeply.

Deposition rates are high — up to ten times those of stick-electrode welding. Figure 5-4 shows approximate deposition rates for various submerged-arc arrangements, with comparable deposi-

# APPROXIMATE DEPOSITION RATE of SUBMERGED ARC PROCESSES on MILD STEEL

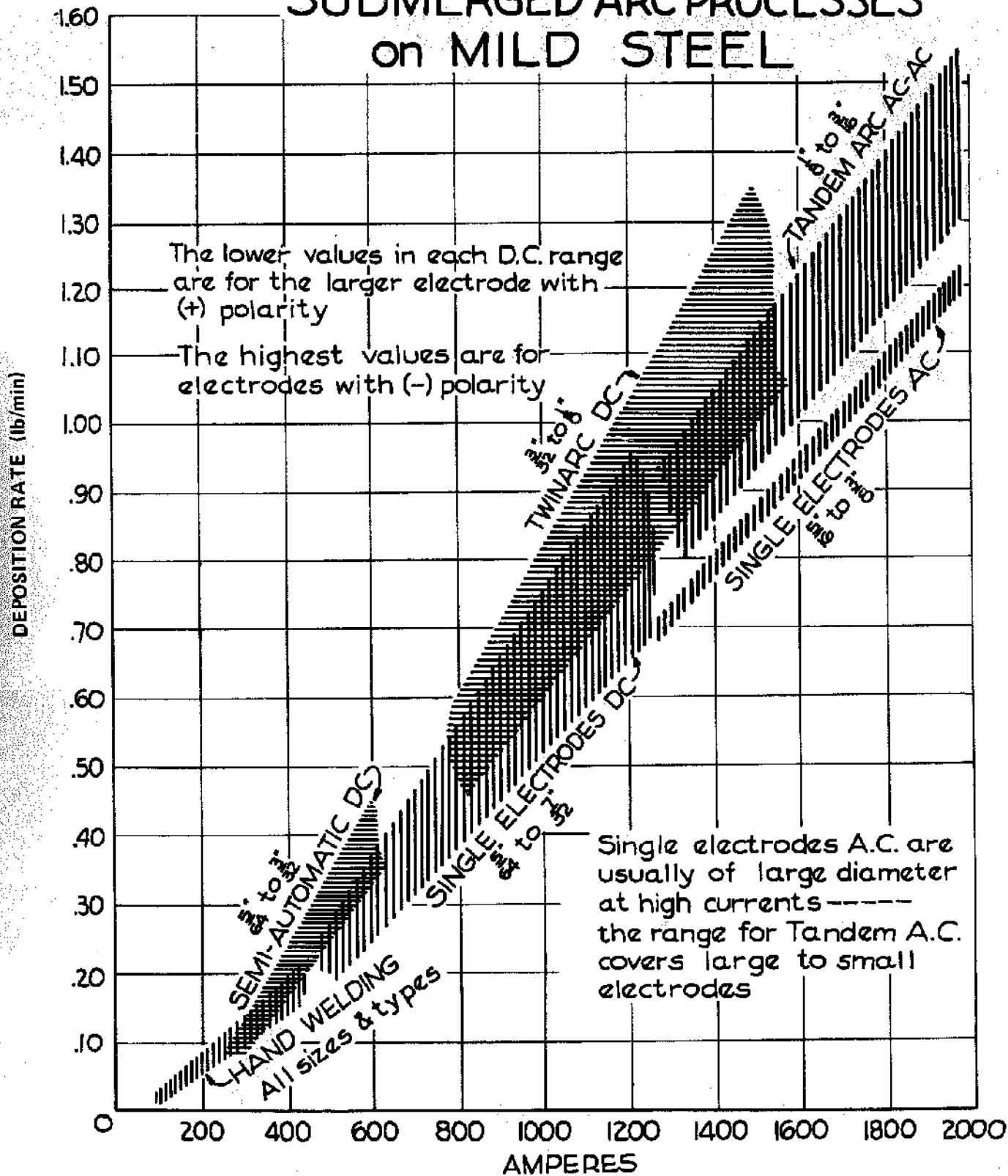
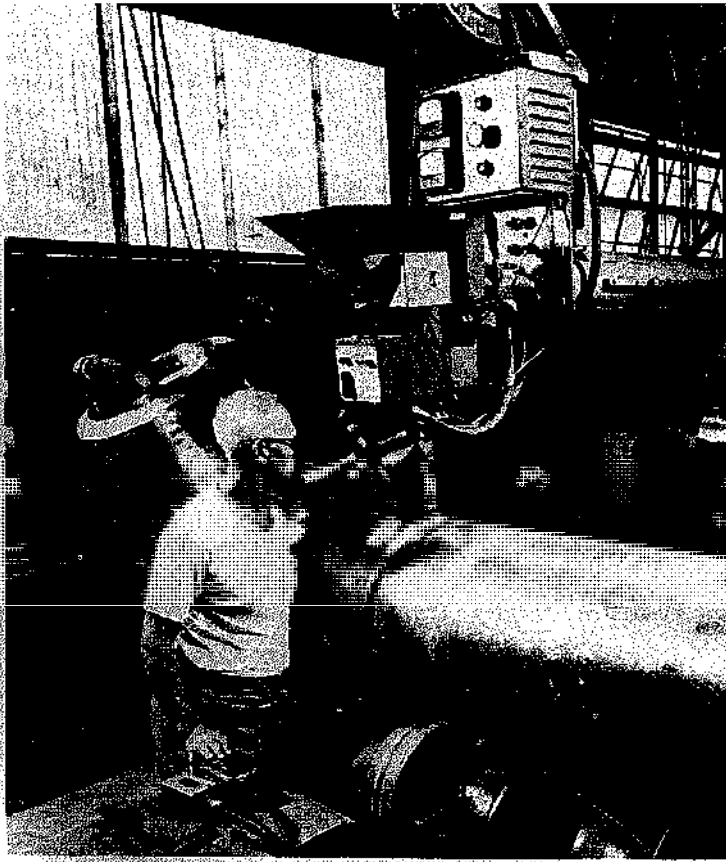


Fig. 5-4. Approximate deposition rates of various submerged-arc arrangements, compared with the deposition rates of stick-electrode welding.



The submerged-arc process joining an elbow to a length of high pressure pipe using fully automatic equipment.

tion rates for manual welding with covered electrodes.

Submerged-arc welding may be done with either DC or AC power. Direct current gives better control of bead shape, penetration, and welding speed, and arc starting is easier with it. Bead shape is usually best with DC reverse polarity (electrode positive), which also provides maximum penetration. Highest deposition rates and minimum penetration are obtained with DC straight polarity. Alternating current minimizes arc blow and gives penetration between that of DCRP and DCSP. (See Section 6.3.)

## APPLICATIONS AND ECONOMIES

With proper selection of equipment, submerged-arc is widely applicable to the welding requirements of industry. It can be used with all types of joints, and permits welding a full range of carbon and low-alloy steels, from 16-gage sheet to the thickest plate. It is also applicable to some high-alloy, heat-treated, and stainless steels, and is a favored process for rebuilding and hardsurfacing. Any degree of mechanization can be used — from the hand-held semi-automatic gun to boom or track-carried and

fixture-held multiple welding heads.

The high quality of submerged-arc welds, the high deposition rates, the deep penetration, the adaptability of the process to full mechanization, and the comfort characteristics (no glare, sparks, spatter, smoke, or excessive heat radiation) make it a preferred process in steel fabrication. It is used extensively in ship and barge building, railroad car building, pipe manufacture, and in fabricating structural beams, girders, and columns where long welds are required. Automatic submerged-arc installations are also key features of the welding areas of plants turning out mass-produced assemblies joined with repetitive short welds.

The high deposition rates attained with submerged-arc are chiefly responsible for the economies achieved with the process. The cost reductions when changing from the manual shielded metal-arc process to submerged-arc are frequently dramatic. Thus, a hand-held submerged-arc gun with mechanized travel may reduce welding costs more than 50%; with fully automatic multiarc equipment, it is not unusual for the costs to be but 10% of those attained with stick-electrode welding.

Other factors than deposition rates enter into the lowering of welding costs. Continuous electrode feed from coils, ranging in weight from 60 to 1,000 pounds, contributes to a high operating factor. Where the deep-penetration characteristics of the process permit the elimination or reduction of joint



Operators work on a tandem fixture to make 3/8 inch fillet welds on low-alloy, high strength "T" sections for a water reservoir structure. They are using a trackless tractor that develops full mechanized welding performance while featuring extreme portability and simplicity.

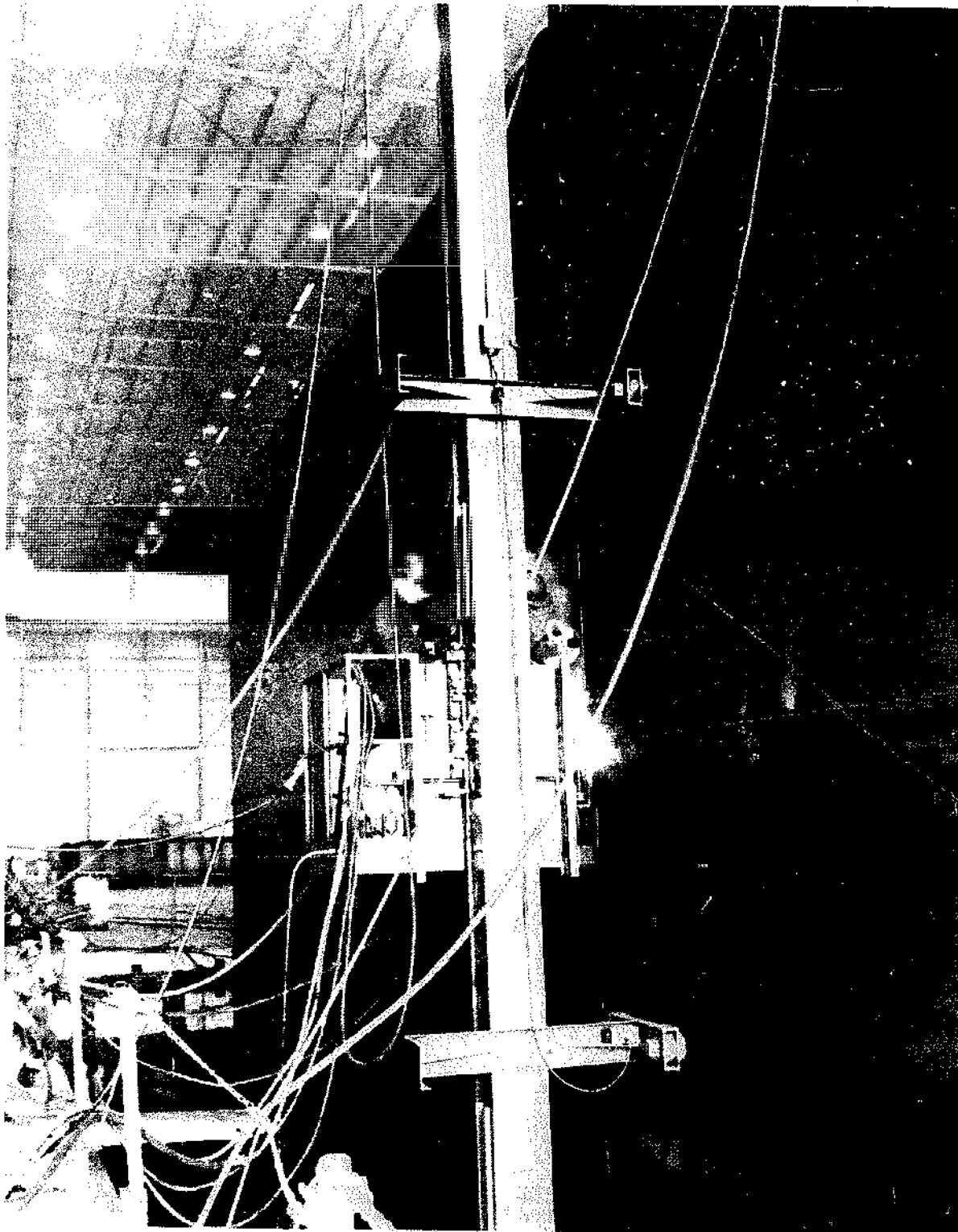
preparation, expense is lessened. After the weld has been run, cleaning costs are minimized, because of the elimination of spatter by the protective flux.

When submerged-arc equipment is operated properly, the weld beads are smooth and uniform, so that grinding or machining are rarely required. Since the rapid heat input of the process minimizes distortion, the costs for straightening finished assemblies are reduced, especially if a carefully planned welding sequence has been followed. Submerged-arc welding, in fact, often allows the premachining of parts, further adding to fabrication cost savings.

A limitation of submerged-arc welding is that imposed by the force of gravity. In most instances, the joint must be positioned flat or horizontal to hold the granular flux. To deal with this problem, weldment positioners (see Section 4.4) are used to turn assemblies to present joints flat or horizontal —

or the assemblies may be turned or rotated by a crane. Substantial capital investments in positioning and fixturing equipment in order to use submerged-arc welding to the fullest extent, and thus gain full advantage of the deposition rate, have proved their worth in numerous industries. As explained in Section 6.3, special fixturing and tooling have been developed for the retention of flux and molten metal in some applications, so that "three-o'clock" and even vertical-up welding is possible.

Although they are not truly limitations, problems can arise in the use of submerged-arc resulting from improper joint preparation and improper procedures. Thus, "flash-through" of the arc, burn-through, and weld porosity result from such factors as improper procedures, poor fitup and joint contaminants. These and other problems and the remedies for them are discussed in Section 6.3.



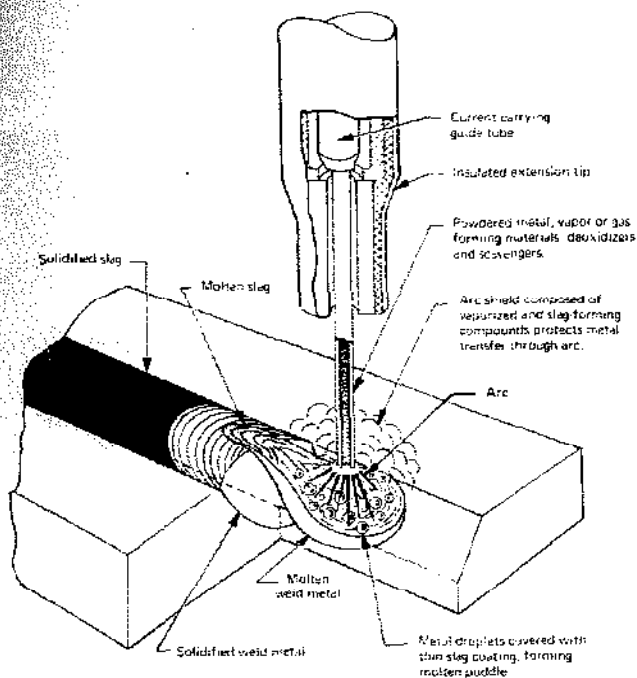
Vertical-up welding with the self-shielded flux-cored electrode process.

## The Self-Shielded Flux-Cored Process

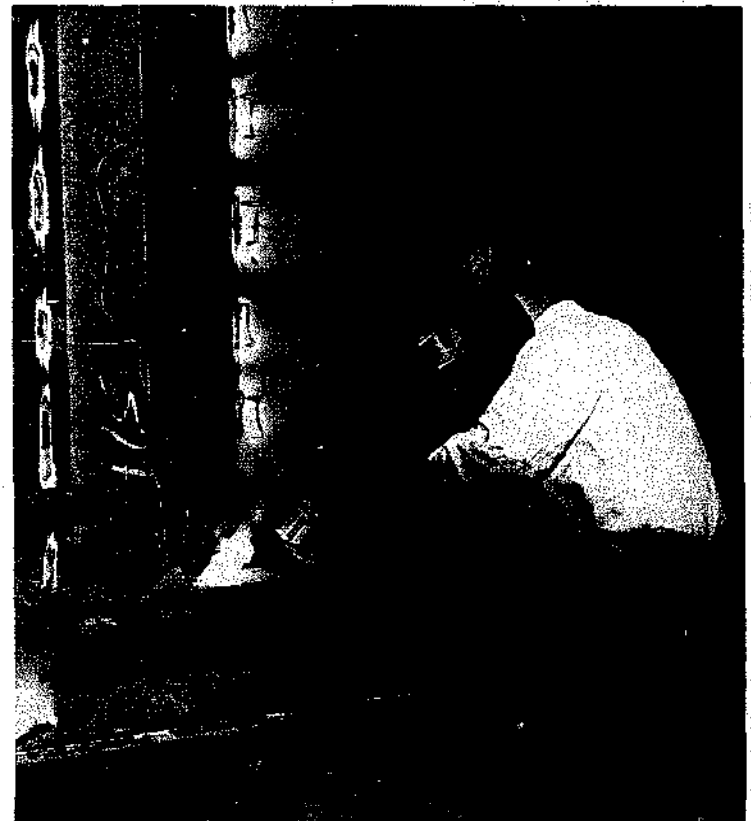
The self-shielded flux-cored arc-welding process is an outgrowth of shielded metal-arc welding. The versatility and maneuverability of stick electrodes in manual welding stimulated efforts to mechanize the shielded metal-arc process. The thought was that if some way could be found for putting an electrode with self-shielding characteristics in coil form and feeding it mechanically to the arc, welding time lost in changing electrodes and the material loss as electrode stubs would be eliminated. The result of these efforts was the development of the semiautomatic and full-automatic processes for welding with continuous flux-cored tubular electrode "wires." Such fabricated wires (Fig. 5-5) contain in their cores the ingredients for fluxing and deoxidizing molten metal and for generating shielding gases and vapors and slag coverings.

In essence, semiautomatic welding with flux-cored electrodes is manual shielded metal-arc welding with an electrode many feet long instead of just a few inches long. By the press of the trigger completing the welding circuit, the operator activates the mechanism that feeds the electrode to the arc (Fig. 5-6). He uses a gun instead of an electrode holder, but it is similarly light in weight and easy to maneuver. The only other major difference is that the weld metal of the electrode surrounds the shielding and fluxing chemicals, rather than being surrounded by them.

Full-automatic welding with self-shielded flux-cored electrodes is one step further in mechanization — the removal of direct manual manipulation in the utilization of the open-arc process.



**Fig. 5-5.** Principles of the self-shielded flux-cored arc-welding process. The electrode may be viewed as an "inside-out" construction of the stick electrode used in shielded metal-arc welding. Putting the shielding materials inside the electrode allows the coiling of long, continuous lengths of electrode and gives an outside conductive sheath for carrying the welding current from a point close to the arc.



**Fig. 5-6.** The operator activates electrode feed when he presses the trigger completing the welding circuit. With the semiautomatic gun he can reach into areas that are inaccessible to the semiautomatic equipment of other processes.

## EFFECT OF ELECTRODE CONSTRUCTION ON DEPOSITION RATE

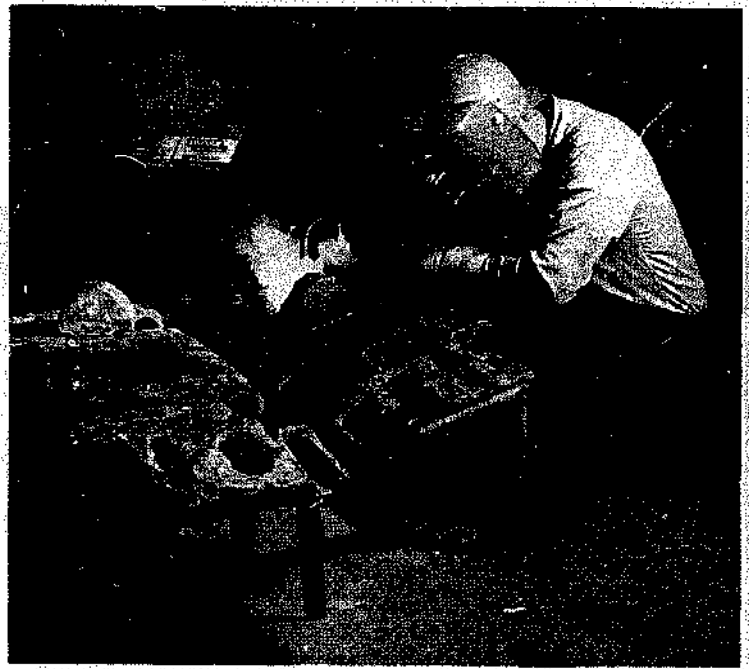
One reason for incorporating the flux inside a tubular wire is to make feasible the coiling of electrode; outside coverings such as used on stick electrodes are brittle and would not permit coiling. The "inside-out" construction of the fabricated electrodes also solved the problem of how to make continuous electric contact at a point in the welding gun close to the arc.

As noted in Section 5.1, one of the limitations of the stick electrode is the long and varying length of electrode between the point of electrical contact in the electrode holder and the electrode tip. This limits the current that can be used because of electrical resistance heating. High currents — capable of giving high deposition rates — in passing through an electrode length more than a few inches long would develop enough resistance heating to overheat and damage the covering. But when electrical contact can be made close to the arc, as with the inside-out construction of tubular electrodes, relatively high currents can be used even with small-diameter electrode wires.

The inside-out construction of self-shielded electrode, thus, brought to manually manipulated welding the possibility of using higher-amperage currents than feasible with stick-electrode welding. As a result, much higher deposition rates are possible with the hand-held semiautomatic gun than with the hand-held stick-electrode holder.

Higher deposition rates, plus automatic electrode feed and elimination of lost time for changing electrodes have resulted in substantial production economies wherever the semiautomatic process has been used to replace stick-electrode welding. Decreases in welding costs as great as 50% have been common, and in some production welding deposition rates have been increased as much as 400%.

The intent behind the development of self-shielded flux-cored electrode welding was to mechanize and increase the efficiency of manual welding. The semiautomatic use of the process does just that — serves as a direct replacement for stick-electrode welding. The full-automatic use of the process, on the other hand, competes with other fully automatic processes and is used in production where it gives the desired performance characteristics and weld properties, while eliminating problems associated with flux or gas handling. Although the full-automatic process is important to a few industries, the semiautomatic version has the wider application possibilities. In fact, semiautomatic self-shielded



**Fig. 5-7.** The semiautomatic self-shielded flux-cored arc-welding process substantially reduces costs in repair, rebuilding, and maintenance work, as well as in manufacturing, fabrication, and structural steel erection. Here, the welder is using the process to repair and rebuild shovel crawler pads.

flux-cored welding has potential for substantially reducing welding costs when working with steel wherever stick-electrode welding is used to deposit other than minor volumes of weld metal. This has been proved to be true in maintenance and repair welding (Fig. 5-7), as well as in production work.

Although the AWS-accepted term for the process is self-shielded flux-cored arc welding, it is often referred to as open-arc "Squirt" welding, vapor-shielded welding, or cored-electrode welding. The prefix "semiautomatic" or "full-automatic" is used to distinguish the degree of mechanization. In shop practice, the proprietary name for the electrode is often the term employed in referring to the process, with the semiautomatic version generally implied. Thus, in many shops the trade name "Innershield" is used to mean semiautomatic self-shielded flux-cored welding. Should the full-automatic method be employed in the same shop, it would likely be called "automatic Innershield."

## ADVANTAGES OF THE PROCESS

The electrode types, performance characteristics, equipment, and operating techniques for the self-shielded flux-cored process are described in Section 6.4. Some of the benefits of the process are brought out or become apparent in the discussion of operating techniques. However, the impact of a

mechanized, all-position, manually maneuvered arc-welding process on weldment production and structural steel fabrication and erection is not always obvious and merits mention.

Since the semiautomatic process can be used any place stick-electrode can be used, it makes possible one-process welding in the erection of structural steel in building framing. As proved on major high-rise projects, this factor is possibly as important as the higher deposition rates of semiautomatic welding in reducing erection costs. One process substantially reduces the amount of equipment needed on the job and allows every welding operator to be qualified for every joint. This, in turn, permits the more systematic deployment of men, equipment, and materials and reduces delays and minimizes equipment handling. One-process welding — from tack welding to column-splice and beam-to-column welding — gives erectors the opportunity to take a "systems approach" to erection logistics, with the result that cost savings above those attributable to the speed of the semiautomatic process are realizable.



**Fig. 5-8.** Before all-position electrodes for self-shielded flux-cored arc welding were developed, beam web-to-column connections in building erection were made with stick electrodes. If the flange-to-column joints were made with semiautomatic equipment, the operator had to change to the stick electrode for the vertical joint, or the connection had to be made by bolting the web to an angle welded to the column. The all-position electrode wires were the development that made possible one-process mechanized welding in building erection, with all of its incidental benefits in the scheduling of erection operations.

Figure 5-8 shows the welding of a beam web-to-column connection in the erection of a major high-rise building. When this weld was made possible by the development of all-position electrode one-process mechanized erection welding became feasible.

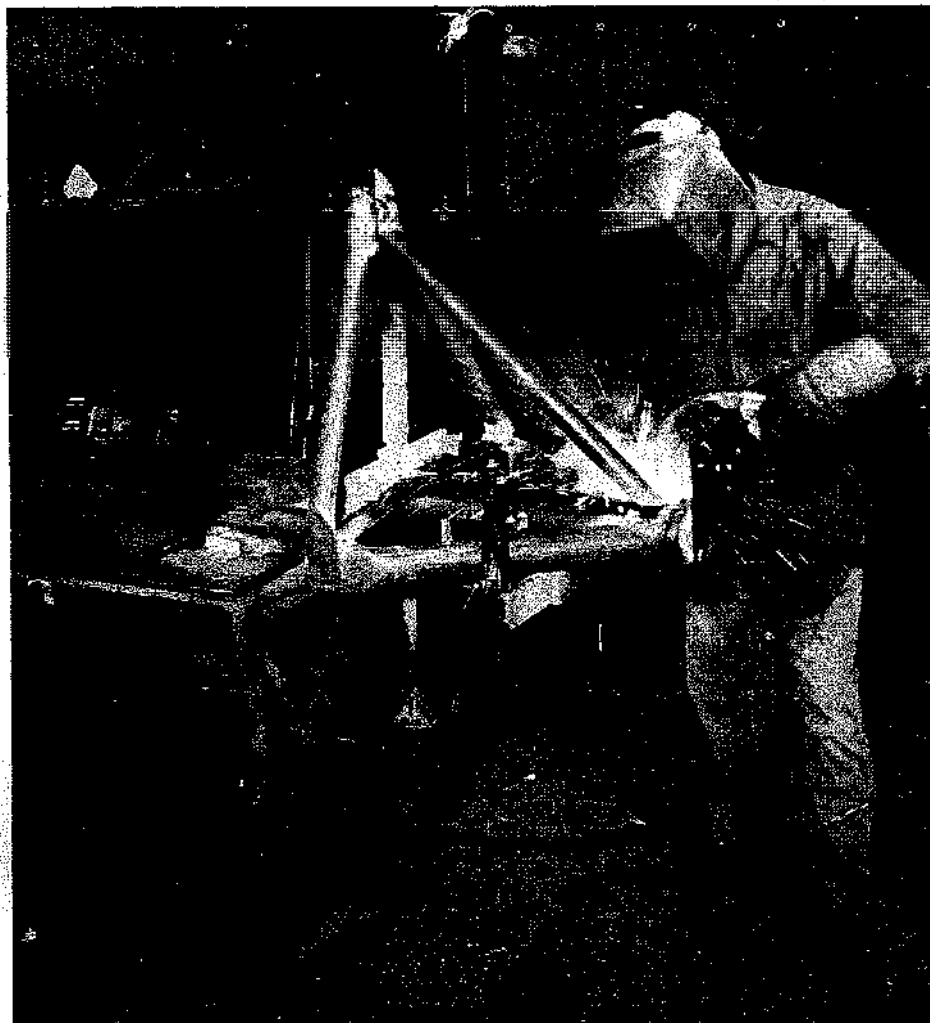
The tolerance of the semiautomatic process to poor fitup is also a decisive benefit to steel fabricators. Although every reasonable effort should be made to guard against poor fitup, its avoidance is economically impractical with some weldments, especially those made from heavy material and pieces of complex configuration where appearance or perfection in detail has little or no value in the end product. In manufacturing where fitup has been a major problem, use of semiautomatic self-shielded flux-cored arc welding has reduced rework and repair without affecting final product quality. This factor has been of cost-saving value as important to the company as the cost savings resulting from the increased welding speeds when changing from manual shielded metal-arc welding. The tolerance of the semiautomatic process to poor fitup has expanded the use of tubular steel members in structures by making possible sound connections where perfect fitup would be extremely difficult or too costly to achieve.

The advantages of the self-shielded flux-cored arc-welding process may be summarized as follows:

1. When compared with stick-electrode welding, gives deposition rates up to four times as great, often decreasing welding costs by as much as 50 to 75%.
2. Eliminates the need for flux-handling and recovery equipment, as in submerged-arc welding, or for gas and gas storage, piping, and metering equipment, as in gas-shielded mechanized welding. The semiautomatic process is applicable where other mechanized processes would be too unwieldy.
3. Has tolerance for elements in steel that normally cause weld cracking when stick-electrode or one of the other mechanized welding processes are used. Produces crack-free welds in medium-carbon steel, using normal welding procedures.
4. Under normal conditions, eliminates the problems of moisture pickup and storage that occur with low-hydrogen electrodes.
5. Eliminates stub losses and the time that would be required for changing electrodes with the stick-electrode process.



6. Eliminates the need for wind shelters required with gas-shielded welding in field erection; permits fans and fast air-flow ventilation systems to be used for worker comfort in the shop.
7. Enables "one-process," and even "one-process, one-electrode," operation in some shop and field applications. This, in turn, simplifies operator training, qualification, and supervision; equipment selection and maintenance; and the logistics of applying men, materials, and equipment to the job efficiently.
8. Enables the application of the long-stickout principle to enhance deposition rates, while allowing easy operator control of penetration.
9. Permits more seams to be welded in one pass, saving welding time and the time that otherwise would be consumed in between-pass cleaning.
10. Is adaptable to a variety of products; permits continuous operation at one welding station, even though a variety of assemblies with widely different joint requirements are run through it.
11. Provides the fast filling of gouged-out voids often required when making repairs to weldments or steel castings.
12. Gives the speed of mechanized welding in close quarters; reaches into spots inaccessible by other semiautomatic processes.
13. Provides mechanized welding where mechanized welding was formerly impossible, such as in the joining of a beam web to a column in building erection (Fig. 5-8).
14. Enables the bridging of gaps in fitup by operator control of the penetration without reducing quality of the weld. Minimizes repair, rework, and rejects.



Tubular support assembly for a bulldozer blade is being welded with the self-shielded flux-cored electrode process.

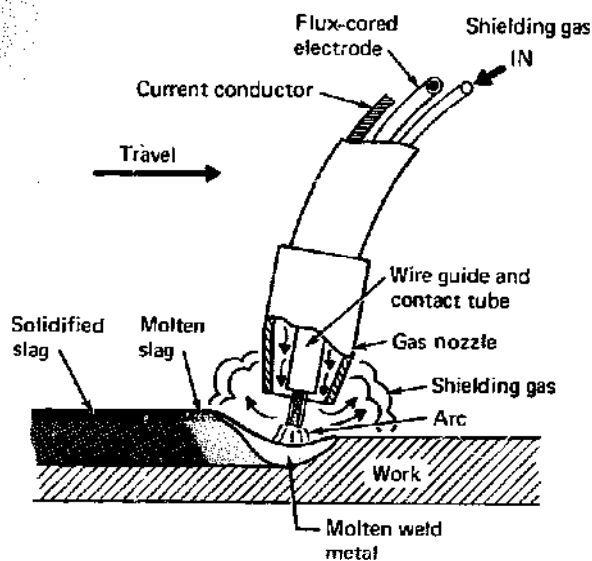
## The Gas-Shielded Arc-Welding Processes

As noted in the preceding sections, the shielded metal-arc process (stick-electrode) and self-shielded flux-cored electrode process depend in part on gases generated by the heat of the arc to provide arc and puddle shielding. In contrast, the gas-shielded arc-welding processes use either bare or flux-cored filler metal and gas from an external source for shielding. The gas is impinged upon the work from a nozzle that surrounds the electrode. It may be an inert gas — such as argon or helium — or carbon dioxide ( $\text{CO}_2$ ), a much cheaper gas that is suitable for use in the welding of steels. Mixtures of the inert gases, oxygen, and carbon dioxide also are used to produce special arc characteristics.

There are three basic gas-shielded arc-welding processes that have broad application in industry. They are the gas-shielded flux-cored process, the gas tungsten-arc (TIG) process, and the gas metal-arc (MIG) process.

### THE GAS-SHIELDED FLUX-CORED PROCESS

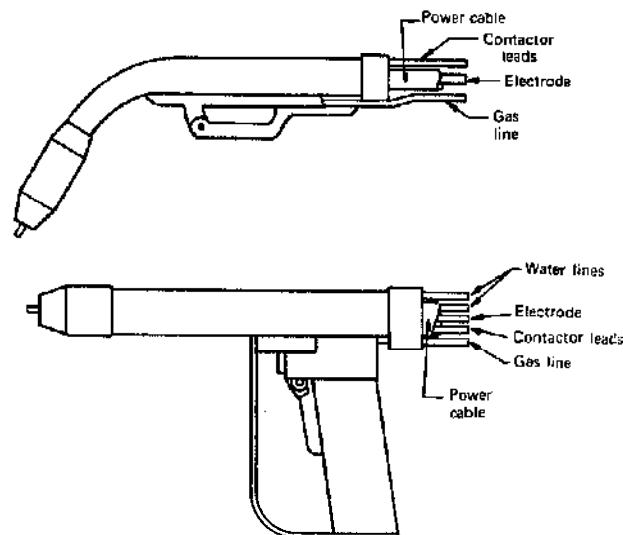
The gas-shielded flux-cored process may be looked upon as a hybrid between self-shielded flux-



**Fig. 5-9.** Principles of the gas-shielded flux-cored process. Gas from an external source is used for the shielding; the core ingredients are for fluxing and metal-conditioning purposes.

cored arc welding and gas metal-arc welding. Tubular electrode wire is used (Fig. 5-9), as in the self-shielded process, but the ingredients in its core are for fluxing, deoxidizing, scavenging, and sometimes alloying additions, rather than for these functions plus the generation of protective vapors. In this respect, the process has similarities to the self-shielded flux-cored electrode process, and the tubular electrodes used are classified by the AWS (see Sections 6.4 and 6.5) along with electrodes used in the self-shielded process. On the other hand, the process is similar to gas metal-arc welding in that a gas is separately applied to act as arc shield.

The guns and welding heads for semiautomatic and full-automatic welding with the gas-shielded process are of necessity more complex than those used in self-shielded flux-cored welding. Passages must be included for the flow of gases. If the gun is water-cooled, additional passages are required for this purpose. Figure 5-10 shows typical guns for semiautomatic gas-shielded flux-cored arc welding, and Fig. 5-11 typical nozzle assemblies for full-automatic operation. The wire feeder is similar to the wire feeder used with the self-shielded flux-cored electrode process. Figure 5-12 shows a schematic for a full-automatic welding facility with



**Fig. 5-10.** Typical guns for semiautomatic gas-shielded flux-cored arc welding.

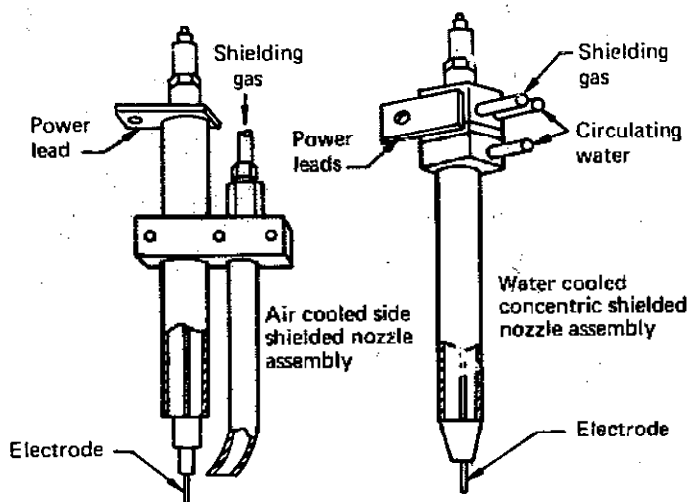


Fig. 5-11. Typical nozzle assemblies for full-automatic welding with gas-shielded flux-cored electrode or with solid-wire electrode (MIG welding).

either self-shielded or gas-shielded flux-cored electrode; the dotted line indicates the addition required with the gas-shielded version when using  $\text{CO}_2$  as the shielding gas.

The gas-shielded flux-cored process is used for welding mild and low-alloy steels (see Section 6.5). It gives high deposition rates, high deposition efficiencies, and high operating factors. Radiographic-quality welds are easily produced, and the weld metal with mild and low-alloy steels has good ductility and toughness. The process is adaptable to a wide variety of joints and gives the capability for all-position welding.

## GAS METAL-ARC WELDING

Gas metal-arc welding, popularly known as MIG welding, uses a continuous electrode for filler metal and an externally supplied gas or gas mixture for shielding. The shielding gas — helium, argon, carbon dioxide, or mixtures thereof — protects the molten metal from reacting with constituents of the atmosphere. Although the gas shield is effective in shielding the molten metal from the air, deoxidizers are usually added as alloys in the electrode. Sometimes light coatings are applied to the electrode for arc stabilizing or other purposes. Lubricating films may also be applied to increase the electrode feeding efficiency in semiautomatic welding equipment. Reactive gases may be included in the gas mixture for arc-conditioning functions. Figure 5-13 illustrates the method of which shielding gas and continuous electrode are supplied to the welding arc.

MIG welding may be used with all of the major commercial metals, including carbon, alloy, and stainless steels and aluminum, magnesium, copper, iron, titanium, and zirconium. It is a preferred process for the welding of aluminum (see Section 9.3), magnesium, copper, and many of the alloys of these reactive metals. Most of the irons and steels can be satisfactorily joined by MIG welding, including the carbon-free irons, the low-carbon and low-alloy steels (see Section 6.6), the high-strength quenched and tempered steels, the chromium irons and steels, the high-nickel steels, and some of the so-called superalloy steels. With these various materials, the welding techniques and procedures may vary widely. Thus, carbon dioxide or argon-oxygen mixtures are suitable for arc shielding when welding the low-carbon and low-alloy steels, whereas pure inert gas may be essential when welding highly alloyed steels. Copper and many of its alloys (see Section 10.1) and the stainless steels (see Section 7.4) are successfully welded by the process.

Welding is either semiautomatic, using a hand-held gun to which electrode is fed automatically, or full-automatic equipment is used. The welding guns or heads are similar to those used with gas-shielded flux-cored welding (Figs. 5-10 and 5-11). When the term “manual” gas metal-arc welding is used, the semiautomatic process with its hand-held gun is implied.

Metal transfer with the MIG process is by one of two methods: “spray-arc” or short circuiting. With

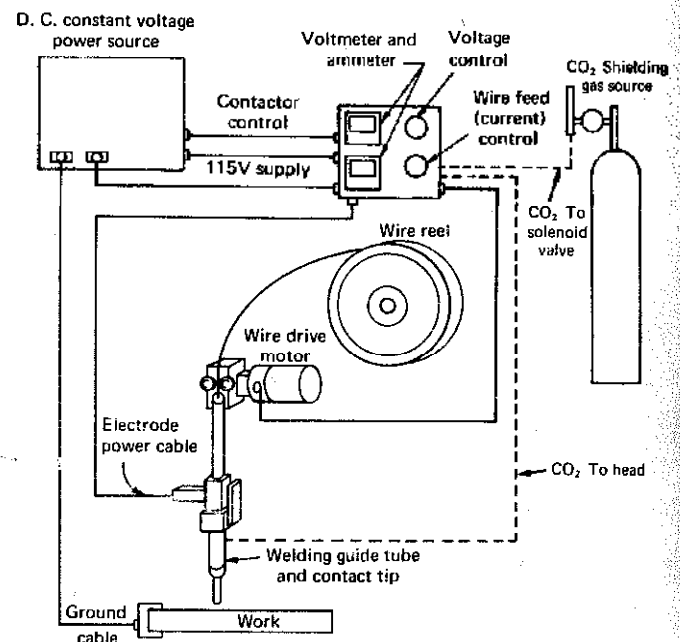


Fig. 5-12. Schematic for a full-automatic welding facility with either self-shielded or gas-shielded flux-cored electrode. The dotted line indicates the additions required with the gas-shielded version when using  $\text{CO}_2$  as the shielding gas.

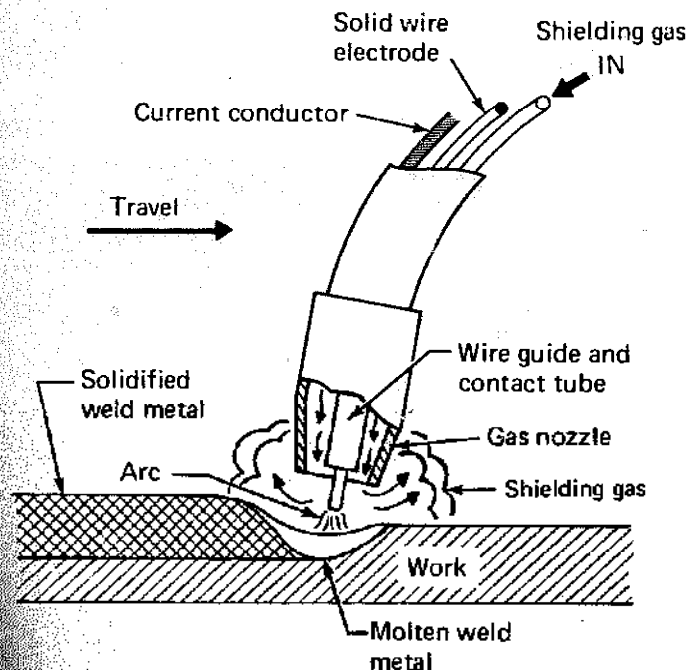


Fig. 5-13. Principle of the gas metal-arc process. Continuous solid-wire electrode is fed to the gas-shielded arc.

spray-arc, drops of molten metal detach from the electrode and move through the arc column to the work. With the short-circuiting technique — often referred to as short-arc welding — metal is transferred to the work when the molten tip of the electrode contacts the molten puddle.

The latter, short-arc welding, uses low currents, low voltages, and small-diameter wires. The molten drop short-circuits the arc an average of 100 times a second and at rates lower and much higher than this average. Metal is transferred with each short circuit,

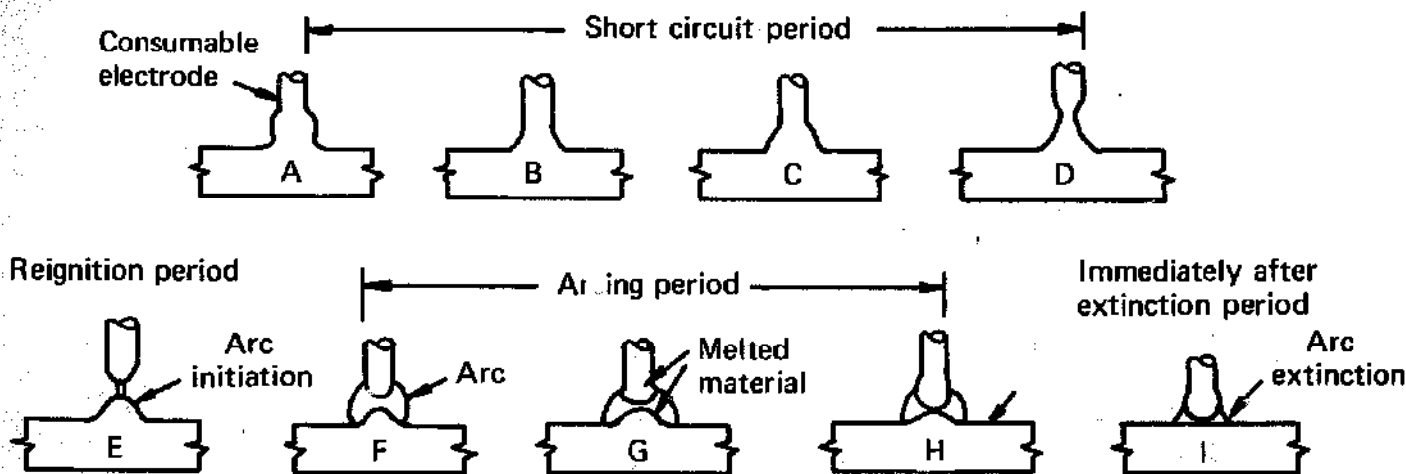
rather than across the arc as in spray-arc welding.

Figure 5-14 illustrates a complete short-arc cycle, starting with (A), the beginning of the short circuit, progressing through arc reignition and the arcing period, and ending with arc extinction immediately prior to the beginning of metal transfer. The technique results in low heat input, which minimizes distortion. It is useful for welding thin-gage materials in all positions and for vertical and overhead welding of heavy sections. Short-arc welding tolerates poor fitup and permits the bridging of wide gaps.

To use short-arc welding efficiently, special power sources with adjustable slope, voltage, and inductance characteristics are required. These power sources produce the predictable and controllable current surges needed for successful use of the short-arc technique.

Spray-arc transfer may be subdivided into two different types. When the shielding gas is argon or argon-oxygen mixture the droplets in the spray are very fine and never short circuit the arc. When carbon dioxide or argon-carbon dioxide mixture is used, a molten ball tends to form on the end of the electrode and may grow in size until its diameter is greater than the diameter of the electrode. These droplets, larger in size, may cause short circuits and this mode is known as globular transfer. Under conditions that cause the short circuits to occur very rapidly, the mode becomes short-circuiting transfer.

Spray-arc MIG welding produces an intensely hot, higher voltage arc, and, thus, gives a higher deposition rate than short-arc welding. A high current density is required for metal transfer through



Note: Idealized sketches not to scale

Courtesy Linde Division, Union Carbide Corp.

Fig. 5-14. The short-arc cycle in MIG welding. Short-circuiting starts with (A); the arc is reignited at (E); and is extinguished when the molten metal on the electrode tip touches the molten puddle at (H). Metal is transferred during the short circuit.

the arc. The spray-arc technique is recommended for 1/8-in. and thicker sections, requiring heavy single or multipass welds or for any filler-pass application where high deposition rate is advantageous.

MIG welding is a DC weld process; AC current is seldom, if ever, used. Most MIG welding is done with reverse polarity (DCRP). Weld penetration is deeper with reverse polarity than it is with straight polarity. MIG welding is seldom done with straight polarity, because of arc-instability and spatter problems that make straight polarity undesirable for most applications.

The gas metal-arc process can be used for spot welding to replace either riveting, electrical resistance, or TIG spot welding. It has proved applicable for spot welding where TIG spot welding is not suitable, such as in the joining of aluminum and rimmed steel. Fitup and cleanliness requirements are not as exacting as with TIG spot welding, and the MIG process may be applied to thicker materials.

The MIG process is also adaptable to vertical electrogas welding in a manner similar to that used with the gas-shielded flux-cored electrode process (see Section 6.5).

## GAS TUNGSTEN-ARC WELDING

The AWS definition of gas tungsten-arc (TIG) welding is "an arc welding process wherein coalescence is produced by heating with an arc between a tungsten electrode and the work." A filler metal

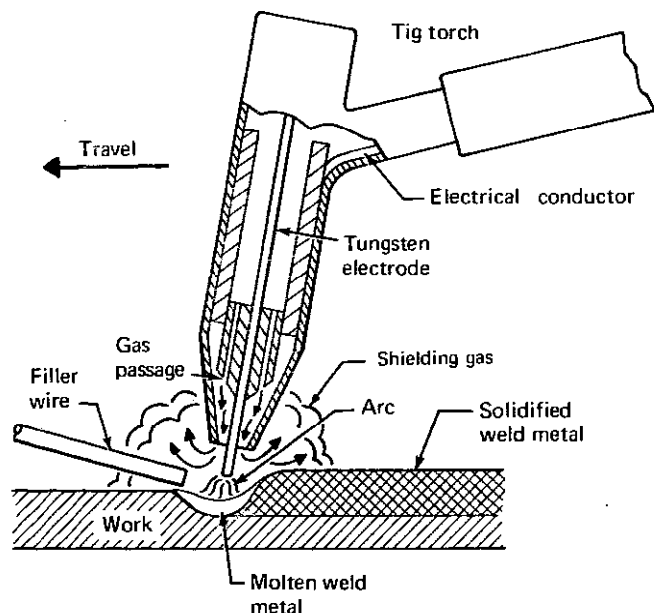


Fig. 5-15. Principles of the gas tungsten-arc process. If filler metal is required, it is fed into the pool from a separate filler rod.

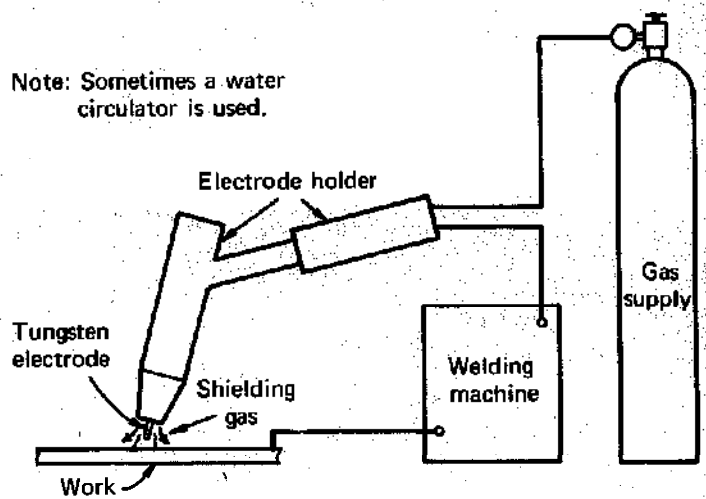


Fig. 5-16. Schematic of manual TIG welding.

may or may not be used. Shielding is obtained with a gas or a gas mixture.

Essentially, the nonconsumable tungsten electrode is a "torch" — a heating device. Under the protective gas shield, metals to be joined may be heated above their melting points so that material from one part coalesces with material from the other part. Upon solidification of the molten area, unification occurs. Pressure may be used when the edges to be joined are approaching the molten state to assist coalescence. Welding in this manner requires no filler metal.

If the work is too heavy for the mere fusing of abutting edges, and if groove joints or reinforcements, such as fillets, are required, filler metal must be added. This is supplied by a filler rod, manually or mechanically fed into the weld puddle. Both the tip of the nonconsumable tungsten electrode and the tip of the filler rod are kept under the protective gas shield as welding progresses.

Figure 5-15 illustrates the TIG torch, and Fig. 5-16 a schematic for manual TIG welding. The mode of manually feeding filler rod into the weld puddle is illustrated in Fig. 5-17. In automatic welding filler wire is fed mechanically through a guide into the weld puddle. When running heavy joints manually, a variation in the mode of feeding is to lay or press the filler rod in or along the joint and melt it along with the joint edges. All of the standard types of joints can be welded with the TIG process and filler metal.

Usually the arc is started by a high-frequency high-voltage device that causes a spark to jump from the electrode to the work and initiate the welding current. Once the arc is started, the electrode is moved in small circles to develop a pool of molten

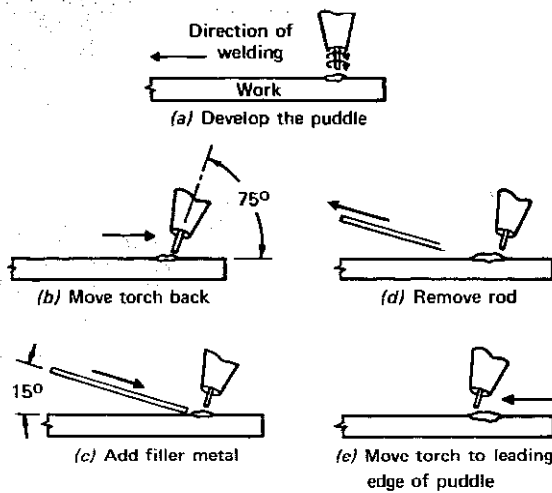


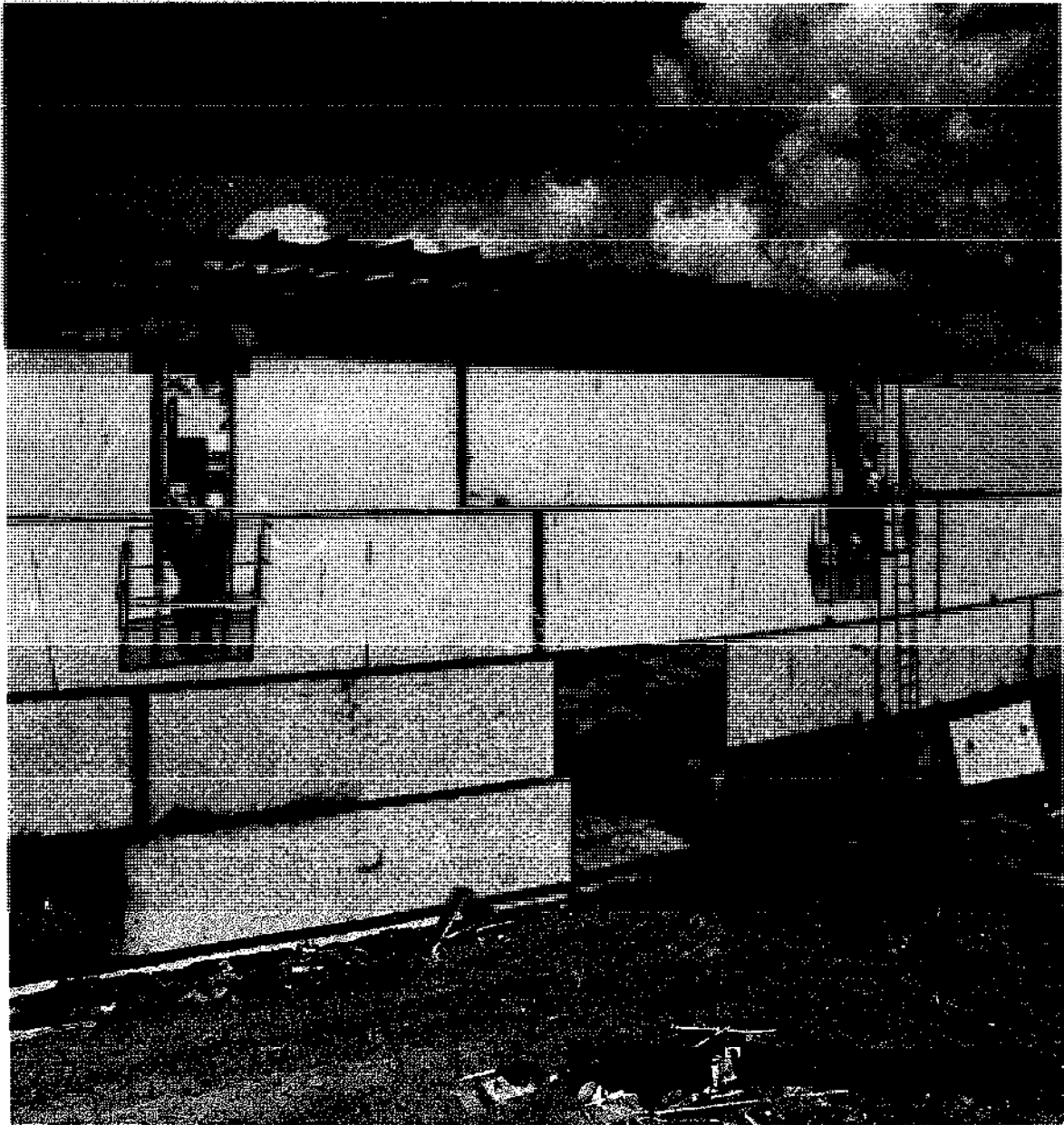
Fig. 5-17. Mode of manually feeding filler metal into the weld puddle when TIG welding.

metal and is positioned about  $75^{\circ}$  to the surface of the puddle formed. The filler rod, held at an angle of about  $15^{\circ}$  to the surface of the work, is advanced into the weld puddle. When adequate filler metal has been added to the pool, the rod is withdrawn and the torch moved forward. The cycle is then repeated. At all times, however, the filler rod is kept within the protective gas shield. For carbon steel,

low-alloy steel, and copper, the touch and withdraw method can be used to establish the arc but seldom if ever is this method satisfactory for the reactive metals.

Materials weldable by the TIG process are most grades of carbon, alloy, and stainless steels; aluminum and most of its alloys; magnesium and most of its alloys; copper and various brasses and bronzes; high-temperature alloys of various types; numerous hard-surfacing alloys; and such metals as titanium, zirconium, gold, and silver. The process is especially adapted for welding thin materials where the requirements for quality and finish are exacting. It is one of the few processes that are satisfactory for welding such tiny and thin-walled objects as transistor cases, instrument diaphragms, and delicate expansion bellows.

The gases employed in the TIG process are argon and helium and mixtures of the two (see Section 4.1). Filler metals are available for a wide variety of metals and alloys, and these are often similar, although not necessarily identical to the metals being joined. Sections 4.1, 6.7, 7.5, 9.4, and 10.1 give information on the use of TIG welding with carbon and low-alloy steels, stainless steel, aluminum, and copper alloys.



Welding horizontal seams on a storage tank with automatic open-arc process.

## Selecting A Welding Process

In selecting a process for production welding, a primary consideration is the ability of the process to give the required quality at the lowest cost. Here, the cost factor must include not only the operating cost, but also the amortization of the capital costs of equipment over the job and those jobs that may reasonably be expected to follow. Thus, a fabricator may have a job of running straight fillets where fully mechanized submerged-arc equipment would be the ultimate solution to low-cost, quality welding. But, unless the job involves a great amount of welding, or there is assurance that it will be followed by other jobs of a similar nature, the lowest cost to the fabricator — taking into account the feasibility for amortization — might be with a hand-held semiautomatic gun or even with the stick-electrode process. The job is, thus, the starting point in the selection of a welding process.

The job defines many things. It defines the metals to be joined, the number of pieces to be welded, the total length of welds, the type of joints, the preparations, the quality required, the assembly-positioning requirements — to name but a few. Process selection, thus, considers first the needs of the job at hand. Unless the job will be adequately repetitive or subsequent jobs will be similar in requirements, however, it may be desirable to select a process that is not optimum but which will be most efficient over the long pull.

It is a fact of business life that factors other than technology enter into process selection. Such factors include the need of companies to maintain their working staffs during unproductive periods. Thus, a large company that supplies sand and gravel for the construction industry does the major portion of weld rebuilding and weld resurfacing work on its drag-line buckets and other equipment during very cold weather when concrete pouring is at low ebb. Drag-line, shovel, and bull-dozer operators are accomplished weldors who do the rebuilding and resurfacing — working mostly with stick-electrode equipment. The repair and rebuilding work could be done much faster with semiautomatic or full-automatic equipment, but the company cares less about welding cost efficiencies at this stage. A

primary objective is to give their operating engineers something productive to do when their products, sand and gravel, are stock-piled beyond all expectancies for customer demand. The alternative would be to lay off skilled equipment operators during such periods — which would lead to greater costs for replacement and retraining than the inefficiencies in repair and rebuilding welding.

The job, thus, may involve intangibles — and these intangibles have a rightful place in process selection. It is because of intangibles that less efficient welding processes are often used. Where intangibles are involved, the company should question their validity. The fact that a weldor who has been using the stick electrode on the job for 20 years vows he will never touch a semiautomatic gun may not be adequate reason for acquiescing to him. Chances are, after a few reluctant days with a semiautomatic gun, he will be acclaiming its virtues with just as much fervor as he acclaims the stick electrode.

Assuming intangible factors do not prevail, what does the job tell that affects process selection?

First, the job tells what metals are to be welded. If the metals are steel, a wide range of processes may be considered. If the metals are aluminum and magnesium, the available processes will be gas tungsten-arc and gas metal-arc. Reference to Sections 5.4 and 9. will be helpful in making a choice. These processes and stick-electrode welding may also be chosen if maximum weld properties are required in high-alloy steels or corrosion-resistant materials. Here, one finds that the gas tungsten-arc process generally provides better properties but is considerably slower than the gas metal-arc process — which is generally preferred in mass production. If thin sections are involved, however, the TIG process may be preferred.

If the metals to be welded are the carbon or low-alloy steels, selection becomes more difficult. More processes are applicable, and varying degrees of mechanization are possible. The welding is likely to be heavy or involve many feet — or even miles — of weld, with varying types of joints. Furthermore, there may be precise requirements for such joints in



terms of fill, follow, freeze, or penetration.

Taking into account the fact that process selection is almost self-determining when the metals to be welded are aluminum, magnesium, copper, titanium, or the other nonferrous metals — or that the stick electrode is almost certainly to be the choice when welding steel where the immediate cost is of no importance, the following text will be concerned with choosing the optimum process for the *production* welding of steels. Here, intangibles no longer are effective, and only technology and pure economics prevail.

In the *production* welding of steel, mechanization immediately enters the picture. It can't be ignored, since some forms of mechanization are even applicable to tack welding. Here, also, stick-electrode welding is ruled out, since it can't be competitive with the mechanized processes.

All of the mechanized arc-welding processes have been developed as a means of reducing welding costs. Each of these processes has certain capabilities and limitations, and selecting the best process for a particular job can be a difficult, if not confusing, task. Unless the user makes a correct selection, however, he may lose many of the benefits to be gained in moving to mechanization and, thus, not achieve his objective of welds that meet the application requirements at the lowest possible cost.

There are varying degrees of mechanization with all of the mechanized processes — from semiautomatic hand-held equipment to huge mill-type welding installations. Thus, one needs a "common denominator" when processes are to be compared. Semiautomatic equipment possibly provides the best common denominator. Anything added to semi-mechanization is extraneous to the process capability *per se* and merely amounts to "putting the semiautomatic process on wheels."

With semimechanization and the capabilities of the various processes subject to semimechanization in mind, a four-step procedure can be used in deciding which is the preferred process for the particular production welding job.

## THE FOUR-STEP PROCEDURE

The four steps involved in process selection are:

1. First, the joint to be welded is analyzed in terms of its requirements.
2. Next, the joint requirements are matched with the capabilities of available processes.

One or more of the processes are selected for further examination.

3. A check list of variables is used to determine the capability of the surviving processes to meet the particular shop situation.
4. Finally, the proposed process or processes indicated as most efficient are reviewed with an informed representative of the equipment manufacturer for verification of suitability and for acquisition of subsidiary information having bearing on production economics.

This four-step approach is not mathematically precise, since it requires judgments. However, these *are made in the proper sequence* — which is most important for arriving at correct results. Also, on vital points, such as the joint factors of greatest significance, the judgments are usually clear-cut, with the possibility of error being negligible.

The main problem in applying this approach will be in assessing the capability of various processes to supply the needs of the joint. This will necessitate review of manufacturers' literature, or the directing of pertinent questions to equipment makers — and, to be sure that no process is omitted from consideration, data on each must be available.

## STEP I — Analysis of Joint Requirements

When economy in welding is a prime objective, the needs of any joint can be expressed in four terms:

Fast-fill . . . . . meaning high deposition rate.

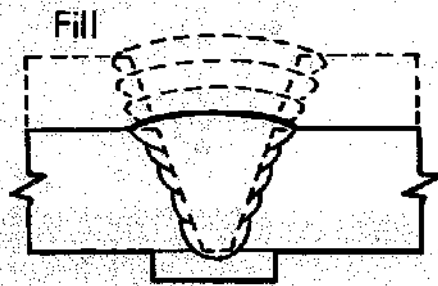
Fast-freeze . . . . . meaning the joint is out-of-position — overhead or vertical.

Fast-follow . . . . . being synonymous with high arc speed and very small welds.

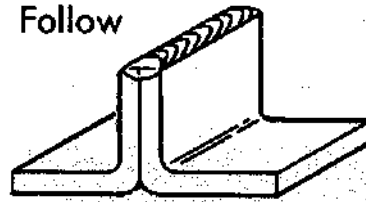
Penetration . . . . . meaning the depth of penetration into the base metal.

Fast-fill is an obvious requirement when a large amount of weld metal is needed to fill the joint. Only by a high deposition rate can a heavy weld bead be laid down in minimum arc time. Fast-fill becomes a minor consideration when the weld is small.

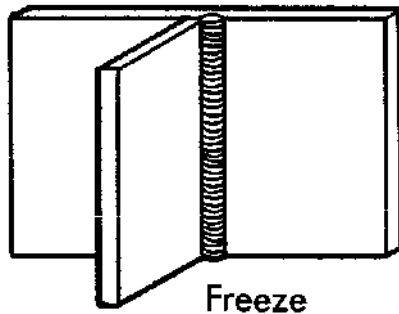
Fast-freeze implies out-of-position — the need for quick solidification of the molten crater. The joint may additionally be a fill-type or penetration type, but fast freezing is of paramount importance. Not all semiautomatic processes are capable of being used on fast-freeze joints.



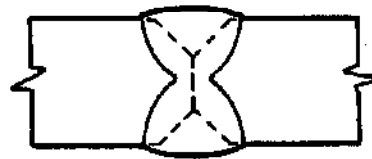
(a) Substantial volume of weld metal required.



(b) Minimal weld metal required. Usually, only the edges or surfaces of plates being joined must be melted together.



(c) Out-of-position joint, where control of molten crater is important.



(d) Joint requires deep penetration into base metal (maximum penetration). Bridging a gap (minimum penetration) may be required if fitup is poor.

Fig. 5-18. Examples of fill, follow, freeze, and penetration joints.

Fast-follow implies the ability of the molten metal to follow the arc at rapid travel speed, giving continuous, well-shaped beads, without "skips" or islands. The crater may be said to have low surface tension; it wets and washes in the joint readily. Fast-follow is especially desirable on relatively small single-pass welds, such as those used in joining sheet metal. It is rarely a requirement of a large or multiple-pass weld; with these, the arc speed automatically will be optimum when the deposition rate is sufficient.

Penetration varies with the joint. With some, it must be deep to provide adequate mixing of the weld and base metal, and with others it must be limited to prevent burnthrough or cracking.

Any joint can be categorized in terms of its needs for these four factors. Examination of the joint detail is all that is required for such categorization.

Figure 5-18 shows examples of fill, follow,

freeze, and penetration joints. Note that in the case of the first three types, the adjective "fast" describes what is wanted for maximum efficiency. In the case of penetration, however, either deep or shallow penetration may be desirable, depending upon the joint and the application requirements of the assembly.

In (a) of Fig. 5-18, a substantial volume of weld metal is required for fill. The process that will give fill most rapidly while meeting other requirements would be given high priority in the four-step selection procedure. In (b), the weld-metal requirements are minimal, and the process that would permit the fastest arc speed would get consideration. In (c), only a process that would permit out-of-position welding would be useful. Here, submerged-arc would be ruled out. But, in (d), deep penetration is indicated as necessary, in which case submerged-arc would definitely be considered.

The examples in Fig. 5-18 represent extremes.

## SOME TYPICAL JOINTS

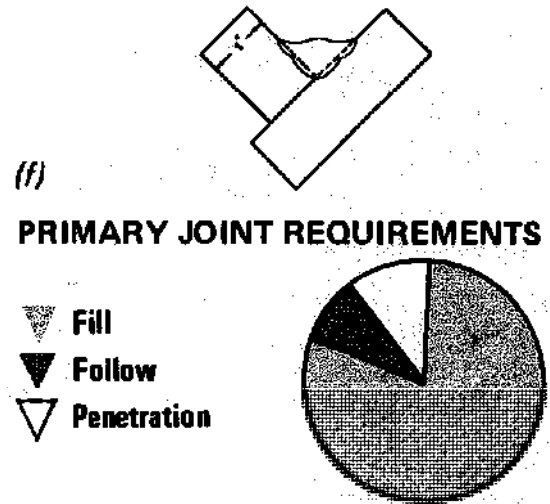
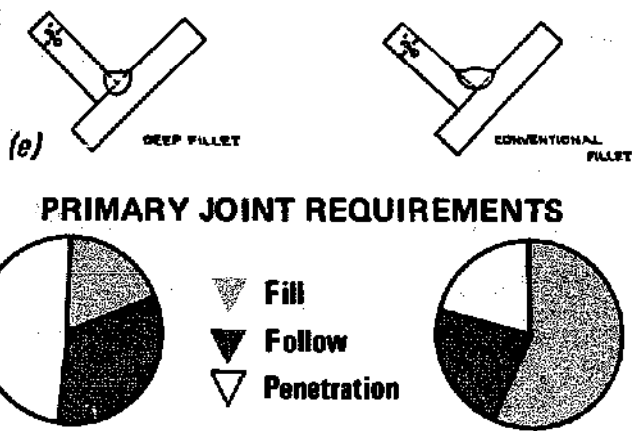
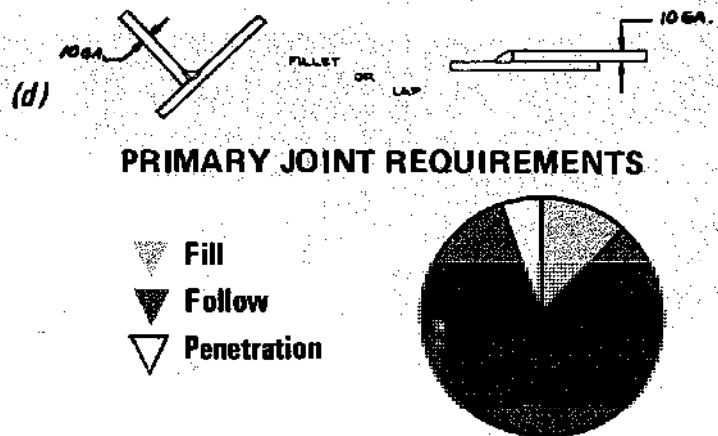
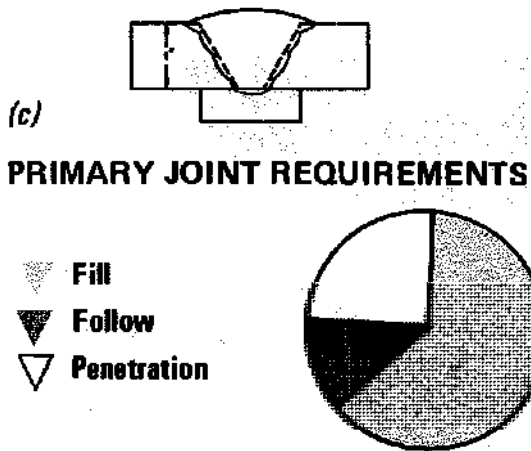
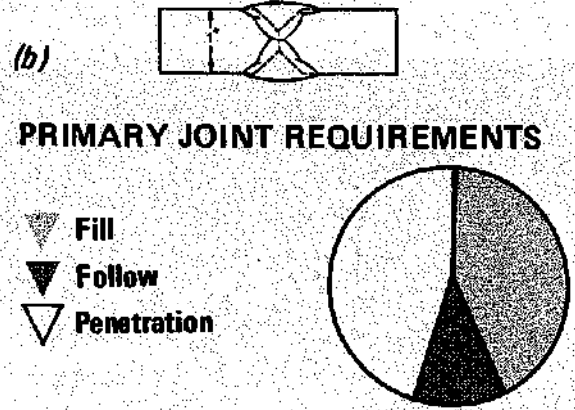
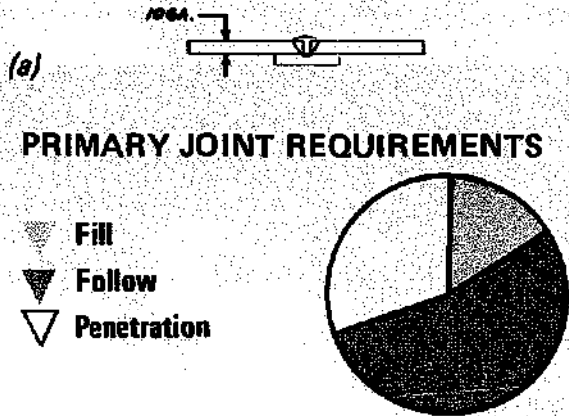


Fig. 5-19. The circular pie chart plots the relative importance of the basic joint requirements.

Although freeze joints are immediately recognizable, many of the joints encountered are not easily categorized in terms of fill, follow, and penetration. Various combinations of these three characteristics may be needed in the joint. Where there is a question, a judgment must be made as to the "weight" of each characteristic in the joint requirements.

Perhaps, follow is of dominating importance, yet penetration is also necessary, as in (a) of Fig. 5-19. Or, fill may be of equal importance with penetration, as in (b) of the same figure. The pie-chart technique used in Fig. 5-19 represents an illustrative effort to "weigh" the relative importance of any joint in terms of fill, follow, and penetration. The persons doing the "weighing" will probably not make pie charts, but they may informally agree that "this joint is mostly fill, with penetration next in importance." With that amount of judgment, the next step toward process selection can be made judiciously.

In analyzing joint requirements, it is virtually impossible for the experienced engineer or welding supervisor to make an error that would substantially affect the selection. The three factors are "weighted" — not quantitatively defined. As long as the order of significance of the three factors is assessed correctly, the information needed for matching up joint requirements with process capabilities has been obtained.

### STEP II — Matching Joint Requirements With Processes

The equipment manufacturers' literature usually will give information on the ability of various processes to deliver the requirements of the joint. Or, a telephone call or letter will bring the needed information. It is virtually impossible to be misled at this point, since the deposition-rate and arc-speed characteristics of each process can be clearly defined. Penetration is related to the current density of the process, but also affected by the thickness of the plate to be welded. In-plant experience with various processes will also be helpful, but care must be exercised that personal prejudices do not lead to destruction of the objectivity of the analysis. Once the capabilities of various semiautomatic processes are known, they can be matched with the joint requirements and tentative selections made.

If the joint in question is the one illustrated by (a) in Fig. 5-18, it might be rated 75% fill, 20% penetration, and 5% follow. Fill is obviously all-important; penetration is nominal; and follow is

unimportant. No matter what percentages are assigned, as long as they are in the proper order, one has a starting point for matching them with a welding process. The predominant need for fill suggests, possibly, submerged-arc or self-shielded flux-cored welding with a fast-fill electrode. The nominal need for penetration suggests that the latter might be more desirable, since submerged-arc with its deeper penetration could lead to burnthrough.

At this point, however, the welding engineer might ponder the feasibility of using long electrical stickout with submerged-arc, which would reduce excessive penetration while increasing the deposition rate. He now has two processes that look good; other factors, including not only data on deposition rates with the chosen procedures, but also the equipment available, the specifications for the work, the qualification of the weldors, and so on, will affect his final decision. These subsidiary factors come into play in the next step of the four-step selection procedure.

### STEP III — The Check List

Considerations other than the joint itself have bearing on selection decisions. Many of these will be peculiar to the job or the welding shop. They can be of overriding importance, however, and they offer the means of eliminating alternate possibilities. When organized in a check-list form, these factors can be considered one-by-one, with the assurance that none is overlooked.

Some of the main items to be included on the check list are:

**Volume of Production** — It must be adequate to justify the cost of the process equipment. Or, if the work volume for one application is not great enough, another application may be found to help defray investment costs.

**Weld Specifications** — A process under consideration may be ruled out because it does not provide the weld properties specified by the code governing the work. The specified properties may be debatable as far as defining weld quality, but the code still prevails.

**Operator Skill** — Replacement of manual welding by a semiautomatic process may require a training program. The operators may develop skill with one process more rapidly than with another. Training costs, just as equipment costs, require an adequate volume of work for their amortization.

**Auxiliary Equipment** — Every process will have its recommended power sources and other items of auxiliary equipment. If a process makes use of exist-

ing auxiliary equipment, the initial cost in changing to that process can be substantially reduced.

**Accessory Equipment** — The availability and the cost of necessary accessory equipment — chipping hammers, deslagging tools, flux lay-down and pick-up equipment, exhaust systems, et cetera — should be taken into account.

**Base-Metal Condition** — Rust, oil, fitup of the joint, weldability of the steel, and other conditions must be considered. Any of these factors could limit the usefulness of a particular process — or give an alternative process a distinct edge.

**Arc Visibility** — With applications where there is a problem of following irregular seams, open-arc processes are advantageous. On the other hand, when there is no difficulty in correct placement of the weld bead, there are decided “operator comfort” benefits with the submerged-arc process; no headshield is required and the heat radiated from the arc is substantially reduced.

**Fixturing Requirements** — A change to a semi-automatic process usually requires some fixturing if the ultimate economy is to be realized. The adaptability of a process to fixturing and welding positioners is a consideration to take into account, and this can only be done by realistically appraising the equipment.

**Production Bottlenecks** — If the process reduces unit fabrication cost, but creates a production bottleneck, its value may be completely lost. For example, highly complicated equipment that requires frequent servicing by skilled technicians may lead to expensive delays and excessive over-all costs.

The completed check list should contain every factor known to affect the economics of the operation. Some may be peculiar to the weld shop or the particular welding job. Other items might include:

Protection Requirements  
Application Flexibility  
Setup Time Requirements  
Cleanliness Requirements

Range of Weld Sizes      Weld Cleaning Costs  
Seam Length              Housekeeping Costs  
Ability to Follow Seams    Initial Equipment Cost

Each of these items must be evaluated realistically, recognizing the peculiarities of the application as well as those of the process and of the equipment used with it.

Insofar as possible, human prejudices should not enter the selection process; otherwise, objectivity will be lost. At every point, when all other things are equal, the guiding criterion should be welding cost.

The semiautomatic processes, it should be noted, excel over manual welding in respect to the major factors affecting cost — namely, deposition rate, arc speed, and the percentage of the operator’s time that is applied to laying the weld bead. With such considerations as setup time, fitup flexibility, application flexibility, range of weld sizes possible, and ability to follow seams, manual welding with the covered electrode will almost always get the highest score.

#### **STEP IV — Review of the Application by Manufacturer’s Representative**

This step in a systematic approach to process selection may seem redundant. However, a basic thesis is that at every step the talents of those who know best should be utilized. Thus, the check list to be used is tailored by the user to his individual situation. The user, and he alone, knows his situation best. It is also true that the manufacturer of the selected equipment knows its capabilities best — will be able to clear up any questions, supply up-to-date information about the process, point out pitfalls in its use, and give practical application tips.

If the analysis of the factors involved has been correct, and the exploration of possible processes thorough, it is almost axiomatic that the equipment manufacturer’s representative will confirm the wisdom of the selection. If something important has been overlooked, however, he will be in a position to point it out and make recommendations. This final review before installation of the equipment is to bring to the job all the information bearing on successful application as well as to verify the decision.

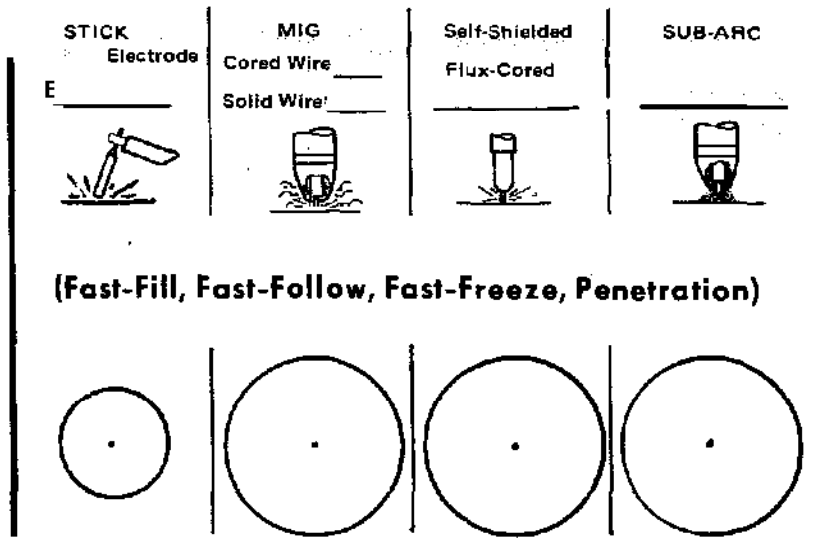
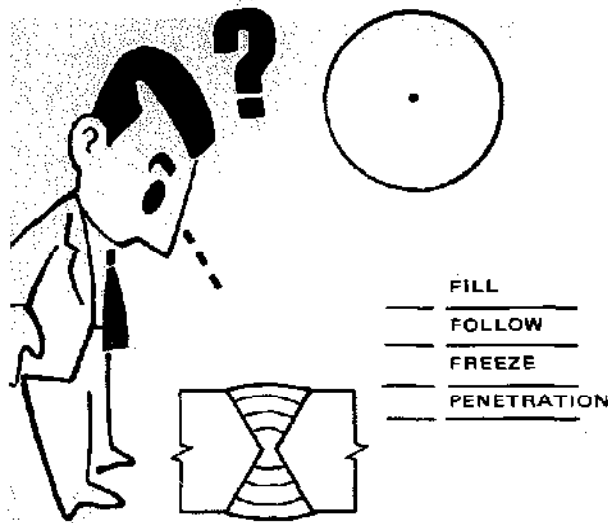
#### **SYSTEMIZING THE SYSTEMATIC APPROACH**

A system is of no value unless it is used. In a large company where the various welding processes are in use, it is possible to force judicious process selection by requiring analysis of the problem on a standardized process-selection chart. Fig. 5-20 shows a process-selection chart that is useful in the analysis of the joint and production requirements — and, thus, in making a process recommendation.

Such a chart recalls to mind the factors that should be considered and prevents oversights. Obviously, it could also be used as a guide for the company that does not have equipment for the major steel-welding processes on its production floors and wishes to make decision on what to buy for a particular job.

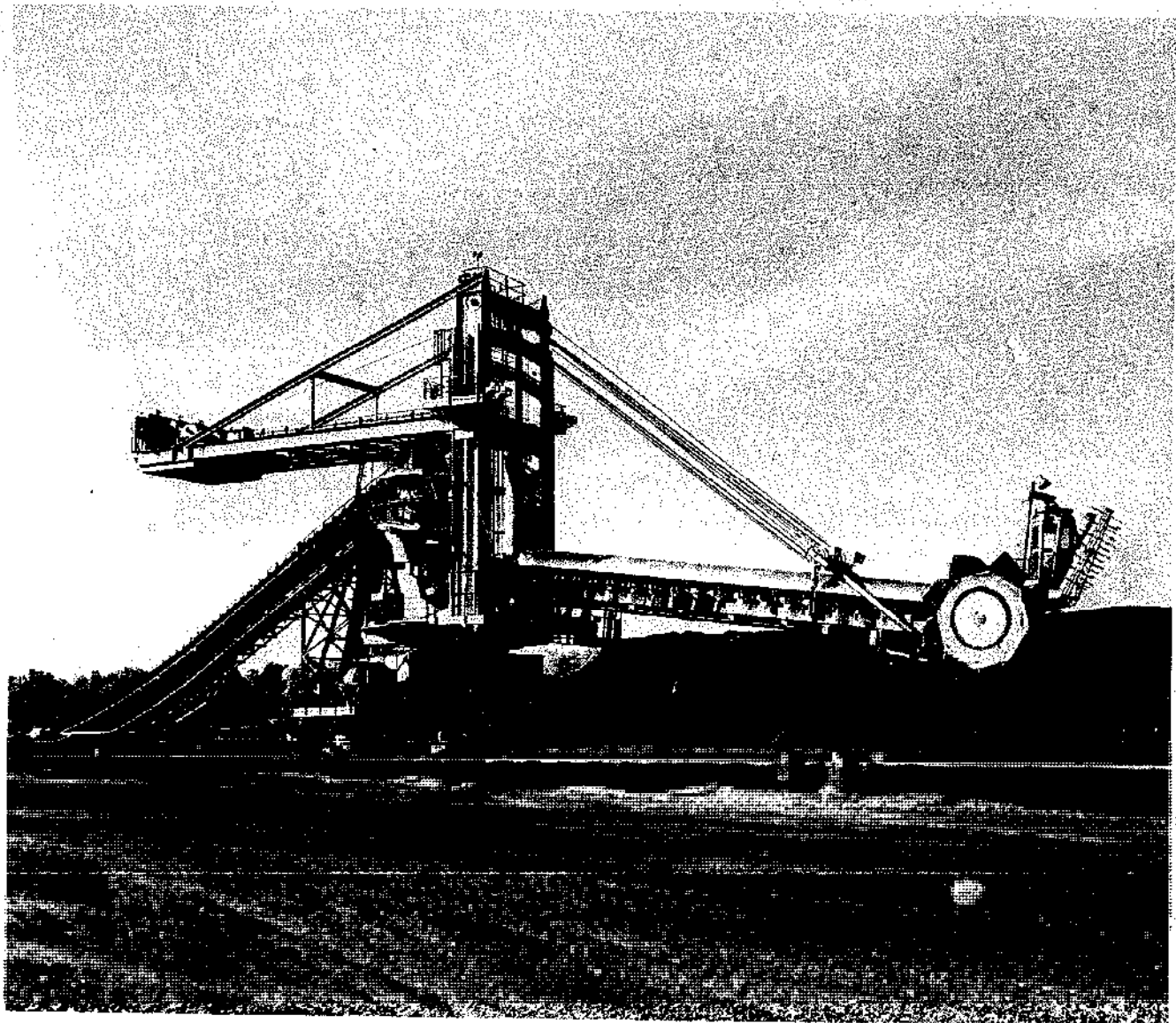
# PROCESS SELECTION CHART

## DEFINE JOINT REQUIREMENTS AND PERFORMANCE CHARACTERISTICS



PRODUCTION REQUIREMENTS	COMMENTS	PRODUCTION RATING			
ROD. VOLUME REQ'D					
QUALITY, WELD DEPOSIT					
SEAM LENGTH REQ'D					
RANGE, WELD SIZES					
INITIAL EQUIP. COST					
APPLIC. FLEXIBILITY					
ABILITY TO FOLLOW SEAM					
SET UP TIME REQ'D					
MIXTURING COST					
MATERIAL COST					
SETUP FLEXIBILITY					
JOINT PREPAR. FLEXIB.					
CLEANLINESS REQMTS.					
OPERATOR SKILL REQ'D					
WELD CLEANING COST					
HOUSEKEEPING COST					
PROTECTION REQ'D					
CRACK SENSITIVITY (Hard to Weld Steels)					

Fig. 5-20. A process-selection chart that prevents oversights when analyzing the needs of the job.



Bucket-wheel machine for stacking and reclaiming coal. Welding greatly simplified the design.

## Specialized Arc-Welding Processes

The joining of metals may be accomplished by methods other than those utilizing electrical energy. Oxyacetylene, friction, explosive, and thermit welding are examples. There are also various methods of welding that make use of electrical energy that are not "arc" welding. Examples are the variations of electrical-resistance welding, ultrasonic, electron-beam, and electrodeposition welding.

There are also several processes that may appropriately be labeled "arc" welding that do not fall in the categories described in Sections 5.1 to 5.4. In some cases, however, these specialized arc-welding processes may be looked upon as modifications of basic welding processes. Thus, vertical electroslag welding (see Section 6.5) is sometimes listed as a separate welding process, but may also be regarded as a specialized application of the gas-shielded flux-cored process. Similarly, electroslag welding is a variation of the submerged-arc process.

The book "Welding Metallurgy," Volume I, by George E. Linnert, published by the American Welding Society, describes several dozen metals-joining processes, including the 14 processes recognized by the AWS as "arc-welding" processes. This is a recommended reference for more complete information on the specialized arc-welding processes than given in the following text. Section 2 and Section 3B of the *AWS Welding Handbook*, Sixth Edition, and "Welding Processes," by P.T. Houldcroft, published by the Cambridge University Press, are also recommended references. The descriptions of the specialized arc-welding processes that follow are intended merely to give the reader an indication of what is available and what might be pursued and investigated further should these specialized processes be deemed more suitable than the basic commercial processes for particular applications.

### ELECTROSLAG WELDING

Electroslag welding is an adaptation of the submerged-arc welding process for joining thick materials in the vertical position. Figure 5-21 is a diagrammatic sketch of the electroslag process. It will be noted that, whereas some of the principles of

submerged-arc welding are applied, in other respects the process resembles a casting operation. Here, a square butt joint in heavy plate is illustrated, but the electroslag process — with modifications in equipment and technique — is also applicable to T joints, corner joints, girth seams in heavy-wall cylinders, and other joints. The process is suited best for materials at least 1 in. in thickness, and can be used with multiple electrodes on materials up to 10 in. thick without excessive difficulties.

As illustrated by the open, square butt joint in Fig. 5-21, the assembly is positioned for the vertical deposition of weld metal. A starting pad at the bottom of the joint prevents the fall-out of the initially deposited weld metal, and, since it is penetrated, assures a full weld at this point. Welding is started at the bottom and progresses upward. Water-cooled dams, which may be looked upon as molds, are placed on each side of the joint. These dams are moved upward as the weld-metal deposition progresses. The joint is filled in one "pass" — a single upward progression — of one or more consumable electrodes. The electrode or electrodes may

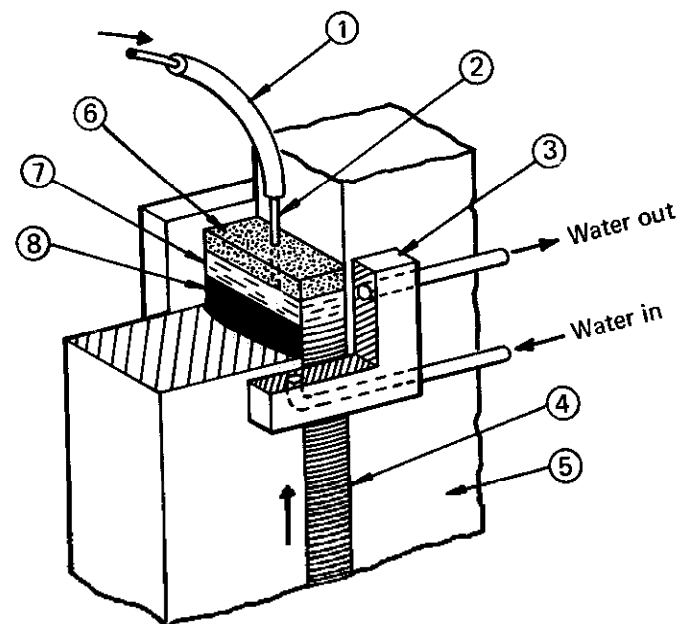


Fig. 5-21. Schematic sketch of electroslag welding. (1) electrode guide tube, (2) electrode, (3) water-cooled copper shoes, (4) finished weld, (5) base metal, (6) molten slag, (7) molten weld metal, (8) solidified weld metal.



be oscillated across the joint if the width of the joint makes this desirable.

At the start of the operation, a layer of flux is placed in the bottom of the joint and an arc is struck between the electrode (or electrodes) and the work. The arc melts the slag, forming a molten layer, which subsequently acts as an electrolytic heating medium. The arc is then quenched or shorted-out by this molten conductive layer. Heat for melting the electrode and the base metal subsequently results from the electrical resistance heating of the electrode section extending from the contact tube and from the resistance heating within the molten slag layer. As the electrode (or electrodes) is consumed, the welding head (or heads) and the cooling dams move upward.

In conventional practice, the weld deposit usually contains about 1/3 melted base metal and 2/3 electrode metal — which means that the base metal substantially contributes to the chemical composition of the weld metal. Flux consumption is low, since the molten flux and the unmelted flux above it “ride” above the progressing weld.

The flux used has a degree of electrical conductivity and low viscosity in the molten condition and a high vaporization temperature. The consumable electrodes may be either solid wire or tubular wire filled with metal powders. Alloying elements may be incorporated into the weld by each of these electrodes.

Weld quality with the electroslag process is generally excellent, due to the protective action of the heavy slag layer. Sometimes, however, the copper dams are provided with orifices just above the slag layer, through which a protective gas — argon or carbon dioxide — is introduced to flush out the air above the weld and, thus, give additional

assurance against oxidation. Such provisions are sometimes considered worthwhile when welding highly alloyed steels or steels that contain easily oxidizing elements.

The electroslag process has various advantages, including no need for special edge preparations, a desirable sequence of cooling that places the outside surfaces of weld metal under compressive rather than tensile stresses, and a relative freedom from porosity problems. Special equipment, however, is required, and few users of welding have enough volume of welding subject to application of the process to warrant the cost of such equipment.

## ELECTROGAS WELDING

Electrogas welding is very similar to electroslag welding in that the equipment is similar and the joint is in the vertical position. As the name implies, the shielding is by carbon dioxide or an inert gas. A thin layer of slag, supplied by the flux-cored electrode, covers the molten metal, and the heat is supplied by an arc rather than by resistance heating as in the electroslag process.

A disadvantage of the process is that it requires an external source of shielding gas. However, one advantage is that if the welding is stopped the electrogas process can be started again with less difficulty than the electroslag process. Figure 6-84 illustrates the process; additional information on it is given in Section 6.5.

## STUD ARC WELDING

Stud arc welding is a variation of the shielded metal-arc process that is widely used for attaching

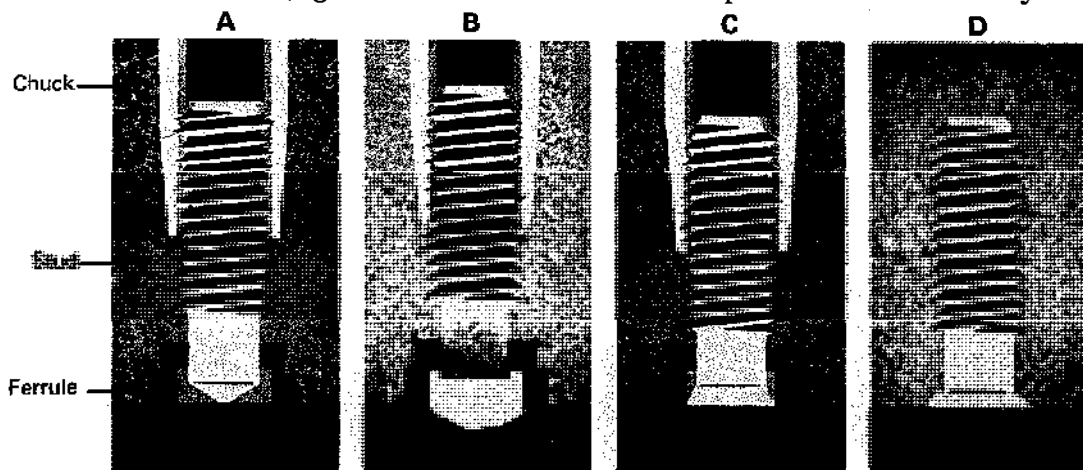


Fig. 5-22. Principles of stud welding, using a ceramic ferrule to shield the pool. (A) The stud with ceramic ferrule is grasped by the chuck of the gun and positioned for welding. (B) The trigger is pressed, the stud is lifted, and the arc is created. (C) With the brief arcing period completed, the stud is plunged into the molten pool on the base plate. (D) The gun is withdrawn from the welded stud and the ferrule removed.

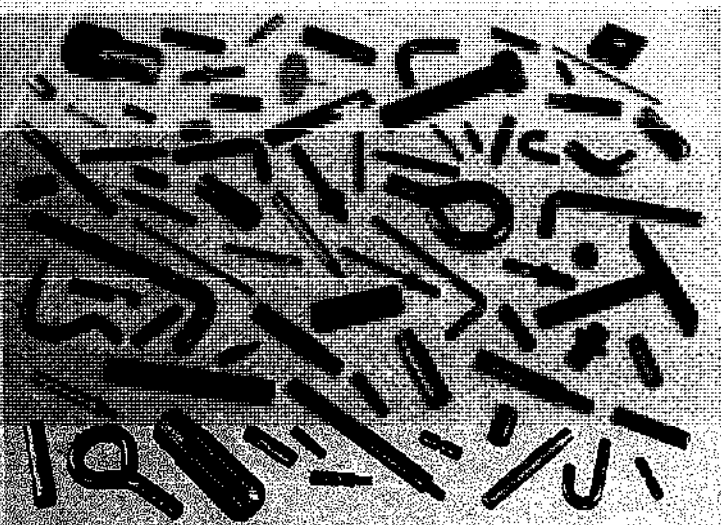


Fig. 5-23. Some of the commonly used fastening devices commonly attached to metal parts and assemblies by stud welding.

studs, screws, pins, and similar fasteners to a larger workpiece. The stud (or small part), itself — often plus a ceramic ferrule at its tip — is the arc-welding electrode during the brief period of time required for studding.

In operation, the stud is held in a portable pistol-shaped tool called a stud gun and positioned by the operator over the spot where it is to be weld-attached. At a press of the trigger, current flows through the stud, which is lifted slightly, creating an arc. After a very short arcing period, the stud is then plunged down into the molten pool created on the base plate, the gun withdrawn from it, and the ceramic ferrule — if one has been used — removed. The timing is controlled automatically and the stud is welded onto the workpiece in less than a second. The fundamentals of the process are illustrated in Fig. 5-22.

Studs are of many shapes, as illustrated in Fig. 5-23. All may be weld-attached with portable equipment. The stud may be used with a ceramic arc-

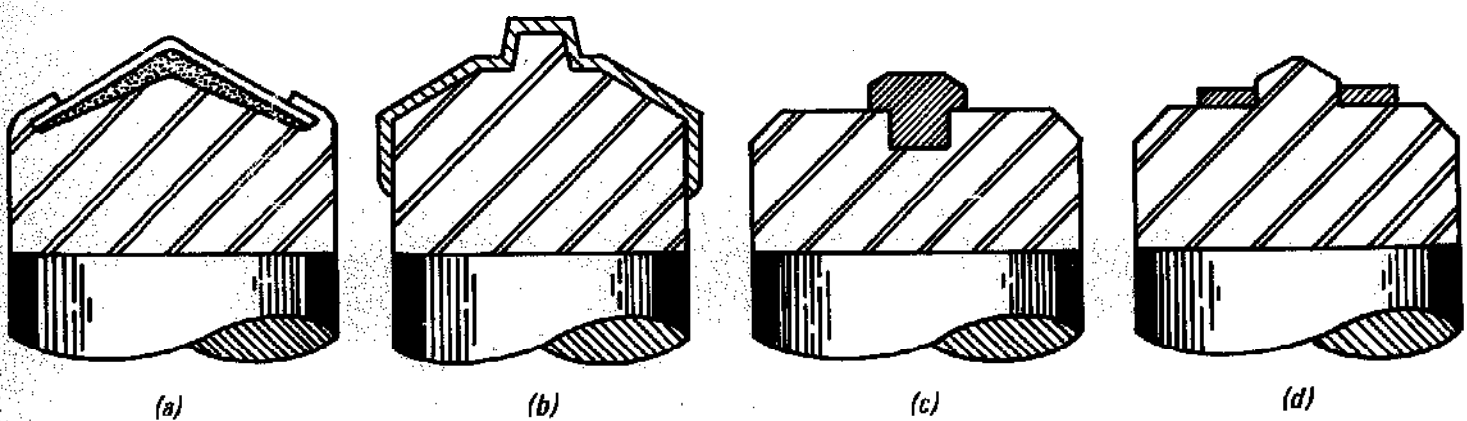


Fig. 5-24. Three methods of containing flux on the end of a welding stud: (a) granular flux; (b) flux coating; (c) and (d) solid flux.

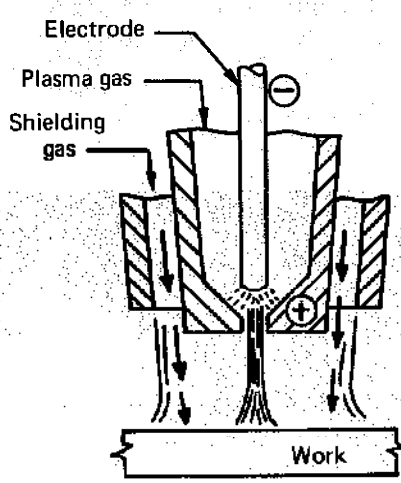


Fig. 5-25. Diagrammatic sketch of the plasma-arc torch.

shielding ferrule, as shown in Fig. 5-22, which prevents air infiltration and also acts as a dam to retain the molten metal, or may have a granular flux, flux coating, or solid flux affixed to the welding end, as illustrated in Fig. 5-24. The flux may include any of the agents found in a regular electrode covering; most important to stud welding is a deoxidizer to guard against porosity.

Stud welding is a well developed and widely used art. Information needed for its application with the carbon and alloy steels, stainless steels, aluminum, and other nonferrous metals may be found in the *AWS Welding Handbook*, Sixth Edition, Section 2.

**PLASMA-ARC WELDING**

Plasma-arc (or plasma-torch) welding is one of the newer welding processes, which is used industrially, frequently as a substitute for the gas tungsten-arc process. In some applications, it offers greater welding speeds, better weld quality, and less sensi-

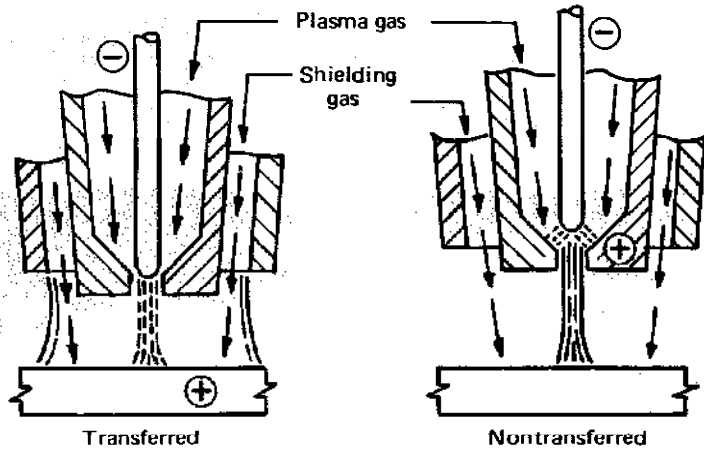


Fig. 5-26. Transferred and nontransferred arcs.

tivity to process variables than the conventional processes it replaces. With the plasma torch, temperatures as high as 60,000°F are developed and, theoretically, temperatures as high as 200,000°F are possible.

The heat in plasma-arc welding originates in an arc, but this arc is not diffused as is an ordinary welding arc. Instead, it is constricted by being forced through a relatively small orifice. The "orifice" or plasma gas (see Fig. 5-25) may be supplemented by an auxiliary source of shielding gas.

"Orifice" gas refers to the gas that is directed into the torch to surround the electrode. It becomes ionized in the arc to form the plasma and emerges from the orifice in the torch nozzle as a plasma jet. If a shielding gas is used, it is directed onto the workpiece from an outer shielding ring.

The workpiece may or may not be part of the electrical circuit. In the "transferred-arc" system, the workpiece is a part of the circuit, as in other arc-welding processes. The arc "transfers" from the

electrode through the orifice to the work. In the "nontransferred" system, the constricting nozzle surrounding the electrode acts as an electrical terminal, and the arc is struck between it and the electrode tip; the plasma gas then carries the heat to the workpiece. Figure 5-26 illustrates transferred and nontransferred arcs.

The advantages gained by using a constricted-arc process over the gas tungsten-arc process include greater energy concentration, improved arc stability, higher welding speeds, and lower width-to-depth ratio for a given penetration. "Keyhole" welding — or penetrating completely through the workpiece — is possible. Figure 5-27 compares gas tungsten-arc with transferred plasma-arc and schematically illustrates the concentration of energy with the latter and its superior penetration.

Manual and mechanized plasma-arc welding are described in detail in the *AWS Welding Handbook*, Sixth Edition, Section 3B. That volume also lists an extensive bibliography of literature on the subject, with emphasis on applications for the process.

## ATOMIC-HYDROGEN WELDING

The atomic-hydrogen process of arc welding may be regarded as a forerunner of gas-shielded and plasma-torch arc welding. Although largely displaced by other processes that require less skill and are less costly, it is still preferred in some manual operations where close control of heat input is required.

In the atomic-hydrogen process, an arc is established between two tungsten electrodes in a stream of hydrogen gas, using AC current. As the gas passes through the arc, molecular hydrogen is disassociated into atomic hydrogen under the intense heat. When

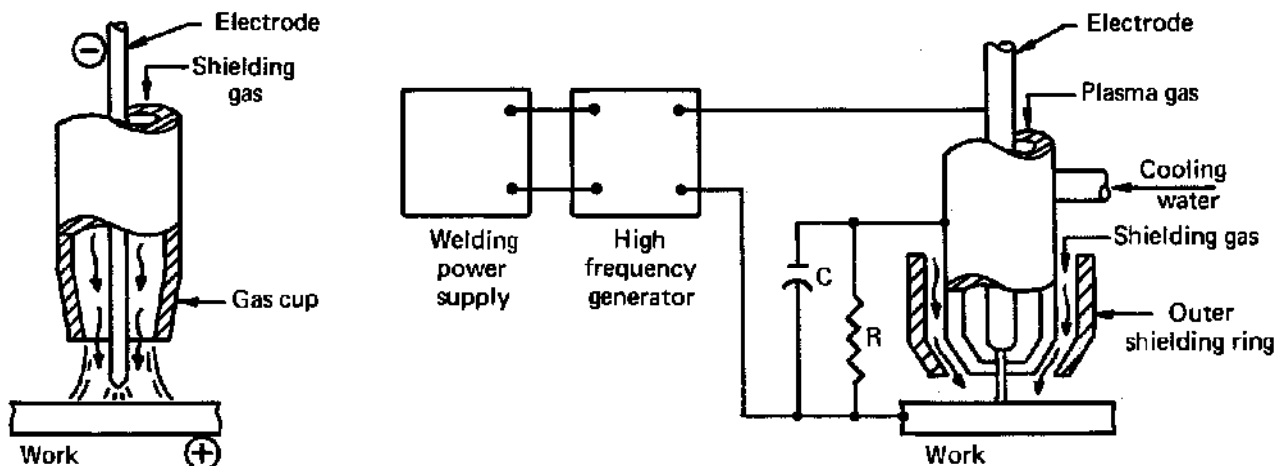


Fig. 5-27. Schematic comparison of gas tungsten-arc and plasma-arc welding torches.

the stream of hydrogen atoms strikes the workpiece, the environmental temperature is then at a level where recombining into molecules is possible. As a result of the recombining, the heat of disassociation absorbed in the arc is liberated, supplying the heat needed for fusing the base metal and any filler metal that may be introduced.

The atomic-hydrogen process depends on an arc, but is really a heating torch. The arc supplies the heat through the intermediate of the molecular-disassociation, atom-recombination mechanism.

The hydrogen gas, however, does more than provide the mechanism for heat transfer. Before entering the arc, it acts as a shield and a coolant to keep the tungsten electrodes from overheating. At the weld puddle, the gas acts as a shield. Since hydrogen is a powerful reducing agent, any rust in the weld area is reduced to iron, and no oxide can form or exist in the hydrogen atmosphere until it is removed. Weld metal, however, can absorb hydrogen, with unfavorable metallurgical effects. For this reason, the process gives difficulties with steels containing sulfur or selenium, since hydrogen reacts with these elements to form hydrogen sulfide or hydrogen selenide gases. These are almost insoluble in molten metal and either bubble out of the weld pool vigorously or become entrapped in the solidifying metal resulting in porosity.

## OTHER ADAPTATIONS

Producers of welding equipment and machinery are constantly developing adaptations of conventional arc-welding processes for highly specialized applications. These are usually ingenious techniques

to improve the performance of a basic process with a particular type of joint or metal or to hurdle a welding cost problem, and they frequently are given separate names — either generically or as registered trade names. Examples are the Linc-Fill\* systems for submerged-arc and self-shielded flux-cored welding, a trade term for high-deposition-rate welding using the long electrical stick-out principle.

A similar scheme called “hot-wire welding” increases the deposition rate of submerged-arc or gas tungsten-arc welding. Using a separate power source, the filler wire is preheated to almost the melting point as it enters the arc area (see Fig. 7-13). Since very little heat from the arc is required to complete the melting of the wire, it can be fed into the weld crater at a much higher rate than normal (see Section 7-5).

A technique called “narrow-gap” welding is an adaptation of the gas metal-arc process. The equipment is designed to permit welding in a square butt joint with a gap opening of 1/4 to 3/8 in. wide. Thin weld beads are deposited alternately in the corners, overlapping to fill the gap. The system uses two tandem torches operating together, one filling each side. Special water-cooled contact tubes, only 1/8 in. thick, are used. Plate up to 6 in. thick can be welded from one side. In addition to eliminating the need for V or U groove preparations and saving weld metal, the high travel speed used with narrow-gap welding minimizes heat input and, thus, reduces the width of the heat-affected zone and the problems that result from excessive heating of the material. This is especially important when welding high-strength low-alloy steels.

\*Linc-Fill is a trade mark of the Lincoln Electric Co.

## TENSILE PROPERTIES OF AWS LISTED STRUCTURAL STEELS

	Yield Strength min, psi	Tensile Strength min, psi	Filler Metal
<b>ASTM Spec.</b>			
A36	36,000	58 - 80,000	
A53 Gr B	35,000	60,000	
A106 Gr A	30,000	48,000	
Gr B	35,000	60,000	
Gr C	40,000	70,000	
A131	32,000	58 - 71,000	
A139 Gr A	30,000	48,000	
Gr B	35,000	60,000	
A375 (Obs. 1971)	(50,000)	(70,000)	Shielded Metal-Arc: AWS A5.1 or A5.5 E60XX or E70XX
A381 Gr Y35	35,000	60,000	
A500 Gr AR	33,000	45,000	Submerged-Arc: AWS A5.17 F6X- or F7X-EXXX
Gr AS	39,000	45,000	
Gr BR	42,000	58,000	
Gr BS	46,000	58,000	
A501	36,000	58,000	Gas Metal-Arc: AWS A5.18 E70S-X or E70U-1
A516 Gr 55	30,000	55 - 65,000	
Gr 60	32,000	60 - 72,000	
Gr 65	35,000	65 - 77,000	
Gr 70	38,000	70 - 85,000	Flux-Cored Arc: AWS A5.20 E60T-X or E70T-X (except -2 and -3)
A524 Gr I	35,000	60 - 85,000	
Gr II	30,000	55 - 80,000	
A529	42,000	60 - 85,000	
A570 Gr D	40,000	55,000	
Gr E	42,000	58,000	
A573 Gr 65	35,000	65 - 77,000	
Gr 70	38,000	70 - 85,000	
<b>API Spec.</b>			
5LB	35,000	60,000	
<b>ASTM Spec.</b>			
A242 (S1.2) 0 - 3/4 in.	50,000	70,000	
(S3) 3/4 - 1-1/2 in.	46,000	67,000	
(S4.5) 1-1/2 - 4 in.	42,000	63,000	
A441 Same, except 4 - 8 in.	40,000	60,000	
A537 Class 1	46,000	65 - 90,000	
A572 Gr 42	42,000	60,000	Shielded Metal-Arc: AWS A5.1 or A5.5 E70XX
Gr 45	45,000	60,000	
Gr 50	50,000	65,000	Submerged-Arc: AWS A5.17 F7X-EXXX
Gr 55	55,000	70,000	
Gr 60	60,000	75,000	Gas Metal-Arc: AWS A5.18 E70S-X or E70U-1
A588 (S1-4) 0 - 4 in.	50,000	70,000	
(S5) 4 - 5 in.	46,000	67,000	
5 - 8 in.	42,000	63,000	
A618	50,000	65,000	Flux-Cored Arc: AWS A5.20 E70T-X (except -2 and -3)
<b>API Spec.</b>			
5LX-42	42,000	60,000	
<b>ABS Spec.</b>			
AH 33	47,000	71 - 90,000	
36	51,000	71 - 90,000	
DH 33	47,000	71 - 90,000	
36	51,000	71 - 90,000	
EH 33	47,000	71 - 90,000	
36	51,000	71 - 90,000	
<b>ASTM Spec.</b>			
A572 Gr 65	65,000	80,000	Shielded Metal-Arc: AWS A5.5 E80XX
A537 Class 2	56,000	75 - 100,000	Submerged-Arc: Grade F80
			Gas Metal-Arc: Grade E80S
			Flux-Cored Arc: Grade E80T
A514 0 - 2-1/2 in.	100,000	115 - 135,000	Shielded Metal-Arc: AWS A5.5 E110XX
2-1/2 in. and over	90,000	105 - 135,000	Submerged-Arc: Grade F110
A517	100,000	115 - 135,000	Gas Metal-Arc: Grade E110S
			Flux-Cored Arc: Grade E110T

**WELDING CARBON AND LOW-ALLOY STEEL****SECTION 6.1****WELDABILITY OF CARBON AND  
LOW-ALLOY STEELS**

	Page
Steel Specification .....	6.1-1
Specifying by Chemistry .....	6.1-1
Specifying by Mechanical Properties .....	6.1-3
Specifying by End Product .....	6.1-3
Metallurgy of a Weld Bead .....	6.1-3
Cracking — Causes and Cures .....	6.1-4
Factors Causing Underbead Cracking .....	6.1-4
The Effects of Section Thickness .....	6.1-5
The Effect of Joint Restraint .....	6.1-6
Observations on Factors Contributing to Cracking .....	6.1-9
Steels and Welding Recommendations .....	6.1-10
The Carbon Steels .....	6.1-10
Low-Carbon Steels .....	6.1-10
Medium and High-Carbon Steels .....	6.1-11
AWS Structural Steels .....	6.1-12
High-Strength Low-Alloy Structural Steels .....	6.1-12
High Yield-Strength Quenched and Tempered Alloy Steels .....	6.1-17
Low-Alloy Steels .....	6.1-20

**SECTION 6.2****WELDING CARBON AND LOW-ALLOY STEELS  
WITH THE SHIELDED METAL-ARC PROCESS**

Considerations in Electrode Selection .....	6.2-1
Fast-Freeze Electrodes .....	6.2-7
Electrode Characteristics .....	6.2-7
Welding Techniques .....	6.2-8
Fast-Fill Electrodes .....	6.2-8
Electrode Characteristics .....	6.2-9
Welding Techniques .....	6.2-9
Fill-Freeze Electrodes .....	6.2-10
Electrode Characteristics .....	6.2-10
Welding Techniques on Steel Plate .....	6.2-10
Welding Techniques with Sheet Metal .....	6.2-11

Low-Hydrogen Electrodes .....	6.2-11
Electrode Characteristics .....	6.2-11
Welding Techniques .....	6.2-11
Redrying Low-Hydrogen Electrodes .....	6.2-12
Summary of Electrodes for Mild Steel .....	6.2-13
Alloy-Steel Electrodes .....	6.2-13
General Considerations in Welding .....	6.2-15
Joint Position .....	6.2-15
Joint Geometry and Fitup .....	6.2-15
Joint Cleanliness .....	6.2-16
Electrode Size .....	6.2-17
Preheat and Interpass Temperature .....	6.2-17
Trouble-Shooting .....	6.2-17
Weld Spatter .....	6.2-18
Undercut .....	6.2-18
Rough Welding .....	6.2-18
Porosity and Surface Holes .....	6.2-18
Poor Fusion .....	6.2-19
Shallow Penetration .....	6.2-19
Cracking .....	6.2-19
Introduction to Welding Procedures .....	6.2-21
Code-Quality Procedures .....	6.2-21
Commercial-Quality Procedures .....	6.2-21
Weldability of Material .....	6.2-21
Procedure Notes .....	6.2-23
Welding Procedure Data .....	6.2-24

**SECTION 6.3****WELDING CARBON AND LOW-ALLOY STEELS  
WITH THE SUBMERGED-ARC PROCESS**

Flux and Electrode Requirements .....	6.3-1
Electrode Size .....	6.3-1
Welding Currents and Voltages .....	6.3-2
Current Type and Polarity .....	6.3-2
Welding Voltage .....	6.3-3
Travel Speed .....	6.3-5
Long-Stickout Welding .....	6.3-5
Influence of Joint Design on Submerged-Arc Procedures .....	6.3-6
Butt Welds .....	6.3-6

Fillet Welds .....	6.3-8
Lap Welds .....	6.3-9
Plug Welds .....	6.3-9
Edge Welds .....	6.3-10
Welds on Inclined Plates .....	6.3-10
Circumferential Welds .....	6.3-10
Welding with Multiple Arcs .....	6.3-13
Deep-Groove Welding with Multiple Arcs .....	6.3-14
Preventing Weld Porosity .....	6.3-15
Preventing Weld Cracking .....	6.3-18
Cracking in Fillet Welds .....	6.3-18
Cracking in Butt Welds .....	6.3-19
Wire-Feeding Equipment and Control Systems .....	6.3-19
Introduction to Welding Procedures .....	6.3-23
Code-Quality Procedures .....	6.3-23
Commercial-Quality Procedures .....	6.3-23
Strength-Only Procedures .....	6.3-23
Weldability of Material .....	6.3-23
Procedure Notes .....	6.3-24
Submerged-Arc Trouble-Shooting Guide .....	6.3-26
Welding Procedure Data .....	6.3-28

**SECTION 6.4**

**WELDING CARBON AND LOW-ALLOY STEELS WITH THE SELF-SHIELDED FLUX-CORED PROCESS**

Electrode Classification .....	6.4-1
Performance Characteristics of Self-Shielded Flux-Cored Electrodes .....	6.4-3
Equipment for Welding .....	6.4-4
Semiautomatic Operating Techniques .....	6.4-6
Operating Variables .....	6.4-7

Full-Automatic Operating Techniques .....	6.4-9
Vertical-Up Automatic Welding .....	6.4-11
Introduction to Welding Procedures .....	6.4-13
Code-Quality Procedures .....	6.4-13
Commercial-Quality Procedures .....	6.4-13
Strength-Only Procedures .....	6.4-13
Weldability of Material .....	6.4-13
Procedure Notes .....	6.4-14
Welding Procedure Data .....	6.4-17

**SECTION 6.5**

**WELDING CARBON AND LOW-ALLOY STEELS WITH THE GAS-SHIELDED FLUX-CORED PROCESS**

Electrodes .....	6.5-1
Welding Variables .....	6.5-2
Typical Procedure Data .....	6.5-4
Vertical Electrode Gas Welding .....	6.5-5

**SECTION 6.6**

**WELDING CARBON AND LOW-ALLOY STEELS WITH THE GAS METAL-ARC PROCESS**

Electrodes .....	6.6-1
Welding Variables .....	6.6-1
Joint Design .....	6.6-2
Typical Welding Procedures .....	6.6-3

**SECTION 6.7**

**WELDING CARBON AND LOW-ALLOY STEELS THE GAS TUNGSTEN-ARC PROCESS**

Electrodes .....	6.7-1
Typical Procedures .....	6.7-1

# Weldability of Carbon and Low-Alloy Steels

Carbon and low-alloy steels are the work-horse materials for construction and transportation equipment and for industrial and consumer products of many types. They comprise over 90% of total steel production, and more carbon steel is used in product manufacture than all other metals combined.

Sections 6.1 through 6.7 discuss the weldability of these important materials and the various welding processes that are used for joining them. Selection and operational considerations for each process include details on electrodes, filler wires, welding techniques and procedures, process variables, qualification requirements, welding equipment, fixtures, and other necessary information for designers, welding engineers, and weldors.

Most steels can be welded, but satisfactory joints cannot be produced in all grades with equal ease. A metal is considered to have good weldability if it can be welded without excessive difficulty or the need for special and costly procedures and the weld joints are equal in all necessary respects to a similar piece of solid metal. Weldability varies with the grade, chemistry, and mechanical properties of the steel, and, when weld joining is to be a major factor in the attachment of steel parts, weldability should be given proper attention in specifying and ordering materials for the job.

## STEEL SPECIFICATION

Several methods are used to identify and specify steels. These are based on chemistry, on mechanical properties, on an ability to meet a standard specification or industry-accepted practice, or on an ability to be fabricated into a certain type of product.

### Specifying by Chemistry

A desired composition can be produced in one of three ways: to a maximum limit, to a minimum limit, or to an acceptable range.

For economical, high-speed welding of carbon-steel plate, the composition of the steel should be within the "preferred-analysis" ranges indicated in Table 6-1. If one or more elements varies from the

TABLE 6-1. Preferred Analyses for Steels To Be Arc-Welded

Element	Composition (%)	
	Preferred	High*
Carbon	0.06 to 0.25	0.35
Manganese	0.35 to 0.80	1.40
Silicon	0.10 or less	0.30
Sulfur	0.035 or less	0.05
Phosphorus	0.030 or less	0.04

\* Additional care is required in welding of steels containing these amounts of the elements listed.

ranges shown, cost-increasing methods are usually required to produce good welding results. Thus, steels within these ranges should be used whenever extensive welding is to be done unless their properties do not meet service requirements. Published welding procedures generally apply to normal welding conditions and to the more common preferred-analysis mild steels. Low-hydrogen electrodes and processes will generally tolerate a wider range of the elements than shown in Table 6.1.

If the chemical specification of a steel falls outside of the preferred-analysis range, it is usually not necessary to use special welding procedures based on the extremes allowed by the specification. The chemistry of a specific heat, under average mill-production conditions, may be considerably below the top limits indicated in the specification. Thus, for maximum economy, welding procedures for any type of steel should be based on actual rather than allowed chemistry values. A mill test report\* can be obtained that gives the analysis of a heat of steel. From this information, a welding procedure can be established that ensures production of quality welds at lowest possible cost.

Standard carbon and alloy steels are identified by AISI (American Iron and Steel Institute), SAE

\*A mill test report is usually based on a ladle analysis and is an average for an entire heat. Most low-carbon steels are rimmed steels, widely used because of their excellent forming and deep-drawing properties. The analysis of a rimmed steel varies from the first ingot to the last ingot of a single heat and also from the top to the bottom of a single ingot. Thus, a mill test report is an average and should be interpreted as such.



TABLE 6-2. AISI Designation System for Alloy Steels

Alloy Series	Approximate Alloy Content (%)
13XX	Mn 1.60-1.90
40XX	Mo 0.15-0.30
41XX	Cr 0.40-1.10; Mo 0.08-0.35
43XX	Ni 1.65-2.00; Cr 0.40-0.90; Mo 0.20-0.30
44XX	Mo 0.45-0.60
46XX	Ni 0.70-2.00; Mo 0.15-0.30
47XX	Ni 0.90-1.20; Cr 0.35-0.55; Mo 0.15-0.40
48XX	Ni 3.25-3.75; Mo 0.20-0.30
50XX	Cr 0.30-0.50
51XX	Cr 0.70-1.15
E51100	C 1.00; Cr 0.90-1.15
E52100	C 1.00; Cr 0.90-1.15
61XX	Cr 0.50-1.10; Va 0.10-0.15 (min)
86XX	Ni 0.40-0.70; Cr 0.40-0.60; Mo 0.15-0.25
87XX	Ni 0.40-0.70; Cr 0.40-0.60; Mo 0.20-0.30
88XX	Ni 0.40-0.70; Cr 0.40-0.60; Mo 0.30-0.40
92XX	Si 1.80-2.20

(Society of Automotive Engineers), or ASTM (American Society for Testing Materials) designation systems. In the commonly used four-digit system of the AISI and SAE (Table 6-2), the last two digits indicate the middle of the carbon range. For example, in grade 1035, the 35 represents a carbon range from 0.32 to 0.38%. The first two digits indicate these carbon-steel grades:

10xx	Nonresulfurized
11xx	Resulfurized
12xx	Resulfurized and rephosphorized

A prefix "B" indicates an acid bessemer steel, an "E" indicates an electric-furnace steel. The E steels are usually alloy or stainless-steel grades. Steels without a prefix designation may be produced by basic open hearth, basic oxygen, or electric-furnace methods.

The letter "L" between the second and third digits indicates a leaded steel. The letter "B" in the same position designates a boron-treated steel. The suffix "H" refers to steels specially produced to narrow chemical and hardenability ranges.

These four-digit AISI or SAE standard steel designations apply primarily to sheet, strip, and bar products. ASTM specifications apply to most plates and structural shapes.

Some of the commonly specified elements and their effects on weldability and other characteristics of steels follow:

**Carbon** is the principal hardening element in steel. As carbon content increases, hardenability and tensile strength increase, and ductility and weldability decrease. In steels with a carbon content over

0.25%, rapid cooling from the welding temperature may produce a hard, brittle zone adjacent to the weld. Also, if considerable carbon is picked up in the weld puddle through admixture from the metal being welded, the weld deposit itself may be hard. Addition of small amounts of elements other than carbon can produce high tensile strengths without a detrimental effect on weldability. In general, carbon content should be low for best weldability.

**Manganese** increases hardenability and strength, but to a lesser extent than carbon. Properties of steels containing manganese depend principally on carbon content. Manganese content of less than 0.30% may promote internal porosity and cracking in the weld bead; cracking can also result if the content is over 0.80%.

For good weldability, the ratio of manganese to sulfur should be at least ten to one. If a steel has a low manganese content in combination with a low carbon content, it may not have been properly deoxidized. In steel, manganese combines with sulfur to form MnS, which is not harmful. However, a steel with a low Mn/S ratio may contain sulfur in the form of FeS, which can cause cracking (a "hot-short" condition) in the weld.

In general, manganese increases the rate of carbon penetration during carburizing and is beneficial to the surface finish of carbon steels.

**Sulfur** increases the machinability of steels, but reduces transverse ductility, impact toughness, and weldability. Sulfur in any amount promotes hot shortness in welding, and the tendency increases with increased sulfur. It can be tolerated up to about 0.035% (with sufficient Mn), over 0.050% it can cause serious problems. Sulfur is also detrimental to surface quality in low-carbon and low-manganese steels.

A common cause of poor welding quality that is not apparent from analyses made in the usual way is segregated layers of sulfur in the form of iron sulfide. These layers, which cause cracks or other defects at the fusion line of an arc-welded joint, can be detected by examination of a deep-etched cross section as illustrated in Fig. 6-1.



Fig. 6-1. Sulfur segregations. Dark lines in etched section indicate areas of high sulfur concentration.

**Silicon** is a deoxidizer that is added during the making of steel to improve soundness. Silicon increases strength and hardness, but to a lesser extent than manganese. It is detrimental to surface quality, especially in the low-carbon, resulfurized grades. If carbon content is fairly high, silicon aggravates cracking tendencies. For best welding conditions, silicon content should not exceed 0.10%, but amounts up to 0.30% are not as serious as high sulfur or phosphorus content.

**Phosphorus**, in large amounts, increases strength and hardness, but reduces ductility and impact strength, particularly in the higher-carbon grades. In low-carbon steels, phosphorus improves machinability and resistance to atmospheric corrosion.

As far as welding is concerned, phosphorus is an impurity, and should be kept as low as possible. Over 0.04% makes welds brittle and increases the tendency to crack. Phosphorus also lowers the surface tension of the molten weld metal, making it difficult to control.

**Copper** improves atmospheric corrosion resistance when present in excess of 0.15%. (A minimum of 0.20% is usually specified for this purpose.) Most carbon steels contain some copper as a "tramp element," up to about 0.15%. Copper content up to about 1.50% has little or no effect on the acetylene or arc-weldability of a steel, but it affects forge-weldability adversely. Copper content over 0.50% may reduce mechanical properties, however, if the steel is heat-treated.

Copper content is detrimental to surface quality, particularly in high-sulfur grades.

### Specifying by Mechanical Properties

The producer of steels specified by mechanical properties is free to alter the chemistry of the steel (within limits) to obtain the required properties. Mechanical tests are usually specified under one of these conditions: 1. Mechanical test requirements only, with no limits on chemistry. 2. Mechanical test requirements, with limits on one or more elements.

Generally, these tests have been set up according to practices approved by the SAE (Society of Automotive Engineers) or ASTM (American Society for Testing and Materials) or to the requirements of other authorized code-writing organizations, such as the ASME (American Society of Mechanical Engineers) or the API (American Petroleum Institute).

The most common tests are bend tests, hardness tests, and a series of tensile tests that evaluate modulus of elasticity, yield strength, and tensile

strength. Section 1.2 discusses some of these tests and the properties they determine. Metallurgical tests are sometimes used to measure grain size, decarburization, or inclusions. Other tests relating to end-use requirements, such as burst tests for pressure tubing, may be included in some specifications.

Most carbon steels are produced to standard specifications established by regulating bodies concerned with public welfare and safety. The largest and most influential body of this type is the ASTM. Other major groups are the SAE, the ASME, the AAR (American Association of Railroads), and the AWWA (American Water Works Association). ASTM specifications are broad, covering requirements of many industries. Most other groups prepare steel specifications for the needs and interests of their particular industries.

### Specifying by End-Product

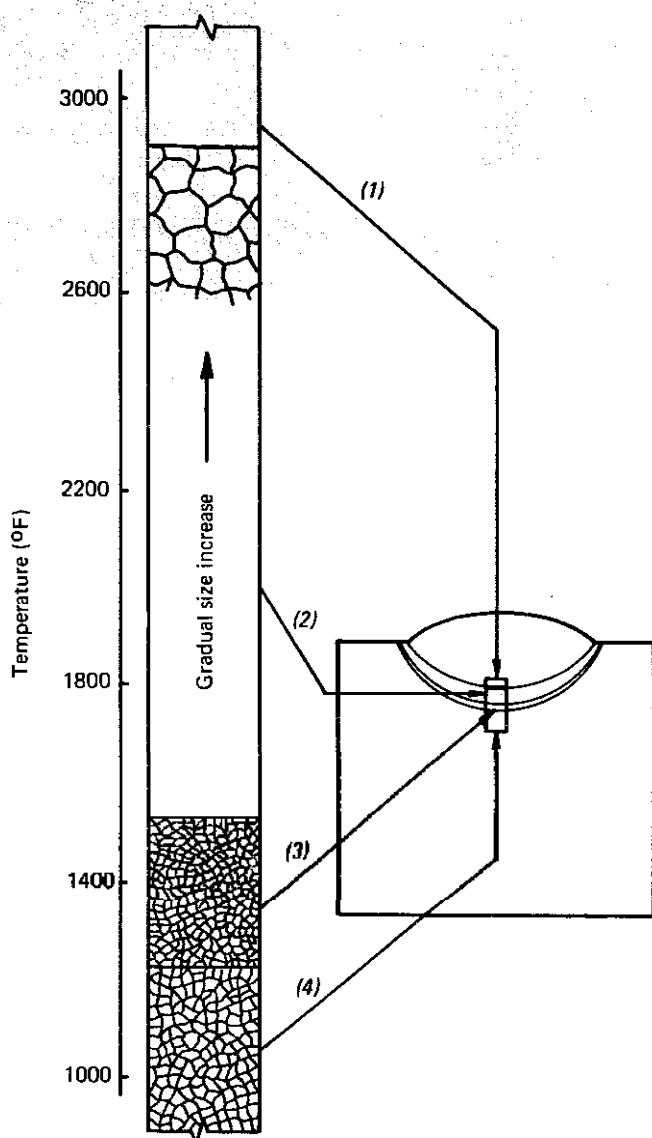
Often more important than exact mechanical properties or chemical analysis is the ability of a steel to be fabricated into a specific end product. Fabricating operations such as welding or deep drawing can change the as-delivered properties of a steel, and more than one chemical analysis or steel-making method can often produce a suitable material for the product. Consequently, many flat-rolled steel products such as plate, sheet, and strip are specified to have adequate properties for fabrication into an "identified" end product.

A specification for an identified end product tells the steel producer which fabrication processes will be used, finish requirements, and the product's service requirements.

## METALLURGY OF A WELD BEAD

The heat of welding brings about certain changes, both in the structure of the steel being welded and in the weld metal. Some of these changes occur during welding; others, after the metal has cooled.

During welding, the temperature of the molten weld metal reaches 3000°F or higher. A short distance from the weld, the temperature of the plate may be only about 600°F. When the steel reaches or exceeds certain critical temperatures between these values, changes occur that affect grain structure, hardness, and strength properties. These changes and the temperatures at which they occur are illustrated by Fig. 6-2, a schematic diagram of a section through a weld bead.



**Fig. 6-2.** Effect of welding heat on hardness and microstructure of an arc-welded 0.25% carbon steel plate. The schematic diagram represents a strip cut vertically through the weld shown. Significance of the four numbered zones are: 1. Metal that has been melted and resolidified. Grain structure is coarse. 2. Metal that has been heated above the upper critical temperature (1525°F for 0.25% carbon steel) but has not been melted. This area of large grain growth is where underbead cracking can occur. 3. Metal that has been heated slightly above the lower critical temperature (1333°F) but not to the upper critical temperature. Grain refinement has taken place. 4. Metal that has been heated and cooled, but not to a high enough temperature for a structural change to occur.

The extent of change in structure depends on the maximum temperature to which the metal is subjected, the length of time the temperature is sustained, the composition of the metal, and the rate of cooling. The principal factor that controls these changes is the amount of heat that is put into the plate — both from preheating and from the welding process.

Cooling rate affects properties along with grain size. Rapid cooling rates produce stronger, harder, and less ductile steels; slow cooling rates produce the opposite properties. With low-carbon steels, the relatively small differences in cooling rates in normal practice have negligible effects on these properties. However, with steels of higher carbon contents or those with appreciable amounts of alloying elements, the effect can be significant.

Holding the plate material at a high temperature (above the upper critical temperature) for a long time produces a structure with large grain size. During welding, however, the metal adjacent to the weld (Zone 3 in Fig. 6-2) is at the high temperature for a very short time. The result is a slight decrease in grain size and an increase in strength and hardness, compared with the base metal.

In multipass weld joints, each bead produces a grain-refining action on the preceding bead as it is reheated. However, this refining is not likely to be uniform throughout the joint.

## CRACKING — CAUSES AND CURES

Except in some weld-surfacing operations, cracks are considered deleterious. Cracking can occur either in the deposited metal or in the heat-affected zone of the base metal adjacent to the weld. The major cause of cracking in the base metal or in the weld metal is a high carbon or alloy content that increases the hardenability. High hardenability, combined with a high cooling rate, produces the brittle condition that leads to cracking. Other causes of weld cracking are: joint restraint that produces high stresses in the weld, improper shape of the weld bead, hydrogen pickup, and contaminants on the plate or electrode.

### Factors Causing Underbead Cracking

Subsurface cracks in the base metal, under or near the weld, are known as underbead cracks. Underbead cracking in the heat-affected base metal is caused by: 1. A relatively high carbon or alloy content steel that is allowed to cool too rapidly from the welding temperature. 2. Hydrogen pickup during welding.

Underbead cracking seldom occurs with the preferred-analysis steels (Table 6-1). With carbon steels above 0.35% carbon content and with the low-alloy structural-grade steels, underbead cracking can be minimized by using a low-hydrogen welding process. The problem is most severe with materials such as the heat-treated structural steels having

Most of the hydrogen escapes through the weld into the air

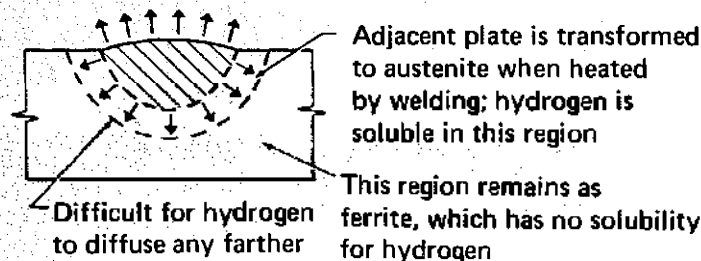


Fig. 6-3. Austenitic heat-affected zone of a weld has high solubility for hydrogen. Upon cooling, the hydrogen builds up pressure that can cause underbead cracking.

tensile strengths of 100,000 psi and higher. The discussions on specific steels include recommendations for welding these materials.

The second factor that promotes underbead cracking — the pickup and retention of hydrogen — is also influenced by the cooling rate from the welding temperature. During welding, some hydrogen — a decomposition product of moisture from the air, electrode coating, wire, flux, shielding gas, or the surface of the plate — can dissolve into the molten weld metal and from there into the extremely hot (but not molten) base metal. If cooling occurs slowly, the process reverses, and the hydrogen has sufficient time to escape through the weld into the air. But if cooling is rapid, some hydrogen may be trapped in the heat-affected zone next to the weld metal, as illustrated by Fig. 6-3. The hydrogen is absorbed and produces a condition of low ductility known as hydrogen embrittlement.

One theory suggests that the hydrogen produces a pressure, which — combined with shrinkage stresses and any hardening effect from the chemistry of the steel — causes tiny cracks in the metal immediately under the weld bead (Fig. 6-4). Similar cracks

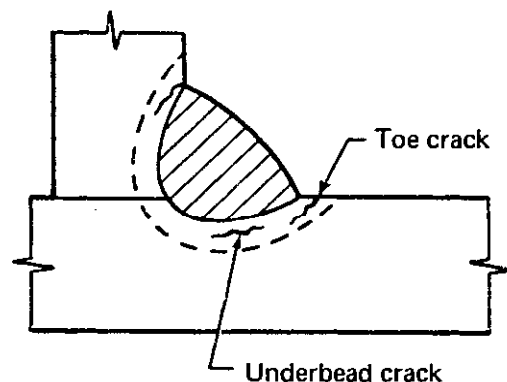


Fig. 6-4. Underbead cracking and toe cracks caused by hydrogen pickup in heat-affected zone of plate.

that appear on the plate surface adjacent to the weld are called "toe cracks."

Slower cooling (by welding slower, or by preheating) allows more of the hydrogen to escape and helps control the problem. In addition, the use of low-hydrogen welding materials eliminates the major source of hydrogen and usually eliminates underbead cracking.

Rapid cooling rates occur when the arc strikes on a cold plate — at the start of a weld with no previous weld bead to preheat the metal. The highest cooling rates occur on thick plate and in short tack welds. The effect of weld length on cooling rate can be illustrated by the time required to cool welds from 1600° to 200°F on a 3/4-in. steel plate:

2-1/2-in. weld . . . . .	1.5 min
4-in. weld . . . . .	5 min
9-in. weld . . . . .	33 min

A 9-in.-long weld made on plate at 70°F has about the same cooling rate as a 3-in. weld on a plate that has been preheated to 300°F.

Welds with large cross sections require greater heat input than smaller ones. High welding current and slow travel rates reduce the rate of cooling and decrease the likelihood of cracking.

### The Effects of Section Thickness

In a steel mill, billets are rolled into plates or shapes while red hot. The rolled members are then placed on finishing tables to cool. Because a thin plate has more surface area in proportion to its mass than a thick plate, it loses heat faster (by radiation) and cools more rapidly.

If a thick plate has the same chemistry as a thin one, its slower cooling rate results in lower tensile and yield strength, lower hardness, and higher elongation. In very thick plates, the cooling rate may be so low that the properties of the steel may not meet minimum specifications. Thus, to meet specified yield-strength levels, the mill increases the carbon or alloy content of the steels that are to be rolled into thick sections.

In welding, cooling rates of thin and thick plates are just the opposite. Because of the larger mass of plate, the weld area in a thick plate cools more rapidly than the weld area in a thin one. The heat input at the weld area is transferred, by conduction, to the large mass of relatively cool steel, thus cooling the weld area relatively rapidly. (Heat is transferred more rapidly by conduction than by radiation.) The thin plate has less mass to absorb the heat, and it cools at a slower rate. The faster cooling

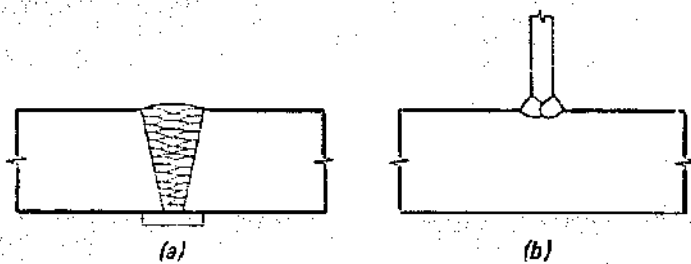


Fig. 6-5. A groove-welded butt joint in thick plate (a) requires a higher preheat, because of joint restraint, than a fillet-welded joint of a thin member and a thick plate (b). See Section 2.3 for the minimum size weld required by AWS.

of the thicker plate produces higher tensile and yield strengths, higher hardness, and lower elongation.

Welds in structural-steel shapes and plate under 1/2-in. thick have less tendency toward cracking than welds in thicker plate. In addition to the favorable (slower) cooling rate of thinner members, two other factors minimize causes of cracking:

1. Thinner plate weldments usually have a good ratio (high) of weld-throat-to-plate thickness.
2. Because they are less rigid, thinner plates can flex more as the weld cools, thus reducing restraint on the weld metal.

Thicker plates and rolled sections do not have these advantages. Because a weld cools faster on a thick member, and because the thick member probably has a higher carbon or alloy content, welds on a thick section have higher strength and hardness but lower ductility than similar welds on thin plate. If these properties are unacceptable, preheating (especially for the more critical root pass) may be necessary to reduce the cooling rate. (See Section 3.3 for a discussion of preheating.)

Because it increases cost, preheating should be used only when needed. For example, a thin web to be joined to a thick flange plate by fillet welds may not require as much preheat as two highly restrained

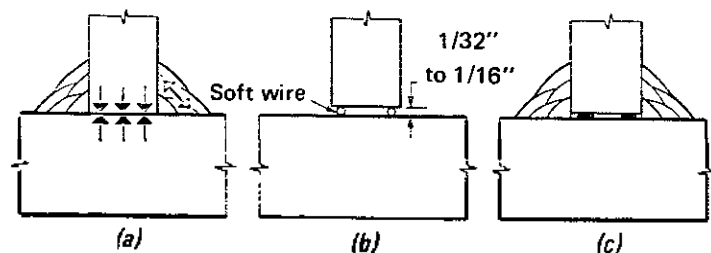


Fig. 6-6. In a restrained joint in thick plates (a), all shrinkage stress must be taken up in the weld. Separating the plates with soft wires (b) allows the plates to move slightly during cooling. The wires flatten (c) and remove most of the stress from the weld metal.

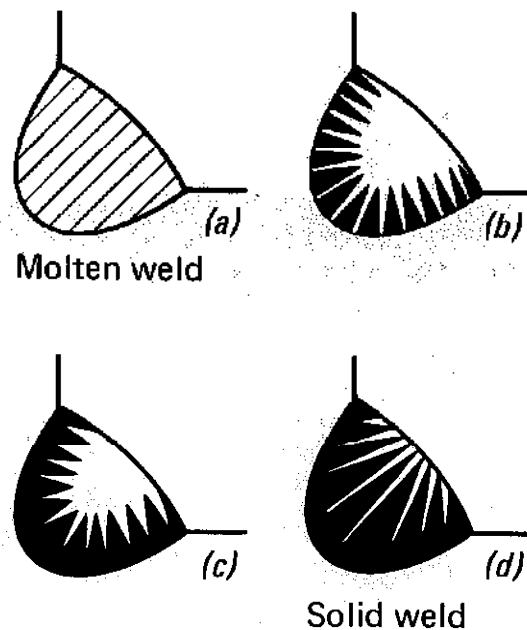


Fig. 6-7. A molten fillet weld (a) starts to solidify along the sides next to the plate (b). Solidification proceeds as shown in (c) and (d).

thick plates joined by a multiple-pass butt weld (Fig. 6-5).

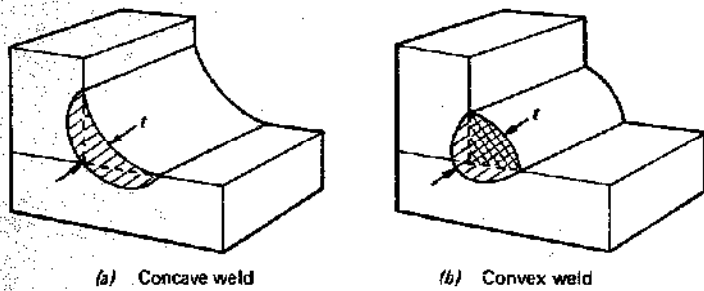
### The Effect of Joint Restraint

If metal-to-metal contact exists between thick plates prior to welding, the plates cannot move — the joint is restrained. As the weld cools and contracts, all shrinkage stress must be taken up in the weld, as illustrated in Fig. 6-6(a). This restraint may cause the weld to crack, especially in the first pass on the second side of the plate.

Joint restraint can be minimized by providing a space of 1/32 to 1/16 in. between the two members to allow movement during cooling. Such spaces or gaps can be incorporated by several simple means:

1. Soft steel wire spacers may be placed between the plates, as in Fig. 6-6(b). The wire flattens out as the weld shrinks, as shown in Fig. 6-6(c). (Copper wire should not be used because it may contaminate the weld metal).
2. Rough flame-cut edges on the plate. The peaks of the cut edge keep the plates apart, yet can deform and flatten out as the weld shrinks.
3. Upsetting the edge of the plate with a heavy center punch. Results are similar to those of the flame-cut edge.

Provision for a space between thick plates to be welded is particularly important for fillet welds.



**Fig. 6-8.** The leg size and the surface of a concave fillet weld (a) may be larger than that of a convex bead (b), but its throat,  $t$ , may be considerably smaller.

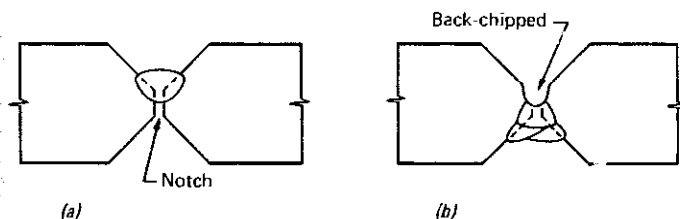
**Fillet Welds:** A molten fillet weld starts to solidify, or freeze, along the sides of the joint, as in Fig. 6-7, because the heat is conducted to the adjacent plate, which is at a much lower temperature. Freezing progresses inward until the entire weld is solid. The last material to freeze is that at the center, near the surface of the weld.

Although a concave fillet weld may appear to be larger than a convex weld (Fig. 6-8), it may have less penetration into the welded plates and a smaller throat than the convex bead. Thus the convex weld may be the stronger of the two, even though it appears to be smaller.

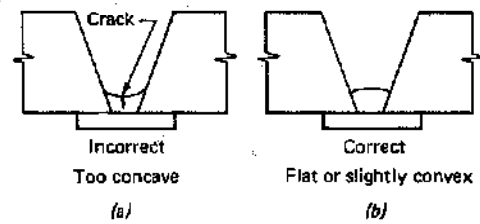
In the past, the concave weld has been preferred by designers because of the smoother stress flow it offers to resist a load on the joint. Experience has shown, however, that single-pass concave fillet welds have a greater tendency to crack during cooling than do convex welds. This disadvantage usually outweighs the effect of improved stress distribution, especially in steels that require special welding procedures.

When a concave bead cools and shrinks, the outer surface is in tension and may crack. A convex bead has considerably reduced shrinkage stresses in the surface area, and the possibility of cracking during cooling is slight. For multiple-pass fillet welds only the first pass need be convex.

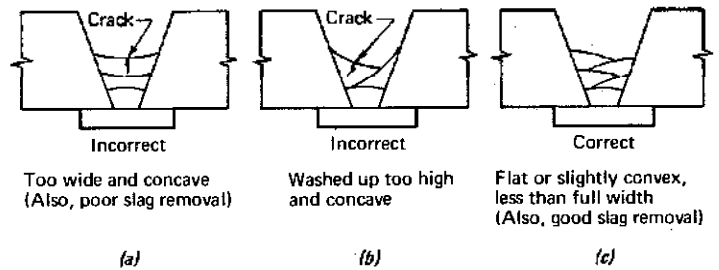
When design conditions require concave welds



**Fig. 6-9.** The root pass of a double-V joint is susceptible to cracking because of the notch effect (a). On high-quality work, the notch is minimized by backchipping (b).



**Fig. 6-10.** A concave root pass (a) may crack because tensile stresses exceed the strength of the weld metal. A slightly convex root-pass bead (b) helps prevent cracking.



**Fig. 6-11.** Wide, concave passes (a and b) in a multiple-pass weld may crack. Slightly convex beads (c) are recommended.

for smooth flow of stresses in thick plate, the first bead (usually three or more passes are required) should be slightly convex. The others are then built up to the required shape.

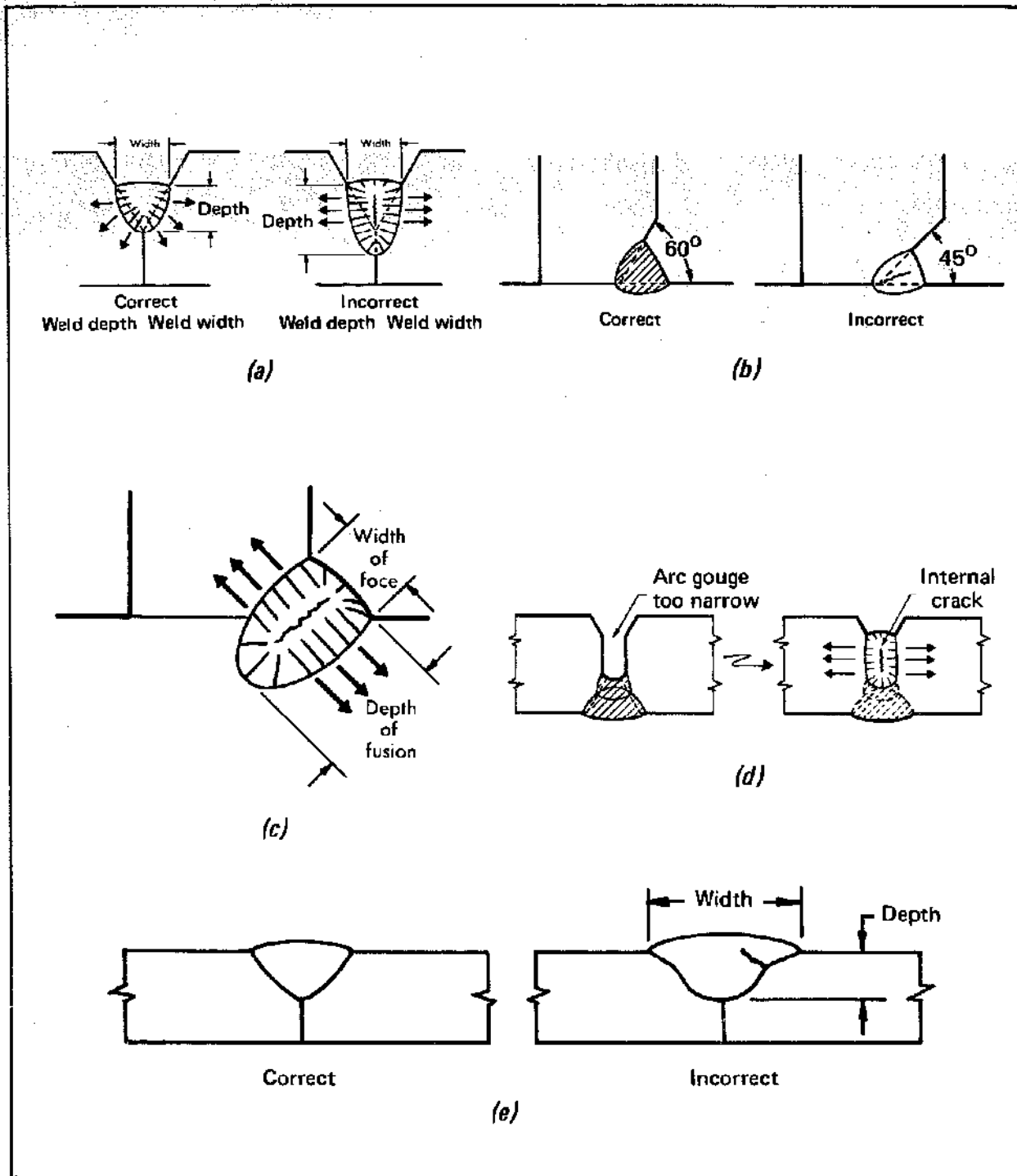
**Groove Welds:** The root pass of a groove weld in heavy plate usually requires special welding procedures. For example, the root pass on the first side of a double-V joint is susceptible to cracking because of the notch, as illustrated in Fig. 6-9(a), which is a crack starter. On high-quality work, this notch is backchipped, as in Fig. 6-9(b), to:

1. Remove slag or oxides from the bottom of the groove.
2. Remove any small cracks that may have occurred in the root bead.
3. Widen the groove at the bottom so that the first bead of the second side is large enough to resist the shrinkage that it must withstand due to the rigidity of the joint.

The weld metal tends to shrink in all directions as it cools, and restraint from the heavy plates produces tensile stresses within the weld. The metal yields plastically while hot to accommodate the stresses; if the internal stresses exceed the strength of the weld, it cracks, usually along the centerline.

The problem is greater if the plate material has a higher carbon content than the welding electrode. If this is the case, the weld metal usually picks up additional carbon through admixture with the base metal. Under such conditions, the root bead is usually less ductile than subsequent beads.

A concave root bead in a groove weld, as shown in Fig. 6-10(a), has the same tendency toward crack-



**Fig. 6-12.** Internal cracking can occur when weld penetration is greater than width. Correct and incorrect proportions are shown in (a), (b), and (c). Arc-gouging a groove too narrow for its depth can cause a similar internal crack (d). Cracks can also occur when depth is too shallow (e). Width of a weld should not exceed twice its depth.

ing as it does in a fillet weld. Increasing the throat dimension of the root pass, as in Fig. 6-10(b), helps to prevent cracking. Electrodes and procedures should be used that produce a convex bead shape. A low-hydrogen process usually reduces cracking tendencies; if not, preheating may be required.

Centerline cracking can also occur in subsequent passes of a multiple-pass weld if the passes are exces-

sively wide or concave. This can be corrected by putting down narrower, slightly convex beads, making the weld two or more beads wide, as in Fig. 6-11.

**Width/Depth Ratio:** Cracks caused by joint restraint or material chemistry usually appear at the face of the weld. In some situations, however, internal cracks occur that do not reach the surface.

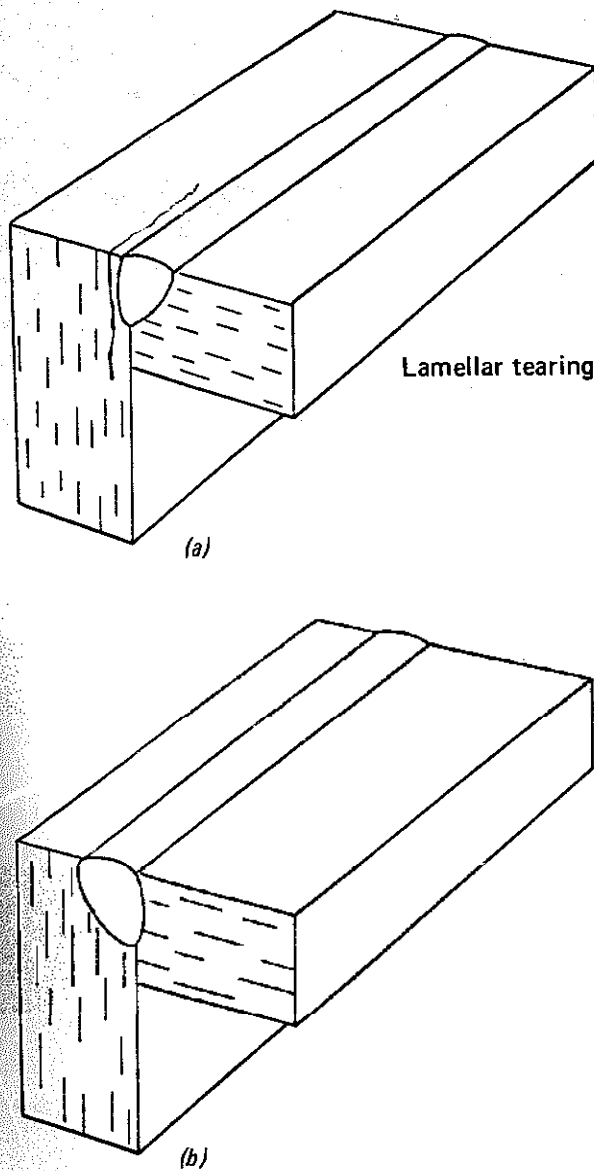


Fig. 6-13. Lamellar tearing (a) and a suggested solution (b).

These are usually caused by improper joint design (narrow, deep grooves or fillets) or by misuse of a welding process that can achieve deep penetration.

If the depth of fusion is much greater than the width of the weld face, the surface of the weld may freeze before the center does. When this happens, the shrinkage forces act on the almost-frozen center (the strength of which is lower than that of the frozen surface) and can cause a crack that does not extend to the surface. Figure 6-12(a) is illustrative.

Internal cracks can also be caused by improper joint design or preparation. Results of combining thick plate, a deep-penetrating welding process, and a  $45^\circ$  included angle are shown in Fig. 6-12(b). A similar result on a fillet weld made with deep penetration is shown in Fig. 6-12(c). A too-small bevel,

and arc-gouging a groove too narrow for its depth on the second-pass side of a double-V groove weld, can cause the internal crack shown in Fig. 6-12(d).

Internal cracks are serious because they cannot be detected by visual inspection methods. But they can be eliminated if preventive measures are used. Penetration and volume of weld metal deposited in each pass can be controlled by regulating welding speed and current and by using a joint design which establishes reasonable depth-of-fusion requirements. Recommended ratios of width of each individual bead to depth of fusion are between 1.2 to 1 and 2 to 1.

A different type of internal crack occurs in submerged-arc welding when the width-to-depth ratio is too large. Cracks in these so-called "hat-shaped" welds are especially dangerous because radiographic inspection may not detect them. The width-to-depth ratio of any individual bead should not exceed 2:1.

Lamellar cracking or tearing is illustrated in Fig. 6-13. In (a), the shrinkage forces on the upright member are perpendicular to the direction in which the plate was rolled at the steel mill. The inclusions within the plate are strung out in the direction of rolling. If the shrinkage stress should become high enough, lamellar tear might occur by the progressive cracking from one inclusion to the next. A way to prevent this is illustrated in Fig. 6-13(b). Here, the bevel has been made in the upright plate. The weld now cuts across the inclusions, and the shrinkage forces are distributed, rather than applied to a single plane of inclusions.

#### Observations on Factors Contributing to Cracking

Two articles<sup>1,2</sup> appearing in the *Welding Journal* in 1964 summarize several of the factors confirmed by research as contributory to weld cracking:

1. The contraction forces of multiple-pass welds tend to cause separations in the base metal and they generally increase with the strength and/or hardenability of the filler metal and base metals. Therefore, softer weld metal would tend to decrease not only weld metal cracks but also heat-affected zone cracks and lamellar tearing.
2. The susceptibility to delayed cracking is proportional to the hydrogen content of the welding atmosphere.

<sup>1</sup>"Weld Cracking Under Hindered Contraction: Comparison of Welding Processes." Travis, Barry, Moffat, and Adams, MIT. *Welding Journal*, November, 1964

<sup>2</sup>"Delayed Cracking in Steel Weldments," Interrante and Stout, *Welding Journal*, April, 1964.



3. Greater crack sensitivity is exhibited by high-chemistry base metal and by heavier plate thicknesses.
4. In general, cracking will initiate in the heat-affected zone of the base metal, except in cases where the weld metal is of higher hardness.
5. With an open-arc or even a shielded-arc manual electrode, it can be assumed that in hot humid weather the arc atmosphere will contain more hydrogen as water vapor than in cool, dry weather. Any tendency to minimize the importance of preheat, of keeping the joint hot, or possibly of postheat in hot summer months, could be at the root of cracking problems on heavy restrained joints. This would be especially true if either the weld metal or the base metal is hardenable because of alloy or carbon content.

Low heat input with interruptions in the welding cycle tends to aggravate the problem.

The welding position and its influence on bead size, heat input, number of layers, etc., has a direct influence on the cracking tendency. For example, three-o'clock groove welds are more sensitive to cracking than flat-position groove welds.

## STEELS AND WELDING RECOMMENDATIONS

### The Carbon Steels

Classification of the carbon steels is based principally on carbon content. The groups are: low-carbon (to 0.30% carbon), medium-carbon (0.30 to 0.45%), and high-carbon (more than 0.45%). The first group is sometimes subdivided into the very-low-carbon steels (to 0.15%) and the mild steels (0.15 to 0.30%). Standard SAE compositions of carbon steels, applicable to structural shapes, plate, strip, sheet, and welded tubing are listed in Table 6-3.

Mechanical properties of hot-finished steels are influenced principally by chemical composition (particularly carbon content), but other factors — finishing temperature, section size, and the presence of residual elements — also affect properties. A 3/4-in. plate, for example, has higher tensile properties and lower elongation than a 1-1/2-in. plate of the same composition. This results from the higher rate of cooling of the 3/4-in. plate from the rolling temperature. Typical tensile properties of hot-rolled and cold-finished low-carbon steels are listed in Table 6-4.

TABLE 6-3. Compositions of Carbon Steels

SAE Number	Chemical Composition Limits (%)			
	C	Mn	P, max.	S, max.
1005	0.06 max.	0.35 max.	0.040	0.050
1006	0.08 max.	0.25-0.40	0.040	0.050
1008	0.10 max.	0.30-0.50	0.040	0.050
1010	0.08-0.13	0.30-0.60	0.070	0.050
1011	0.08-0.13	0.60-0.90	0.040	0.050
1012	0.10-0.15	0.30-0.60	0.040	0.050
1013	0.11-0.16	0.50-0.80	0.040	0.050
1015	0.13-0.18	0.30-0.60	0.040	0.050
1016	0.13-0.18	0.60-0.90	0.040	0.050
1017	0.15-0.20	0.30-0.60	0.040	0.050
1018	0.15-0.20	0.60-0.90	0.040	0.050
1019	0.15-0.20	0.70-1.00	0.040	0.050
1020	0.18-0.23	0.30-0.60	0.040	0.050
1021	0.18-0.23	0.60-0.90	0.040	0.050
1022	0.18-0.23	0.70-1.00	0.040	0.050
1023	0.20-0.25	0.30-0.60	0.040	0.050
1025	0.22-0.28	0.30-0.60	0.040	0.050
1026	0.22-0.28	0.60-0.90	0.040	0.050
1029	0.25-0.31	0.60-0.90	0.040	0.050
1030	0.28-0.34	0.60-0.90	0.040	0.050
1035	0.32-0.38	0.60-0.90	0.040	0.050
1037	0.32-0.38	0.70-1.00	0.040	0.050
1038	0.35-0.42	0.60-0.90	0.040	0.050
1039	0.37-0.44	0.70-1.00	0.040	0.050
1040	0.37-0.44	0.60-0.90	0.040	0.050
1042	0.40-0.47	0.60-0.90	0.040	0.050
1043	0.40-0.47	0.70-1.00	0.040	0.050
1044	0.43-0.50	0.30-0.60	0.040	0.050
1045	0.43-0.50	0.60-0.90	0.040	0.050
1046	0.43-0.50	0.70-0.90	0.040	0.050
1049	0.46-0.53	0.60-0.90	0.040	0.050
1050	0.48-0.55	0.60-0.90	0.040	0.050
1053	0.48-0.55	0.70-1.00	0.040	0.050
1055	0.50-0.60	0.60-0.90	0.040	0.050
1060	0.55-0.65	0.60-0.90	0.040	0.050
1064	0.60-0.70	0.50-0.80	0.040	0.050
1065	0.60-0.70	0.60-0.90	0.040	0.050
1069	0.65-0.75	0.40-0.70	0.040	0.050
1070	0.65-0.75	0.60-0.90	0.040	0.050
1074	0.70-0.80	0.50-0.80	0.040	0.050
1075	0.70-0.80	0.40-0.70	0.040	0.050
1078	0.72-0.85	0.30-0.60	0.040	0.050
1080	0.75-0.88	0.60-0.90	0.040	0.050
1084	0.80-0.93	0.60-0.90	0.040	0.050
1085	0.80-0.93	0.70-1.00	0.040	0.050
1086	0.80-0.93	0.30-0.50	0.040	0.050
1090	0.85-0.98	0.60-0.90	0.040	0.050
1095	0.90-1.03	0.30-0.50	0.040	0.050

From the 1969 SAE Handbook. Some grades have wider ranges when producing steel for structural sheet and welded tubing.

### Low-Carbon Steels

In general, steels with carbon contents to 0.30% are readily joined by all common arc-welding processes. These grades account for the greatest tonnage of steels used in welded structures. Typical applications include tanks, structural assemblies, vessels, machine bases, earth-moving and agricultural

**TABLE 6-4. Typical Minimum Mechanical Properties of Carbon-Steel Bars**

AISI or SAE No.	Condition*	Tensile Strength (1000 psi)	Yield Strength (1000 psi)	Elongation in 2 in. (%)
1010	HR	47	26	28
	CF	53	44	20
1015	HR	50	28	28
	CF	56	47	18
1020	HR	55	30	25
	CF	61	51	15
1025	HR	58	32	25
	CF	64	54	15
1030	HR	68	38	20
	CF	76	64	12
1035	HR	72	40	18
	CF	80	67	12
1040	HR	76	42	18
	CF	85	71	12
1045	HR	82	45	16
	CF	91	77	12
1050	HR	90	50	15
	CF	100	84	10

\* HR = hot rolled; CF = cold finished.

Data from ASM Metals Handbook, 8th Ed., Vol. 1.

equipment, and general weldments.

Steels with very low carbon content — to 0.13% — are good welding steels, but they are not the best for high-speed production welding. The low carbon content and the low manganese content (to 0.30%) tend to produce internal porosity. This condition is usually corrected by modifying the welding procedure slightly — usually by using a slower speed. If the presence of some internal porosity has no detrimental effect on service requirements of the assembly, standard high-speed welding procedures can be used.

Steels with very low carbon content are more ductile and easier to form than higher-carbon steels. They are used for applications requiring considerable cold forming, such as stampings or rolled or formed shapes.

Steels with 0.15 to 0.20% carbon content have excellent weldability. They seldom require anything beyond standard welding procedures, and they can be welded with all types of mild-steel electrodes. These steels should be used for maximum production speed on assemblies or structures that require extensive welding.

Steels at the upper end of the low-carbon range — the 0.25 to 0.30% carbon grades — have very good weldability, but when one or more of the elements is on the high side of permissible limits, cracking can

result, particularly in fillet welds. With slightly reduced speeds and currents, any of the standard electrodes can be used for these steels. In thicknesses to 5/16 in., standard procedures apply.

If some of the elements — particularly carbon, silicon, or sulfur — are on the high side of the limits, surface holes may form. Reducing current and speed minimizes this problem.

Although most welding applications of these steels require no preheating, heavy sections (2-in. or more) and certain joint configurations may require a preheat. Less preheating is required when low-hydrogen processes are used. In general, steels in the 0.25 to 0.30% carbon range should be welded with low-hydrogen electrodes or with a low-hydrogen process if the temperature is below 50°F.

### Medium and High-Carbon Steels

Because hardenability of steel increases with carbon content, the medium and high-carbon steels serve where hardness, wear resistance, or higher strength are needed. Important uses for medium-carbon steels (to 0.45%) include wear plates, springs, and components for railroad, agricultural, and earth-moving and materials-handling equipment.

Unfortunately, the same characteristics that make these steels so suitable for use in rugged parts and structures make them more difficult and costly to weld. The medium-carbon steels can be welded successfully, however, provided proper procedures and preheat and interpass temperatures are used. Sometimes, postweld stress relief may be required.

The high-carbon steels are almost always used in a hardened condition. Typical applications are for metalworking and woodworking tools, drills, dies, and knives, and for abrasion-resistant parts such as plowshares and scraper blades. Some farm equipment is built from rerolled rail stock (0.65% C), which is welded in the as-rolled condition, using preheating, interpass heating, and postweld stress relief.

Hardness of these steels can range from dead soft in the annealed condition to Rockwell C 65 (with rapid quench treatment) for the higher-carbon grades. Although an AISI 1020 steel can be made as hard as Rc 50, hardness is very shallow. Increased carbon content increases depth of hardening and maximum attainable hardness to about Rc 65. Alloying elements increase depth of hardening but have little effect on maximum hardness possible.

It is advisable to make sample weld tests to determine cracking tendencies of steels containing 0.30% or more carbon. If such tendencies are appar-

ent, preheating of the steel may be necessary to retard the cooling rate from the welding temperature. Required preheat temperature varies with analysis, size, and shape of the steel and with the amount of heat input from the welding process. In general, the higher the carbon or alloy content and the thicker the plate, the higher the preheat temperature needed to provide the slow cooling rate required to prevent hardening. For shop calculation, a Preheat Calculator — available from The Lincoln Electric Company at a nominal cost — is a handy tool for determining preheat requirements of various thicknesses of common-analysis steels. (See Section 3.3.)

Use of low-hydrogen processes can minimize the degree of preheating necessary and, in 14-gage and thinner materials, can eliminate the need for preheating entirely. As a rule of thumb, preheat temperatures used with low-hydrogen electrodes can be 100 to 200°F lower than those needed for electrodes other than low-hydrogen.

### **AWS Structural Steels**

The American Welding Society does not write specifications for structural steel but does recognize many steels specified by ASTM, API, and ABS as suitable for welded structures with the various arc welding processes. Table 6-6 shows a list of these steels with the mechanical property requirements and the proper filler metals for welding. Since the table does not contain the complete mechanical property or chemical requirements it is suggested the reader consult the original specification for further information.

In general, these steels have maximum limits on carbon sulfur and phosphorous. Manganese may be specified as a range or in a maximum amount. Small amounts of other alloys may be added in order to meet the mechanical property requirements. All the steels listed in Tabel 6-6 have satisfactory weldability characteristics but some may require special procedures or techniques, such as limited heat input or minimum preheat and interpass temperatures. Some structural steels are not intended for arc welding. For example, A440 is intended primarily for riveted or bolted structures, see Table 6-5.

### **High-Strength Low-Alloy Structural Steels**

Higher mechanical properties and, usually, better corrosion resistance than the structural carbon steels are characteristics of the high-strength low-alloy (HSLA) steels. These improved properties are achieved by additions of small amounts of alloying elements. Some of the HSLA types are carbon-manganese steels; others contain different alloy additions, governed by requirements for weldability, formability, toughness, or economy. Strength of these steels is between those of structural carbon steels and the high-strength quenched-and-tempered steels.

High-strength low-alloy steels are usually used in the as-rolled condition, although some are available that require heat treatment after fabrication. These steels are produced to specific mechanical-property requirements rather than to chemical compositions. Minimum mechanical properties available in the as-rolled condition vary among the grades and, within most grades, with thickness. Ranges of properties available in this group of steels are:

1. Minimum yield point from 42,000 to 70,000 psi.
2. Minimum tensile strength from 60,000 to 85,000 psi.
3. Resistance to corrosion, classed as: equal to that of carbon steels, twice that of carbon steels, or four to six times that of carbon steels.

The HSLA steels are available in most commercial wrought forms and are used extensively in products and structures that require higher strength-to-weight ratios than the carbon structural steels offer. Typical applications are supports and panels for truck bodies, railway cars, mobile homes, and other transportation equipment; components for tractors, threshers, fertilizer spreaders, and other agricultural machinery; materials-handling and storage equipment; and buildings, bridge decks, and similar structures.

The high-strength low-alloy steels should not be confused with the high-strength quenched-and-tempered alloy steels. Both groups are sold primarily on a trade-name basis, and they frequently share the same trade-name, with different letters or numbers being used to identify each. The quenched-and-tempered steels are full-alloy steels that are heat-treated at the mill to develop optimum properties. They are generally martensitic in structure, whereas the HSLA steels are mainly ferritic steels; this is the clue to the metallurgical and fabricating differences

**TABLE 6-5. Specifications for High-Strength Low-Alloy Steels**

Specification or Practice	Coverage
<b>ASTM</b>	
A-242	42,000 to 50,000-psi yield-point steels with atmospheric corrosion resistance equal to twice (with copper) or four or more times that of structural carbon steels. The more corrosion-resistant grades are used as "weathering steels."
A-374	Cold-rolled sheets and strip with 45,000-psi yield point; similar in many respects to A-242.
A-375	Hot-rolled sheets and strip with 50,000-psi yield point; similar in many respects to A-242.
A-440	Intermediate-manganese steels with 42,000 to 50,000-psi yield points. Copper additions provide atmospheric corrosion resistance double that of carbon steel. Good abrasion resistance; only fair weldability. Used primarily for riveted or bolted products.
A-441	Manganese-vanadium steels with 40,000 to 50,000-psi yield points. Copper additions provide atmospheric corrosion resistance double that of carbon steel. Lower manganese and carbon; therefore, improved weldability over A-440 steels.
A-572	Columbium-vanadium-nitrogen grades with six yield points from 42,000 to 65,000 psi. Grades with copper additions for improved atmospheric corrosion resistance are available. Modifications high in columbium may have excellent low-temperature notch toughness when produced to fine-grain practice (by roller quenching or normalizing).
A-588	Similar in most respects to A-242 steels, except that a 50,000-psi yield-point minimum is provided up to 4 in. thick and material up to 8 in. thick and is covered in the specification. Has four times the atmospheric corrosion resistance of carbon steel.
<b>SAE (Recommended Practice — not a specification)</b>	
J410b	Covers all major HSLA types, with yield strengths from 42,000 to 70,000 psi. Unlike ASTM, SAE gives greater attention to formability, toughness, and weldability. However, ASTM specs give wider coverage of mill forms and larger section thicknesses.
<b>DoD</b>	
Mil-S-7809A (May 3, 1963)	Covers HSLA steels in bars, shapes, sheets, strip, and plates.
Mil-S-13281B (Oct. 10, 1966)	Covers carbon, alloy, and HSLA steels for welded structures.

Source: "High-Strength Low-Alloy Steels", *Machine Design*, Feb. 17, 1972.

between the two types. In the as-rolled condition, ferritic steels are composed of relatively soft, ductile constituents; martensitic steels have hard, brittle constituents that require heat treatment to produce their high-strength properties.

Strength in the HSLA steels is achieved instead

by relatively small amounts of alloying elements dissolved in a ferritic structure. Carbon content rarely exceeds 0.28% and is usually between 0.15 and 0.22%. Manganese content ranges from 0.85 to 1.60%, depending on grade, and other alloy additions — chromium, nickel, silicon, phosphorus, copper, vanadium, columbium, and nitrogen — are used in amounts less than one percent. Welding, forming, and machining characteristics of most grades do not differ markedly from those of the low-carbon steels.

To be weldable, the high-strength steels must have enough ductility to avoid cracking from the rapid cooling inherent in welding processes. Weldable HSLA steels must be sufficiently low in carbon, manganese, and all "deep-hardening" elements to ensure that appreciable amounts of martensite are not formed upon rapid cooling. Superior strength is provided by solution of the alloying elements in the ferrite of the as-rolled steel. Corrosion resistance is also increased in certain of the HSLA steels by the alloying additions.

Addition of a minimum of 0.20% copper usually produces steels with about twice the atmospheric corrosion resistance of structural carbon steels. Steels with four to six times the atmospheric corrosion resistance of structural carbon steels are obtained in many ways, but, typically, with additions of nickel and/or chromium, often with more than 0.10% phosphorus. These alloys are usually used in addition to the copper.

Standard specifications or recommended practices covering the major types of HSLA steels are available from the American Society for Testing and Materials, the Society of Automotive Engineers, and the Department of Defense. These standards are summarized in Table 6-5.

Other standardizing organizations such as the American Institute of Steel Construction, The American Association of Railroads, and the Department of Transportation have established specifications or practices for the use of HSLA steels in certain industries and applications.

ASTM's specifications are oriented principally to mill form and mechanical properties; SAE's recommended practices include, in addition, information on fabrication characteristics — toughness, weldability, and formability.

#### *ASTM Specifications*

Five ASTM specifications cover the high-strength low-alloy structural steels. They are: A242, A440, A441, A572, and A588. Table 6-6 lists the

TABLE 6-6. Minimum Mechanical Properties for ASTM HSLA Steels Approved for Use by AISC Specifications for the Design, Fabrication, and Erection of Structural Steel for Buildings (1969) AWS Building Code D1.0-69 (Revised 1970)

A36 ASTM GRADE and Descriptive Information	Mechanical Properties			Material Shape	Thickness Group Or Grade	Chemical Requirements (Ladle) Percent						
	Tensile Strength† (ksi min.)	Yield Point (ksi min.)	Elongation in 2 in. % min.			C Max.	Mn† Max.	P Max.	S Max.	Si †	Cu Min.	V Min.
Structural Steel	58 to 80	36	23	Shapes		0.26	—	0.04	0.05	—	0.20*	
	58 to 80	36	23	Plate	to 3/4 incl.	0.25	—	0.04	0.05	—	0.20*	
	58 to 80	36	23		over 3/4 to 1-1/2 incl.	0.25	0.80 - 1.20	0.04	0.05	—	0.20*	
	58 to 80	36	23		over 1-1/2 to 2-1/2 incl.	0.26	0.80 - 1.20	0.04	0.05	0.15 - 0.30	0.20*	
	58 to 80	36	23		over 2-1/2 to 4" incl.	0.27	0.85 - 1.20	0.04	0.05	0.15 - 0.30	0.20*	
	58 to 80	36	23		over 4 to 8 incl.	0.29	0.85 - 1.20	0.04	0.05	0.15 - 0.30	0.20*	
	58 to 80	36	23		Bars & Bar Shapes	to 3/4" incl.	0.26	—	0.04	0.05	—	0.20*
	58 to 80	36	23	over 3/4" to 1-1/2" incl.		0.27	0.60 - 0.90	0.04	0.05	—	0.20*	
	58 to 80	36	23	over 1-1/2" to 4" incl.		0.28	0.60 - 0.90	0.04	0.05	—	0.20*	
<b>A53</b> GRADE B Welded & Seamless Steel Pipe electric resistance or seamless (only chemistry limit is phosphorous)	60 min.	35	**		B			**				
<b>A242</b> High Strength Low Alloy Structural Steel  (other alloying elements may be added.) If C <sub>max</sub> ≤ 0.15, Mn <sub>max.</sub> can be raised to 1.40	70 min.	50	**	Plates & Bars	to 3/4" incl.	0.22	1.25		0.05			
	67 min.	46	**		over 3/4 to 1-1/2 incl.	0.22	1.25		0.05			
	63 min.	42	24		over 1-1/2 to 4" incl.	0.22	1.25		0.05			
	70 min.	50	**	Struc. Shapes	I	0.22	1.25		0.05			
	67 min.	46	**		II	0.22	1.25		0.05			
	63 min.	42	24		III	0.22	1.25		0.05			
<b>A375</b> High Strength, Low Alloy Hot Rolled Steel Sheet Strip  When used for welding, the chemistry shall be checked for weldability based on evidence acceptable to the buyer	70 min.	50	22			0.22	1.25		0.05			
<b>A441</b> High Strength Low Alloy Structural Manganese Vanadium Steel	70 min.	50	**	Plates & Bars	to 3/4" incl.	0.22	.85 - 1.25	0.04	0.05	0.30	0.20	0.02
	67 min.	46	**		over 3/4" 1-1/2" incl.	0.22	.85 - 1.25	0.04	0.05	0.30	0.20	0.02
	63 min.	42	24		over 1-1/2" to 4" incl.	0.22	.85 - 1.25	0.04	0.05	0.30	0.20	0.02
	60 min.	40	24		over 4" to 8" incl.	0.22	.85 - 1.25	0.04	0.05	0.30	0.20	0.02
	70 min.	50	**	Struc. Shapes	I	0.22	.85 - 1.25	0.04	0.05	0.30	0.20	0.02
	67 min.	46	**		II	0.22	.85 - 1.25	0.04	0.05	0.30	0.20	0.02
	63 min.	42	24		III	0.22	.85 - 1.25	0.04	0.05	0.30	0.20	0.02
<b>A500</b> Cold-Formed Welded and Seamless Carbon Steel Structural Tubing in Rounds and Shapes	45 min.	33	25	Round Structural Tubing	A	0.26		0.04	0.05		0.20*	
	58 min.	42	23		B	0.26		0.04	0.05		0.20*	
	45 min.	39	25	Shaped Struc. Tub.	A	0.26		0.04	0.05		0.20*	
	58 min.	46	23		B	0.26		0.04	0.05		0.20*	
<b>A501</b> Hot-Formed Welded and Seamless Carbon Steel Structural Tubing.	58 min.	36	23			0.26		0.04	0.05		0.20*	
<b>A529</b> Structural Steel (42 ksi min. yield 1/2 in. max. thickness)	60 to 85	42	19			0.27	1.20	0.04	0.05		0.20*	
<b>A570</b> GRADES D & E Hot Rolled Carbon Steel Sheets & Strip, Struc. Quality	55 min.	40	**		D	0.25	0.60 - 0.90	0.04	0.04		0.20*	
	58 min.	42	**		E	0.25	0.60 - 0.90	0.04	0.04		0.20*	

\* When Specified

\*\* See ASTM Standards for details

† Where two figures are given this is a min-max range.

TABLE 6-6. (Continued)

ASTM GRADE and Descriptive Information	Material Shape	Thickness Or Group	Mechanical Properties			Grade	Chemical Requirements (Ladle) Percent												
			Tensile Strength† (ksi min.)	Yield Point (ksi min.)	Elonga. in 2 in. % min.		C† Max.	Mn† Max.	P Max.	S Max.	Si Max.	Ni† Max.	Cr† Max.	Mo† Max.	Cu† Max.	V† Max.	Ch Max.	Ti† Max.	Others
<b>A572</b> High-Strength Low-Alloy, Columbium-Vanadium Steels of Structural Quality Alloy content shall be in accordance with one of the following — (1) Cb 0.005-0.05 (2) V 0.01-0.10 (3) Cb(.05 max)+V 0.02-0.10 (4) N (with V) 0.015	Shapes And Plates	60 min.	42	24	42	0.21	1.35	0.04	0.05	(5)					(2)	(1)(3)		N (4)	
		60 min.	45	22	45	0.22	1.35	0.04	0.05	(5)					(2)	(1)(3)		(4)	
		65 min.	50	21	50	0.23	1.35	0.04	0.05	(5)					(2)	(1)(3)		(4)	
		70 min.	55	20	55	0.25	1.35	0.04	0.05	(5)					(2)	(1)(3)		(4)	
		75 min.	60	18	60	0.26	1.35	0.04	0.05	(5)					(2)	(1)(3)		(4)	
		80 min.	65	**	65	0.26	1.35	0.04	0.05	(5)				(2)	(1)(3)		(4)		
			(4)	(4) Ni(.015 max) when added as a supplement to V shall be reported, and the minimum ratio of V to N shall be 4 to 1. (1)(3) Cb when added either singly or in combination with V unless combined with 0.15 min Si shall be restricted to plate or bar thickness of 1/2" max, and to shapes of Table A, Group 1 of Spec A6. (5) Si (0.30 max) for shapes and plates to 1-1/2"; for grade 42 plates over 1-1/2" (0.15 - 0.30 max)															
<b>A588</b> High-Strength Low-Alloy Structural Steel with 50 ksi min. Yield Point to 4 inch Thickness	Plates And Bars	to 4" incl.	70 min.	50	21	A	0.10-0.19	0.90-1.25	0.05	0.05	0.15-0.30	-	0.40-0.63	-	0.25-0.40	0.02-0.10	-	-	-
		over 4" to 5" incl.	67 min.	46	21	B	0.10-0.20	0.75-1.25	0.04	0.05	0.15-0.30	0.25-0.50	0.40-0.70	-	0.20-0.40	0.01-0.10	-	-	-
		over 5" to 8" incl.	63 min.	42	21	C	0.15-0.20	0.80-1.35	0.04	0.05	0.15-0.30	0.25-0.50	0.30-0.50	-	0.20-0.50	0.01-0.10	-	-	-
	Shapes	Groups 1,2,3,4	70 min.	50	19	D	0.10-0.20	0.75-1.25	0.04	0.05	0.50-0.90	-	0.50-0.75	-	0.30-0.50	-	0.04	-	Zn 0.05-0.15
		Group 5	67 min.	46	19	E	0.15-0.20	1.20-1.00	0.04	0.05	0.15-0.30	0.75-1.25	-	0.10-0.25	0.50-0.80	0.05-0.10	-	-	-
						F	0.10-0.20	0.50-1.00	0.04	0.05	0.30-0.50	0.40-1.10	0.30-0.50	0.10-0.20	0.30-1.00	0.01-0.10	-	-	-
					G	0.20-0.30	1.20-0.50	0.04	0.05	0.25-0.70	0.80-1.00	0.50-1.00	0.10-0.50	0.30-0.50	-	-	0.07	-	
<b>A514</b> High-Yield-Strength, Quenched and Tempered Alloy Steel Plate, Suitable for Welding	Plate	to 3/4" incl.	115 to 135	100	18	E	0.10-0.20	0.40-0.70	0.035	0.04	0.20-0.35	-	1.40-2.00	0.40-0.60	0.20-0.40	-	-	0.04-0.10	B .0015-.005
		over 3/4" to 2-1/2" incl.	115 to 135	100	18	F	0.10-0.20	0.60-1.00	0.035	0.04	0.15-0.35	0.70-1.00	0.40-0.65	0.40-0.60	0.15-0.50	0.03-0.08	-	-	B .002-.006
		over 2-1/2" to 4" incl.	105 to 135	90	17														

† Where two figures are given this is a min-max range.

mechanical properties of these steels. Specifications A374 and A375 cover similar steels in sheet and strip form.

ASTM A242 covers HSLA structural steel shapes, plates, and bars for welded, riveted, or bolted construction. Maximum carbon content of these steels is 0.24%; typical content is from 0.09 to 0.17%. Materials produced to this specification are intended primarily for structural members where light weight and durability are important.

Some producers can supply copper-bearing steels (0.20% minimum copper) with about twice the atmospheric corrosion resistance of carbon steels. Steels meeting the general requirements of ASTM A242 but modified to give four times the atmospheric corrosion resistance of structural steels are also available. These latter grades — sometimes called "weathering steels" — are used for architectural and other structural purposes where it is desirable to avoid painting for either esthetic or economic reasons.

Welding characteristics vary according to the type of steel; producers can recommend the most weldable material and offer welding advice if the

conditions under which the welding will be done are known.

ASTM A440 covers high-strength intermediate-manganese copper-bearing HSLA steels used principally for riveted or bolted structures. These steels are not generally recommended for welding because of their relatively high carbon and manganese contents. ASTM A440 and its companion, A441, have the same minimum mechanical properties as A242.

ASTM A440 steels have about twice the atmospheric corrosion resistance of structural carbon steel and very good abrasion resistance. The high manganese content (typically, about 1.45%) tends to cause weld metal to air harden — a condition that may produce high stresses and cracks in the weld. If these steels must be welded, careful preheating (higher than for A441) is necessary.

ASTM A441 covers the intermediate-manganese HSLA steels that are readily weldable with proper procedures. The specification calls for additions of vanadium and a lower manganese content (1.25% maximum) than ASTM A440. Minimum mechanical properties are the same as A242 and A440 steels, except that plates and bars from 4 to 8-in. thick are

covered in A441.

Atmospheric corrosion resistance of this steel is approximately twice that of structural carbon steel. Another property of ASTM A441 steel is its superior toughness at low temperatures. Only shapes, plates, and bars are covered by the specification, but weldable sheets and strip can be supplied by some producers with approximately the same minimum mechanical properties.

ASTM A572 includes six grades of high-strength low-alloy structural steels in shapes, plates, and bars. These steels offer a choice of strength levels ranging from 42,000 to 65,000-psi yields (Table 6-6). Proprietary HSLA steels of this type with 70,000 and 75,000-psi yield points are also available. Increasing care is required for welding these steels as strength level increases.

A572 steels are distinguished from other HSLA steels by their columbium, vanadium, and nitrogen content. Copper additions above a minimum of 0.20% may be specified for atmospheric corrosion resistance about double that of structural carbon steels.

A supplementary requirement is included in the specification that permits designating the specific alloying elements required in the steel. Examples are the Type 1 designation, for columbium; Type 2, for vanadium; Type 3, for columbium and vanadium; and Type 4, for vanadium and nitrogen. Specific grade designations must accompany this type of requirement.

ASTM A588 provides for a steel similar in most respects to A242 weathering steel, except that the 50,000-psi yield point is available in thicknesses to at least 4 in.

### SAE Specifications

High-strength low-alloy steels are also covered in the SAE Recommended Practice J410b. This is not a standard. Rather, it is a recommended practice — a guide or memorandum from SAE to its members to help standardize their engineering practices. SAE J410b was written long before most of the HSLA steels had ASTM specifications. Its content is more general than the ASTM documents, and its intent is to guide material selection in the light of fabrication requirements. Now that ASTM has defined almost all of the HSLA steels in standard specifications, SAE J410b is seldom used as a material specification. But the SAE document is still valuable as a general guide to using the HSLA steels.

The SAE document addresses itself primarily to the specific needs of fabricators of automobiles,

TABLE 6-7. Minimum Mechanical Properties for SAE J410b HSLA Steels

Grade, Form, and Thickness	Tensile Strength (1000 psi)	Yield Strength 0.2% Offset (1000 psi)	Elongation (%)	
			2 in.	8 in.
945 A, C				
Sheet, strip	60	45	22	...
Plate, bar				
To 1/2 in.	65	45	22	18
1/2 to 1-1/2 in.	62	42	24	19
1-1/2 to 3 in.	62	40	24	19
950 A, B, C, D				
Sheet, strip	70	50	22	...
Plate, bar				
To 1/2 in.	70	50	22	18
1/2 to 1-1/2 in.	67	45	24	19
1-1/2 in. to 3 in.	63	42	24	19
945X*	60	45	22	18
950X*	65	50	22	18
955X	70	55		
960X	75	60		
965X	80	65		
970X	85	70		

\* To 3/8 in. thick.

trucks, trailers, agricultural equipment, and aircraft. This is why SAE J410b does not cover the thicker plates and heavier structural shapes. Minimum mechanical properties of commonly used steels covered by SAE J410b are listed in Table 6-7.

For mechanical-property data on materials thicker than those listed in the table, suppliers should be consulted. SAE J410b high-strength low-alloy steels may be specified as annealed, normalized, or otherwise specially prepared for forming. When this is done, mechanical properties are agreed upon between supplier and purchaser.

Each grade has chemical composition limits to control welding characteristics in a manner similar to ASTM designations. Table 6-8 lists relative formability, weldability, and toughness of the J410b steels.

TABLE 6-8. Fabrication Characteristics of SAE J410b Steels

Formability	Weldability	Toughness
945A	945A	945A
950A	950A	950A
945C, 945X	950D	950B
950B, 950X	945X	950D
950D	950B, 950X	945X, 950X
950C	945C	945C, 950C
	950C	

Alloys are listed in order of decreasing excellence; most formable, most weldable, and toughest alloys at the top.

Source: *Machine Design*, Metals Reference Issue, Dec. 14, 1967.

Grade 945A has excellent arc and resistance-welding characteristics and the best formability, weldability, and low-temperature notch toughness. It is available in sheets, strip, and light plate.

Grade 945C is a carbon-manganese steel with satisfactory arc-welding properties if proper procedures are used to prevent hardening of the weld metal. Moderate preheat is usually required, especially for thick sections. It is similar to Grade 950C, but has lower carbon and manganese content to improve arc-welding characteristics, formability, and low-temperature notch toughness, at some sacrifice in strength.

Grade 945X is a columbium or vanadium-treated carbon-manganese steel similar to 945C except for improved toughness and weldability.

Grade 950A has good weldability, low-temperature notch toughness, and formability. It is normally available only in sheet, strip, and light plate.

Grade 950B has satisfactory arc-welding properties and fairly good low-temperature notch toughness and formability.

Grade 950C is a carbon-manganese steel that can be arc welded if the cooling rate is controlled, but is unsuitable for resistance welding. Formability and toughness are fair.

Grade 950D has good weldability and fairly good formability. Its phosphorus content reduces its low-temperature properties.

Grade 950X is a columbium or vanadium-treated carbon-manganese steel similar to 950C except for somewhat improved welding and forming properties.

Several other grades are also covered by SAE J410b — higher-strength steels that have reduced formability and weldability.

Modifications of standard SAE-grade designations are also available. For example, fully killed steels made to fine-grain practice are indicated by the suffix "K." Thus, 945AK is a fully killed, fine-grain, HSLA steel with maximum ladle analysis of 0.15% carbon and a yield strength of about 45,000 psi. All grades made to K practice may not be available from all suppliers. This fine-grain practice is usually specified when low-temperature notch toughness is important.

Steels designated by the suffix "X" contain strengthening elements, such as columbium or vanadium (with or without nitrogen) added singly or in combination. These are usually made semi-killed. However, killed steel may be specified by indicating both suffixes, such as SAE 950XK.

Available HSLA-steel grades often have characteristics in excess of the specification minimums.

Literature from producer companies contains information on physical and mechanical property ranges and suggested fabricating and welding practices.

### High-Yield Strength Quenched-and-Tempered Alloy Steels

The high-yield-strength quenched-and-tempered construction steels are full-alloy steels that are treated at the steel mill to develop optimum properties. Unlike conventional alloy steels, these grades do not require additional heat treatment by the fabricator except, in some cases, for a stress relief.

These steels are generally low-carbon grades (upper carbon limit of about 0.20%) that have minimum yield strengths from 80,000 to 125,000 psi.

Some high-yield-strength grades are also available in abrasion-resistant modifications (AR steels), produced to a high hardness. Although these steels can have yield strengths to 173,000 psi, hardness (up to 400 Bhn) rather than strength is their key characteristic.

The high-yield-strength quenched-and-tempered alloy steels are used in such widely varying applications as hoist and crane components; end, side, and bottom plates for ore and waste-haulage cars, hopper cars, and gondolas; pressure hulls for submarines; and components for dust-collecting equipment. The AR (abrasion-resistant) modifications are used in applications requiring maximum resistance to abrasive materials — in chutes, hoppers, and dump-truck beds, for example. In such uses, strength properties are secondary and are not usually specified.

Good toughness can be combined with abrasion resistance in these steels, for use in buckets, cutter bars, scraper blades, and impact plates. However, the most abrasion-resistant grades sacrifice impact strength to gain maximum wear resistance.

### HY Steels

An important group of high-yield-strength quenched-and-tempered steels is the HY steels. The most common and most available of these is HY80, which has a minimum yield strength of 80,000 psi. Higher-strength grades are HY100, HY130, HY150, and HY180. Availability of HY steels with yield strengths above 100,000 psi was limited at the time of publication, but considerable development work was being done on these materials and availability was increasing.

HY80 is commonly available in plate form. However, it can also be obtained in beams, channels,



angles, and tubing. Strength and toughness of HY80 steel and its ability to be welded (under carefully controlled conditions) qualify it for use in critical applications such as pressure hulls for submarines and deep-submergence research and rescue vessels. The higher-strength HY steels will probably also qualify for the same types of applications after sufficient testing has been done to determine their reliability in welded structures.

Mechanical properties of these steels are influenced by section size. Carbon content is the principal factor that determines maximum attainable strength. Most alloying elements make a small contribution to strength, but their dominant effect is on hardenability — which determines the maximum thickness or depth of steel that can be fully hardened on quenching.

HY80 is normally supplied to the toughness requirements of MIL-S-16216. In plate 1/2 to 1-1/2-in. thick, 50 ft-lb of impact energy absorption is required at minus 120°F with a longitudinal Charpy V-notch specimen.

A typical value for the ductile-to-brittle transition temperature of a 100,000-psi steel in 1/2-in. plate is minus 180°F, as determined with both longitudinal and transverse Charpy V-notch specimens.

Many of the high-yield-strength steels are available in three or four strength or hardness levels. The different levels are achieved by variations in carbon and alloy content, tempering temperature, and tempering time.

In general, the 100,000-psi steels have fatigue strengths in the 50,000 to 70,000-psi range in rotating-beam tests. Higher-strength grades have higher endurance limits — about 60% of their tensile strength.

The compressive yield strength of 100,000-psi steels is usually about the same as tensile yield strength. Shear strength generally ranges from about 85 to 100% of the tensile yield strength.

#### *ASTM Specifications*

Two plate specifications, ASTM A514 for welded structures and A517 for boilers and other pressure vessels, allow for the effect of section size on yield strength, tensile strength, and ductility. ASTM A514 requires a minimum yield strength of 100,000 psi for material up to 2-1/2-in. thick, and 90,000 psi for material from 2-1/2 to 4 in. thick. ASTM A517 requires uniform yield strengths of 100,000 psi for all material up to 3/4-in. thick. Representative trade names of the A514 and A517

**TABLE 6-9. Representative ASTM A514/517 Steels**

Producer	Trade Name
Armco Steel Corp.	SSS-100 SSS-100A SSS-100B
Bethlehem Steel Corp.	RQ-100A, RQ-100 RQ-100B
Great Lakes Steel Corp. and Phoenix Steel Corp.*	N-A-XTRA 100 N-A-XTRA 110
Jones & Laughlin Steel Corp.	Jalloy-S-100 Jalloy-S-110
United States Steel Corp. and Lukens Steel Corp.*	T-1 T-1 Type A T-1 Type B

\* Licensee

steels are given in Table 6-9.

#### *Weldability*

Most high-yield-strength quenched-and-tempered alloy steels can be welded without preheat or post-heat. If suppliers' recommendations are followed for controlling welding procedures, 100% joint efficiency can be expected in the as-welded condition for the 90,000 and 100,000-psi yield-strength grades.

If the heat-affected zone cools too slowly, the beneficial effects of the original heat treatment (particularly notch toughness) are destroyed. This can be caused by excessive preheat temperature, interpass temperature, or heat input. On the other hand, if the heat-affected zone cools too rapidly, it can become hard and brittle and may crack. This is caused by insufficient preheat or interpass temperature or insufficient heat input during welding. Producers' recommendations should be followed closely.

The quenched-and-tempered steels can be welded by the shielded metal-arc, submerged-arc, and gas-shielded-arc processes. Weld cooling rates for these processes are relatively rapid, and mechanical properties of the heat-affected zones approach those of the steel in the quenched condition. Reheat-treatment, such as quenching and tempering after welding, is not recommended.

Because of the desirability of relatively rapid cooling after welding, thin sections of these materials can usually be welded without preheating. When preheating is required, both maximum and minimum temperatures are important. If the sections to be welded are warm as a result of preheating and heat input from previous welding passes, it may be

TABLE 6-10. Composition of ASTM A-203-69  
Nickel-Steel Plate for Pressure Vessels

Element and Plate Thickness	Composition (%)			
	Grade			
	A*	B*	D†	E†
Carbon, max				
To 2 in.	0.17	0.21	0.17	0.20
2 to 4 in.	0.20	0.24	0.20	0.23
4 to 6 in.	0.23	0.25	...	...
Manganese, max				
To 2 in.	0.70	0.70	0.70	0.70
2 to 4 in.	0.80	0.80	0.80	0.80
4 to 6 in.	0.80	0.80	...	...
Phosphorus, max	0.035	0.035	0.035	0.035
Sulfur, max	0.04	0.04	0.04	0.04
Silicon (ladle analysis)	0.15-0.30	0.15-0.30	0.15-0.30	0.15-0.30
Nickel (ladle analysis)	2.10-2.50	2.10-2.50	3.25-3.75	3.25-3.75

\* Covers plate to 6-in. thick.

† Covers plate to 4-in. thick.

necessary to reduce current or increase arc travel speed for subsequent passes, or to wait until the metal cools somewhat. Interpass temperature is just as important as preheat temperature and should be controlled with the same care.

In the ASTM specifications A514 and A517 there are several grades of quenched and tempered constructional steels listed. Welding procedures for all of these steels are similar but no one procedure is right for all grades. Welding procedures are available from the steel manufacturers. When in doubt, consult the steel manufacturer.

The following is a general shielded metal-arc procedure for one of the popular grades of quenched and tempered constructional steels and can be used as a *guide* for all grades or other welding processes.

Use only low hydrogen type electrodes and usually the electrode specified for A514 and A517 steels is E11018. Under some conditions a lower tensile strength electrode may be used and this will be discussed later. Make sure electrodes are dry. Under normal conditions of humidity electrodes should be returned to the drying ovens after an exposure of four hours maximum. If the humidity is high, reduce the exposure time. Electrodes are shipped in hermetically sealed containers and the contents of any damaged container should be redried before using. See Table 6-14 for drying temperatures.

Clean the joint thoroughly. Remove all rust and scale preferably by grinding. If the base metal has been exposed to moisture, preheat to drive off the moisture. On thin sections, allow the plate to cool, if necessary, before starting to weld.

The amount of preheat and the amount of welding heat put into the weld must be kept within definite boundaries during the actual welding. Usually preheating is not necessary or desirable on thin sections but in order to avoid cracks preheating is necessary if:

The joints are highly restrained.

The structure is very rigid.

The weld joint is on thick sections.

Whether or not the base metal is preheated, it is necessary to approximate the heat input before starting to weld. The heat input in watt-seconds (joules) per linear inch of weld is

$$\text{Heat input} = \frac{I \times E \times 60}{V}$$

where I is the arc amperes, E is the arc volts, and V is the welding speed in in./min. Calculation by this formula is only approximate because the heat losses can be large. Also, there are many variables that affect the heat distribution and the maximum temperature of the base metal at the joint but the formula is sufficiently accurate to predict the maximum allowable heat input for a given set of conditions.

In industry, the term "heat unit" is used and is equal to the watt-seconds per linear inch of weld divided by 1000.\*

\* A calculator is available from the United States Steel Corporation for quickly determining heat units. Also available are tables for maximum heat units when welding T-1, T-1 Type A, and T-1 Type B.

Maximum suggested heat units input for USS T-1 steel per linear inch of weld is shown in the table below.

Suggested Maximum Heat Units<sup>†</sup>

Preheat and Interpass Temperature	Plate Thickness							
	3/16"	1/4"	1/2"	3/4"	1"	1-1/4"	1-1/2"	2"
70°F	27	36	70	121	any	any	any	any
200°F	21	29	56	99	173	any	any	any
300°F	17	24	47	82	126	175	any	any
350°F	15	21.5	43.5	73.5	109.5	151	any	any
400°F	13	19	40	65	93	127	165	any

<sup>†</sup> From the "Welding Heat Input Calculator" by the United States Steel Corporation.

Also see Section 3-3.

Before making a production weld it is recommended to set up a tentative procedure and make a test weld. The tentative procedure includes the preheat, if any, interpass temperature, welding current, voltage, and welding speed. It is important to keep the welding current, speed and interpass temperature under close control.

The following are some general rules to follow to promote good weld quality.

Always use stringer beads, never wide weave beads.

Clean thoroughly between passes.

Use the same precautions to prevent cracking as discussed earlier in this section.

Back gouge with arc gouging and remove the scale by grinding. Do not use oxyacetylene to back gouge.

Usually the electrodes used are the E11018 type but lower strength electrodes may be specified where the stress does not require the high yield strength of E11018. A good example is the lower stress in the web to flange fillet welds. However, if lower strength electrodes are used the same limitations apply as to heat input and interpass temperature.

### Low-Alloy Steels

Small amounts of alloying elements such as nickel, chromium, and molybdenum can be added to steels to increase strength, hardness, or toughness, or to improve resistance to heat, corrosion, or other environmental factors. These improvements are sometimes gained with little effect on weldability or other fabricability characteristics. Generally, however, welding of low-alloy steels requires more careful control of procedures and selection of electrodes than welding of the carbon steels.

### Nickel Steels

A low nickel addition (2 to 5%) greatly increases strength and hardenability and improves the corrosion resistance of a steel without a proportional reduction in ductility or a significant effect on weldability. The compositions of various thicknesses of nickel-steel plate (ASTM A-203), used principally for pressure vessels, are listed in Table 6-10.

Straight nickel steels are used mainly for low-temperature pressure vessels. The nickel content significantly improves toughness and impact strength at subzero temperatures. Nickel is also very effective in improving the hardenability of steels; heat treatment is easy because nickel lowers the critical cooling rate necessary to produce hardening on quenching.

A nickel steel containing 0.24% carbon and 2.7% nickel can have a tensile strength (normalized and drawn) of over 85,000 psi; an unalloyed steel would require a carbon content of over 0.45% to be that strong. Notch toughness of a 3-1/2% nickel steel, with a tensile strength of 70,000 to 85,000 psi, would be 15 ft-lb at minus 150°F (Charpy keyhole test), whereas a carbon steel of that strength would have a notch toughness of 15 ft-lb down to only minus 50°F.

Nickel increases hardenability for a given carbon content. For best weldability and minimum cracking tendency, carbon content should, of course, be low — no more than 0.18% if extensive welding is to be done without preheat.

For specific procedures see page 6-2.54.

### Chromium Steels

In the low-alloy steels, chromium increases tensile strength, hardenability, and, to some extent, atmospheric corrosion resistance. Chromium steels with less than 0.18% carbon are readily weldable, using proper precautions against cracking. The combination of chromium and higher carbon increases hardenability and requires preheating and sometimes postheating to prevent brittle weld deposits. Production welding is not recommended for chromium steels containing more than 0.30% carbon.

### Nickel-Chromium Steels

The nickel-chromium steels of the AISI series are no longer standard alloys but occasionally there is a need to weld these alloys, especially in maintenance work.

The addition of chromium is intended to increase hardenability and response to heat treatment for a given carbon content over that of the

straight nickel low alloy steels. Also a small amount of several alloying elements judiciously chosen may give a greater range of hardenability plus toughness than a larger or more costly amount of a single alloying element.

Chromium is a potent hardening agent and it is necessary to keep the carbon content low for weldability. Thin sections of the lowest carbon content type can usually be welded without preheat but the higher carbon grades require preheat and subsequent stress relief or annealing.

The lower carbon grades of the nickel-chromium steels can be welded with electrodes of the EXX15-16-18 classes and in the as welded condition the weld properties will match the base metal. However, if the weldment must be heat treated after welding, special low-hydrogen type electrodes are required. These electrodes must deposit weld metal that will respond to the same heat treatment as the base metal and match base metal properties.

The higher carbon alloys (above .40%) are not readily welded but, if necessary, a weld can usually be made with stainless E309 (second choice E310) electrodes. The weld will usually be tough and ductile but the fusion zone may be brittle. The fact that the weld is ductile allows it to give a little without putting too much bending in the brittle zone. Preheat is advised. See Section 3-3.

### *Molybdenum Steels*

Molybdenum increases the hardenability and high-temperature strength of low-alloy steels. The low-alloy molybdenum steels are of three general types: carbon-molybdenum (AISI 4000 series), chromium-molybdenum (4100 series), and nickel-molybdenum (4300, 4600, 4700, and 4800 series).

A common use of carbon-moly and chrome-moly steels is in high-pressure piping used at high temperatures. These steels are usually purchased to an ASTM specification. Another typical use of the chrome-moly alloys — usually in the form of tubing — is in highly stressed aircraft parts. Weldability of these thin-section members is good because of the low carbon content. Low-carbon grades of these steels (below 0.18%) can usually be welded without preheat. The higher-carbon nickel and chromium grades of molybdenum steels are air-hardening.

The low carbon grades (below .18%) of carbon-moly steel can be welded much the same as mild steel. E7010-A1, E7018, and E7027-A1 electrodes will give tensile strengths in the same range as plate strength in the as-welded condition. The above electrodes with .5% moly will come close to

approximating plate properties and analysis where subsequent heat treatment is required. (See Preheat Table for steels above .18% carbon.)

When carbon content of the carbon-moly alloys is low (approximately .15%), these steels are readily weldable. In pressure vessels, this low carbon content is usually used, but in piping the carbon may be somewhat higher. Where carbon is above .18% preheating is generally required.

Welding procedure is essentially the same as for mild steel. In the case of piping, a back up ring is recommended generally to keep the inside of the pipe clean. The ring if of proper design causes only slight obstruction which is not objectionable, in most cases.

Where backing ring is not used, an experienced weldor can put in a first pass with a small reinforcement in the inside. It is important that this first pass completely penetrate the joint so that no notch is left at the root of the joint.

Stress relieving is generally specified when the thickness of the metal is greater than 3/8". Temperature of 1200° — 1250°F is used with usual procedure as to time of heating (one hour per inch of thickness) and length of pipe heated (6 times thickness on each side of weld).

The cooling rate is from 200° — 250°F per hour down to 150° — 200° F in which case cooling may be done in still air.

For the welding of the steels mentioned herein the use of E7010-A1 electrode is recommended for ease of welding in out-of-position work. The preheat and post heat treatment above is also required when E7010-A1 electrodes are used. Where the work can be positioned for downhand welding or where large welds are required in any position, the low hydrogen electrodes can be used to advantage as they will reduce the preheat temperatures required.

In applications where tensile strength of weld need not be as high as the base metal but where other physical characteristics of the weld should be comparable to the base metal, the regular type of electrode, as used for welding mild steel, can be employed with very satisfactory results. For joining work of this type, E6010 electrodes are recommended.

On light chrome-moly tubing, E6013 electrodes designed especially for aircraft work are often used. These mild steel electrodes usually pick up enough alloy from the base metal to give the required tensile strength in the as-welded condition. When welded on the AISI 4130, their normal 70,000 to 80,000 psi tensile strength is increased by pick-up of alloy

and carbon to a satisfactory approximation of the physical properties of AISI 4130. The additional thickness of weld due to the usual build-up on light gauge work makes the welded joint stronger than the parent metal.

On the higher carbon and alloy grades where heat treated welds with properties similar to plate properties are necessary, special electrodes can be used that will deposit the proper analysis. A low hydrogen type electrode is used to reduce the tendency for cracking that is quite prevalent on these steels. Preheat and post heat treatment usually will be required.

On the grades over .40% carbon where production welding is not recommended, it is possible to make a weld with E309 type stainless electrode or E310 as a second choice. The weld will be fairly ductile if the proper low penetrating procedure is used; however, the fusion zone may be very brittle depending upon the air hardenability of the alloy. Preheating and slow cooling will tend to reduce this hardness in the fusion zone.

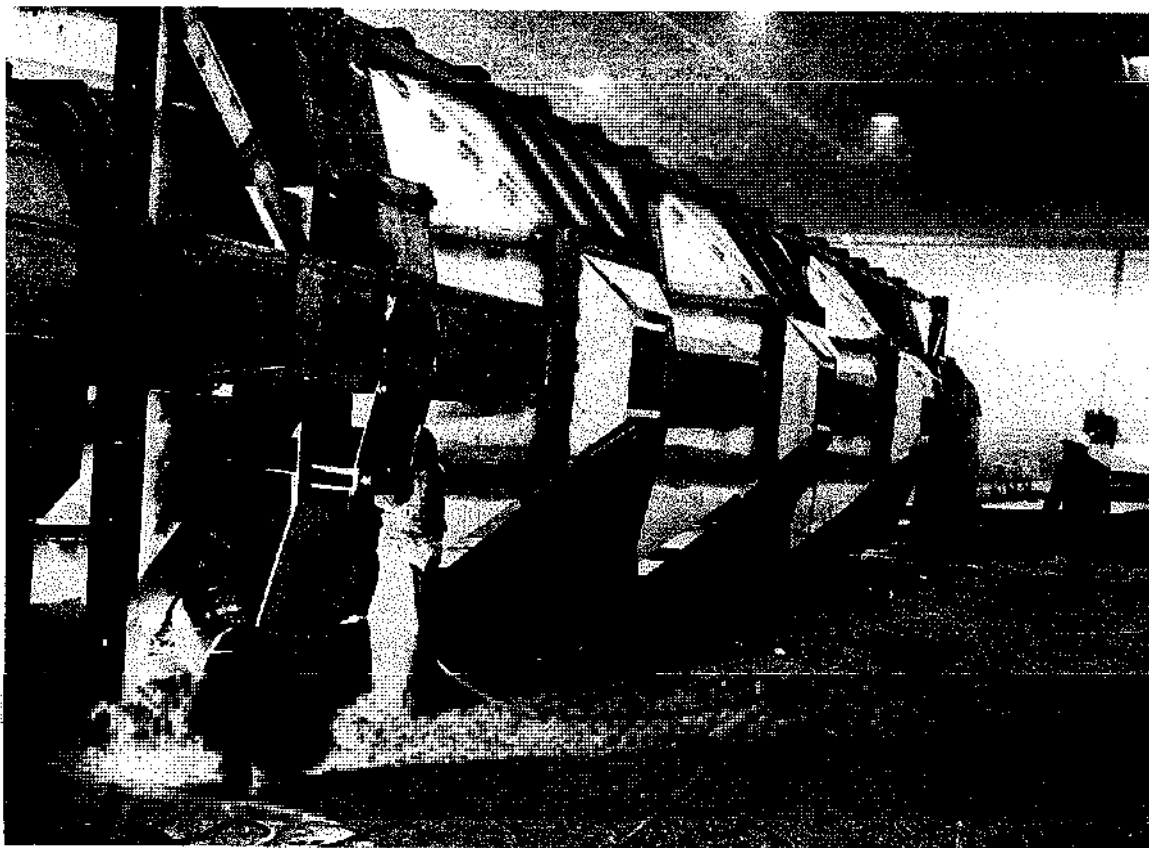
Where molybdenum is added to base metals to increase the resistance to creep at elevated temperatures, the electrode deposit must have a similar amount of molybdenum.

The following table gives the approximate preheat and interpass temperatures for AISI alloy steel bars when welded with low-hydrogen type electrodes.

**Approximate Preheat and Interpass Temperature for AISI Alloy Steel Bars\***

AISI Steel	Preheat and Interpass Temperature °F		
	section thickness, in.		
	To 1/2	1/2 - 1	1 - 2
1330	350 - 450	400 - 500	450 - 550
1340	400 - 500	500 - 600	600 - 700
4023	100 min.	200 - 300	250 - 350
4028	200 - 300	250 - 350	400 - 500
4047	400 - 500	450 - 550	500 - 600
4118	200 - 300	350 - 450	400 - 500
4130	300 - 400	400 - 500	450 - 550
4140	400 - 500	600 - 700	600 - 700
4150	600 - 700	600 - 700	600 - 700
4320	200 - 300	350 - 450	400 - 500
4340	600 - 700	600 - 700	600 - 700
4620	100 min.	200 - 300	250 - 350
4640	350 - 450	400 - 500	450 - 550
5120	100 min.	200 - 300	250 - 350
5145	400 - 500	450 - 550	500 - 600
8620	100 min.	200 - 300	250 - 350
8630	200 - 300	250 - 350	400 - 500
8640	350 - 450	400 - 500	450 - 550

\* From ASM Metal Handbook Volume 6, Eighth Edition.



This hopper car has a carbon steel frame and stainless steel hoppers. Weldors are working on the frame.

# Welding Carbon and Low-Alloy Steels with the Shielded Metal-Arc Process

Most welding on steel is done manually with shielded metal-arc (stick) electrodes. As in any manual process, the skill and dexterity of the operator are important for quality work; but equally important is selection of the correct type of electrode.

## CONSIDERATIONS IN ELECTRODE SELECTION

Choice of electrode is straightforward when welding high-strength or corrosion-resistant steels. Here, choice is generally limited to one or two electrodes designed specifically to give the correct chemical composition in the weld metal. But most arc welding involves the carbon and low-alloy steels for which many different types of electrodes provide satisfactory chemical compositions in the weld metal. From the many possibilities, the object is to pick an electrode that gives the desired quality of weld at the lowest welding cost. Usually, this means the electrode that allows the highest welding speed with the particular joint. To meet this objective, electrodes are selected according to the design and positioning of the joint.

Electrodes compounded to melt rapidly are called "fast-fill" electrodes, and those compounded to solidify rapidly are called "fast-freeze" electrodes. Some joints and welding positions require a

compromise between the fast-fill and fast-freeze characteristics, and electrodes compounded to meet this need are called "fill-freeze" electrodes. There are also electrodes which are classified as "fast follow."

The fill-freeze-follow terminology used to classify types of electrodes is also used to designate types of joints. Overhead or vertical joints that normally require fast-freeze electrodes are thus termed "freeze" joints, while flat joints and some horizontal joints, where rapid deposition is important, are called "fill" joints. Some joints, especially those in sheet metal, require an electrode that permits rapid electrode travel with minimum skips, and are thus called "follow" joints. The fill-freeze electrodes usually are best suited for follow joints, and thus, fill-freeze electrodes are called fast-follow electrodes when the reference is to joints requiring fast electrode travel.

Although the terms fill, freeze, and fill-freeze, are straightforward as applied to electrodes, use of these terms to describe types of joints is not so clear-cut. For example, some overhead "freeze" joints require a fill-freeze, rather than fast-freeze, electrode. By the same token, a "follow" joint in sheet metal may require a fast-freeze, rather than a fill-freeze, electrode. The use of these terms to identify types of joints, and the types of electrodes

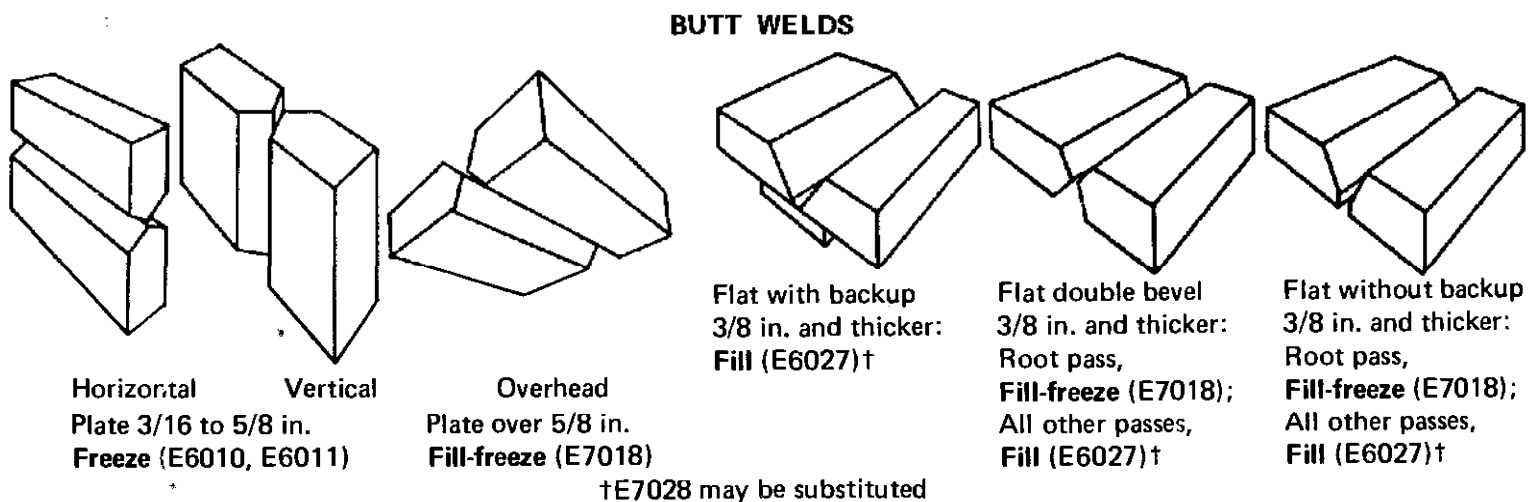


Fig. 6-14. Guide to selection of electrodes for butt welds.

## 6.2-2 Welding Carbon and Low-Alloy Steel

recommended for these joints, are explained in Fig. 6-14, 6-15, and 6-16, which show butt welds, fillet welds, and sheet-metal welds, respectively.

AWS A5.1-69 is a complete specification for mild-steel electrodes for shielded metal-arc welding (see Section 4.1). Typical mechanical properties of mild-steel deposited weld metal are given in Table 6-11.

A combination of letters and numbers used by the American Welding Society to identify the various classes of electrodes is given in Table 4-1. For a more complete description of this system see Section 4.1. Typical current ranges for all AWS A5.1 electrodes is given in Table 6-12. A guide to the application of electrodes for steels of specific ASTM designations is presented in Table 6-13.

**TABLE 6-11. Typical Mechanical Properties of Mild-Steel Deposited Weld Metal**

Electrode Classification	Condition							
	As-Welded				Stress-Relieved at 1150° F			
	Tensile Strength (psi)	Yield Strength (psi)	Elong. in 2 in. (%)	Impact* (ft-lb)	Tensile Strength (psi)	Yield Strength (psi)	Elong. in 2 in. (%)	Impact* (ft-lb)
E6010	69,000	60,000	26	55 (1)	65,000	51,000	32	75
E6011	70,000	63,000	25	50 (1)	65,000	51,000	30	90
E6012	72,000	64,000	21	43	71,000	62,000	23	47
E6013	74,000	62,000	24	55	74,000	58,000	28	
E6020	67,000	57,000	27	50				
E6027	66,000	58,000	28	40 (1)	66,000	57,000	30	80
E7014	73,000	67,000	24	55	73,000	65,000	26	48
E7015	75,000	68,000	27	90				
E7016	75,000	68,000	27	90	71,000	60,000	32	120
E7018	74,000	65,000	29	80 (1)	72,000	58,000	31	120
E7024	86,000	78,000	23	38	80,000	73,000	27	38
E7028	85,000	78,000	26	26 (2)	81,000	73,000	26	85

\* Charpy V-notch at 70°F, except where noted.

(1) Charpy V-notch at -20°F.

(2) Charpy V-notch at 0°F.

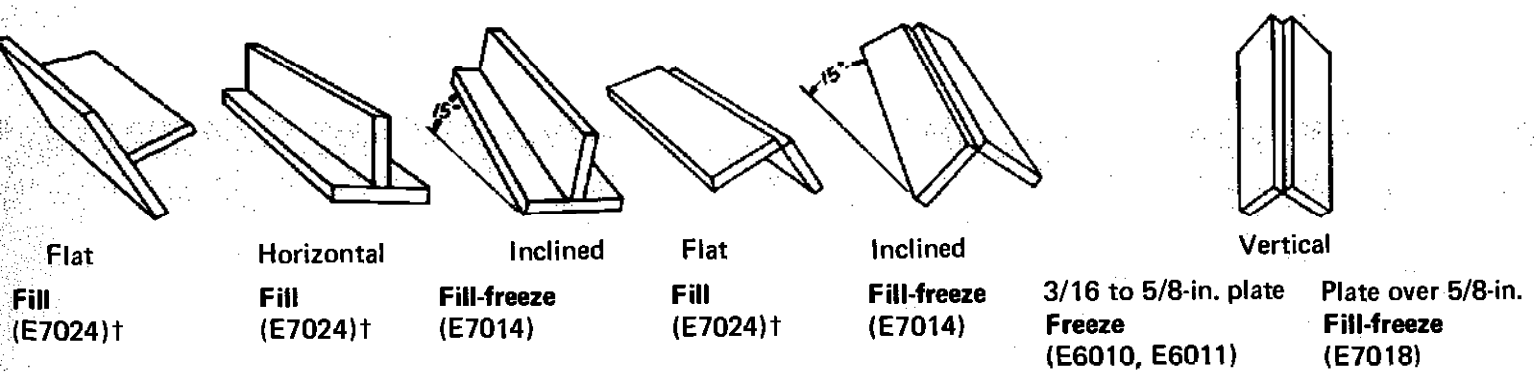
**TABLE 6-12. Typical Current Ranges for Electrodes**

Electrode Diameter (in.)	Current Range (amp)								
	Electrode Type								
	E6010, E6011 DC+	E6012	E6013	E6020	E6027	E7014	E7015, E7016	E7018	E7024, E7028
1/16	—	20 - 40	20 - 40	—	—	—	—	—	—
5/64	—	25 - 60	25 - 60	—	—	—	—	—	—
3/32	40 - 80	35 - 85	45 - 90	—	—	80 - 125	65 - 110	70 - 100	100 - 145*
1/8	75 - 125	80 - 140	80 - 130	100 - 150	125 - 185	110 - 160	100 - 150	115 - 165	140 - 190
5/32	110 - 170	110 - 190	105 - 180	130 - 190	160 - 240	150 - 210	140 - 200	150 - 220	180 - 250
3/16	140 - 215	140 - 240	150 - 230	175 - 250	210 - 300	200 - 275	180 - 255	200 - 275	230 - 305
7/32	170 - 250	200 - 320	210 - 300	225 - 310	250 - 350	260 - 340	240 - 320	260 - 340	275 - 365
1/4	210 - 320	250 - 400	250 - 350	275 - 375	300 - 420	330 - 415	300 - 390	315 - 400	335 - 430
5/16	275 - 425	300 - 500	320 - 430	340 - 450	375 - 475	390 - 500	375 - 475	375 - 470	400 - 525*

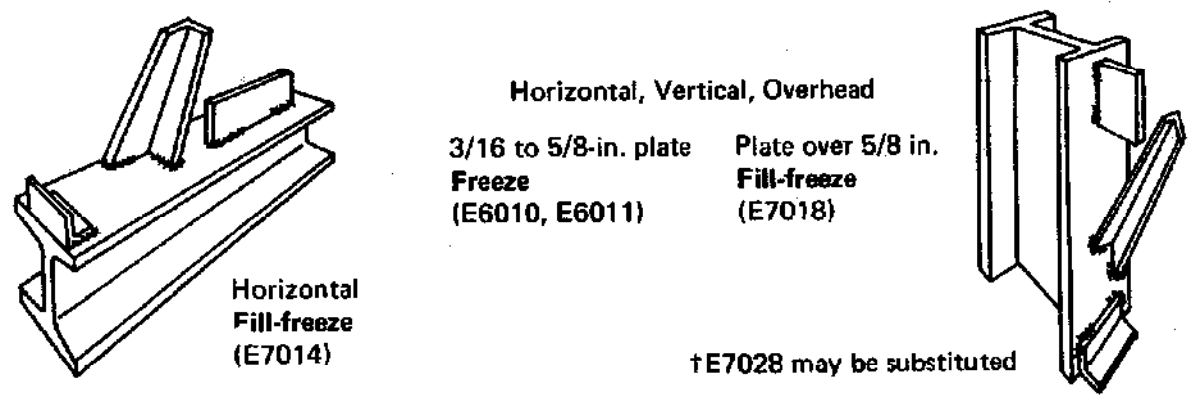
\*These values do not apply to the E7028 classification.

**FILLET AND CORNER WELDS**

Fillet welds over 10 to 12 in. in length on 3/16-in. or thicker plate



Fillet welds under 6 in. in length or having change in direction on 3/16 in. or thicker plate



†E7028 may be substituted

Fig. 6-15. Guide to selection of electrodes for fillet and corner welds.

**SHEET METAL JOINTS**

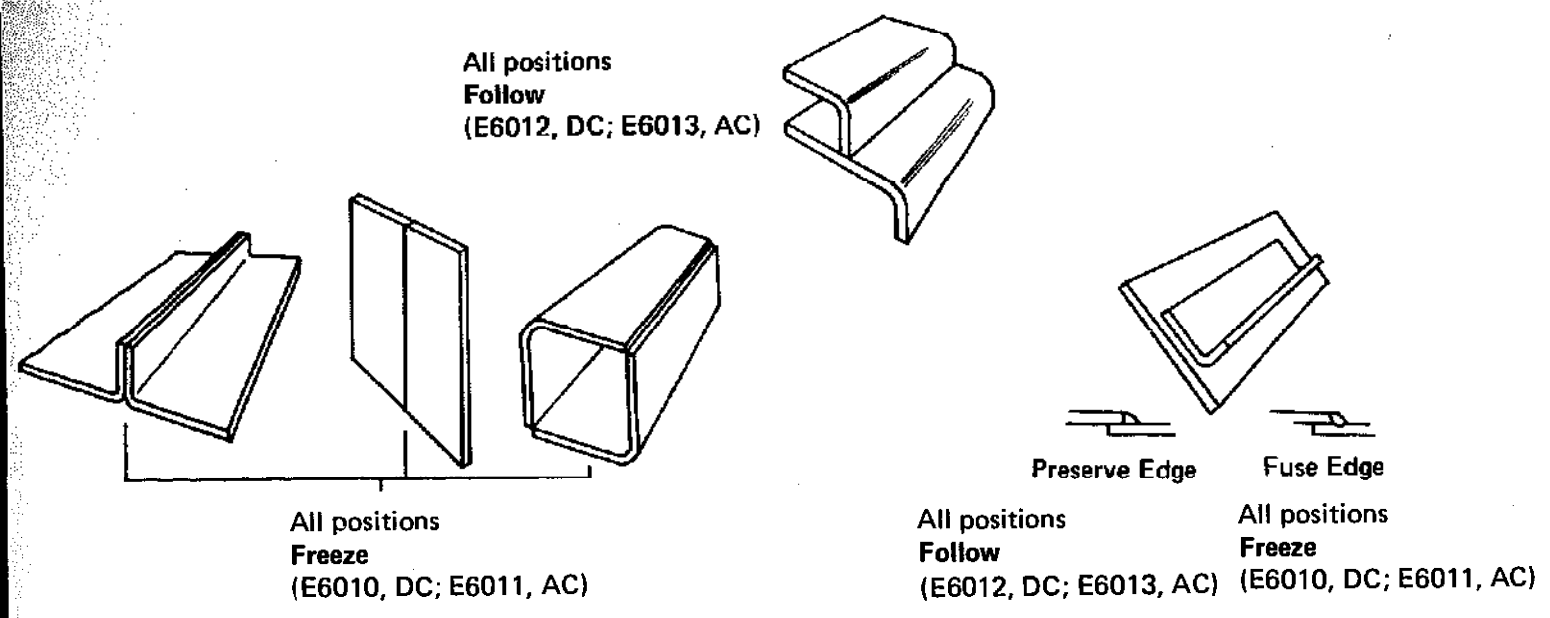


Fig. 6-16. Guide to selection of electrodes for sheet-metal welds.



TABLE 6-13. Recommended Electrodes for Carbon and Low Alloy ASTM Steels (See Note 10)

ASTM Specification	Description	Grades	Recommended Electrodes
<b>Steel Plates, Sheets, Forgings, Shapes, and Castings</b>			
A36-74	Structural 36,000 psi Min. YS		Note 1
A113-70a	Railway rolling stock	All	Note 1
A131-74	Structural for ships	A, B, C, CS, D & E AH, DH & EH	Note 1 E7018
A148-73	Steel castings for structural use	80-40 & 50 90-60 105-85 & 120-95	E8018-C3 E9018-G E11018-M
A202-74a	Boiler & pressure vessel	A & B	E9018-G
A203-74a	Pressure vessel	A & B D & E	E8018-C1 E8018-C2
A204-74a	Boiler & pressure vessel	A & B C	E7010-A1 or E7018-A1 E8018-B2
A205-74a	Boiler & pressure vessel	A & B	E8018-C3
A225-74a	Boiler & pressure vessel	A & B	E8018-C3
A236-74	Forgings, railway	A & B C, D & E F & G	E7018 or E7028 E8018-C3 E9018-G
A238-71	Forgings, railway	H A B C, D & E	E11018-M E8018-C3 E9018-G E11018-M
A242-74	High strength structural	All	E7018 or E7028, Note 3
A266-69	Drum forgings	1 2 3	Note 1 E7018 E8018-C3
A283-74	Structural plates	All	Note 1
A284-70a	Carbon-silicon plates	All	Note 1
A285-74a	Flange & firebox plate	All	Note 1
A299-74a	Boiler plate	All	E8018-C3
A302-74a	Boiler & pressure vessel	All	E8018-C3
A328-70	Steel piling	All	E7018 or E7028
A336-70a	Alloy forgings	F1 F12 Other grades	E7018-A1 E8018-B2 Note 9
A352-74a	Low-temperature castings	LCA, LCB & LCC LC1 LC2 LC3	E7018 E7018-A1 E8018-C1 E8018-C2
A356-74	Steam-turbine castings	5 6 8 & 10	E8018-B1 E8018-B2 E9018-B3
A361-71	Galvanized sheets		Notes 1 & 8
A366-72	Carbon steel sheets		Note 1
A372-74	Pressure vessel forgings	Class I Class II Class III Class IV	E7018 or E7028 E8018-C3 E9018-G E11018-M
A387-74a	Cr-Mo boiler plate	A, B & C D	E8018-B2 E9018-B3
A389-74a	High-temperature castings	C23 C24	E8018-B2 E9018-B3
A410-72	Pressure-vessel plate		E8018-C2

Continued

TABLE 6-13. Recommended Electrodes for Carbon and Low Alloy ASTM Steels, Cont'd. (See Note 10)

ASTM Specification	Description	Grades	Recommended Electrodes
<b>Steel Plates, Sheets, Forgings, Shapes, and Castings</b>			
4-72	Flange & firebox sheet	A, B, C & D E & F G	Note 1 E7018 or E7028 E8018-C3
4-73	Sheet for porcelain enameling		E7018
11-74	High-strength structural	All	E7018 or E7028 Note 3
12-74	Fine grain plate	All	E7018 or E7028
14-71	Galvanized steel sheet	A, B & C D & F	Note 1 & 8 E7010-A1
16-72			E8018-C3
55-74C	C-Mn pressure vessel plate	All	E7018 or E7028
36-74	Highway bridge castings	70 90	E9018-G
37-71a	Castings for pressure service	8N, 9N A, AN, AQ, B, N, C & CN BQ & CQ	E8018-B3 Note 1 E8018-C3
14-74a	Quenched & tempered plate	All	E11018-M Note 4
15-74b	High-temperature boiler plate	All	E7018 or E7028
16-74a	Low-temperature pressure — vessel plate	55 & 60 65 & 70	E7018 or E7028 E7018 or E8018-C3
17-74a	Quenched & tempered plate	All	E11018-M Note 4
26-71	Galvanized sheets		Notes 1 & 8
28-71			
29-72	Structural, 42,000 psi Min. YS		Note 1
33-74	Quenched & tempered plate	Class 1 Class 2 & 3	E8018-C3 E11018-M
37-74	Pressure-vessels and structures	Class 1 Class 2	E7018 or E7028 E8018-C3
41-73	Pressure-vessel forging	Class 1 Class 2, 3 & 4 Class 5 Class 6	E7018 or E7028 E8018-C3 E8018-B2 E9018-B3
43-74	Quenched & tempered plate	1, 2 & 3	E11018-M Note 4
70-72	Structural sheet & strip	All	Note 1
72-74b	Structural plate	42 & 45 50 & 55 60 & 65	Note 1 E7018 or E7028 E8018-C3
73-74	Structural plate	65 & 70	E7018 or E7028
88-74a	High-strength structural	All	E7018 or E7028 Note 3
06-71	High-strength sheet	All	Note 1
07-70	High-strength low-alloy sheet	45, 50 & 55 60 & 65 70	Note 1 E8018-C3 E9018-G
11-72	Cold rolled sheet	A, B, C & D	Note 1
15-74a	Reinforcement bars	40 60 75	Note 1 E9018-G E11018-M
16-72	Reinforcement bars	50 60	E8018-C3 E9018-G
17-74	Reinforcement bars	40 60	Note 1 E9018-G
06-74	Reinforcement bars	60	E9018-G

Continued

TABLE 6-13. Recommended Electrodes for Carbon and Low Alloy ASTM Steels, Cont'd. (See Note 10)

ASTM Specification	Description	Grades	Recommended Electrodes
<b>Steel Pipe, Tubes, and Fittings</b>			
A53-73 A 106-74 A120-73 A135-73d A139-74 A179-73 A192-73 A211-73 A214-71 A226-73 A252-74 A523-73 A587-73 A589-73	Mild-steel pipe	All	Notes 1 and 2
A 105-73 A 106-74 A 155-74	High-temperature fittings High-temperature pipe High-temperature pipe	I & II A, B, C C45, C50, C55 KC & KCF-55, 60 KC & KCF-65 CM65, 70 CM75 CMS75 & CMSH70 1/2, 1, & 1-1/4, Cr 2-1/4 Cr	E7018 E7018 Note 1 E7018 or E7028 E7018 or E7028 E7010-A1 or E7018-A1 E8018-B2 E8018-C3 E8018-B2 E9018-B3
E 161-72	Still tubes	Low-carbon T1	Note 1 E7010-A1 or E7018-A1
E 178-73 & E 179-73 A 181-68 A 182-74	Boiler tubes & Condenser tubes General service fittings High-temperature fittings	All I & II F1 F2, F11, F12 T11 T11	Note 1 E7018 or E7010-A1 E7010-A1, E7018-A1 E8018-B2, Note 9 E8018-B2, Note 9 E8018-B2, Note 9
A 199-73 A200-72 A209-73 A210-73	Heat-exchanger & condenser tubes Refinery still tubes Carbon-moly boiler tubes Carbon-steel boiler tubes	T1, T1a & T1b A1 C T2, T11, T12, & T17	E7010-A1, E7018-A1 E7010-A1, E7018-A1 Note 1 or E7010-A1 E7010-A1 E8018-B2
A213-74b A214-74b A216-74b A217-74c	Boiler tubes Condenser tubes High-temperature cast fittings High-temperature cast fittings	All WCA, WCB, WCC WC1 WC4 WC6	Note 1 E7018 or E7018-A1 E7010-A1 E8018-C3 E8018-B2
A234-74	Wrought welding fittings	WPA, WPB & WPC WP1 WP11	Note 1 E7010-A1, Note 2 E8018-B2
A250-73 A333-74 & A334-74	Carbon-moly boiler tubes Low-temperature pipe	T1, T1a, T1b 1 & 6 3 7	E7010-A1, Note 2 E7018 or E8018-C3 E8018-C2 E8018-C1
A335-74a	High-temperature pipe	P1 P2, P11 & P12 Others	E7010-A1, Note 2 E8018-B2 Note 9
A350-74	Low-temperature fittings	LF1 & LF2 LF3 LF5	E8018-C1 E8018-C2 E8018-C3
E369-73a	High-temperature pipe		See A335 & A182

Continued

TABLE 6-13. Recommended Electrodes for Carbon and Low Alloy ASTM Steels, Cont'd. (See Note 10)

ASTM Specification	Description	Grades	Recommended Electrodes
<b>Steel Pipe, Tubes, and Fittings (continued)</b>			
A381-73	High-pressure pipe	Y35, Y42 & Y46 Y52 & Y56 Y60 & Y65	Notes 1 & 2 Note 5 Note 5 or E8018-C3
A405-70	High-temperature pipe	P24	E8018-B2
A420-73	Low-temperature pipe	See A203, A333, A334, A350	
A423-73	Low-alloy tube	1 & 2	E8018-C3 or E7018
A426-74	High-temperature cast pipe		See A335
A498-73	Condenser tubes	See A199, A179, A213, A214, & A334	
A500-74a	Structural tubing	A, B & C	E7018 & Note 1
A501-74	Structural tubing		E7018 & Note 1
A524-72a	Process piping	1 & 2	E7010-A1 or E7018
A556-73 & A557-73	Feed water heater tubes	A2 & B2 C2	E7018, Note 1 E7018
A618-74	Structural tubing	I II & III	E7018

- Note 1. Unless restricted by specifications; use any E60XX or E70XX electrode for steel grades with 60,000 psi or less tensile strength, for steel grades with 60,000 to 70,000 psi tensile strength use E70XX electrodes.
- Note 2. Use E7010-G, specially designed for field-welding pipe.
- Note 3. Use E8018-C1 or E8010-B2 for best color match on unpainted steels with enhanced atmospheric corrosion resistance. Consult the steel supplier.
- Note 4. E7018 or E8018-C3 are frequently used for fillet welds.
- Note 5. Use special electrode designed for field welding 5LX pipe, Grades X42 thru X65.
- Note 6. Do not use E8018-B2 for low-temperature applications.
- Note 7. E7018, E7028 for fillets, or E8018-C3 for general-purpose welding, can be used on these steels. If the weldment is to be precipitation-hardened or high weld strength is required, use E8018-B2.
- Note 8. Usually E6010 is the most satisfactory electrode for galvanized sheet.
- Note 9. Electrode recommendations for other alloy steels may be found in Sections 6.1 and 7.2.
- Note 10. These recommendations are based on matching the tensile properties of the weld deposit and the plate, and also the chemical properties of the weld deposit and the plate where chemistry is important. Since it is impossible to foresee all the conditions of every application, other electrodes than those recommended here may also be satisfactory and should be tested before the weldment is started.

## FAST-FREEZE ELECTRODES

Fast-freeze electrodes are compounded to deposit weld metal that solidifies rapidly after being melted by the arc, and are thus intended specifically for welding in the vertical and overhead positions. Although deposition rates are not as high as with other types of electrodes, the fast-freeze type can also be used for flat welding and is, thus, considered an "all-purpose" electrode that can be used for any weld in mild steel. However, welds made with fast-freeze electrodes are slow and require a high degree of operator skill. Therefore, wherever possible, work should be positioned for downhand welding, which permits the use of fast-fill electrodes.

Fast-freeze electrodes provide deep penetration and maximum admixture. The weld bead is flat with distinct ripples. Slag formation is light, and the arc is easy to control.

Applications for fast-freeze electrodes are:

- General-purpose fabrication and maintenance welding.
- Vertical-up and overhead plate welds requiring X-ray quality.
- Pipe welding, including cross-country, in-plant, and noncritical small-diameter piping.
- Welds to be made on galvanized, plated, painted, or unclean surfaces.
- Joints requiring deep penetration, such as square-edge butt welds.
- Sheet-metal welds, including edge, corner, and butt welds.

### Electrode Characteristics

**E6010:** This is the basic fast-freeze electrode for

## 6.2-8 Welding Carbon and Low-Alloy Steel

general-purpose DC welding. Light slag and good wash-in permit excellent control of the arc. The E6010 electrode is particularly valuable for critical out-of-position applications, such as with pipe welding.

**E6011:** A general fast-freeze electrode for use with industrial AC welders, E6011 is also the preferred electrode for sheet-metal edge, corner, and butt welds with DCSP. The electrode is also used for vertical-down welding, and for applications requiring exceptionally low silicon deposit. Special grades are available for general-purpose shop use with small, low open-circuit voltage AC welders (not suitable for X-ray quality). E6011 is also available in a special grade producing little slag, that is designed especially for tack welding.

**E7010-A1:** This fast-freeze electrode is designed for welding high-strength pipe, such as X52 or X56, and for other out-of-position welding where high strength or control of alloy in the weld are important. It produces a 70,000-psi deposit containing 0.5% molybdenum. Operation is similar to E6010.

**E7010-G:** This electrode is similar to E7010-A1, but is designed specifically to avoid any surface-hole tendency in fill and cover-pass welds on high-strength pipe. Special grades are available for welding all passes on X60 and X65 high-strength line pipe.

### Welding Techniques

**Current and Polarity:** Unless otherwise specified, use DCRP with Exx10, and use AC with Exx11. Exx11 electrodes can be used on DCRP with a current about 10% below normal AC values. Always adjust current for proper arc action and control of the weld puddle.

**Flat Welding:** Hold an arc of 1/8 in. or less, or touch the work lightly with the electrode tip. Move fast enough to stay ahead of the molten pool. Use currents in the middle and high portion of the range.

**Vertical Welding:** Use an electrode of 3/16 in. or smaller. Vertical-down techniques are used by pipeliners and for single-pass welds on thin steel. Vertical-up is used for most plate welding. Make the first vertical-up pass with either a whipping technique for fillet welds, or with a circular motion for V-butt joints (Fig. 6-17). Apply succeeding passes with a weave, pausing slightly at the edges to insure penetration and proper wash-in. Use currents in the low portion of the range.

**Overhead and Horizontal Butt Welds:** Use an electrode of 3/16 in. or smaller. These welds (Fig. 6-18) are best made with a series of stringer beads,

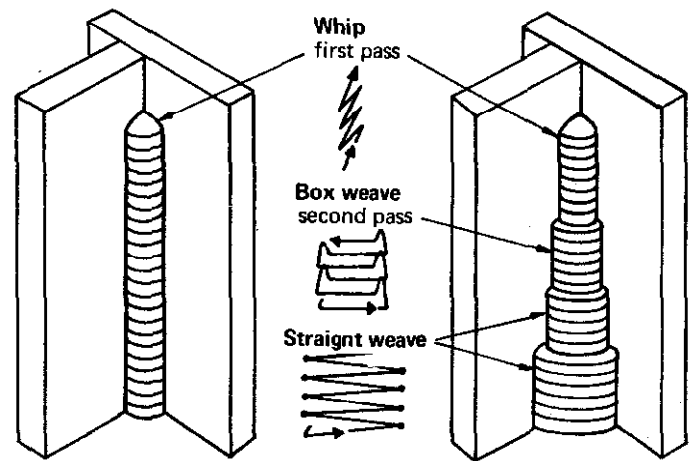


Fig. 6-17. Technique for vertical welding with fast-freeze electrodes.

using a technique similar to those described for first-pass vertical-up welds.

**Sheet-Metal Edge and Butt Welds:** Use DCSP. Hold an arc of 3/16 in. or more. Move as fast as possible while maintaining good fusion. Position the work 45° downhill for fastest welding. Use currents in the middle range.

### FAST-FILL ELECTRODES

Fast-fill electrodes are compounded to deposit metal rapidly in the heat of the arc and are, thus, well suited to high-speed welding on horizontal surfaces. The weld metal solidifies somewhat slowly; therefore this type of electrode is not well suited for out-of-position welds. However, a slight downhill positioning is permissible. Joints normally considered fast-fill include butt, fillet, lap, and corner welds in plate 3/16 in. or thicker. These joints are capable of holding a large molten pool of weld metal as it freezes.

Arc penetration is shallow with minimum admixture. The bead is smooth, free of ripples, and flat or slightly convex. Spatter is negligible. Slag formation is heavy, and the slag peels off readily.

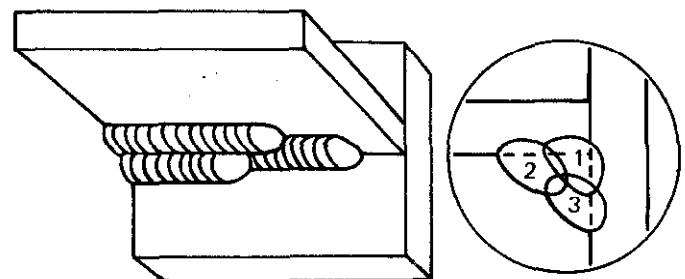


Fig. 6-18. Technique for overhead and horizontal butt welds with fast-freeze electrodes. These welds are best made with a series of stringer beads.

Applications for fast-fill electrodes are:

- Production welds on plate having a thickness of 3/16 in. or more.
- Flat and horizontal fillets, laps, and deep-groove butt welds.
- Welds on medium-carbon crack-sensitive steel when low-hydrogen electrodes are not available. (Preheat may be required.)

The coverings of fast-fill electrodes contain approximately 50% iron powder. This powder increases deposition rate by helping to contain the arc heat at the electrode, by melting to add to deposited weld metal, and by permitting currents higher than those permitted by other types of coverings. The thick, iron-bearing covering also facilitates use of the drag technique in welding.

### Electrode Characteristics

**E7024:** This is a general-purpose fast-fill electrode. Special grades provide exceptionally high deposition rates and particularly good operating characteristics.

**E6027:** Used principally for flat deep-groove joints and for flat and horizontal fillets, the electrode has excellent wash-in characteristics. A friable slag permits easy slag removal in deep grooves. This electrode is sometimes used as an alternative to E7024 when X-ray quality or high notch toughness are required.

**E7020-A1:** The electrode is used in place of E6027 when a 70,000-psi strength or 0.5% molybdenum deposit is required.

### Welding Techniques

**Polarity:** Use AC for highest speeds and best operating characteristics. DCRP can be used, but this type of current promotes arc blow and complicates control of the molten puddle.

**Flat Welding:** Use a drag technique; tip the electrode 10 to 30° in the direction of travel and make stringer beads. Weld with the electrode tip lightly dragging on the work so that molten metal is forced out from under the tip, thereby promoting penetration. The resulting smooth weld is similar in appearance to an automatic weld. Travel rapidly, but not too fast for good slag coverage. Stay about 1/4 to 3/8 in. ahead of the molten slag, as illustrated in Figure 6-19. If travel speed is too slow, a small ball of molten slag may form and roll ahead of the arc, causing spatter, poor penetration, and erratic bead shape. Optimum current usually is 5 to 10 amp above the center of the range for a given electrode.

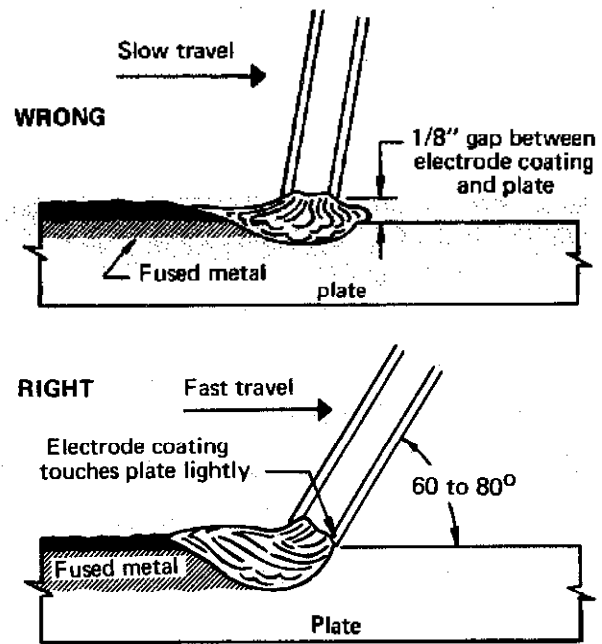


Fig. 6-19. Technique for flat welds with fast-fill electrodes. An incorrect technique is included for comparison.

Do not exceed the center of the range if the weld is to be of X-ray quality.

**Horizontal Fillets and Laps:** Point the electrode into the joint at an angle of 45° from horizontal and use the “flat” technique described above. The tip of the electrode must touch both horizontal and vertical members of the joint. If the 45° angle between plates is not maintained, the fillet legs will be of different sizes. When two passes are needed, deposit the first bead mostly on the bottom plate. To weld the second pass hold the electrode at about 45°, fusing into the vertical plate and the first bead. Make multiple-pass horizontal fillets as shown in Figure 6-20. Put the first bead in the corner with fairly high current, disregarding undercut. Deposit the second bead on the horizontal plate, fusing into the first bead. Hold the electrode angle needed to deposit the filler beads as shown, putting the final bead against the vertical plate.

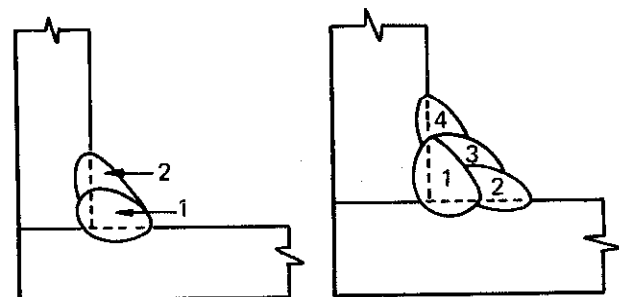


Fig. 6-20. Technique for multi-pass horizontal fillet welds with fast-fill electrodes. Beads should be deposited in the order indicated.

**Deep-Groove Butt Welds:** To hold the large pool of molten weld metal produced by fast-fill electrodes, either a backup plate, or a stringer bead made with a deeper-penetrating fast-freeze electrode is required. Deposit fast-fill beads with a stringer technique until a slight weave is required to obtain fusion of both plates. Split-weave welds are better than a wide weave near the top of deep grooves. When welding the second last pass, leave enough room so that the last pass will not exceed a 1/16-in. buildup. A slight undercut on all but the last pass creates no problems, because it is burned out with each succeeding pass.

### FILL-FREEZE ELECTRODES

Fill-freeze electrodes are compounded to provide a compromise between fast-freeze and fast-fill characteristics, and thus provide medium deposition rates and medium penetration. Since they permit welding at relatively high speed with minimal skip, misses, and undercut, and with minimum slag entrapment, fill-freeze electrodes are also referred to as fast-follow electrodes. The electrode's characteristics are particularly suited to the welding of sheet metal, and fill-freeze electrodes are, thus, often called "sheet-metal" electrodes. Bead appearance with this group of electrodes varies from smooth and ripple-free to wavy with distinct ripples. The fill-freeze electrodes can be used in all welding positions, but are most widely used in the level or downhill positions.

Applications for fill-freeze electrodes include:

- Downhill fillet and lap welds.
- Irregular or short welds that change direction or position.
- Sheet-metal lap and fillet welds.
- Fast-fill joints having poor fitup.
- General-purpose welding in all positions.

Fast-freeze electrodes, particularly E6010 and E6011, are sometimes used for sheet-metal welding when fast-follow electrodes are not available, or when the operator prefers faster solidification. Techniques for sheet-metal welding with these electrodes are discussed in the portion of this section dealing with fast-freeze electrodes.

### Electrode Characteristics

**E6012:** The basic fill-freeze electrode for general-purpose and production welding, this electrode provides a more forceful arc than other electrodes in

the group. Special types are available for improved arc stability, minimum spatter, and easier slag removal. Some types contain iron powder in the coatings for greater mileage, better AC operation, and a smoother, quieter arc. These types are excellent for low-current applications, such as sheet-metal welding.

**E6013:** This electrode is used in place of E6012 for sheet-metal welding where appearance and ease of operation are more important than speed. AC operation is excellent. It is recommended for general-purpose welding with small AC transformer welding machines having low open-circuit voltage.

**E7014:** The electrode has highest iron-powder content in the group, and thus provides highest deposition (or maximum fast-fill capability) among the fill-freeze electrodes. It has exceptionally good operating characteristics and is often preferred by weldors. It is frequently used for production welding on short, irregular, or downhill fast-fill types of joints.

### Welding Techniques on Steel Plate

**Polarity:** Use DCSP for best performance on all applications except when arc blow is a problem. To control arc blow, use AC.

**Downhand and Downhill:** Use stringer beads for the first pass except when poor fitup requires a slight weave. Use either stringer or weave beads for succeeding passes. Touch the tip of the electrode to the work or hold an arc length of 1/8 in. or less. Move as fast as possible consistent with desired bead size. Use currents in the middle to higher portion of the range.

**Electrode Size:** Use electrodes of 3/16-in. or smaller diameter for vertical and overhead welding.

**Vertical-Down:** Use stringer beads or a slight weave. A drag technique must be used with some E6012 electrodes. Make small beads. Point the electrode upward so that arc force pushes molten metal back up the joint. Move fast enough to stay ahead of the molten pool. Use currents in the higher portion of the range.

**Vertical-Up:** Use a triangular weave. Weld a shelf at the bottom of the joint and add layer upon layer. Do not whip or take the electrode out of the molten pool. Point the electrode slightly upward so that arc force helps control the puddle. Travel slow enough to maintain the shelf without spilling. Use currents in the lower portion of the range.

**Overhead:** Make stringer beads using a whipping technique with a slight circular motion in the crater. Do not weave. Travel fast enough to avoid spilling. Use currents in the lower portion of the range.

## Welding Techniques with Sheet Metal

The ability to adjust current while welding sheet steel is valuable, particularly when fitup or material thickness varies. Motor-generator welders equipped with foot-operated remote current controls are useful for this purpose.

Generally, use the highest current that does not cause burnthrough, does not undercut, or does not melt the edges of lap, corner, or edge welds. For fast welding, the operator must stay precisely on the joint and must travel at a uniform speed. Welding on sheet metal, thus, requires more than average skill, and a good welder may need a few days of practice when first attempting this type of weld.

For maximum welding speed, minimum distortion, or for welding in the flat position, joints generally should be positioned 45° to 75° downhill. Use copper backup strips where possible to decrease the danger of burnthrough. The procedures tables in this handbook assume tight fitup and adequate clamping or tacking. Where poor fitup is encountered:

1. Reduce current.
2. Tilt the electrode into the direction of travel more than normally.
3. With fast-freeze electrodes use a small, quick weave technique to bridge the gap.

Deposit the entire weld in one pass using stringer beads or a slight weave. Drag the electrode on the joint and stay ahead of the molten pool. Tip the electrode well into the direction of travel so the arc force pushes the weld metal back into the joint. Use currents in the high portion of the range.

## LOW-HYDROGEN ELECTRODES

Conventional welding electrodes may not be suitable where X-ray quality is required, where the base metal has a tendency to crack, where thick sections are to be welded, or where the base metal has an alloy content higher than that of mild steel. In these applications, a low-hydrogen electrode may be required.

Low-hydrogen electrodes are available with either fast-fill or fill-freeze characteristics. They are compounded to produce dense welds of X-ray quality with excellent notch toughness and high ductility. Low-hydrogen electrodes reduce the danger of underbead and microcracking on thick weldments and on high-carbon and low-alloy steels. Preheat requirements are less than for other electrodes.

Low-hydrogen electrodes are shipped in hermetically sealed containers, which normally can be

stored indefinitely without danger of moisture pickup. But once the container is opened, the electrodes should be used promptly or stored in a heated cabinet. Details on electrode storage and on redrying moisture-contaminated electrodes are presented later in this section.

Applications for low-hydrogen electrodes include:

- X-ray-quality welds or welds requiring high mechanical properties.
- Crack-resistant welds in medium-carbon to high-carbon steels; welds that resist hot-short cracking in phosphorus steels; and welds that minimize porosity in sulfur-bearing steels.
- Welds in thick sections or in restrained joints in mild and alloy steels where shrinkage stresses might promote weld cracking.
- Welds in alloy steel requiring a strength of 70,000 psi or more.
- Multiple-pass, vertical, and overhead welds in mild steel.

## Electrode Characteristics

**E7018:** This electrode has fill-freeze characteristics and is suitable for all-position operation. Iron powder in the electrode coating promotes rapid deposition. Moderately heavy slag is easy to remove. (Weld metal freezes rapidly even though slag remains somewhat fluid.) Beads are flat or slightly convex and have distinct ripples, with little spatter.

**E7028:** The electrode has fast-fill characteristics applicable to high-production welds where low-hydrogen quality is required. It performs best on flat fillets and deep-groove joints, but is also suitable for horizontal fillet and lap welds. Excellent striking qualities permit efficient skip and tack welding.

## Welding Techniques

Techniques for E7028 are the same as those described for conventional fast-fill electrodes. However, special care should be taken to clean the slag from every bead on multiple-pass welds to avoid slag inclusions that would appear on X-ray inspection. The ensuing discussion pertains to the techniques recommended for E7018 electrodes.

**Polarity:** Use DCRP whenever possible if the electrode size is 5/32-in. or less. For larger electrodes, use AC for best operating characteristics (but DCRP can also be used).

**Downhand:** Use low current on the first pass, or whenever it is desirable to reduce admixture with a



base metal of poor weldability. On succeeding passes, use currents that provide best operating characteristics. Drag the electrode lightly or hold an arc of 1/8-in. or less. Do not use a long arc at any time, since E7018 electrodes rely principally on molten slag for shielding. Stringer beads or small weave passes are preferred to wide weave passes. When starting a new electrode, strike the arc ahead of the crater, move back into the crater, and then proceed in the normal direction. On AC, use currents about 10% higher than those used with DC. Govern travel speed by the desired bead size.

**Vertical:** Weld vertical-up with electrode sizes of 5/32-in. or less. Use a triangular weave for heavy single-pass welds. For multipass welds, first deposit a stringer bead by using a slight weave. Deposit additional layers with a side-to-side weave, hesitating at the sides long enough to fuse out any small slag pockets and to minimize undercut. Do not use a whip technique or take the electrode out of the molten pool. Travel slowly enough to maintain the shelf without causing metal to spill. Use currents in the lower portion of the range.

**Overhead:** Use electrodes of 5/32-in. or smaller. Deposit stringer beads by using a slight circular motion in the crater. Maintain a short arc. Motions should be slow and deliberate. Move fast enough to avoid spilling weld metal, but do not be alarmed if

**TABLE 6-14. Procedures for Drying Low-Hydrogen Electrodes**

Nature of Moisture Pickup	Drying Temperatures	
	E7018-28	E8018-X, E9018-X, E11018-X
Electrodes exposed to air for less than one week; no direct contact with water. Welds not subject to X-ray inspection.	300°F	300°F
Electrodes exposed to air for less than one week; no direct contact with water. Welds subject to X-ray inspection.	700°F	750°F
Electrodes have come in direct contact with water, or have been exposed to extremely humid conditions as indicated by core wire rusting at the holder end. Before redrying at 700 – 750F, predry electrodes in this condition at 180°F for 1 to 2 hours. This minimizes the tendency for coating cracks or oxidation of the alloys in the coating.	700°F	750°F

Note: One hour at the listed temperatures is satisfactory. Do not dry electrodes at higher temperatures or for more than 8 hours. Several hours at lower temperature are not equivalent to using the specified temperatures. Remove the electrodes from the can and spread them out in the furnace. Each electrode must reach the drying temperature. (Cardboard can liners char at about 350°F.)

some slag spills. Use currents in the lower portion of the range.

**Redrying Low-Hydrogen Electrodes**

Low-hydrogen electrodes must be dry if they are to perform properly. Electrodes in unopened,

**TABLE 6-15. Characteristics of Mild-Steel Covered Electrodes\***

AWS-ASTM Electrode Classification	Welding Category	General Characteristics
<b>60,000-psi Minimum Tensile Strength</b>		
E6010	Freezet	Molten weld metal freezes quickly; suitable for welding in all positions with DC reverse-polarity power; has a low-deposition rate and deeply penetrating arc; can be used to weld all types of joints.
E6011	Freezet	Similar to E6010, except can be used with AC as well as DC power.
E6012	Follow	Faster travel speed and smaller welds than E6010; AC or DC, straight-polarity power; penetration less than E6010. Primary use is for single-pass welding of thin-gage sheet metal in flat, horizontal, and vertical-down positions.
E6013	Follow	Similar to E6012, except can be used with DC (either polarity) or AC power.
E6027	Fill	Deposition rate high since covering contains about 50% iron powder; primary use is for multipass, deep-groove, and fillet welding in the flat position or horizontal fillets, using DC (either polarity) or AC power.
<b>70,000-psi Minimum Tensile Strength</b>		
E7014	Fill-freeze	Higher deposition rate than E6010; usable with DC (either polarity) or AC power; primary use is for inclined and short, horizontal fillet welds.
E7018	Fill-freeze	Suitable for welding low and medium-carbon steels (0.55% C max) in all positions and types of joints. Weld-metal quality and mechanical properties highest of all mild-steel electrodes; usable with DC reverse polarity or AC power.
E7024	Fill	Higher deposition rate than E7014; suitable for flat-position welding and horizontal fillets.
E7028	Fill	Similar to type E7018; used for welding horizontal and flat fillets and grooved butt fillet welds in flat position.

\* E6020, E7015, and E7016 are not included because of their limited usage. Only electrodes up to 3/16-in. diameter can be used in all welding positions (flat, horizontal, vertical, and overhead).

† When used for welding sheet metal, these electrodes have follow-freeze characteristics.

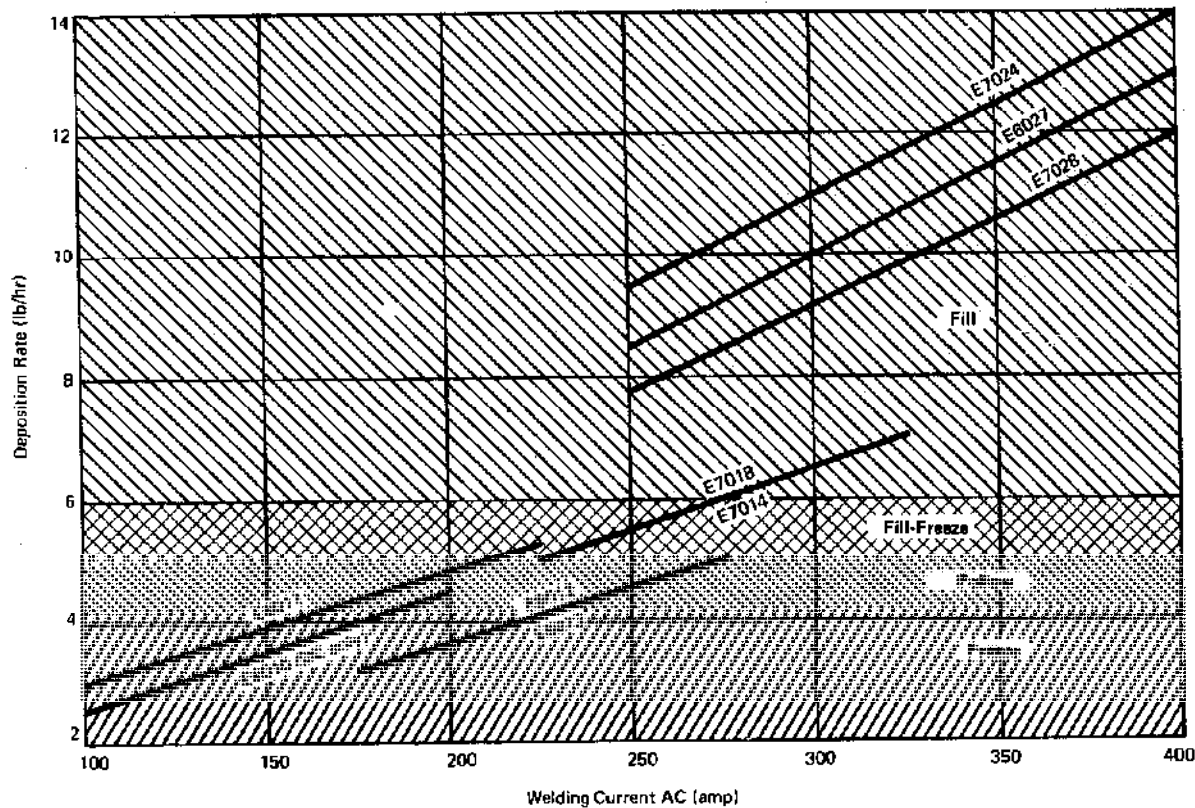


Fig. 6-21. Deposition rates for various mild-steel electrodes.

hermetically sealed containers remain dry indefinitely in good storage conditions. Opened cans should be stored in a cabinet at 250 to 300°F. Supplying weldors with electrodes twice a shift — at the start of the shift and at lunch, for example — minimizes the danger of moisture pickup. Return electrodes to the heated cabinet for overnight storage.

When containers are punctured or opened so that the electrode is exposed to the air for a few days, or when containers are stored under unusually wet conditions, low-hydrogen electrodes pick up moisture. The moisture, depending upon the amount absorbed, impairs weld quality in the following ways:

1. A small amount of moisture may cause internal porosity. Detection of this porosity requires X-ray inspection or destructive testing. If the base metal has high hardenability, even a small amount of moisture can contribute to underbead cracking.
2. A high amount of moisture causes visible external porosity in addition to internal porosity.

3. Severe moisture pickup can cause weld cracks or underbead cracking in addition to severe porosity.

Redrying completely restores ability to deposit quality welds. The proper redrying temperature depends upon the type of electrode and its condition. Drying procedures are listed in Table 6-14.

## SUMMARY OF ELECTRODES FOR MILD STEEL

In the AWS specification A5.1-69 there are 12 different classifications of electrodes for welding mild steel. Each classification has different operating characteristics, and a summary of these characteristics is given in Table 6-15. The deposition rates for the electrodes in Table 6-15 are shown in Fig. 6-21.

## ALLOY-STEEL ELECTRODES

Alloy content of the weld deposit is not critically important in the welding of common grades of steel. As discussed in the immediately preceding portions of this section, electrode selection for these

TABLE 6-16. Typical Mechanical Properties of AWS A5.5-69 Weld Metal

	E7010-A1	E8018-B2	E8018-C3	E8018-C1	E11018-M
<b>As-Welded</b>					
Tensile Strength (psi)	75,000	102,000	86,000	87,000	112,000
Yield Strength (psi)	68,000	90,000	78,000	74,000	102,000
Elongation (% in 2 in.)	24	21	25	22	21
Charpy V Notch (ft-lb)	68 at 70°F	65 at 70°F	48 at -20°F	61 at -75°F	35 at -60°F
<b>Stress Relieved 1150°F</b>					
Tensile Strength (psi)	72,000	93,000 83,000*	81,000	84,000	112,000+
Yield Strength (psi)	60,000	81,000 70,000*	70,000	71,000	96,000+
Elongation (% of 2 in.)	29	20 22*	26	24	22+
Charpy V Notch (ft-lb)	68 at 70°F	65 at 70°F 65 at 70°F*	88 at -20°F	40 at -75°F	35 at -60°F+

- \* Stress relieved at 1275°F
- + Stress relieved at 1025°F

steels is based largely on whether maximum deposition rates or rapid freeze characteristics are preferred. But for alloy steels — chosen specifically for their high mechanical properties, superior corrosion resistance, or ability to withstand high temperatures — the electrode must be carefully selected so that it

provides the specific chemical composition needed to maintain the desired properties of the base metal in the weld deposit.

There are many types of electrodes available for welding low-alloy steels. These types are described completely in AWS A5.5, and a brief summary of

TABLE 6-17. Recommended Electrodes for Trade-Name Steels  
(See Note 10, Table 6-13)

Steel Producer	Steel Trade Name	Recommended Electrodes
Alan Wood Steel Company	AWX-42, 45 V45	Note 1
	V50, 55 AW-Ten AW-441, 440	E7018 or E7028
	V60, 65	E8018-C3
		Cor-Ten C
Armco Steel Corporation	C-42, 45	Note 1
	C-50, 55 High-Strength B, D	E7018 or E7028
	C-60, 65 V-60, 65	E8018-C3
	Lo-Temp Armco LTM, VNT	E8018-C1
	C-70	E8018-B2
	SSS-100, 100A, 100B HY80, HY 100	E11018-M
Bethlehem Steel Corporation	V42, 46, 50, 55 RQC-60N Mayari R. R-50 Med. Mn	E7018 or E7028
	V60, 65	E8018-C3
	RQC-60 Q & T	E8018-C1
	RQC80, 90	E11018-M
Inland Steel Company	INX-42, 45	Note 1
	INX-50, 55 Hi-Man, Tri-Steel	Note 7 E7018 or E7028
	INX-60, 65 Hi-Steel	E8018-C3
	INX-70	E8018-B2
Jones & Laughlin Steel Corporation	JLX-42, 50	Note 1
	JLX-50, 55 Jalten 1, 3R, 3S Cor-TenA	E7018 or E7028
	JLX-60, 65, 60CC, 65CC	E8018-C3
	JLX-70, 70CC	E8018-B2
	Jalloy S-90, 100 VAN 80	E11018-M
Kaiser Steel Corporation	Kaisaloy 42-CV, 45-CV	Note 1
	Kaisaloy 50-CV, 55-CV, Kaisaloy 45FG, 50CR, 50MM, 50MV	E7018 or E7028
	Kaisaloy 60Sg, 60CV	E8018-C3
	Kaisaloy 70MB	E8018-B2

Steel Producer	Steel Trade Name	Recommended Electrodes
Lukens Steel Company	Lukens 45, 50 LT-75N Lukens A440, A441 Cor-Ten A	E7018 or E7028
	Lukens 55, 60	E8018-C3
	Lukens LT-75OT	E8018-B2
	Lukens T1, T1A, T1B, LT-75HS	E11018-M
National Steel Corporation	GLX-45W	Note 1
	GLX-50W, 55W GLS-441 NAX Fine Grain NAX Hi Mang NAX High Tensile	E7018 or E7028
	GLX-60W, 65W	E8018-C3
	GLX-70W	E8018-B2
	N-A-XTRA 90, 90, 100	E11018-M
		Note 1
Republic Steel Corporation	35, X42W, X45W	Note 1
	X50W, X55W, A441, Cor-Ten A NAX High Tensile	E7018 or E7028
	Republic 50, 60, M X60W, X65W	E8018-C3
	Republic 70 X70W	E8018-B2
United States Steel Corporation	Republic 80	E11018-M
	EX-Ten 42, 45	Note 1
	EX-Ten 50, 55 Cor-Ten A, B Tri-Ten	Par-Ten Man-Ten (A440)
	Cor-Ten C EX-Ten 60, 65	Man-Ten
	Cor-Ten EX-Ten 70	Char-Pac
	T-1, T-1A, T-1B	E8018-B2
Youngstown Sheet & Tube Company	YSW-42, 45	Note 1
	YSW-50, 55 YB-Ten Yoloy HS, HSX	YSW A441
	Yoloy S	E7018 or E7028
	YSW-60, 65	Yo Man
	YSW-70	E8018-C3 Note 7

For notes, refer to Table 6-13.

typical electrode characteristics and applications is presented in the following paragraphs. The chemical requirements of deposited weld metal are given in Table 4-7. Typical mechanical properties of some of the weld deposits are given in Table 6-16. A guide to the selection of electrodes for welding steels of specific trade names is presented in Table 6-17.

Except for electrodes for welding high-strength line pipe (see Section 13.3), most electrodes for welding low-alloy steel have low-hydrogen, fill-freeze characteristics similar to those of E7018 and are suitable for all-position fabrication and repair welding. Even though these electrodes are suitable for all-position welding, their operating characteristics are quite different from those of fast-freeze electrodes for the common steels. Weld metal from alloy-steel electrodes freezes rapidly even though the slag remains relatively fluid. Deposition rate is high, partially because the coverings contain iron powder.

Beads are flat or slightly convex and have distinct ripples with little spatter. The moderately heavy slag is easy to remove.

Some of the commonly used low-alloy high-strength electrodes include:

**E8018-B2:** This electrode produces a 1.25% chromium, 0.5% molybdenum deposit, commonly required for high-temperature, high-pressure piping. It usually meets requirements of E9018-G for some high-strength (90,000 psi tensile) steels.

**E8018-C3:** The electrode conforms to MIL 8018-C3 and produces a weld having a tensile strength of 80,000 psi, suitable for general-purpose welding on many high-strength alloys. This type also provides a 1%-nickel deposit for welding alloys that are to be used at low temperatures and which require good notch toughness down to  $-60^{\circ}\text{F}$ . The electrode is also used for fillet welds on high-strength (110,000 psi tensile) quenched-and-tempered steels, such as ASTM A514 and A517.

**E8018-C1:** The type produces a 2.25%-nickel deposit with notch toughness of 50 ft-lb at  $-75^{\circ}\text{F}$  and is, thus, commonly required for welding low-temperature alloys. Such alloys are frequently used to fabricate storage, piping, and transportation equipment for liquid ammonia, propane, and other gases. This group of electrodes is also recommended for the best color match on unpainted corrosion-resistant ASTM A242 steels. (Cor-Ten, Mayari-R, and others).

**E11018-M:** The electrode conforms to MIL-11018-M and produces a 110,000-psi tensile strength needed for full-strength welds on quenched-and-tempered steels, ASTM A514 and

A517 (T-1, SSS-100, HY-80, and others)

## GENERAL CONSIDERATIONS IN WELDING

### Joint Positions

As noted earlier in this section, joint position is often the primary factor in electrode selection and is therefore largely responsible for the speed and cost of welding. Where possible, work should be positioned flat for fastest welding speed.

**Sheet-Metal Welds:** In sheet steel from 10 to 18 gage, welds are usually larger than needed for joint strength. Thus, the primary objective is to avoid burnthrough while welding at fast travel speeds with minimum skips and misses. Fastest speeds are obtained with the work positioned  $45$  to  $75^{\circ}$  downhill. Refer to the prior portion of this section on fill-freeze electrodes.

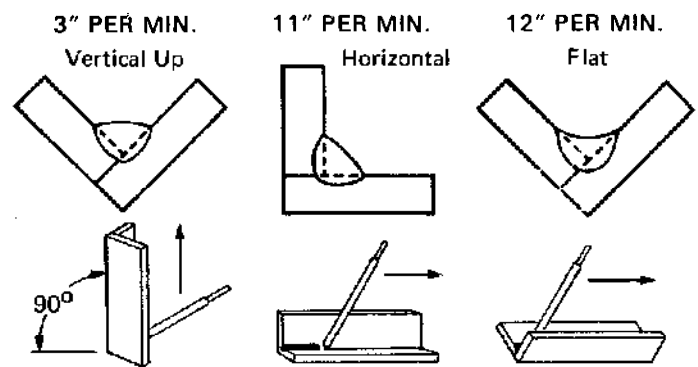


Fig. 6-22. Variations in welding speed with different joint positions.

**Welds on Mild Steel Plate:** Plates having a thickness of  $3/16$ -in. or greater are welded most rapidly in the flat position. This position permits easiest manipulation of the electrode and allows use of high-deposition fast-fill electrodes. Variations in welding speed with different joint positions are illustrated in Fig. 6-22. For more information, refer to portions of this section dealing with fast-fill electrodes. If a weld is to be made in the vertical or overhead position, refer to the discussion on fast-freeze electrodes.

**Welds on High-Carbon and Low-Alloy Steel:** These steels can be welded most readily in the level position. Refer to the discussion on low-hydrogen electrodes.

### Joint Geometry and Fitup

Joint dimensions specified in the Procedure Tables are chosen for fast welding speeds consistent with weld quality. Departure from the recom-

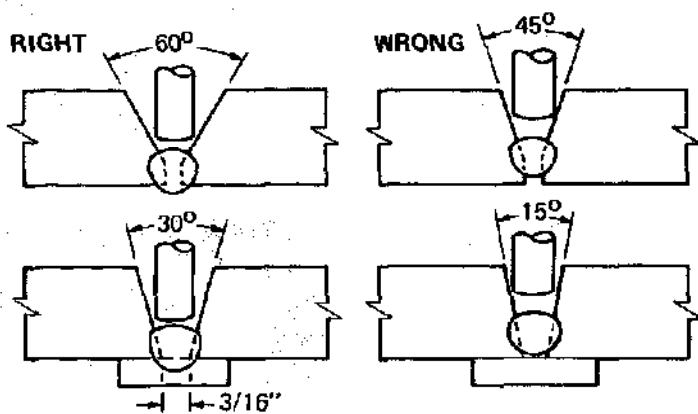


Fig. 6-23. Correct and incorrect bevels for good bead shape and adequate penetration.

mended joint geometry may reduce welding speed or cause welding problems.

Fitup must be consistent for the entire joint. Sheet metal and most fillet and lap joints must be clamped tightly their entire length. Gaps or bevels must be accurately controlled over the entire joint. Any variations in a joint make it necessary for the operator to reduce the welding speed to avoid burn-through and force him to make time-consuming manipulations of the electrodes.

Sufficient bevel is required for good bead shape and adequate penetration (Fig. 6-23). Insufficient bevel prevents adequate entry of the electrode into the joint. A deep, narrow bead also has a tendency to crack. However, excess bevel wastes material. Sufficient gap is needed for full penetration (Fig. 6-24). Excessive gap wastes metal and slows welding speed. Either a 1/8-in. land or a backup strip is required for fast welding and good quality with thick plate (Fig. 6-25).

Feather-edge preparations require a slow costly seal bead. However, double-V butt joints without a

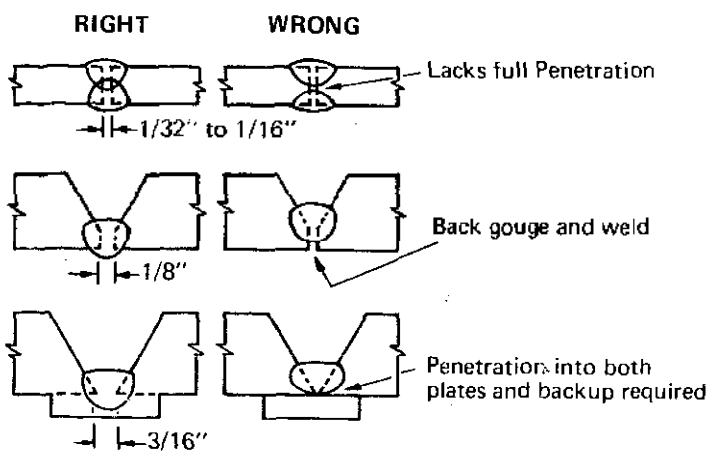


Fig. 6-24. Correct and incorrect gaps for proper penetration.

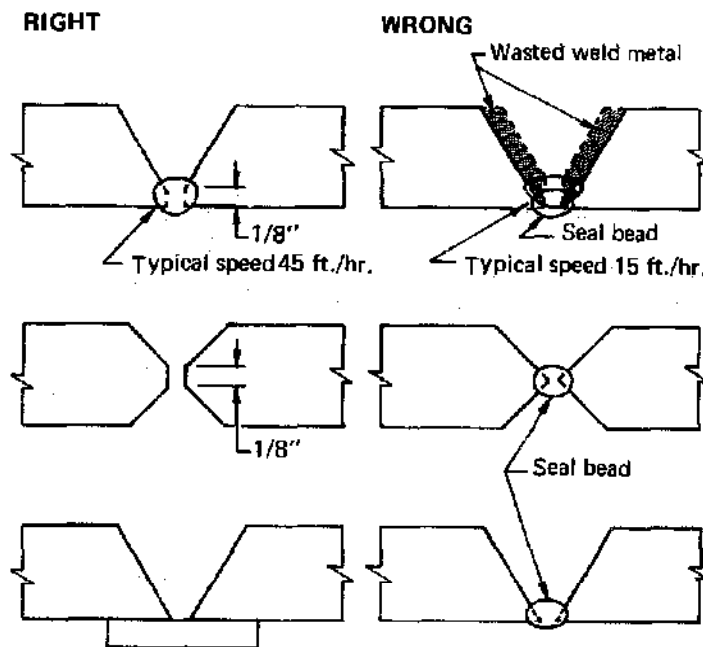


Fig. 6-25. Proper joint geometry for thick-plate welding.

land are practical when the seal bend cost is offset by easier edge preparation and the gap can be limited to about 3/32-in.

Weld seal beads on flat work with 3/16-in. E6010 electrodes at about 150 amp DCRP. Use 1/8-in. electrode at about 90 amp DCRP for vertical, overhead, and horizontal butt welds. Employ a combination whipping technique and circulating motion in the crater.

When low-hydrogen seal beads are required, use the appropriate EXX18 electrode. Weld with the same electrode sizes and about 20 amp higher current than recommended for E6010. Employ stringer bead technique with a slight weave when needed.

Back-gouging from the second side is needed: 1. For X-ray quality. 2. When irregular gap or poor technique produces a poor bead. 3. When a heavy bead is needed to prevent burnthrough of semi-automatic fill beads.

### Joint Cleanliness

To avoid porosity and attain the speeds indicated in the Procedure Tables, remove excessive scale, rust, moisture, paint, oil, and grease from the surface of the joints.

If paint, dirt, or rust cannot be removed — as is sometimes the case in maintenance welding — use E6010 or E6011 electrodes to penetrate through the contaminants deeply into the base metal. Slow the travel speed to allow time for gas bubbles to boil out of the molten weld before it freezes.

### Electrode Size

Large electrodes permit welding at high currents and high deposition rates. Therefore, use the largest electrode practical consistent with good weld quality. Electrode size is limited by many factors, but the most important considerations usually are:

1. High currents increase penetration. Therefore, electrode size is limited on sheet metal and with root passes where burnthrough can occur.
2. The maximum electrode size practical for vertical and overhead welding is 3/16-in. The 5/32-in. electrode is the maximum size for low-hydrogen electrodes.
3. High DC current increases arc blow. When arc blow is a problem, either use AC or limit the current.
4. Joint dimensions sometimes limit the electrode diameter that will fit into the joint.

### Preheat and Interpass Temperature

The use of preheat and minimum interpass temperatures may be dictated by the composition of the steel, by the thickness of the material, or by the degree of joint restraint. Preheating may be mandatory if the welding is done according to a code. For example, the preheating requirements in the AISC

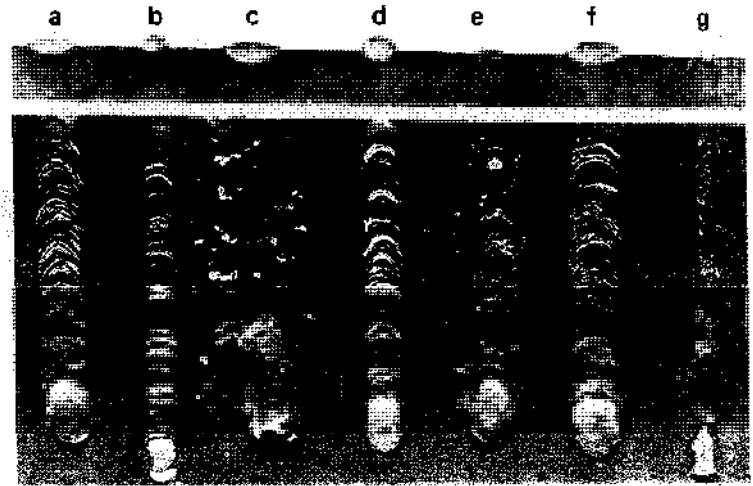


Fig. 6-26. Effect of welding variables on bead characteristics. Proper current, travel speed, and arc length (a). Current too low (b). Current too high (c). Arc length too short (d). Arc length too long (e). Travel speed too slow (f). Travel speed too fast (g).

specification for structural steel buildings are shown in Table 6-18. Other codes, such as the AWS Building Code D1.0-69 and the AWS Bridge Code D2.0-69, have similar requirements. (See Section 3.3)

### TROUBLE SHOOTING

Many operating variables can affect the quality and appearance of the weld. The effects produced by the most important of these variables are illustrated in Fig. 6-26. Common undesirable effects are

TABLE 6.18. MINIMUM PREHEAT AND INTERPASS TEMPERATURE. AWS D1.1-Rev. 1-73, 2-74, Table 4.2<sup>1,2</sup> (Degrees F)

Thickness of Thickest Part at Point of Welding - Inches	Welding Process				
	Shielded Metal-Arc Welding with other than Low-Hydrogen Electrode	Shielded Metal-Arc Welding with Low-Hydrogen Electrodes; Submerged-Arc Welding; Gas Metal-Arc Welding; or Flux-Cored Arc Welding		Shielded Metal-Arc Welding with Low-Hydrogen Electrodes; Submerged-Arc Welding with Carbon or Alloy Steel Wire, Neutral Flux; Gas Metal-Arc Welding; or Flux-Cored Arc Welding	Submerged Arc Welding with Carbon Steel Wire, Alloy Flux
	ASTM A36 <sup>4</sup> , A53 Gr. B, A106, A131, A139, A375, A381 Gr. Y35, A500, A501, A516 Gr. 55 and 60, A524, A529, A570 Gr. D and E, A573 Gr. 65, API 5L Gr. B; ABS Gr. A, B, C, CS, D, E, R	ASTM A36, A106, A131, A139, A242 Weldable Grade, A375, A381 Gr. Y35, A441, A516 Gr. 65 and 70, A524, A529, A537 Class 1 and 2, A570 Gr. D and E, A572 Gr. 42, 45, 50, A573 Gr. 65, A588, A618, API 5L Gr. B and 5LX Gr. 42; ABS Gr. A, B, C, CS, D, E, R, AH, DH, EH	ASTM A572 Grades 55, 60 and 65	ASTM A514, A517	ASTM A514, A517
To 3/4, incl.	None <sup>3</sup>	None <sup>3</sup>	70	50	50
Over 3/4 to 1-1/2, incl.	150	70	150	125	200
Over 1-1/2 to 2-1/2, incl.	225	150	225	175	300
Over 2-1/2	300	225	300	225	400

<sup>1</sup> Welding shall not be done when the ambient temperature is lower than zero F. When the base metal is below the temperature listed for the welding process being used and the thickness of material being welded, it shall be preheated (except as otherwise provided) in such manner that the surfaces of the parts on which weld metal is being deposited are at or above the specified minimum temperature for a distance equal to the thickness of the part being welded, but not less than 3 in., both laterally and in advance of the welding. Preheat and interpass temperatures must be sufficient to prevent crack formation. Temperature above the minimum shown may be required for highly restrained welds. For quenched and tempered steel the maximum preheat and interpass temperature shall not exceed 400°F for thickness up to 1-1/2 in., inclusive, and 450°F for greater thicknesses. Heat input when welding quenched and tempered steel shall not exceed the steel producer's recommendation.

<sup>2</sup> In joints involving combinations of base metals, preheat shall be as specified for the higher strength steel being welded.

<sup>3</sup> When the base metal temperature is below 32°F, preheat the base metal to at least 70°F and maintain this minimum temperature during welding.

<sup>4</sup> Only low-hydrogen electrodes shall be used for welding A36 steel more than 1 inch thick for bridges.



Fig. 6-27. Undesirable bead appearance caused by weld spatter.

shown in Figs. 6-27 through 6-29. Methods for correcting undesirable characteristics are discussed in the following paragraphs. Not discussed here is arc blow, which is covered in Section 3.2.

### Weld Spatter

Spatter does not affect weld strength but does produce a poor appearance and increases cleaning costs. To control excessive spatter:

1. Try lowering the current. Be sure the current is within the recommended range for the type and size electrode (See Table 6-12.)
2. Be sure the polarity is correct for the electrode type.
3. Try a shorter arc length.
4. If the molten metal is running in front of the arc, change the electrode angle.
5. Watch for arc blow.
6. Be sure the electrode is not too wet.

### Undercut

Generally, the only harm from undercutting is impaired appearance. However, undercutting may also impair weld strength, particularly when the weld is loaded in tension or subjected to fatigue. To minimize undercut:

1. Reduce current, travel speed, or electrode size until the puddle is manageable.
2. Change electrode angle so the arc force holds the metal in the corners. Use a uniform travel speed and avoid excessive weaving.

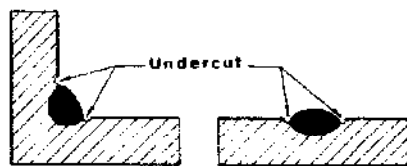


Fig. 6-28. Undercut in a weld. The effect is undesirable from the appearance standpoint and may weaken the joint.

### Rough Welding

If polarity and current are within the electrode manufacturer's recommendations but the arc action is rough and erratic, the electrodes may be wet. Try electrodes from a fresh container. If the problem occurs frequently, store open containers of electrodes in a heated cabinet.

### Porosity and Surface Holes

Most porosity is not visible. But severe porosity can weaken the weld. The following practices minimize porosity:

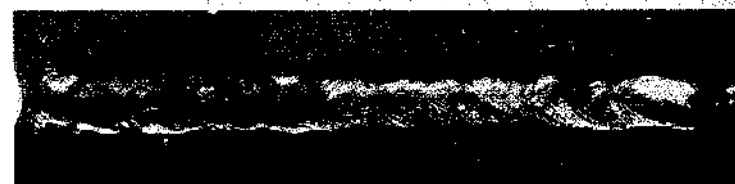
1. Remove scale, rust, paint, moisture, or dirt from the joint. Generally use an E6010 or E6011 electrode for dirty steel.
2. Keep the puddle molten for a long time, so that gases may boil out before the metal freezes.
3. Steels very low in carbon or manganese or those high in sulfur or phosphorus should be



Porosity



Surface Holes



Poor Fusion



Shallow Penetration

Fig. 6-29. Undesirable effects caused by improper procedures and techniques.

welded with a low-hydrogen electrode. Minimize admixture of base metal with weld metal by using low currents and fast travel speeds for less penetration.

4. Try using a short arc length; short arcs are required for low-hydrogen electrodes.

Surface holes can be avoided by many of the practices used to minimize porosity.

### Poor Fusion

Proper fusion exists when the weld bonds to both walls of the joint and forms a solid bead across the joint. Lack of fusion is often visible and must be avoided for a sound weld. To correct poor fusion:

1. Try a higher current and a stringer-bead technique.
2. Be sure the edges of the joint are clean, or use an E6010 or E6011 electrode.
3. If gap is excessive, provide better fitup or use a weave technique to fill the gap.

### Shallow Penetration

Penetration refers to the depth the weld enters into the base metal. For full-strength welds, penetration to the bottom of the joint is required. To overcome shallow penetration:

1. Try higher currents or slower travel.
2. Use small electrodes to reach into deep, narrow grooves.
3. Allow some gap (free space) at the bottom of the joint.

### Cracking

Many different types of cracks may occur throughout a weld. Some are visible and some are not. However, all cracks are potentially serious, because they can lead to complete failure of the weld. The following suggestions may help control potential cracking. Practices to minimize cracks are shown in Fig. 6-30.

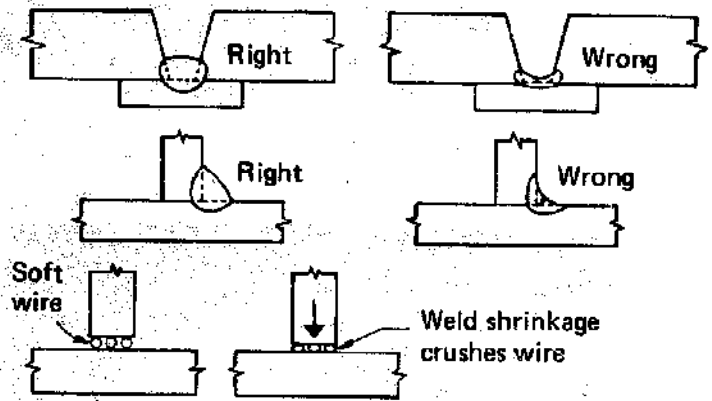


Fig. 6-30. Factors in controlling weld cracking. Illustrated are correct and incorrect joint geometries and bead shapes and a technique to permit stress relaxation in an otherwise rigid joint.

Most cracking is attributed to high-carbon or alloy content or high-sulfur content in the base metal. To control this type of cracking:

1. Use low-hydrogen electrodes.
2. Preheat. Use high preheats for heavier plate and rigid joints.
3. Reduce penetration by using low currents and small electrodes. This reduces the amount of alloy added to the weld from melted base metal.

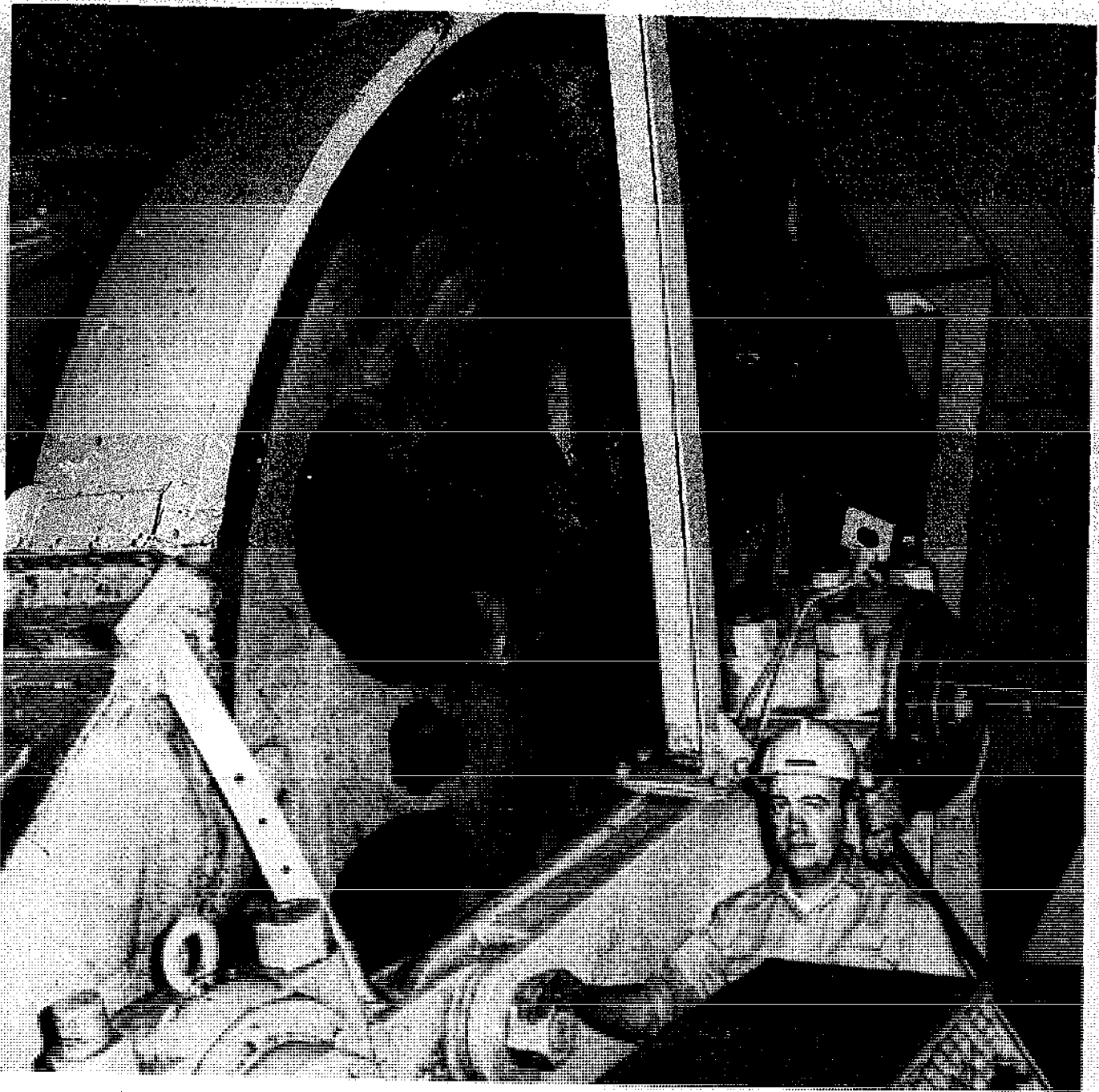
To control crater cracking, fill each crater before breaking the arc. Use a back-stepping technique so as to end each weld on the crater of the previous weld.

On multiple-pass or fillet welds, be sure the first bead is of sufficient size and of flat or convex shape to resist cracking until the later beads can be added for support. To increase bead size, use slower travel speed, a short arc, or weld  $5^{\circ}$  uphill. Always continue welding while the plate is hot.

Rigid parts are more prone to cracking. If possible, weld toward the unrestrained end. Leave a  $1/32$ -in. gap between plates for free shrinkage movement as the weld cools. Peen each bead while it is still hot to relieve stresses.

For more on cracking, see Section 6.1.





Arc welding was the only practical means of fabricating this large bull gear for a huge stripper shovel.

## INTRODUCTION TO WELDING PROCEDURES

The ideal welding procedure is the one that will produce acceptable quality welds at the lowest over-all cost. So many factors influence the optimum welding conditions that it is impossible to write procedures for each set of conditions. In selecting a procedure, the best approach is to study the conditions of the application and then choose the procedure that most nearly accommodates them. The procedures given here are typical, and it may be necessary to make adjustments for a particular application to produce a satisfactory weld.

For some joints, different procedures are offered to suit the weld quality — code quality and commercial quality — that may be required.

### Code-Quality Procedures

Code-quality procedures are intended to provide the highest level of quality and appearance. To accomplish this, conservative currents and travel speeds are recommended.

These procedures are aimed at producing welds that will meet the requirements of the commonly used codes: AWS Structural, AISC Buildings and Bridges, ASME Pressure Vessels, AASHTO Bridges, and others. Code-quality welds are intended to be defect-free to the extent that they will measure up to the nondestructive testing requirements normally imposed by these codes. This implies crack-free, pressure-tight welds, with little or no porosity or undercut.

The specific requirements of codes are so numerous and varied that code-quality procedures may not satisfy every detail of a specific code. Procedure qualification tests are recommended to confirm the acceptability of chosen procedures.

All butt welds made to code quality are full-penetration; fillet welds are full-size, as required by most codes. (The theoretical throat, rather than the true throat, is used as the basis of calculating strength.)

### Commercial-Quality Procedures

Commercial quality implies a level of quality and appearance that will meet the nominal require-

ments imposed on most of the welding done commercially. These welds will be pressure-tight and crack-free. They will have good appearance, and they will meet the normal strength requirements of the joint.

Procedures for commercial-quality welds are not as conservative as code-quality procedures; speeds and currents are generally higher. Welds made according to these procedures may have minor defects that would be objectionable to the more demanding codes.

It is recommended that appropriate tests be performed to confirm the acceptability of the selected procedure for the application at hand prior to putting it into production.

### Weldability of Material

Weldability (see Section 6.1) of a steel has a considerable effect on the welding procedure. For some joints, more than one procedure is offered because of the marginal weldability of the steel.

Good weldability indicates a steel with a composition that is within the preferred range (see Table 6-1) — one whose chemistry does not limit the welding speed.

Fair weldability indicates a steel with one or more elements outside the preferred range or one that contains one or more alloys. These steels require a lower welding speed or a mild preheat, or both, to minimize defects such as porosity, cracking, and undercut.

Poor weldability steels are those with compositions outside the preferred range, alloy additions, segregations, previous heat-treatment, or some other condition that makes them difficult to weld. These steels require still lower welding speeds, preheat, possibly a postheat, and careful electrode selection to obtain a satisfactory weld.

The addition of alloys to steel that enhance the mechanical properties or hardenability usually have an adverse effect on weldability. In general, the weldability of low-alloy steels is never better than "fair."

**DATA SHEET**

Article to be Welded \_\_\_\_\_ Job No. \_\_\_\_\_

Plate Specs or Analysis \_\_\_\_\_

Welding Process \_\_\_\_\_ Submitted by: \_\_\_\_\_ Date: \_\_\_\_\_

<b>JOINT-PREPARATION – BEAD PLACEMENT, SIZE, SEQUENCE</b>																					

<b>WORK ANGLE – DRAG ANGLE ELECTRODE ANGLE TO JOINT</b>																					

Pass No	AC DC (+ -)	Amps	Volts	Travel Speed "/Min	Electrode Type	Elect. Size	Stick- Out	Flux Type						

Special Comments \_\_\_\_\_

\_\_\_\_\_

\_\_\_\_\_

\_\_\_\_\_

\_\_\_\_\_

### Procedures Notes

In the following fillet-weld procedures, the fillet size is always associated with a particular plate thickness. This relationship is given solely for the purpose of designing a welding procedure and does not imply that a certain size fillet is the only size applicable to that plate thickness. In some of the procedures, the fillet size shown is larger than necessary to meet code requirements for the plate thickness. In such instances, select the procedure for the proper weld size and quality. If the thickness of the plate being welded is appreciably greater than that specified in the procedure, a reduction in welding speed and current will probably be required.

The procedure data given have been developed to provide the most economical procedures for various applications. In some cases, more than one type or size of electrode is recommended for the same joint. In small shops, electrode selection may depend on the available power source; consequently, some joints have procedures for either AC or DC welders.

With some joints procedures for two different types of electrodes are given — for example, E7014 or E7024, E7018 or E7028. This allows a choice of electrodes so the one with the better usability characteristics can be selected.

Any procedure for a poor or fair welding quality steel may be used on a steel of a better welding quality.

Travel speed is given as a range. The electrode required and the total time are based on the middle of the range.

Unless otherwise indicated, both members of the joint are the same thickness.

Pounds-of-electrode data include all ordinary deposition losses. These values are in terms of pounds of electrode needed to be purchased.

Total time is the arc time only and does not allow for operating factor.

After a satisfactory welding procedure has been established, all the data should be recorded and filed for future reference. This information is invaluable if the same job or a similar job occurs at a later date. A suggested data sheet is shown on the opposite page.

The presented procedures are offered as a starting point and may require changes to meet the requirements of specific applications. Because the many variables in design, fabrication, and erection or assembly affect the results obtained in applying this type of information, the serviceability of the product or structure is the responsibility of the builder.

## SHIELDED METAL-ARC (MANUAL)

Position: Flat  
 Weld Quality Level: Commercial  
 Steel Weldability: Good  
 Welded From: One side

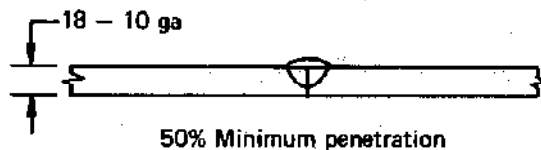


Plate Thickness (in.)	0.048 (18 ga)	0.060 (16 ga)	0.075 (14 ga)	0.105 (12 ga)	0.135 (10 ga)*
Pass	1	1	1	1	1
Electrode Class	E6010	E6010	E6010	E6010	E6010
Size	3/32	1/8	1/8	5/32	3/16
Current (amp) DC(+)	40†	70†	80	120	135
Arc Speed (in./min)	22 - 26	30 - 35	25 - 30	20 - 24	17 - 21
Electrode Req'd (lb/ft)	0.0244	0.0287	0.0262	0.0487	0.0695
Total Time (hr/ft of weld)	0.00833	0.00615	0.00727	0.00909	0.0105

\* Use 1/16 in. gap and whip the electrode.

† DC(-)

## SHIELDED METAL-ARC (MANUAL)

Position: Flat  
 Weld Quality Level: Commercial  
 Steel Weldability: Good  
 Welded From: One side

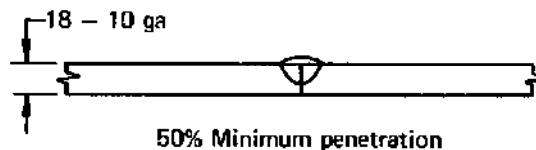


Plate Thickness (in.)	0.048 (18 ga)	0.060 (16 ga)	0.075 (14 ga)	0.105 (12 ga)	0.135 (10 ga)*
Pass	1	1	1	1	1
Electrode Class	E6011	E6011	E6011	E6011	E6011
Size	3/32	1/8	1/8	5/32	3/16
Current (amp) AC	50	100	105	130	145
Arc Speed (in./min)	20 - 24	28 - 33	26 - 31	24 - 29	22 - 27
Electrode Req'd (lb/ft)	0.0251	0.0326	0.0367	0.0527	0.0648
Total Time (hr/ft of weld)	0.00909	0.00656	0.00702	0.00755	0.00817

\* Use 1/16 in. gap and whip the electrode.

SHIELDED METAL-ARC (MANUAL)

Position: Flat  
 Weld Quality Level: Code  
 Steel Weldability: Good  
 Welded From: One side

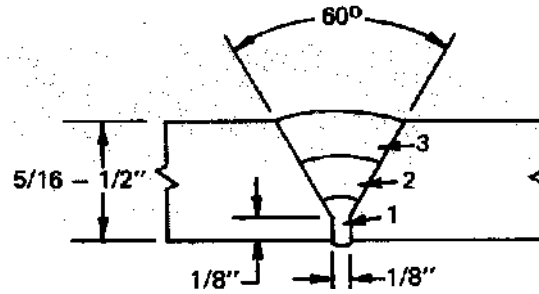


Plate Thickness (in.)	5/16		3/8		1/2		
Pass	1	2	1	2 & 3	1	2	3
Electrode Class	E6011	E6027	E6011	E6027	E6011	E6011	E6027
Size	5/32	5/32	5/32	5/32	5/32	1/4	1/4
Current (amp) AC	135	240	135	240	135	275	400
Arc Speed (in./min)	5.5-6.5	12.0-14.0	5.5-6.5	12.0-14.0	5.5-6.5	8.0-10.0	10.0-12.0
Electrode Req'd (lb/ft)	0.168	0.142	0.168	0.284	0.168	0.228	0.354
Total Time (hr/ft of weld)	0.0487		0.0641		0.0717		

SHIELDED METAL-ARC (MANUAL)

Position: Flat  
 Weld Quality Level: Code  
 Steel Weldability: Good  
 Welded From: One side

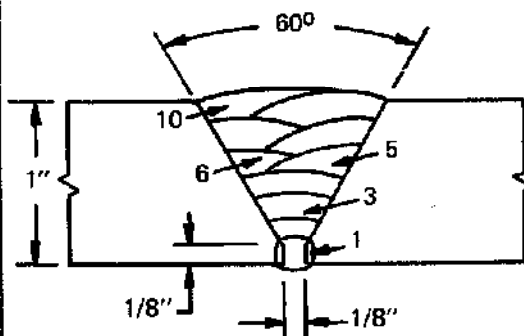
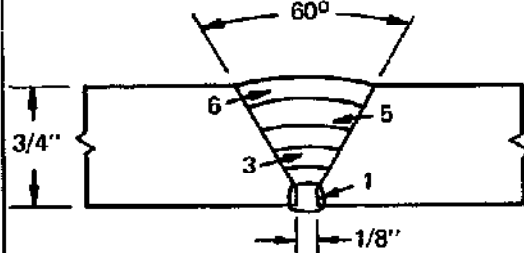


Plate Thickness (in.)	3/4			1		
Pass	1	2	3 - 6	1	2	3 - 10
Electrode Class	E6011	E6011	E6027	E6011	E6011	E6027
Size	5/32	1/4	1/4	5/32	1/4	1/4
Current (amp) AC	135	275	400	135	275	400
Arc Speed (in./min)	5.5 - 6.5	8.0 - 10.0	11.0 - 13.0	5.5 - 6.5	8.0 - 10.0	11.0 - 13.0
Electrode Req'd (lb/ft)	0.168	0.228	1.47	0.168	0.228	2.94
Total Time (hr/ft of weld)	0.122			0.189		

**SHIELDED METAL-ARC (MANUAL)**

Position: Flat Weld Quality Level: Commercial Steel Weldability: Good Welded From: One side						
	Plate Thickness (in.)	5/16		3/8		1/2
Pass	1	2 - 3	1	2 - 3	1	2 - 4
Electrode Class	E6027	E6027	E6027	E6027	E6027	E6027
Size	3/16	1/4	3/16	1/4	3/16	1/4
Current (amp) AC	300	400	300	400	300	400
Arc Speed (in./min)	13.0-15.0	15.0-18.0	13.0-15.0	11.5-13.5	13.0-15.0	12.5-14.5
Electrode Req'd (lb/ft)	0.228	0.524	0.228	0.697	0.228	1.00
Total Time (hr/ft of weld)	0.0385		0.0463		0.0605	

**SHIELDED METAL-ARC (MANUAL)**

Position: Flat Weld Quality Level: Commercial Steel Weldability: Good Welded From: One side						
	Plate Thickness (in.)	5/8		3/4		1
Pass	1	2 - 5	1	2 - 6	1	2 - 8
Electrode Class	E6027	E6027	E6027	E6027	E6027	E6027
Size	3/16	1/4	3/16	1/4	3/16	1/4
Current (amp) AC	300	400	300	400	300	400
Arc Speed (in./min)	13.0-15.0	12.5-14.5	13.0-15.0	12.5-14.5	13.0-15.0	12.5-14.5
Electrode Req'd (lb/ft)	0.228	1.35	0.228	1.69	0.228	2.37
Total Time (hr/ft of weld)	0.0759		0.0913		0.122	

**SHIELDED METAL-ARC (MANUAL)**

Position: Flat  
 Weld Quality Level: Code  
 Steel Weldability: Good  
 Welded From: Two sides

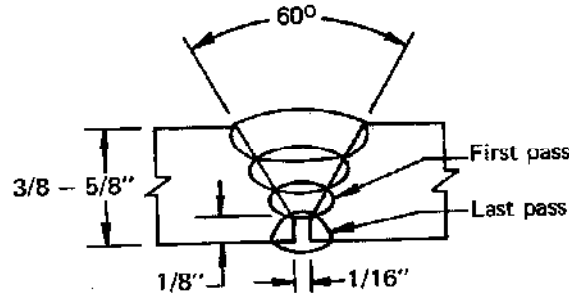


Plate Thickness (in.)	3/8		1/2		5/8		
	1	2 & 3	1	2 & 3	1	2 & 3	4
Pass							
Electrode Class	E6011	E6027	E6011	E6027	E6011	E6027	E6027
Size	3/16	3/16	1/4	7/32	1/4	1/4	7/32
Current (amp) AC	175	280	275	340	275	375	340
Arc Speed (in./min)	8.0-10.0	14.5-17.5	7.0-9.0	13.5-15.5	7.0-9.0	12.5-14.5	11.5-13.5
Electrode Req'd (lb/ft)	0.148	0.366	0.239	0.480	0.241	0.795	0.235
Total Time (hr/ft of weld)	0.0472		0.0526		0.0706		

Back gouge first pass before welding last pass.

**SHIELDED METAL-ARC (MANUAL)**

Position: Flat  
 Weld Quality Level: Code  
 Steel Weldability: Good  
 Welded From: Two sides

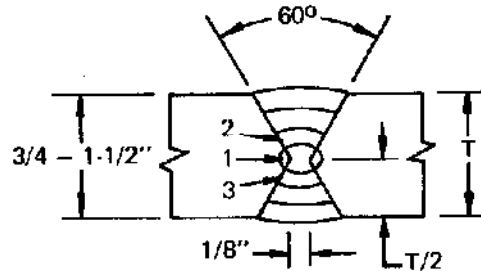


Plate Thickness (in.)	3/4			1			1-1/2		
	1	2 & 3	4 & 5	1	2 & 3	4 - 7	1	2 & 3	4 - 10
Pass									
Electrode Class	E6011	E6011	E6027	E6011	E6011	E6027	E6011	E6011	E6027
Size	3/16	1/4	1/4	3/16	1/4	1/4	3/16	1/4	1/4
Current (amp) AC	135	275	400	135	275	400	135	275	400
Arc Speed (in./min)	5.5-6.5	8.0-10.0	11.0-13.0	5.5-6.5	8.0-10.0	11.0-13.0	5.5-6.5	8.0-10.0	9.5-11.5
Electrode Req'd (lb/ft)	0.190	0.400	0.728	0.190	0.400	1.45	0.190	0.400	3.04
Total Time (hr/ft of weld)	0.111			0.144			0.211		

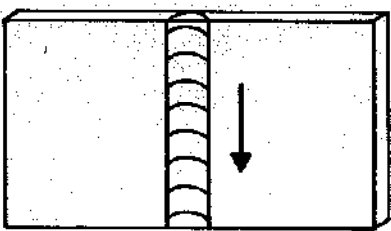
Back gouge first pass before welding third pass. Complete third pass side before turning over.



**SHIELDED METAL-ARC (MANUAL)**

Position: Vertical down  
 Weld Quality Level: Commercial  
 Steel Weldability: Good  
 Welded From: One side

18 - 10 ga



50% Minimum penetration

Plate Thickness (in.)	0.048 (18 ga)	0.060 (16 ga)	0.075 (14 ga)	0.105 (12 ga)	0.135 (10 ga)*
Pass	1	1	1	1	1
Electrode Class	E6010	E6010	E6010	E6010	E6010
Size	3/32	1/8	1/8	5/32	3/16
Current (amp) DC(+)	45†	75†	90	130	150
Arc Speed (in./min)	25 - 30	33 - 38	27 - 32	22 - 27	18 - 22
Electrode Req'd (lb/ft)	0.0234	0.0281	0.0272	0.0478	0.0730
Total Time (hr/ft of weld)	0.00727	0.00555	0.00678	0.00817	0.00100

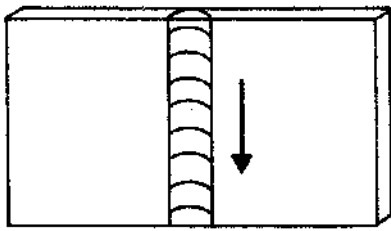
\* Use 1/16 in. gap and whip the electrode.

† Use DC(-)

**SHIELDED METAL-ARC (MANUAL)**

Position: Vertical down  
 Weld Quality Level: Commercial  
 Steel Weldability: Good  
 Welded From: One side

18 - 10 ga



50% Minimum penetration

Plate Thickness (in.)	0.048 (18 ga)	0.060 (16 ga)	0.075 (14 ga)	0.105 (12 ga)	0.135 (10 ga)*
Pass	1	1	1	1	1
Electrode Class	E6011	E6011	E6011	E6011	E6011
Size	3/32	1/8	1/8	5/32	3/16
Current (amp) AC	55	110	115	140	155
Arc Speed (in./min)	23 - 28	29 - 34	27 - 32	26 - 31	24 - 29
Electrode Req'd (lb/ft)	0.0236	0.0345	0.0376	0.0523	0.0640
Total Time (hr/ft of weld)	0.00785	0.00635	0.00678	0.00703	0.00755

\* Use 1/16 in. gap and whip the electrode.

**SHIELDED METAL-ARC (MANUAL)**

Position: Vertical up  
 Weld Quality Level: Code  
 Steel Weldability: Good  
 Welded From: One side

Plate Thickness (in.)	1/4	5/16	3/8	1/2
Pass	1 & 2	1 & 2	1 & 2	1 - 3
Electrode Class	E6010	E6010	E6010	E6010
Size	5/32	5/32	3/16	3/16
Current (amp) DC(+)	110	120	150	170
Arc Speed (in./min)*	5.2-5.8	3.8-4.2	4.8-5.3	3.8-4.2
Electrode Req'd (lb/ft)	0.323	0.440	0.586	0.990
Total Time (hr/ft of weld)	0.0901	0.118	0.130	0.152

\* First pass only. Vary speed on succeeding passes to obtain proper weld size.

**SHIELDED METAL-ARC (MANUAL)**

Position: Vertical up  
 Weld Quality Level: Code  
 Steel Weldability: Good  
 Welded From: One side

Plate Thickness (in.)	5/8	3/4	1
Pass	1 - 4	1 - 6	1 - 10
Electrode Class	E6010	E6010	E6010
Size	3/16	3/16	3/16
Current (amp) DC(+)	170	170	170
Arc Speed (in./min)*	3.8 - 4.2	3.8 - 4.2	3.8 - 4.2
Electrode Req'd (lb/ft)	1.48	2.08	3.56
Total Time (hr/ft of weld)	0.228	0.318	0.547

\* First pass only. Vary speed on succeeding passes to obtain proper weld size.

SHIELDED METAL-ARC (MANUAL)

Position: Vertical up  
 Weld Quality Level: Code  
 Steel Weldability: Fair  
 Welded From: One side

Plate Thickness (in.)	3/8		1/2		3/4		1	
Pass	1	2	1	2-3	1	2-7	1	2-11
Electrode Class	E6010	E7018	E6010	E7018	E6010	E7018	E6010	E7018
Size	5/32	5/32	5/32	5/32	5/32	5/32	5/32	5/32
Current (amp) DC(+)	160	160	160	160	160	160	160	160
Arc Speed (in./min)	4.3-4.7	3.2-3.5*	4.3-4.7	3.2-3.5*	4.3-4.7	3.2-3.5*	4.3-4.7	3.2-3.5*
Electrode Req'd (lb/ft)	0.281	0.341	0.281	0.758	0.281	1.93	0.281	3.52
Total Time (hr/ft of weld)	0.104		0.176		0.381		0.659	

\* Second pass only. Vary speed on succeeding passes to obtain proper weld size.

SHIELDED METAL-ARC (MANUAL)

Position: Vertical up  
 Weld Quality Level: Code  
 Steel Weldability: Good  
 Welded From: Two sides

Plate Thickness (in.)	3/4		1		1-1/4		1-1/2	
Pass	1	2-5	1	2-7	1	2-7	1	2-9
Electrode Class	E6010	E7018	E6010	E7018	E6010	E7018	E6010	E7018
Size	5/32	5/32	5/32	5/32	5/32	5/32	5/32	5/32
Current (amp) DC(+)	140	160	140	160	140	160	140	160
Arc Speed (in./min)	3.5-4.1	4.1-4.9	3.5-4.1	3.5-4.1	3.9-4.1	2.3-2.9	3.5-4.1	2.4-3.0
Electrode Req'd (lb/ft)	0.240	0.900	0.240	1.66	0.240	2.40	0.240	3.16
Total Time (hr/ft of weld)	0.230		0.367		0.514		0.645	

Gouge out seam for first pass on second side.

## SHIELDED METAL-ARC (MANUAL)

Position: Horizontal Quality Level: Code Weldability: Fair Welded From: One side								
Plate Thickness (in.)	3/8		1/2		5/8		3/4	
	1	2-5	1	2-7	1	2-9	1	2-11
Electrode Class	E7018		E7018		E7018		E7018	
Size (in.)	3/16		3/16		3/16		3/16	
Current (amp) DC(+)	240		240		240		240	
Arc Speed (in./min)	4.5-5.5	8.5-9.5	4.5-5.5	7.5-8.5	4.5-5.5	6.7-7.4	5.5-6.5	6.2-6.8
Electrode Req'd (lb/ft)	0.867		1.35		1.75		2.42	
Total Time (hr/ft of weld)	0.118		0.182		0.270		0.345	

## SHIELDED METAL-ARC (MANUAL)

Position: Horizontal Weld Quality Level: Code Steel Weldability: Fair Welded From: One side								
Plate Thickness (in.)	1		1-1/4		1-1/2			
Pass	1*	2-13	14-19†	2-17	18-24†	2-22	23-31†	
Electrode Class	E7018	E7018		E7018		E7018		
Size (in.)	3/16	7/32	3/16	7/32	3/16	7/32	3/16	
Current (amp) DC(+)	240	280	240	280	240	280	240	
Arc Speed (in./min)	5-6	6.2-6.8	9.5-10.5	5.7-6.3	9.5-10.5	5.2-5.8	9.5-10.5	
Electrode Req'd (lb/ft)		3.39	.994	4.82	1.23	6.40	1.60	
Total Time (hr/ft of weld)		0.526		.714		1.00		

\* First pass for all thicknesses

† Cover passes.

**SHIELDED METAL-ARC (MANUAL)**

Position: Horizontal  
 Weld Quality Level: Commercial  
 Steel Weldability: Fair  
 Welded From: Two sides

Plate Thickness (in.)	3/4		1		1-1/4		1-1/2	
Pass	1	2 - 6	1	2 - 10	1	2 - 10	1	2 - 12
Electrode Class	E7018	E7018	E7018	E7018	E7018	E7018	E7018	E7018
Size	3/16	3/16	3/16	3/16	3/16	3/16	3/16	3/16
Current (amp) DC(+)	240	240	240	240	240	240	240	240
Arc Speed (in./min)	5.5-6.5	9.0-11.0	4.4-5.2	8.5-10.5	3.8-4.6	5.5-6.5	3.7-4.3	4.6-5.4
Electrode Req'd (lb/ft)	0.956		1.47		2.60		3.84	
Total Time (hr/ft of weld)	0.133		0.230		0.347		0.490	

Fill first pass side. Back gouge as required before welding second side.

**SHIELDED METAL-ARC (MANUAL)**

Position: Horizontal  
 Weld Quality Level: Code  
 Steel Weldability: Fair  
 Welded From: One side

Plate Thickness (in.)		3/4	1	1-1/4	1-1/2
Pass	1*	2 - 3	2 - 5	2 - 5	2 - 6
Electrode Class	E7018	E7018	E7018	E7018	E7018
Size (in.)	3/16	3/16	3/16	3/16	3/16
Current (amp) DC(+)	240	240	240	240	240
Arc Speed (in./min)	4.0-6.0	9.5-10.5	9.0-10.0	5.7-6.3	4.7-5.3
Electrode Req'd (lb/ft)		0.470	0.740	1.80	1.92
Total Time (hr/ft of weld)		0.0800	0.116	0.178	0.250

\* First pass for all thicknesses.

SHIELDED METAL-ARC (MANUAL)

Position: Overhead  
 Weld Quality Level: Code  
 Steel Weldability: Fair  
 Welded From: One side

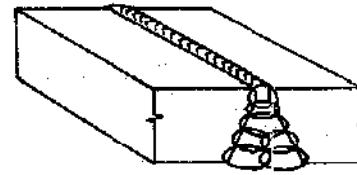
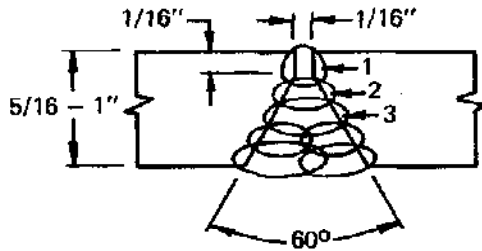
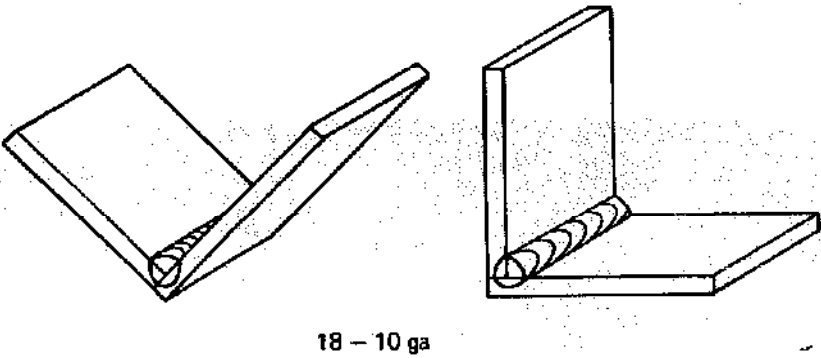


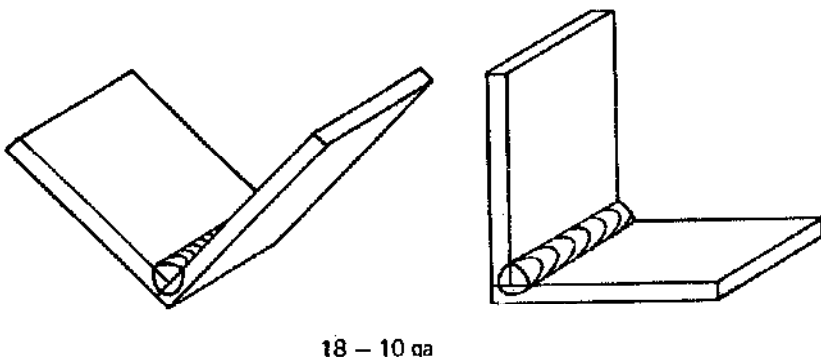
Plate Thickness (in.)	5/16		3/8		1/2		3/4		1	
Pass	1	2	1	2-3	1	2-5	1	2-9	1	2-13
Electrode Class	E6010	E7018	E6010	E7018	E6010	E7018	E6010	E7018	E6010	E7018
Size	1/8	5/32	1/8	5/32	1/8	5/32	1/8	5/32	1/8	5/32
Current (amp) DC(+)	110	170	110	170	110	170	110	170	110	170
Arc Speed (in./min)	4.3 - 4.7	3.4 - 3.8	4.3 - 4.7	3.3 - 3.7	4.3 - 4.7	3.6 - 4.0	4.3 - 4.7	4.3 - 4.7	4.3 - 4.7	3.6 - 4.0
Electrode Req'd (lb/ft)	0.155	0.327	0.155	0.671	0.155	0.918	0.155	2.08	0.155	3.70
Total Time (hr/ft of weld)	0.0999		0.158		0.202		0.399		0.575	

Split layers after third pass, as shown in sketch.

**SHIELDED METAL-ARC (MANUAL)**

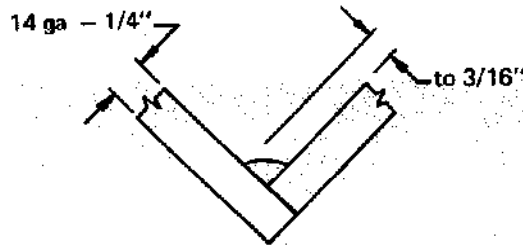
Position: Flat and horizontal Weld Quality Level: Commercial Steel Weldability: Good	 <p style="text-align: center;">18 - 10 ga</p>				
	Plate Thickness (in.)	0.048 (18 ga)	0.060 (16 ga)	0.075 (14 ga)	0.105 (12 ga)
Pass	1	1	1	1	1
Electrode Class	E6013	E6012	E6012	E6012	E6012
Size	3/32	1/8	5/32	3/16	3/16
Current (amp) DC(-)	70	95	140	190	200
Arc Speed (in./min)	14 - 18	15 - 19	16 - 20	20 - 24	16 - 20
Electrode Req'd (lb/ft)	0.0413	0.0583	0.0848	0.0865	0.112
Total Time (hr/ft of weld)	0.0125	0.0118	0.0111	0.00910	0.0111

**SHIELDED METAL-ARC (MANUAL)**

Position: Flat and horizontal Weld Quality Level: Commercial Steel Weldability: Good	 <p style="text-align: center;">18 - 10 ga</p>				
	Plate Thickness (in.)	0.048 (18 ga)	0.060 (16 ga)	0.075 (14 ga)	0.105 (12 ga)
Pass	1	1	1	1	1
Electrode Class	E6013	E6013	E6013	E6013	E6013
Size	3/32	1/8	5/32	5/32	3/16
Current (amp) AC	70	105	155	160	210
Arc Speed (in./min)	14 - 18	14 - 18	15 - 19	14 - 18	14 - 18
Electrode Req'd (lb/ft)	0.0413	0.0495	0.0670	0.0742	0.0926
Total Time (hr/ft of weld)	0.0125	0.0125	0.0118	0.0125	0.0125

## SHIELDED METAL-ARC (MANUAL)

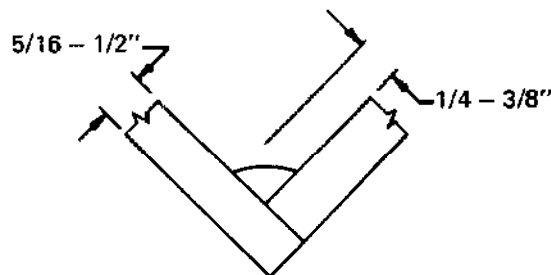
Position: Flat  
Weld Quality Level: Commercial  
Steel Weldability: Good



Weld Size, L (in.)				5/32	5/32	3/16	3/16
Plate Thickness (in.)	0.075 (14 ga)	0.105 (12 ga)	0.135 (10 ga)	3/16		1/4	
Pass	1	1	1	1	1	1	1
Electrode Class	E7024	E7024	E7024	E7024	E7024	E7024	E7024
Size	3/32	1/8	1/8	1/8	5/32	5/32	3/16
Current (amp) AC	95	150	160	180	210	230	270
Arc Speed (in./min)	14.5-16.0	16.5-18.5	16.5-18.5	15.0-16.5	16.0-18.0	14.0-15.5	15.5-17.5
Electrode Req'd (lb/ft)	0.0485	0.0760	0.0822	0.102	0.117	0.144	0.162
Total Time (hr/ft of weld)	0.0131	0.0114	0.0114	0.0127	0.0117	0.0136	0.0121

## SHIELDED METAL-ARC (MANUAL)

Position: Flat  
Weld Quality Level: Commercial  
Steel Weldability: Good



Weld Size, L (in.)	1/4	1/4	9/32	5/16	3/8
Plate Thickness (in.)	5/16		3/8		1/2
Pass	1	1	1	1	1
Electrode Class	E7024	E7024	E7024	E7024	E7024
Size	3/16	7/32	1/4	1/4	5/16
Current (amp) AC	275	325	375	375	475
Arc Speed (in./min)	14.0-16.0	16.0-18.0	17.0-19.0	14.0-15.0	11.0-12.0
Electrode Req'd (lb/ft)	0.19	0.20	0.22	0.29	0.38
Total Time (hr/ft of weld)	0.0133	0.0118	0.0131	0.138	0.174



**SHIELDED METAL-ARC (MANUAL)**

Position: Flat Weld Quality Level: Commercial Weldability: Good								
	Weld Size, L (in.)	1/2		9/16		5/8		3/4
Plate Thickness (in.)	5/8		3/4		3/4		1	
Pass	1	2	1	2	1	2 & 3	1	2 - 4
Electrode Class	E7024	E7024	E7024	E7024	E7024	E7024	E7024	E7024
Size	5/16	5/16	5/16	5/16	5/16	5/16	5/16	5/16
Current (amp) AC	475	550	475	550	475	550	475	550
Arc Speed (in./min)	13.0-15.0	14.0-16.0	13.0-15.0	10.0-11.0	13.0-15.0	14.0-15.0	13.0-15.0	13.0-14.0
Electrode Req'd (lb/ft)	0.67		0.85		1.07		1.46	
Total Time (hr/ft of weld)	0.0276		0.0333		0.0429		0.587	

**SHIELDED METAL-ARC (MANUAL)**

Position: Flat Weld Quality Level: Commercial Steel Weldability: Good					
	Weld Size, L (in.)	5/32	3/16	1/4	5/16
Plate Thickness (in.)	3/16	1/4	5/16	3/8	1/2
Pass	1	1	1	1	1
Electrode Class	E7014	E7014	E7014	E7014	E7014
Size	5/32	3/16	7/32	1/4	5/16
Current (amp) AC	200	250	310	370	450
Arc Speed (in./min)	12.5-13.5	12.0-13.0	11.0-12.0	9.0-10.0	7.5-8.5
Electrode Req'd (lb/ft)	0.0980	0.121	0.191	0.270	0.375
Total Time (hr/ft of weld)	0.0154	0.0160	0.0174	0.0211	0.0250

## SHIELDED METAL-ARC (MANUAL)

Position: Flat Weld Quality Level: Code Steel Weldability: Good								
Weld Size, L (in.)	5/32	3/16		1/4		9/32	5/16	3/8
Plate Thickness (in.)	3/16	1/4		5/16		3/8		1/2
Pass	1	1	1	1	1	1	1	1
Electrode Class	E6027	E6027	E6027	E6027	E6027	E6027	E6027	E6027
Size	5/32	5/32	3/16	3/16	7/32	1/4	1/4	1/4
Current (amp) AC	210	220	260	270	335	380	390	400
Arc Speed (in./min)	15.5-17.0	13.5-15.0	15.5-17.0	12.5-14.0	14.5-16.0	14.0-15.5	11.0-12.0	9.5-10.5
Electrode Req'd (lb/ft)	0.119	0.146	0.167	0.215	0.228	0.269	0.343	0.428
Total Time (hr/ft of weld)	0.0123	0.0140	0.0123	0.0151	0.0131	0.0136	0.0174	0.0200

## SHIELDED METAL-ARC (MANUAL)

Position: Flat Weld Quality Level: Code Steel Weldability: Good								
Weld Size, L (in.)	1/2		9/16		5/8		3/4	
Plate Thickness (in.)	5/8		3/4		3/4		1	
Pass	1	2	1	2	1	2 & 3	1	2 - 4
Electrode Class	E6027	E6027	E6027	E6027	E6027	E6027	E6027	E6027
Size	1/4	1/4	1/4	1/4	1/4	1/4	1/4	1/4
Current (amp) AC	400	400	400	400	400	400	400	400
Arc Speed (in./min)	11.5-12.5	11.5-12.5	11.5-12.5	7.5-8.5	11.5-12.5	11.0-12.0	11.5-12.5	10.0-11.0
Electrode Req'd (lb/ft)	0.727		0.936		1.12		1.58	
Total Time (hr/ft of weld)	0.0333		0.0417		0.512		0.0737	

## SHIELDED METAL-ARC (MANUAL)

Position: Flat Weld Quality Level: Code Steel Weldability: Poor					
Weld Size, L (in.)	5/32	3/16	1/4	5/16	3/8
Plate Thickness (in.)	3/16	1/4	5/16	3/8	1/2
Pass	1	1	1	1	1
Electrode Class	E7028	E7028	E7028	E7028	E7028
Size	5/32	3/16	3/16	7/32	1/4
Current (amp) AC	215	260	280	330	400
Arc Speed (in./min)	13.5-15.0	13.5-15.0	11.0-12.0	10.0-12.0	8.5-9.5
Electrode Req'd (lb/ft)	0.104	0.147	0.208	0.285	0.437
Total Time (hr/ft of weld)	0.0140	0.0140	0.0175	0.0175	0.222

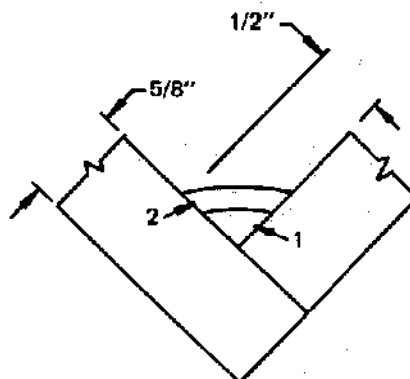
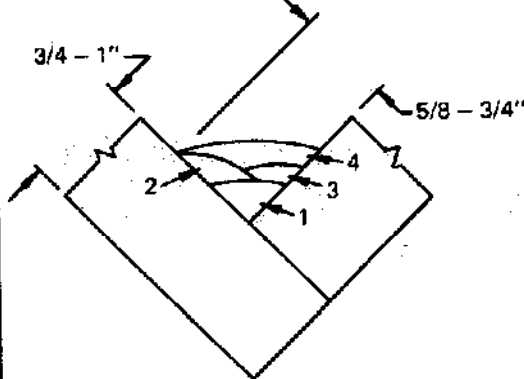
Preheat may be necessary depending on plate material.

## SHIELDED METAL-ARC (MANUAL)

Position: Flat Weld Quality Level: Code Steel Weldability: Poor					
Weld Size, L (in.)	5/32	3/16	1/4	5/16	3/8
Plate Thickness (in.)	3/16	1/4	5/16	3/8	1/2
Pass	1	1	1	1	1
Electrode Class	E7018	E7018	E7018	E7018	E7018
Size	3/16	7/32	7/32	1/4	1/4
Current (amp) AC	240	275	275	350	350
Arc Speed (in./min)	13.5-15.0	13.0-14.0	9.0-10.0	7.0-8.0	6.0-6.8
Electrode Req'd (lb/ft)	0.109	0.132	0.195	0.272	0.409
Total Time (hr/ft of weld)	0.0140	0.0149	0.0202	0.0270	0.0313

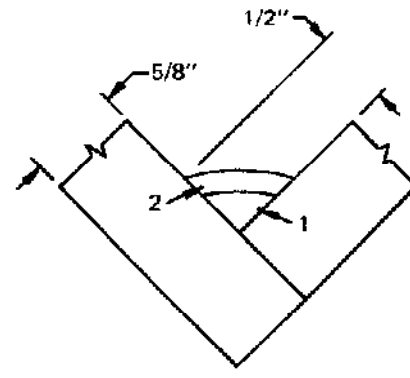
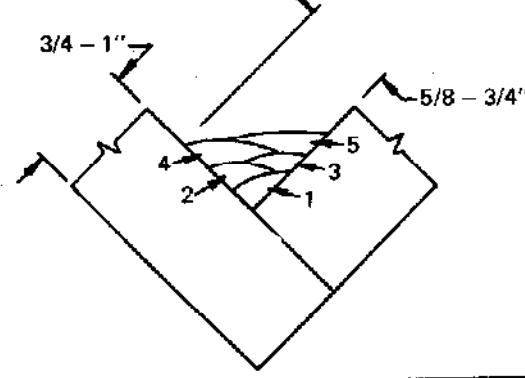
Preheat may be necessary depending on plate material.

**SHIELDED METAL-ARC (MANUAL)**

Position: Flat Weld Quality Level: Code Steel Weldability: Poor			
			
Weld Size, L (in.)	1/2	5/8	3/4
Plate Thickness (in.)	5/8	3/4	1
Pass	1 & 2	1 - 3	1 - 4
Electrode Class	E7028	E7028	E7028
Electrode Size	1/4	1/4	1/4
Current (amp) AC	400	400	400
Arc Speed (in./min)	9.5 - 11.5	9.0 - 11.0	9.0 - 11.0
Electrode Req'd (lb/ft)	0.776	1.24	1.79
Total Time (hr/ft of weld)	0.0384	0.0615	0.0887

Preheat may be necessary depending on plate material.

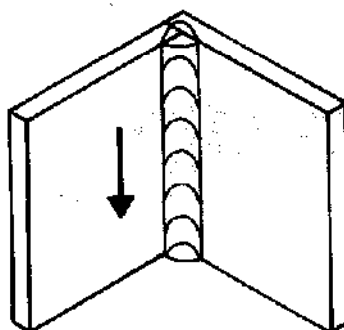
**SHIELDED METAL-ARC (MANUAL)**

Position: Flat Weld Quality Level: Code Steel Weldability: Poor			
			
Weld Size, L (in.)	1/2	5/8	3/4
Plate Thickness (in.)	5/8	3/4	1
Pass	1 & 2	1 - 4	1 - 5
Electrode Class	E7018	E7018	E7018
Electrode Size	1/4	1/4	1/4
Current (amp) AC	350	350	350
Arc Speed (in./min)	6.9 - 7.6	6.7 - 7.5	6.6 - 7.4
Electrode Req'd (lb/ft)	0.727	1.14	1.50
Total Time (hr/ft of weld)	0.0555	0.114	0.123

Preheat may be necessary depending on plate material.

SHIELDED METAL-ARC (MANUAL)

Position: Vertical down  
 Weld Quality Level: Commercial  
 Steel Weldability: Good

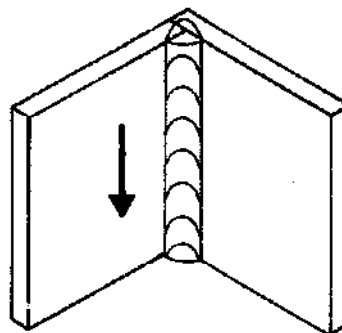


18, - 10 ga

Plate Thickness (in.)	0.048 (18 ga)	0.060 (16 ga)	0.075 (14 ga)	0.105 (12 ga)	0.135 (10 ga)
Pass	1	1	1	1	1
Electrode Class	E6013	E6012	E6012	E6012	E6012
Size	3/32	1/8	5/32	3/16	3/16
Current (amp) DC(-)	70	105	150	200	210
Arc Speed (in./min)	17 - 21	18 - 22	21 - 25	23 - 28	21 - 25
Electrode Req'd (lb/ft)	0.0374	0.0542	0.0713	0.0792	0.0930
Total Time (hr/ft of weld)	0.0105	0.0100	0.00870	0.00785	0.00870

SHIELDED METAL-ARC (MANUAL)

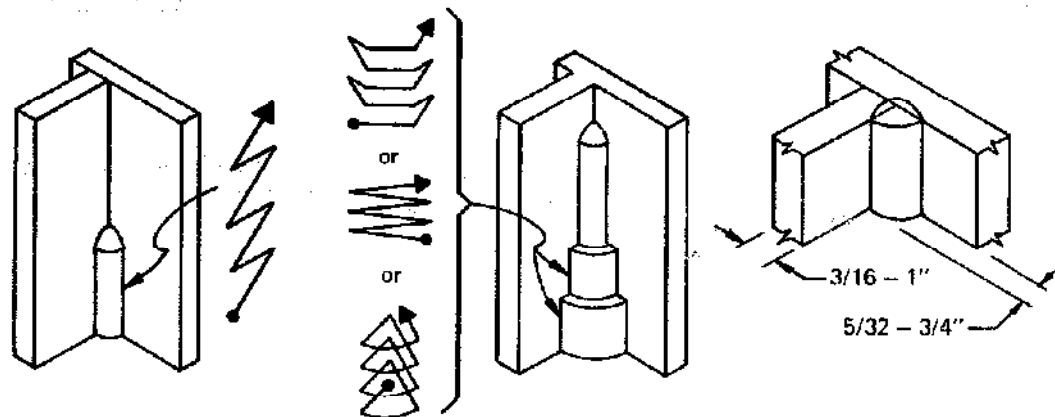
Position: Vertical down  
 Quality: Commercial  
 Weldability: Good



18 - 10 ga

Plate Thickness (in.)	0.048 (18 ga)	0.060 (16 ga)	0.075 (14 ga)	0.105 (12 ga)	0.135 (10 ga)
Pass	1	1	1	1	1
Electrode Class	E6013	E6013	E6013	E6013	E6013
Size	3/32	1/8	5/32	5/32	3/16
Current (amp) AC	75	115	165	170	225
Arc Speed (in./min)	16 - 20	17 - 21	19 - 23	18 - 22	16 - 20
Electrode Req'd (lb/ft)	0.0418	0.0463	0.0583	0.0636	0.0916
Total Time (hr/ft of weld)	0.0111	0.0105	0.00953	0.0100	0.0111

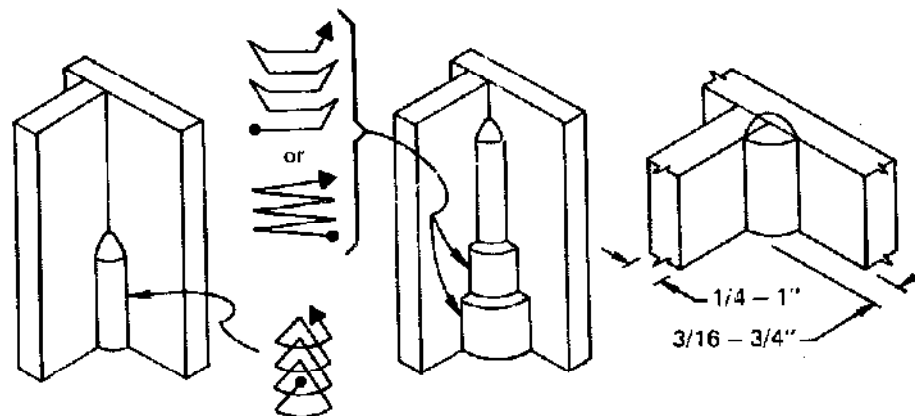
## SHIELDED METAL-ARC (MANUAL)

 Position: Vertical  
 Weld Quality Level: Code  
 Steel Weldability: Good


Weld Size, L (in.)	5/32	3/16	1/4	5/16	3/8	1/2	5/8	3/4
Plate Thickness (in.)	3/16	1/4	5/16	3/8	1/2	5/8	3/4	1
Pass	1	1	1	1	1	1-2	1-3	1-4
Electrode Class	E6010	E6010	E6010	E6010	E6010	E6010	E6010	E6010
Size	5/32	3/16	3/16	3/16	3/16	3/16	3/16	3/16
Current (amp) DC(+)	120	150	155	155	155	160	160	160
Arc Speed (in./min)	10.5-11.5	7.4-8.2	5.0-5.5	3.0-3.3	2.0-2.2	4.3-4.7*	4.3-4.7*	4.3-4.7*
Electrode Req'd (lb/ft)	0.0712	0.137	0.211	0.346	0.514	0.850	1.31	1.93
Total Time (hr/ft of weld)	0.0182	0.0256	0.0381	0.0635	0.0952	0.147	0.227	0.333
Direction of welding	Down	Up	Up	Up	Up	Up	Up	Up

\* First pass only. Vary speed on succeeding passes to obtain proper weld size.

## SHIELDED METAL-ARC (MANUAL)

 Position: Vertical  
 Weld Quality Level: Code  
 Steel Weldability: Fair


Weld Size, L (in.)	3/16	1/4	5/16	3/8	1/2	5/8	3/4
Plate Thickness (in.)	1/4	5/16	3/8	1/2	5/8	3/4	1
Pass	1	1	1	1	1	1-2	1-3
Electrode Class	E7018	E7018	E7018	E7018	E7018	E7018	E7018
Size	1/8	1/8	1/8	5/32	5/32	5/32	5/32
Current (amp) DC(+)	135	140	140	150	150	150	150
Arc Speed (in./min)	5.4-5.8	3.8-4.2	2.3-2.5	1.8-2.0	1.1-1.3	1.9-2.1*	1.9-2.1*
Electrode Req'd (lb/ft)	0.155	0.231	0.371	0.556	0.925	1.41	2.11
Total Time (hr/ft of weld)	0.0357	0.0500	0.0833	0.105	0.167	0.261	0.389

\* First pass only. Vary speed on succeeding passes to obtain proper size.

## SHIELDED METAL-ARC (MANUAL)

Position: Horizontal Weld Quality Level: Commercial Steel Weldability: Good					
Weld Size, L (in.)					5/32
Plate Thickness (in.)	0.075 (14 ga)	0.105 (12 ga)	0.135 (10 ga)	3/16	
Pass	1	1	1	1	1
Electrode Class	E7024	E7024	E7024	E7024	E7024
Size	3/32	1/8	1/8	1/8	5/32
Current (amp) AC	95	150	180	180	210
Arc Speed (in./min)	14.0-16.0	16.0-18.5	16.0-18.5	14.5-16.5	15.5-18.0
Electrode Req'd (lb/ft)	0.0495	0.0770	0.0833	0.104	0.119
Total Time (hr/ft of weld)	0.0133	0.0116	0.0116	0.0129	0.0119

## SHIELDED METAL-ARC (MANUAL)

Position: Horizontal Weld Quality Level: Commercial Steel Weldability: Good							
Weld Size, L (in.)	3/16		1/4		9/32	5/16	3/8
Plate Thickness (in.)	1/4		5/16		3/8		1/2
Pass	1	1	1	1	1	1	1
Electrode Class	E7024	E7024	E7024	E7024	E7024	E7024	E7024
Size	5/32	3/16	3/16	7/32	1/4	1/4	1/4
Current (amp) AC	230	270	275	325	375	375	375
Arc Speed (in./min)	13.5-15.0	15.0-17.0	14.0-15.0	16.0-18.0	16.0-18.0	13.0-14.0	10.5-11.5
Electrode Req'd (lb/ft)	0.150	0.166	0.20	0.21	0.23	0.30	0.41
Total Time (hr/ft of weld)	0.0141	0.0125	0.0138	0.0118	0.0118	0.0148	0.0182

## SHIELDED METAL-ARC (MANUAL)

Position: Horizontal Weld Quality Level: Commercial Steel Weldability: Good								
Weld Size, L (in.)	1/2		9/16		5/8		3/4	
Plate Thickness (in.)	5/8		3/4		3/4		1	
Pass	1	2 & 3	1	2 & 3	1	2 - 4	1	2 - 5
Electrode Class	E7024	E7024	E7024	E7024	E7024	E7024	E7024	E7024
Size	1/4	1/4	1/4	1/4	1/4	1/4	1/4	1/4
Current (amp) AC	375	375	375	375	375	375	375	375
Arc Speed (in./min)	10.5-11.5	11.0-12.0	10.5-11.5	14.0-16.0	10.5-11.5	14.0-16.0	10.5-11.5	12.0-13.0
Electrode Req'd (lb/ft)	0.73		0.92		1.15		1.62	
Total Time (hr/ft of weld)	0.0356		0.0449		0.0582		0.0822	

## SHIELDED METAL-ARC (MANUAL)

Position: Horizontal Weld Quality Level: Code Steel Weldability: Good								
Weld Size, L (in.)	5/32	3/16		1/4		9/32	5/16	3/8
Plate Thickness (in.)	3/16	1/4		5/16		3/8		1/2
Pass	1	1	1	1	1	1	1	1
Electrode Class	E6027	E6027	E6027	E6027	E6027	E6027	E6027	E6027
Size	5/32	5/32	3/16	3/16	7/32	7/32	7/32	1/4
Current (amp) AC	210	220	250	280	320	325	335	360
Arc Speed (in./min)	14.5-16.0	13.0-14.5	14.5-16.0	11.5-12.5	13.0-14.5	11.5-12.5	9.5-10.5	7.5-8.5
Electrode Req'd (lb/ft)	0.128	0.151	0.173	0.224	0.241	0.281	0.356	0.463
Total Time (hr/ft of weld)	0.0131	0.0145	0.0131	0.0167	0.0145	0.0167	0.0200	0.0250



SHIELDED METAL-ARC (MANUAL)

Position: Horizontal Weld Quality Level: Code Steel Weldability: Poor						
	Weld Size, L (in.)	5/32	3/16	1/4		5/16
Plate Thickness (in.)	3/16	1/4	5/16		3/8	
Pass	1	1	1	1	1	1
Electrode Class	E7028	E7028	E7028	E7028	E7028	E7028
Size	5/32	3/16	3/16	7/32	7/32	1/4
Current (amp) AC	215	260	280	335	335	390
Arc Speed (in./min)	12.5-13.5	11.5-12.5	9.5-10.5	12.0-13.0	9.5-10.5	11.5-12.5
Electrode Req'd (lb/ft)	0.112	0.157	0.235	0.236	0.320	0.330
Total Time (hr/ft of weld)	0.0152	0.0167	0.0200	0.0160	0.0200	0.0167

Preheat may be necessary depending on plate material.

SHIELDED METAL-ARC (MANUAL)

Position: Horizontal Weld Quality Level: Code Steel Weldability: Poor																
	Weld Size, L (in.)	3/8*		3/8		1/2		5/8		3/4						
Plate Thickness (in.)	1/2		1/2		5/8		3/4		1							
Pass	1		1 - 2		1 - 2		1 - 3		1 - 4							
Electrode Class	E7028		E7028		E7028		E7028		E7028							
Size	1/4		7/32		1/4		1/4		1/4							
Current (amp) AC	390		335		390		390		390							
Arc Speed (in./min)	7.5 - 8.5		11.5 - 12.5		9.0 - 10.0		9.0 - 10.0		8.0 - 9.0							
Electrode Req'd (lb/ft)	0.483		0.483		0.819		1.28		1.82							
Total Time (hr/ft of weld)	0.0250		0.0333		0.0422		0.633		0.940							

Preheat may be necessary depending on plate material.

\* May not be full 3/8 in. on the vertical leg.

**SHIELDED METAL-ARC (MANUAL)**

Position: Horizontal Weld Quality Level: Code Steel Weldability: Poor				
Weld Size, L (in.)	5/32	3/16	1/4	5/16
Plate Thickness (in.)	3/16	1/4	5/16	3/8
Pass	1	1	1	1
Electrode Class	E7018	E7018	E7018	E7018
Size	3/16	7/32	7/32	1/4
Current (amp) AC	240	275	275	350
Arc Speed (in./min)	12.5 - 13.6	11.0 - 12.0	8.5 - 9.5	6.5 - 7.5
Electrode Req'd (lb/ft)	0.111	0.140	0.203	0.335
Total Time (hr/ft of weld)	0.0154	0.0174	0.0222	0.0286

Preheat may be necessary depending on plate material.

**SHIELDED METAL-ARC (MANUAL)**

Position: Horizontal Weld Quality Level: Code Steel Weldability: Poor				
Weld Size, L (in.)	3/8	1/2	5/8	3/4
Plate Thickness (in.)	1/2	5/8	3/4	1
Pass	1 & 2	1 - 3	1 - 4	1 - 5
Electrode Class	E7018	E7018	E7018	E7018
Size	1/4	1/4	1/4	1/4
Current (amp) AC	350	350	350	350
Arc Speed (in./min)	9.5 - 11.6	9.5 - 10.5	8.0 - 9.0	7.0 - 8.0
Electrode Req'd (lb/ft)	0.480	0.785	1.18	1.62
Total Time (hr/ft of weld)	0.0390	0.0600	0.0940	0.133

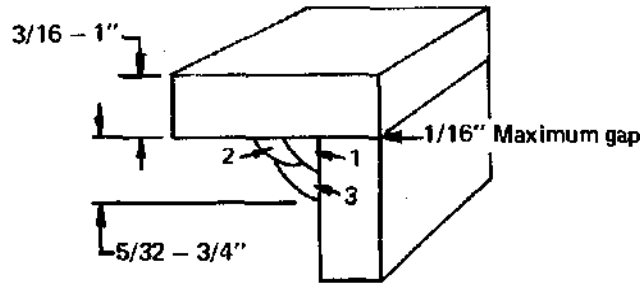
Preheat may be necessary depending on plate material.

SHIELDED METAL-ARC (MANUAL)

Position: Horizontal Weld Quality Level: Commercial Steel Weldability: Good					
Weld Size, L (in.)	5/32	3/16	1/4	5/16	3/8
Plate Thickness (in.)	3/16	1/4	5/16	3/8	1/2
Pass	1	1	1	1	1
Electrode Class	E7014	E7014	E7014	E7014	E7014
Size	5/32	3/16	7/32	1/4	5/16
Current (amp) AC	200	250	310	370	450
Arc Speed (in./min)	10.5-11.5	11.5-12.5	11.0-12.0	9.0-10.0	7.0-8.0
Electrode Req'd (lb/ft)	0.128	0.127	0.191	0.270	0.388
Total Time (hr/ft of weld)	0.0182	0.0167	0.0174	0.0211	0.0267

## SHIELDED METAL-ARC (MANUAL)

Position: Overhead  
 Weld Quality Level: Code  
 Steel Weldability: Good



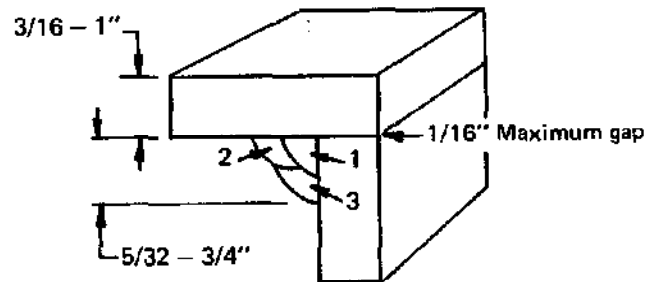
Weld Size, L (in.)	5/32	3/16	1/4	5/16	3/8	1/2	5/8	3/4
Plate Thickness (in.)	3/16	1/4	5/16	3/8	1/2	5/8	3/4	1
Pass	1	1	1	1-2	1-3	1-6	1-10	1-15
Electrode Class	E6010	E6010	E6010	E6010	E6010	E6010	E6010	E6010
Size	5/32	3/16	3/16	3/16	3/16	3/16	3/16	3/16
Current (amp) DC(+)	130	170	170	170	170	170	170	170
Arc Speed (in./min)*	7.0-7.7	8.5-9.4	4.8-5.3	6.6-7.3	6.6-7.3	6.6-7.3	6.6-7.3	6.6-7.3
Electrode Req'd (lb/ft)	0.100	0.145	0.253	0.369	0.532	0.945	1.48	2.13
Total Time (hr/ft of weld)	0.0272	0.0223	0.0396	0.0567	0.0820	0.145	0.228	0.328

On 1/2 in. plate and thicker, place the first pass of each layer on the top plate.

\* First pass only. Vary speed on succeeding passes to obtain proper weld size.

## SHIELDED METAL-ARC (MANUAL)

Position: Overhead  
 Weld Quality Level: Code  
 Steel Weldability: Fair



Weld Size, L (in.)	5/32	3/16	1/4	5/16	3/8	1/2	5/8	3/4
Plate Thickness (in.)	3/16	1/4	5/16	3/8	1/2	5/8	3/4	1
Pass	1	1	1-2	1-3	1-4	1-6	1-10	1-15
Electrode Class	E7018	E7018	E7018	E7018	E7018	E7018	E7018	E7018
Size	5/32	5/32	5/32	5/32	5/32	5/32	5/32	5/32
Current (amp) DC(+)	170	170	170	170	170	170	170	170
Arc Speed (in./min)*	10.5-11.5	7.2-8.0	8.2-9.1	8.2-9.1	8.5-9.4	7.0-7.7	7.2-8.0	8.1-8.9
Electrode Req'd (lb/ft)	0.107	0.155	0.277	0.394	0.570	1.01	1.59	2.29
Total Time (hr/ft of weld)	0.0182	0.0264	0.0463	0.0670	0.0967	0.172	0.269	0.388

On 3/8 in. plate and thicker place the first pass of each layer on the top plate.

\* First pass only. Vary succeeding passes to obtain proper weld size.

**SHIELDED METAL-ARC (MANUAL)**

Position: Horizontal  
 Weld Quality Level: Commercial  
 Steel Weldability: Good

18 - 10 ga

Plate Thickness (in.)	0.048 (18 ga)	0.060 (16 ga)	0.075 (14 ga)	0.105 (12 ga)	0.135 (10 ga)
Pass	1	1	1	1	1
Electrode Class	E6013	E6012	E6012	E6012	E6012
Size	3/32	1/8	5/32	3/16	3/16
Current (amp) DC(-)	70	105	145	200	210
Arc Speed (in./min)	19 - 23	21 - 26	20 - 24	18 - 22	14 - 18
Electrode Req'd (lb/ft)	0.0339	0.0427	0.0717	0.101	0.134
Total Time (hr/ft of weld)	0.00953	0.00851	0.00910	0.0100	0.0125

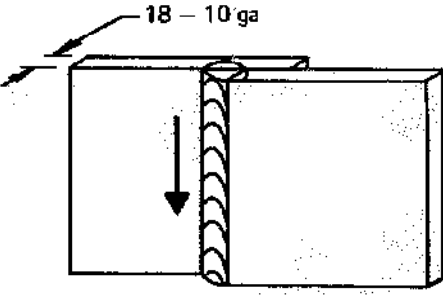
**SHIELDED METAL-ARC (MANUAL)**

Position: Horizontal  
 Weld Quality Level: Commercial  
 Steel Weldability: Good

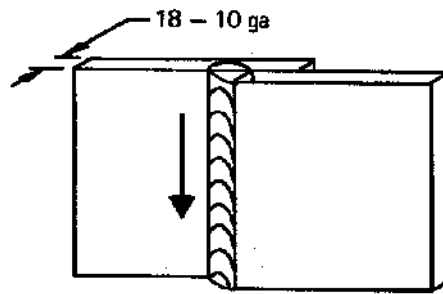
18 ga - 5/16"      to 5/16"

Weld Size, L (in.)						3/16	1/4	5/16
Plate Thickness (in.)	0.048 (18 ga)	0.060 (16 ga)	0.075 (14 ga)	0.105 (12 ga)	0.135 (10 ga)	3/16	1/4	5/16
Pass	1	1	1	1	1	1	1	1
Electrode Class	E6013	E6013	E6013	E6013	E6013	E7024	E7024	E7024
Size	3/32	1/8	5/32	5/32	3/16	3/16	7/32	7/32
Current (amp) AC	75	115	160	165	215	290	360	360
Arc Speed (in./min)	15 - 19	16 - 20	16 - 20	14 - 18	13 - 17	14 - 17	14 - 16	12 - 14
Electrode Req'd (lb/ft)	0.0389	0.0490	0.0667	0.0773	0.103	0.170	0.211	0.253
Total Time (hr/ft of weld)	0.0118	0.0111	0.0111	0.0125	0.0133	0.0129	0.0133	0.0155

## SHIELDED METAL-ARC (MANUAL)

Position: Vertical down Weld Quality Level: Commercial Steel Weldability: Good					
Plate Thickness (in.)	0.048 (18 ga)	0.060 (16 ga)	0.075 (14 ga)	0.105 (12 ga)	0.135 (10 ga)
Pass	1	1	1	1	1
Electrode Class	E6013	E6012	E6012	E6012	E6012
Size	3/32	1/8	5/32	3/16	3/16
Current (amp) DC(-)	75	115	155	210	220
Arc Speed (in./min)	22 - 27	27 - 32	27 - 32	25 - 30	22 - 27
Electrode Req'd (lb/ft)	0.0316	0.0375	0.0576	0.0781	0.0930
Total Time (hr/ft of weld)	0.00817	0.00678	0.00678	0.00728	0.00817

## SHIELDED METAL-ARC (MANUAL)

Position: Vertical down Weld Quality Level: Commercial Steel Weldability: Good					
Plate Thickness (in.)	0.048 (18 ga)	0.060 (16 ga)	0.075 (14 ga)	0.105 (12 ga)	0.135 (10 ga)
Pass	1	1	1	1	1
Electrode Class	E6013	E6013	E6013	E6013	E6013
Size	3/32	1/8	5/32	5/32	3/16
Current (amp) AC	85	125	170	175	225
Arc Speed (in./min)	19 - 23	20 - 24	21 - 26	19 - 23	16 - 20
Electrode Req'd (lb/ft)	0.0358	0.0444	0.0546	0.0631	0.0922
Total Time (hr/ft of weld)	0.00953	0.00910	0.00850	0.00953	0.0111

**SHIELDED METAL-ARC (MANUAL)**

Position: Flat  
 Weld Quality Level: Commercial  
 Steel Weldability: Good  
 Welded From: One side

Plate Thickness (in.)	0.048 (18 ga)	0.060 (16 ga)	0.075 (14 ga)	0.105 (12 ga)	0.135 (10 ga)
Pass	1	1	1	1	1
Electrode Class	E6010	E6010	E6010	E6010	E6010
Size	3/32	1/8	1/8	5/32	3/16
Current (amp) DC(-)	45	80	85	110	155*
Arc Speed (in./min)	30 - 35	35 - 40	35 - 40	33 - 38	27 - 32
Electrode Req'd (lb/ft)	0.0197	0.0282	0.0300	0.0432	0.0505
Total Time (hr/ft of weld)	0.00616	0.00533	0.00533	0.00563	0.00678

\* Use DC(+)

**SHIELDED METAL-ARC (MANUAL)**

Position: Flat  
 Weld Quality Level: Commercial  
 Steel Weldability: Good  
 Welded From: One side

Weld Size, L (in.)	3/32	1/8	5/32	3/16	1/4
Plate Thickness (in.)	3/16	1/4	5/16	3/8	1/2
Pass	1	1	1	1	1
Electrode Class	E7024	E7024	E7024	E7024	E7024
Size	5/32	3/16	7/32	7/32	1/4
Current (amp) AC	215	275	350	360	410
Arc Speed (in./min)	22.0-27.0	19.0-23.0	18.5-22.5	16.5-19.5	14 - 17
Electrode Req'd (lb/ft)	0.0750	0.114	0.152	0.175	0.250
Total Time (hr/ft of weld)	0.00820	0.00952	0.00975	0.0111	0.0130

## SHIELDED METAL-ARC (MANUAL)

Position: Flat Weld Quality Level: Commercial Steel Weldability: Good Welded From: One side					
Weld Size, L (in.)	3/16	1/4	5/16	3/8	1/2
Plate Thickness (in.)	3/16	1/4	5/16	3/8	1/2
Pass	1	1	1	1	1 & 2
Electrode Class	E7024	E7024	E7024	E7024	E7024
Size	3/16	7/32	7/32	1/4	1/4
Current (amp) AC	250	320	350	400	410
Arc Speed (in./min)	21.0 - 25.0	18.0 - 22.0	14.5 - 17.5	13.0 - 16.0	11.5 - 14.5
Electrode Req'd (lb/ft)	0.101	0.133	0.198	0.240	0.530
Total Time (hr/ft of weld)	0.00870	0.0100	0.0125	0.0139	0.0308

## SHIELDED METAL-ARC (MANUAL)

Position: Vertical down Weld Quality Level: Commercial Steel Weldability: Good Welded From: One side					
Plate Thickness (in.)	0.048 (18 ga)	0.060 (16 ga)	0.075 (14 ga)	0.105 (12 ga)	0.135 (10 ga)
Pass	1	1	1	1	1
Electrode Class	E6010	E6010	E6010	E6010	E6010
Size	3/32	1/8	1/8	5/32	3/16
Current (amp) DC(-)	50	90	95	120	170*
Arc Speed (in./min)	35 - 40	40 - 45	40 - 45	37 - 42	33 - 38
Electrode Req'd (lb/ft)	0.0184	0.0278	0.0293	0.0436	0.0461
Total Time (hr/ft of weld)	0.00533	0.00471	0.00471	0.00507	0.00563

\* DC(+)



SHIELDED METAL-ARC (MANUAL)

Position: Flat  
 Weld Quality Level: Commercial  
 Steel Weldability: Good

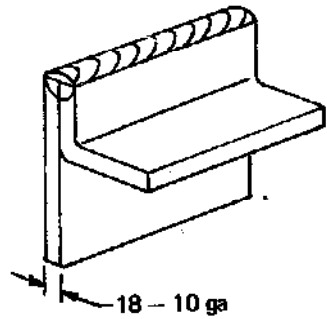


Plate Thickness (in.)	0.048 (18 ga)	0.060 (16 ga)	0.075 (14 ga)	0.105 (12 ga)	0.135 (10 ga)
Pass	1	1	1	1	1
Electrode Class	E6010	E6010	E6010	E6010	E6010
Electrode Size	3/32	1/8	1/8	5/32	3/16
Current (amp) DC(-)	50	80	85	115	140
Arc Speed (in./min)	45 - 50	43 - 48	40 - 45	40 - 45	37 - 42
Electrode Req'd (lb/ft)	0.0145	0.0232	0.0263	0.0382	0.0476
Total Time (hr/ft of weld)	0.00421	0.00439	0.00471	0.00471	0.00505

SHIELDED METAL-ARC (MANUAL)

Position: Vertical down  
 Weld Quality Level: Commercial  
 Steel Weldability: Good

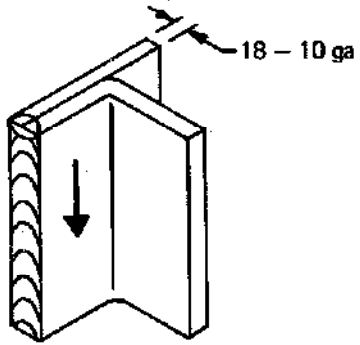


Plate Thickness (in.)	0.048 (18 ga)	0.060 (16 ga)	0.075 (14 ga)	0.105 (12 ga)	0.135 (10 ga)
Pass	1	1	1	1	1
Electrode Class	E6010	E6010	E6010	E6010	E6010
Electrode Size	3/32	1/8	1/8	5/32	3/16
Current (amp) DC(-)	55	90	95	125	155
Arc Speed (in./min)	53 - 58	50 - 55	47 - 52	47 - 52	43 - 48
Electrode Req'd (lb/ft)	0.0141	0.0225	0.0251	0.0358	0.0473
Total Time (hr/ft of weld)	0.00361	0.00381	0.00404	0.00404	0.00439

**SHIELDED METAL-ARC (MANUAL)**

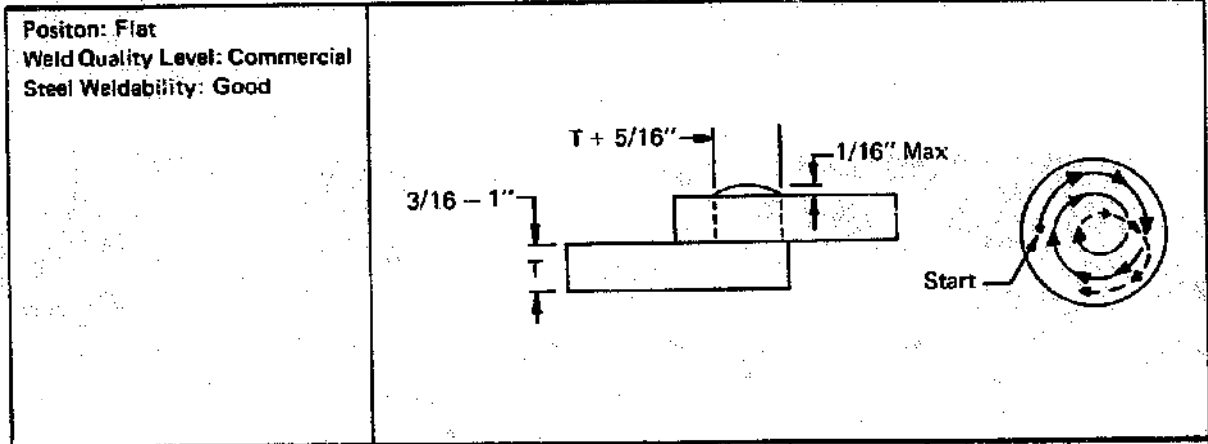


Plate Thickness (in.)	3/16	5/16	3/8	1/2	3/4	1
Electrode Class	E7018	E7018	E7018	E7018	E7018	E7018
Size	1/8	3/16	3/16	7/32	1/4	1/4
Current (amp) AC	140	250	250	300	350	350
Arc Speed (in./min)						
Electrode Req'd*	0.0154	0.0440	0.0642	0.113	0.300	0.605
Total Time* (hr)	0.00417	0.00500	0.00731	0.0118	0.0236	0.0475

Weld with spiral motion and continue as long as slag can be kept molten or until the weld is completed.

\* Per weld

† Thickness of the weld may be reduced to 5/8 inch per AWS Structural Welding Code 2.B.8.

**SHIELDED METAL-ARC (MANUAL)**  
**Special Procedures for ASTM A203 and A537 Steels**

Position: Flat Weld Quality Level: Code Steel Weldability: Poor Welded From: Two sides						
	Plate Thickness (in.)	5/16		3/8		
Pass	1 & 2	3 & 4*	1 - 3	4 - 6*		
Electrode Class†						
Size	5/32	5/32	5/32	5/32	5/32	
Current (amp) DC(+)	150	150	150	150	150	
Arc Speed (in./min)	9 - 11	8 - 10	9 - 11	8 - 10		
Electrode Req'd (lb/ft)	0.48		0.65			
Total Time (hr/ft of weld)	0.0844		0.127			
Interpass Temperature, Max. (°F)	150		150			
Position: Flat Weld Quality Level: Code Steel Weldability: Poor Welded From: Two sides						
	Plate Thickness (in.)	1/2	5/8	3/4		
Pass	1 - 5	6 - 8*	1 - 7	8 - 10*	1 - 10	11 - 13*
Electrode Class†						
Size	5/32	5/32	5/32	5/32	5/32	5/32
Current (amp) DC(+)	150	150	150	150	150	150
Arc Speed (in./min)	7 - 9	8 - 10	7 - 9	8 - 10	7 - 9	8 - 10
Electrode Req'd (lb/ft)	1.40		1.79		2.25	
Total Time (hr/ft of weld)	0.188		0.238		0.313	
Interpass Temperature, Max. (°F)	175		200		225	

\* Second side is gouged after first side is completed.

† See Tables 6-13 and 6-17.

# Welding Carbon and Low-Alloy Steels with the Submerged-Arc Process

The submerged-arc process is typically some five to ten times faster than stick-electrode welding, yet provides joints of exceedingly high quality and good appearance. The process has various desirable performance features (see Section 5.2) and should be considered whenever the welding is to be done by automatic or semiautomatic means. An indication of the relative speeds of submerged-arc and other processes is given in Table 6-19.

**TABLE 6-19. Comparison of Welding Speeds**

Welding Process	Arc Speed* (in./min)
Manual shielded metal-arc	4-1/4
Semiautomatic self-shielded flux-cored	10
Semiautomatic submerged-arc	15
Automatic submerged-arc, one wire	18
Gas metal-arc submerged-arc	21
Automatic submerged-arc, two wires	30
Automatic submerged-arc, three wires	45

\*Arc speed for 3/8-in. butt weld

## FLUX AND ELECTRODE REQUIREMENTS

The characteristics of electrodes are discussed in Section 4.1. Electrodes and flux combinations are selected to serve a specific purpose. They may, for example, be chosen to serve general-purpose needs at lowest cost, or they may be selected to meet special metallurgical requirements. Some combinations provide maximum resistance to weld cracking or to porosity from rusty plate, while other combinations provide fast-fill or fast-follow characteristics. Specifications for fluxes and electrodes are listed in Section 4.1. Since hundreds of combinations of flux and electrode are possible, prospective users of the submerged-arc process should consult with suppliers of these materials before choosing a particular combination for a given application. Typical mechanical properties of submerged-arc weld-metal deposits are given in Table 6-20.

### Electrode Size

Welding equipment for semiautomatic submerged-arc welding can accommodate only a limited range of electrode sizes. Change of electrode may require the purchase of a new gun and the altering

**TABLE 6-20. Typical Mechanical Properties of  
Submerged-Arc Weld-Metal Deposits**

AWS Classification Flux-Wire	Tensile Strength (1000 psi)	Yield Strength (1000 psi)	Impact Strength, Charpy V-Notch (ft-lb)		Elongation in 2 in. (%)
			At 0°F	At -20°F	
F60, F70-EH14	74	60	19	—	28
F61, F71-EL12	73	60	30	—	26
F61, F71-EH14	77	61	24	—	28
F62, F72-EL12	71	56	—	61	30
F62, F72-EH14	74	58	—	21	28
F62, F72-EM15K	77	64	—	42	26
F62-EL12	68	57	—	45	28
F70-EL12	78	66	21	18	25
F71-EL12	79	68	25	22	27
F71-EM12K	89	77	30	25	25
F71-EM13K	85	70	22	—	25
F72-EM12K	83	75	—	47	26
F72-EM13K	84	74	—	40	27
F72-EM15K	85	72	—	27	24

of the feed mechanisms. Therefore, the job requirements should be considered carefully before the first equipment is purchased.

Generally, only the 1/16, 5/64, and 3/32-in. electrodes are used for semiautomatic welding. The 1/16-in. wire is used for making high-speed fillet welds on steel ranging from 14-gage to 1/4 in. thick. The 5/64-in. electrode is used for fillet, lap, and butt welds on plate 12-gage or more when the welding gun is hand-held. The 3/32-in. wire is used primarily when the gun is carried mechanically. Electrodes of this diameter can be used for hand-held operation, but the stiffness of the wire tends to make the cable rigid and thereby decreases the maneuverability of the gun.

Fully automatic submerged-arc welding generally employs electrodes of from 5/64 to 7/32 in. in diameter. There are exceptional conditions where wire as small as 0.035 or as large as 3/8-in. has been satisfactory, but most applications require electrodes of 5/64-in. or larger. Current ranges for the various electrode sizes are given in Table 6-21.

When all other conditions are kept constant, an increase in wire size increases the bead width and decreases the penetration and the deposition rate as illustrated in Fig. 6-31. A larger wire size, however, increases the maximum current capacity and, thus, permits increased current and a higher deposition rate. A change to a larger wire size, with no increase in current, bridges gaps better if poor fitup is encountered.

## WELDING CURRENTS AND VOLTAGES

Welding current determines the rate at which the electrode is melted, the depth of penetration of the weld pool into the base metal, and the amount of base metal fused. An increase in current increases

TABLE 6-21. Current Ranges for Submerged-Arc Welding Electrodes

Wire Diameter (in.)	Current (amp)
5/64	200 - 600
3/32	230 - 700
1/8	300 - 900
5/32	420 - 1000
3/16	480 - 1100
7/32	600 - 1200
1/4	700 - 1600
5/16	1000 - 2500
3/8	1500 - 4000

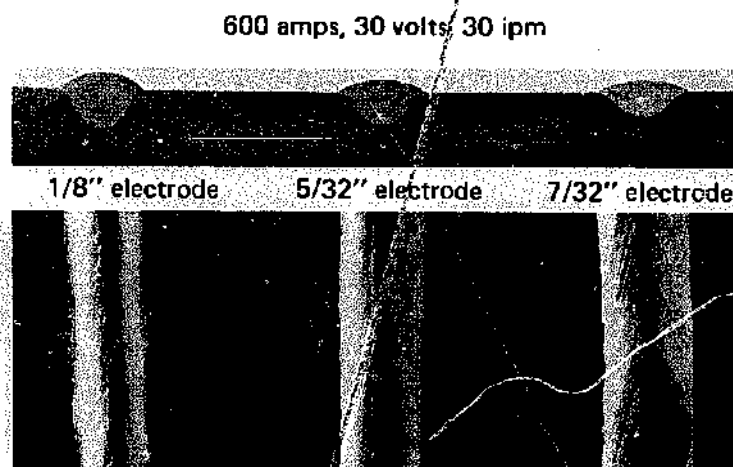


Fig. 6-31. Effect of electrode size on weld characteristics. With the current and voltage held constant as electrode diameter is increased, bead width increases, but penetration and deposition rate decrease.

penetration and melt-off rate, but an excessively high current produces a high, narrow bead, an erratic arc, and undercut. Excessively low current produces an unstable arc. Figure 6-32 shows the effect of current variation when other conditions are maintained constant.

## Current Type and Polarity

The various attributes of AC and DC welding, and of positive and negative polarity, were discussed in Sections 3.2 and 5.2. Positive-polarity DC is recommended for most submerged-arc welding where fast-follow or deep penetration are important. It also gives welds that exhibit better resistance to porosity, except on high-sulfur and high-phosphorus steel. Negative polarity gives a melt-off rate about one-third greater than that of positive polarity (see Table 6-22), but negative polarity also produces less penetration. It is used:

1. For conventional fillets where the plate is clean and free from rust.
2. On applications such as hardsurfacing where greater melt-off is beneficial.
3. Where less penetration is needed to reduce admixture and thereby control cracking or porosity on hard-to-weld steels.
4. Where greater build-up and less penetration helps to prevent cracking in the first passes in deep-groove work.

When changing from positive to negative polarity with no change in current, voltage should be increased about 4 volts if a similar bead shape is to be maintained.

The cost of fillet welds can be reduced through use of DCRP (electrode positive) in place of DCSP

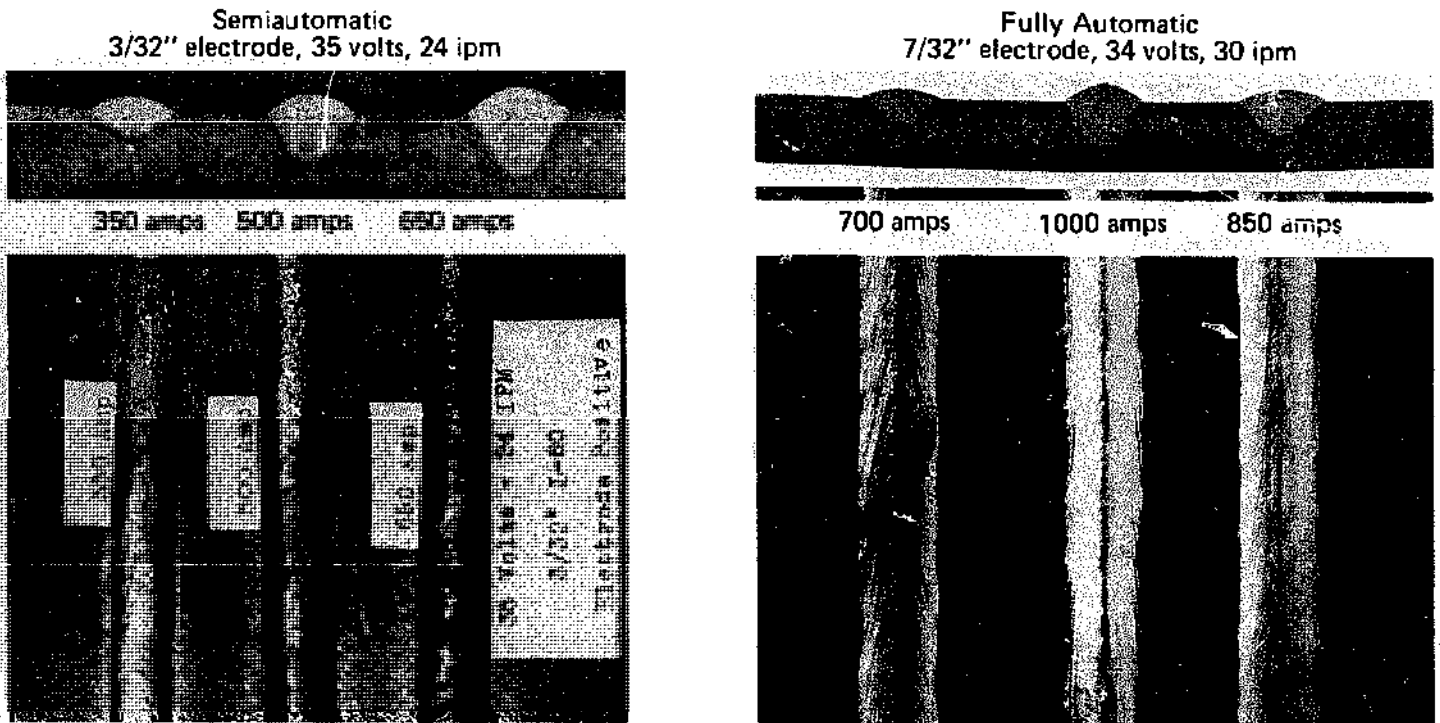


Fig. 6-32. Effect of current level on weld characteristics. Penetration and melt-off rate increase with an increase in current.

because of the additional penetration provided by positive polarity. The strength of a fillet weld depends on the effective throat size, which in turn, depends on the depth of penetration.

AC is recommended for two specific submerged-arc applications:

1. For the trail electrode when tandem-arc welding.
2. Occasional single-arc applications where arc blow is limiting DC current and slowing travel speed.

For good arc stability a higher current density is needed for AC than for DC. Unstable arc conditions can usually be corrected by an increase in current or a reduction in wire size.

### Welding Voltage

Welding voltage influences the shape of the weld cross section and the external appearance of the weld. Figure 6-33 shows the effect of voltage variation when other conditions are maintained constant.

Increasing voltage:

1. Produces a flatter and wider bead.

TABLE 6-22. Typical Melt-Off Rates (lb/hr) for EL12-Class Submerged-Arc Electrodes

Welding Current (amp)	3/32-in. Electrode				5/32-in. Electrode				7/32-in. Electrode			
	1-in. Stickout		3-1/4-in. Stickout		1-in. Stickout		5-in. Stickout		1-in. Stickout		5-in. Stickout	
	DC(+)	DC(-)	DC(+)	DC(-)	DC(+)	DC(-)	DC(+)	DC(-)	DC(+)	DC(-)	DC(+)	DC(-)
300	6.6	10.5	10.0	15.8								
400	9.5	15.0	16.0	23.2	7.9	13.0	11.9	18.0				
500	12.9	19.5	22.5	32.4	11.2	17.5	19.7	24.4				
600	17.3				14.7	21.8	22.5	31.4	13.1	19.0	18.7	27.0
700					18.3	26.1	30.6	38.9	16.2	23.0	23.7	32.5
800					22.0	31.0	39.1	47.1	19.5	26.5	28.8	38.4
900					26.2				22.9	30.0	34.5	44.7
1000									26.4	34.5	40.0	50.7
1100									32.2	38.5	46.5	57.5
1200									34.8			
1300									40.1			

Semiautomatic  
3/32" electrode, 500 amps, 24 ipm



25 volts 35 volts 45 volts



Fully Automatic  
7/32" electrode, 850 amps, 30 ipm



27 volts 45 volts 34 volts



Fig. 6-33. Effect of voltage on weld characteristics. An increase in voltage produces a wider, flatter bead that bridges gaps more readily.

2. Increases flux consumption.
3. Increases resistance to porosity caused by rust or scale.
4. Helps bridge gaps when fitup is poor.
5. Increases pickup of alloy from the flux. (This can be used to advantage to raise the alloy content of the deposit when welding with alloy or hardsurfacing fluxes. It can reduce ductility and increase crack sensitivity, particularly with multiple-pass welds.)

Excessively high voltages:

1. Produce a "hat-shaped" bead that is subject to cracking (Fig. 6-34).
2. Make slag removal difficult.

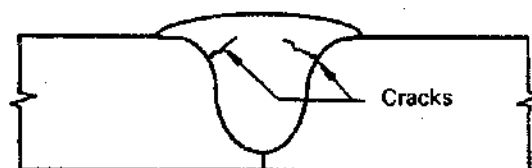


Fig. 6-34. A hat-shaped bead produced by excessive voltage. A similar effect is produced by travel speeds that are too slow. Such beads have a tendency to crack in locations indicated by the arrows.

3. In multiple-pass welds, increase the alloy content, thereby producing a crack-sensitive weld.
4. Produce a concave fillet weld that is subject to cracking.

Semiautomatic  
3/32" electrode, 500 amps, 35 volts



12 ipm 24 ipm 48 ipm



Fully Automatic  
7/32" electrode, 850 amps, 34 volts



60 ipm 15 ipm 30 ipm

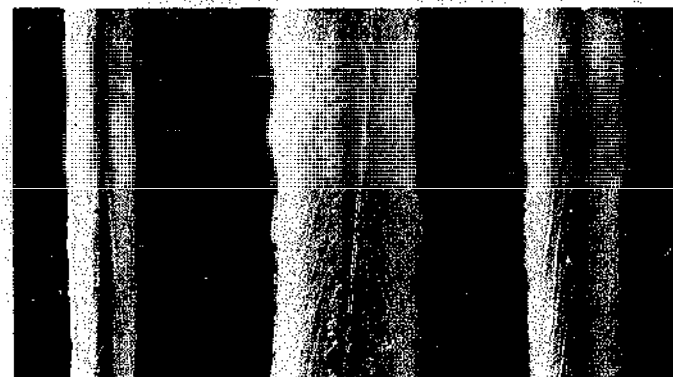


Fig. 6-35. Effect of travel speed on weld characteristics. Penetration and width of the bead decrease with an increase in travel speed.

Lowering the voltage produces a "stiffer" arc needed for getting penetration into a deep groove and necessary for resisting arc blow on high-speed work. An excessively low voltage produces a high, narrow bead with poor slag removal.

## TRAVEL SPEED

Travel speed is used primarily to control bead size and penetration. It is interdependent with current. In single-pass welds, the current and travel speed should be set to get the desired penetration without burnthrough. For multiple-pass welds, the current and travel speed should be set to get the desired bead size.

Figure 6-35 shows the effect of variations in travel speed when other conditions are maintained constant. Changes in travel speed have the following effects:

1. Excessively high travel speed decreases wetting action and increases the tendency for undercut, arc blow, porosity, cracking, and uneven bead shapes. Slow travel speed tends to reduce porosity, because gaseous material has time to boil out of the molten weld.
2. Excessively slow speed produces:
  - a. "Hat-shaped" beads that are subject to cracking.
  - b. Excessive flash-through, which is uncomfortable for the operator.
  - c. A large molten pool that flows around the arc resulting in a rough bead, spatter and, slag inclusions.

## LONG-STICKOUT WELDING

Electric current is fed into the electrode at the point of electrical contact within the gun or nozzle. The current must then travel to the tip of the electrode to reach the arc. The distance between the point of electrical contact and the electrode tip is referred to as "stickout" or "electrical stickout" (Fig. 6-36).

This entire length of electrode — not just the visible portion protruding from the nozzle — is subject to resistance heating as the current passes through it. The longer the projection of the electrode from the point of electrical contact, the greater the heat build-up within it. This heat can be used to good advantage to increase the melting rate (see Table 6-22) and reduce penetration. Special attachments can be added to standard welding equipment to take advantage of the higher melt-off

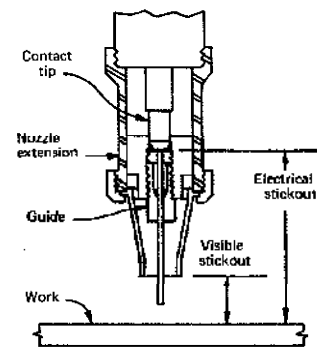


Fig. 6-36. Long electrical stickout — used to increase melt-off rate through resistance heating of the electrode. The term, applied to the distance between the point of electrical contact within the nozzle and the tip of the electrode, is distinct from visible stickout, which denotes the length of electrode extending beyond the guide tip.

rates and attendant increase in deposition rate.

Deposition rates with long-stickout welding are typically increased some 25% to 50% with no increase in welding current. With single-electrode, fully automatic submerged-arc welding, the deposition rate may approach that of two-wire welding with a multiple power source.

There are, however, side effects that must be anticipated. A change to long-stickout welding is similar to a change from reverse to straight polarity. Increase in deposition rate is accompanied by a decrease in penetration. This decrease generally is not large enough to prevent the use of long stickout except on applications where positive polarity is used for the express purpose of producing maximum penetration. Long-stickout welding also results in less tendency for burnthrough, which can be advantageous when the fitup is imperfect, and reduces the heat-affected zone.

A voltage drop accompanies the resistance heating of the extra length of projecting electrode. When the operator sets the voltage control of the wire-feeding equipment, he must compensate for this voltage drop to avoid having the arc operate at less than optimum voltage.

Long-stickout welding provides the greatest economies in fast-fill applications that require a large volume of weld metal, as, for example, in flat-fillet and groove butt welds. The reduction in heat-affected zone is particularly beneficial in the welding of quenched and tempered steels. In some instances, the heat-affected zone is reduced 25%.

Long-stickout techniques can also be used to good advantage in build-up and hardsurfacing applications. Here the benefits include greater speed, improved quality of deposit, and better appearance.

Flux and electrode types are selected for long stickout on the same basis as for standard stickout.



Wire sizes from 5/64 through 7/32-in. are used.

The suggested stickout limitations with solid electrode wires for submerged-arc welding are:

5/64, 3/32, 1/8-in. electrodes    3 in. maximum  
5/32, 3/16, 7/32-in. electrodes    5 in. maximum

These recommendations are based on practical considerations, such as ease of striking the arc, maintaining good wash-in, bead shape control, and avoiding undue electrode "wandering" within the nozzle extension. While these recommendations apply on most applications, longer stickouts are permissible, especially with larger electrodes.

## INFLUENCE OF JOINT DESIGN ON SUBMERGED-ARC PROCEDURES

### Butt Welds

Butt joints are commonly welded by the submerged-arc process in material ranging from 18-gage sheet metal to plate several inches thick. Procedures and weld design for butt joints depend upon whether the weld is to be made on sheet, on plate, or on extremely thick plate. In the latter case, the weld is called a deep-groove butt.

**Butt Welds in Sheet Metal:** Principal considerations are control of distortion and prevention of burnthrough. For control of distortion, the work must be rigidly supported. A copper or steel backup bar is often used for this purpose as illustrated in Fig. 6-37. Backup bars also help prevent burnthrough.

When a steel backup bar is used, a small gap is left between the plates to be joined. The weld penetrates into the steel bar, making it an integral part of the weldment. Where this addition of material is

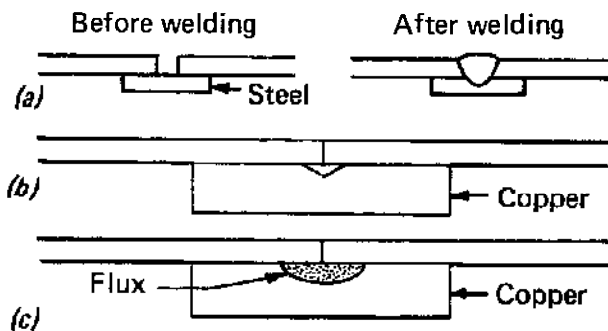


Fig. 6-37. Joints with backup bars. The steel bar in (a) becomes an integral part of the welded assembly. The notched copper bar (b) conducts heat away and does not fuse to the joint. Flux backup with a copper bar (c) provides a smooth back bead.

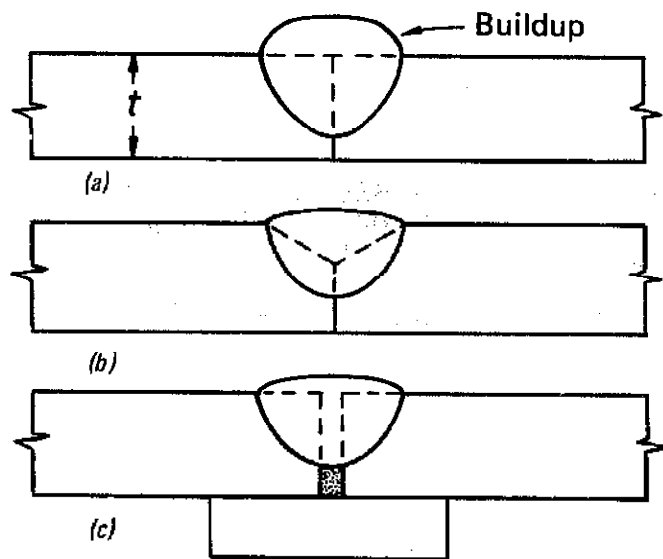


Fig. 6-38. Excessive build-up on thick-plate square-butt joints (a) can be corrected by a bevel (b) or by a gap (c). The maximum penetration possible without a backup strip in a square-butt joint is approximately 60 to 80%.

undesirable, a copper bar is used instead of steel. Because of its high thermal conductivity, the copper does not melt and thus does not fuse to the steel. The copper may be flat or may have a small groove, depending on the shape desired on the backside of the bead and the thickness of the sheet. The groove should be wider than the back bead to avoid undercut at the bead edges. When extremely smooth backbeads are desired, the weld is backed by a layer of flux placed in the groove.

**Butt Welds on Plate:** Complete (100%) penetration without burnthrough is usually required in square-edge butt welds for full strength. Plates up to 5/8-in. thick can be butted tightly and then welded with one pass from each side. With normal sheared or flame-cut edges, 60% penetration can usually be achieved from the first side. Penetrations up to 80% are possible if the edges are machined and fitted together tightly.

The built-up bead on top of the joint may be large and have irregular edges if two square edges are

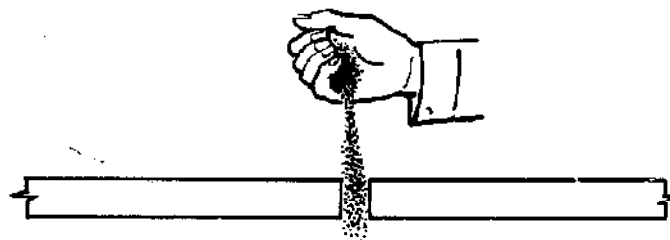


Fig. 6-39. Method for determining whether flux support is needed. A backup bar or seal bead is required if loose flux spills through the gap.

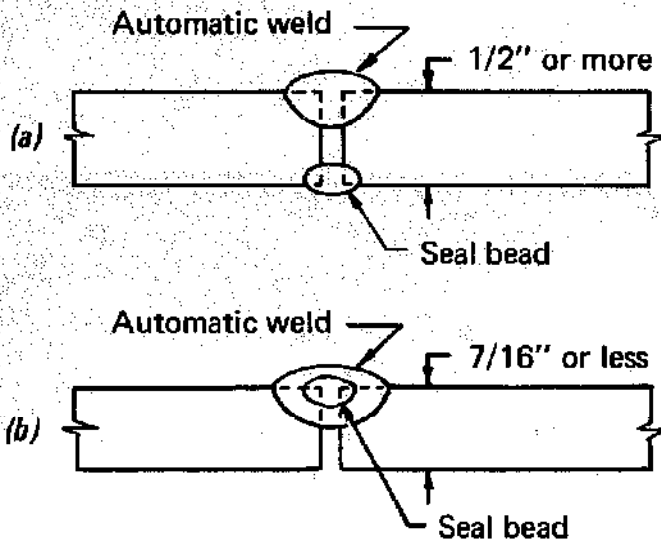


Fig. 6-40. Placement of seal beads depends on material thickness.

butted together tightly, with steel  $5/8$  to  $3/4$ -in. or thicker. Excessive build-up or irregular beads can be corrected by beveling the edges of the plates, or by leaving a gap between plates as shown in Fig. 6-38.

Gaps of any kind increase penetration. As a rule, either a backup strip or a seal bead is required to support flux if the gap is large enough to permit loose flux to spill through (Fig. 39). Seal beads can be made either manually or with semiautomatic equipment. The beads should be on the second pass side for workpieces more than  $1/2$ -in. thick. On material thinner than  $1/2$ -in., seal beads should be on the first-pass side (Fig. 6-40).

On steel up to  $1/2$ -in. thick, full-penetration welds can be made from one side if the workpieces are positioned with a gap, and a steel or copper

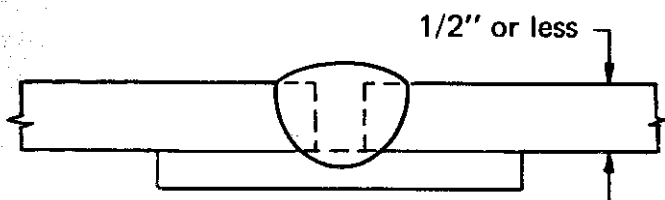


Fig. 6-41. Full-penetration weld made from one side with a backup bar.

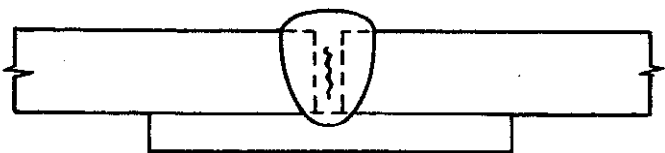


Fig. 6-42. An undesirable bead shape. The deep, narrow configuration promotes internal cracks.

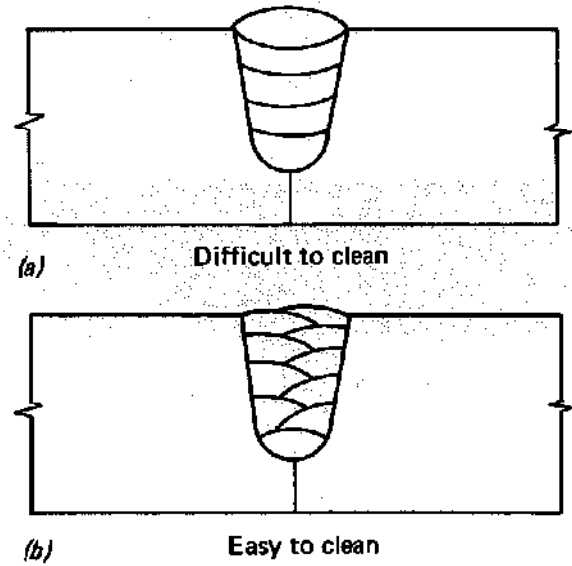


Fig. 6-43. Effect of multiple-pass welding techniques on ease of cleaning deep-groove welds. Slag generally is difficult to remove from large, concave beads (a), but can be removed easily from small, convex beads (b).

backup bar is used (Fig. 6-41). As with sheet-metal welds, the steel backup bar remains as a permanent part of the weldment. Avoid making deep, narrow beads, or beads with a wide surface flair — referred to as “hat-shaped” beads — because these types tend to develop internal cracks (Figs. 6-34 and 6-42).

**Deep-Groove Welds:** The first pass in a deep-groove weld requires the same considerations for penetration and burnthrough as square-edge butt welds on plate. The only difference is that the thickness of the land, rather than the entire material thickness, is important. In addition, flux depth, plate levelness, and slag removal are all important in deep-groove welding.

Flux has a tendency to pile up to depths greater than 1 in. in deep-groove joints. Since excessive flux causes poor bead shapes, only enough flux to prevent excessive arc flashing should be used.

The multiple-pass welds normally required with deep-groove welds generally create large molten pools that are quite fluid and “run” out of the joint easily if special precautions are not used. Therefore, the work should be level or inclined slightly for an uphill weld. (Welding on inclined plates is discussed later in this section.)

Slag removal is sometimes difficult in a deep-groove welding. Small beads with slightly convex curvatures are easier to clean than large beads with concave surfaces, as illustrated in Fig. 6-43. Therefore, there is usually a cost saving in making small beads that are easy to clean, instead of making fewer large beads that are difficult to clean.

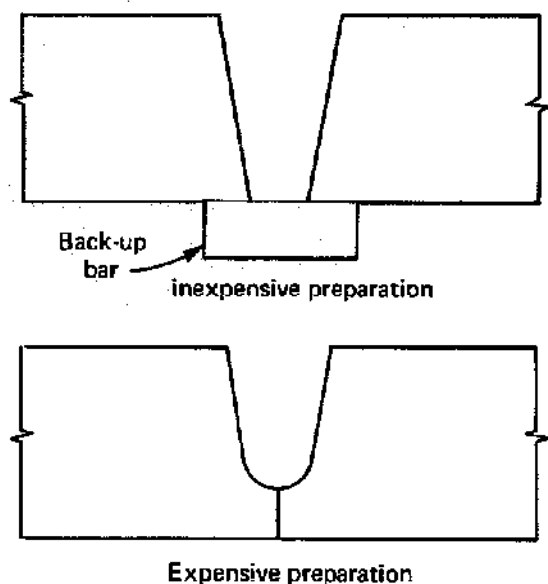


Fig. 6-44. Joint preparation for deep-groove welding. Bevel edges (a) can be prepared at less cost than the machined edges of U joints (b).

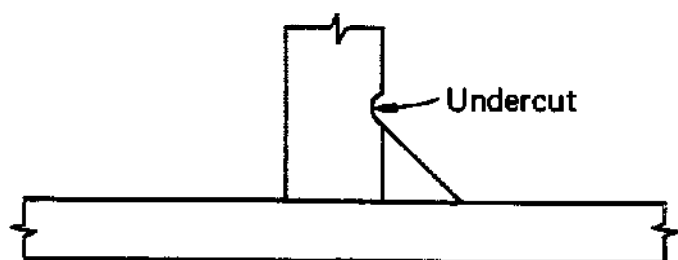


Fig. 6-45. Undercut may occur in single-pass fillet welds having legs larger than  $3/8$  in.

The cost of joint preparation is an important factor. V-type plate edges, which can be made at low cost by flame-cutting, are inexpensive (Fig. 6-44). U-type joints, on the other hand, are expensive to prepare.

### Fillet Welds

A  $3/8$ -in. leg is the largest single-pass fillet weld that can be made in the horizontal position with a single electrode. Attempts to make larger beads generally cause undercuts, as illustrated in Fig. 6-45. However, horizontal fillets up to  $5/8$  in. can be made with multiple electrodes.

Bead width should be at least 25% greater than bead depth, since narrow beads are subject to cracking. However, even when fillet welds are properly shaped, they are generally more likely to crack than other types of welds because of the highly restrained nature of fillet joints. This restraint often prevents the small deflections that normally absorb thermal stresses set up as the weld solidifies. The proper

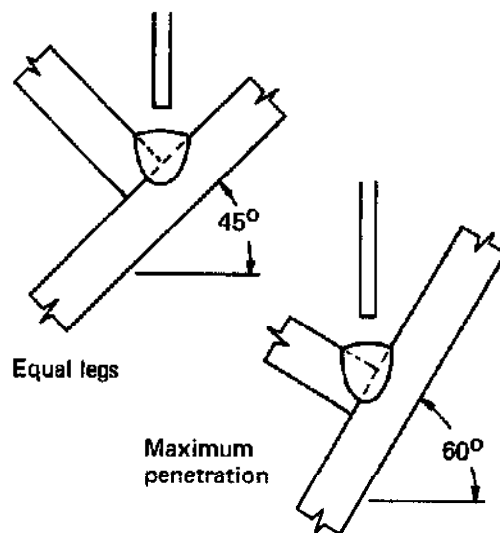
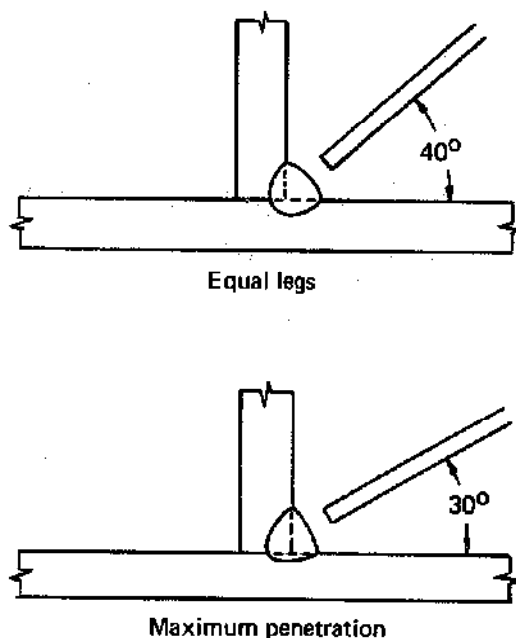


Fig. 6-46. Influence of electrode alignment on penetration and leg size. In horizontal fillet welds, a  $40^\circ$  inclination of the electrode (a) produces equal legs, while a  $30^\circ$  inclination (b) maximizes penetration. In flat fillet welds, positioning the work at  $45^\circ$  (c) provides equal legs, while positioning the work at  $60^\circ$  (d) maximizes penetration.

measures to observe for joint design are discussed more fully later in this section under **Preventing Weld Cracking**.

The maximum penetration of the arc tends to be aligned with the axis of the electrode. Electrode inclination can thus be used to control the leg length of the bead and the degree of penetration into the joint. This is illustrated in Fig. 6-46. In multiple-pass welds, succeeding passes should be placed so that the two legs are built up equally, as shown in Fig. 6-47. A protruding bead can result if inappropriate

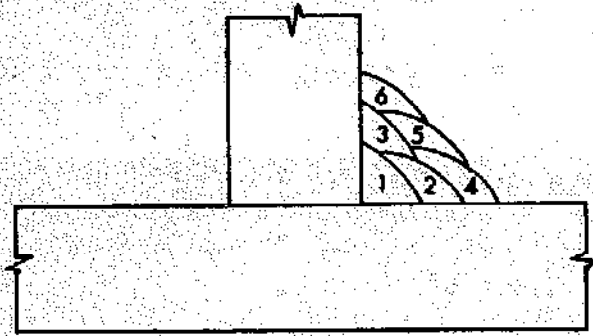


Fig. 6-47. Preferred sequence of bead deposit in multiple-pass welding. The two legs should be built up equally, so that leg lengths do not differ greatly as each layer is completed.

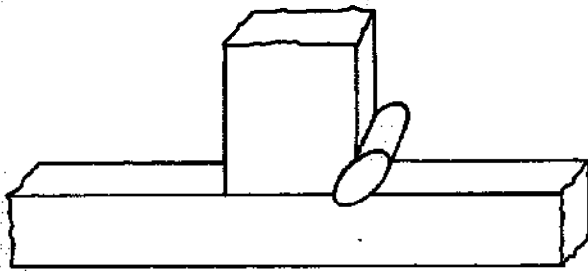


Fig. 6-48. Undesirable bead shape caused by too rapid travel speed, deep flux pile, excessively high current, excessively low voltage, or welding uphill.

welding variables or procedures are used, as shown in Fig. 6-48.

Porosity caused by arc blow is especially prevalent in fillet welds because of the magnetic effects set up by intersecting workpieces. Techniques for minimizing arc blow are discussed later in this section under Preventing Weld Porosity. Section 3.2 also discusses arc blow.

A fillet-lap attachment is recommended if horizontal fillet welds are to be made with fully automatic equipment. This attachment keeps the head in a vertical position while turning the electrode to the proper angle for the weld. The standard straight contact assembly should be used for flat or trough-position fillet welds. For any application, the head and flux hopper should not be tilted more than  $40^\circ$  from the vertical. A greater tilt can cause irregular flux flow.

### Lap Welds

Tight fitup and proper electrode alignment are principal considerations in making lap welds. The plates must be held together tightly; gaps promote poor bead shape and unsound welds. Since a tight fit inhibits the escape of welding gases, lap welds are particularly susceptible to porosity. Therefore, care

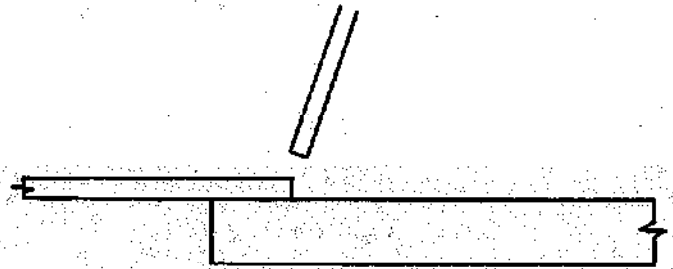


Fig. 6-49. Recommending positioning of workpieces for lap welding. The thin plate should be welded to the thick plate. The electrode should be inclined  $0$  to  $10^\circ$  from the vertical for material 10-gage and thinner. Inclination should be  $45^\circ$  for plate  $3/16$  in. and thicker.

must be taken to ensure that the joint is free of moisture, paint, and other contaminants.

Through-laps are preferred to edge-laps on 10-gage or thinner material where good appearance is not essential. When the workpieces are of differing thickness, the recommended procedure is to weld the thin plate to the thick plate (Fig. 6-49).

Position of the electrode is an important factor in determining lap-weld quality. The weld may not properly fuse to the bottom plate if the electrode is inclined too much toward the top plate. If it is tilted too far from the top plate, the weld may not properly fuse to the top plate and may burn through the bottom plate.

### Plug Welds

The principal consideration in making plug welds is to be sure that the weld fuses to both plates and completely fills the hole. A weld of  $3/4$ -in. diameter is normally the maximum size used for plug welding. Larger plugs are sometimes made with semiautomatic equipment by circulating the arc around the plug to completely fill the hole. Plugs up to 2 in. in diameter and 2 in. deep are made in this manner.

It is difficult to tell when the plug is filled, because the weld is always covered completely by

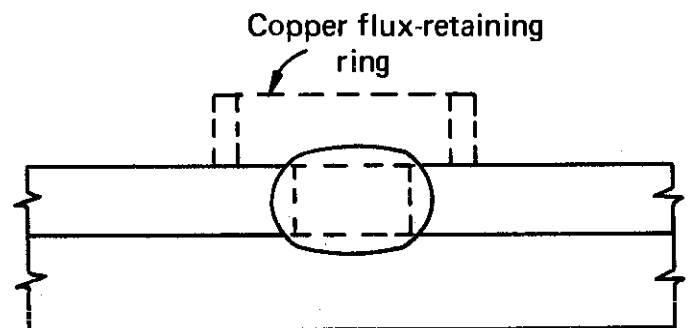
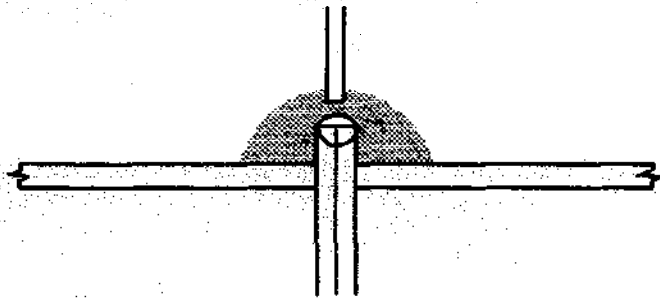


Fig. 6-50. Preferred geometry for plug welds. The weld must fuse into both plates and fill the hole completely.



**Fig. 6-51.** Position of workpiece and flux in an edge weld. The flux supports should be placed as near to the weld as possible without interfering with the weld bead.

flux. Therefore, plug welds are usually timed. The current is reduced for the last few seconds before the arc is broken to reduce the size of the crater at the top of the plug. A typical arrangement for the flux-retaining ring and workpiece is shown in Fig. 6-50.

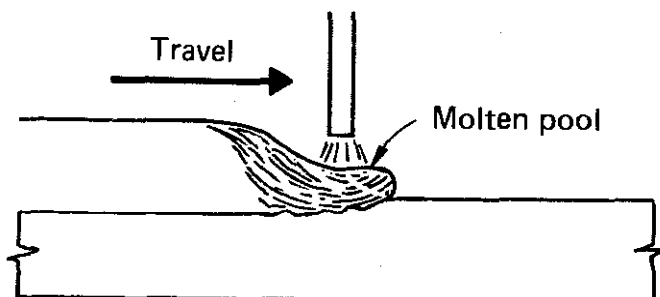
### Edge Welds

Edge welds are made at high travel speeds on sheet metal from 10-gage to about 16-gage. The major considerations involve guiding the electrode and supporting the flux.

The electrode must be guided accurately so that it is always positioned directly over the joint. Support is necessary to keep the flux from spilling over the edge and to hold the molten metal while it freezes. For best results, the weld should be made about  $10^\circ$  downhill. The positioning of workpieces, flux, and electrode for edge welding is shown in Fig. 6-51.

### Welds on Inclined Plates

The workpieces in submerged-arc welding normally should be positioned level, since welding on inclined plate may result in improper penetration and may produce a distorted bead. Welding uphill increases penetration, and welding downhill reduces



**Fig. 6-52.** Undesirable flow of molten weld metal in downhill welding. The work should be positioned so that the molten pool does not run ahead of the arc.

penetration. But there are two situations where inclining the work is advantageous — when welding sheet metal and when using multiple arcs on heavy, deep-groove joints.

Since excessive penetration is undesirable when welding sheet metal, a  $10$  to  $20^\circ$  downhill angle reduces penetration and permits use of high currents and rapid welding speeds. Inclines of more than  $20^\circ$  may produce distorted beads.

On heavy, deep-groove joints, particularly when made with multiple arcs, the molten pool is large and fluid. If the work is slightly downhill, this large pool rolls ahead of the arc and may promote an unstable arc, wavy bead, or shallow penetration, as illustrated in Fig. 6-52. Running the bead 2 to  $5^\circ$  uphill solves the problem.

### Circumferential Welds

Circumferential or roundabout welds differ from those made in the flat position in two important ways. First, the pool of molten flux and weld metal tends to spill off the work. Second, slag removal on multipass welds is a factor that controls the progress of the welding.

In flat work, the pool of molten flux and metal is kept beneath the electrode without too much difficulty, but on the curved surface of a circumferential weld tends to sag and run. In severe cases, the metal spills off the work. In less severe cases, the molten pool starts to run, but freezes before it spills, and thereby produces a distorted bead.

To avoid spillage or bead distortion, the weld metal must solidify as it passes over the vertical center of the part. This requires that the electrode be positioned ahead of vertical center — be advanced from the center line opposite the direction of rotation. The bead shape and welding characteristics can be controlled by varying the displacement or “advance” of the electrode along the circumference, as shown in Fig. 6-53. Inadequate displacement on an outer weld or excessive displacement on an interior weld produce deep penetration and a tendency for burnthrough. It also results in a narrow, humped bead. Excessive displacement on an outer weld or inadequate displacement on an inner weld produce a shallow, concave bead.

Suggested off-center distances for the electrode are listed in Table 6-23. The electrode should be positioned nearly perpendicular to the surface of the work, particularly on small circumferences. Positioning the electrode at too great an angle of incidence may produce a distorted bead and may cause difficulty in striking the arc.

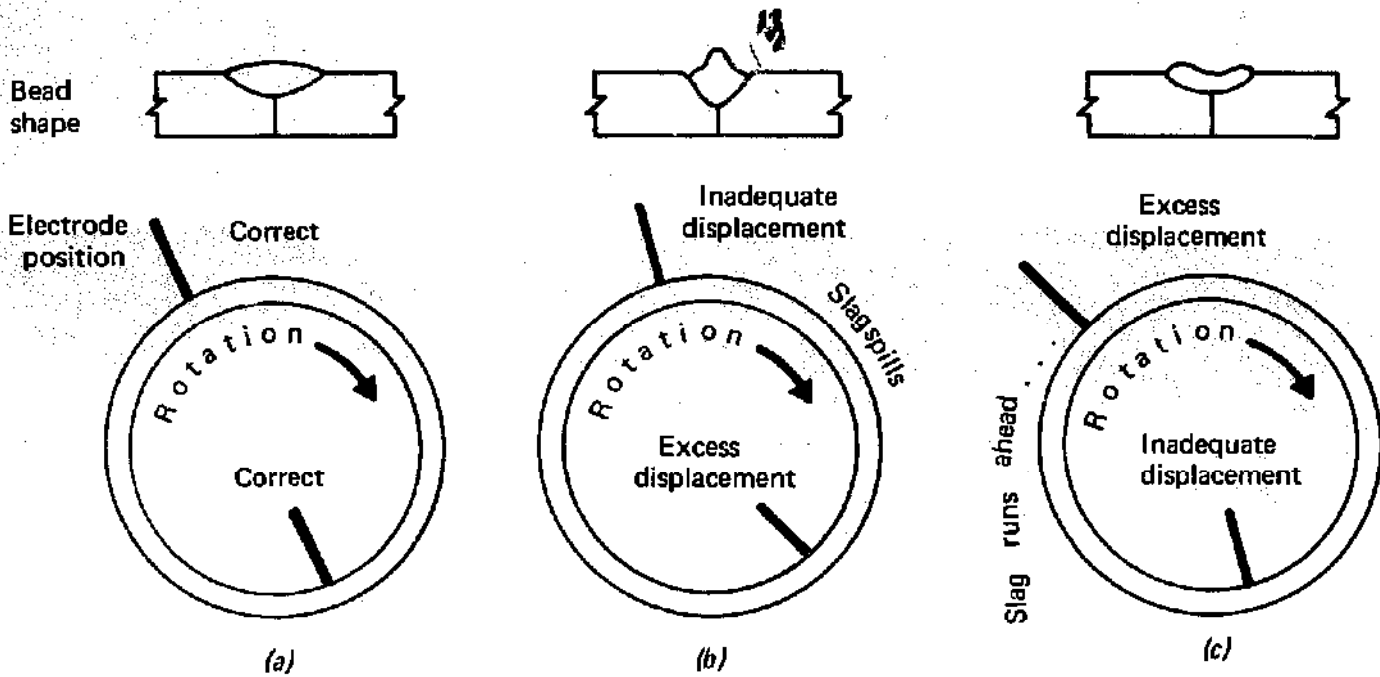


Fig. 6-53. Effect of electrode displacement on bead shape in circumferential welds. A displacement that avoids spillage of the molten pool produces a correctly shaped bead (a). Excess or inadequate displacement produces a distorted bead (b) and (c).

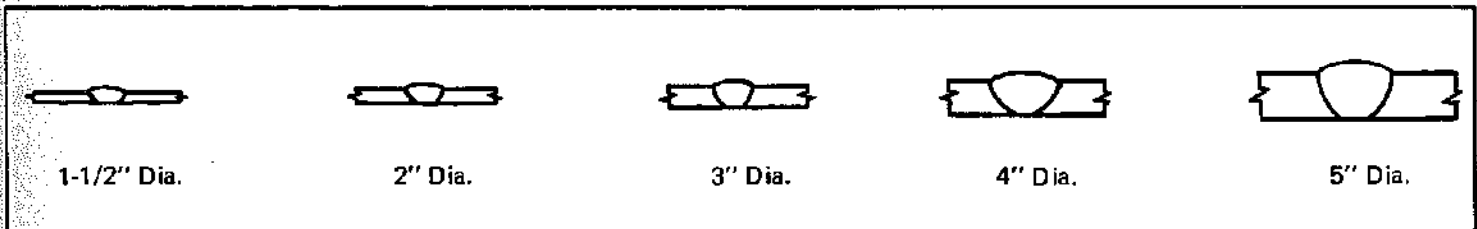


Fig. 6-54. Approximate size of largest beads attainable on small-diameter circumferential welds. Backups are required on thin sections, and special flux supports may be necessary.

TABLE 6-23. Recommended Electrode Lead For Circumferential Welding

Workpiece Diameter (in.)	Electrode Displacement Ahead of Vertical Center (in.)
1-3	3/8-3/4
3-18	3/4-1
18-36	1-1/4-1-1/2
36-42	1-1/2-1-3/4
42-48	1-3/4-2
48-72	2-2-1/2
72	3

Regardless of electrode position, the metal will spill simply because it cannot freeze fast enough if the molten pool is too big in relation to the size of the workpiece circumference. The size of the molten pool can be controlled by limiting bead size, which,

in turn, depends on the amperage and travel speed. Lowering the current and increasing travel speed reduce bead size.

The size of the bead is limited by the diameter of the work. Approximate maximum sizes for single-pass welds on small-diameter work are shown in Fig. 6-54. Small-diameter work generally should be set up for three-o'clock welding. For large-diameter work, procedures that give good welds with minimum difficulty are presented in Fig. 6-55.

Since the flux is granular, it, too, will spill off small-diameter work if not supported. One method to prevent flux spillage employs a nozzle assembly that pours the flux directly above the arc. Another method employs a wire brush or other flexible heat-resistant material attached to the nozzle assembly ahead of the arc, as shown in Fig. 6-56.

Flux support is also necessary at the edges of the work. Sheet-metal rings tack-welded to the edge, or

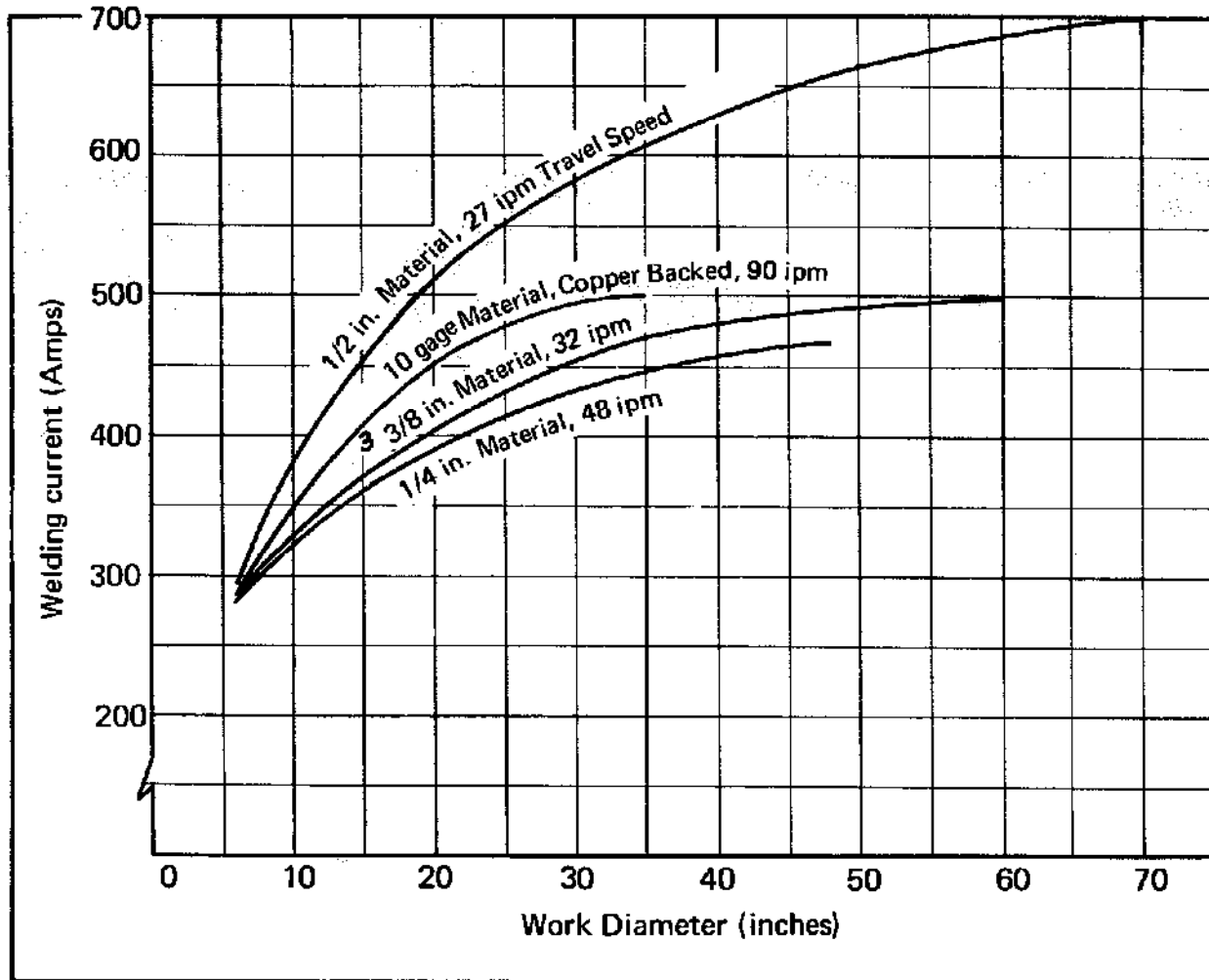


Fig. 6-55. Recommended welding currents for various workpiece diameters and thicknesses. Special provisions to control spillage should not be necessary. For diameters larger than those listed, use standard flat-position procedures.

flexible retainers that ride the edge, are used for this purpose. These devices support the flux so that beads can be made at the very edge of the work (Fig. 6-57). This technique is commonly used in building up or hardsurfacing rolls.

Excess flux promotes sagging or spilling. The flux should be just deep enough to cover the arc, but should not be so deep that it interferes with the solidification of the weld metal.

**Slag Removal:** The removal of slag on multiple-pass circumferential welds is particularly important, since all slag must be removed before the work makes a complete revolution if the weld is to run continuously. The ease with which the slag is removed is determined largely by the size and shape of the bead. Because small beads cool quickly, slag generally does not stick to them readily. On two-pass welds, the first pass should be flat or slightly concave and blend upward to the top edges of the joint to promote easy slag removal. Convex or

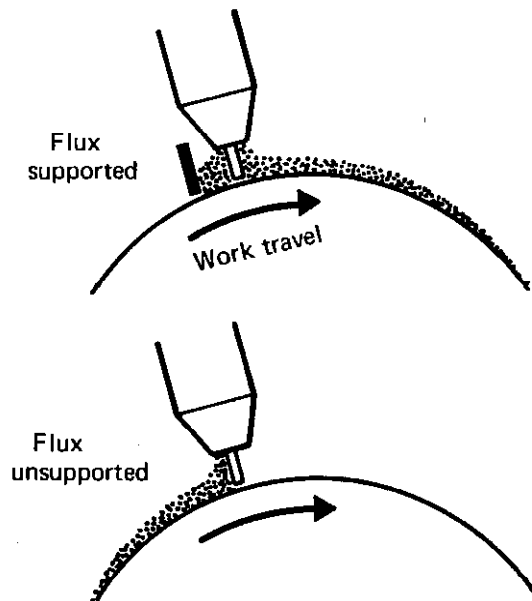


Fig. 6-56. Placement of flux support to avoid flux spillage on circumferential welds.

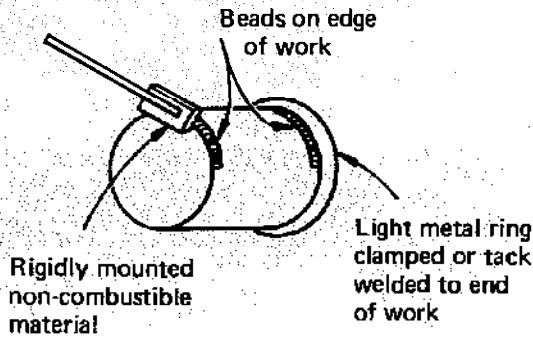


Fig. 6-57. Two types of flux supports for circumferential welds made at the edges of a roll.

undercut beads tend to lock the slag to the weld at the edges of the bead and thereby impede slag removal (Fig. 6-58). However, on deep-groove welds requiring several passes, it is better to stagger the passes as in Fig. 6-59(a). For good slag removal, make the beads less than the width of the groove and slightly convex. Wide, concave beads, as in Fig. 6-59(b), make slag removal difficult.

In heavy work, such as that encountered in thick pressure vessels, weldors have a tendency to put down as large a bead as possible with each pass. This practice, however, is not economical. Circumferential welds can usually be made most rapidly by using many small beads that permit continuous welding because the slag falls away readily. With large beads, slag tends to stick to the bead, and the process must be stopped frequently for slag removal.

Another way to improve slag removal, particularly on small-diameter work that may overheat during welding, is to direct an air jet against the weld. Locating the air nozzle between the two and three-o'clock positions usually provides the best results.

Special care should be exercised with flux collection on long, continuous beads. Clean flux not only promotes sound, smooth welds, but also helps avoid

clogging in the gun and flux-feed mechanism. The flux should be collected before it reaches the floor. A vacuum recovery unit will remove dust, and a magnetic separator removes particles of steel.

## WELDING WITH MULTIPLE ARCS

Although the general rules governing operating variables for single-arc welding also pertain to multiple-arc welding, there are additional considerations that must be kept in mind when welding with multiple arcs. The use of two or three welding heads provides better control of bead shape so that faster speeds are possible. But multiple heads also introduce additional variables that must be controlled properly for satisfactory results.

Since multiple electric arcs interact magnetically, the type of power fed to each must be chosen to minimize arc blow and other detrimental effects from this interaction. In two-arc welding, combining a DC and an AC arc is usually preferred, because the arcs are easier to control. There are, however, many successful applications where both arcs are AC. Where three arcs are used, the lead arc is usually DC, and the two trailing arcs are usually AC.

**Welding Current:** Penetration and melt-off rate are determined by the current level. The lead arc has the greatest effect on penetration and usually is fed the most current. Current in the trailing arc is adjusted to provide the desired build-up. Excessive current in the trailing arc causes molten metal to splash out of the joint, while too little current may allow the electrode to stick to the workpiece.

**Arc Voltage:** Bead width and penetration are determined by arc voltage. If the electrode spacing is less than 2 in., the lead arc is usually set at the minimum possible voltage to provide maximum penetration. The voltage in the trailing arc is then

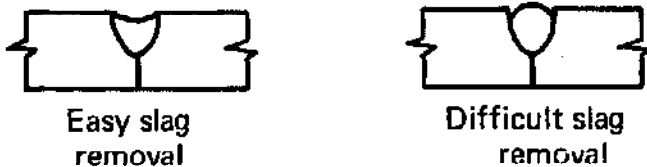


Fig. 6-58. Preferred and undesirable bead shapes for the initial pass of a two-pass weld. The bead should wash up to the edges of the groove to facilitate slag removal.

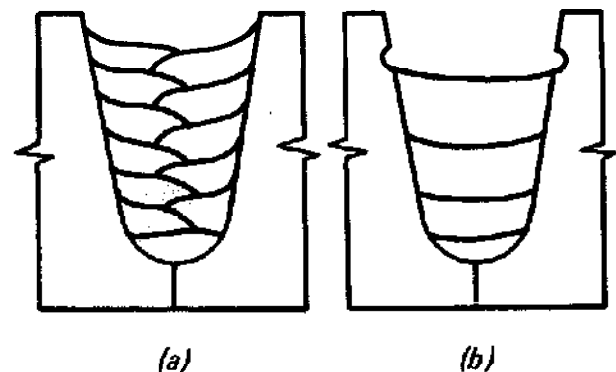
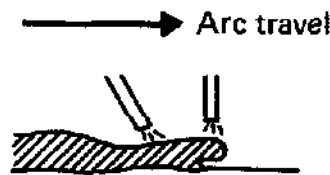


Fig. 6-59. Narrow and slightly convex beads (a) are easier to clean than wide concave beads (b).





**Fig. 6-60.** Effect of excessively slow travel speed in multiple-arc welding. The trailing arc may wash metal under the lead arc and cause a wavy bead.

set to provide the desired bead shape and width. On the trailing arc, voltage may be set as high as 35 to 42 volts to provide good wash-in on the edges of the weld.

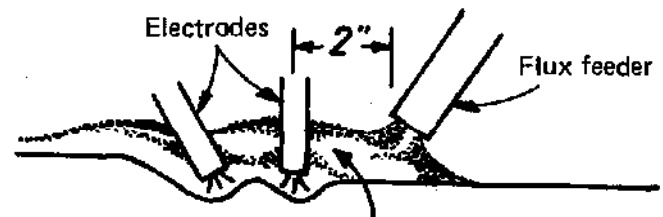
**Electrode Size:** Electrode diameter also affects penetration. Small diameters maximize penetration, but it may be necessary to select a large electrode for the lead arc to carry the required current. With DC-AC-AC three-arc welding, the third (AC) electrode is usually the same size or smaller than the first AC (second-arc) electrode. Electrode spacing and current for the trailing arc are usually the same or less than that of the lead AC arc, but voltage is usually higher for the trailing arc.

**Polarity:** On the lead arc, DC reverse polarity provides maximum penetration, and DC straight polarity provides maximum deposition rate. When DC is used on the lead arc, AC on the trailing arc provides the best control over magnetic interaction.

**Travel Speed:** Bead width and penetration are determined by travel speed. Increasing speed decreases penetration and produces a narrow bead with a tendency toward undercutting. Excessively slow speed may allow the trailing arc to wash metal under the lead arc, resulting in an erratic arc and rollover at the bead edges, as illustrated in Fig. 6-60.

**Type of Flux:** With proper procedures, most mild-steel fluxes can be used in multiple-arc welding. However, some fluxes are designed for high-speed welding, while others work better on slow-speed, deep-groove welding. Consult the flux supplier for advice.

**Flux Depth:** In addition to protecting the molten weld metal against contamination, flux also serves as a mechanical dam that prevents molten slag and metal from flowing forward where it would interfere with the arcs. Flux should be deposited to a depth where the trailing arc barely breaks through occasionally. Excessive flux depth may promote a narrow, rough bead. The flux should be applied far enough in front of the arc — about 2 in. minimum — to prevent molten flux or metal from running ahead of the arc (Fig. 6-61).



**Fig. 6-61.** Recommended placement of flux in multiple-arc welding. Flux should be deposited at least 2 in. in front of the lead arc so that the flux serves as a dam for molten metal and slag.

**Electrode Spacing:** The distance between electrodes affects penetration and bead width. A spacing of  $5/8$  to  $7/8$  in. usually is preferred except on horizontal fillet welds where the spacing may be as much as 5 in.

**Electrode Stick-out:** The nozzles should be 1-1/4 to 1-1/2 in. above the work, or should just clear the top of the flux. When using the long stick-out technique, a wire guide is necessary below the contact tip. (See Fig. 6-36.)

**Electrode Alignment:** The electrodes should be kept directly in line, one behind the other, to within  $1/32$  in. The plane of alignment should be perpendicular to the surface of the work. Improper alignment produces undesirable bead shapes.

**Grounding:** The location of ground connections is important, especially on short welds. Both AC and DC ground connections should be at the start of the weld, unless back blow is desired to keep weld metal from running ahead of the arc. Where back blow is desired, the weld should be made toward the ground connection.

**Nozzles:** An insulated clamp on the nozzles helps maintain proper electrode alignment. Worn tips should be replaced, because they cause misalignment and poor contact, which can produce erratic arc action.

### Deep-Groove Welding with Multiple Arcs

**Alignment:** Maintaining alignment of the welding heads is exceptionally important when multiple arcs are used for deep-groove welding. The following rules should be observed to maintain alignment:

1. The seam should be aligned exactly with the line of travel of the welding heads so that little or no adjustments are needed after welding begins.
2. The work should be level across the seam, and level or slightly uphill (2 to 5 degrees)

along the length of the joint. Leveling across the seam permits proper alignment between the wall of the joint and the electrodes. Welding slightly uphill helps prevent molten flux and metal from running ahead of the arc. Since multiple-pass welds tend to build up faster at the start of the weld, filling the crater at the finish end by stopping travel before breaking the arc helps maintain an even build-up.

3. When making weld beads as in Fig. 6-43(b), electrodes should be spaced away from the wall of the groove a distance approximately equal to the width of the larger electrode. The heads should have provisions for horizontal adjustment so that they can be easily moved across the joint for alignment.
4. Electrode stickout should be the same for all passes. Maintaining this constant stickout usually requires raising the heads slightly after each pass to compensate for the build-up of the previous bead. Constant stickout also ensures proper spacing between electrodes. The heads can be raised easily if the equipment includes a vertical lift adjustment.

**Joint Preparation:** Side-wall angles should not be less than  $70^\circ$  after the plates have pulled together from contraction. Perpendicular sides are easily undercut and thus difficult to clean. But too large an angle wastes material. Run-off tabs are necessary on most jobs, except for the welding of girth seams. Tabs must be used at both ends of the joint and should be shaped exactly like the joint. They should be heavy enough to minimize arc disturbance, and should be welded to both sides of the joint and the steel backup bar if one is used. Close the finish end to provide a magnetic bypass and minimize arc blow.

**Preheat and Postheat:** The appropriate preheat and interpass temperatures can be determined from tables or special slide rules. The entire workpiece should be preheated if possible. After welding, all pieces should be cooled slowly to room temperature. Postheat can be used to avoid cooling cracks on rigid workpieces.

**Root Passes:** To ensure adequate penetration, the first few passes in the root are quite critical. For these root passes, a single arc with DCRP (electrode positive) is recommended, except where arc blow occurs, in which case use AC.

**Bead Shape:** Beads should be made slightly

convex to inhibit longitudinal cracking. The beads should also be positioned almost flat, rather than being inclined against the wall as with a fillet.

**Control of Molten Weld Metal:** Preventing the molten flux and metal from running ahead of the arc is most important. The following practices, summarized from the prior discussion, are helpful in keeping the molten pool properly contained:

- Use high speeds.
- Weld slightly uphill, not downhill.
- Keep flux piled well ahead of the arc.
- Do not start on a high spot in the previous bead.
- Maintain proper alignment of electrodes and joint.
- Use high voltage on the trailing arc to flatten the bead.

## PREVENTING WELD POROSITY

Porosity due to the entrapment of gas in the weld metal is not desirable, although the strength of the weld is not lowered appreciably unless the porosity is very severe. Porosity may be evident on the surface, as in Fig. 6-62, or may occur beneath a sound surface. Various factors are causes of weld

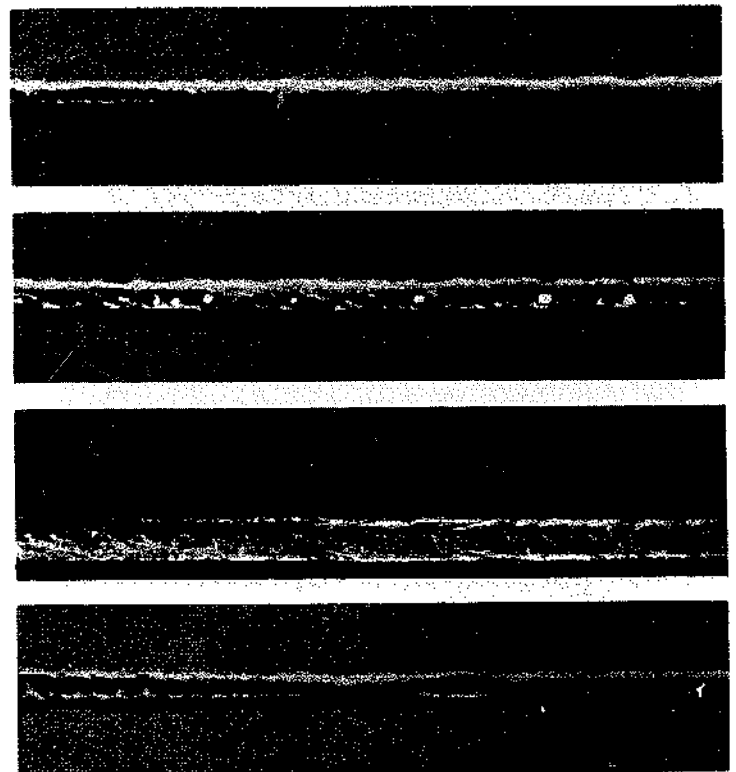


Fig. 6-62. Severe porosity apparent on the surface of the weld bead. Causes of the porosity are (from the top down) oily workpiece, dirty flux, insufficient flux, and backward arc blow.

porosity. These factors and their control are discussed in the following text.

**Contaminants in the Joint:** The most common cause of porosity is the presence of organic materials or other gas-producing contaminants in the joint. Weld joints, thus, must be free of foreign matter, such as rust, dirt, oil, and moisture for porosity-free welds. Although cleaning the exterior surfaces (top and bottom of the plate) helps reduce porosity, the abutting edges of the workpieces must be cleaned for best results.

It is not necessary, however, to clean every edge that is to be welded by submerged-arc. Edges that have been prepared by machining or flame-cutting can be welded without further cleaning if they are not rusty or oil-coated. Also, edges with ordinary mill scale can be welded if the scale is not loose or flaky. Even heavy "blue" mill scale can be welded satisfactorily if a silicon-killed electrode is used. Blue mill scale is dark gray or black in color and has no detrimental effect in welding. "Red" mill scale,

however, which is reddish brown in color, has the same detrimental effect as rust.

Power wire-brushing and torch-heating are used to clean rust and red mill scale from edges (Fig. 6-63). Either method, used individually, greatly reduces the porosity normally produced by these contaminants. For best results, however, both cleaning techniques should be used in combination.

Joints should be brushed clean before they are fitted together, then a flame torch should be played on the joint about a foot or two in front of the arc during welding to drive off residual moisture. If there is red mill scale or rust on the plate, the surface of the plate edges must be heated to about 400 to 600°F to drive off the moisture. Some moisture will remain to cause porosity if this temperature range is not reached.

Oil, grease, and die lubricants should be removed by degreasing and washing operations. The washing compound must be rinsed away completely, and the work must be dry before welding begins.

**Wire Contamination:** Welding electrodes sometimes become rusty during storage. This rust may cause porosity, especially in high-speed welds on light-gage sheet metal. Rusty wire also may not feed properly through the feed cables of semiautomatic welders, and the rust causes excessive wear and arcing at the contact nozzle. Do not attempt to use rusty wire.

Wire that has become contaminated with oil, grease, or dirt should be cleaned prior to welding. Sometimes, a small amount of lubricant is put on the wire for semiautomatic welding to improve feed through the cable. If too much is applied, it will cause porosity.

**Insufficient Flux:** If an inadequate amount of flux is used, the arc flashes through the flux and causes scattered surface porosity. On the other hand, too much flux causes an undesirable bead shape. The correct amount is indicated when the light of the arc reflects on the wire.

Insufficient flux coverage is more common on circumferential welds than on flat welds. On small circumferential welds, the flux must be contained around the arc by mechanical support. The weld may contain surface porosity if the slag spills off the weld before it has solidified. The danger of slag spillage is especially great with corner welds and with multiple-pass horizontal fillet welds.

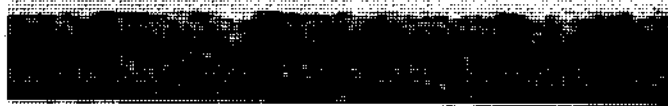
**Contaminants in the Flux:** Contaminants may be picked up by the flux-recovery system and deposited in subsequent welds. The flux should be discarded if these contaminants cannot be removed



Rusty plate before welding



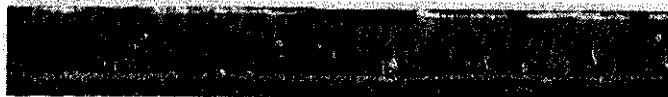
Weld on uncleaned rusty plate



Weld on torch-heated rusty plate

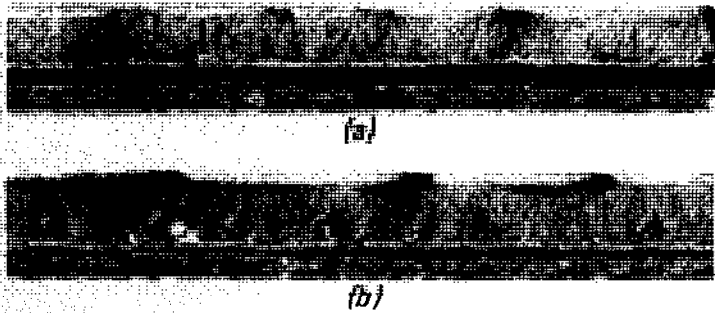


Weld on rusty plate wire-brushed before tacking



Weld on rusty plate wire-brushed before tacking and torch-heated

**Fig. 6-63.** Effect of various rust-removal methods on weld porosity. Power wire-brushing combined with torch-heating results in minimum porosity.



**Fig. 6-64.** Porosity caused by entrapped flux (a), and sound weld (b) produced by reducing penetration. Penetration in (a) came within 5/32 in. of the backup bead, but missed the backup bead in (b) by 3/16 in.

by the recovery equipment (by magnetic separation or heating, for example).

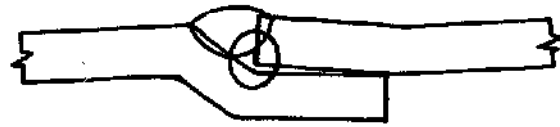
Welding flux in factory-sealed moisture-resistant bags can be stored for several months in a dry area without picking up moisture. Flux exposed to the atmosphere will pick up moisture by condensation especially in a humid location. Flux can be dried by heating to 500°F for a period long enough to ensure that the entire bulk has reached that temperature. For a long exposure period in a humid atmosphere, 750°F may be necessary.

Dirt must be kept out of the flux. The flux-recovery system should be equipped to remove dust from the flux. Collected dust should be removed from the recovery equipment regularly. If it is not removed frequently, slugs of dust may fall into the recovered flux and cause large holes in the weld.

On some joints, such as those inside tanks, pieces of mill scale may fall onto the joint and contaminate the weld. This scale also may reach the weld through the flux-recovery system. However, mill scale can easily be removed from recovered flux by a magnetic separator.

**Entrapped Flux:** There is a possibility of porosity wherever there is an opportunity for flux to become trapped between the bottom of the bead and the opposite side of the joint. This porosity may either be subsurface or may come through to the surface as large holes. The solution to this problem is to leave at least 5/32 in. between the root of the weld and the other side, or to penetrate completely into the other side so that no unwelded space remains (Fig. 6-64).

Porosity from entrapped flux is most commonly encountered in butt welds. If the gap between the plate edges is 1/32 in. or more, flux may spill into the gap ahead of the arc. The remedy is to back the joint with a manual or semiautomatic weld or a backup strip. The bead must penetrate the backup,



**Fig. 6-65.** An offset lap weld, which tends to trap flux at the bottom of the joint. The first pass may be porous, but the second pass will be sound.

or clear the backup by at least 5/32 in.

Offset lap welds, as illustrated in Fig. 6-65, are vulnerable to flux entrapment. Here, it is necessary to penetrate beyond the corner of the joint to produce porosity-free welds. Such penetration frequently cannot be obtained with a single pass, so two passes must be used. The second pass remelts most of the first, and the resultant deposit is clean and porosity-free.

**Segregation:** The composition of the base metal has a bearing on the porosity occurring in the weld. Even when composition is within acceptable limits, possible local segregation of constituents may promote porosity. Sulfur in particular tends to segregate within steel alloys. These sulfur segregations can be detected by a deep etch of the cross section, or by other chemical processes. Severe segregations may appear as laminations and cause large holes in the weld.

When it is necessary to weld steels with sulfur segregation, use procedures that give minimum admixture (low current, negative polarity, and large electrode diameters), and travel as slowly as possible to allow gases to escape through the molten pool. On joints that are normally square-edge butts, scarf the joint; and on joints that are normally beveled, increase the scarf. Also use multiple passes where possible.

**Press-Fit Lubricants:** Parts to be joined by a press-fit are usually coated with a lubricant, such as white lead, prior to mating. If a weld is then made in the vicinity of the press fit, the lubricant gives off gases that cause porosity, usually large holes at or near the end of the weld. Preferred practice is to avoid press fits in joints to be welded and to allow a gap of up to 1/32 in. But if press fits must be used, one piece should be knurled to allow a path for gases to escape.

**Inappropriate Polarity:** Though the effect of polarity on porosity is slight and not normally an important factor, positive polarity generally produces less porosity than negative polarity. Negative polarity, however, results in less porosity with sulphur-bearing steels or with other alloys where penetration and admixture are to be minimized.

**Excessive Travel Speed:** Reducing travel speed reduces porosity, since slow speeds allow gaseous materials to boil out of the molten weld metal. But a reduction in speed generally increases costs, so other solutions should be investigated first. The effect of speed on porosity is particularly strong with light-gage sheet, where rapid travel tends to increase porosity by increasing arc blow. Reducing speed may substantially reduce porosity here, if other means of controlling arc blow are not effective.

**Slag Residue from Tack Welds:** Slag from some types of electrodes may cause porosity where tack welds are covered with a submerged-arc bead. To avoid this problem, the manual electrodes used for tack welding should be of the E6010, E6011, E7016, or E7018 classes. These electrodes do not leave a residue that causes porosity in subsequent cover welds.

## PREVENTING WELD CRACKING

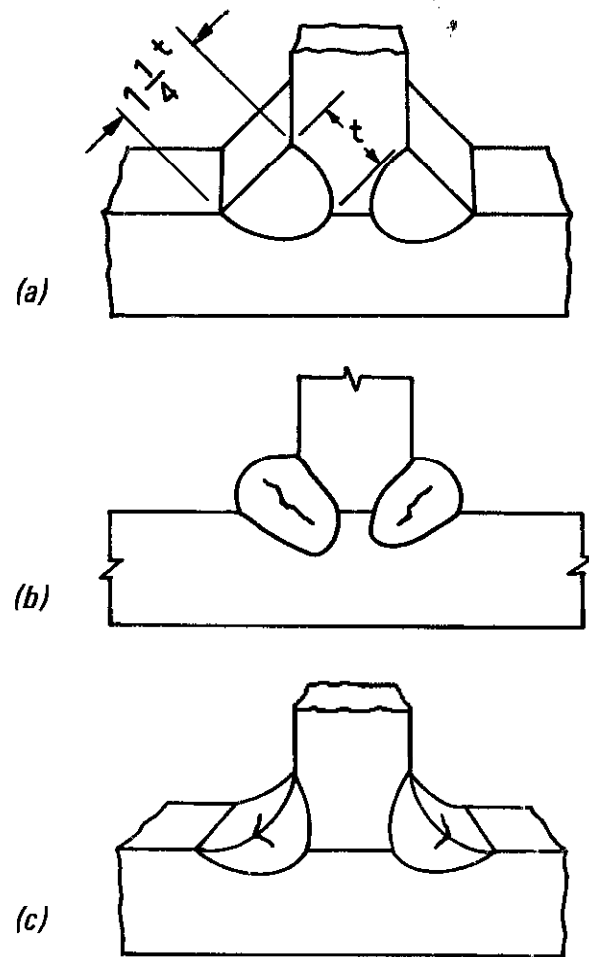
Weld cracking with mild steel is seldom a problem in material less than 3/8 in. thick. With thicker material, welds are subjected to rapid cooling rates, which frequently induce high stresses and lead to cracking. Low ambient temperature increases the cooling rate and produces a similar effect. Constrained shapes not free to flex or deflect under thermal stresses also have a tendency to crack, as do steels of high hardenability or "hot-shortness." The term "weldability," used to indicate the relative ease with which steels can be welded without cracking, is discussed in Section 6.1.

### Cracking in Fillet Welds

Cracking is more common in fillet welds than in butt welds because both legs of a fillet joint are rigidly fixed. This rigidity prevents deflections that normally absorb thermal stresses. The following factors influence the crack resistance of fillet welds:

**Gap:** When any part to be welded is more than 1 in. thick, a gap of 1/32 to 1/16 in. should be used to allow the weld to shrink during cooling. Grooving the plate edges or inserting a compressible material between the workpieces minimize the shrinkage stresses.

**Polarity:** Positive polarity is normally recommended for fillet welds to obtain greatest penetration and minimum tendency for porosity at high speeds. But if the chemical composition of the workpiece promotes cracking, negative polarity should be used to reduce penetration and minimize



**Fig. 6-66.** Influence of bead shape on weld cracking in fillet welds. Welds least likely to crack are those (a) with a width that exceeds the depth. The minimum recommended ratio of width to depth is 1.25 to 1. Beads with greater depth than width (b) may crack internally. Regardless of bead shape, concave bead surfaces (c) should be avoided, because they promote surface cracks.

admixture with plate metal. Also, the 20 to 30% increase in melt-off-rate with negative polarity helps build up an adequate bead with the preferred convex shape.

**Electrode Size:** Large-diameter electrodes should be used when cracking is a problem to reduce penetration and decrease admixture with the parent plate.

**Flux Coverage:** Flux thickness should be just adequate to cover the arc.

**Number of Arcs:** Twin electrodes, frequently used on flat fillets, produce less penetration, less admixture, and more melt-off compared to a single arc. For a given arc speed, twin electrodes thus reduce tendencies toward porosity and cracking. Twin electrodes also produce less arc blow.

**Type of First Pass:** A manual first pass with an E7018 electrode reduces admixture and thereby minimizes cracking tendencies. This practice is also

good assurance against burnthrough where poor fitup is encountered.

**Bead Shape:** Width of the weld cross section should be 1-1/4 times the depth to reduce stresses caused by internal shrinkage, as illustrated in Fig. 6-66(a). This rule-of-thumb is especially important on steels with high cracking tendencies. Beads that are too deep may crack internally, Fig. 6-66(b). Slag removal also is difficult with deep beads. The bead surface must not be concave. Although concave welds have a pleasing appearance, the resulting surface stresses promote surface cracks.

**Edge Preparation:** Internal cracking and slag inclusions are possible if the prepared angle on single-pass welds is too acute. Bevel joints should not be used unless they have included angles of at least 60°, so that the width is greater than the depth. If 100% penetration T joints are specified on heavy plate, the first pass on each side should be made with E7018 electrode, or the joint should be prepared in a manner to avoid excessive penetration and the resultant possibility of beads having greater depth than width.

**Angle of Electrode:** When two steels to be welded are of differing chemical analyses, arc movement should be toward the more weldable alloy to minimize admixture with the less weldable alloy.

**Electrode Stickout:** As electrical stickout (distance from point of electrical contact to electrode tip) is increased, melt-off rate increases while penetration and admixture decrease. Increased stickout thus reduces cracking tendencies, but also increases the difficulty of controlling the bead shape.

**Grounding:** The workpiece should be grounded at the "start" end of the weld, except on short welds, which should be grounded at both ends of the joint.

**Speed and Current:** Travel speed and welding current should be decreased as the proportion of carbon and other alloy constituents in the steel increase. This measure reduces cracking tendencies by reducing penetration and minimizing the size of the molten puddle.

### Cracking in Butt Welds

Cracking in butt welds is less common than in fillet welds because butt joints are less constrained and can generally deflect enough to absorb thermal stresses. But when cracking is encountered in butt welds, the following factors should be reviewed:

**Bead Shape:** "Hat-shaped" beads, caused by excessively high voltage or slow travel speed, may promote cracks at the change in bead contour where

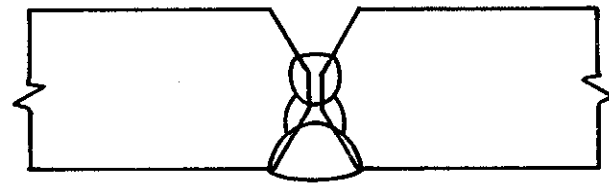


Fig. 6-67. Deep, narrow beads in a back-chipped butt joint are prone to cracking. Beads should be wider than they are deep.

the "crown" joins the "brim" (Fig. 6-34). A reduction in voltage is usually sufficient to avoid such cracks, but an increase in travel speed may also be required in some cases. These measures may require that the weld be made with two passes instead of one.

Bead shape may also promote cracking in seams that have been back-chipped or back-gouged. Cracking, therefore, is often a concern in the first pass on the second side of a double-beveled joint. Since the groove produced by back-gouging or back-chipping is deep and narrow, the bead placed in this trough often has a tendency to crack (Fig. 6-67). The appropriate measure in this case is to produce a groove that is wider than it is deep.

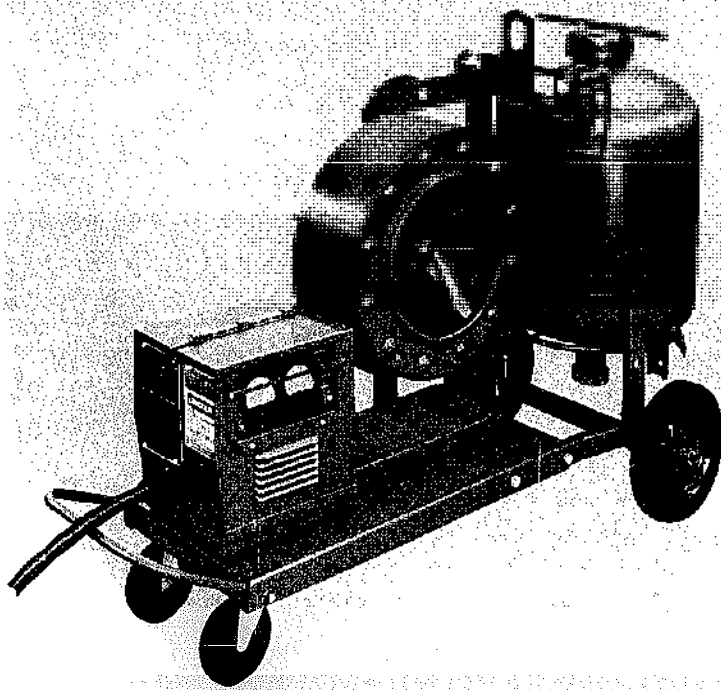
**Admixture:** Butt joints made in steels of poor weldability may have a tendency to crack. The appropriate remedy, as described in the prior paragraphs pertaining to fillet welds, is to reduce admixture with the base metal. This is usually best accomplished by using negative polarity, large electrodes, twin electrodes, a manual first pass, long electrode stickout, slow travel speeds, or low currents.

**Alloy Pick-Up from the Flux:** Excessively high arc voltages cause substantial pick-up of manganese and silicon from some fluxes. This pick-up usually can be avoided by not exceeding voltages recommended in standard procedures tables.

## WIRE FEEDING EQUIPMENT AND CONTROL SYSTEMS

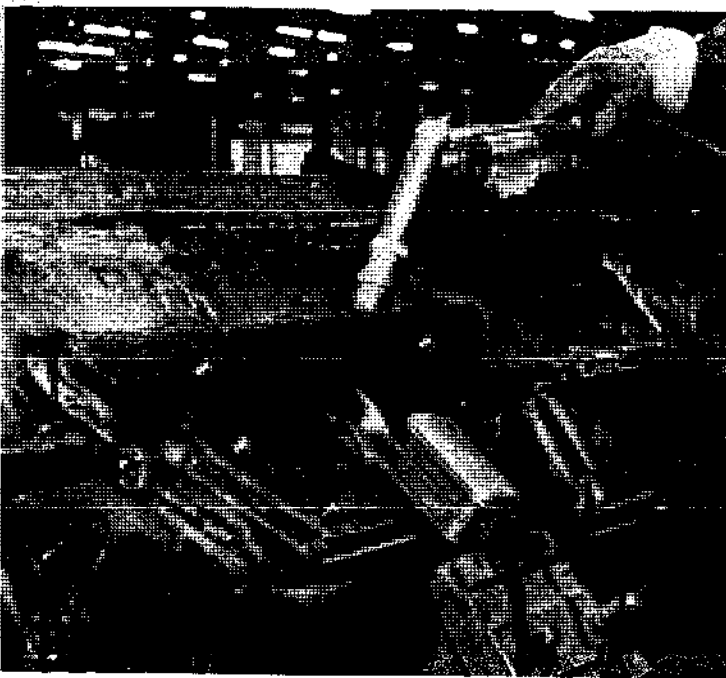
The submerged-arc process is inherently a mechanized process — either semiautomatic or automatic. The electrode-feeding equipment varies with the degree of mechanization.

**Semiautomatic Welding:** Semiautomatic equipment, commonly called manual "Squirt," maintains a preset current and voltage. The operator must strike the arc, guide the welding gun along the seam, and manually pace the travel speed. A remote electrode-feeding mechanism (Fig. 6-68) feeds the electrode and automatically controls the current and voltage. A typical gun, shown in Fig. 6-69, is hand-held by



**Fig. 6-68.** A typical electrode-feeding unit for semiautomatic submerged-arc welding. The flux tank holds approximately 100 lbs of flux, which feeds by dry fluidization through a hose to the gun.

the operator. In Fig. 6-70, a travel-speed device is added to the gun, but the operator must hold the gun and guide it along the seam. In Fig. 6-71, the gun is mounted on a small tractor that rides on the work and follows the joint. This relieves the operator from holding and guiding the gun, and reduces his function to setting the guide rolls for the joint,



**Fig. 6-69.** Typical gun for semiautomatic submerged-arc welding. The gun is designed for fluidized flux feeding.

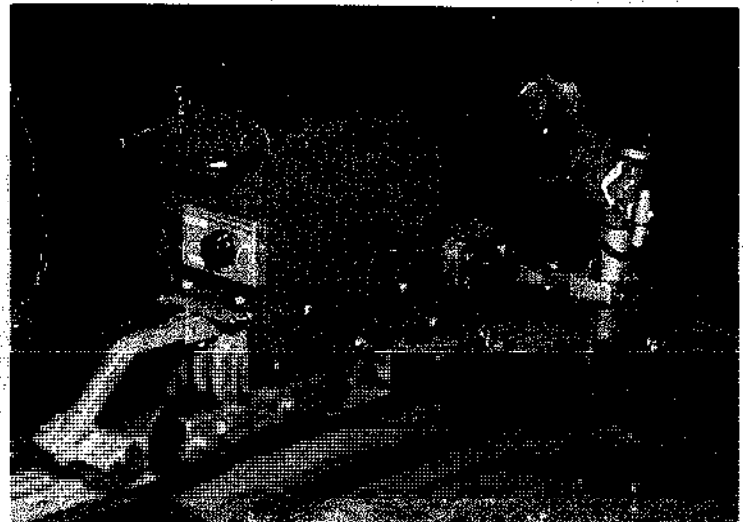


**Fig. 6-70.** Gun with a travel mechanism attached.

starting the welding, and monitoring the progress as the tractor rides the seam. Equipment shown in Fig. 6-70 and 6-71 is called mechanized squirt-welding equipment.

**Automatic Welding:** A typical fully automatic head is shown in Fig. 6-72. The head shown is equipped to feed a single electrode. The same head will feed two electrodes by changing to a contact nozzle as shown in Fig. 6-73 and changing the wire drive rolls. This modification is known as twin-electrode submerged-arc welding. The electrical control system maintains the preset current and voltage, strikes the arc, starts the travel and controls the travel speed. Either the head is stationary and the work moves, or the work is stationary and the head moves.

**Multiple Automatic Heads:** For higher welding speeds two or three heads may be combined to weld simultaneously on the same joint. This is known as multiple-electrode or tandem-arc welding. Each welding head is powered by a separate power source, as distinguished from twin-electrode welding, in which both electrodes are powered by the same power source.



**Fig. 6-71.** Gun mounted on a small tractor, which relieves the operator of holding and guiding the gun.

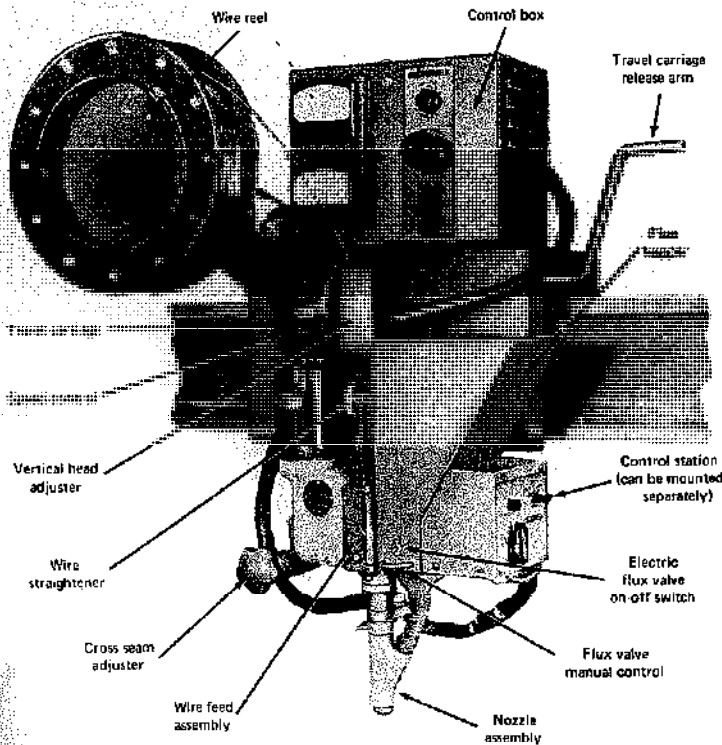


Fig. 6-72. Typical submerged-arc welding head for fully automatic welding.

**Control Systems:** The success of any automatic submerged-arc operation depends on the control of the arc length, or the distance from the tip of the electrode to the work. This can be accomplished by varying the wire-feed speed or the rate of melt-off to compensate for irregularities that increase or decrease the distance of the welding head from the work.

Changes in arc length that result from such movement result in arc voltage changes. With a variable-voltage control system, a change in arc voltage is detected and the wire-feed speed is automatically increased or decreased to shorten or lengthen the arc and restore it to the desired length. With such a system, by varying the wire feed the arc voltage is kept within a narrow range. The welding current may be AC or DC, but the power source must be of the variable-voltage type (see Section 4.2).

The arc length can also be maintained by current control. This method depends on high short-circuit current characteristics to keep the arc length constant. If the arc length becomes shorter than desired, the current increases to melt the electrode more rapidly and lengthen the arc. With this method — the constant-voltage system of arc-length control — the wire-feed speed is usually constant. (Modified constant-voltage control can be used in conjunction

with arc-voltage control for greater sensitivity.) The arc voltage is preset at the power source. Only DC is used with the constant-voltage system, and the power source must be the constant-voltage type.

The application determines the type of arc-length control that should be used for optimum results — and thus the type of submerged-arc process.

**Variable-Voltage Submerged-Arc:** The range of recommended applications include all fast-fill joints, such as multiple-pass welds and heavy single-pass welds where a high deposition rate is a primary requirement. Variable-voltage submerged-arc is also used on high-speed single-pass welds on 1/4-in. and thicker plate. It is not the best, but is, at least, useable on fast-follow applications on 14-gage and thicker steel. When the work consists mostly of 3/16-in. and smaller welds, constant-voltage DC processes are preferred for consistent weld quality at high speeds.

With the single electrode and twin electrode, variable-voltage submerged-arc:

1. Has flexibility for a wide range of applications, such as multiple-pass welds, single-pass welds on 14-gage and thicker material, and circumferential seams 2 in. and larger in diameter.

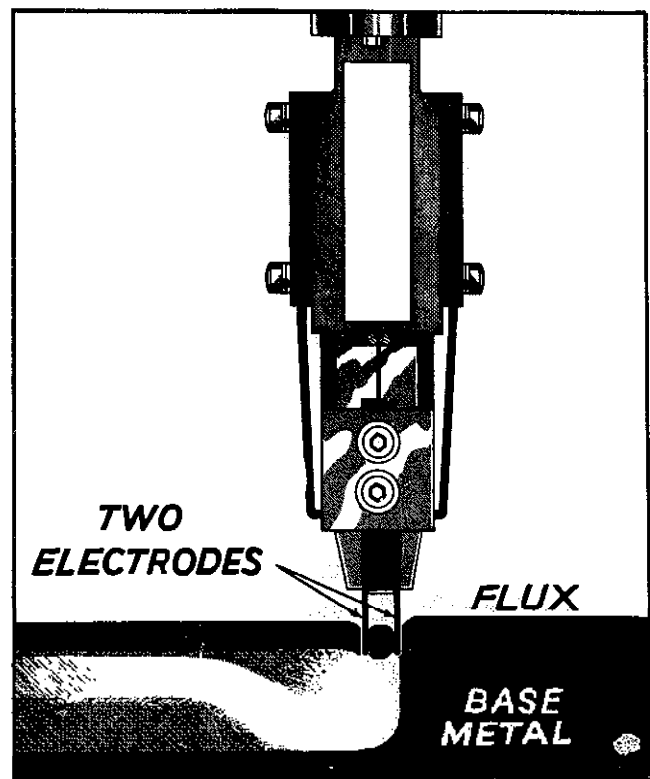


Fig. 6-73. Twin-electrode nozzle for converting a single-arc head for welding with two wires simultaneously.



2. Is excellent for deep-penetration (DC+) and conventional (DC-) fillets.
3. With long stickout, and operating DC negative, approaches the deposition rates of DC-AC tandem arc.
4. Is a good choice for hardsurfacing and welding alloys.
5. Is easy to set up and use and easy to convert to long stickout, or to convert the single-electrode head to twin-electrode.

Variable-voltage submerged-arc, however, is not as fast as constant-voltage in fast-follow sheet-metal welding.

Variable-voltage DC-AC tandem arc gives deposition rates and speeds 25 to 100% over single-wire DC on many applications, such as multiple-pass welds, single-pass butt welds on 10-gage and thicker material, single-pass horizontal fillets 1/4 to 1/2 in. in leg size, single-pass flat fillets 1/4 to 3/4 in. in leg size, and large-diameter roundabouts (40 in. minimum). It is the best choice for making butt welds up to 3/4 in. from one side into a flux backing. Electrode spacing and controls are easy to set for different applications. Long stickout techniques can be used for increased deposition rates.

Variable-voltage DC-AC-AC three-wire tandem arc gives still higher deposition rates and arc speeds, but on a more limited range of applications, such as multiple-pass welds, horizontal fillets 5/16 to 1/2 in. in leg size, flat fillets 1/2 to 3/4 in. in leg size, and single-pass butt welds. Three-wire tandem is widely used on the longitudinal seams in the fabrication of large-diameter pipe. Setting up is more complicated

with three arcs than with two arcs, but once the set-up is established, repeat welds can be run without resetting. The long weld crater produced with three arcs minimizes porosity.

**Constant-Voltage Submerged-Arc:** With constant-voltage DC, small-diameter electrodes are used. The welds are characterized by uniform penetration, which results in minimal burnthroughs, skips, and misses when laying small beads at fast travel speeds, providing the fitup is good. If the fitup is not good or butt joints not tight, backup strips are needed. Recommended applications are fast-follow single-pass welds on sheet metal and plate 5/16-in. and thinner. On thicker plate, constant-voltage submerged-arc tends to produce undercut and ropey beads.

Constant-voltage single-electrode submerged-arc permits high travel speeds on 1/8 to 1/4-in. fillets and lap welds, gapped butt welds in 18-gage sheet to 1/4-in. plate, tight butt welds in 18-gage to 3/16-in. material, and on edge and corner welds in sheet metal. Small roundabouts — down to 1/2-in. diameter — may be welded efficiently.

Constant-voltage twin-electrode submerged-arc enables the staggering of electrodes to make wide beads and control undercut. It is often used as a replacement for single or tandem-arc welding where burnthrough problems are encountered. It permits high speeds on 1/8 to 1/4-in. fillets, gapped butt welds on 14-gage to 1/4-in. material, tight butt welds on 14 to 10-gage sheet, and on gage-size joggled laps and edge and corner welds. The penetration, however, is not adequate for through lap welds.

## INTRODUCTION TO WELDING PROCEDURES

The ideal welding procedure is the one that will produce acceptable quality welds at the lowest over-all cost. So many factors influence the optimum welding conditions that it is impossible to write procedures for each set of conditions. In selecting a procedure, the best approach is to study the conditions of the application and then choose the procedure that most nearly accommodates them. The procedures given here are typical, and it may be necessary to make adjustments for a particular application to produce a satisfactory weld.

For some joints, different procedures are offered to suit the weld quality — code quality, commercial quality, and strength only — that may be required.

### Code-Quality Procedures

Code-quality procedures are intended to provide the highest level of quality and appearance. To accomplish this, conservative currents and travel speeds are recommended.

These procedures are aimed at producing welds that will meet the requirements of the commonly used codes: AWS Structural Code, AISC Buildings and Bridges, ASME Pressure Vessels, AASHTO Bridges, and others. Code-quality welds are intended to be defect-free to the extent that they will measure up to the nondestructive testing requirements normally imposed by these codes. This implies crack-free, pressure-tight welds, with little or no porosity or undercut.

The specific requirements of these codes are so numerous and varied that code-quality procedures may not satisfy every detail of a specific code. Procedure qualification tests are recommended to confirm the acceptability of chosen procedures.

All butt welds made to code-quality are full penetration; fillet welds are full size, as required by most codes. (The theoretical throat rather than the true throat is used as the basis of calculating strength.)

### Commercial-Quality Procedures

Commercial quality implies a level of quality and appearance that will meet the nominal require-

ments imposed on most of the welding done commercially. These welds will be pressure-tight and crack-free. They will have good appearance, and they will meet the normal strength requirements of the joint.

Procedures for commercial-quality welds are not as conservative as code quality procedures; speeds and currents are generally higher. Welds made according to these procedures may have minor defects that would be objectionable to the more demanding codes.

It is recommended that appropriate tests be performed to confirm the acceptability of the selected procedure for the application at hand prior to putting it into production.

### Strength Only Procedures

The purpose of strength-only procedures is to produce the highest speed welding at the lowest possible cost. To accomplish this, the weld appearance and quality need only be good enough to do the specific job for which it is intended. In this category, defects and imperfections may be acceptable provided that the welds will perform satisfactorily under service conditions.

This quality level may apply to seal beads, partial-penetration welds, some lap welds, high-speed edge welds, and to many low-stress welded connections which have no real need for better quality at higher cost. On fillet welds the joint must be welded from both sides.

Since this is a compromise quality level, realistic tests should be made to confirm the satisfactory performance of welds made according to these procedures. Welds of strength-only quality will be free of cracks but may not be pressure-tight.

### Weldability of Material

Weldability, (see Section 6.1) of a steel has a considerable effect on the welding procedure. For some joints, more than one procedure is offered because of the marginal weldability of the steel.

Good weldability indicates a steel with a composition that is within the preferred range (see Table

6-1) — one whose chemistry does not limit the welding speed.

Fair weldability indicates a steel with one or more elements outside the preferred range or one that contains one or more alloys. These steels require a lower welding speed or a mild preheat, or both to minimize defects such as porosity, cracking, and undercut.

The addition of alloys to steel that enhance the mechanical properties or hardenability usually have an adverse affect on weldability. In general, the weldability of low-alloy steels is never better than "fair." Procedures designed for fair weldability can, of course, be used on good weldability steels.

### Procedure Notes

In the following fillet weld procedures, the fillet size is always associated with a particular plate thickness. This relationship is given solely for the purpose of designing a welding procedure and does not imply that a certain size fillet is the only size applicable to that plate thickness. In some of the procedures, the fillet size shown is larger than necessary to meet code requirements for the plate thickness. In such instances, select the procedure for the proper weld size and quality. If the thickness of the plate being welded is appreciably greater than that specified in the procedure, a reduction in welding speed and current will probably be required.

Travel speed is given as a range for semiautomatic procedures; the electrode required and the total time are based on the middle of the range.

Unless otherwise indicated, both members of the joint are the same thickness.

Pounds-of-electrode data include all ordinary deposition losses. These value are in terms of pounds of electrode needed to be purchased.

Total time is the arc time only and does not allow for operating factor.

The procedures do not specify the grade of flux or electrode to be used. Manufacturers of flux and electrode will guarantee mechanical properties of flux-electrode combinations but the industry is not standardized on other characteristics such as fill, freeze, and follow. Consult the supplier for a recommendation on the best flux-electrode combination for the application.

Electrode position affects penetration, the placement, and shape of the weld bead. Maximum penetration is in the direction which the electrode points. Thus, for symmetrical weld beads in the flat position, the electrode should be vertical and centered on the joint. For welds in other positions

and for unsymmetrical beads, the electrode should be positioned so it controls the point of maximum penetration and the effect of the arc force on the bead shape.

The flux pile should be only deep enough to cover the arc. Excessive flux depth can cause poor bead shape. Insufficient flux causes porosity.

Stickout (SO) is the distance from the tip of the electrode to the contact jaw or contact tip. Increasing the stickout, especially if the current density is high, increases the melt-off rate at the expense of both penetration and accuracy in weld placement. Except where used to purposely increase deposition rate, the stickout should be only enough to clear the flux pile. In general, this is about 3/8-in. for a 5/64-in. electrode, and up to 1-1/2-in. for a 7/32-in. electrode.

Seams should be tight but if gaps do occur, seal them with a fast, stick electrode seal bead. Use a 5/32-in. E6010 or E7018 electrode, clean the slag thoroughly, and place the seal beads as follows:

On groove joints, place the seal bead on the first-pass side.

On square butt joints, place the seal bead on the first-pass side if the plate is less than 1/2-in thick. On 1/2-in. and thicker plate, seal on the second-pass side.

Seal beads can also be made with submerged-arc semiautomatic equipment using 200-250 amp, 25-30 v, 45-50 ipm, with electrode negative. Apply the seal beads in the same side as described above for stick electrode.

Where stick electrode welds are used in combination with submerged-arc welds, the procedures data does not specify the electrode or indicate time required for the stick electrode weld. Select an appropriate welding procedure from the manual shielded metal-arc welding section.

After a satisfactory welding procedure has been established, all the data should be recorded and filed for future reference. This information is invaluable if the same job or a similar job occurs at a later date. A suggested data sheet is shown opposite.

The presented procedures are offered as a starting point and may require changes to meet the requirements of specific applications. Because the many variables in design, fabrication, and erection or assembly affect the results obtained in applying this type of information, the serviceability of the product or structure is the responsibility of the builder.



TABLE 6-24. Submerged-Arc Trouble Shooting Guide

Joint	Full Automatic Semiautomatic, Single Electrode, Twin Electrodes	
	Problem	Corrective Action – In Order of Importance
Any	Low Penetration	<ol style="list-style-type: none"> <li>1. Increase welding current.</li> <li>2. Use electrode positive.</li> <li>3. Lower voltage on fillets or V-joints.</li> <li>4. Use short stickout.</li> <li>5. Decrease arc speed.</li> <li>6. Increase included angle on V-joints.</li> </ol>
Fillet	Cracking	<ol style="list-style-type: none"> <li>1. Use EM12K electrode.</li> <li>2. Use electrode negative.</li> <li>3. Lower voltage.</li> <li>4. Decrease welding speed.</li> <li>5. Preheat joint.</li> <li>6. Increase electrode diameter and lower voltage.</li> </ol>
Root Pass in Groove	Cracking	<ol style="list-style-type: none"> <li>1. Lower current and voltage.</li> <li>2. Use electrode negative.</li> <li>3. Increase root opening or included angle.</li> <li>4. Preheat joint.</li> <li>5. Make sure back gouging is not narrow and deep.</li> </ol>
Multiple Pass Weld	Transverse Cracking	<ol style="list-style-type: none"> <li>1. Increase interpass temperature.</li> <li>2. Decrease welding speed.</li> <li>3. Decrease voltage.</li> <li>4. Decrease current and voltage.</li> </ol>
Square Butt Weld	Cracking	<ol style="list-style-type: none"> <li>1. Check fixture for plate movement.</li> <li>2. Decrease welding speed.</li> <li>3. Check for copper pick-up from backup.</li> </ol>
Fillet Lap or Sq. Butt	Pock Marking or Slag Sticking	<ol style="list-style-type: none"> <li>1. Use EM12K electrode.</li> <li>2. Increase voltage.</li> <li>3. Decrease current.</li> <li>4. Decrease speed.</li> <li>5. Position fillet, if possible.</li> <li>6. Heavier plate than normal will cause pocking.</li> <li>7. Clean all mill scale, rust and oil off plate.</li> </ol>
Spud or Deep Groove	Slag Sticking	<ol style="list-style-type: none"> <li>1. Decrease voltage.</li> <li>2. Decrease current and voltage.</li> </ol>
Spud	Not Overlapping	<ol style="list-style-type: none"> <li>1. Decrease voltage.</li> <li>2. Decrease current and voltage.</li> </ol>
Any	Undercutting	<ol style="list-style-type: none"> <li>1. Use electrode negative.</li> <li>2. Decrease voltage.</li> <li>3. Decrease current.</li> <li>4. Increase electrode diameter and lower voltage.</li> <li>5. Decrease speed.</li> </ol>
Any	Rust Porosity	<ol style="list-style-type: none"> <li>1. Use EM12K or EM13K electrode.</li> <li>2. Increase voltage.</li> <li>3. Lower current.</li> <li>4. Use electrode positive.</li> <li>5. Use torches in front of arc.</li> <li>6. Clean joint completely (butting edges also).</li> <li>7. Decrease speed.</li> </ol>
Any	Organic Porosity	<ol style="list-style-type: none"> <li>1. Use EL12 electrode.</li> <li>2. Use electrode positive.</li> <li>3. Decrease speed.</li> <li>4. Degrease joint and dry completely.</li> </ol>
Any	Arc Blow Porosity	<ol style="list-style-type: none"> <li>1. Use EL12 electrode.</li> <li>2. Use electrode positive.</li> <li>3. Lower voltage.</li> <li>4. Lower current and voltage.</li> <li>5. Increase electrode diameter and lower voltage.</li> </ol>
Any	2nd Pass Side Porosity	<ol style="list-style-type: none"> <li>1. Usually caused by improper tie-in.</li> <li>2. Increase welding current to tie-in.</li> <li>3. Decrease welding speed to tie-in.</li> <li>4. If 100% joint not required, then decrease penetration.</li> </ol>
Any	Metal Spots	<ol style="list-style-type: none"> <li>1. Lower voltage.</li> <li>2. Use electrode negative.</li> <li>3. Decrease current and voltage.</li> <li>4. Increase arc speed.</li> </ol>
Out of Position	Metal Spillage	<ol style="list-style-type: none"> <li>1. On roundabouts, move further off center opposite to direction of travel.</li> <li>2. Lower voltage.</li> <li>3. Lower current and voltage.</li> <li>4. Increase speed on horizontal fillets.</li> <li>5. On roundabouts, increase speed – lower current and voltage.</li> </ol>
Any	Bead Shape	<ol style="list-style-type: none"> <li>1. Increase voltage to get wider, flatter bead.</li> <li>2. Decrease current to get flatter bead.</li> <li>3. Decrease speed to get flatter bead on fillets.</li> <li>4. Use electrode diameter that is proper for welding current.</li> <li>5. Use electrode positive on square butt welds and fillets smaller than 1/4".</li> </ol>

TABLE 6-25. Submerged-Arc Trouble Shooting Guide

Joint	Full Automatic Multiple Electrodes		
	Problem	Corrective Action — In Order of Importance	
Any	Low Penetration	1. Increase lead arc current. 2. Decrease lead arc voltage. 3. Decrease speed.	4. Increase included angle or root opening. 5. Use DC(+) — AC setup.
Any	Undercutting	1. Decrease electrode spacing. 2. Lower trail arc voltage. 3. Raise lead arc voltage.	4. Decrease arc speed. 5. Possibly raise trail arc current. 6. Use proper electrode size for current.
Any	Rust Porosity	Best Combination DC(+) AC 1. Use EM12K or EM13K 2. Increase voltage. 3. Lower current. 4. Use electrode positive.	5. Use torches in front of arc. 6. Clean joint completely (butting edges also). 7. Decrease speed.
Any	Organic Porosity	Best Combination DC(+) AC 1. Use EL12 electrode. 2. Use electrode positive.	3. Decrease speed. 4. Degrease joint and dry completely.
Any	2nd Pass Side Porosity	Best Combination DC(+) AC 1. Usually caused by improper tie-in. 2. Increase welding current to tie-in.	3. Decrease welding speed to tie-in. 4. If 100% joint not required, then decrease penetration.
Any	Metal Spots	Best Combination DC(-) AC 1. Lower voltage. 2. Use electrode negative.	3. Decrease current and voltage. 4. Increase arc speed.
Any	Arc Stability	1. Unstable welding is commonly thought to be poor AC stability. Usually the problem is too much forward blow by the trail arc causing the puddle to get under the lead arc. This is best corrected by increasing the electrode spacing. This is especially true in groove welds. 2. If the problem is really AC stability, then: a. Use a smaller AC electrode. b. Increase the arc voltage. c. Put electrodes closer together.	
Any	Poor Bead Shape	1. Increase lead arc voltage to flatten and widen bead. 2. Decrease trail current to flatten bead.	3. Decrease electrode spacing to flatten and widen bead.
Any	Wavy Edges	Best Combination DC(+) AC 1. Increase diameter of lead arc electrode and decrease diameter of trail arc electrode. 2. Lower trail arc current. 3. Lower lead arc voltage.	4. Increase lead arc current. 5. Increase welding speed.
Filler	Cracking	Best Combination DC(-) AC 1. Use EM12K 2. Lower lead arc voltage. 3. Lower trail arc current and voltage.	4. Decrease welding speed. 5. Preheat joint. 6. Increase electrode diameter and lower voltage.
Root Pass in Groove	Cracking	1. Lower current and voltage on both arcs. 2. Use electrode negative on lead arc. 3. Increase root opening or included angle.	4. Preheat joint. 5. Make sure back gouging is not narrow and deep.
Multiple Pass Weld	Transverse Cracking	1. Decrease welding speed. 2. Lower voltage on both arcs.	3. Lower trail arc current and voltage. 4. Increase interpass temperature.
Square Butt Weld	Cracking	1. Raise lead arc voltage. 2. Increase trail arc current.	4. Decrease electrode spacing. 5. Check fixture for plate movement.
Fillet, Lap or Square Butt	Pock Marking or Slag Sticking	1. Use EM12K electrode. 2. Lower trail arc current 3. Raise lead arc voltage. 4. Raise trail arc voltage.	5. Decrease welding speed. 6. Clean all mill scale, rust and oil off plate. 7. Position fillets, if possible.
Deep Groove	Slag Sticking	1. Lower lead arc and/or trail arc voltage.	2. Decrease current and voltage.

**SUBMERGED-ARC (FULL AUTOMATIC) SINGLE ELECTRODE**

Welding Position: Flat  
 Weld Quality Level: Commercial  
 Steel Weldability: Good  
 Welded from: One side

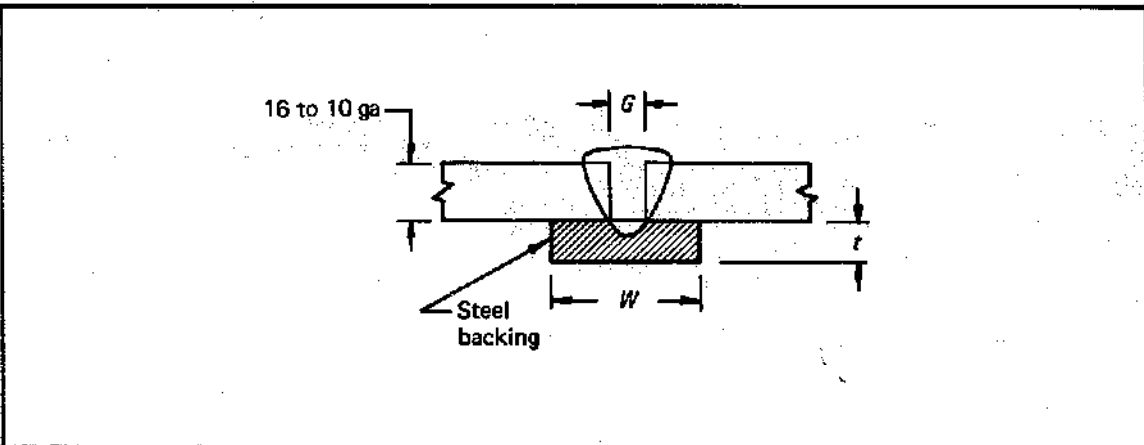


Plate Thickness (in.)	0.060 (16 ga)	0.075 (14 ga)	0.106 (12 ga)	0.135 (10 ga)
Pass	1	1	1	1
Electrode Size (in.)	1/8	1/8	1/8	1/8
Current (amp) DC(+)	450	500	550	650
Volts	25	27	27	28
Arc Speed (in./min)	110	80	65	55
Electrode Req'd (lb/ft)	0.017	0.027	0.038	0.057
Flux Req'd (lb/ft)	0.015 - 0.021	0.023 - 0.031	0.032 - 0.044	0.049 - 0.065
Total Time (hr/ft of weld)	0.00182	0.00250	0.00308	0.00364
G (in.)	1/32	1/32	1/16	1/16
t, min	14 ga	12 ga	12 ga	1/8"
W, min (in.)	3/8	3/8	1/2	5/8

**SUBMERGED-ARC (FULL AUTOMATIC) SINGLE ELECTRODE**

Welding Position: Flat  
 Weld Quality Level: Commercial  
 Steel Weldability: Good  
 Welded from: One side

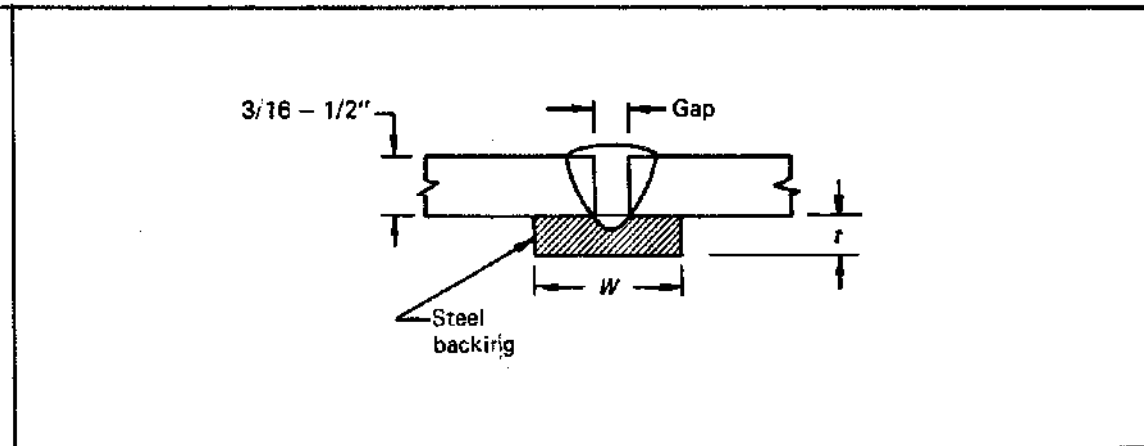


Plate Thickness (in.)	3/16	1/4	3/8	1/2
Pass	1	1	1	1
Electrode Size	3/16	3/16	3/16	3/16
Current (amp) DC(+)	800	850	900	1000
Volts	32	33	34	35
Arc Speed (in./min)	50	33	24	17
Electrode Req'd (lb/ft)	0.087	0.14	0.23	0.35
Flux Req'd (lb/ft)	0.076 - 0.094	0.11 - 0.15	0.18 - 0.24	0.27 - 0.37
Total Time (hr/ft of weld)	0.00400	0.00606	0.00833	0.0118
Backing, minimum size (in.)	3/16 x 3/4	1/4 x 1	5/16 x 1	3/8 x 1
Gap (in.)	3/32	1/8	5/32	3/16
w, min (in.)	3/4	1	1	1
t, min (in.)	3/16	1/4	5/16	3/8

See introductory notes.

**SUBMERGED-ARC (FULL AUTOMATIC) SINGLE ELECTRODE**

Welding Position: Flat  
 Weld Quality Level: Code  
 Steel Weldability: Good or fair  
 Welded from: One side

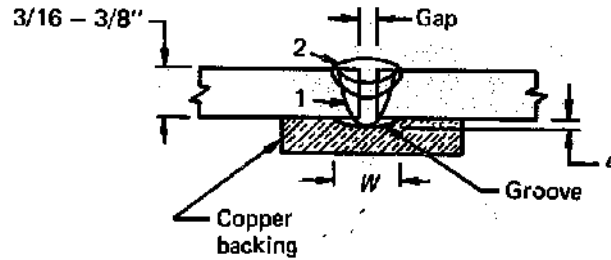


Plate Thickness (in.)	3/16		1/4		5/16*		3/8*	
Pass	1	2	1	2	1	2	1	2
Electrode Size	5/32	5/32	5/32	5/32	5/32	5/32	5/32	5/32
Current (amp) DC(+)	550	500	650	600	650	600	750	700
Volts	25	30	30	35	30	35	30	35
Arc Speed (in./min)	40	40	36	36	30	30	26	26
Electrode Req'd (lb/ft)	0.12		0.17		0.20		0.28	
Flux Req'd (lb/ft)	0.091 - 0.12		0.13 - 0.18		0.14 - 0.20		0.20 - 0.28	
Total Time (hr/ft of weld)	0.0100		0.0111		0.0133		0.0154	
Gap (in.)	1/16 - 3/32		1/16 - 3/32		3/32 - 1/8		1/8 - 5/32	
Groove in backing bar Width, W (in.)	11/16		11/16		11/16		11/16	
Depth, d (in.)	3/32		3/32		1/8		5/32	

\* Fill groove in backing bar with flux before welding.  
 See introductory notes.

**SUBMERGED-ARC (FULL AUTOMATIC) SINGLE ELECTRODE**

Welding Position: Flat  
 Weld Quality Level: Commercial  
 Steel Weldability: Good  
 Welded from: One side

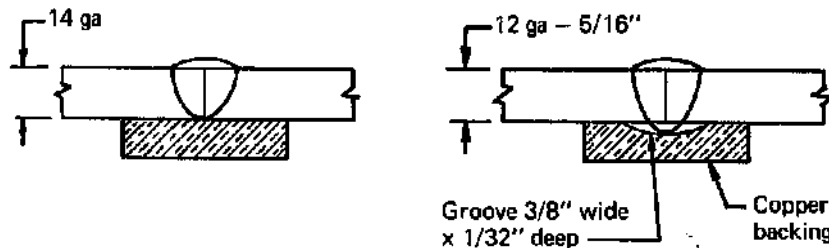


Plate Thickness (in.)	0.075 (14 ga)	0.105 (12 ga)	0.135 (10 ga)	3/16	1/4	5/16
Pass	1	1	1	1	1	1
Electrode Size	1/8	5/32	5/32	5/32	3/16 or 7/32	3/16 or 7/32
Current (amp) DC(+)	400	550	650	725	800	950
Volts	24	30	31	31	34	36
Arc Speed (in./min)	100	110	95	75	45	35
Electrode Req'd (lb/ft)	0.016	0.022	0.033	0.049	0.091	0.15
Flux Req'd (lb/ft)	0.015 - 0.020	0.021 - 0.028	0.029 - 0.040	0.044 - 0.059	0.082 - 0.11	0.13 - 0.16
Total Time (hr/ft of weld)	0.00200	0.00182	0.00211	0.00267	0.00444	0.00571



**SUBMERGED-ARC (FULL AUTOMATIC) SINGLE ELECTRODE**

Weld Position: Flat Weld Quality Level: Strength only Steel Weldability: Good Welded from: One side			
Plate Thickness (in.)	0.075 (14 ga)	0.105 (12 ga)	0.135 (10 ga)
Pass	1	1	1
Electrode Size	1/8	1/8	1/8
Current (amp) DC(+)	475	625	675
Volts	26	28	28
Arc Speed (in./min)	145	135	120
Electrode Req'd (lb/ft)	0.014	0.023	0.029
Flux Req'd (lb/ft)	0.013 - 0.018	0.021 - 0.028	0.026 - 0.035
Total Time (hr/ft of weld)	0.00138	0.00148	0.00167

**SUBMERGED-ARC (FULL AUTOMATIC) SINGLE ELECTRODE**

Welding Position: Flat Weld Quality Level: Commercial Steel Weldability: Good Welded from: Two sides										
Plate Thickness (in.)	1/4		3/8		1/2		5/8		3/4	
Pass	1*	2	1	2	1	2	1	2	1	2
Electrode Size	3/16		3/16		3/16		3/16		3/16	
Current (amp) DC(+)	600	750	650	800	750	850	750	850	800	900
Volts	31	33	33	35	35	36	35	36	36	37
Arc Speed (in./min)	70	70	48	48	35	35	24	24	22	22
Electrode Req'd (lb/ft)	0.088		0.15		0.23		0.37		0.42	
Flux Req'd (lb/ft)	0.092 - 0.11		0.13 - 0.17		0.20 - 0.26		0.32 - 0.43		0.36 - 0.48	
Total Time (hr/ft of weld)	0.00571		0.00833		0.0114		0.0167		0.0182	

\* Must be down flat on a platen.

See introductory notes.

**SUBMERGED-ARC (FULL AUTOMATIC) SINGLE ELECTRODE**

Weld Position: Flat Weld Quality Level: Code Steel Weldability: Good Welded from: Two sides								
	Plate Thickness (in.)		Plate Thickness (in.)					
Pass	1*	2	1	2	1	2	1	2
Electrode Size	5/32	5/32	3/16	3/16	3/16	3/16	3/16	3/16
Current (amp) DC(+)	475	575	700	950	700	950	850	1000
Volts	29	32	35	36	35	36	35	36
Arc Speed (in./min)	48	48	27	27	30	16	13.5	17
Electrode Req'd (lb/ft)	0.11		0.34		0.46		0.74	
Flux Req'd (lb/ft)	0.11 - 0.16		0.22 - 0.28		0.36 - 0.48		0.64 - 0.86	
Total Time (hr/ft of weld)	0.00833		0.0148		0.0192		0.0266	
Depth, A (in.)					1/8		3/8	
Depth, B (in.)					3/8		3/8	

\* Must be down flat on a platen.  
 See introductory notes.

**SUBMERGED-ARC (FULL AUTOMATIC) SINGLE ELECTRODE**

Weld Position: Flat Weld Quality Level: Code Steel Weldability: Good Welded from: Two sides						
	Plate Thickness (in.)			Plate Thickness (in.)		
Pass	1	2	3	1	2	3
Electrode Size	3/16	3/16	3/16	3/16	3/16	3/16
Current (amp) DC(+)	850	1000	850	1000	1000	950
Volts	35	36	35	36	36	34
Arc Speed (in./min)	13.5	12	9	9	10	7
Electrode Req'd (lb/ft)	1.44			2.26		
Flux Req'd (lb/ft)	0.95 - 1.25			1.45 - 2.00		
Total Time (hr/ft of weld)	0.0537			0.0708		
Depth, A (in.)	3/8			1/2		
Depth, B (in.)	5/8			5/8		
Angle, C (deg)	60			70		
Angle, D (deg)	70			90		

See introductory notes.

**SUBMERGED-ARC (FULL AUTOMATIC) SINGLE ELECTRODE**

Welding Position: Flat Weld Quality Level: Code Steel Weldability: Good Welded from: Two sides*									
	Back gouge after welding first side								
Plate Thickness (in.)	3/4			1			1-1/4		
Pass	1	2-5	6	1	2-8	9	1	2-11	12
Electrode Size	3/16			3/16			3/16		
Current (amp) DC(+)	600	800	900	600	800	900	600	800	900
Volts	27	30	36	27	30	36	28	31	36
Arc Speed (in./min)	20	21	22	20	21.5	22	20	21.5	22
Electrode Req'd (lb/ft)	1.17			1.75			2.40		
Flux Req'd (lb/ft)	0.85 - 1.20			1.25 - 1.80			1.75 - 2.45		
Total Time (hr/ft of weld)	0.0572			0.0842			0.112		

\* Back bead can be stick, semiautomatic, or automatic.

See introductory notes.

Intended primarily for large girth seams.

**SUBMERGED-ARC (FULL AUTOMATIC) SINGLE ELECTRODE**

Welding Position: Flat Weld Quality Level: Code Steel Weldability: Good Welded from: Two sides*									
	Back gouge after welding first side								
Plate Thickness (in.)	1-1/2			2			2-1/2		
Pass	1	2-13	14	1	2-21	22	1	2-27	28
Electrode Size	3/16	3/16	3/16	3/16	3/16	3/16	3/16	3/16	3/16
Current (amp) DC(+)	600	800	900	600	800	900	600	800	900
Volts	28	31	36	28	31	36	29	32	36
Arc Speed (in./min)	20	20	22	20	23	22	20	23	22
Electrode Req'd (lb/ft)	3.08			4.64			6.32		
Flux Req'd (lb/ft)	2.25 - 3.15			3.40 - 4.75			4.60 - 6.50		
Total Time (hr/ft of weld)	0.139			0.193			0.245		

\* Back bead can be stick, semiautomatic, or automatic.

See introductory notes.

Intended primarily for large girth seams

**SUBMERGED-ARC (FULL AUTOMATIC) SINGLE ELECTRODE**

Welding Position: Flat  
 Weld Quality Level: Code  
 Steel Weldability: Good, fair, or poor  
 Welded from: Two sides

Plate Thickness (in.)	5/8	1	1-1/2
Pass *	3 - 7	3 - 14	3 - 28
Electrode Size (in.)	5/32	5/32	5/32
Current (amp) DC(+)	550	550	550
Volts	28	28	28
Arc Speed (in./min)	16	16	16
Electrode Req'd (lb/ft) †	0.80	1.90	4.13
Flux Req'd (lb/ft)	0.71 - 0.90	1.45 - 2.05	2.70 - 4.15
Total Time (hr/ft of weld) †	0.0625	0.150	0.325

\* Passes 1 and 2 are made with stick electrode, preferably with 5/32 in. E7018 electrode (160 amp AC on pass 1, 225 amp AC on pass 2). The back should then be gouged to sound metal and finished as given in the procedure.

† Stick electrode, stick welding time, and gouging time are not included in these figures.

These procedures are conservative and are designed for code quality welding of steels which have tensile strengths of 70,000 psi and limited weldability such as ASTM A515-70.

**SUBMERGED-ARC (FULL AUTOMATIC) SINGLE ELECTRODE**

Welding Position: Flat  
 Weld Quality Level: Code  
 Steel Weldability: Good  
 Welded from: Two sides

Plate Thickness (in.)	3/4	7/8	1	1-1/8
Pass	1	1	1	1
Electrode Size	7/32	7/32	7/32	7/32
Current (amp) DC(+)	900	1000	1050	1100
Volts	35	35	37	37
Arc Speed (in./min)	18	12	9	7.5
Electrode Req'd (lb/ft) *	0.29	0.51	0.73	0.95
Flux Req'd (lb/ft)	0.22 - 0.31	0.43 - 0.60	0.59 - 0.83	0.82 - 1.2
Total Time (hr/ft of weld) *	0.0111	0.0167	0.0222	0.0267

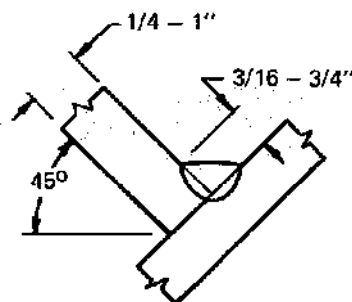
\* Does not include stick electrode weld.

See introductory notes.

Make stick electrode weld first. For plate preparation and electrode selection, see procedures for shielded metal-arc welding.

## SUBMERGED-ARC (FULL AUTOMATIC) SINGLE ELECTRODE

Welding Position: Flat  
Weld Quality Level: Code  
Steel Weldability: Good or fair



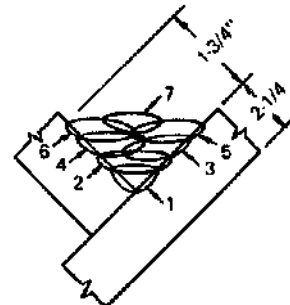
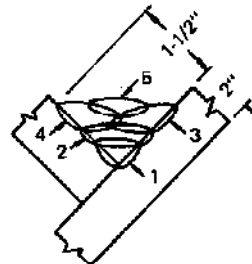
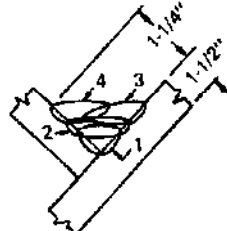
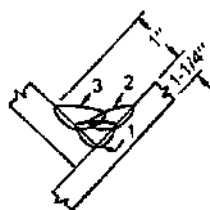
Weld Size (in.)	3/16	1/4	5/16	3/8	1/2	5/8	3/4
Plate Thickness (in.)	1/4	5/16	3/8	1/2	5/8	3/4	1
Pass	1	1	1	1	1	1	1
Electrode Size	1/8	5/32	3/16	3/16	3/16	3/16	3/16
Current (amp) DC(—)	525	625	725	800	875	925	975
Volts	31	32	34	36	38	39	40
Arc Speed (in./min)	55	39	27	22	14	10	7.5
Electrode Req'd (lb/ft)	0.066	0.12	0.18	0.26	0.47	0.73	1.05
Flux Req'd (lb/ft)	0.03 - 0.05	0.05 - 0.08	0.09 - 0.12	0.12 - 0.18	0.22 - 0.30	0.35 - 0.50	0.55 - 0.80
Total Time (hr/ft of weld)	0.00364	0.00513	0.00741	0.00909	0.0143	0.0200	0.0267

For fillets where conventional leg size is required.

See introductory notes.

## SUBMERGED-ARC (FULL AUTOMATIC) SINGLE ELECTRODE

Welding Position: Flat  
Weld Quality Level: Code  
Steel Weldability: Good

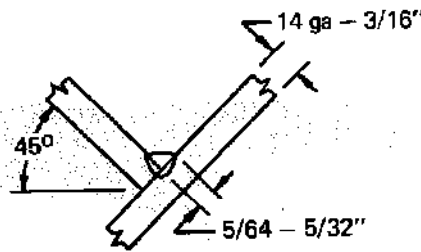


Weld Size (in.)	1		1-1/4			1-1/2		1-3/4		
Plate Thickness (in.)	1-1/4		1-1/2			2		2-1/4		
Pass	1	2-3	1	2	3-4	1-2	3-5	1-2	3-4	5-7
Electrode Size	3/16		3/16			3/16		3/16		
Current (amp) DC(—)	1000	900	1000	1000	900	1000	900	1000	1000	900
Volts	38	38	38	38	38	39	38	38	38	38
Arc Speed (in./min)	12	11	10	10	10	9	9	9.5	9.5	9.0
Electrode Req'd (lb/ft)	1.83		2.93			4.20		5.76		
Flux Req'd (lb/ft)	0.91 - 1.25		1.45 - 1.95			2.00 - 2.70		2.80 - 3.75		
Total Time (hr/ft of weld)	0.0531		0.0800			0.111		0.151		

See introductory notes.

**SUBMERGED-ARC (FULL AUTOMATIC) SINGLE ELECTRODE**

Welding Position: Flat  
 Weld Quality Level: Commercial  
 Steel Weldability: Good



Weld Size (in.)	5/64	3/32(-)	1/8(-)	5/32(-)
Plate Thickness (in.)	0.075 (14ga)	0.105 (12 ga)	0.135 (10 ga)	3/16
Pass	1	1	1	1
Electrode Size	3/32	3/32	1/8	1/8
Current (amp) DC(+)	375	400	450	500
Volts	28	29	27	28
Arc Speed (in./min)	125	110	80	65
Electrode Req'd (lb/ft)	0.013	0.017	0.025	0.040
Flux Req'd (lb/ft)	0.0089 - 0.012	0.012 - 0.016	0.016 - 0.022	0.026 - 0.035
Total Time (hr/ft of weld)	0.00160	0.00182	0.00250	0.00308

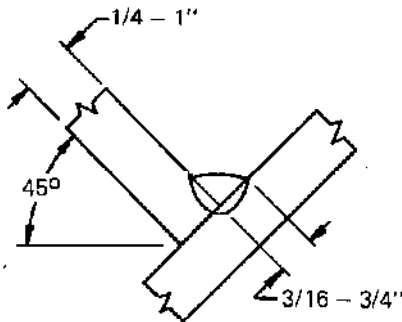
A constant-voltage power source is recommended.

Tight copper backup bars are required behind both plates on 14 and 12 ga.

See introductory notes.

**SUBMERGED-ARC (FULL AUTOMATIC) SINGLE ELECTRODE**

Welding Position: Flat  
 Weld Quality Level: Commercial  
 Steel Weldability: Good



Weld Size (in.)	3/16	1/4	5/16	3/8	1/2	5/8	3/4
Plate Thickness (in.)	1/4	5/16	3/8	1/2	5/8	3/4	1
Pass	1	1	1	1	1	1	1
Electrode Size	1/8	5/32	3/16	3/16	3/16	3/16	3/16
Current (amp) DC(-)	600	725	850	950	1000	1050	1050
Volts	33	34	36	38	39	40	41
Arc Speed (in./min)	65	48	34	28	17	12	8.5
Electrode Req'd (lb/ft)	0.066	0.12	0.18	0.26	0.47	0.73	1.05
Flux Req'd (lb/ft)	0.035 - 0.047	0.055 - 0.074	0.085 - 0.12	0.13 - 0.17	0.22 - 0.30	0.38 - 0.46	0.48 - 0.66
Total Time (hr/ft of weld)	0.00308	0.00417	0.00588	0.00714	0.0118	0.0167	0.0235

See introductory notes.

## SUBMERGED-ARC (FULL AUTOMATIC) SINGLE ELECTRODE

Welding Position: Flat Weld Quality Level: Strength only Steel Weldability: Good								
	Weld Size (in.)	1/8	3/16	1/4	5/16	3/8	1/2	5/8
Plate Thickness (in.)	5/16	3/8	1/2	5/8	3/4	7/8	1	1-1/4
Pass	1	1	1	1	1	1	1	1
Electrode Size	1/8	5/32	3/16	3/16	3/16	3/16	3/16	3/16
Current (amp) DC(+)	425	575	675	775	850	950	1000	1000
Volts	26	28	31	34	35	36	37	38
Arc Speed (in./min)	60	42	30	23	18	12	8.5	6.5
Electrode Req'd (lb/ft)	0.028	0.063	0.11	0.17	0.25	0.45	0.71	1.01
Flux Req'd (lb/ft)	0.020 - 0.026	0.041 - 0.055	0.065 - 0.087	0.10 - 0.14	0.15 - 0.20	0.26 - 0.35	0.40 - 0.54	0.57 - 0.78
Total Time (hr/ft of weld)	0.00333	0.00476	0.00667	0.00870	0.0111	0.0167	0.0235	0.0308

See introductory notes.

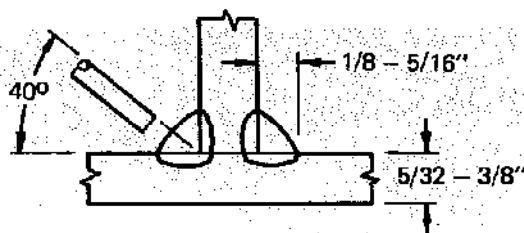
## SUBMERGED-ARC (FULL AUTOMATIC) SINGLE ELECTRODE

Welding Position: Horizontal Weld Quality Level: Code Steel Weldability: Good or fair					
	Weld Size (in.)	1/8	5/32	3/16	1/4
Plate Thickness (in.)	5/32	3/16	1/4	5/16	3/8
Pass	1	1	1	1	1
Electrode Size	1/8	1/8	1/8	1/8	5/32
Current (amp) DC	400(+)	475(+)	550(+)	450(-)	500(-)
Volts	24	26	28	29	30
Arc Speed (in./min)	54	44	36	25	18
Electrode Req'd (lb/ft)	0.029	0.046	0.066	0.12	0.18
Flux Req'd (lb/ft)	0.024 - 0.032	0.034 - 0.048	0.053 - 0.069	0.070 - 0.095	0.11 - 0.15
Total Time (hr/ft of weld)	0.00370	0.00455	0.00555	0.00800	0.0111

See introductory notes.

**SUBMERGED-ARC (FULL AUTOMATIC) SINGLE ELECTRODE**

Welding Position: Horizontal  
 Weld Quality Level: Commercial  
 Steel Weldability: Good

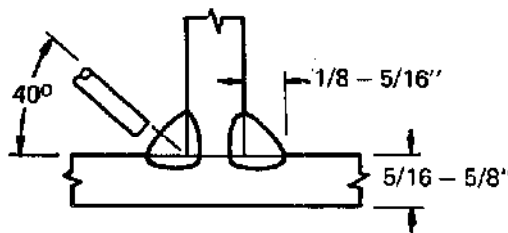


Weld Size (in.)	1/8	5/32	3/16	1/4	5/16
Plate Thickness (in.)	5/32	3/16	1/4	5/16	3/8
Pass	1	1	1	1	1
Electrode Size	1/8	1/8	5/32	5/32	5/32
Current (amp) DC	450(+)	525(+)	600(+)	525(-)	575(-)
Volts	25	27	29	31	34
Arc Speed (in./min)	62	54	42	30	22
Electrode Req'd (lb/ft)	0.029	0.046	0.066	0.12	0.18
Flux Req'd (lb/ft)	0.024 - 0.032	0.034 - 0.048	0.053 - 0.069	0.070 - 0.095	0.11 - 0.15
Total Time (hr/ft of weld)	0.00323	0.00370	0.00476	0.00667	0.00909

See Introductory notes.

**SUBMERGED-ARC (FULL AUTOMATIC) SINGLE ELECTRODE**

Welding Position: Horizontal  
 Weld Quality Level: Strength only  
 Steel Weldability: Good



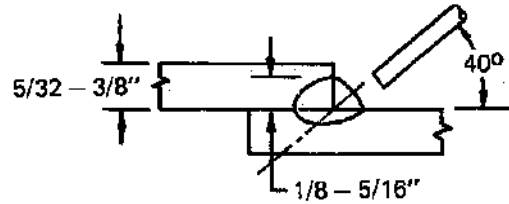
Weld Size (in.)	1/8	5/32	3/16	1/4	5/16
Plate Thickness (in.)	5/16	3/8	7/16	1/2	5/8
Pass	1	1	1	1	1
Electrode Size	1/8	1/8	1/8	5/32	5/32
Current (amp) DC(+)	425	420	450	525	575
Volts	23	25	27	28	30
Arc Speed (in./min)	50	42	35	24	16
Electrode Req'd (lb/ft)	0.028	0.044	0.063	0.11	0.17
Flux Req'd (lb/ft)	0.020 - 0.027	0.029 - 0.040	0.043 - 0.059	0.068 - 0.095	0.10 - 0.15
Total Time (hr/ft of weld)	0.00400	0.00475	0.00571	0.00833	0.0125

See introductory notes.



**SUBMERGED-ARC (FULL AUTOMATIC) SINGLE ELECTRODE**

Welding Position: Horizontal  
 Weld Quality Level: Commercial  
 Steel Weldability: Good



Weld Size (in.)	1/8	3/16	1/4	5/16
Plate Thickness (in.)	5/32	1/4	5/16	3/8
Pass	1	1	1	1
Electrode Size	1/8	1/8	5/32	5/32
Current (amp) DC	450(+)	450(-)	525(-)	575(-)
Volts	25	27	31	34
Arc Speed (in./min)	62	42	30	22
Electrode Req'd (lb/ft)	0.032	0.070	0.12	0.19
Flux Req'd (lb/ft)	0.024 - 0.032	0.042 - 0.056	0.070 - 0.095	0.11 - 0.15
Total Time (hr/ft of weld)	0.00323	0.00476	0.00667	0.00909

See introductory notes.

**SUBMERGED-ARC (FULL AUTOMATIC) SINGLE ELECTRODE**

Welding Position: Flat  
 Weld Quality Level: Commercial  
 Steel Weldability: Good

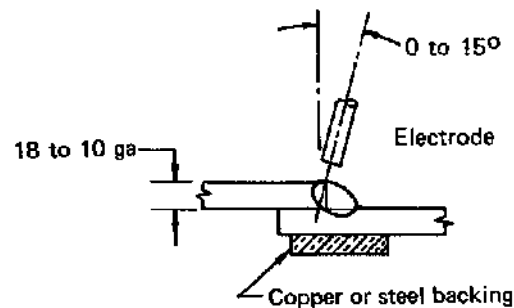


Plate Thickness (in.)	0.048 (18 ga)	0.060 (16 ga)	0.075 (14 ga)	0.105 (12 ga)	0.135 (10 ga)
Pass	1	1	1	1	1
Electrode Size	1/8	1/8	1/8	1/8	1/8
Current (amp) DC(+)	380	425	475	525	575
Volts	23	26	28	29	30
Arc Speed (in./min)	120	120	120	90	70
Electrode Req'd (lb/ft)	0.012	0.014	0.017	0.027	0.040
Flux Req'd (lb/ft)	0.010 - 0.012	0.011 - 0.014	0.013 - 0.017	0.020 - 0.027	0.029 - 0.040
Total Time (hr/ft of weld)	0.00167	0.00167	0.00167	0.00222	0.00286

See introductory notes.

**SUBMERGED-ARC (FULL AUTOMATIC) SINGLE ELECTRODE**

Welding Position: Flat  
 Weld Quality Level: Commercial  
 Steel Weldability: Good

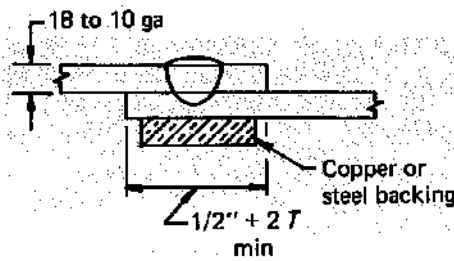


Plate Thickness (in.)	0.048 (18 ga)	0.060 (16 ga)	0.075 (14 ga)	0.105 (12 ga)	0.135 (10 ga)
Pass	1	1	1	1	1
Electrode Size	1/8	1/8	1/8	5/32	5/32
Current (amp) DC(+)	450	500	550	650	750
Volts	23	26	28	30	32
Arc Speed (in./min)	120	120	120	100	80
Electrode Req'd (lb/ft)	0.016	0.019	0.022	0.034	0.051
Flux Req'd (lb/ft)	0.015 - 0.020	0.018 - 0.024	0.021 - 0.028	0.030 - 0.041	0.046 - 0.061
Total Time (hr/ft of weld)	0.00167	0.00167	0.00167	0.00200	0.00250

See introductory notes.

**SUBMERGED-ARC (FULL AUTOMATIC) SINGLE ELECTRODE**

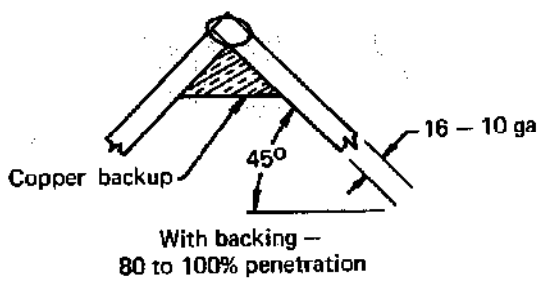
Welding Position: Flat Weld Quality Level: Commercial Steel Weldability: Good	
---	--

Plate Thickness (in.)	0.060 (16 ga)	0.075 (14 ga)	0.105 (12 ga)	0.135 (10 ga)
Pass	1	1	1	1
Electrode Size	3/32	1/8	1/8	1/8
Current (amp) DC(+)	375	400	500	625
Volts	20	24	30	31
Arc Speed (in./min)	170	130	110	90
Electrode Req'd (lb/ft)	0.0097	0.013	0.020	0.033
Flux Req'd (lb/ft)	0.011 - 0.015	0.013 - 0.018	0.019 - 0.026	0.030 - 0.041
Total Time (hr/ft of weld)	0.00118	0.00154	0.00182	0.00222

A flux retainer is necessary to avoid spillage.  
 See introductory notes.

**SUBMERGED-ARC (FULL AUTOMATIC) SINGLE ELECTRODE**

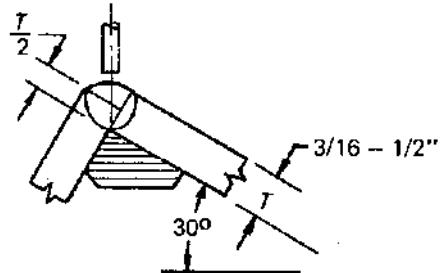
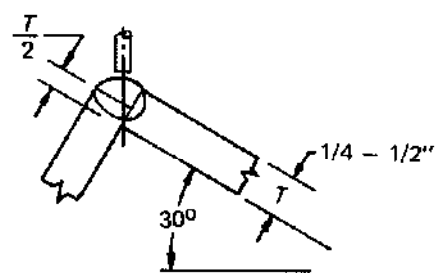
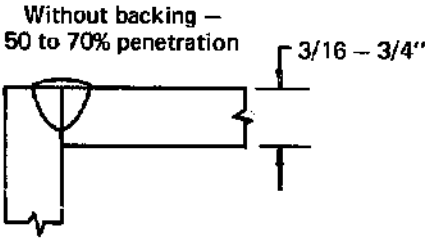
Welding Position: Flat Weld Quality Level: Commercial Steel Weldability: Good		
---	---	---

Plate Thickness (in.)	3/16	1/4	3/8	1/2	1/4	3/8	1/2
Pass	1	1	1	1	1	1	1
Electrode Size	5/32	3/16	3/16	3/16	5/32	3/16	3/16
Current (amp) DC(+)	625	700	750	850	500	650	750
Volts	31	32	35	36	31	33	35
Arc Speed (in./min)	70	56	42	32	60	48	36
Electrode Req'd (lb/ft)	0.048	0.062	0.089	0.13	0.035	0.061	0.10
Flux Req'd (lb/ft)	0.038 - 0.051	0.051 - 0.069	0.074 - 0.10	0.10 - 0.14	0.029 - 0.039	0.047 - 0.065	0.080 - 0.11
Total Time (hr/ft of weld)	0.00286	0.00357	0.00477	0.00625	0.00333	0.00417	0.00555

A flux retainer is necessary to avoid spillage.  
 See introductory notes.

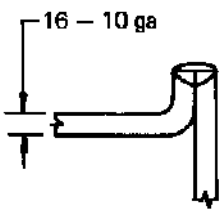
## SUBMERGED-ARC (FULL AUTOMATIC) SINGLE ELECTRODE

Welding Position: Flat Weld Quality Level: Commercial Steel Weldability: Good	<p>Without backing – 50 to 70% penetration</p> 					
Plate Thickness (in.)	3/16	1/4	3/8	1/2	5/8	3/4
Pass	1	1	1	1	1	1
Electrode Size	5/32	5/32	3/16	3/16	3/16	3/16
Current (amp) DC(+)	450	550	650	750	850	900
Volts	28	30	31	35	35	37
Arc Speed (in./min)	72	60	48	38	32	22
Electrode Req'd (lb/ft)	0.025	0.041	0.061	0.095	0.14	0.22
Flux Req'd (lb/ft)	0.023 – 0.031	0.038 – 0.051	0.053 – 0.072	0.083 – 0.11	0.12 – 0.16	0.18 – 0.25
Total Time (hr/ft of weld)	0.00278	0.00333	0.00417	0.00526	0.00625	0.00908

A flux retainer is necessary to avoid spillage.

See introductory notes.

## SUBMERGED-ARC (FULL AUTOMATIC) SINGLE ELECTRODE

Welding Position: Flat Weld Quality Level: Commercial Steel Weldability: Good				
Plate Thickness (in.)	0.060 (16 ga)	0.075 (14 ga)	0.105 (12 ga)	0.135 (10 ga)
Pass	1	1	1	1
Electrode Size	3/32	3/32	1/8	5/32
Current (amp) DC(+)	350	375	450	600
Volts	20	23	24	30
Arc Speed (in./min)	170	130	110	90
Electrode Req'd (lb/ft)	0.0089	0.012	0.018	0.031
Flux Req'd (lb/ft)	0.0090 – 0.012	0.011 – 0.014	0.017 – 0.023	0.028 – 0.038
Total Time (hr/ft of weld)	0.00118	0.00154	0.00182	0.00222

A flux retainer is necessary to avoid spillage.

See introductory notes.

## SUBMERGED-ARC (FULL AUTOMATIC) TWIN ELECTRODES

Welding Position: Flat Weld Quality Level: Commercial Steel Weldability: Good					
Plate Thickness (in.)	0.075 (14 ga)	0.105 (12 ga)	0.135 (10 ga)	3/16	1/4
Pass	1	1	1	1	1
Electrode Size	1/16 (two)	1/16 (two)	5/64 (two)	5/64 (two)	5/64 (two)
Current (amp) DC	900 (+)	950 (+)	950 (-)	975 (-)	1000 (-)
Volts	27	27	27	30	34
Arc Speed (in./min)	200	170	135	95	60
Electrode Req'd (lb/ft)	0.033	0.043	0.061	0.096	0.152
Flux Req'd (lb/ft)	0.04 - 0.05	0.04 - 0.06	0.05 - 0.07	0.07 - 0.10	0.12 - 0.15
Total Time (hr/ft of weld)	0.00100	0.00118	0.00148	0.00211	0.00333
Backing, minimum size (in.)	12 ga x 3/8	12 ga x 1/2	10 ga x 5/8	3/16 x 3/4	1/4 x 1
Gap (in.)	1/16	1/16	3/32	1/8	5/32
Electrode spacing, 5/16 in.					

Constant voltage power source is recommended.

See introductory notes.

## SUBMERGED-ARC (FULL AUTOMATIC) TWIN ELECTRODES

Welding Position: Flat Weld Quality Level: Commercial Steel Weldability: Good			
Plate Thickness (in.)	0.075 (14 ga)	0.105 (12 ga)	0.135 (10 ga)
Pass	1	1	1
Electrode Size	0.045 (two)	0.045 (two)	1/16 (two)
Current (amp) DC(+)	550	600	925
Volts	24	27	28
Arc Speed (in./min)	200	170	160
Electrode Req'd (lb/ft)	0.018	0.023	0.043
Flux Req'd (lb/ft)	0.02 - 0.03	0.03 - 0.04	0.04 - 0.05
Total Time (hr/ft of weld)	0.00100	0.00118	0.00125
Electrode Spacing (in.)	0.275	0.275	5/16
Groove in backing bar			
Width, W (in.)	1/4	3/8	3/8
Depth, d (in.)	1/32	1/32	1/32

Constant potential power source is recommended.

See introductory notes.

**SUBMERGED-ARC (FULL AUTOMATIC) TWIN ELECTRODES**

Welding Position: Flat Weld Quality Level: Code Steel Weldability: Good				
Plate Thickness (in.)	3/16	1/4	3/8	1/2
Pass	1	1	1	1
Electrode Size	3/32 (two)	3/32 (two)	3/32 (two)	3/32 (two)
Current (amp) DC(+)	900	950	1250	1400
Volts	39	39	40	41
Arc Speed (in./min)	48	39	36	24
Electrode Req'd (lb/ft)	0.15	0.19	0.31	0.58
Flux Req'd (lb/ft)	0.10 - 0.14	0.13 - 0.18	0.22 - 0.30	0.40 - 0.56
Total Time (hr/ft of weld)	0.00417	0.00513	0.00555	0.00833
Backing, minimum size (in.)	3/16 x 3/4	1/4 x 1	1/4 x 1	3/8 x 1
Gap (in.)	1/16 - 1/8	1/8 - 3/16	5/32 - 7/32	3/16 - 1/4
Electrode spacing, 3/8 in.				

Only for steels with less than 60,000 psi tensile strength.  
 See introductory notes.

**SUBMERGED-ARC (FULL AUTOMATIC) TWIN ELECTRODES**

Welding Position: Flat Weld Quality Level: Code Steel Weldability: Fair			
Plate Thickness (in.)	1/4	3/8	1/2
Pass	1	1	1
Electrode Size	3/32 (two)	3/32 (two)	3/32 (two)
Current (amp) DC(+)	670	880	980
Volts	37	39	40
Arc Speed (in./min)	28	27	17
Electrode Req'd (lb/ft)	0.16	0.24	0.46
Flux Req'd (lb/ft)	0.11 - 0.15	0.18 - 0.23	0.34 - 0.44
Total Time (hr/ft of weld)	0.00714	0.00741	0.0118
Backing, minimum size (in.)	1/4 x 1	1/4 x 1	3/8 x 1
Gap (in.)	1/8 - 3/16	5/32 - 7/32	3/16 - 1/4
Electrode spacing, 3/8 in.			

For steels with tensile strength of 60,000 psi or greater.  
 See introductory notes.

## SUBMERGED-ARC (FULL AUTOMATIC) TWIN ELECTRODES

Welding Position: Flat Weld Quality Level: Code Steel Weldability: Good Welded from: Two sides			
Plate Thickness (in.)	3/8	1/2	5/8
Pass	1	1	1
Electrode Size	3/32 (two)	3/32 (two)	3/32 (two)
Current (amp) DC(+)	1000	1200	1300
Volts	36	38	38
Arc Speed (in./min)	42	40	34
Electrode Req'd (lb/ft)*	0.19	0.26	0.35
Flux Req'd (lb/ft)	0.13 - 0.19	0.16 - 0.25	0.23 - 0.32
Total Time (hr/ft of weld)*	0.00476	0.00500	0.00588
Electrode spacing, 3/8 in.			

Make stick electrode weld first with 1/16 in. minimum buildup.

For plate preparation, see shielded metal-arc procedures.

\* Does not include shielded metal-arc weld.

See introductory notes.

## SUBMERGED-ARC (FULL AUTOMATIC) TWIN ELECTRODES

Welding Position: Flat Weld Quality Level: Code Steel Weldability: Good Welded from: Two sides				
Plate Thickness (in.)	3/4	7/8	1	1-1/8
Pass	1	1	1	1
Electrode Size	3/32 (two)	3/32 (two)	3/32 (two)	3/32 (two)
Current (amp) DC(+)	1200	1300	1500	1500
Volts	37	38	38	39
Arc Speed (in./min)	27	22	16	11
Electrode Req'd (lb/ft)*	0.38	0.55	1.0	1.5
Flux Req'd (lb/ft)	0.24 - 0.34	0.35 - 0.50	0.65 - 0.90	0.95 - 1.35
Total Time (hr/ft of weld)*	0.00741	0.00909	0.0125	0.0182
Electrode spacing (in.)	3/8	3/8	5/8	5/8

Make stick electrode weld first with 1/16 in. minimum buildup.

For plate preparation see shielded metal-arc procedures.

\* Does not include manual weld.

See introductory notes.

**SUBMERGED-ARC (FULL AUTOMATIC) TWIN ELECTRODES**

Welding Position: Flat Weld Quality Level: Code Steel Weldability: Good Welded from: Two sides				
	3/8"		1/2"	
Plate Thickness (in.)	3/8"		1/2"	
Pass	1	2	1	2
Electrode Size	3/32 (two)		3/32 (two)	
Current (amp) DC(+)	750		1000	
Volts	34		36	
Arc Speed (in./min)	42		40	
Electrode Req'd (lb/ft)	0.32		0.46	
Flux Req'd (lb/ft)	0.25 - 0.35		0.32 - 0.45	
Total Time (hr/ft of weld)	0.00953		0.0100	
Electrode spacing, 3/8 in.				

See Introductory notes.

**SUBMERGED-ARC (FULL AUTOMATIC) TWIN ELECTRODES**

Welding Position: Flat Weld Quality Level: Code Steel Weldability: Good Welded from: Two sides						
	3/4 to 1"					
Plate Thickness (in.)	3/4		7/8		1	
Pass	1	2	1	2	1	2
Electrode Size	3/32 (two)		3/32 (two)		3/32 (two)	
Current (amp) DC(+)	1000		1300		1400	
Volts	39		39		38	
Arc Speed (in./min)	32		22		18	
Electrode Req'd (lb/ft)	0.80		1.02		1.22	
Flux Req'd (lb/ft)	0.48 - 0.67		0.61 - 0.81		0.85 - 1.1	
Total Time (hr/ft of weld)	0.0154		0.0174		0.0198	
Depth, A (in.)	3/16		1/4		3/8	
Depth, B (in.)	3/8		7/16		7/16	
Electrode spacing, (in.)	3/8		3/8		3/8	



## SUBMERGED-ARC (FULL AUTOMATIC) TWIN ELECTRODES

Welding Position: Flat  
 Weld Quality Level: Code  
 Steel Weldability: Good  
 Welded from: Two sides

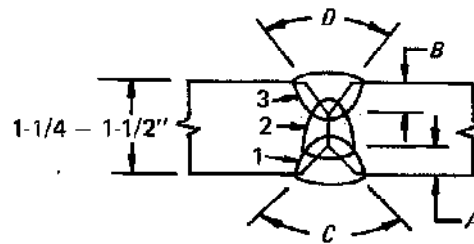
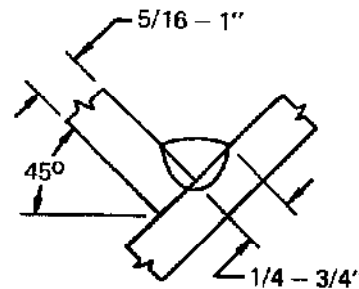


Plate Thickness (in.)	1-1/4			1-3/8			1-1/2		
	1	2	3	1	2	3	1	2	3
Pass	1	2	3	1	2	3	1	2	3
Electrode Size	1/8 (two)	1/8 (two)	1/8 (two)	1/8 (two)	1/8 (two)	1/8 (two)	1/8 (two)	1/8 (two)	1/8 (two)
Current (amp) DC(+)	1400	1500	1300	1500	1500	1300	1500	1500	1500
Volts	34	33	35	34	33	35	34	33	35
Arc Speed (in./min)	19	16	17	14	16	16	14	14	13
Electrode Req'd (lb/ft)	1.89			2.24			2.68		
Flux Req'd (lb/ft)	1.0 - 1.6			1.2 - 1.9			1.4 - 2.3		
Total Time (hr/ft of weld)	0.0348			0.0393			0.0440		
Depth, A (in.)	7/16			1/2			1/2		
Depth, B (in.)	9/16			5/8			3/4		
Angle, C (deg)	75			80			80		
Angle, D (deg)	90			80			80		
Electrode spacing, 1/2 in.									

See introductory notes.

## SUBMERGED-ARC (FULL AUTOMATIC) TWIN ELECTRODES

Welding Position: Flat  
 Weld Quality Level: Code  
 Steel Weldability: Good



Weld Size, (in.)	1/4	5/16	3/8	1/2	5/8	3/4
Plate Thickness (in.)	5/16	3/8	7/16	5/8	3/4	1
Pass	1	1	1	1	1	1
Electrode Size	3/32 (two)	3/32 (two)	3/32 (two)	3/32 (two)	3/32 (two)	3/32 (two)
Current (amp) DC(+)	900	1050	1200	1350	1400	1500
Volts	35	35	37	39	40	40
Arc Speed (in./min)	55	40	39	25	18	13
Electrode Req'd (lb/ft)	0.11	0.18	0.24	0.47	0.69	1.1
Flux Req'd (lb/ft)	0.07 - 0.10	0.13 - 0.18	0.14 - 0.20	0.27 - 0.38	0.40 - 0.52	0.7 - 1.0
Total Time (hr/ft of weld)	0.00364	0.00500	0.00513	0.00800	0.0111	0.0154
Electrode spacing (in.)	3/8	3/8	3/8	3/8	3/8	5/8

Position electrodes parallel to direction of travel for all except 3/4 in. weld size. For 3/4 in. weld, position electrodes 90° to direction of travel.

See introductory notes.

**SUBMERGED-ARC (FULL AUTOMATIC) TWIN ELECTRODES**

Welding Position: Flat Weld Quality Level: Commercial Steel Weldability: Good					
Plate Thickness (in.)	5/16	3/8	1/2	5/8	3/4
Pass	1	1	1	1	1
Electrode Size	3/32 (two)	3/32 (two)	3/32 (two)	3/32 (two)	1/8 (two)
Current (amp) DC(+)	700	900	1100	1200	1300
Volts	34	34	36	38	35
Arc Speed (in./min)	45	42	42	35	33
Electrode Req'd (lb/ft)	0.11	0.17	0.22	0.30	0.35
Flux Req'd (lb/ft)	0.07 - 0.11	0.11 - 0.17	0.15 - 0.22	0.20 - 0.30	0.25 - 0.35
Total Time (hr/ft of weld)	0.00444	0.00476	0.00476	0.00571	0.00606
Electrode spacing, 3/8 in.					

50 to 70% penetration can be achieved without backing.  
 See introductory notes.

**SUBMERGED-ARC (FULL AUTOMATIC) TWIN ELECTRODES**

Welding Position: Flat Weld Quality Level: Commercial Steel Weldability: Good			
Plate Thickness (in.)	1/2	5/8	3/4
Pass	1	1	1
Electrode Size	3/32 (two)	3/32 (two)	3/32 (two)
Current (amp) DC(-)	1300	1400	1400
Volts	38	39	40
Arc Speed (in./min)	48	40	30
Electrode Req'd (lb/ft)	0.25	0.34	0.46
Flux Req'd (lb/ft)	0.17 - 0.25	0.23 - 0.36	0.31 - 0.46
Total Time (hr/ft of weld)	0.00417	0.00500	0.00667

See introductory notes.

**SUBMERGED-ARC (FULL AUTOMATIC) TWIN ELECTRODES**

Welding Position: Flat  
 Weld Quality Level: Commercial  
 Steel Weldability: Good

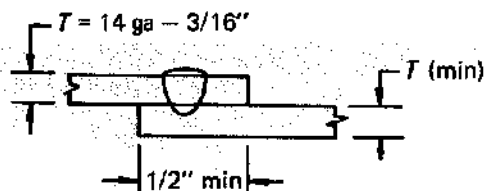


Plate Thickness, T (in.)	0.075 (14 ga)	0.105 (12 ga)	0.135 (10 ga)	3/16
Pass	t	1	1	1
Electrode Size	1/16 (two)	1/16 (two)	1/16 (two)	5/64 (two)
Current (amp) DC(+)	800	900	1000	1100
Volts	27	28	29	30
Arc Speed (in./min)	200	170	130	75
Electrode Req'd (lb/ft)	0.027	0.038	0.058	0.115
Flux Req'd (lb/ft)	0.03 - 0.04	0.03 - 0.05	0.05 - 0.06	0.09 - 0.11
Total Time (hr/ft of weld)	0.00100	0.00118	0.00154	0.00267
Electrode Spacing, 5/16 in.				

A constant-voltage power source is recommended.

See introductory notes.

**SUBMERGED-ARC (FULL AUTOMATIC) MULTIPLE ELECTRODES**

Welding Position: Flat Weld Quality Level: Code Steel Weldability: Good Welded from: One side						
Plate Thickness (in.)	2					
Pass	1 - 2	3 - 18	1 - 2	3 - 16	1 - 2	3 - 14
Electrode Size: Lead (No.1)	3/16	3/16	3/16	3/16	3/16	3/16
Trail (No.2)		3/16		3/16		3/16
Current (amp): Lead (No.1) DC(-)	750	950	750	950	750	950
Trail (No.2) AC		800		800		800
Volts: Lead (No.1)	34	32	38	39	44	45
Trail (No.2)		35		41		47
Arc Speed (in./min)	16	30	25	34	30	36
Electrode Req'd (lb/ft)	7.04		7.04		7.04	
Flux Req'd (lb/ft)	5.5 - 6.3		5.0 - 5.8		4.6 - 5.4	
Total Time (hr/ft of weld)	0.123		0.0963		0.0789	
Backout (in.)	1-1/2		4		6	
Backing, Minimum thickness (in.)	1/2		3/8		5/16	
Electrode spacing, 7/8 in.						

Slightly higher current on the first pass is preferred but 750 amps is the maximum permitted by the AWS Structural Code. This procedure can be applied directly or with modifications to several prequalified joints (see Section 11.3) other than those shown here. See introductory notes.

**SUBMERGED-ARC (FULL AUTOMATIC) MULTIPLE ELECTRODES**

Welding Position: Flat Weld Quality Level: Commercial Steel Weldability: Good						
Plate Thickness (in.)	0.135 (10 ga)	3/16	1/4	3/8	1/2	
Pass	1	1	1	1	1	
Electrode Size: Lead (No.1)	3/16	3/16	3/16	3/16	3/16	3/16
Trail (No.2)	5/32	5/32	5/32	5/32	5/32	5/32
Current (amp): Lead (No.1) DC(+)	750	975	1000	1000	1000	1000
Trail (No.2) AC	550	725	775	775	800	800
Volts: Lead (No.1)	31	32	33	33	35	35
Trail (No.2)	33	36	37	37	39	39
Arc Speed (in./min)	96	70	50	45	30	
Electrode Req'd (lb/ft)	0.07	0.14	0.22	0.24	0.38	
Flux Req'd (lb/ft)	0.05 - 0.07	0.10 - 0.15	0.16 - 0.23	0.18 - 0.25	0.26 - 0.40	
Total Time (hr/ft of weld)	0.00208	0.00286	0.00400	0.00444	0.00667	
Backing, minimum size (in.)	1/8 x 5/8	3/16 x 3/4	1/4 x 1	1/4 x 1	3/8 x 1	
Gap (in.)	1/16	1/8	5/32	5/32	3/16	
Electrode spacing, S (in.)	5/8	5/8	3/4	3/4	7/8	

See introductory notes.

**SUBMERGED-ARC (FULL AUTOMATIC) MULTIPLE ELECTRODES**

Welding Position: Flat  
 Weld Quality Level: Commercial  
 Steel Weldability: Good

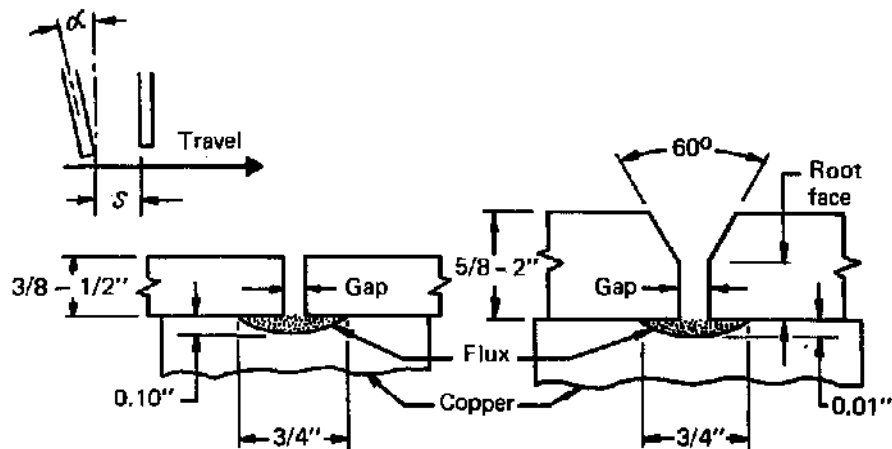


Plate Thickness (in.)	3/8	1/2	5/8	3/4	1	2
Pass	1	1	1	1	1 - 2	1 - 8
Electrode Size: Lead (No. 1)	3/16	3/16	3/16	3/16	3/16	3/16
Trail (No. 2)	5/32	5/32	5/32	5/32	3/16	3/16
Current (amp): Lead (No. 1) DC(+)	1000	1000	1000	1000	1000	1000
Trail (No. 2) AC	750	750	750	750	800	800
Volts: Lead (No. 1)	35	35	35	35	34	34
Trail (No. 2)	40	40	40	40	41	41
Arc Speed (in./min)	48	32	20	14	17	16
Electrode Req'd (lb/ft)	0.221	0.322	0.530	0.760	1.48	6.25
Flux Req'd (lb/ft)	0.18 - 0.24	0.27 - 0.35	0.46 - 0.58	0.63 - 0.83	1.25 - 1.65	5.30 - 6.70
Total Time (hr/ft of weld)	0.00417	0.00625	0.0100	0.0143	0.0236	0.100
Gap (in.)	1/16	1/8	3/16	3/16	3/16	3/16
Root face (in.)			7/16	1/2	1/2	1/2
Spacing, S (in.)	5/8	5/8	5/8	5/8	7/8	7/8
Electrode angle $\alpha$ (deg.)	20	20	20	20	12	12

See introductory notes.

**SUBMERGED-ARC (FULL AUTOMATIC) MULTIPLE ELECTRODES**

Welding Position: Flat  
 Weld Quality Level: Code  
 Steel Weldability: Good  
 Welded from: Two sides

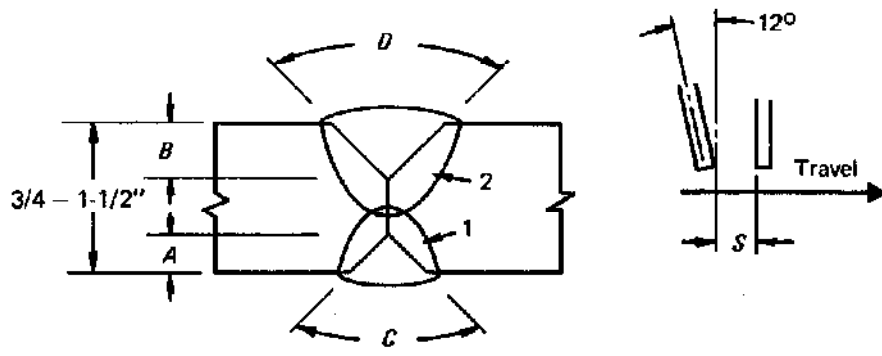
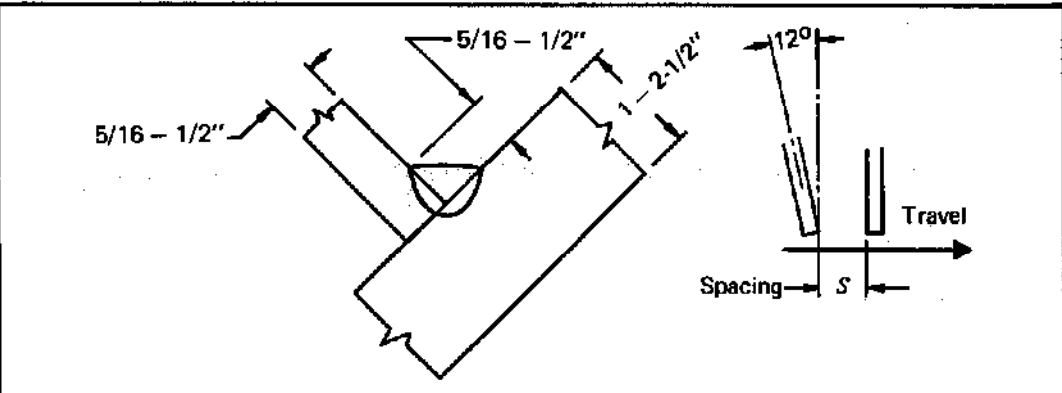


Plate Thickness (in.)	3/4		1		1-1/4		1-1/2	
Pass	1	2	1	2	1	2	1	2
Electrode Size: Lead (No. 1)	3/16	3/16	3/16	3/16	3/16	3/16	3/16	3/16
Trail (No. 2)	3/16	3/16	3/16	3/16	3/16	3/16	3/16	3/16
Current (amp): Lead (No. 1) DC(+)	950	1050	950	1050	950	1075	1075	1150
Trail (No. 2) AC	700	800	700	850	750	850	850	900
Volts: Lead (No. 1)	35	36	36	38	36	38	36	40
Trail (No. 2)	40	41	41	43	42	43	43	44
Arc Speed (in./min)	40	30	26	22	20	16.5	20	15
Electrode Req'd (lb/ft)	0.67		0.97		1.32		1.67	
Flux Req'd (lb/ft)	0.48 - 0.64		0.60 - 0.85		0.92 - 1.30		1.00 - 1.40	
Total Time (hr/ft of weld)	0.0117		0.0168		0.0220		0.0233	
Depth, A (in.)	1/8		1/4		3/8		7/16	
Depth, B (in.)	1/4		3/8		1/2		5/8	
Angle, C (deg)	90		80		70		60	
Angle, D (deg)	90		80		70		70	
Electrode spacing, S (in.)	7/8		1		1-1/8		1-1/4	

See introductory notes.

**SUBMERGED-ARC (FULL AUTOMATIC) MULTIPLE ELECTRODES**

Welding Position: Flat  
 Weld Quality Level: Code  
 Steel Weldability: Good or fair

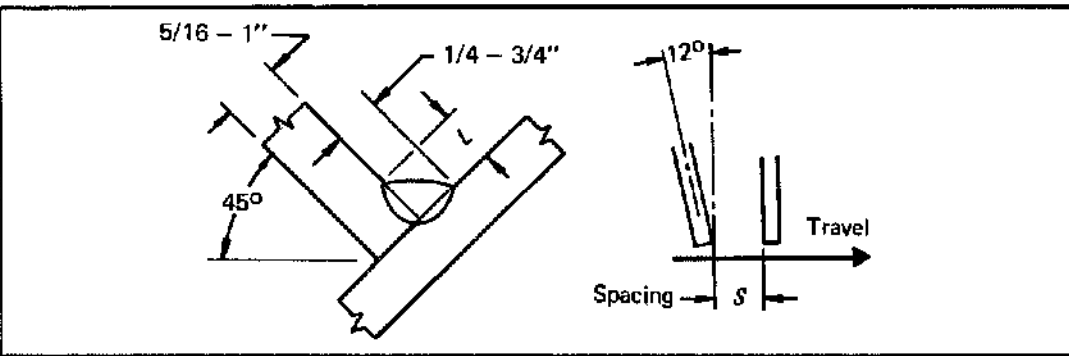


Weld Size, L (in.)	5/16	3/8	1/2
Plate Thickness (in.)	5/16 to 1	3/8 to 1-3/4	1/2 to 2-1/2
Pass	1	1	1
Electrode Size: Lead (No.1)	3/16	3/16	3/16
Trail (No.2)	3/16	3/16	3/16
Current (amp): Lead (No.1) DC(-)	550	600	750
Trail (No.2) AC	420	520	550
Volts: Lead (No.1)	29	29	32
Trail (No.2)	31	34	36
Arc Speed (in./min)	35	30	20
Electrode Req'd (lb/ft)	0.18	0.26	0.47
Flux Req'd (lb/ft)	0.11 - 0.15	0.16 - 0.21	0.27 - 0.36
Total Time (hr/ft of weld)	0.00571	0.00667	0.0100
Electrode spacing, S (in.)	5/8	5/8	3/4

See introductory notes.

**SUBMERGED-ARC (FULL AUTOMATIC) MULTIPLE ELECTRODES**

Welding Position: Flat  
 Weld Quality Level: Commercial  
 Steel Weldability: Good



Weld Size, (in.)	1/4	5/16	3/8	1/2	5/8	3/4
Plate Thickness (in.)	5/16	3/8	7/16	5/8	3/4	1
Pass	1	1	1	1	1	1
Electrode Size: Lead (No. 1)	3/16	3/16	3/16	3/16	3/16	3/16
Trail (No. 2)	3/16	3/16	3/16	3/16	3/16	3/16
Current (amp): Lead (No. 1) DC(+)	750	825	900	1075	1100	1100
Trail (No. 2) AC	550	600	700	750	850	850
Volts: Lead (No. 1)	28	30	32	34	37	37
Trail (No. 2)	30	33	34	36	39	39
Arc Speed (in./min)	68	50	40	29	21	14.5
Electrode Req'd (lb/ft)	0.12	0.18	0.26	0.47	0.73	1.05
Flux Req'd (lb/ft)	0.07 - 0.09	0.12 - 0.15	0.15 - 0.20	0.27 - 0.36	0.42 - 0.55	0.61 - 0.80
Total Time (hr/ft of weld)	0.00294	0.00400	0.00500	0.00690	0.00952	0.0138
Electrode Spacing, S (in.)	5/8	5/8	3/4	3/4	3/4	7/8

See introductory notes.

**SUBMERGED-ARC (FULL AUTOMATIC) MULTIPLE ELECTRODES**

Weld Position: Flat Weld Quality Level: Commercial Steel Weldability: Good Welded from: Two sides					
Weld Size, L (in.)*	5/16*	7/16*	1/2*	5/8*	3/4*
Plate Thickness (in.)	3/8 to 1	1/2 to 1	5/8 to 1	3/4 to 1	7/8 to 1
Pass	1, 2	1, 2	1, 2	1, 2	1, 2
Electrode Size:					
Lead (No.1)	3/16	3/16	3/16	3/16	3/16
Trail (No.2)	5/32	3/16	3/16	3/16	3/16
Current (amp):					
Lead (No.1) DC(+)	850	925	1025	1075	1100
Trail (No.2) AC	575	700	750	800	850
Volts:					
Lead (No.1)	30	32	34	36	37
Trail (No.2)	32	34	36	38	39
Arc Speed (in./min)	50	40	30	24	17.5
Electrode Req'd (lb/ft)	0.30	0.51	0.82	1.32	1.76
Flux Req'd (lb/ft)	0.20 - 0.27	0.32 - 0.42	0.52 - 0.67	0.85 - 1.10	1.00 - 1.35
Total Time (hr/ft of weld)	0.00800	0.0100	0.0133	0.0167	0.0228
Electrode angle, E (deg)	0 - 15	0 - 15	0 - 15	0 - 12	0 - 10
Electrode spacing, S (in.)	5/8	3/4	3/4	3/4	3/4
*Minor leg size (in.)	1/4	5/16	7/16	9/16	5/8

See introductory notes.

**SUBMERGED-ARC (FULL AUTOMATIC) MULTIPLE ELECTRODES**

Welding Position: Flat Weld Quality Level: Commercial Steel Weldability: Good Welded from: Two sides						
Weld Size, L (in.)	9/16*	7/8*		1-1/8*		
Plate Thickness (in.)	1	1-1/4		1-1/2		
Pass	1, 2	1, 3	2, 4	1, 4	2, 5	3, 6
Electrode Size:						
Lead (No.1)	3/16	3/16	3/16	3/16	3/16	3/16
Trail (No.2)	3/16	3/16	3/16	3/16	3/16	3/16
Current (amp):						
Lead (No.1) DC(-)	900	875	875	900	900	900
Trail (No.2) AC	800	700	700	750	750	750
Volts:						
Lead (No.1)	34	32	34	33	35	35
Trail (No.2)	36	35	37	37	39	39
Arc Speed (in./min)	20	18	18	18	18	18
Electrode Req'd (lb/ft)	1.16	2.19		3.51		
Flux Req'd (lb/ft)	0.72 - 0.93	1.40 - 1.80		2.30 - 3.00		
Total Time (hr/ft of weld)	0.0200	0.0444		0.0667		
*L = Minor leg size (in.)	1/4	3/8		1/2		
Electrode spacing, 7/8 in.						

See introductory notes.



## SUBMERGED-ARC (FULL AUTOMATIC) MULTIPLE ELECTRODES

Welding Position: Horizontal Weld Quality Level: Commercial Steel Weldability: Good			
	Weld Size, (in.)	3/16	1/4
Plate Thickness (in.)	1/4	5/16	3/8
Pass	1	1	1
Electrode Size: Lead (No. 1)	5/32	3/16	3/16
Trail (No. 2)	1/8	5/32	5/32
Current (amp): Lead (No. 1) DC(-)	600	800	875
Trail (No. 2) AC	350	550	600
Volts: Lead (No. 1)	26	26	28
Trail (No. 2)	28	28	31
Arc Speed (in./min)	75	60	45
Electrode Req'd (lb/ft)	0.066	0.120	0.181
Flux Req'd (lb/ft)	0.052 - 0.068	0.089 - 0.11	0.13 - 0.17
Total Time (hr/ft of weld)	0.00267	0.00333	0.00444

See introductory notes.

## SUBMERGED-ARC (FULL AUTOMATIC) MULTIPLE ELECTRODES

Welding Position: Horizontal Weld Quality Level: Commercial Steel Weldability: Good			
	Weld Size, (in.)	3/8	7/16
Plate Thickness (in.)	1/2	5/8	3/4
Pass	1	1	1
Electrode Size: Lead (No. 1)	3/16	3/16	3/16
Trail (No. 2)	1/8	1/8	1/8
Current (amp): Lead (No. 1) DC(-)	750	750	750
Trail (No. 2) AC	400	375	350
Volts: Lead (No. 1)	30	32	34
Trail (No. 2)	28	27	26
Arc Speed (in./min)	28	21	16
Electrode Req'd (lb/ft)	0.262	0.358	0.480
Flux Req'd (lb/ft)	0.19 - 0.25	0.27 - 0.35	0.35 - 0.46
Total Time (hr/ft of weld)	0.00715	0.00953	0.0125
Electrode Location (in.) A	0	1/16	1/8
B	3/32	1/8	1/8
Electrode Spacing, S (in.)	3	4	5

See introductory notes.

**SUBMERGED-ARC (FULL AUTOMATIC) MULTIPLE ELECTRODES**

Welding Position: Flat Weld Quality Level: Code Steel Weldability: Good						
Plate Thickness (in.)	2					
Pass	1 - 2	3 - 18	1 - 2	3 - 16	1 - 2	3 - 14
Electrode Size: Lead (No. 1)	3/16	3/16	3/16	3/16	3/16	3/16
Trail (No. 2&3)	3/16	3/16	3/16	3/16	3/16	3/16
Current (amp): Lead (No. 1) DC(-)	750	850	750	850	750	850
Trail (No. 2) AC		700		700		700
Trail (No. 3) AC		650		650		650
Volts: Lead (No. 1)	34	31	38	37	44	43
Trail (No. 2)		30		36		42
Trail (No. 3)		33		39		46
Arc Speed (in./min)	16	36	25	40	30	43
Electrode Req'd (lb/ft)	7.04		7.04		7.04	
Flux Req'd (lb/ft)	5.1 - 6.8		4.8 - 6.3		4.4 - 5.7	
Total Time (hr/ft of weld)	0.109		0.0859		0.0695	
Stickout (in.)	1-1/2		4		6	
Backing, min thickness (in.)	1/2		3/8		5/16	

Slightly higher current on the first pass is preferred but 750 amps is the maximum permitted by the AWS Structural Codes.

This procedure can be applied directly or with modifications to several prequalified joints (see Section 11.3) other than those shown here.

See introductory notes.

**SUBMERGED-ARC (FULL AUTOMATIC) MULTIPLE ELECTRODES**

Welding Position: Flat  
 Weld Quality Level: Code  
 Steel Weldability: Good  
 Welded from: Two sides

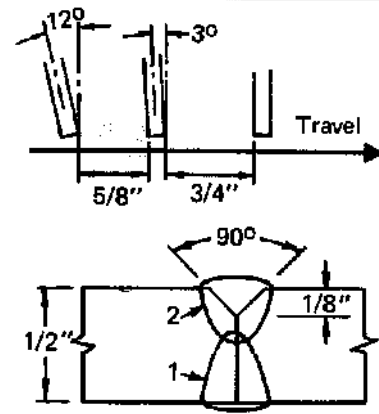
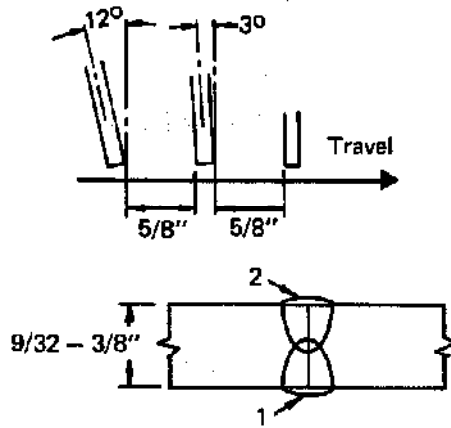


Plate Thickness (in.)	9/32		3/8		1/2	
Pass	1	2	1	2	1	2
Electrode Size: Lead (No. 1)	3/16	3/16	3/16	3/16	3/16	3/16
Trail (No. 2&3)	1/8	1/8	5/32	5/32	5/32	5/32
Current (amp): Lead (No. 1) DC(+)	1000	1100	1050	1100	1100	1100
Trail (No. 2) AC	600	800	700	800	800	800
Trail (No. 3) AC	600	600	700	700	800	800
Volts: Lead (No. 1)	29	31	30	32	31	32
Trail (No. 2)	31	34	32	33	33	33
Trail (No. 3)	37	37	37	37	38	38
Arc Speed (in./min)	104	104	90	90	80	70
Electrode Req'd (lb/ft)	0.27		0.36		0.47	
Flux Req'd (lb/ft)	0.25 - 0.32		0.33 - 0.43		0.42 - 0.53	
Total Time (hr/ft of weld)	0.00384		0.00444		0.00536	

See introductory notes.

**SUBMERGED-ARC (FULL AUTOMATIC) MULTIPLE ELECTRODES**

Welding Position: Flat  
 Weld Quality Level: Code  
 Steel Weldability: Good  
 Welded from: Two sides

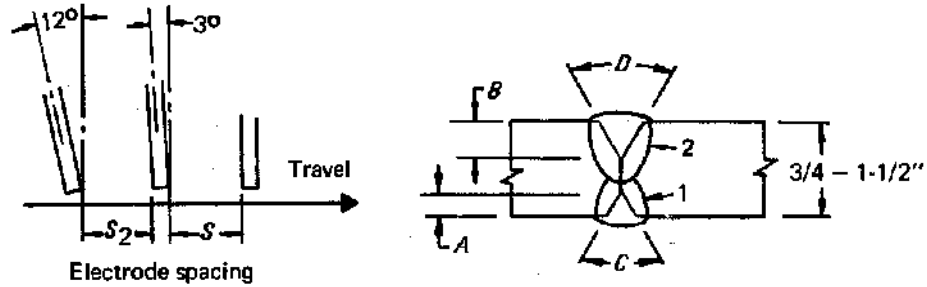
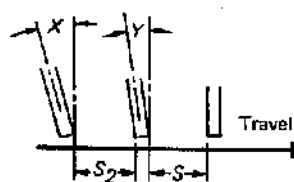
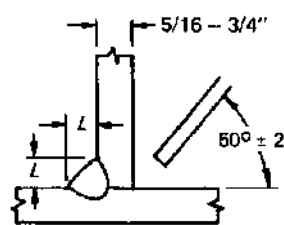


Plate Thickness (in.)	3/4		1		1-1/4		1-1/2	
	1	2	1	2	1	2	1	2
Electrode Size: Lead No. 1	3/16	3/16	3/16	3/16	3/16	3/16	3/16	3/16
Trail (No. 2&3)	3/16	3/16	3/16	3/16	3/16	3/16	3/16	3/16
Current (amp): Lead (No. 1) DC(+)	1000	1100	1050	1150	1150	1150	1175	1175
Trail (No. 2) AC	700	800	700	825	800	800	800	800
Trail (No. 3) AC	700	800	700	825	800	800	800	800
Volts: Lead (No. 1)	31	32	36	36	36	36	37	37
Trail (No. 2)	33	33	33	33	33	33	33	36
Trail (No. 3)	35	35	36	36	36	36	36	36
Travel Speed (in./min)	55	42	42	34	36	26	34	22
Electrode Req'd (lb/ft)	0.69		0.94		1.26		1.52	
Flux Req'd (lb/ft)	0.56 - 0.73		0.75 - 0.99		1.00 - 1.30		1.20 - 1.60	
Total Time (hr/ft of weld)	0.00840		0.0106		0.0133		0.0150	
Depth, A (in.)	1/8		1/4		3/8		7/16	
Depth, B (in.)	1/4		3/8		1/2		5/8	
Angle, C (deg)	90		80		70		60	
Angle, D (deg)	90		80		70		70	
Spacing, S (in.)	3/4		3/4		7/8		1	
Spacing, S2 (in.)	3/4		3/4		7/8		1	

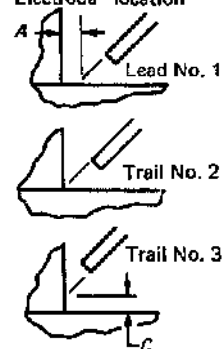
See introductory notes.

## SUBMERGED-ARC (FULL AUTOMATIC) MULTIPLE ELECTRODES

Welding Position: Horizontal  
 Weld Quality Level: Commercial  
 Steel Weldability: Good



Electrode location



Weld Size, L (in.)	1/4	5/16	3/8	1/2	5/8
Plate Thickness (in.)	5/16	3/8	1/2	5/8	3/4
Pass	1	1	1	1	1
Electrode Size:					
Lead (No. 1)	5/32	5/32	3/16	3/16	3/16
Trail (No. 2)	1/8	1/8	1/8	1/8	1/8
Trail (No. 3)	3/32	3/32	3/32	3/32	3/32
Current (amp):					
Lead (No. 1) DC	800(+)	875(+)	750(-)	750(-)	750(-)
Trail (No. 2) AC	600	650	400	400	400
Trail (No. 3) AC	325	350	350	350	300
Voits:					
Lead (No. 1)	28	30	31	32	33
Trail (No. 2)	29	31	29	30	31
Trail (No. 3)	30	31	31	31	29
Arc Speed (in./min)	80	64	37	21	13.5
Electrode Req'd (lb/ft)	0.12	0.18	0.26	0.47	0.73
Flux Req'd (lb/ft)	0.10 - 0.13	0.13 - 0.18	0.19 - 0.24	0.32 - 0.42	0.51 - 0.66
Total Time (hr/ft of weld)	0.00250	0.00313	0.00541	0.0095	0.0148
Electrode location, A (in.)	0	0	1/8	5/32	3/16
Electrode location, C (in.)	3/32	1/8	1/8	5/32	3/16
Electrode spacing, S (in.)	3/4	3/4	3	4	5
Electrode spacing, S <sub>2</sub> (in.)	7/8	7/8	3	3	3
Electrode angle, X (deg)	8	8	3	3	3
Electrode angle, Y (deg)	15	15	7	7	7

See introductory notes.

**SUBMERGED-ARC (SEMI-AUTOMATIC) MANUAL**

Welding Position: Flat Weld Quality Level: Commercial Steel Weldability: Good					
Plate Thickness (in.)	0.075 (14 ga)	0.105 (12 ga)	0.135 (10 ga)	3/16	1/4
Pass	1	1	1	1	1
Electrode Size	1/16	1/16	1/16	1/16	1/16
Current (amp) DC(+)	275	325	375	425	425
Volts	25	27	29	33	36
Arc Speed (in./min)	44 - 50	40 - 46	35 - 40	26 - 30	14 - 18
Electrode Req'd (lb/ft)	0.037	0.047	0.065	0.108	0.190
Flux Req'd (lb/ft)	0.09 - 0.13	0.10 - 0.14	0.12 - 0.16	0.14 - 0.18	0.15 - 0.21
Total Time (hr/ft of weld)	0.00426	0.00465	0.00534	0.00715	0.0125
Backing, minimum size (in.)	12 ga x 3/8	12 ga x 1/2	10 ga x 5/8	3/16 x 3/4	1/4 x 1
Gap (in.)	1/16	1/16	3/32	3/32	1/8

See introductory notes.

**SUBMERGED-ARC (SEMI-AUTOMATIC) MANUAL**

Welding Position: Flat Weld Quality Level: Commercial Steel Weldability: Good				
Plate Thickness (in.)	3/16	1/4	5/16	3/8
Pass	1	1	1	1
Electrode Size	5/64	5/64	5/64	5/64
Current (amp) DC(+)	425	450	475	500
Volts	31	32	34	35
Arc Speed (in./min)	20 - 22	15 - 17	13 - 15	10 - 12
Electrode Req'd (lb/ft)	0.12	0.18	0.22	0.30
Flux Req'd (lb/ft)	0.13 - 0.17	0.21 - 0.27	0.25 - 0.32	0.34 - 0.43
Total Time (hr/ft of weld)	0.00952	0.0125	0.0143	0.0182
Backing, minimum size (in.)	3/16 x 3/4	1/4 x 3/4	1/4 x 1	1/4 x 1
Gap (in.)	1/8	5/32	5/32	3/16

See introductory notes.

**SUBMERGED-ARC (SEMI-AUTOMATIC) MANUAL**

Welding Position: Flat Weld Quality Level: Commercial Steel Weldability: Good Welded from: Two sides								
Plate Thickness (in.)	0.105 (12 ga)		0.135 (10 ga)		3/16		1/4	
Pass	1	2	1	2	1	2	1	2
Electrode Size	1/16	1/16	1/16	1/16	1/16	1/16	1/16	1/16
Current (amp) DC(+)	200	275	250	325	300	350	325	375
Volts	23	25	25	27	29	32	31	33
Arc Speed (in./min)	44 - 49		47 - 52		43 - 48		40 - 44	
Electrode Req'd (lb/ft)	0.060		0.070		0.088		0.106	
Flux Req'd (lb/ft)	0.11 - 0.15		0.12 - 0.16		0.14 - 0.18		0.15 - 0.21	
Total Time (hr/ft of weld)	0.00860		0.00808		0.00880		0.00952	

See introductory notes.

**SUBMERGED-ARC (SEMI-AUTOMATIC) MANUAL**

Welding Position: Flat Weld Quality Level: Commercial Steel Weldability: Good Welded from: Two sides										
Plate Thickness (in.)	3/16		1/4		3/8		1/2		5/8	
Pass	1	2	1	2	1	2	1	2	1	2
Electrode Size	5/64	5/64	5/64	5/64	5/64	5/64	5/64	5/64	5/64	5/64
Current (amp) DC(+)	300	350	350	400	425	475	475	500	500	500
Volts	30	33	31	34	33	35	34	36	35	37
Arc Speed (in./min)	40 - 44		37 - 41		27 - 30		20 - 23		15 - 17	
Electrode Req'd (lb/ft)	0.072		0.10		0.18		0.28		0.39	
Flux Req'd (lb/ft)	0.14 - 0.18		0.15 - 0.19		0.25 - 0.31		0.42 - 0.50		0.55 - 0.65	
Total Time (hr/ft of weld)	0.00952		0.0103		0.0141		0.0186		0.0250	

See introductory notes.

**SUBMERGED-ARC (SEMI-AUTOMATIC) MANUAL**

Welding Position: Flat Weld Quality Level: Commercial Steel Weldability: Good Welded from: Two sides					
	Plate Thickness (in.)	5/8		3/4	
Pass	1	2	1	2	
Electrode Size	5/64	5/64	5/64	5/64	
Current (amp) DC(+)	475	500	475	500	
Volts	35	36	35	36	
Arc Speed (in./min)	16 - 18	16 - 18	11 - 13	11 - 13	
Electrode Req'd (lb/ft)	0.37		0.53		
Flux Req'd (lb/ft)	0.60 - 0.75		0.75 - 0.96		
Total Time (hr/ft of weld)	0.0235		0.0333		
Depth, A (in.)	7/32		9/32		
Depth, B (in.)	7/32		9/32		

**SUBMERGED-ARC (SEMI-AUTOMATIC) MANUAL**

Welding Position: Flat Weld Quality Level: Commercial Steel Weldability: Good Welded from: Two sides										
Plate Thickness (in.)	1			1-1/4			1-1/2			
Pass	1	2	3 - 6	1	2	3 - 8	1	2	3 - 10	
Electrode Size	5/64	5/64	5/64	5/64	5/64	5/64	5/64	5/64	5/64	
Current (amp) DC(-)	450	500	500	450	500	500	450	500	500	
Volts	34	34	38	34	34	38	34	34	38	
Arc Speed (in./min)	15 - 17	15 - 17	21 - 23	17 - 19	17 - 19	18 - 20	15 - 17	15 - 17	15 - 17	
Electrode Req'd (lb/ft)	1.34			1.88			2.75			
Flux Req'd (lb/ft)	2.70 - 3.35			3.80 - 4.45			5.20 - 6.80			
Total Time (hr/ft of weld)	0.0614			0.0852			0.125			

Seam must be tight. Seal all gaps with small bead on first-pass side.

See introductory notes.



## SUBMERGED-ARC (SEMI-AUTOMATIC) MANUAL

Welding Position: Flat Weld Quality Level: Commercial Steel Weldability: Good					
	Weld Size, L (in.)	3/32	3/32	1/8	5/32
Plate Thickness (in.)	0.075 (14 ga)	0.105 (12 ga)	0.135 (10 ga)	3/16	1/4
Pass	1	1	1	1	1
Electrode Size	1/16	1/16	1/16	1/16	1/16
Current (amp) DC(+)	185	250	325	360	400
Volts	23	24.5	28	30	37
Arc Speed (in./min)	35 - 39	47 - 52	57 - 63	47 - 52	31 - 34
Electrode Req'd (lb/ft)	0.028	0.030	0.034	0.047	0.081
Flux Req'd (lb/ft)	0.07 - 0.09	0.08 - 0.10	0.10 - 0.12	0.10 - 0.13	0.11 - 0.14
Total Time (hr/ft of weld)	0.00540	0.00404	0.00333	0.00404	0.00615

See introductory notes.

## SUBMERGED-ARC (SEMI-AUTOMATIC) MANUAL

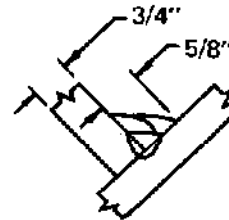
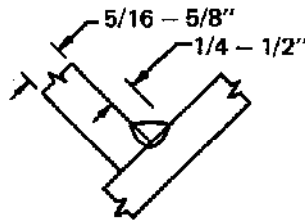
Welding Position: Flat Weld Quality Level: Commercial Steel Weldability: Good	<p>Procedure for Conventional Fillers with 1-in. Electrical Stickout</p>					
	Weld Size, L (in.)	3/16	1/4	5/16	3/8	1/2
Plate Thickness (in.)	1/4	5/16	3/8	1/2	5/8	3/4
Pass	1	1	1	1	1	1, 2 & 3
Electrode Size	5/64	5/64	5/64	5/64	5/64	5/64
Current (amp) DC(-)	375	400	425	425	425	450
Volts	36	37	38	39	39	40
Arc Speed (in./min)	31 - 32	22 - 24	17 - 19	13.5 - 14.5	7.5 - 8.5	14 - 15
Electrode Req'd (lb/ft)	0.08	0.13	0.19	0.26	0.45	0.74
Flux Req'd (lb/ft)	0.07 - 0.11	0.12 - 0.16	0.17 - 0.24	0.25 - 0.33	0.44 - 0.54	0.80 - 0.95
Total Time (hr/ft of weld)	0.00615	0.00870	0.0111	0.0143	0.0250	0.0404

See introductory notes.

**SUBMERGED-ARC (SEMI-AUTOMATIC) MANUAL**

Welding Position: Flat  
 Weld Quality Level: Commercial  
 Steel Weldability: Good

Procedure for Long Stickout (2-1/4 in.)

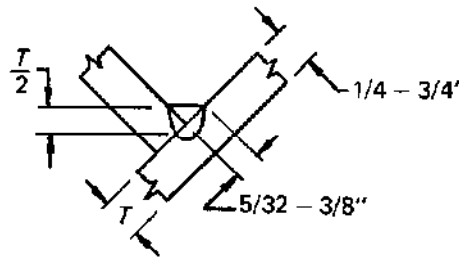


Weld Size, L (in.)	1/4	5/16	3/8	1/2	5/8
Plate Thickness (in.)	5/16	3/8	1/2	5/8	3/4
Pass	1	1	1	1	1, 2 & 3
Electrode Size	5/64	5/64	5/64	5/64	5/64
Current (amp) DC(-)	425	450	450	450	450
Volts	45	47	47	47	47
Arc Speed (in./min)	28 - 31	22 - 24	17 - 19	9 - 11	17 - 19
Electrode Req'd (lb/ft)	0.14	0.22	0.30	0.52	0.81
Flux Req'd (lb/ft)	0.10 - 0.15	0.16 - 0.22	0.26 - 0.35	0.42 - 0.52	0.80 - 0.95
Total Time (hr/ft of weld)	0.00678	0.00870	0.0111	0.0200	0.0333
Electrical Stickout, 2-1/4 in.					

**SUBMERGED-ARC (SEMI-AUTOMATIC) MANUAL**

Welding Position: Flat  
 Weld Quality Level: Strength only  
 Steel Weldability: Good

Procedure for Penetration Welds with 1-in. Electrical Stickout



Weld Size, L (in.)	5/32	3/16(-)	3/16	1/4	5/16	3/8
Plate Thickness, T (in.)	1/4	5/16	3/8	1/2	5/8	3/4
Pass	1	1	1	1	1	1
Electrode Size	5/64	5/64	5/64	5/64	5/64	5/64
Current (amp) DC(+)	350	400	410	425	425	425
Volts	30	33	34	35	35	36
Arc Speed (in./min)	36 - 40	33 - 36	24 - 27	16 - 18	11.5 - 12.5	8.5 - 9.5
Electrode Req'd (lb/ft)	0.046	0.061	0.084	0.13	0.19	0.25
Flux Req'd (lb/ft)	0.05 - 0.08	0.09 - 0.13	0.14 - 0.18	0.20 - 0.25	0.26 - 0.32	0.32 - 0.40
Total Time (hr/ft of weld)	0.00526	0.00580	0.00784	0.0118	0.0167	0.0222

See introductory notes.

## SUBMERGED-ARC (SEMI-AUTOMATIC) MANUAL

Welding Position: Horizontal Weld Quality Level: Commercial Steel Weldability: Good					
	Weld Size, L (in.)	3/32-	3/32	1/8-	5/32-
Plate Thickness (in.)	0.075 (14 ga)	0.105 (12 ga)	0.135 (10 ga)	3/16	1/4
Pass	1	1	1	1	1
Electrode Size	1/16	1/16	1/16	1/16	1/16
Current (amp) DC(+)	185	250	325	350	375
Volts	23	24.5	28	30	34
Arc Speed (in./min)	35 - 39	47 - 52	52 - 58	43 - 47	27 - 30
Electrode Req'd (lb/ft)	0.029	0.030	0.037	0.050	0.078
Flux Req'd (lb/ft)	0.08 - 0.10	0.08 - 0.12	0.08 - 0.12	0.09 - 0.13	0.09 - 0.13
Total Time (hr/ft of weld)	0.00540	0.00404	0.00364	0.00444	0.00702

See introductory notes.

## SUBMERGED-ARC (SEMI-AUTOMATIC) MANUAL

Welding Position: Horizontal Weld Quality Level: Commercial Steel Weldability: Good	<p>Procedure for Conventional Fillets with 1-in. Electrical Stickout</p>				
	Weld Size, L (in.)	5/32	3/16	1/4	5/16
Plate Thickness (in.)	3/16	1/4	5/16	3/8	1/2
Pass	1	1	1	1	1
Electrode Size	5/64	5/64	5/64	5/64	5/64
Current (amp) DC(-)	310	340	375	400	425
Volts	31	33	34	35	37
Arc Speed (in./min)	40 - 44	31 - 34	21 - 23	15 - 17	11.5 - 12.5
Electrode Req'd (lb/ft)	0.058	0.078	0.13	0.20	0.30
Flux Req'd (lb/ft)	0.06 - 0.08	0.08 - 0.12	0.14 - 0.18	0.19 - 0.25	0.28 - 0.34
Total Time (hr/ft of weld)	0.00476	0.00615	0.00909	0.0125	0.0167

See introductory notes.

**SUBMERGED-ARC (SEMI-AUTOMATIC) MANUAL**

Welding Position: Horizontal Weld Quality Level: Commercial Steel Weldability: Good	Procedure for Long Electrical Stickout (2-1/4")			
Weld Size, L (in.)	1/4	5/16	3/8	1/2
Plate Thickness (in.)	5/16	3/8	1/2	5/8
Pass	1	1	1	1, 2 & 3
Electrode Size	5/64	5/64	5/64	5/64
Current (amp) DC(-)	450	450	400	400
Volts	48	48	42	42
Arc Speed (in./min)	31 - 34	21 - 23	13 - 14	23 - 25*
Electrode Req'd (lb/ft)	0.16	0.23	0.32	0.56
Flux Req'd (lb/ft)	0.10 - 0.14	0.16 - 0.21	0.37 - 0.43	0.58 - 0.64
Total Time (hr/ft of weld)	0.00615	0.00909	0.0148	0.0250
Electrical Stickout, 2-1/4 in.				

\* Each pass  
 See Introductory notes.

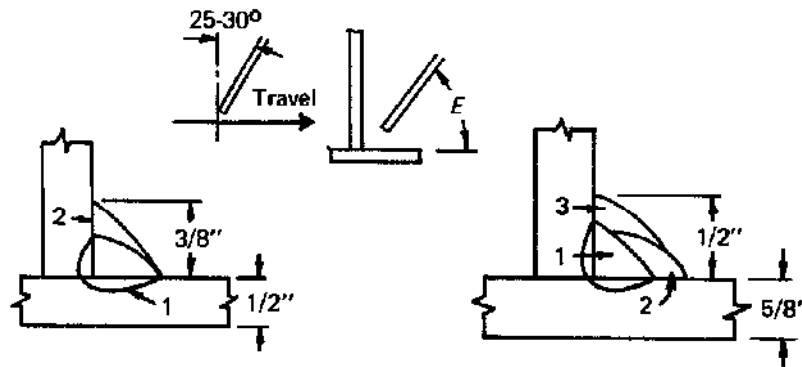
**SUBMERGED-ARC (SEMI-AUTOMATIC) MANUAL**

Welding Position: Horizontal Weld Quality Level: Strength only Steel Weldability: Good	Procedure for Penetration Fillets with 1-in. Electrical Stickout					
Weld Size, L (in.)	5/32(-)	3/16	3/16(+)	1/4(-)	1/4(+)	5/16(+)
Plate Thickness, T (in.)	3/16	1/4	5/16	3/8	1/2	5/8
Pass	1	1	1	1	1	1
Electrode Size	5/64	5/64	5/64	5/64	5/64	5/64
Current (amp) DC(+)	325	325	350	380	400	400
Volts	26	26	28	31	32	32
Arc Speed (in./min)	37 - 41	32 - 35	25 - 28	21 - 23	13 - 14	8 - 9
Electrode Req'd (lb/ft)	0.038	0.044	0.064	0.081	0.15	0.21
Flux Req'd (lb/ft)	0.05 - 0.07	0.06 - 0.09	0.10 - 0.14	0.15 - 0.20	0.22 - 0.28	0.30 - 0.40
Total Time (hr/ft of weld)	0.00513	0.00597	0.00755	0.00909	0.0148	0.0235

See Introductory notes.

**SUBMERGED-ARC (SEMI-AUTOMATIC) MANUAL**

Welding Position: Horizontal  
 Weld Quality Level: Commercial  
 Steel Weldability: Good

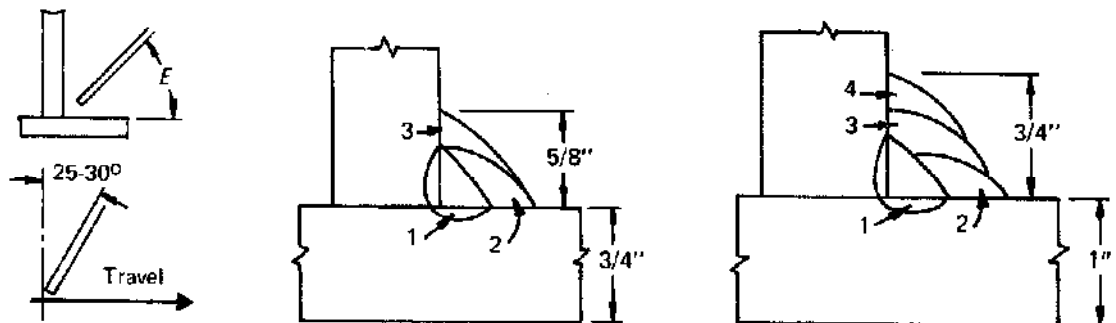


Weld Size, L (in.)	3/8			1/2		
Plate Thickness (in.)	1/2			5/8		
Pass	1	2		1	2	3
Electrode Size	5/64	5/64		5/64	5/64	5/64
Current (amp) DC(-)	425	425		425	425	425
Volts	35	35		35	35	35
Arc Speed (in./min)	23 - 25	23 - 25		20 - 22	20 - 22	20 - 22
Electrode Req'd (lb/ft)	0.31			0.53		
Flux Req'd (lb/ft)	0.32 - 0.50			0.55 - 0.80		
Total Time (hr/ft of weld)	0.0167			0.0286		
Electrode Angle, E (deg)	65	50		50	60	40

See introductory notes.

**SUBMERGED-ARC (SEMI-AUTOMATIC) MANUAL**

Welding Position: Horizontal  
 Weld Quality Level: Commercial  
 Steel Weldability: Good



Weld Size, L (in.)	5/8			3/4			
Plate Thickness (in.)	3/4			1			
Pass	1	2	3	1	2	3	4
Electrode Size	5/64	5/64	5/64	5/64	5/64	5/64	5/64
Current (amp) DC(-)	425	425	425	425	425	425	425
Volts	35	35	35	35	35	35	35
Arc Speed (in./min)	13.5 - 14.5	13.5 - 14.5	12.5 - 13.5	12.5 - 13.5	12.5 - 13.5	12.5 - 13.5	12.5 - 13.5
Electrode Req'd (lb/ft)	0.84			1.14			
Flux Req'd (lb/ft)	1.0 - 1.4			1.3 - 1.8			
Total Time (hr/ft of weld)	0.0440			0.0616			
Electrode angle, E (deg)	50	60	40	50	65	50	40

See introductory notes.

**SUBMERGED-ARC (SEMI-AUTOMATIC) MANUAL**

Welding Position: Horizontal Weld Quality Level: Commercial Steel Weldability: Good					
	14 ga - 1/4"				
Weld Size, L (in.)	3/32(-)	3/32	1/8(-)	3/16	1/4
Plate Thickness (in.)	0.075 (14 ga)	0.106 (12 ga)	0.135 (10 ga)	3/16	1/4
Pass	1	1	1	1	1
Electrode Size	1/16	1/16	1/16	1/16	1/16
Current (amp) DC(+)	185	250	325	360	400
Volts	23	24.5	28.5	30.5	37
Arc Speed (in./min)	47 - 52	47 - 52	52 - 58	42 - 47	27 - 30
Electrode Req'd (lb/ft)	0.022	0.030	0.037	0.055	0.086
Flux Req'd (lb/ft)	0.09 - 0.13	0.11 - 0.15	0.11 - 0.15	0.12 - 0.16	0.13 - 0.17
Total Time (hr/ft of Weld)	0.00404	0.00404	0.00364	0.00449	0.00702

See introductory notes.

**SUBMERGED-ARC (SEMI-AUTOMATIC) MANUAL**

Welding Position: Horizontal Weld Quality Level: Commercial Steel Weldability: Good				
	3/16 - 3/8"			
Weld Size, L (in.)	3/16	1/4	5/16(-)	5/16(+)
Plate Thickness (in.)	3/16	1/4	5/16	3/8
Pass	1	1	1	1
Electrode Size	5/64	5/64	5/64	5/64
Current (amp) DC(-)	400	425	450	450
Volts	36	37	38	38
Arc Speed (in./min.)	40 - 44	31 - 34	22 - 24	16 - 18
Electrode Req'd (lb/ft)	0.080	0.12	0.17	0.22
Flux Req'd (lb/ft)	0.10 - 0.13	0.14 - 0.18	0.19 - 0.25	0.22 - 0.29
Total Time (hr/ft of weld)	0.00476	0.00615	0.00870	0.0118
Electrode angle, E (deg)	65	60	55	55

See introductory notes.

**SUBMERGED-ARC (SEMI-AUTOMATIC) MECHANIZED**

Welding Position: Flat Weld Quality Level: Commercial Steel Weldability: Good				
	Plate Thickness (in.)	3/16	1/4	5/16
Pass	1	1	1	1
Electrode Size	3/32	3/32	3/32	3/32
Current (amp) DC(+)	500	550	575	600
Volts	32	34	35	36
Arc Speed (in./min)	26	20	18	14
Electrode Req'd (lb/ft)	0.12	0.18	0.22	0.32
Flux Req'd (lb/ft)	0.14 - 0.18	0.22 - 0.28	0.27 - 0.35	0.35 - 0.48
Total Time (hr/ft of weld)	0.00769	0.0100	0.0111	0.0143
Backing, minimum size (in.)	3/16 x 3/4	1/4 x 3/4	1/4 x 1	1/4 x 1
Gap (in.)	1/8	5/32	5/32	3/16

See introductory notes.

**SUBMERGED-ARC (SEMI-AUTOMATIC) MECHANIZED**

Welding Position: Flat Weld Quality Level: Commercial Steel Weldability: Good Welded from: Two sides										
	Plate Thickness (in.)	1/4		5/16		3/8		1/2		5/8
Pass	1	2	1	2	1	2	1	2	1	2
Electrode Size	3/32	3/32	3/32	3/32	3/32	3/32	3/32	3/32	3/32	3/32
Current (amp) DC(+)	350	450	400	475	450	520	520	600	600	650
Volts	33	37	35	38	36	39	38	40	38	40
Arc Speed (in./min)	45	45	38	38	32	32	25	25	20	20
Electrode Req'd (lb/ft)	0.10		0.13		0.18		0.28		0.43	
Flux Req'd (lb/ft)	0.15 - 0.19		0.20 - 0.25		0.26 - 0.32		0.44 - 0.53		0.58 - 0.70	
Total Time (hr/ft of weld)	0.00889		0.0105		0.0125		0.0160		0.0200	

See introductory notes.

**SUBMERGED-ARC (SEMIAUTOMATIC) MECHANIZED**

Welding Position: Flat  
 Weld Quality Level: Commercial  
 Steel Weldability: Good  
 Welded from: Two sides

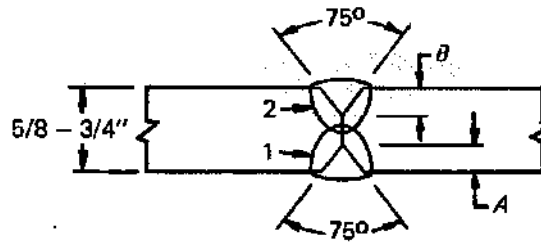


Plate Thickness (in.)	5/8		3/4	
Pass	1	2	1	2
Electrode Size	3/32	3/32	3/32	3/32
Current (amp) DC(+)	500	525	500	525
Volts	34	35	34	35
Arc Speed (in./min)	17.0	18.0	12.0	12.5
Electrode Req'd (lb/ft)	0.37		0.56	
Flux Req'd (lb/ft)	0.64 - 0.71		0.81 - 0.90	
Total Time (hr/ft of weld)	0.0229		0.0327	
Depth, A (in.)	7/32		9/32	
Depth, B (in.)	7/32		9/32	

See introductory notes.

**SUBMERGED-ARC (SEMIAUTOMATIC) MECHANIZED**

Welding Position: Flat  
 Weld Quality Level: Commercial  
 Steel Weldability: Good  
 Welded from: Two sides

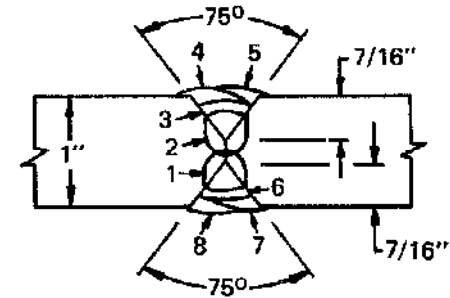
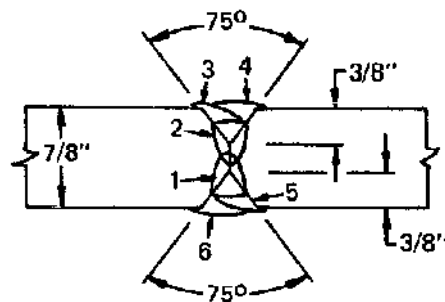


Plate Thickness (in.)	7/8			1		
Pass	1	2	3 - 6	1	2	3 - 8
Electrode Size	3/32	3/32	3/32	3/32	3/32	3/32
Current (amp) DC(-)	500	550	550	500	550	550
Volts	33	33	38	34	34	38
Arc Speed (in./min)	25	25	30	25	25	30
Electrode Req'd (lb/ft)	0.98			1.28		
Flux Req'd (lb/ft)	2.23 - 2.52			2.82 - 3.05		
Total Time (hr/ft of weld)	0.0427			0.0560		

See introductory notes.



**SUBMERGED-ARC (SEMI-AUTOMATIC) MECHANIZED**

Welding Position: Flat  
 Weld Quality Level: Commercial  
 Steel Weldability: Good  
 Welded from: Two sides

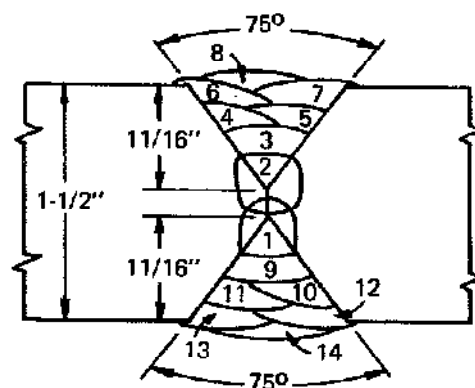
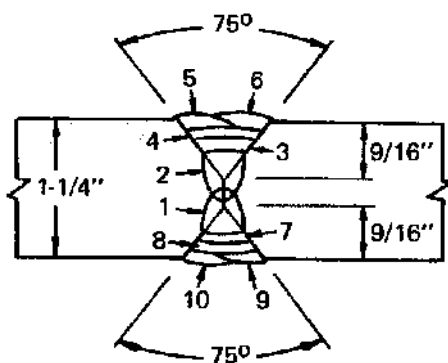
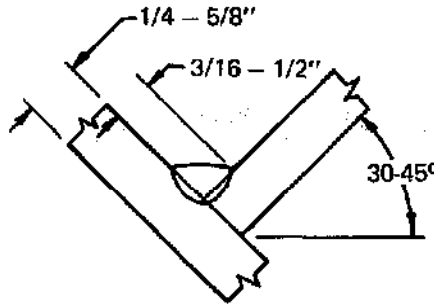


Plate Thickness (in.)	1-1/4			1-1/2		
Pass	1	2	3 - 10	1	2	3 - 14
Electrode Size	3/32	3/32	3/32	3/32	3/32	3/32
Current (amp) DC(---)	500	550	550	500	550	550
Volts	34	34	39	34	34	39
Arc Speed (in.min)	23	23	24	21	21	25
Electrode Req'd (lb/ft)	1.90			2.58		
Flux Req'd (lb/ft)	4.00 - 4.25			5.42 - 5.75		
Total Time (hr/ft of weld)	0.0841			0.115		

See introductory notes.

**SUBMERGED-ARC (SEMI-AUTOMATIC) MECHANIZED**

Welding Position: Flat  
 Weld Quality Level: Commercial  
 Steel Weldability: Good

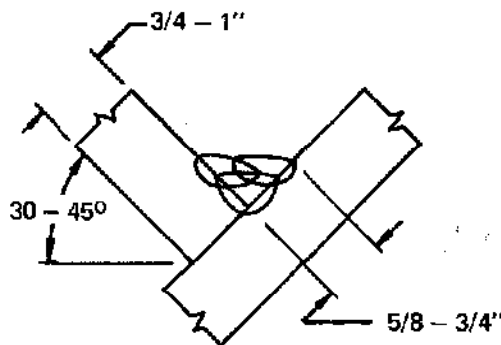


Weld Size, L (in.)	3/16	1/4	5/16	3/8	1/2
Plate Thickness (in.)	1/4	5/16	3/8	1/2	5/8
Pass	1	1	1	1	1
Electrode Size	3/32	3/32	3/32	3/32	3/32
Current (amp) DC(-)	475	550	600	600	600
Volts	37	40	42	42	42
Arc Speed (in./min)	50	36	28	19	11
Electrode Req'd (lb/ft)	0.08	0.13	0.18	0.26	0.46
Flux Req'd (lb/ft)	0.11 - 0.15	0.15 - 0.20	0.20 - 0.27	0.28 - 0.37	0.50 - 0.62
Total Time (hr/ft of weld)	0.00400	0.00556	0.00714	0.0105	0.0182

See introductory notes.

**SUBMERGED-ARC (SEMI-AUTOMATIC) MECHANIZED**

Welding Position: Flat  
 Weld Quality Level: Commercial  
 Steel Weldability: Good



Weld Size, L (in.)	5/8	3/4
Plate Thickness (in.)	3/4	1
Pass	1 - 3	1 - 3
Electrode Size	3/32	3/32
Current (amp) DC(-)	600	600
Volts	42	42
Arc Speed (in./min)	21	15
Electrode Req'd (lb/ft)	0.74	1.05
Flux Req'd (lb/ft)	1.0 - 1.2	1.3 - 1.6
Total Time (hr/ft of weld)	0.0286	0.0400

See introductory notes.

**SUBMERGED-ARC (SEMI-AUTOMATIC) MECHANIZED**

Welding Position: Horizontal Weld Quality Level: Commercial Steel Weldability: Good								
	Weld Size, L (in.)	3/16	1/4	5/16	3/8		1/2	
Plate Thickness (in.)	1/4	5/16	3/8	1/2		5/8		
Pass	1	1	1	1	2	1	2	
Electrode Size	3/32	3/32	3/32	3/32	3/32	3/32	3/32	
Current (amp) DC(-)	450	500	550	500	500	500	500	
Volts	34	36	38	36	36	36	36	
Arc Speed (in./min)	45	32	24	28	28	16.5	16.5	
Electrode Req'd (lb/ft)	0.08	0.13	0.20	0.29		0.49		
Flux Req'd (lb/ft)	0.13 - 0.17	0.18 - 0.23	0.24 - 0.30	0.35 - 0.45		0.60 - 0.75		
Total Time (hr/ft of weld)	0.00445	0.00625	0.00833	0.0143		0.0243		
Electrode Angle, E (deg)	50	50	50	65	40	65	40	

See introductory notes.

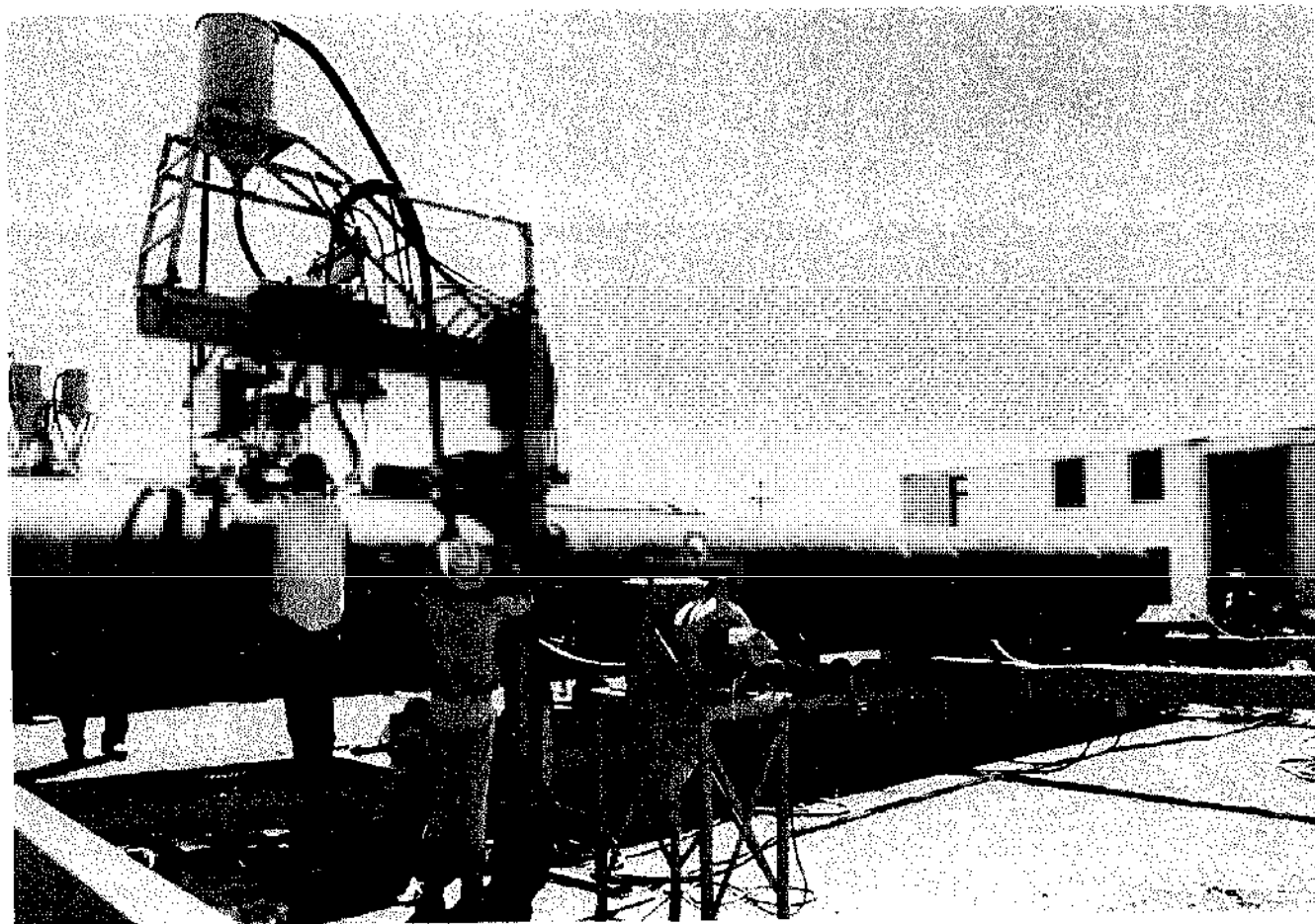
**SUBMERGED-ARC (SEMI-AUTOMATIC) MECHANIZED**

Welding Position: Horizontal Weld Quality: Commercial Steel Weldability: Good								
	Weld Size, L (in.)	5/8			3/4			
Plate Thickness (in.)	3/4			1				
Pass	1	2	3	1	2	3	4	
Electrode Size	3/32	3/32	3/32	3/32	3/32	3/32	3/32	
Current (amp) DC(-)	500	500	500	500	500	500	500	
Volts	36	36	36	36	36	36	36	
Arc Speed (in./min)	17	17	17	16	16	16	16	
Electrode Req'd (lb/ft)	0.78			1.10				
Flux Req'd (lb/ft)	1.1 - 1.3			1.4 - 1.7				
Total Time (hr/ft of weld)	0.0353			0.0500				
Electrode angle, E (deg)	50	60	40	50	65	50	40	

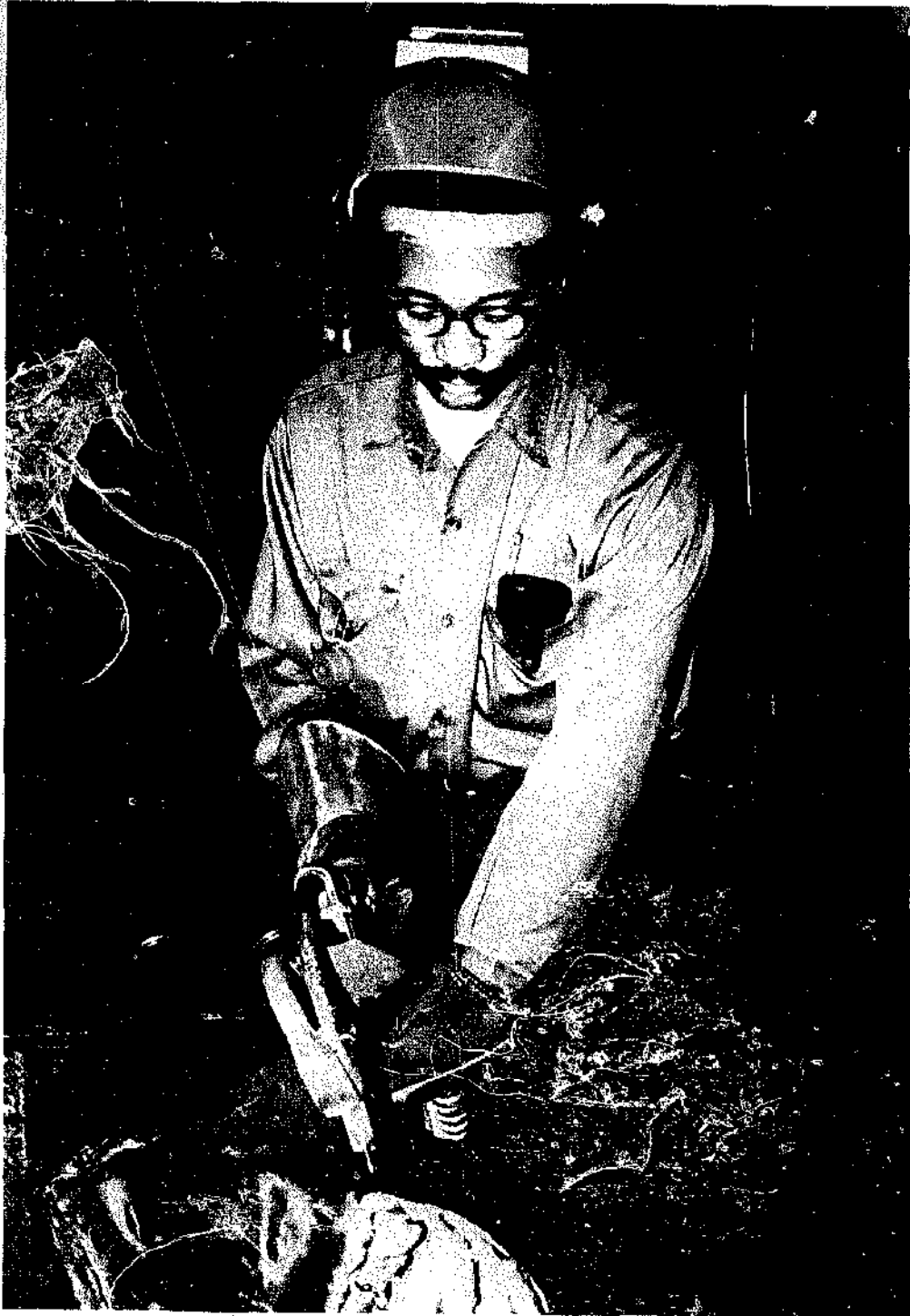
See introductory notes.

**SUBMERGED-ARC (SEMI-AUTOMATIC) MECHANIZED**

Welding Position: Horizontal Weld Quality Level: Commercial Weldability: Good				
Weld Size, L (in.)	3/16	1/4	5/16(-)	5/16(+)
Plate Thickness (in.)	3/16	1/4	5/16	3/8
Pass	1	1	1	1
Electrode Size	3/32	3/32	3/32	3/32
Current (amp) DC(-)	500	500	500	500
Volts	36	36	36	36
Arc Speed (in./min)	50	32	24	20
Electrode Req'd (lb/ft)	0.08	0.13	0.19	0.23
Flux Req'd (lb/ft)	0.14 - 0.18	0.20 - 0.26	0.26 - 0.34	0.30 - 0.38
Total Time (hr/ft of weld)	0.00400	0.00625	0.00833	0.0100



A field installation to double-end pipe with the submerged-arc process.



Operator checking visible stickout on a long stickout gun.

# Welding Carbon and Low-Alloy Steels with the Self-Shielded Flux-Cored Electrode Process

The self-shielded flux-cored electrode process is described in Section 5.3. As noted, the semiautomatic version of it has been finding increased use as a replacement for the manual shielded metal-arc process in the welding of mild and low-alloy steels. Since the process is of more recent origin, weldors are less experienced with it, and sometimes are apprehensive about their abilities to manually weld with a mechanized welding gun. Where the semi-automatic process has been introduced in welding shops, however, it has been found that an experienced weldor learns to handle the gun with a degree of proficiency after about a day of instruction and practice. In a week, he has mastered the art and is capable of bringing to the work the full cost-reduction benefits of semimechanization.

Operators of full-automatic equipment are usually already acquainted with full-mechanization and merely have to adapt to the specific performance characteristics of the process.

Because the process is relatively new — and electrode composition and types were still under development when this handbook was published — data on the process are not so rigidly standardized as with other processes. This is especially true in respect to performance characteristics of the electrodes, which vary not only from classification to classification, but also from manufacturer to manufacturer. For this reason, it is important that the manufacturer's performance data be consulted in making a selection of an electrode for a specific type of joint and welding position. Some electrodes can be used in the flat and horizontal positions only; others perform satisfactorily in all positions.

## ELECTRODE CLASSIFICATION

The AWS A5.20-69 classification for flux-cored arc-welding electrodes of both the self-shielded and

gas-shielded types follows the general pattern used in other AWS filler-metal classifications. Some variations are necessary, however, to accommodate the composite nature of the electrodes.

In a typical designation, E60T-7, the prefix "E" indicates an electrode for electric arc welding, as in other classification systems. The number "60" indicates the minimum as-welded tensile strength is in the range of 60,000 to 69,000 psi. The letter "T" indicates that the electrode is of tubular construction. The suffix "7" designates a particular grouping based upon chemical composition of deposited weld metal, type of current, polarity of operation, whether it can be used with or without gas, and other specific information for the category. The classification system does not define performance characteristics.

The following AWS classifications cover flux-cored electrodes, both self-shielding and those used

TABLE 6-24 Composition Requirements\* for Flux-Cored Electrodes

AWS Classification	Chemical Composition, Max. (%)						
	Mn	Si	Ni	Cr†	Mo†	V†	Al
E60T-7	1.50	0.90	0.50	0.20	0.30	0.08	1.8
E60T-8	1.50	0.90	0.50	0.20	0.30	0.08	1.0
E70T-1	1.75	0.90	0.30†	0.20	0.30	0.08	--
E70T-2	No chemical requirements						
E70T-3	No chemical requirements						
E70T-4	1.50	0.90	0.50	0.20	0.30	0.08	1.8
E70T-5	1.50	0.90	0.30†	0.20	0.30	0.08	--
E70T-6	1.50	0.90	0.80	0.20	0.30	0.08	--
E70T-G	No chemical requirements						

\* Chemical composition requirements are based on the analysis of deposited weld metal.

† These elements may be present, but are not intentionally added.

**TABLE 6-25. Required Tests for Mechanical Properties, Soundness, and Usability of Welds Made by Flux-Cored Electrodes**

AWS Classification	Type of Test Required				
	Radio-graphic	All-Weld Metal Tension	Transverse Tension	Longitudinal Guided-Bend	Charpy V-Notch Impact
E60T-7	Yes	Yes	No	No	No
E60T-8	Yes	Yes	No	No	Yes
E70T-1	Yes	Yes	No	No	Yes
E70T-2	No	No	Yes	Yes	No
E70T-3	No	No	Yes	Yes	No
E70T-4	Yes	Yes	No	No	No
E70T-5	Yes	Yes	No	No	Yes
E70T-6	Yes	Yes	No	No	Yes
E70T-G	No	Note 1	Note 1	No	No

1. If electrode is suitable only for single-pass applications, a transverse-tension test is required; if electrode is suitable for multiple-pass work, an all-weld-metal test is required.

**TABLE 6-26. AWS A5.20-69 Mechanical-Property Requirements for Welds Made with Flux-Cored Electrodes<sup>a</sup>**

AWS Classification	Shielding Gas <sup>b</sup>	Current and Polarity <sup>c</sup>	Tensile Strength min. <sup>f</sup> , psi	Yield Strength at 0.2% Offset, min. <sup>f</sup> , psi	Elongation in 2 inches, min. <sup>f</sup> , psi	Minimum V-Notch Requirements, ft-lb
E60T-7	None	DC, straight polarity	67,000	55,000	22	Not required
E60T-8	None	DC	62,000	50,000	22	20 at 0°F
E70T-1	CO <sub>2</sub>		72,000	60,000	22	20 at 0°F
E70T-2		reverse	72,000	Not required		Not required
E70T-3	72,000		Not required			
E70T-4	None	polarity	72,000	60,000	22	Not required
E70T-5 <sup>g</sup>	CO <sub>2</sub>		72,000	60,000	22	20 at -20°F
E70T-6	None	not spec.	72,000	60,000	22	20 at 0°F
E70T-G	not spec.		72,000 <sup>d</sup>	Not required		Not required
			72,000 <sup>e</sup>	60,000 <sup>g</sup>	22 <sup>e</sup>	

a As welded mechanical properties.

b Shielding gases are designated as follows:

CO<sub>2</sub> = carbon dioxide

None = no separate shielding gas

c Reverse polarity means electrode is positive; straight polarity means electrode is negative.

d Requirement for single-pass electrodes.

e Requirement for multiple-pass electrodes.

f For each increase of one percentage point in elongation over the minimum, the minimum required yield strength or the tensile strength, or both, may decrease 1000 psi, for a maximum reduction of 2000 psi in either the required minimum yield strength or the tensile strength, or both.

g Where CO<sub>2</sub> and None are indicated as the shielding gases for a given classification, chemical analysis pads and test assemblies shall be prepared using both CO<sub>2</sub> and no separate shielding gas.

with gas (see Section 6.5). Required chemical compositions for these electrodes for welding mild and low-alloy steels are shown in Table 6-24; required tests for mechanical properties, soundness, and usability are indicated in Table 6-25; and mechanical-property requirements are listed in Table 6-26.

E60T-7 electrodes are self-shielding and can be

used for single and multiple-pass welds. The weld deposits have high crack resistance.

E60T-8 electrodes are self-shielding and can be used for single and multiple-pass applications in the flat and horizontal positions. The weld deposits have high crack resistance and good notch toughness at 0°F.

**E70T-1** electrodes are designed to be used with CO<sub>2</sub> shielding gas for making single and multiple-pass welds in the flat position and for horizontal fillets.

**E70T-2** electrodes are designed to be used with CO<sub>2</sub> shielding gas and are intended primarily for single-pass welds in the flat position and for horizontal fillets. These electrodes will tolerate a greater amount of surface contamination than the E70T-1 grade.

**E70T-3** electrodes are self-shielding and are characterized by their fast-follow characteristics. They are intended primarily for depositing single-pass, high-speed welds in the flat and horizontal positions on sheet steel and light plate. They should not be used on heavy sections or for multiple-pass welding.

**E70T-4** electrodes are self-shielding and have fast-fill characteristics. They can be used for single and multiple-pass applications in the flat and horizontal positions. These electrodes are characterized by a high deposition rate, low spatter loss, flat to convex bead shape, and easily removed slag. Weld deposits have high crack resistance, even in restrained joints and in plate with high sulfur or carbon content. The weld metal is low in hydrogen, and X-ray quality is achieved with standard procedures. One of the practical advantages of these electrodes is their tolerance of poor fitup.

**E70T-5** electrodes may be used with or without external gas and are primarily designed for flat fillet or groove welds. Horizontal fillet welds can be made satisfactorily, but at lower deposition rates than obtainable with flat groove welds. These electrodes can be used in single-pass applications with minimal surface preparation. Operating characteristics of E70T-5 electrodes include globular transfer, low penetration, slightly convex bead configuration, and a thin, easily removed slag. The weld deposit has good notch toughness at  $-20^{\circ}\text{F}$ .

**E70T-6** electrodes are similar to those of the E70T-5 classification. Chemical composition requirements (Table 6-24) are slightly different, however, because the electrodes are designed for use without externally applied gas.

**E70T-G** electrodes are those flux-cored electrodes that are not included in the preceding classifications. The electrode supplier must be consulted for the characteristics and proper use of these electrodes. They may be designed for multiple-pass work or limited to single-pass applications. E70T-G electrodes are not required to meet chemical, radiographic, bend-test, or impact requirements. They are,

however, required to meet tension-test requirements and all other requirements of this classification.

**Low-alloy flux-cored** electrodes are not separately classified. They are referred to by their equivalent designations in AWS Specification A5.5. All chemical-composition, mechanical-property, soundness-test, and use requirements are to be governed by such specifications (or to be agreed upon between the user and supplier) until a filler-wire specification is approved for low-alloy flux-cored electrodes.

Flux-cored electrode is usually packaged in 60-lb or smaller coils for use on semiautomatic or automatic wire feeders, or in 600-lb drums and 300 and 600-lb reels for use with high-production full-automatic welding equipment.

## PERFORMANCE CHARACTERISTICS OF SELF-SHIELDED FLUX-CORED ELECTRODES

Performance characteristics include such operational features as welding-position capability, deposition rate, penetration, slag covering, and weld spatter. As noted in the introduction, performance characteristics of flux-cored electrodes within a classification can vary with the manufacturer.

Welding-position capability is influenced by weld-puddle size, slag volume, electrode diameter, and current capacity. All self-shielded flux-cored electrodes are capable of flat-position performance. Those with high deposition rates usually produce flat-position welds most economically. As with covered manual electrodes, the small-diameter flux-cored electrodes suitable for downhand welding can also be used to make vertical and overhead welds, but their performance and weld quality will not match that achieved with electrodes specifically designed for out-of-position work.

Typical deposition rates for E70T-4, E70T-G, and E60T-7 self-shielded flux-cored electrodes are given in Table 6-27. The composition of the core and current-carrying capacity of the mild steel sheath influence deposition rates. The electrode's ability to tolerate extended electrical stickout while maintaining the required mechanical properties and quality of weld metal is also a factor that affects deposition rate.

The arc characteristics of the self-shielded flux-cored electrode are primarily responsible for penetration. Changing welding current and electrical stickout within the tolerance limits of the specific electrode will also affect penetration, but the effect is minimal compared to the difference in pene-



**TABLE 6-27. Typical Deposition Rates for Flux-Cored Electrodes**

Current (amp)	Wire Feed Rate (ipm)	Deposition Rate (lb/hr)
<b>E70T-4 Fast-Fill Electrode DC(+)</b>		
<b>1/8-in. diam electrode (0.0279 lb/ft), 2-3/4-in. electrical stickout</b>		
350	130	14.5
400	150	17.5
450	175	20.0
500	200	23.0
550	225	26.5
600	250	30.0
<b>1/8-in. diam electrode (0.0279 lb/ft), 3-3/4-in. electrical stickout</b>		
450	205	25.0
500	260	29.5
550	305	34.5
600	355	39.5
<b>3/32-in. diam electrode (0.0183 lb/ft), 2-3/4-in. electrical stickout</b>		
250	120	10.0
300	150	12.5
350	195	15.5
400	235	18.5
<b>E70T-G (E60T-7) Fast-Follow Electrode* DC(-)</b>		
<b>7/64-in diam electrode (0.0244 lb/ft), 1-1/2-in. electrical stickout</b>		
325	100	10.0
400	145	14.5
450	175	18.0
550	240	25.5
625	300	33.0
<b>3/32-in. diam electrode (0.0190 lb/ft), 1-1/2-in. electrical stickout</b>		
200	75	5.4
300	135	10.2
325	150	11.4
400	210	16.5
450	270	22.0
<b>E70T-G (E60T-7) Fast-Freeze Electrode* DC(-)</b>		
<b>3/32-in. diam electrode (0.0198 lb/ft), 7/8-in. electrical stickout</b>		
225	50	4.5
250	60	5.3
270	67	6.0
325	86	7.8
<b>5/64-in. diam electrode (0.0138 lb/ft), 7/8-in. electrical stickout</b>		
170	55	3.2
220	75	4.5
240	86	5.2
280	102	6.2

\* A versatile electrode suitable for a wide variety of applications. For additional information, request "Innershield® Production Guide" from the Lincoln Electric Company, 22801 St. Clair Avenue, Cleveland, Ohio 44117.

tration of electrodes of different classifications. Electrodes that have a confined arc invariably give deep penetration, as compared to electrodes having the globular, soft-type arc. The need for penetration varies with joint design and precision in fitup.

Slag covering differs primarily in volume and type with the various flux-cored electrodes. Large slag volume is associated with limited-position operation. The type of slag produced by electrodes that give high volume is usually a "friable-porous"

slag or a "dense-solid" slag. Both types perform the desired action of blanketing the molten weld metal, preventing atmospheric contamination as it solidifies, and protecting the solidified weld metal as it cools. Both types are easily removed from welds.

Self-shielded flux-cored electrodes producing low-volume slags are either those particularly suited to vertical and overhead welding or those designed for the high-speed joining of sheet materials. Electrodes designed for out-of-position performance produce a low volume of slag that sets up quickly and is easily removed. The slag produced by the electrodes designed for high-speed sheet-metal welding promotes good wetting action and uniform fusion between the deposit and the base material along the edges of the weld. Such slag has a very dense, glasslike appearance and structure and is difficult to remove.

Weld spatter volume and size vary with arc characteristics. The electrodes that have a confined arc usually have a smaller droplet transfer in the arc stream. The spatter from this type is finer than that produced by the electrodes that have a globular, soft-arc characteristic. Since the deposition efficiencies of flux-cored electrodes are very similar, the spatter volume, although differing considerably in appearance, can be assumed to be approximately the same.

As a group, the self-shielded flux-cored electrodes are practically immune to moisture pickup. No special storage facilities under normal usage are required — a factor that is especially important in field welding where jobsite control of the moisture content is a difficult task with low-hydrogen stick electrodes. Welds produced in the field with flux-cored electrode wire taken directly from the shipping carton are as low or lower in hydrogen as those produced with carefully stored low-hydrogen electrodes. If the electrode wire is rusty, however, the result is the same as if it had picked up moisture, and excessive spatter and weld porosity can occur. In addition, wire feeding becomes difficult and contact tips wear rapidly.

## EQUIPMENT FOR WELDING

The equipment required for self-shielded flux-cored arc welding consists of a power source, a wire-feeder mechanism, and a welding gun or head (see Sections 4.2, 4.3, 4.4, and 5.3).

**Power Sources:** Constant-voltage DC power sources — either transformer-rectifiers or generators — are used for welding with self-shielded flux-cored electrodes. The transformer-rectifier is preferably of the flat-slope type; the DC generator can be either

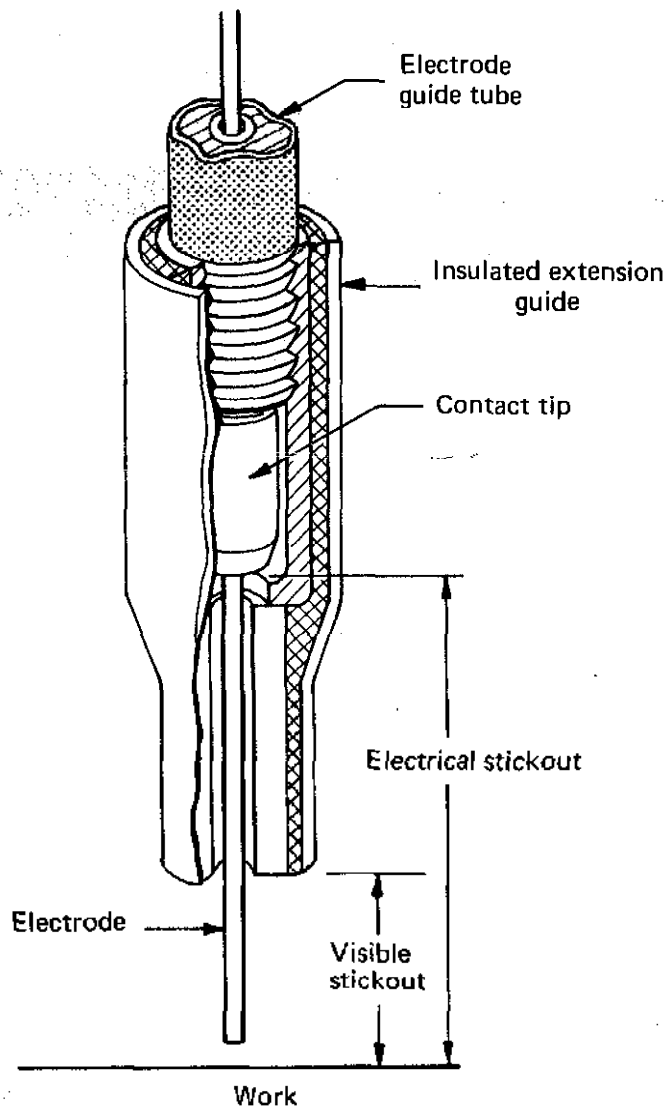


Fig. 6-74. Electrical stickout is the length of electrode wire between the point of electrical contact in a gun or welding head and the arc.

electric-motor-driven or engine-driven (see Section 4.2).

**Wire Feeders:** The wire feeder (see Section 4.3) may be located either at a distance from the arc, as in semiautomatic welding, or just above the nozzle, as in full-automatic welding. In semiautomatic welding, by the use of a wire-feed extension, the feeder may be as much as 45 ft ahead of the coil of electrode and 15 ft behind the welding gun. In this arrangement, the feeder pulls electrode from the coil and pushes it another 15 ft to the gun. In standard operations, electrode is pushed to the semiautomatic gun and pulled to the full-automatic welding head. The wire-feed motor and rolls in a typical full-automatic head are directly above the nozzle, and the electrode is pulled from a reel that rides on the travel carriage with the welding head.

Some wire-feeding units for semiautomatic flux-cored electrode welding can also be used with semi-automatic submerged-arc welding — or, vice versa. Manufacturers of such equipment provide the basic units with an optional flux-tank, so that they are usable either for the submerged-arc or open-arc process.

**Welding Guns:** Welding guns for semiautomatic work (see Section 4.3) should be light and maneuverable to facilitate sustained high-speed work. They should be equipped with a small guide tip for reaching into deep grooves. Guns are made in light, medium, and heavy-duty models, with different ampere ratings and to accommodate different electrode diameters. Electrical contact is made within the nozzle of the gun, and the electrode is electrically “cold” until the trigger is pressed. A shield protects the operator’s hand from excessive heat and sparks on medium and heavy-duty guns..

Nozzles for full-automatic self-shielded arc welding are also available in light, medium, and heavy-duty types, with optional water-cooling attachments for heavy work.

**Electrical Stickout Guide Tips:** The procedures for self-shielded flux-cored arc welding specify electrical stickout along with electrode type and diameter and current and voltage ranges. Thus, the procedures for a typical 1/8-in. E70T-4 electrode wire may prescribe a current range of 325 to 600 amp at 28 to 35 volts with a 2-3/4-in. electrical stickout, or a current range of 400 to 600 amp at 34 to 37 volts with a 3-3/4-in. electrical stickout. Amount of electrical stickout must, therefore, be selected in advance of the welding, along with the type and size of electrode.

A long electrical stickout (Fig. 6-74) — the distance from the arc to the point of electrical contact — increases deposition rate by preheating the wire before it is melted at the arc. Effects on welding costs can be significant; deposition rates can increase by as much as 50%. With the various flux-cored electrodes, the electrical stickouts prescribed in procedures range from 3/4 to 3-3/4-in. Use of the 3-3/4-in. stickout is generally limited to 5/16-in. and larger leg-size flat fillets, multiple-pass flat fillets, and flat deep-groove butt welds.

The specified electrical stickouts are obtained by using the proper guide tip and visible stickout on the welding gun. Thus, a medium-length guide tip and a 1-3/8-in. visible stickout provide a 2-3/4-in. electrical stickout, and a long (3-3/8-in.) guide tip and a 1-3/8-in. visible stickout produce a 3-3/4-in. stickout. When changing from a medium guide tip to a

long guide tip for a 3-3/4-in. stickout with E70T-4 electrode, the voltage must be increased two to three volts to obtain a good flat bead, along with an increase in the current setting, which increases the wire-feed speed. The need for increases in current and voltage is shown by the higher ranges specified in the procedures.

A guide tip is not usually used with fill-freeze and fast-freeze electrodes, and electrical stickout is limited. The normal stickout with these electrodes is 3/4 to 1-in., although sound welds can be made with the fill-freeze types with stickouts from 5/8 to 1-1/2-in. The longer stickouts are used for making horizontal butt welds and for handling poor fitup.

### SEMI-AUTOMATIC OPERATING TECHNIQUES

Before welding, control settings should be checked carefully. Control settings should be within the range specified by the procedures, and adjusted according to past experience with the specific joint. Drive rolls and wire guide tubes should be correct for the wire size, and drive-roll pressure should be adjusted according to the manufacturer's instruction. The wire feeder and power source should be set for constant-voltage output. The gun, cable, and nozzle contact tip should be correct for the wire size and for the stickout.

**Starting the Arc:** To start the arc, the electrode is "inched" out beyond the nozzle to the visible stickout recommended for the electrode size and guide tip. The tip of the electrode is positioned just off, or lightly touching, the work, and the trigger is pressed to start the arc. The electrode should not be pushed into the joint as it burns away, as in stick-electrode welding, since the mechanical feed will take care of advancing the electrode. Welding is stopped by releasing the trigger or quickly pulling the gun from the work. The instruction manual with the specific wire feeder usually gives specific recommendations on setting feed speed and open-circuit voltage to facilitate starting.

When a long electrical stickout is to be used, it is best to start with a visible stickout of about 1/2-in., and increase the visible stickout to the specified amount after the arc has been established.

**Accommodating Poor Fitup:** As noted in Section 5.3, one of the advantages of flux-cored electrode welding is the ability to handle poor fitup. With a fast-fill electrode poor fitup can be accommodated by increasing the visible stickout to as much as 3-in. Pulling the gun away from the work to increase the visible stickout reduces the current, and

thus the penetration, and helps to avoid burn-through. After a poor fitup area has been traversed, normal stickout should be used for the remainder of the joint. This method of controlling penetration should be used only with the short guide tip.

With the fill-freeze electrodes, poor fitup can be handled by reducing the welding current to the minimum value specified in the procedures. Increasing the stickout to 1-1/2-in. also helps to reduce penetration and burnthrough.

**Removing Slag:** Slag removal is easy in most self-shielded flux-cored electrode welding. In heavy fast-fill work, the slag often curls up and peels off behind the welding gun. Otherwise, a light scrape with a chipping hammer or wire brush is usually all that is needed to dislodge the slag.

Slag is occasionally trapped on 90° vertical welds or in a downhand convex bead. Entrapment can be avoided by proper bead location and drag angle and by using a smooth, even travel speed to insure good bead shape.

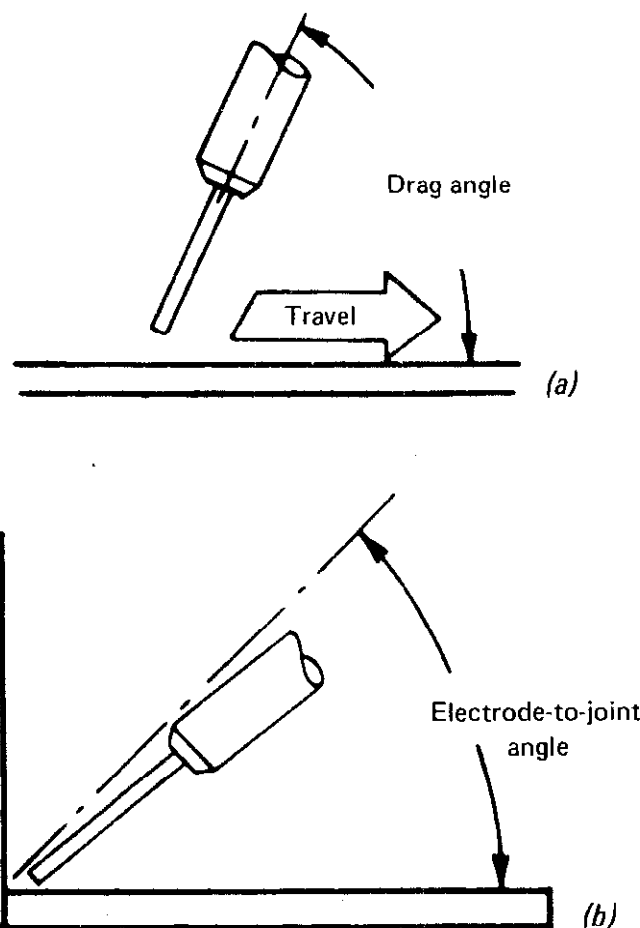
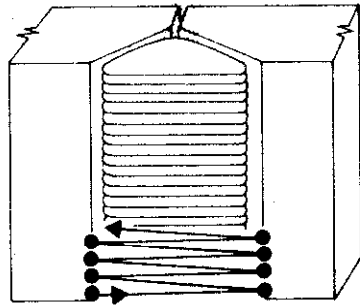


Fig. 6-75. The drag angle (a) and the electrode-to-joint angle (b) are variables that affect performance and weld appearance.

### Butt Welds, Including Pipe First Two Passes with Stick Electrode

1. Make a distinct hesitation at the outer edges of bevel.
2. Minimize each upward step. Do not step up at the edges; come straight out from the hesitation point, and move up across the weld.



### Fillet and Lap Welds 5/16-in. and Larger

1. FIRST PASS: Use a triangular weave with a hesitation at the outer edges.
2. SECOND PASS: Use a side-to-side weave similar to that used for butt welds. The previous bead should have a face width of 5/16 to 3/8-in. before weave is started.
3. Make welds smaller than 5/16-in. with vertical-down techniques.

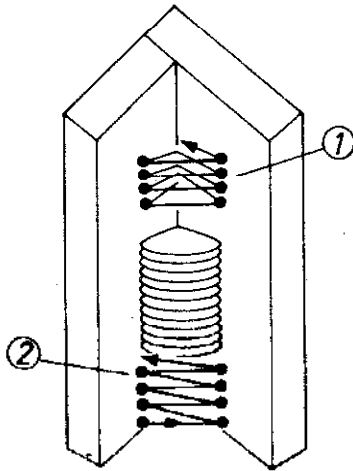


Fig. 6-76. Techniques for vertical-up and overhead welding with E70T-G electrodes.

**Electrode Position:** The drag angle is the angle between the electrode center line and the seam center line in the direction of travel, as illustrated in Fig. 6-75(a). The desired drag angle is approximately the same as in stick-electrode welding. If slag tends to run ahead of the arc, the drag angle should be decreased.

For best bead shape on most 5/16-in. and larger horizontal fillets, the electrode should point at the bottom plate, as illustrated in Fig. 6-75(b), and the angle between the electrode and bottom plate should be less than  $45^\circ$ . With this arrangement, the molten metal washes up onto the vertical plate. Pointing the electrode directly into the joint and using a  $45$  to  $55^\circ$  angle will decrease root-porosity problems, if they occur, but may produce spatter and a convex bead.

For 1/4-in. and smaller fillets, the wire should be pointed directly into the joint and the electrode angle held at about  $40^\circ$ .

When a follow-freeze electrode is used on sheet or thin plate, arc striking is best accomplished by starting with a 1/2-in. visible stickout and increasing it slowly to 1-in. Welding should be done with a

stringer bead technique in all positions, with a steady travel speed. A steady speed is important; hesitation is likely to cause burnthrough, with metal sag developing on the underside of the joint and porosity in the weld.

Fitup with light material should be tight, although a small gap on 12-gage to 3/16-in. steel can be handled by reducing the current and voltage about 10%. A steady whip or weave may help, but these motions should not be overdone.

The light slag on thin-gage material adheres tightly, but does not have to be removed. A wipe with a weak acid solution before painting will neutralize the weld area and remove smoke deposits.

For out-of-position welding with E70T-G electrode, best results are obtained by positioning the work downhill or vertical-down. Stringer beads should be used, with the current settings in the middle to high portion of the range. The gun should be tipped in the direction of travel so that the arc force helps hold the molten metal in the joint.

In vertical-up and overhead welding with fill-freeze electrodes, low-hydrogen techniques, as opposed to E6010 techniques, should be used. Whipping, breaking the arc, moving out of the puddle, or moving too fast in any direction should be avoided. Currents should be in the low portion of the range. Figure 6-76 shows general techniques for vertical-up and overhead work.

In full-automatic welding with self-shielded flux-cored electrodes, the work position angle, electrode-to-joint angle, and electrode drag angle are critical. Figure 6-77 shows how electrode angles and off-center circumferential distances vary for roundabout butt and lap welds in cylindrical assemblies from 3 to 30-in. in diameter.

## OPERATING VARIABLES

Four major variables affect welding performance with flux-cored electrodes: arc voltage, current, travel speed, and electrical stickout. These variables are interdependent, and, if one is changed, one or more of the other three usually require adjustment.

Arc voltage variations, with current, travel speed, and electrical stickout held constant, produce these effects:

1. A high arc voltage produces a wider and flatter bead.
2. An excessive arc voltage may produce a porous weld.

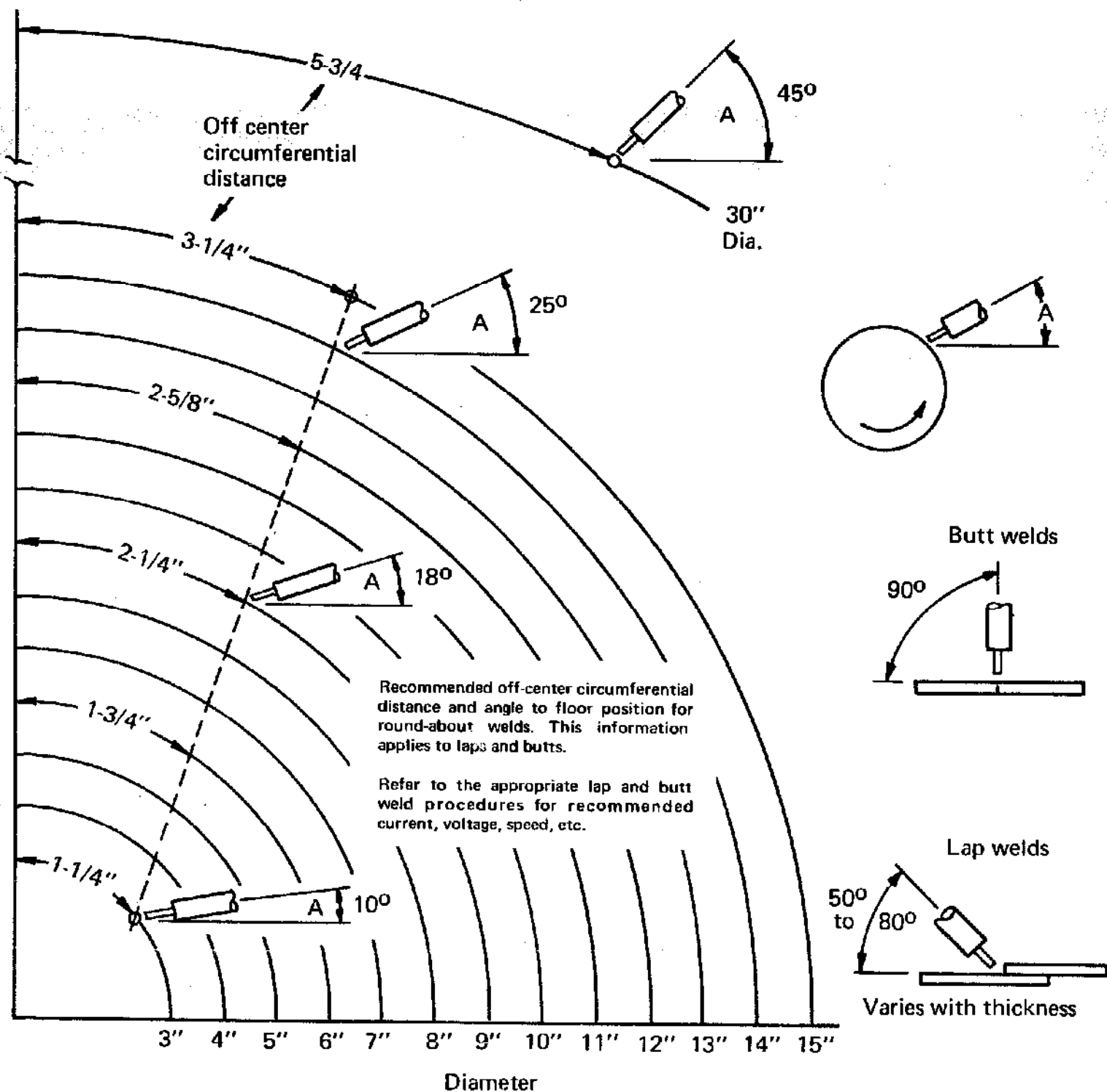


Fig. 6-77. Variations in electrode angle (a) and off-center circumferential distance when making roundabout butt and lap welds in cylindrical assemblies by full-automatic flux-cored welding.

3. A low voltage tends to cause a convex, ropey bead.
4. Extremely low voltage may produce a tendency for the wire to stub on the plate. The wire may dive through the molten metal

and strike the joint bottom, pushing the gun up.

In most applications, a good bead shape is obtained by using the highest voltage possible without causing porosity. With higher currents, higher

voltages can be used without causing porosity.

**Current** variations, when arc voltage, travel speed, and electrical stickout are held constant, have the following effects:

1. Increasing current increases melt-off and deposition rates.
2. Excessive current produces convex beads, resulting in poor appearance and wasted weld metal.
3. Too low current gives a droplet transfer, with reduced penetration.

As current is increased, arc voltage must also be increased to maintain good bead shape. Increased current also increases the maximum voltage that can be used without porosity occurring.

**Travel speed**, assuming the other variables are held constant, can have the following effects:

1. Excessive travel speed increases the convexity of the bead and causes uneven edges.
2. Too slow a travel speed results in slag interference and inclusions and a rough, uneven bead.

Travel speed is always faster with self-shielded flux-cored electrodes than with stick electrodes — to accommodate the higher deposition rates. The beginning operator with the semiautomatic process will tend to move too slow because of his experience with stick-electrode welding. As in all other welding processes, travel speed should be that necessary to handle the molten metal and slag and produce the desired weld size.

**TABLE 6-28. Trouble-Shooting Adjustments for Welding with Flux-Cored Electrodes**

Problem	Solution*				
	Current	Voltage	Speed	Stickout	Drag Angle
Porosity	5↑	1↓	4↓	2↑	3↑
Spatter	4↓↑	1↑	5↓	3↓	2↓
Convexity	4↓	1↑	5↓	2↓	3↑
Back Arc Blow	4↓	3↓	5↓	2↑	1↑
Insufficient Penetration	2↑	3↓	4↑	1↓	5↑
Not Enough Follow	4↑	1↓	5↓	2↑	3↑
Stubbing	4↓	1↑		3↓	2↓

\* Arrows indicate the need to increase or decrease the setting to correct the problem. Numbers indicate order of importance.

† With E70T-G electrodes, increasing the current reduces droplet size and decreases spatter.

Uniformity in travel speed is important. It is accomplished by maintaining a uniform distance between the wire and the molten slag behind the wire.

**Electrical stickout** variations, with the other variables held constant, have the following effects:

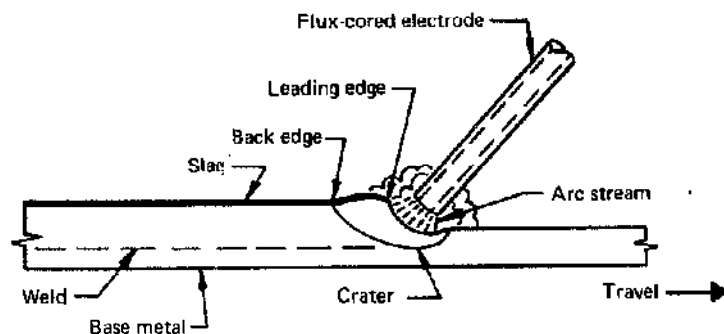
1. Increasing the stickout decreases the welding current and vice versa.
2. Increasing the stickout lowers the actual voltage across the arc. Lower arc voltage increases the convexity of the bead and reduces the tendency for porosity.
3. Short stickout gives greater penetration than long stickout.

Obviously, a proper balance of the four variables is necessary for the best performance. Table 6-28 summarizes the adjustments to be made when trouble is encountered.

## FULL-AUTOMATIC OPERATING TECHNIQUES

In full-automatic welding, the weld puddle provides a good index to performance. The puddle should be formed as illustrated in Fig. 6-78 at the start of the weld. Amount of molten metal present and amount and direction of the arc force are two principal factors that influence puddle shape. Sufficient molten metal must be available to form the puddle, and the puddle must follow smoothly behind the arc. A puddle with a sharp leading edge (as shown in the figure) is to be expected in downhill welding as a consequence of the arc force plus the force of gravity.

Following smoothly requires that the distance between the arc and the front edge of the puddle remain constant as welding progresses. With a smooth follow, metal freezes at the back edge at the



**Fig. 6-78.** A properly formed weld puddle when full-automatic welding.

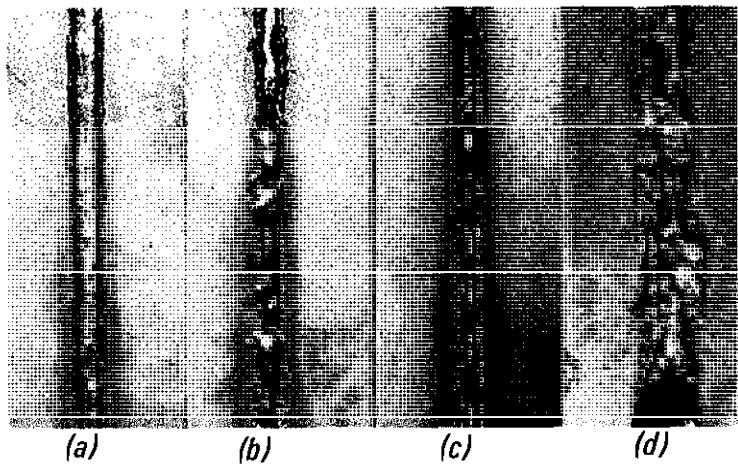


Fig. 6-79. Weld beads formed by full-automatic flux-cored welding. Properly formed bead is shown at (a). The bead in (b) shows lack of follow; the leading edge has been blown back into the puddle. The bead at (c) shows what happens when lack of follow results from excessively high speed or low current. In (d), follow has been too close, as a result of slow speed, high current, or high downhill angle.

same rate that new metal is added to the leading edge, and the finished weld is uniform, as illustrated in Fig. 6-79(a).

Lack of follow occurs when a stable leading edge of good shape does not form. When this happens, the puddle follows the arc irregularly, and the weld is thin, irregular, and may have open spots.

In some instances of lack of follow, the leading edge of the weld puddle begins to form after the weld progresses, but the arc force then blows it back into the puddle. The weld is irregular in appearance, as shown in Fig. 6-79(b). The weld builds up from a low, thin bead to a lump at the point where the leading edge was blown back into the puddle. The lump is followed by an open spot in the weld.

The primary causes for lack of follow are insufficient molten metal or too small a downhill angle. The downhill angle is the angle between the horizontal and the joint being welded. With the E70T-3 electrodes in full-automatic welding, welding downhill greatly aids in the proper formation of the weld puddle. Fixtures for full-automatic welding with these electrodes should be made so that the work angle is adjustable. Because of gravity, the weld puddle tends to flow down the workpiece when welding downhill. The arc force holds the metal back in the puddle. Proper interaction of the two forces provides a good weld puddle with a sharp leading edge.

Lack of follow can often be corrected by increasing the downhill angle. Reducing the angle helps keep the puddle from following the arc too closely. Lack of follow can also result from exces-

sively high speed or low current. Figure 6-79(c) illustrates the effects on the weld bead.

Following too closely occurs when the weld puddle flows into the arc and touches the end of the electrode. The resulting short-circuit current blasts the metal away in a shower of spatter, leaving unfilled spots in the weld. The finished weld is wide and irregular, as shown in Fig. 6-79(d). Too much molten metal or insufficient arc force to hold the leading edge in place, as well as excessive downhill angle, can also cause this condition.

The drag angle (Fig. 6-75) also affects welding performance and bead shape in full-automatic welding. The proper drag angle prevents spatter at high travel speeds; the higher the travel speed, within limits, the lower the angle. Reducing the drag angle causes a small increase in the arc force and reduced penetration. Changing the drag angle, however, to correct welding defects should be regarded as a fine adjustment, to be used only after travel speed, work angle, and current are adjusted. Figure 6-80 illustrates the effect of drag angle on bead appearance.

Travel speed is important in full-automatic welding with fast-follow self-shielded flux-cored electrodes to get the proper formation of weld puddle. Lack of follow is corrected by decreasing travel speed. This permits the build-up of the larger pool of molten metal necessary to form a weld puddle with a sharp leading edge. Overflow is corrected by increasing travel speed, which reduces the puddle size so that the leading edge does not become so heavy that it overpowers the arc force.

Travel speed also affects penetration. Generally,

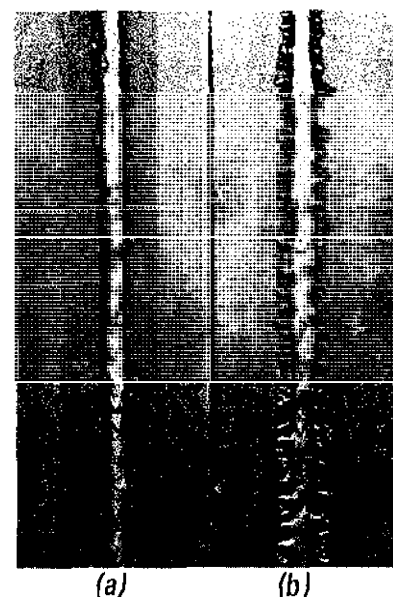


Fig. 6-80. Effect of drag angle on bead appearance. Bead at (a) was produced by proper drag angle; bead at (b) resulted from too large a drag angle.

the slower the travel speed, the deeper the penetration. When travel speed is reduced, the welding current may also have to be reduced to prevent burn-through, particularly with fast-follow electrodes.

**Welding current** affects both penetration and melt-off rate. Current should be sufficient to produce the desired penetration without burning through. Where penetration is not critical, the current can be adjusted to form a good weld puddle. Increasing current increases the melt-off rate and, therefore, the amount of metal supplied to the puddle. Higher current also increases the arc force. The current used must, however, be within the prescribed range for the electrode type and size. Excessively high currents produce undercut and an erratic arc. Low currents produce an unstable arc.

If porosity occurs in welds made with full-automatic equipment, lowering the voltage to several volts below the specified minimum will show whether excessive voltage is the cause. If the porosity does not disappear, back blow or contamination of the joint or electrode wire by water, rust, oil, or dirt should be checked as possible causes.

### Vertical-Up Automatic Welding Technique

Techniques have been developed to weld steel plates 1/2 to 3-in. thick in the vertical position with self-shielded flux-cored electrode.

The plates are assembled with a simple square edge butt joint and welded in the vertical position. The edges of the plates are spaced about 1/2-in. or more to allow entry of the welding electrode. Water-cooled copper dams are applied to each side

of the joint so the dams and the edges of the plates form a cavity into which the weld metal is deposited. As the cavity fills the electrode nozzle, copper dams, and all the electrode feeding mechanism and controls move upward. For plates up to 1-1/4-in. thick, the electrode position remains fixed but for thicker plate the electrode oscillates back and forth across the seam to fuse the entire cross-section of the joint.

The square edge preparation can be modified to allow a small included angle. This permits easier access for the electrode and nozzle. Another modification is to use a steel or copper backing on one side and only one sliding dam.

A special self-shielded flux-cored electrode is required for the vertical-up technique in order to obtain sound welds with mechanical properties that will meet the code requirements. Consult the electrode supplier for the proper electrode.

The advantages of this technique are:

High deposition rates with no interruptions to change electrodes.

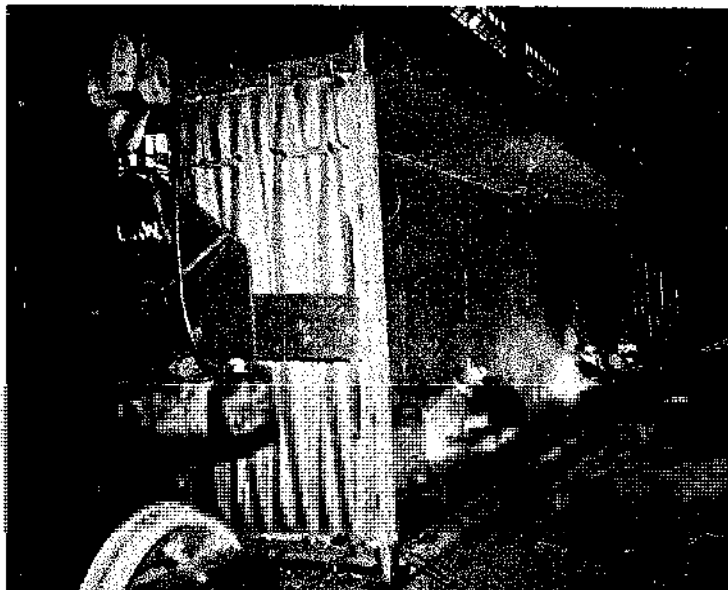
Welding speeds of 6-in. per minute on 3/4-in. plate and 4-1/2-in. per minute on 1-1/4-in. plate.

Electrode is self-shielding, no external gas supply needed.

Inexpensive plate preparation.

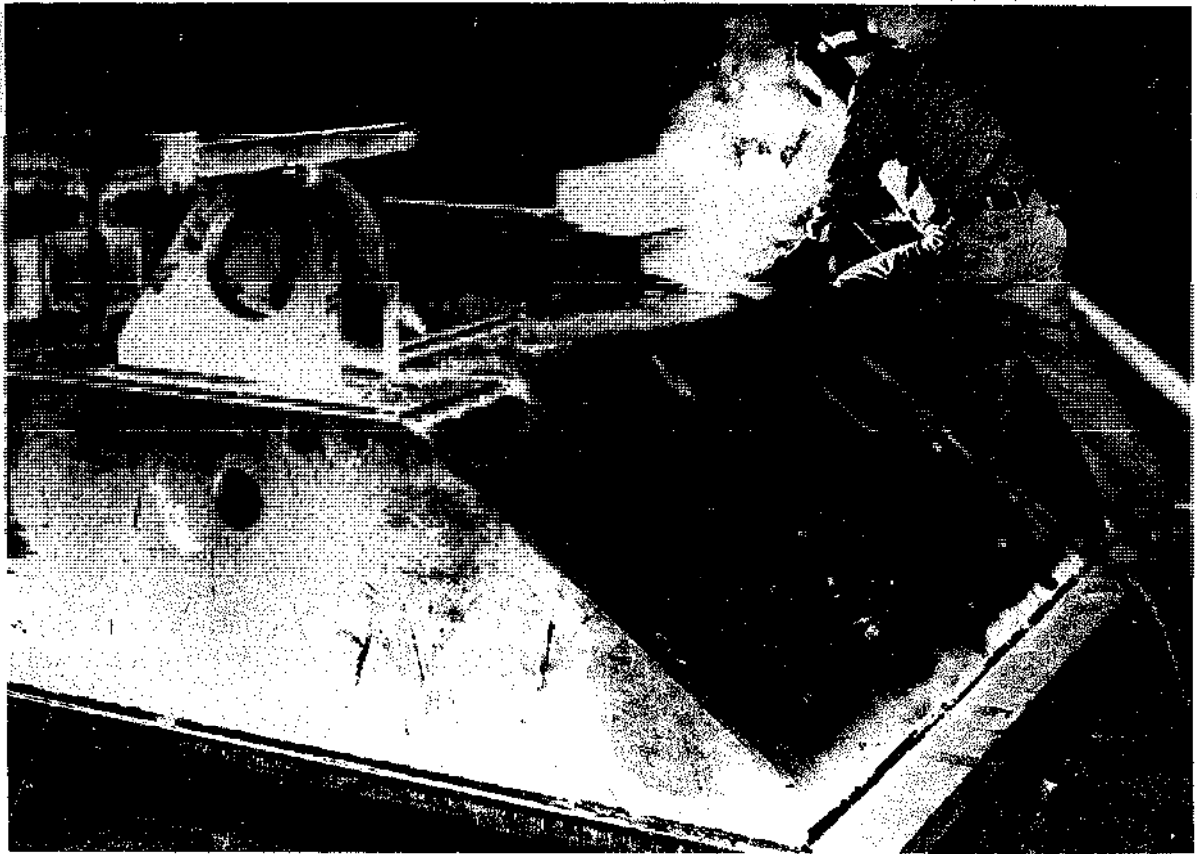
X-ray quality welds.

Good mechanical properties.



Welding hopper cars with the self-shielded flux-cored electrode process.





Joining heavy plate that is a part of a turntable for automatic roll-changing equipment used in a hot strip mill. Self-shielded flux-cored electrode is used.



A reduction in fabricating cost resulted from using the self-shielded flux-cored electrode process to weld snow-plow blades.

## INTRODUCTION TO WELDING PROCEDURES

The ideal welding procedure is the one that will produce acceptable quality welds at the lowest over-all cost. So many factors influence the optimum welding conditions that it is impossible to write procedures for each set of conditions. In selecting a procedure, the best approach is to study the conditions of the application and then choose the procedure that most nearly accommodates them. The procedures given here are typical, and it may be necessary to make adjustments for a particular application to produce a satisfactory weld.

For some joints, different procedures are offered to suit the weld quality — code quality, commercial quality, and strength only — that may be required.

### Code-Quality Procedures

Code quality procedures are intended to provide the highest level of quality and appearance. To accomplish this, conservative currents and travel speeds are recommended.

These procedures are aimed at producing welds that will meet the requirements of the commonly used codes: AWS Structural, AISC Buildings and Bridges, ASME Pressure Vessels, AASHO Bridges, and others. Code quality welds are intended to be defect-free to the extent that they will measure up to the nondestructive testing requirements normally imposed by these codes. This implies crack-free, pressure-tight welds, with little or no porosity or undercut.

The specific requirements of these codes are so numerous and varied that code quality procedures may not satisfy every detail of a specific code. Procedure qualification tests are recommended to confirm the acceptability of chosen procedures.

All butt welds made to code quality are full penetration; fillet welds are full size, as required by most codes. (The theoretical throat rather than the true throat is used as the basis of calculating strength.)

### Commercial-Quality Procedures

Commercial quality implies a level of quality and appearance that will meet the nominal require-

ments imposed on most of the welding done commercially. These welds will be pressure-tight and crack-free. They will have good appearance, and they will meet the normal strength requirements of the joint.

Procedures for commercial-quality welds are not as conservative as code quality procedures; speeds and currents are generally higher. Welds made according to these procedures may have minor defects that would be objectionable to the more demanding codes.

It is recommended that appropriate tests be performed to confirm the acceptability of the selected procedure for the application at hand prior to putting it into production.

### Strength Only Procedures

The purpose of strength-only procedures is to produce the highest speed welding at the lowest possible cost. To accomplish this, the weld appearance and quality need only be good enough to do the specific job for which it is intended. In this category, defects and imperfections may be acceptable provided that the welds will perform satisfactorily under service conditions.

This quality level may apply to seal beads, partial-penetration welds, some lap welds, high-speed edge welds, and to many low-stress welded connections which have no real need for better quality at higher cost. On fillet welds the joint must be welded from both sides.

Since this is a compromise quality level, realistic tests should be made to confirm the satisfactory performance of welds made according to these procedures. Welds of strength-only quality will be free of cracks but may not be pressure-tight.

### Weldability of Material

Weldability (see Section 6.1) of a steel has a considerable effect on the welding procedure.

Good weldability indicates a steel with a composition that is within the preferred range (see Table

6-1) — one whose chemistry does not limit the welding speed.

Fair weldability indicates a steel with one or more elements outside the preferred range or one that contains one or more alloys. These steels require a lower welding speed or a mild preheat, or both, to minimize defects such as porosity, cracking, and undercut.

The addition of alloys to steel that enhance the mechanical properties or hardenability usually have an adverse effect on weldability. In general, the weldability of low-alloy steels is never better than "fair."

### Procedure Notes

In the following tables, procedures for some joints are given for two different electrode sizes. The smaller electrode provides greater flexibility and operator comfort at some sacrifice in welding speed.

It is important to control the arc voltage within the range specified in the procedures. These voltages do not allow for poor electrical or ground connections or for undersize welding cables. Such faulty conditions should be corrected rather than compensating by increasing the arc voltage.

The following procedures have been developed with electrodes having these specific characteristics:

**E60T-7.** An all position, fast-freeze type electrode. This E60T-7 electrode has good low temperature impact properties although impact properties are not required by the AWS specification.

**E70T-3.** A high degree of fast-follow characteristic is necessary in order to obtain the travel speeds specified in the procedures. In general, the E70T-3 electrodes are designed for single pass welds on 10 gage and thinner steel. On 3/16-in. and thicker steel the ductility of the E70T-3 weld metal is reduced and should be thoroughly tested to verify the suitability of the weld metal for service requirements.

**E70T-4.** This electrode is capable of operating with long electrical stickout and, as a result, has a high deposition rate. Penetration is low and will tolerate a large degree of poor fitup. The deposit is very crack resistant on high sulfur steel and can be

used where other electrodes are not satisfactory.

**E70T-G.** The procedures have been developed using two different E70T-G electrodes. Both of these electrodes meet the same mechanical property requirements but have somewhat different operating characteristics:

1. An all-position fast-freeze electrode especially suitable for making groove and fillet welds in the vertical position.
2. A fast-follow type electrode with good penetration capability. The penetration beyond the corner of a fillet weld could permit the reduction in the fillet to one size smaller without reducing the strength of the joint.

Since the self-shielded flux-cored welding process is a relatively recent development, new electrodes will appear on the market that may offer significant improvement over electrodes being manufactured at the time of this printing. Consult with the supplier. Also, when ordering an electrode to an AWS specification, discuss with the supplier the required operating characteristics for the particular application.

In the following fillet weld procedures, the fillet size is always associated with a particular plate thickness. This relationship is given solely for the purpose of designing a welding procedure and does not imply that a certain size fillet is the only size applicable to that plate thickness. In some of the procedures, the fillet size shown is larger than necessary to meet code requirements for the plate thickness. In such instances, select the procedure for the proper weld size and quality. If the thickness of the plate being welded is appreciably greater than that specified in the procedure, a reduction in welding speed and current will probably be required.

Travel speed is given as a range; however, the electrode required and the total time are based on the middle of the range.

Unless otherwise indicated, both members of the joint are the same thickness.

Pounds-of-electrode data include all ordinary deposition losses. These values are in terms of pounds of electrode needed to be purchased.

Total time is the arc time only and does not allow for operating factor.

Each procedure specifies the recommended stickout. This stickout is always the electrical stickout as discussed earlier in this section.

The drag angle is the angle between the center line of the electrode and a line perpendicular to the



seam and inclined toward the direction of travel.

After a satisfactory welding procedure has been established, all the data should be recorded and filed for future reference. This information is invaluable if the same job or a similar job occurs at a later date. A suggested data sheet is shown on previous page.

The presented procedures are offered as a start-

ing point and may require changes to meet the requirements of specific applications. Because the many variables in design, fabrication, and erection or assembly affect the results obtained in applying this type of information, the serviceability of the product or structure is the responsibility of the builder.

**FLUX-CORED ARC WELDING (FULL AUTOMATIC) SELF-SHIELDED**

Welding Position: Flat Weld Quality Level: Strength only Steel Weldability: Good					
Plate Thickness (in.)	0.060 (16 ga)	0.075 (14 ga)	0.105 (12 ga)	0.135 (10 ga)	3/16
Pass	1	1	1	1	1
Electrode Class	E70T-3	E70T-3	E70T-3	E70T-3	E70T-3
Size	3/32	1/8	1/8	5/32	5/32
Current (amp) DC(+)	425	575	625	850	875
Volts	25 - 26	25 - 26	25 - 26	25 - 26	25 - 26
Arc Speed (in./min)	210	150	125	110	95
Electrode Req'd (lb/ft)	0.016	0.025	0.037	0.064	0.078
Total Time (hr/ft of weld)	0.000953	0.00134	0.00160	0.00182	0.00210
Electrical Stickout (in.)	1	1-1/8	1-1/8	1-1/4	1-1/4
Angle, A (deg)	55	60	60	60	60

**FLUX-CORED ARC WELDING (FULL AUTOMATIC) SELF-SHIELDED**

Welding Position: Flat Weld Quality Level: Commercial Steel Weldability: Good Welded from: One side						
Plate Thickness (in.)	0.048 (18 ga)	0.060 (16 ga)	0.075 (14 ga)	0.105 (12 ga)	0.135 (10 ga)	3/16
Pass	1	1	1	1	1	1
Electrode Class	E70T-3	E70T-3	E70T-3	E70T-3	E70T-3	E70T-3
Size	3/32	3/32	1/8	1/8	5/32	5/32
Current (amp) DC(+)	425	475	650	700	900	950
Volts	24 - 25	25 - 26	25 - 26	25 - 26	25 - 26	26 - 27
Arc Speed (in./min)	225	200	150	120	100	75
Electrode Req'd (lb/ft)	0.015	0.020	0.032	0.046	0.078	0.117
Total Time (hr/ft of weld)	0.000890	0.00100	0.00134	0.00167	0.00200	0.00267
Electrical Stickout (in.)	1	1	1-1/8	1-1/8	1-1/4	1-1/4
Steel Backing, minimum	16 ga	16 ga	14 ga	12 ga	10 ga	3/16"
Gap (in.)	1/32	3/64	1/16	1/16	3/32	1/8
Angle, A (deg)	50	50	55	60	60	60

**FLUX-CORED ARC WELDING (FULL AUTOMATIC) SELF-SHIELDED**

Welding Position: Horizontal  
 Weld Quality Level: Commercial  
 Steel Weldability: Good

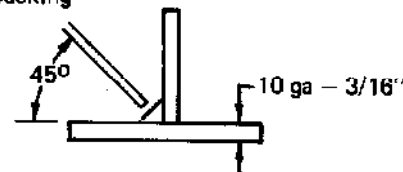
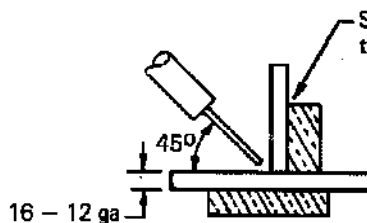
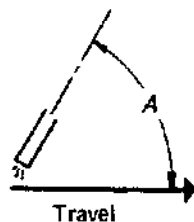


Plate Thickness (in.)	0.060 (16 ga)	0.075 (14 ga)	0.105 (12 ga)	0.135 (10 ga)	3/16
Pass	1	1	1	1	1
Electrode Class	E 70T-3	E 70T-3	E 70T-3	E 70T-3	E 70T-3
Size	3/32	3/32	1/8	5/32	5/32
Current (amp) DC(+)	375	425	600	775	825
Volts	24 - 25	25 - 26	24 - 25	25 - 26	26 - 27
Arc Speed (in./min)	160	125	90	90	90
Electrode Req'd (lb/ft)	0.018	0.027	0.046	0.068	0.074
Total Time (hr/ft of weld)	0.00125	0.00160	0.00222	0.00222	0.00222
Electrical Stickout (in.)	1	1	1-1/8	1-1/4	1-1/4
Angle, A (deg)	45	50	50	60	60

**FLUX-CORED ARC WELDING (FULL AUTOMATIC) SELF-SHIELDED**

Welding Position: Horizontal  
 Weld Quality Level: Commercial  
 Steel Weldability: Good

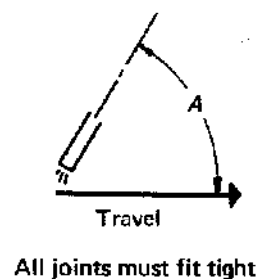
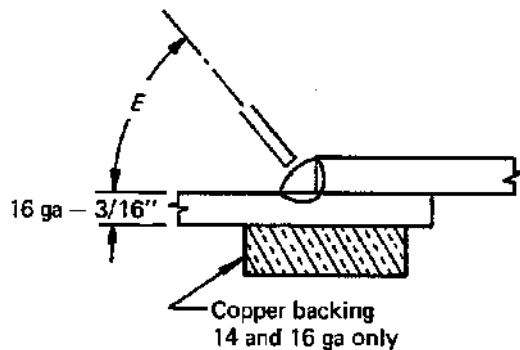


Plate Thickness (in.)	0.060 (16 ga)	0.075 (14 ga)	0.105 (12 ga)	0.135 (10 ga)	3/16
Pass	1	1	1	1	1
Electrode Class	E 70T-3	E 70T-3	E 70T-3	E 70T-3	E 70T-3
Size	3/32	1/8	1/8	5/32	5/32
Current (amp) DC(+)	475	600	625	800	825
Volts	25 - 26	25 - 26	25 - 26	25 - 26	25 - 26
Arc Speed (in./min)	200	150	110	95	80
Electrode Req'd (lb/ft)	0.019	0.028	0.041	0.066	0.083
Total Time (hr/ft of weld)	0.00100	0.00134	0.00182	0.00210	0.00250
Electrical Stickout (in.)	1	1-1/8	1-1/8	1-1/4	1-1/4
Angle, E (deg)	70	65	60	50	45
Angle, A (deg)	55	55	55	60	60

**FLUX-CORED ARC WELDING (FULL AUTOMATIC) SELF-SHIELDED**

Welding Position: Vertical up Weld Quality Level: Code Steel Weldability: Good or fair  Consult electrode supplier for design of copper shoes.			
Plate Thickness (in.)	3/4	1	1-1/4
Pass	1	1	1
Electrode Class*			
Size	1/8	1/8	1/8
Current (amp) DC(+)	800	800	800
Volts	49	49	49
Welding Speed (in./min)	6.0	5.0	4.5
Electrode Req'd (lb/ft)	2.29	2.73	3.06
Total Time (hr/ft of weld)	0.0333	0.0400	0.0444
Electrode Location, A (in.)	1/4	5/16	3/8
Gap, G (in.)	3/4	11/16	5/8
Electrode Stickout, 3 in.			

\* Electrode not classified. Consult the supplier.

**FLUX-CORED ARC WELDING (SEMI-AUTOMATIC) SELF-SHIELDED**

Welding Position: Vertical up Weld Quality Level: Code Steel Weldability: Good or fair  Consult electrode supplier for design of copper shoes.				
Plate Thickness (in.)	1-1/4	1-1/2	2	3
Pass	1	1	1	1
Electrode Class*				
Size	1/8	1/8	1/8	1/8
Current (amp) DC(+)	850	850	850	850
Volts	49	49	49	49
Welding Speed (in./min)	4.20	3.55	2.75	1.65
Electrode Req'd (lb/ft)	3.63	4.29	5.54	8.45
Total Time (hr/ft of weld)	0.0476	0.0563	0.0727	0.121
Oscillation (in.)	5/8	7/8	1-3/8	2-3/8
Oscillation time (sec)†	1/2	1/2	3/4	1-1/2
Electrode Location (in.) A	1/4	1/4	1/4	1/4
B	7/8	1-1/8	1-5/8	2-5/8
Dwell, 2-1/2 sec (front; 2 sec (back)				
Electrical Stickout, 3 in.				

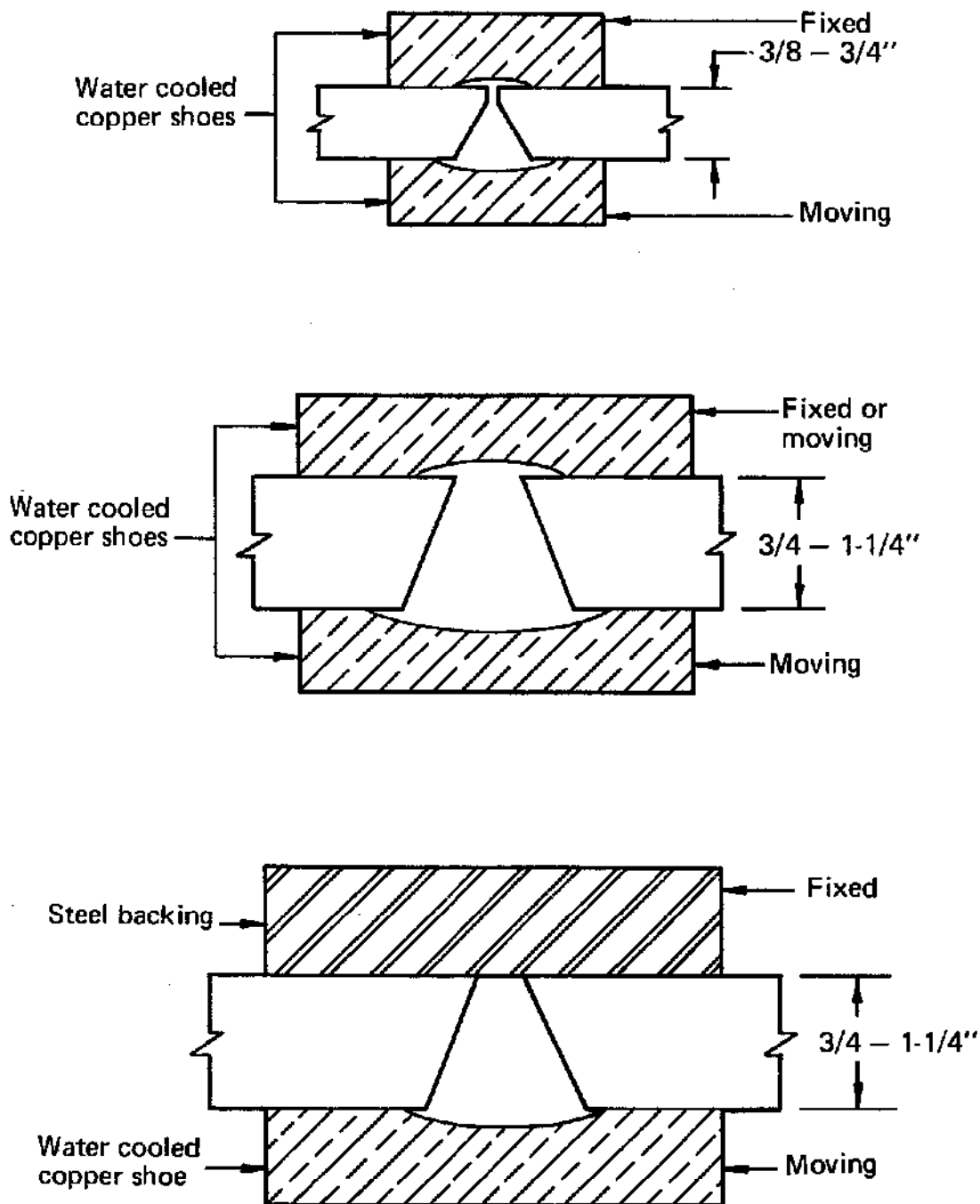
\* Electrode not classified. Consult the supplier.

† Time for one direction only.



Welding Position: Vertical up  
Weld Quality Level: Code  
Steel Weldability: Good or fair

FLUX-CORED ARC WELDING (FULL AUTOMATIC) SELF-SHIELDED



Consult the electrode supplier for welding procedures and design of the water cooled copper shoes.

**FLUX-CORED ARC WELDING (SEMI-AUTOMATIC) SELF-SHIELDED**

Welding Position: Flat Weld Quality Level: Commercial Steel Weldability: Good or fair			
Plate Thickness (in.)	0.135 (10 ga)	3/16	1/4
Pass	1	1	1
Electrode Class	E70T-4	E70T-4	E70T-4
Size	3/32	3/32	3/32
Current (amp) DC(+)	350	400	400
Volts	29 - 30	30 - 31	30 - 31
Arc Speed (in./min.)	21 - 23	16 - 18	12.5 - 13.5
Electrode Req'd (lb/ft)	0.16	0.24	0.32
Total Time (hr/ft of weld)	0.00909	0.0118	0.0154
Backing, minimum thickness (in.)	10 ga	3/16	3/16
Gap (in.)	5/32	3/16	7/32
Electrical Stickout, 2-3/4 in.			

**FLUX-CORED ARC WELDING (SEMI-AUTOMATIC) SELF-SHIELDED**

Welding Position: Flat Weld Quality Level: Commercial Steel Weldability: Good or fair								
Plate Thickness (in.)	5/16				3/8			
Pass	1	2	1	2	1	2	1	2
Electrode Class	E70T-4		E70T-4		E70T-4		E70T-4	
Size	3/32		1/8		3/32		1/8	
Current (amp) DC(+)	375		475		375		500	
Volts	33 - 34		32 - 33		33 - 34		33 - 34	
Arc Speed (in./min)	11 - 13	20 - 22	14 - 16	22 - 24	9.5 - 11.5	17 - 19	12 - 14	19 - 21
Electrode Req'd (lb/ft)	0.480		0.593		0.566		0.735	
Total Time (hr/ft of weld)	0.0262		0.0220		0.0301		0.0254	
Electrical Stickout, 2-3/4 in.								

## FLUX-CORED ARC WELDING (SEMI-AUTOMATIC) SELF-SHIELDED

Welding Position: Flat Weld Quality Level: Commercial Steel Weldability: Good or fair				
Plate Thickness (in.)	1/2	5/8	3/4	1
Pass	1 - 3	1 - 4	1 - 6	1 - 8
Electrode Class	E70T-4	E70T-4	E70T-4	E70T-4
Size	3/32	3/32	3/32	3/32
Current (amp) DC(+)	350	350	350	350
Volts	30 - 31	30 - 31	30 - 31	30 - 31
Arc Speed (in./min)	11.5 - 13.5	11.0 - 13.0	12.5 - 14.5	11.0 - 13.0
Electrode Req'd (lb/ft)	0.830	1.16	1.53	2.29
Total Time (hr/ft of weld)	0.0480	0.0668	0.0888	0.134
Electrical Stickout, 2-3/4 in.				

## FLUX-CORED ARC WELDING (SEMI-AUTOMATIC) SELF-SHIELDED

Welding Position: Flat Weld Quality Level: Commercial Steel Weldability: Good or fair					
Plate Thickness (in.)	1/2	5/8	3/4	1	
Pass	1 - 3	1 - 4	1 - 5	1	2 - 6*
Electrode Class	E70T-4	E70T-4	E70T-4	E70T-4	E70T-4
Size	1/8	1/8	1/8	1/8	1/8
Current (amp) DC(+)	500	500	500	500	550
Volts	31 - 32	31 - 32	31 - 32	31 - 32	35 - 36
Arc Speed (in./min)	13.5 - 16.5	13.5 - 15.5	13.0 - 15.0	14.5 - 17.5	14.5 - 17.5
Electrode Req'd (lb/ft)	1.14	1.56	2.02	3.03	
Total Time (hr/ft of weld)	0.0400	0.0552	0.0715	0.0750	
Electrical Stickout (in.)	2-3/4	2-3/4	2-3/4	2-3/4	3-3/4

\* Change to 3-3/4 in. stickout after first pass.

**FLUX-CORED ARC WELDING (SEMI-AUTOMATIC) SELF-SHIELDED**

Welding Position: Flat Weld Quality Level: Commercial Steel Weldability: Good or fair Welded from: One side						
Plate Thickness (in.)	1/2			5/8		
Pass	1	2		1	2	3
Electrode Class *	E70T-G			E70T-G		
Size	7/64			7/64		
Current (amp) DC(-)	425			450		
Volts	25 - 26			26 - 27		
Arc Speed (in./min)	12 - 13	8 - 9		13 - 14	12 - 13	11 - 12
Electrode Req'd (lb/ft)	0.75			1.00		
Total Time (hr/ft of weld)	0.0395			0.0482		
Electrical Stickout, 1-1/2 in.						

\* A fast-follow type E70T-G with penetration capability. See introductory notes.  
 † This joint is similar to some of the prequalified joints in the AWS Structural Codes.

**FLUX-CORED ARC WELDING (SEMI-AUTOMATIC) SELF-SHIELDED**

Welding Position: Flat Weld Quality Level: Commercial Steel Weldability: Good or fair				
Plate Thickness (in.)	3/4	1	2*	
Pass	1 - 3	1 - 4	1 - 2	3 - 10†
Electrode Class	E70T-G‡	E70T-G‡	E70T-G‡	E70T-4
Size	7/64	7/64	7/64	1/8
Current (amp)	500 DC(-)	500 DC(-)	500 DC(-)	550 DC(+)
Volts	27 - 28	27 - 28	27 - 28	35 - 36
Arc Speed (in./min)	10 - 11	9 - 10	12.5 - 13.5	11.5 - 12.5
Electrode Req'd (lb/ft)	1.43	2.10	0.72	5.70
Total Time (hr/ft of weld)	0.0570	0.0844	0.164	
Electrical Stickout (in.)	1-1/2	1-1/2	1-1/2	3-3/4

\* Typical two electrode procedure. Can be finished with 7/64 E70T-G but with an increase in total arc time.

† Layers should be split when the previous bead face is 3/4-in. wide. This occurs after pass 4.

‡ A fast-follow type E70T-G with penetration capability. See introductory notes.

This joint is similar to some of the prequalified joints in the AWS Structural Codes.

**FLUX-CORED ARC WELDING (SEMI-AUTOMATIC) SELF-SHIELDED**

Weld Position: Flat Weld Quality Level: Commercial Steel Weldability: Good or fair Welded from: One side				
Plate Thickness (in.)	1-1/2			
Pass	1	2 - 14	1	2 - 8*
Electrode Class	E70T-4	E70T-4	E70T-4	E70T-4
Size	3/32	3/32	1/8	1/8
Current (amp) DC(+)	350	350	500	550
Volts	30 - 31	30 - 31	31 - 32	35 - 36
Arc Speed (in./min)	7.0 - 8.5	11.0 - 13.5	11.0 - 13.0	13.0 - 16.0
Electrode Req'd (lb/ft)	4.48		4.59	
Total Time (hr/ft of weld)	0.239		0.114	
Electrical Stickout, 2-3/4 in.				

\* Change to 3-3/4 in. stickout after first pass.

**FLUX-CORED ARC WELDING (SEMI-AUTOMATIC) SELF-SHIELDED**

Welding Position: Flat Weld Quality Level: Commercial Steel Weldability: Good or fair							
Depth, D (in.)	3/4		1-1/4		2		
Pass	1	2 - 3	1 - 2	3 - 5	1 - 2	3 - 4	5 - 9
Electrode Class	E70T-G*		E70T-G*	E70T-4	E70T-G*	E70T-4	E70T-4
Size	3/32		3/32	1/8	3/32	1/8	1/8
Current (amp)	425 DC(-)		400 DC(-)	500 DC(+)	400 DC(-)	500 DC(+)	550 DC(+)
Volts	26 - 27		26 - 27	31 - 32	26 - 27	31 - 32	35 - 36
Arc Speed (in./min)	11 - 12	7.5 - 8.5	10 - 11	13 - 14	10 - 11	12 - 13	13 - 14
Electrode Req'd (lb/ft)	0.71		0.58	1.27	0.58	4.07	
Total Time (hr/ft of weld)	0.0674		0.0822		0.144		
Electrical Stickout (in.)	1-1/4		1-1/2	2-3/4	1-1/2	2-3/4	3-3/4
Drag Angle, A (deg)	75		75	60	75	60	

\* A fill-freeze type E70T-G. See introductory notes.

This joint is similar to some of the prequalified joints in the AWS Structural Codes.

**FLUX-CORED ARC WELDING (SEMI-AUTOMATIC) SELF-SHIELDED**

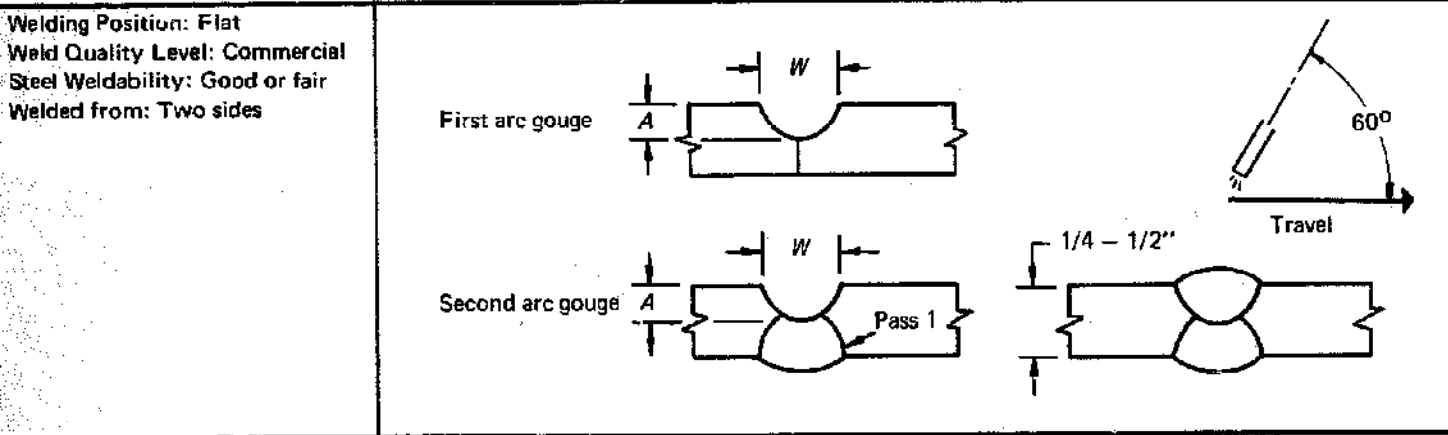


Plate Thickness (in.)	1/4	5/16		3/8		1/2
Pass	1,2	1,2	1,2	1,2	1,2	1,2
Electrode Class	E70T-4	E70T-4	E70T-4	E70T-4	E70T-4	E70T-4
Size	3/32	3/32	1/8	3/32	1/8	1/8
Current (amp) DC(+)	350	350	500	350	500	500
Volts	30 - 31	30 - 31	31 - 32	30 - 31	31 - 32	31 - 32
Arc Speed (in./min)	19 - 22	14 - 16	23 - 27	11 - 13	19 - 22	13 - 15
Electrode Req'd (lb/ft)	0.338	0.480	0.490	0.595	0.613	0.912
Total Time (hr/ft of weld)*	0.0195	0.0266	0.0160	0.0334	0.0195	0.0286
Depth, A minimum (in.)	1/8	5/32	5/32	3/16	3/16	1/4
Width, W minimum (in.)	5/16	3/8	3/8	7/16	7/16	1/2
Electrical Stickout, 2-3/4 in.						

\*Gouging time not included.

**FLUX-CORED ARC WELDING (SEMI-AUTOMATIC) SELF-SHIELDED**

Welding Position: Flat  
 Weld Quality Level: Code  
 Steel Weldability: Good or fair  
 Welded from: Two sides

Where Code Quality is indicated normal practice requires procedure qualification test.

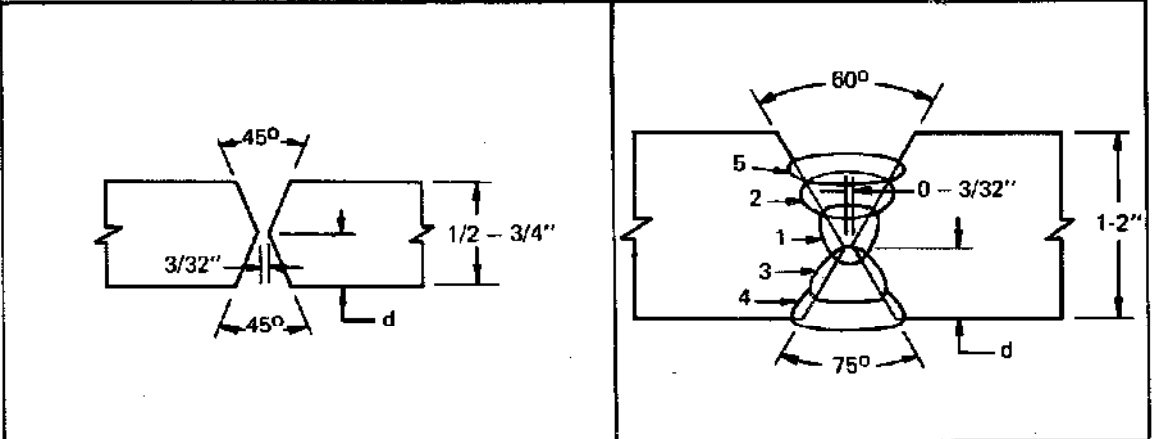


Plate Thickness (in.)	1/2		3/4		1	1-1/2	2
Pass*	1	2-4	1	2-4	1-4	1-7	1-12
Electrode Class†	E70T-G		E70T-G		E70T-G	E70T-G	E70T-G
Size	3/32		3/32		7/64	7/64	7/64
Current (amp) DC(-)	225	325	225	425	500	500	500
Volts	23 - 24	23 - 24	23 - 24	26 - 27	28 - 29	28 - 29	28 - 29
Arc Speed (in./min)	7.6 - 8.4	16 - 18	5.7 - 6.3	12.5 - 13.5	16.5 - 18.5	16.5 - 18.5	16.5 - 18.5
Electrode Req'd (lb/ft)	0.58		1.02		1.51	3.35	6.38
Total Time (hr/ft of weld)	0.0602		0.0793		0.0635	0.141	0.268
Electrical Stickout	1-1/4		1-1/4		1-1/2	1-1/2	1-1/2
Depth, d (in.)	1/4		3/8		1/2	1/2	1/2

Layers are split when bead face width exceeds 3/4 in.  
 †A fast-follow type E70T-G with penetration capabilities. See introductory notes.

**FLUX-CORED ARC WELDING (SEMI-AUTOMATIC) SELF-SHIELDED**

Welding Position: Horizontal Weld Quality Level: Commercial Steel Weldability: Good Welded from: One side									
	Plate Thickness (in.)	3/8		1/2		3/4			
	Pass	1-3	4	1-4	5	1-9	10	1-7	8
	Electrode Class	E70T-4	E70T-4	E70T-4	E70T-4	E70T-4	E70T-4	E70T-4	E70T-4
Size	3/32	3/32	3/32	3/32	3/32	3/32	1/8	3/32	
Current (amp) DC(+)	300	250	300	250	300	250	400	250	
Volts	28	25	28	26	28	26	28	26	
Arc Speed (in./min)	12.5-14.5	12.5-14.5	11.0-13.0	10.0-12.0	12.0-14.0	10.0-12.0	12.5-14.5	10.0-12.0	
Electrode Req'd (lb/ft)	0.746		1.11		2.11		2.39		
Total Time (hr/ft of weld)	0.0592		0.0840		0.157		0.122		
Drag angle, A (deg)	60		60		60		60		
Electrical Stickout, 2-3/4 in.									

**FLUX-CORED ARC WELDING (SEMI-AUTOMATIC) SELF-SHIELDED**

Welding Position: Horizontal Weld Quality Level: Commercial Steel Weldability: Good Welded from: One side									
	Plate Thickness (in.)	1				1-1/4			
	Pass	1-14	15	1-11	12	1-21	22	1-17	18
	Electrode Class	E70T-4	E70T-4	E70T-4	E70T-4	E70T-4	E70T-4	E70T-4	E70T-4
Size	3/32	3/32	1/8	3/32	3/32	3/32	1/8	3/32	
Current (amp) DC(+)	300	300	400	300	325	300	400	300	
Volts	30	28	29	28	30	28	29	28	
Arc Speed (in./min)	11.5-13.5	10.0-12.0	14-16	10.0-12.0	11.5-13.5	10.0-12.0	12.0-14.0	10.0-12.0	
Electrode Req'd (lb/ft)	3.43		3.34		5.01		4.71		
Total Time (hr/ft of weld)	.219		.165		.309		.231		
Electrical Stickout, 2-3/4 in.									

**FLUX-CORED ARC WELDING (SEMI-AUTOMATIC) SELF-SHIELDED**

Welding Position: Horizontal  
 Weld Quality Level: Commercial  
 Steel Weldability: Good or fair  
 Welded from: One side

3/32 electrode      1/8" electrode

Plate Thickness (in.)	1				1			
Pass	1	2-3	4-6	7	1*	2	3-4	5**
Electrode Class	E70T-4	E70T-4	E70T-4	E70T-4	E70T-4	E70T-4	E70T-4	E70T-4
Electrode Size	3/32	3/32	3/32	3/32	1/8	1/8	1/8	3/32**
Current (amp) DC(+)	325	325	325	275	400	400	400	275
Volts	28	28	28	26	28*	28	28	26
Arc Speed (in./min)	11.0 - 13.0	12.5 - 14.5	13.0 - 15.0	10.0 - 12.0	11.5 - 13.5	13.5 - 16.5	13.0 - 15.0	10.0 - 12.0
Electrode Req'd (lb/ft)	1.44				1.56			
Total Time (hr/ft of weld)	0.108				0.0762			
Electrical Stickout, 2-3/4 in.								

\* With tight fitup use 30-32 v or 7/32 in. E7018 stick electrode for the first pass.  
 \*\* An alternate to changing electrode size is to run the final pass with 3/16 E7018 stick electrode.

**FLUX-CORED ARC WELDING (SEMI-AUTOMATIC) SELF-SHIELDING**

Welding Position: Horizontal  
 Weld Quality Level: Commercial  
 Steel Weldability: Good or fair

Poor bead placement      Good bead placement

Plate Thickness (in.)	1-1/2		1-1/2		2		2	
Pass	1-14	15	1*-9	10	1-24	25	1*-16	17
Electrode Class	E70T-4	E70T-4	E70T-4	E70T-4	E70T-4	E70T-4	E70T-4	E70T-4
Electrode Size	3/32	3/32	1/8	3/32	3/32	3/32	1/8	3/32
Current (amp) DC(+)	300	250	400	250	300	250	400	250
Volts	28	26	28*	26	28	26	28*	26
Arc Speed (in./min)	12.0 - 14.0	10.0 - 12.0	12.5 - 14.5	10.0 - 12.0	12.0 - 14.0	10.0 - 12.0	12.5 - 14.5	10.0 - 12.0
Electrode Req'd (lb/ft)	3.75		3.25		6.16		5.54	
Total Time (hr/ft of weld)	0.234		0.151		0.388		0.255	
Depth, D (in.)	1-1/8		1-1/8		1-1/2		1-1/2	
Electrical Stickout, 2-3/4 in.								

\* With tight fitup use 30-32v on the first pass or 7/32 E7018 stick electrode.



**FLUX-CORED ARC WELDING (SEMI-AUTOMATIC) SELF-SHIELDING**

Welding Position: Horizontal Weld Quality Level: Commercial Steel Weldability: Good or fair Welded from: Two sides								
	Plate Thickness (in.)	3/4		1		1-1/2		
Pass	1,2,3 & 5	4 & 6	1-4 & 6-7	5 & 8	1-7 & 9-15	8 & 16	1-5 & 7-11	6 & 12
Electrode Class	E70T-4	E70T-4	E70T-4	E70T-4	E70T-4	E70T-4	E70T-4	E70T-4
Size	3/32	3/32	3/32	3/32	3/32	3/32	1/8	3/32
Current (amp) DC(+)	300	250	300	250	300	250	400	250
Volts	28	26	28	26	28	26	28	26
Arc Speed (in./min)	11.5 - 13.5	10.0 - 12	9.0 - 11.0	10.0 - 12.0	10.0 - 12.0	10.0 - 12.0	11.0 - 13.0	10.0 - 12.0
Electrode Req'd (lb/ft)	1.25		1.98		3.94		4.09	
Total Time (hr/ft of weld)	0.0996		0.154		0.291		0.203	
Electrical Stickout, 2-3/4-in.								

First pass should be back-gouged or ground. Using 5/32 E7018 for the first pass reduces the amount of gouging required.

**FLUX-CORED ARC WELDING (SEMI-AUTOMATIC) SELF-SHIELDED**

Welding Position: Horizontal Weld Quality Level: Code Steel Weldability: Good or fair Welded from: Two sides						
	Where Code Quality is indicated normal practice requires a procedure qualification test.					
Plate Thickness (in.)	All	3/8	1/2		3/4	
Pass	1	2 - 4	2 - 3	4 - 6	2 - 6	7 - 9
Electrode Class	E60T-7	E60T-7	E60T-7		E60T-7	
Size	5/64	5/64	5/64		5/64	
Current (amp) DC(-)	175	175	250	185	250	185
Volts	18 - 19	18 - 19	19 - 20	18 - 19	19 - 20	18 - 19
Arc Speed (in./min)	5.0 - 5.5	5.1 - 5.6	6.4 - 7.1	5.4 - 6.0	4.9 - 5.4	4.0 - 4.4
Electrode Req'd (lb/ft)*		0.53	0.88		1.83	
Total Time (hr/ft of weld)*		0.150	0.203		0.375	
Electrical Stickout, 7/8 in.						

\* Does not include electrode or time to gouge and weld the back weld.  
 Back weld may be made by stick electrode or semiautomatic welding.

**FLUX-CORED ARC WELDING (SEMI-AUTOMATIC) SELF-SHIELDED**

Welding Position: Horizontal  
 Weld Quality Level: Code  
 Steel Weldability: Good or fair  
 Welded from: Two sides

Where Code Quality is indicated normal practice requires a procedure qualification test.

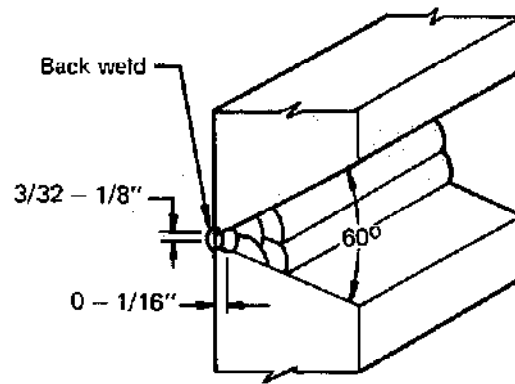


Plate Thickness (in.)	All	1			1-1/2	
Pass	1	2 - 9	10 - 14	2 - 20	21 - 28	
Electrode Class	E60T-7	E60T-7			E60T-7	
Size	3/32	3/32			3/32	
Current (amp) DC(-)	235	290	235	290	235	
Volts	18 - 19	19 - 20	18 - 19	19 - 20	18 - 19	
Arc Speed (in./min)	6.0 - 6.6	4.8 - 5.3	6.0 - 6.6	5.0 - 5.5	6.0 - 6.6	
Electrode Req'd (lb/ft)*		3.12			6.74	
Total Time (hr/ft of weld)*		0.507			1.01	
Electrical Stickout, 1 in.						

\* Does not include electrode or time to gouge and weld the back weld.  
 Back weld may be made by stick electrode or semi-automatic welding.

**FLUX-CORED ARC WELDING (SEMI-AUTOMATIC) SELF-SHIELDED**

Welding Position: Vertical  
 Weld Quality Level: Commercial  
 Steel Weldability: Good or fair  
 Welded from: One side

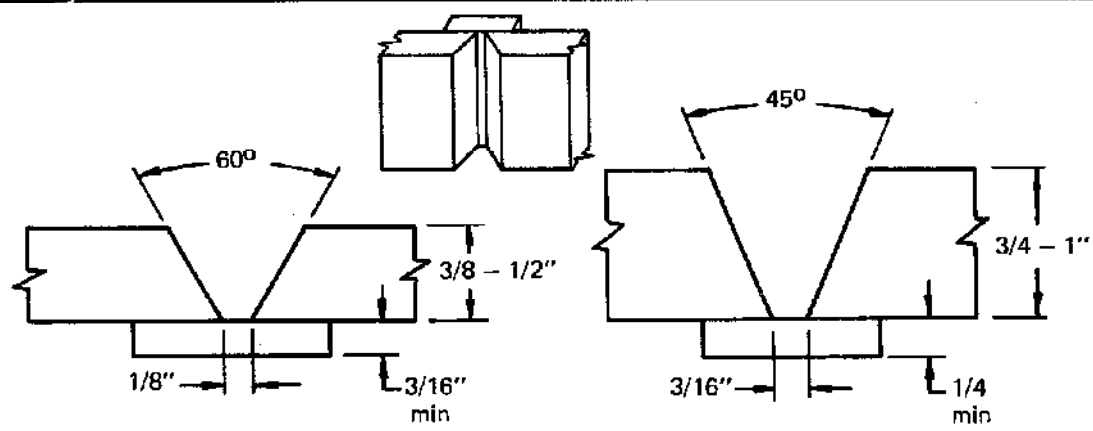


Plate Thickness (in.)	3/8		1/2			3/4		1	
Pass	1	2	1	2	3	1	2 - 4	1	2 - 6
Electrode Class†	E70T-G		E70T-G			E70T-G		E70T-G	
Size	1/16		1/16			1/16		1/16	
Current (amp) DC(-)	170		170			180		180	
Volts	19 - 20		19 - 20			19 - 20		19 - 20	
Arc Speed (in./min)	4.8 - 5.3	1.8 - 2.0	4.8 - 5.3	2.3 - 2.5	1.8 - 2.0	4.0 - 4.4	1.9 - 2.1*	4.0 - 4.4	1.9 - 2.1*
Electrode Req'd (lb/ft)	0.738		1.11			1.94		2.41	
Total Time (hr/ft of weld)	0.145		0.227			0.348		0.548	
Electrical Stickout, 1/4 to 3/4 in.									

\* Average speed for all passes after first.  
 † A fast-freeze type E70T-G. See introductory notes.

**FLUX-CORED ARC WELDING (SEMI-AUTOMATIC) SELF-SHIELDED**

Welding Position: Vertical up  
 Weld Quality Level: Commercial  
 Steel Weldability: Good or fair  
 Welded from: One side

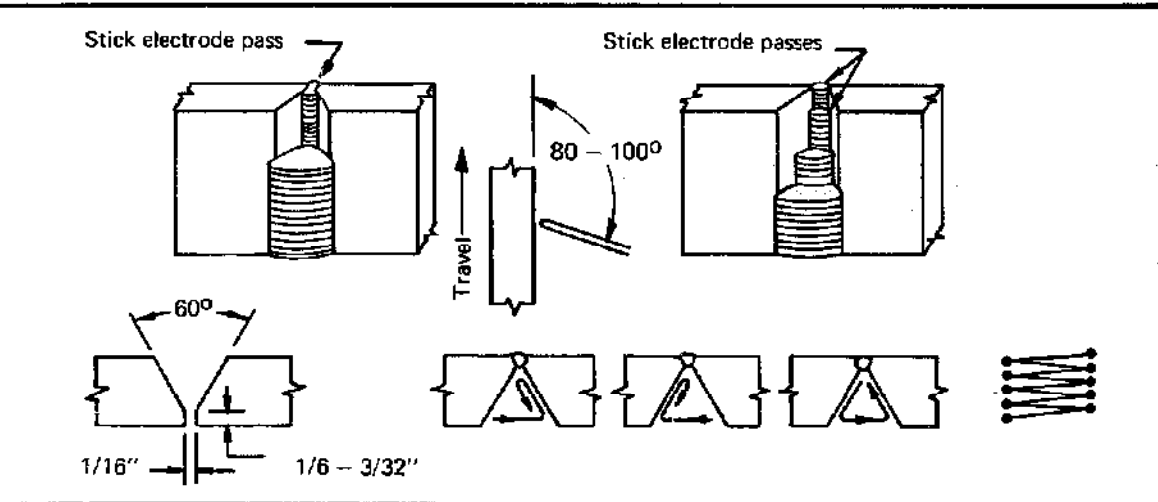


Plate Thickness (in.)	3/8-1/2-5/8	3/8	1/2	5/8	3/4 - 1	3/4		1	
Pass	1	2	2	2	1 & 2	3	4	3	4
Electrode Class	E6010 E6011	E70T-G†	E70T-G†	E70T-G†	E6010 E6011	E70T-G†		E70T-G†	
Size	1/8	1/16	1/16	1/16	1/8	1/16		1/16	
Current (amp) DC	80 (+)	160 (-)	160 (-)	160 (-)	80 (+)	180 (-)		195 (-)	
Volts		19 - 20	19 - 20	19 - 20		20 - 21		20.5 - 21.5	
Arc Speed (in./min)	3.3 - 3.7	2.4 - 2.6	1.3 - 1.4	0.8 - 0.9	3.3 - 3.7	1.5 - 1.7	1.3 - 1.4	1.2 - 1.3	0.7 - 0.8
Electrode Req'd (lb/ft)*	0.227	0.342	0.625	1.02	0.454	1.37		2.49	
Total Time (hr/ft of weld)*	0.057†	0.0800	0.147	0.235	0.114	0.273		0.427	
Electrical Stickout, 1/2-1 in.									

\* Add stick electrode to semiautomatic passes.  
 † A fast-freeze type E70T-G. See introductory notes.

**FLUX-CORED ARC WELDING (SEMI-AUTOMATIC) SELF-SHIELDED**

Welding Position: Vertical  
 Weld Quality Level: Code  
 Steel Weldability: Good or fair  
 Welded from: One side

Where Code Quality is indicated normal practice requires a procedure qualification test.

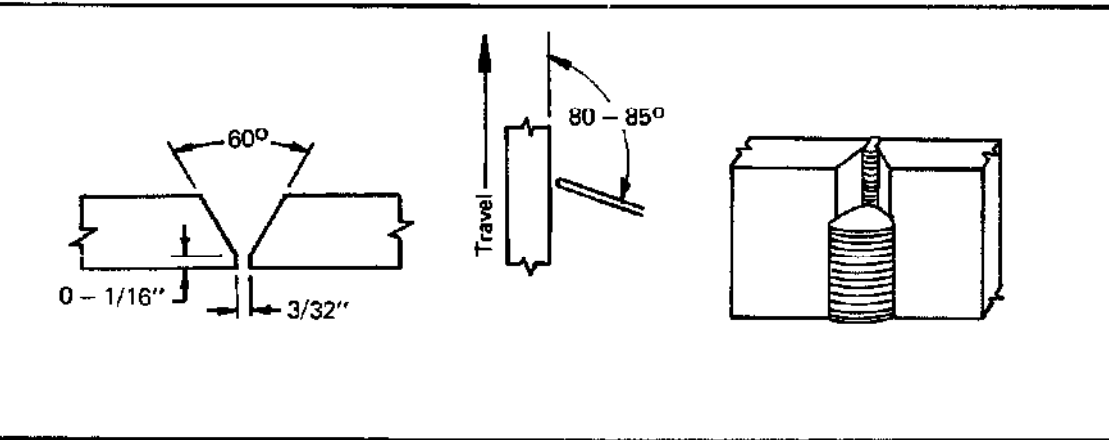


Plate Thickness (in.)	3/8	1/2	3/4	1
Pass	1 - 2	1 - 3	1 - 5	1 - 8
Electrode Class	E60T-7			
Size	5/64			
Current (amp) DC(-)	175			
Volts	18 - 19			
Arc Speed (in./min)*	2.8 - 3.1			
Electrode Req'd (lb/ft)	0.64	1.07	2.21	3.74
Total Time (hr/ft of weld)	0.155	0.259	0.531	0.900
Electrical Stickout, 7/8 in.				

\* For first pass only. Subsequent full weave passes are slower.

**FLUX-CORED ARC WELDING (SEMI-AUTOMATIC) SELF-SHIELDED**

Welding Position: Vertical up  
 Weld Quality Level: Commercial  
 Steel Weldability: Good or fair  
 Welded from: Two sides

Plate Thickness (in.)	1/2			5/8			3/4		
Pass	1	2	3	1-2	3	4	1	2 & 4	3
Electrode Class*	E70T-G			E70T-G			E70T-G		
Size	1/16			1/16			1/16		
Current (amp) DC(-)	155			155			155		
Volts	18.5 - 19.5			18.5 - 19.5			18.5 - 19.5		
Arc Speed (in./min)	3.6 - 4.0	3.6 - 4.0	2.9 - 3.2	3.4 - 3.8	5.0 - 5.5	3.0 - 3.3	3.0 - 3.3	2.0 - 2.2	4.3 - 4.8
Electrode Req'd (lb/ft)	0.685			0.852			1.21		
Total Time (hr/ft of weld)	0.171			0.213			0.299		
Depth, d (in.)	1/4			5/16			3/8		
Electrical Stickout, 3/4 in.									

\* A fast-freeze type E70T-G. See introductory notes.

**FLUX-CORED ARC WELDING (SEMI-AUTOMATIC) SELF-SHIELDED**

Welding Position: Vertical  
 Weld Quality Level: Commercial  
 Steel Weldability: Good or fair  
 Welded from: Two sides

Plate Thickness (in.)	1						1-1/2			
Pass*	1	2 & 5	3	4 & 6	1	2 & 4	3	5 - 10		
Electrode Class†	E70T-G						E70T-G			
Size	1/16						1/16			
Current (amp)	155	170			155	170				
Volts	18.5 - 19.4	19 - 20			18.5 - 19.5	19 - 20				
Arc Speed (in./min)	3.3 - 3.6	3.0 - 3.3	5.0 - 5.5	2.4 - 2.7	3.0 - 3.3	2.8 - 3.1	4.6 - 5.1	2.0 - 2.2		
Electrode Req'd (lb/ft)	1.84						3.94			
Total Time (hr/ft of weld)	0.380						0.809			
Depth, d (in.)	3/8						5/8			
Electrical Stickout, 3/4 in.										

\* Layers are split when previous bead face width exceeds 5/8 in.

† A fast-freeze type E70T-G. See introductory notes.

**FLUX-CORED ARC WELDING (SEMI-AUTOMATIC) SELF-SHIELDED**

Welding Position: Overhead Weld Quality Level: Commercial Steel Weldability: Good or fair Welded from: two sides								
Plate Thickness (in.)	1/2		3/4		1		1-1/2	
Pass	1-2	3	1-2	3-4	1-2	3-5	1-3	4-10
Electrode Class	E70T-G*	E70T-G†	E70T-G*	E70T-G†	E70T-G*	E70T-G†	E70T-G*	E70T-G†
Size	1/16	7/64	1/16	7/64	1/16	7/64	1/16	7/64
Current (amp) DC(-)	130	500	140	500	150	500	150	500
Volts	17.5 - 18.5	27 - 28	18 - 19	27 - 28	18.5 - 19.5	27 - 28	18.5 - 19.5	27 - 28
Arc Speed (in./min)	4.5 - 5.0	9.5 - 10.5	4.2 - 4.6	10.5 - 11.5	3.5 - 3.9	9.5 - 10.5	3.9 - 4.4	9.5 - 10.5
Electrode Req'd (lb/ft)	0.29	0.41	0.34	0.76	0.45	1.24	0.60	2.92
Total Time (hr/ft of weld)	0.0842	0.0200	0.0910	0.0364	0.108	0.0600	0.147	0.140
Electrical Stickout (in.)	3/4	1-1/2	3/4	1-1/2	3/4	1-1/2	3/4	1-1/2
Angle, A (deg)	60		45		45		45	
Depth, d (in.)	3/16		1/4		5/16		3/8	

\* A fast-freeze type E70T-G.

† A fast-follow type E70T-G with good penetration capability.

See introductory notes.

**FLUX-CORED ARC WELDING (SEMI-AUTOMATIC) SELF-SHIELDED**

Welding Position: Overhead Weld Quality Level: Commercial Steel Weldability: Good										
Plate Thickness (in.)	3/8		1/2		5/8		3/4		1	
Pass	1	2	1	2-3	1	2-4	1	2-5	1	2-7
Electrode Class*	E70T-G		E70T-G		E70T-G		E70T-G		E70T-G	
Size	1/16		1/16		1/16		1/16		1/16	
Current (amp) DC(-)	155		165		165		170		170	
Volts	18.5 - 19.5		19 - 20		19 - 20		19 - 20		19 - 20	
Arc Speed (in./min)†	3.5 - 3.9	1.6 - 1.8	3.5 - 3.9	2.3 - 2.5	3.5 - 3.9	2.3 - 2.5	3.3 - 3.7	2.3 - 2.5	3.1 - 3.4	2.1 - 2.3
Electrode Req'd (lb/ft)	0.729		1.05		1.45		1.94		3.01	
Total Time (hr/ft of weld)	0.172		0.221		0.354		0.391		0.607	
Electrical Stickout, 3/4 in.										

\* A fast-freeze type E70T-G. See introductory notes.

† Arc speeds are average for all passes after the first. Normally speeds decrease on subsequent passes.

Use split layers when bead face width exceeds 3/4 in.

**FLUX-CORED ARC WELDING (SEMI-AUTOMATIC) SELF-SHIELDED**

Welding Position: Overhead  
 Weld Quality Level: Code  
 Steel Weldability: Good or fair

Where Code Quality is indicated normal practice requires a procedure qualification test.

Plate Thickness (in.)	3/8	1/2	3/4
Pass	1 - 2	1 - 3	1 - 5
Electrode Class	E60T-7	E60T-7	E60T-7
Size	5/64	5/64	5/64
Current (amp) DC(-)	160	160	160
Volts	18 - 19	18 - 19	18 - 19
Arc Speed (in./min)*	2.5 - 2.8	2.5 - 2.8	2.5 - 2.8
Electrode Req'd (lb/ft)	0.64	1.07	2.21
Total Time (hr/ft of weld)	0.173	0.289	0.578
Electrical Stickout, 7/8 in.			

\* For the first pass only. Subsequent passes are slower.  
 The root pass may be made with stick electrode. See Section 6.2 procedures.

**FLUX-CORED ARC WELDING (SEMI-AUTOMATIC) SELF-SHIELDED**

Welding Position: Flat  
 Weld Quality Level: Strength only  
 Steel Weldability: Good

Plate Thickness (in.)	0.105 (12 ga)	0.135 (10 ga)	3/16
Pass	1	1	1
Electrode Class	E70T-3	E70T-3	E70T-3
Size	3/32	3/32	3/32
Current (amp) DC(+)	450	500	500
Volts	27 - 29	28 - 30	28 - 30
Arc Speed (in./min)	90 - 100	65 - 75	50 - 60
Electrode Req'd (lb/ft)	0.0342	0.0535	0.0961
Total Time (hr/ft of weld)	0.00211	0.00286	0.00364
Electrical Stickout, 1-1/4 in.			

**FLUX-CORED ARC WELDING (SEMI-AUTOMATIC) SELF-SHIELDED**

Welding Position: Flat and horizontal  
 Weld Quality Level: Commercial  
 Steel Weldability: Good or fair

Weld Size, L (in.)			3/16	3/16+	1/4
Plate Thickness (in.)	0.105 (12 ga)	0.135 (10 ga)	3/16	1/4	5/16
Pass	1	1	1	1	1
Electrode Class	E70T-G*	E70T-G*	E70T-G†	E70T-G†	E70T-G†
Size	5/64	5/64	3/32	3/32	3/32
Current (amp) DC ( )	235	260	315	325	350
Volts	19 - 20	20 - 21	23 - 24	24 - 25	25 - 26
Arc Speed (in./min)	25 - 28	23 - 25	20 - 22	17 - 19	15 - 17
Electrode Req'd (lb/ft)	0.053	0.070	0.11	0.13	0.17
Total Time (hr/ft of weld)	0.00755	0.00833	0.00953	0.0111	0.0125
Electrical Stickout (in.)	3/4	3/4	1-1/4	1-1/4	1-1/4

\* A fast-freeze type E70T-G.

† A fast-follow type E70T-G.

See introductory notes.

**FLUX-CORED ARC WELDING (SEMI-AUTOMATIC) SELF-SHIELDED**

Welding Position: Flat  
 Weld Quality Level: Commercial  
 Steel Weldability: Good or fair

Weld Size, L (in.)	1/4 (-)	1/4	5/16	3/8	1/2
Plate Thickness (in.)	1/4	5/16	3/8	1/2	5/8
Pass	1	1	1	1	1*
Electrode Class	E70T-4	E70T-4	E70T-4	E70T-4	E70T-4
Size	3/32	3/32	3/32	3/32	3/32
Current (amp) DC(+)	360	375	375	375	375
Volts	29 - 30	30 - 31	30 - 31	30 - 31	30 - 31
Arc Speed (in./min)	21 - 23	18 - 20	13 - 15	10 - 11	5.2 - 5.8
Electrode Req'd (lb/ft)	0.17	0.21	0.28	0.39	0.67
Total Time (hr/ft of weld)	0.00909	0.0105	0.0143	0.0190	0.0364
Electrical Stickout, 2-3/4 in.					

\* For better penetration use two passes. Overall speed is the same.

**FLUX-CORED ARC WELDING (SEMI-AUTOMATIC) SELF-SHIELDED**

Welding Position: Flat Weld Quality Level: Commercial Steel Weldability: Good or fair							
	Weld Size, L (in.)	5/16	3/8	1/2	5/8		3/4
Plate Thickness (in.)	3/8	1/2	5/8	3/4		1	
Pass	1	1	1	1	2	1, 3 & 4	2
Electrode Class Size	E70T-4 1/8	E70T-4 1/8	E70T-4 1/8	E70T-4 1/8	E70T-4 1/8	E70T-4 1/8	E70T-4 1/8
Current (amp) DC(+)	525	565	580	580	580	580	580
Volts	35 - 36	36 - 37	37 - 38	37 - 38	37 - 38	37 - 38	37 - 38
Arc Speed (in./min)	23 - 25	20 - 22	13 - 15	21 - 23	16 - 18	26 - 28	17 - 19
Electrode Req'd (lb/ft)	0.313	0.404	0.617	1.02		1.47	
Total Time (hr/ft of weld)	0.00833	0.00952	0.0143	0.0209		0.0333	
Electrical Stickout, 3-3/4 in.							

**FLUX-CORED ARC WELDING (SEMI-AUTOMATIC) SELF-SHIELDED**

Welding Position: Flat Weld Quality Level: Commercial* Steel Weldability: Good or fair							
	Weld Size, L (in.)	3/16	3/16 (+)	1/4	5/16	3/8	1/2
Plate Thickness (in.)	1/4	5/16	3/8	1/2	5/8	3/4	
Pass	1	1	1	1	1	1 - 2	
Electrode Class*† Size	E70T-G 7/64	E70T-G 7/64	E70T-G 7/64	E70T-G 7/64	E70T-G 7/64	E70T-G 7/64	
Current (amp) DC(-)	450	500	500	525	525	525	
Volts	27 - 28	28 - 29	28 - 29	29 - 30	29 - 30	29 - 30	
Arc Speed (in./min)	32 - 35	26 - 29	22 - 24	18 - 20	13 - 14	15 - 17	
Electrode Req'd (lb/ft)	0.12	0.17	0.21	0.27	0.38	0.64	
Total Time (hr/ft of weld)	0.00597	0.00727	0.00870	0.0105	0.0148	0.0250	
Electrical Stickout, 1-1/2 in.							

\* Classified "Commercial" because the fillets are smaller than required by most codes. The welds have strength in excess of requirements if an E70T-G electrode is used which has penetration capabilities.

† A fast-follow type E70T-G with penetration capability. See introductory notes.



**FLUX-CORED ARC WELDING (SEMI-AUTOMATIC) SELF-SHIELDED**

Welding Position: Horizontal Weld Quality Level: Strength only Steel Weldability: Good or fair			
	Plate Thickness (in.)	0.105 (12 ga)	0.135 (10 ga)
Pass	1	1	1
Electrode Class	E70T-3	E70T-3	E70T-3
Size	3/32	3/32	3/32
Current (amp) DC(+)	450	500	500
Volts	27 - 29	28 - 30	28 - 30
Arc Speed (in./min)	85 - 95	55 - 65	30 - 34
Electrode Req'd (lb/ft)	0.0370	0.0627	0.118
Total Time (hr/ft of weld)	0.00222	0.00333	0.00625
Drag Angle, A (deg)	45	50	55
Electrical Stickout, 1-1/4 in.			

**FLUX-CORED ARC WELDING (SEMI-AUTOMATIC) SELF-SHIELDED**

Welding Position: Horizontal Weld Quality Level: Commercial Steel Weldability: Good or fair							
	Weld Size, L (in.)	1/4 (-)	1/4 (-)	1/4	5/16	3/8	3/8
Plate Thickness (in.)	3/16	1/4	5/16	3/8	1/2		
Pass	1	1	1	1	1	1	
Electrode Class	E70T-4	E70T-4	E70T-4	E70T-4	E70T-4	E70T-4	
Size	3/32	3/32	3/32	1/8	3/32	1/8	
Current (amp) DC(+)	325	350	375	425	375	425	
Volts	28 - 29	29 - 30	30 - 31	27 - 30	30 - 31	27 - 30	
Arc Speed (in./min)	18 - 20	17 - 19	15 - 17	18 - 20	14 - 16	16 - 18	
Electrode Req'd (lb/ft)	0.17	0.20	0.25	0.25	0.27	0.27	
Total Time (hr/ft of weld)	0.0105	0.0111	0.0125	0.0105	0.0133	0.0118	
Electrode location, X (in.)	0	1/16	3/32	1/8	1/8	5/32	
Electrode angle, A (deg)	40	35	35	30	30	25	
Electrical Stickout, 2-3/4 in.							

**FLUX-CORED ARC WELDING (SEMI-AUTOMATIC) SELF-SHIELDED**

Welding Position: Horizontal Weld Quality Level: Commercial Steel Weldability: Good or fair								
	Weld Size, L (in.)	1/2		5/8			3/4	
Plate Thickness (in.)	5/8		3/4			1		
Pass	1	2	1	2	3	1 & 5	2	3 & 4
Electrode Class	E70T-4	E70T-4	E70T-4	E70T-4	E70T-4	E70T-4	E70T-4	E70T-4
Size	1/8	1/8	1/8	1/8	1/8	1/8	1/8	1/8
Current (amp) DC(+)	450	450	450	450	450	450	450	450
Volts	28 - 31	28 - 31	28 - 31	28 - 31	28 - 31	28 - 31	28 - 31	28 - 31
Arc Speed (in./min)	13 - 15	16 - 18	15 - 17	16 - 18	13 - 15	15 - 17	14 - 16	18 - 20
Electrode Req'd (lb/ft)	0.670		0.962			1.42		
Total Time (hr/ft of weld)	0.0259		0.0386			0.0593		
Electrical Stickout, 2-3/4 in.								

**FLUX-CORED ARC WELDING (SEMI-AUTOMATIC) SELF-SHIELDED**

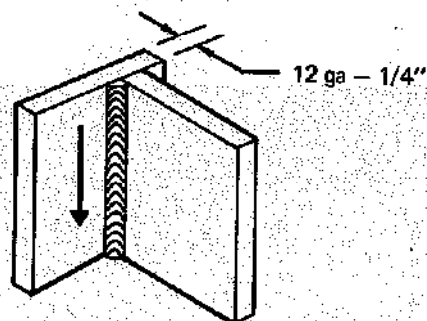
Welding Position: Horizontal Weld Quality Level: Commercial* Steel Weldability: Good or fair						
	Weld Size L (in.)	3/16	3/16 (+)	1/4	5/16	3/8
Plate Thickness (in.)	1/4	5/16	3/8	1/2	5/8	3/4
Pass	1	1	1	1	1	3
Electrode Class†	E70T-G	E70T-G	E70T-G	E70T-G	E70T-G	E70T-G
Size	7/64	7/64	7/64	7/64	7/64	7/64
Current (amp) DC(-)	425	475	500	500	500	500
Volts	26 - 27	27 - 28	28 - 29	28 - 29	28 - 29	28 - 29
Arc Speed (in./min)	30 - 33	24 - 27	19 - 21	15 - 17	11 - 12	20 - 22
Electrode Req'd (lb/ft)	0.12	0.18	0.24	0.30	0.42	0.69
Total Time (hr/ft of weld)	0.00635	0.00784	0.0100	0.0125	0.0174	0.0286
Electrical Stickout, 1-1/2 in.						

\* Classified "Commercial" because the fillets are smaller than required by most codes. The welds have strength in excess of requirements if an E70T-G electrode is used which has penetration capabilities.

† A fast-follow type E70T-G with penetration capability. See introductory notes.

## FLUX-CORED ARC WELDING (SEMI-AUTOMATIC) SELF-SHIELDED

Welding Position: Vertical down  
 Weld Quality Level: Commercial  
 Steel Weldability: Good or fair



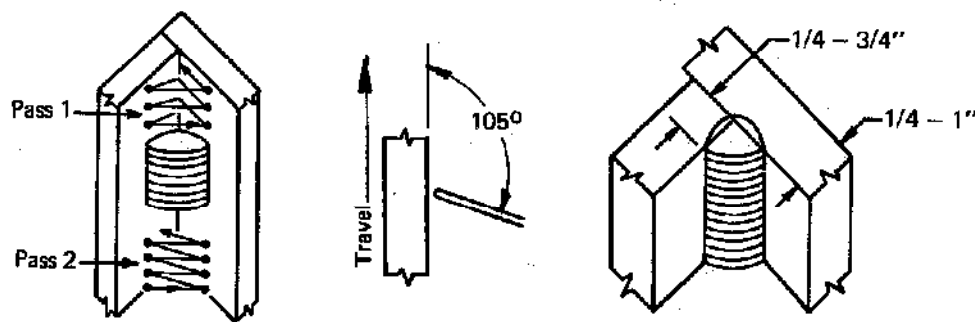
Weld Size, L (in.)			3/16	3/16+
Plate Thickness (in.)	0.105 (12 ga)	0.135 (10 ga)	3/16	1/4
Pass	1	1	1	1
Electrode Class* Size	E70T-G 5/64	E70T-G 5/64	E70T-G 3/32	E70T-G 3/32
Current (amp) DC(-)	235	260	300	300
Volts	19 - 20	20 - 21	21 - 22	21 - 22
Arc Speed (in./min)	30 - 33	26 - 29	25 - 28	22 - 24
Electrode Req'd (lb/ft)	0.045	0.061	0.082	0.10
Total Time (hr/ft of weld)	0.00635	0.00727	0.00755	0.00870
Electrical Stickout, 3/4 in.				

\* A fast-freeze type E70T-G.

See introductory notes.

## FLUX-CORED ARC WELDING (SEMI-AUTOMATIC) SELF-SHIELDED

Welding Position: Vertical up  
 Weld Quality Level: Commercial  
 Steel Weldability: Good



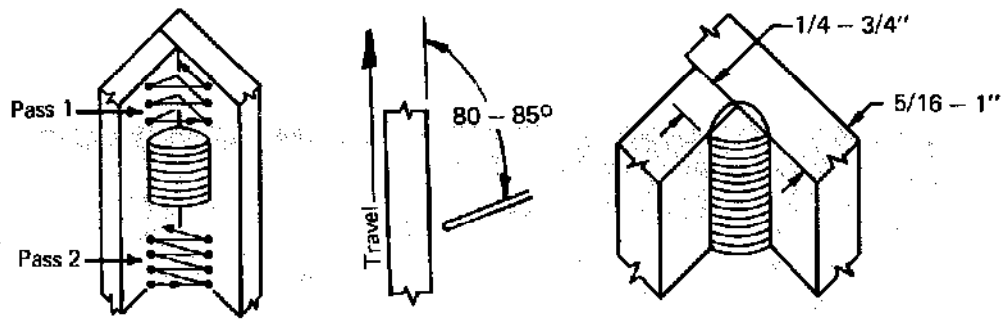
Weld Size, L (in.)	1/4(+)	5/16(-)	5/16	3/8	7/16	1/2	5/8	3/4
Plate Thickness (in.)	1/4	5/16	3/8	1/2	9/16	5/8	3/4	1
Pass	1	1	1	1	1	1	1   2	1   2
Electrode Class* Size	E70T-G 1/16	E70T-G 1/16	E70T-G 1/16	E70T-G 1/16	E70T-G 1/16	E70T-G 1/16	E70T-G 1/16	E70T-G 1/16
Current (amp) DC(-)	130	140	155	155	155	185	185	185
Volts	19.0	19.5	20.0	20.0	20.0	21.5	21.5	21.5
Arc Speed (in./min)	3.8 - 4.2	3.5 - 3.9	3.2 - 3.4	2.3 - 2.5	1.9 - 2.1	1.7 - 1.9	2.3 - 2.5   2.4 - 2.8	2.2 - 2.6   1.4 - 1.6
Electrode Req'd (lb/ft)	0.180	0.210	0.285	0.345	0.468	0.662	0.967	1.35
Total Time (hr/ft of weld)	0.0500	0.0542	0.0607	0.0833	0.100	0.111	0.161	0.217
Electrical Stickout, 1 in., ± 1/4 in.								

\* A fast-freeze type E70T-G. See introductory notes.

**FLUX-CORED ARC WELDING (SEMI-AUTOMATIC) SELF-SHIELDED**

Welding Position: Vertical up  
 Weld Quality Level: Code  
 Steel Weldability: Good or fair

Where Code Quality is indicated normal practice requires a procedure qualification test.

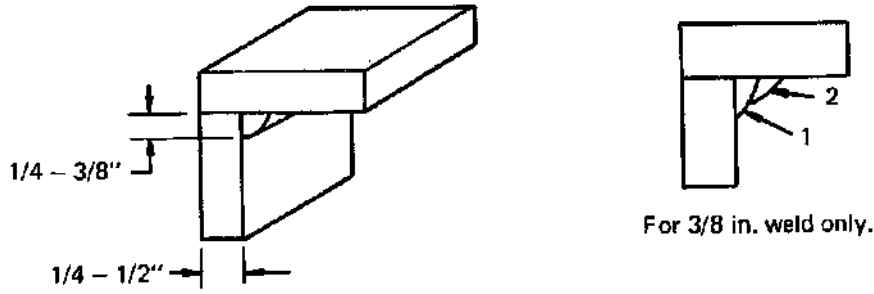


Weld Size, L (in.)	1/4	5/16	3/8	1/2	5/8	3/4
Plate Thickness (in.)	5/16	3/8	1/2	5/8	3/4	1
Class	1	1	1	1	1	1
Electrode Class	E60T-7	E60T-7	E60T-7	E60T-7	E60T-7	E60T-7
Size	5/64	5/64	5/64	5/64	5/64	5/64
Current (amp) DC(-)	150	160	170	180	190	200
Volts	18 - 19	18 - 19	18 - 19	19 - 20	19 - 20	19 - 20
Arc Speed (in./min)	3.0 - 3.3	2.1 - 2.3	1.6 - 1.8	1.0 - 1.1	0.70 - 0.75	0.65 - 0.60
Electrode Req'd (lb/ft)	0.22	0.34	0.47	0.92	1.27	1.74
Total Time (hr/ft of weld)	0.0635	0.0909	0.118	0.190	0.276	0.348
Electrical Stickout, 7/8 in.						

**FLUX-CORED ARC WELDING (SEMI-AUTOMATIC) SELF-SHIELDED**

Welding Position: Overhead  
 Weld Quality Level: Code  
 Steel Weldability: Good or fair

Where Code Quality is indicated normal practice requires a procedure qualification test.



Weld Size, L (in.)	1/4(-)	1/4	5/16	3/8
Plate Thickness (in.)	1/4	5/16	3/8	1/2
Class	1	1	1	1 - 2
Electrode Class	E60T-7	E60T-7	E60T-7	E60T-7
Size	5/64	5/64	5/64	5/64
Current (amp)	150	160	175	175
Volts	18 - 19	18 - 19	18 - 19	18 - 19
Arc Speed (in./min)	4.0 - 4.4	3.4 - 3.8	2.4 - 2.7	3.5 - 3.9
Electrode Req'd (lb/ft)	0.16	0.21	0.32	0.45
Total Time (hr/ft of weld)	0.0476	0.0555	0.0784	0.108
Electrical Stickout, 7/8 in.				

**FLUX-CORED ARC WELDING (SEMI-AUTOMATIC) SELF-SHIELDED**

Welding Position: Flat Weld Quality Level: Strength only Steel Weldability: Good				
Plate Thickness (in.)	0.105 (12 ga)	0.135 (10 ga)	3/16	
Pass	1	1	1	
Electrode Class	E70T-3	E70T-3	E70T-3	
Size	3/32	3/32	3/32	
Current (amp) DC(+)	450	500	500	
Volts	27 - 29	28 - 30	28 - 30	
Arc Speed (in./min)	85 - 95	65 - 75	38 - 42	
Electrode Req'd (lb/ft)	0.0370	0.0502	0.0940	
Total Time (hr/ft of weld)	0.00222	0.00286	0.00500	
Angle, E (deg)	55	50	45	
Angle, F (deg)	45	50	55	
Electrode location, X (in.)	3/64	1/16	5/64	
Electrical Stickout, 1-1/4 in.				

**FLUX-CORED ARC WELDING (SEMI-AUTOMATIC) SELF-SHIELDED**

Welding Position: Horizontal Weld Quality Level: Commercial Steel Weldability: Good or fair					
Weld Size, L (in.)			3/16 (-)	3/16 (+)	1/4
Plate Thickness (in.)	0.105 (12 ga)	0.135 (10 ga)	3/16	1/4	5/16
Pass	1	1	1	1	1
Electrode Class*	E70T-G	E70T-G	E70T-G	E70T-G	E70T-G
Size	5/64	5/64	3/32	3/32	3/32
Current (amp) DC(-)	260	275	315	340	350
Volts	20.5	20.5	23.5	25.5	25.5
Arc Speed (in./min)	28 - 31	26 - 28	20 - 22	17 - 19	14 - 16
Electrode Req'd (lb/ft)	0.057	0.067	0.11	0.14	0.18
Total Time (hr/ft of weld)	0.00678	0.00741	0.00952	0.0111	0.0133
Electrical Stickout (in.)	3/4	3/4	1-1/4	1-1/4	1-1/4

\* A fast-freeze type E70T-G. See introductory notes.

**FLUX-CORED ARC WELDING (SEMI-AUTOMATIC) SELF-SHIELDED**

Welding Position: Horizontal Weld Quality Level: Commercial Steel Weldability: Good or fair					
Weld Size, L (in.)	3/16	1/4 (-)	1/4 (+)	5/16	3/8
Plate Thickness (in.)	3/16	1/4	5/16	3/8	1/2
Pass	1	1	1	1	1
Electrode Class*	E70T-G	E70T-G	E70T-G	E70T-G	E70T-G
Size	7/64	7/64	7/64	7/64	7/64
Current (amp) DC(-)	350	400	425	450	475
Volts	25 - 26	26 - 27	27 - 28	28 - 29	29 - 30
Arc Speed (in./min)	21 - 23	20 - 22	19 - 21	15 - 17	11 - 12
Electrode Req'd (lb/ft)	0.13	0.16	0.19	0.26	0.39
Total Time (hr/ft of weld)	0.00909	0.00952	0.0100	0.0125	0.0174
Electrical Stickout, 1-1/2 in.					

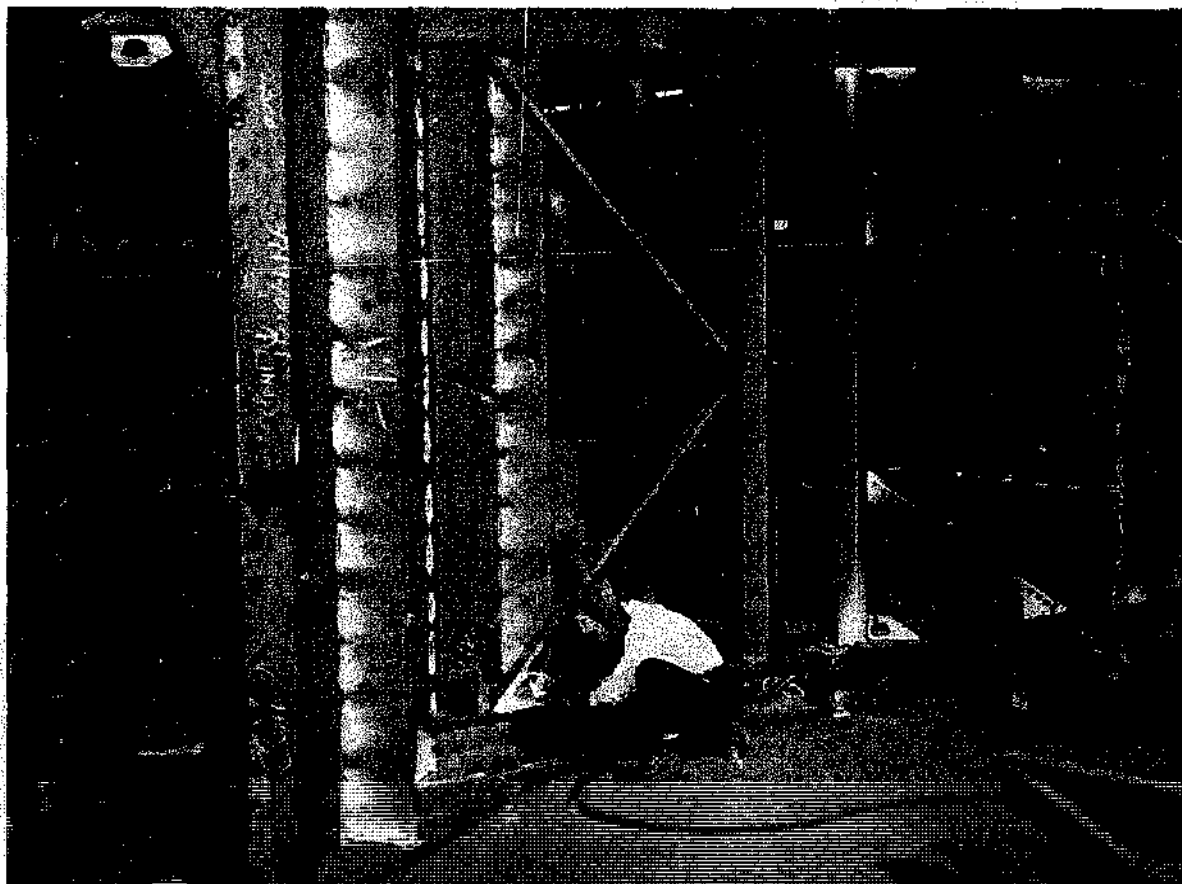
\* A fast-follow type E70T-G.  
See introductory notes.

**FLUX-CORED ARC WELDING (SEMI-AUTOMATIC) SELF-SHIELDED**

Welding Position: Horizontal Weld Quality Level: Commercial Steel Weldability: Good								
Weld Size, L (in.)	3/16	1/4		5/16		3/8 (-)		1/2 (-)
Plate Thickness (in.)	3/16	1/4		5/16		3/8		1/2
Pass	1	1	1	1	1	1	1	1
Electrode Class	E70T-4	E70T-4	E70T-4	E70T-4	E70T-4	E70T-4	E70T-4	E70T-4
Size	3/32	3/32	1/8	3/32	1/8	3/32	1/8	1/8
Current (amp) DC(+)	275	350	450	350	450	350	450	450
Volts	28 - 29	30 - 31	28 - 31	30 - 31	28 - 31	30 - 31	28 - 31	28 - 31
Arc Speed (in./min)	19 - 21	18 - 20	24 - 26	15 - 17	19 - 21	14 - 16	16 - 18	12 - 14
Electrode Req'd (lb/ft)	0.113	0.171	0.189	0.202	0.231	0.214	0.269	0.346
Total Time (hr/ft of weld)	0.0100	0.0105	0.00800	0.0125	0.0100	0.0133	0.0118	0.0154
Angle, E (deg)	35 - 40	35 - 40	30 - 35	30 - 35	30 - 35	30 - 35	25 - 30	25 - 30
Electrode location, X (in.)	0 - 1/16	0 - 1/16	3/32 - 1/8	3/32 - 1/8	3/32 - 1/8	3/32 - 1/8	5/32	3/32
Electrical Stickout, 2-3/4 in.								

## FLUX-CORED ARC WELDING (SEMI-AUTOMATIC) SELF-SHIELDED

Welding Position: Horizontal Weld Quality Level: Strength only Steel Weldability: Good			
Plate Thickness (in.)	0.105 (12 ga)	0.135 (10 ga)	3/16
Pass	1	1	1
Electrode Class	E70T-3	E70T-3	E70T-3
Size	3/32	3/32	3/32
Current (amp) DC(+)	450	500	500
Volts	27 - 29	28 - 30	28 - 30
Arc Speed (in./min)	85 - 95	70 - 80	40 - 46
Electrode Req'd (lb/ft)	0.0370	0.0502	0.0874
Total Time (hr/ft of weld)	0.00222	0.00267	0.00465
Drag Angle, A (deg)	45	45	50
Electrode location, X (in.)	3/64	1/16	5/64
Electrical Stickout, 1-1/4 in.			



Self-shielded flux-cored electrode welding structural assembly for a concrete batch-mixing plant.

## Welding Carbon and Low-Alloy Steels with the Gas-Shielded Flux-Cored Electrode Process

As noted in Section 5.4, gas-shielded flux-cored arc welding has similarities both to self-shielded flux-cored welding and to gas metal-arc welding. It differs from the former in that a separately applied gas, usually carbon dioxide, acts as the shield, and it differs from MIG welding in that the electrode is tubular instead of a solid wire. The tubular electrode contains fluxing and deoxidizing substances for mild steel, and, in addition, may contain alloying elements for low-alloy steels.

Electrodes are specified in AWS A5.20-69. Table 6-24 (Section 6.4) gives chemical requirements of the deposited metal, Table 6-25 lists test requirements, and Table 6-26 gives mechanical property requirements of the deposited weld metal.

The AWS specification covers only mild-steel electrodes, and there is no specification for low-alloy steel electrodes. However, electrodes are available, though not classified, for the low-alloy steels

such as 1-1/2 Mn-1/2 Mo, 1 Cr-1/2 Mo, 2-1/4 Cr-1 Mo, 1% Ni, and the Q-and-T steels.

Electrode sizes generally range from 0.045-in. to 1/8-in., with 5/32-in. and larger diameters available on special order. Electrodes 3/32-in. and larger are usually limited to downhand welding; electrodes 5/64-in. and smaller may be used to weld out-of-position by operating at the low end of the welding-current range.

Typical mechanical properties of mild-steel and low-alloy steel weld deposits are shown in Table 6-29. Typical current ranges are listed in Table 6-30.

Figure 6-81 shows deposition rates for typical current ranges for various diameters of E70T1 electrode with CO<sub>2</sub> shielding. Deposition efficiencies of gas-shielded flux-cored electrodes generally range from 85 to 90%.

The shielding gas is usually CO<sub>2</sub> (dew point should be at least -45°F), and, for most applica-

**TABLE 6-29. Typical Mechanical Properties of Weld Metal  
Deposited with CO<sub>2</sub>-Shielded Flux-Cored Electrodes**

Alloy Type or AWS Class	AW (As Welded) or SR (Stress Relieved)	Yield Strength (1000 psi)	Tensile Strength (1000 psi)	Elongation in 2 in. (%)	Impact Strength (ft-lb) Charpy V-Notch				
					Test Temperature (°F)				
					+72	-25	-50	-60	-75
E70T-1	AW SR(1150°F)	77.5	85	30	98	41	25	21	....
		62	74	34	86	42	25	19	....
E70T-2*	AW	81	86	30	....	....	....	....	....
1-1/2% Mn- 1/2% Mo	AW SR(1150°F)	97	108.5	16.5	50	30	24	....	....
		96.5	107.8	17	....	....	....	....	....
1% Cr- 1/2% Mo	SR(1275°F)	78.5	88	25	....	....	....	....	....
1-1/4% Cr- 1/2% Mo	AW SR(1275°F) SR(1350°F)	94	106	14	....	....	....	....	....
		75	88	22	....	....	....	....	....
		71	85	22	....	....	....	....	....
2-1/4% Cr- 1% Mo	AW SR(1275°F) SR(1350°F)	109.5	128	12	....	....	....	....	....
		82.5	96	20	....	....	....	....	....
		77.6	92	20	....	....	....	....	....
1% Ni	AW SR(1150°F)	79.3	88.6	24	64	....	....	32	26
		76.7	85.8	29	74	....	....	29	25
Q and T	AW SR(1050°F)	107.5	119	20	47	....	....	27	24
		109	121	20	40	....	....	22	19

\* Single pass weld.



TABLE 6-30. Typical Current Ranges for CO<sub>2</sub>-Shielded Flux-Cored Electrodes

Electrode Diameter (in.)	Current Range (amp)
1/16, 5/64	150 to 450
3/32	300 to 550
7/64, 1/8	400 to 650

tions, the gas flow is 25 to 45 cfh. Higher flow rates may be necessary when welding in drafts. Mixtures of argon with oxygen and argon with CO<sub>2</sub> reduce spatter and penetration and are sometimes preferred for welding thin material.

Wire-feeding equipment is essentially the same for the cored electrode as for solid electrode. However, since the diameter of cored wire is larger than a solid electrode for a comparable application, the

feeding equipment must be able to feed larger wire. Power sources are the constant-voltage type — the same as used with self-shielded flux-cored welding.

### WELDING VARIABLES

The appearance and quality of welds are affected by such variables as arc voltage, travel rate, electrode angle, electrical stickout, nozzle-to-work distance, gas-flow rate and drafts or winds.

**Arc Voltage:** If the arc voltage is too high, the bead tends to widen in an irregular manner, with excessive spatter. Too low arc voltage results in a narrow, high bead with excessive spatter and reduced penetration.

**Travel Rate:** As with other mechanized processes, travel rate affects the build-up of molten metal and penetration into the base material. Slow

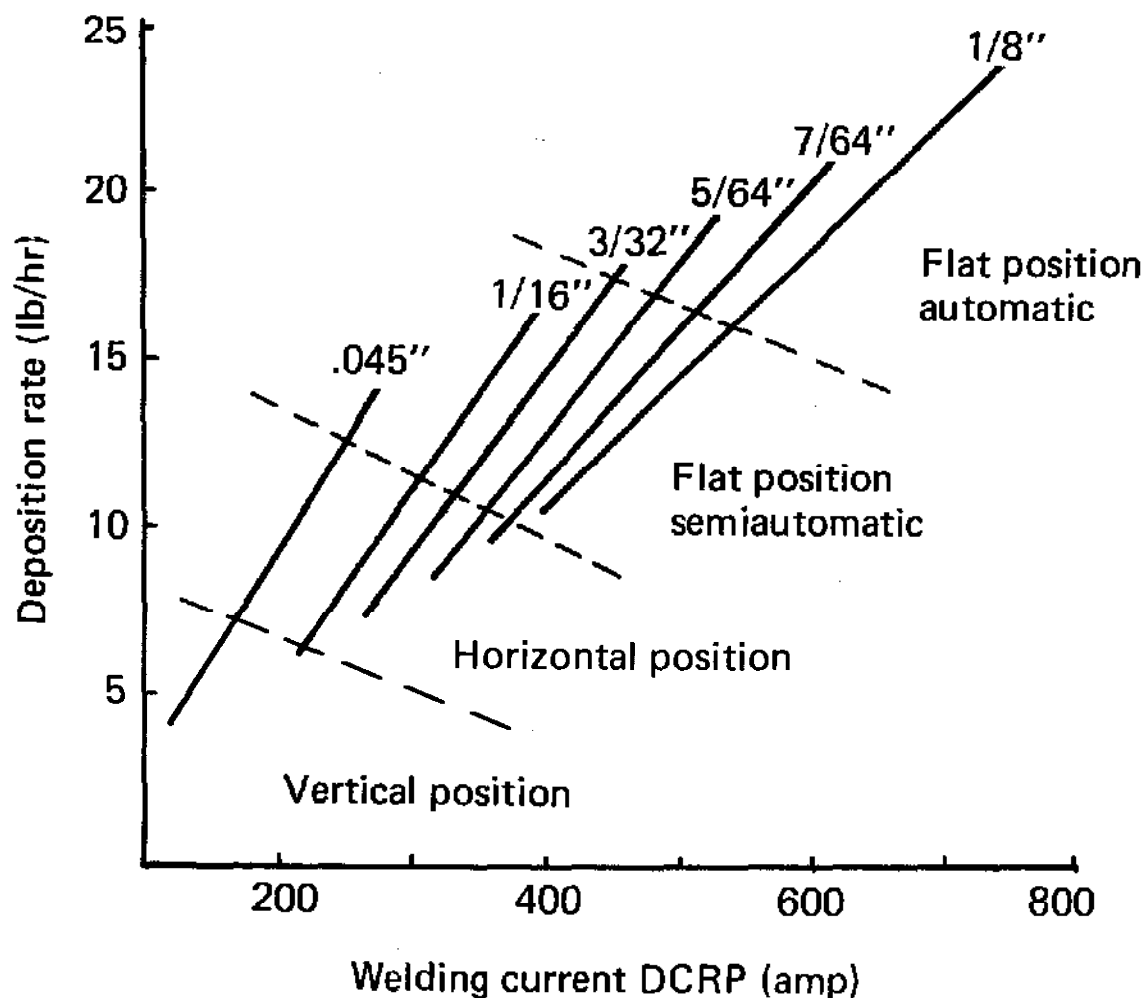


Fig. 6-81. Deposition rate versus current — for various diameters of E70T-1 electrode with CO<sub>2</sub> shielding.

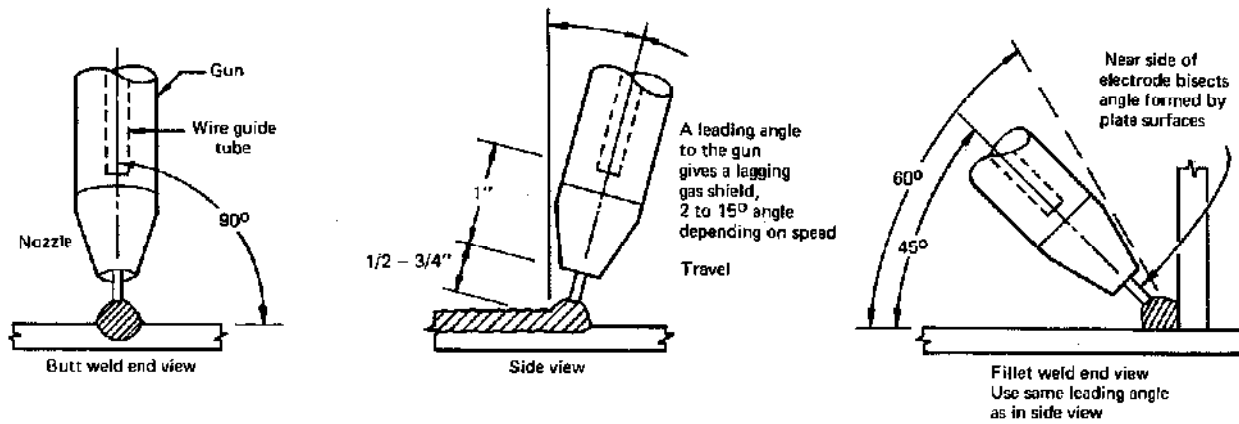


Fig. 6-82. Correct gun positions for gas-shielded flux-cored arc welding.

travel increases penetration, but excessively slow travel can lead to excessive build-up of molten metal, overheating of the weld area, and a rough-appearing bead. Too high travel rates may result in inadequate penetration and a ropy, irregular bead. Travel rates between 12 and 30 inches per minute usually give satisfactory results.

**Electrode Angle:** Figure 6-82 shows the correct gun positions when welding with gas-shielded flux-cored electrodes. With a butt weld, the electrode should be perpendicular to the sides of the joint and slanted from 2 to 15° in the direction of travel. The leading angle results in a “lagging” gas shield, with much of the gas flowing back over the newly deposited weld metal. With a fillet weld, the electrode is dropped off center of the joint approximately half the diameter of the electrode, as shown in Fig. 6-82, and a leading angle of 2 to 15° used.

**Electrical Stickout:** Varying the electrical stickout — as with self-shielded flux-cored welding and submerged-arc welding — offers a method of controlling deposition rate and penetration. At a given rate of wire feed, a short stickout results in deeper penetration than a long stickout. With gas-shielded flux-cored electrodes, an electrical stickout of 3/4 to 1-1/4-in. is usually recommended, depending on the type of nozzle. If the stickout is excessive, spatter occurs, and arc shielding is lost. With increased stickout, the wire feed rate should be increased — which gives an increased deposition rate.

**Distance to Nozzle:** The distance of the nozzle to the work, as well as the electrical stickout, influences the performance (Fig. 6-83). The recommended nozzle-to-work distance is 3/4 to 1 in., which, with concentric-type nozzles, will give an electrical stickout of about 1 to 1-1/4 in. If the nozzle-to-work distance is too short, spatter may rapidly build up on the nozzle and contact tube.

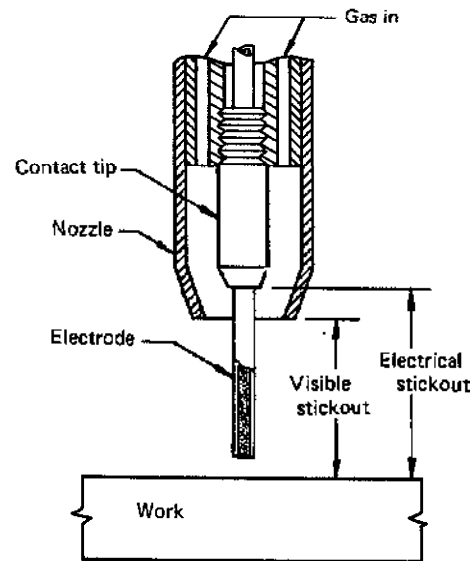


Fig. 6-83. The nozzle-to-work distance influences performance characteristics when welding with flux-cored electrodes.

With side-shielded nozzles, electrical stickout is normally set at 3/4 to 1-1/4 in.

**Gas Flow:** The gas flow will depend on the diameter of the nozzle, distance of nozzle from the work, and air movements in the welding region. Inadequate flow will result in poor shielding of the arc and molten metal, leading to weld porosity. Excessive gas flow can cause turbulence at the arc, resulting in porosity and irregular beads. Most welding with gas-shielded flux-cored electrodes is done with the gas flow in the range of 35 to 45 cubic feet per hour. When welding in moving air or when the stickout is longer than normal, flow rates up to 55 cubic feet per hour may be required. To maintain desired flow rates, it is necessary to keep the nozzle opening free from adhering spatter.

The following are typical procedures for welding carbon and low-alloy steel.

6.5-4 Welding Carbon and Low-Alloy Steel

Typical Procedures for Semiautomatic Gas-Shielded Flux-Cored Arc Welding  
With AWS E70T-1 Electrode and CO<sub>2</sub> Gas

Plt. Thickness (in.)	Root Opening (in.)	Passes	Electrode Size (in.)	Current DC+ (amp)	Volts	Average Arc Speed (in./min)	Total Time (hr/ft) of weld	Joint Design
1/8	1/16	1	5/64	325	28	40	0.0050	
1/2	1/4	2	3/32	450	32	12	0.0333	
1/2	0	2	3/32	480	30	14	0.0286	
1	0	6	7/64	525	32	11	0.108	
5/8	3/16	3	7/64	525	32	14	0.0428	
1	3/16	6	7/64	525	32	14	0.0855	
5/8	1/8	3	7/64	525	32	16	0.0374	
1	1/8	6	7/64	525	32	14	0.0855	
1	0	6	7/64	525	32	31	0.0385	
2	0	20	7/64	525	32	26	0.154	
1	0	4	7/64	500	32	17	0.0471	
2	0	12	7/64	500	32	13	0.185	
1/2	1/8	6	5/64	350	28	20	0.0599	
1	1/8	18	5/64	350	28	18	0.200	

Typical Procedures for Semiautomatic Gas-Shielded Flux-Cored Arc Welding  
With AWS E70T-1 Electrode and CO<sub>2</sub> Gas

Plate Thickness (in.)	Root Opening (in.)	Passes	Electrode Size (in.)	Current DC+ (amp)	Volts	Average Arc Speed (in./min)	Total Time (hr/ft) of weld	Joint Design
3/8	0	2	.045	180	22	8	0.0500	
1/2	0	3	.045	180	22	8	0.0750	
1/2	3/32	4	0.045	180	22	8	0.100	
1	3/32	9	0.045	180	22	5	0.356	
1	1/16	6	0.045	180	22	8	0.149	
2	1/16	16	0.045	180	2	5	0.627	
1/8	0	1	0.045	180	21	36	0.00555	
1/2	0	2	0.045	180	21	5	0.0834	
3/16	0	1	5/64	350	28	36	0.00555	
1/2	0	3	7/64	450	20	18	0.0333	

\* Vertical

Adapted from AWS Handbook, Section 3B

### VERTICAL ELECTRO-GAS WELDING

Figure 6-84 illustrates a specialized application of the gas-shielded flux-cored process — automatic vertical electro-gas welding. With it, plates 1/2 to 3 in. in thicknesses may be welded together in the vertical position. The edges of the vertical plate are butted with a gap of about 3/4 in. and water-cooled copper shoes are used on each side of the vertical joint to bridge the gap and prevent weld metal from

flowing from the joint as it is deposited. The wire-feed mechanism, controls, and copper shoes move vertically during operation on a vertical track. The entire operation is automated, and once the setup has been made a continuous weld up to 40-ft. long can be run without further adjustment.

A special flux-cored electrode, with CO<sub>2</sub> gas, is used. Its flux produces a thin layer of slag between the weld metal and copper shoes, without accumulating excessive slag above the weld puddle. The

6.5-6 Welding Carbon and Low-Alloy Steel

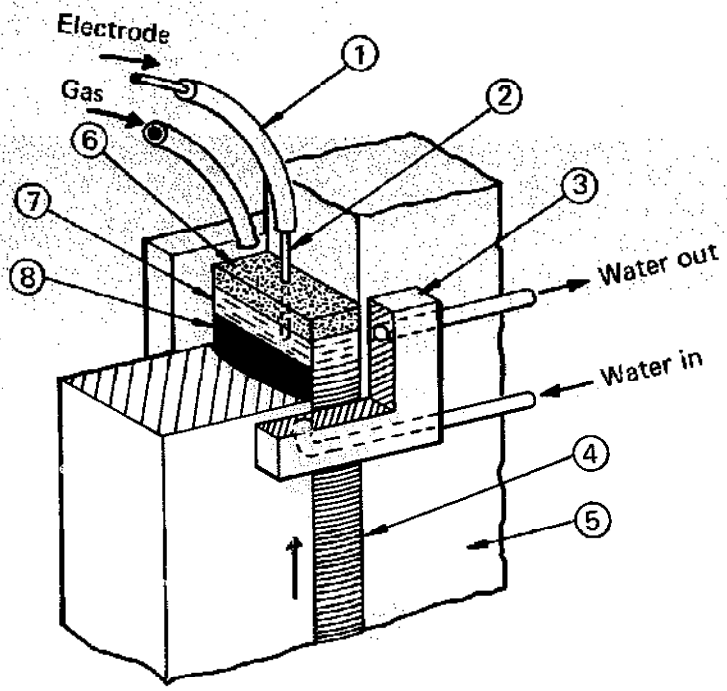


Fig. 6-84. The electro-gas vertical butt-welding process — a special application of gas-shielded flux-cored arc welding.

nonmetallic materials in the core are proportionately less than in conventional gas-shielded and self-shielded flux-cored electrodes.

The electro-gas process operates on direct current, with the electrode negative. With plate greater than 3/4-in. thick, oscillation of the electrode across the width of the joint is required.

This is accomplished by mounting the head on an oscillating carriage. The welding power source is constant-voltage, rated at 750 amp., 100% duty cycle.

Square, V-groove, and U-groove butt welds may be made by the electro-gas process. The equipment is relatively expensive, and only those having need for repetitively butt-joining plate use this automated variation of gas-shielded flux-cored welding.

# Welding Carbon and Low-Alloy Steels with the Gas Metal-Arc Process

AWS specification AWS A5.18-69, *Mild Steel Electrodes for Gas Metal-Arc Welding*, classes electrodes on the bases of chemical composition of the wire (Table 4-18) and mechanical properties of the deposited weld metal (Tables 4-16 and 4-17). This specification also gives recommendations for use of the electrode.

The AWS specification covers only mild-steel electrodes, but the chemical requirements of the electrodes in Group B do not fall strictly within the requirements of mild steel. The alloy additions to electrodes in Group B are for deoxidization and usability improvement and not for upgrading the strength of the weld deposit.

In general, electrodes with lower amounts of deoxidizer are intended for welding killed steels with argon-oxygen gas, but they can be used with other steels and CO<sub>2</sub> gas if quality requirements of the weld metal in regard to porosity are not critical. Those electrodes with higher amounts of deoxidizers produce quality welds on semikilled and rimmed steels as well as on killed steels. Electrodes (not listed in the specification) are also available for welding high-strength low-alloy steels and quenched-and-tempered steels.

## WELDING VARIABLES

**Metal-Transfer Modes:** As noted in Section 5.4, gas metal-arc welding may be accomplished by two

distinct modes of metal transfer — spray or short-circuiting.

Spray transfer is characterized by very fine droplets of metal being transferred in the arc and a high current density on the electrode. The shielding gas is argon or a mixture of argon and oxygen, and no short circuits occur in the arc.

Short-circuiting transfer occurs with low current density and low voltage. The arc short-circuits up to 200 times per second, and the metal is transferred during the short circuit. This technique is used on thin sheets (1/8 to 1/32-in. thick) and is especially applicable to vertical and overhead welding where the fitup is poor.

A variation of these two modes is the globular type of transfer that occurs when the current density is lower than that required for spray transfer or when CO<sub>2</sub> or mixtures of argon and CO<sub>2</sub> are used for shielding. In globular transfer, metal droplets are much larger in size, irregular in shape, and short circuits occur at irregular intervals. Globular transfer has limited use in vertical welding of large fillets.

**Porosity:** In order to avoid porosity, the proper electrode must be used. (For further information about electrodes, see the appendix of AWS A5.18 or consult the supplier.) Other ways to minimize porosity in welding carbon steel are:

1. Avoid excessive current densities. Change to a larger wire or lower the current.

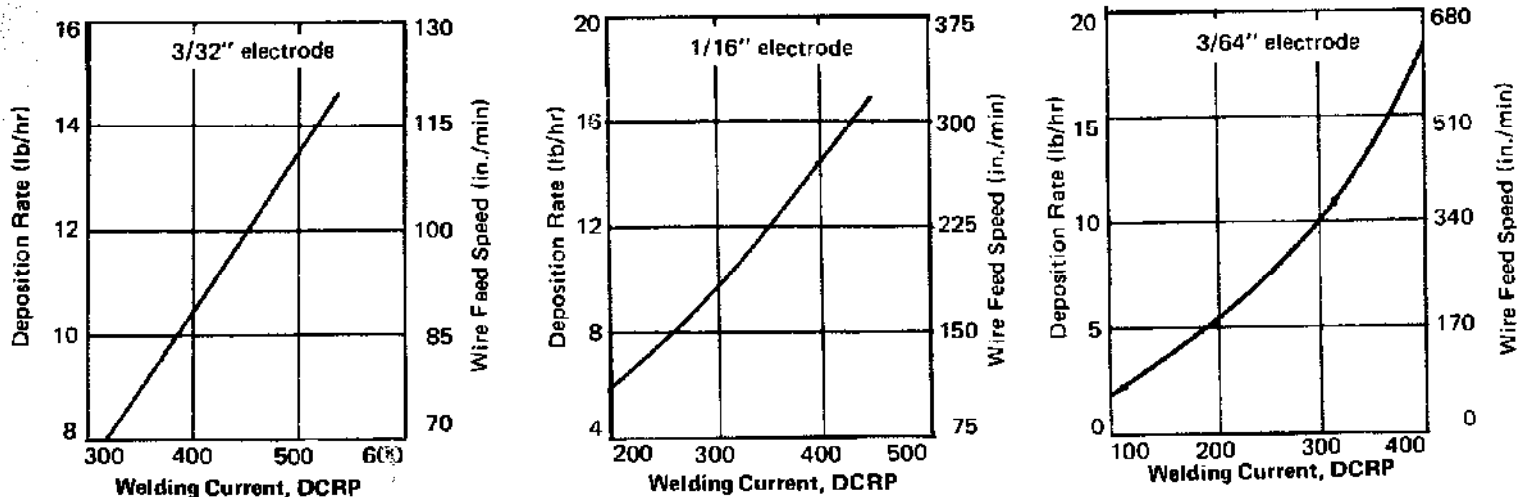


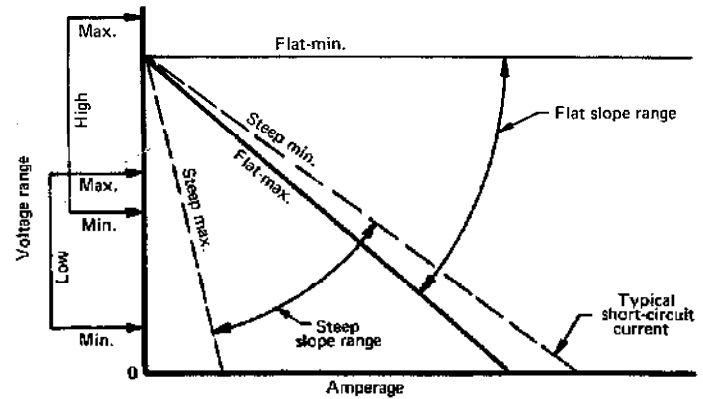
Fig. 6-85. Deposition rates of 3/32, 1/16, and 3/64-in. E70S-2 electrodes with argon-5% oxygen shielding gas.

2. Check the welding speed with recommended welding procedures. Too high a speed sometimes causes porosity.
3. Maintain a flow of shielding gas of 40 to 60 cfh when argon with 5% oxygen is used with spray transfer, and 10 to 15 cfh with short-circuiting transfer.
4. Keep the electrode centered in the gas flow from the gun.
5. When welding from both sides of the plate, be sure the first pass on the second side penetrates well into the weld on the first side. Back-chip if necessary.

**Deposition Rates:** Weld-metal deposition rates for three different wire sizes are indicated in Fig. 6-85. These rates are for a triple-deoxidized wire (E70S-2) used with a mixture of argon with 5% oxygen and spray-type transfer. Figure 6-86 shows similar information for E70S-2 wire used with a mixture of argon and 25% CO<sub>2</sub> and a short-circuiting-type transfer. These figures, along with the procedures, can be used for estimating the amount of wire required and welding costs.

**Equipment:** The wire-feeding equipment for solid electrode is essentially the same as that used for flux-cored electrode. The electrode is fed at a constant speed, and the current (DCRP) is supplied by a constant-voltage power source. The current is adjusted by changing the electrode feed, and the voltage is adjusted at the power source.

Conventional constant-voltage power sources are discussed in Section 4.2. More sophisticated power sources have been developed especially for gas metal-arc welding. These have adjustable slope control and adjustable inductance control. When a short circuit occurs in short-circuiting-type transfer,



Courtesy Linde Division, Union Carbide Corp.

Fig. 6-87. Slope and voltage ranges typical of power supplies that give control over slope, voltage, and inductance.

the slope determines the maximum short-circuit current, and the inductance determines the rate at which the current rises to the maximum. The proper combination of slope and inductance provides the optimum welding conditions for gas metal-arc welding. Figure 6-87 illustrates the slope and voltage ranges that are typical with such power supplies.

### JOINT DESIGN

Plate 1/8-in. thick and thinner (down to .035-in.) may be butt-welded with square edges, if an opening of zero to 1/16 in. is used. The short-circuiting technique should be used for wider openings. Short circuiting bridges relatively wide gaps and eliminates excessive penetration.

Plate thicknesses of 3/16-in. may be welded with square edges with a 1/16 to 3/32-in. opening. Two passes are usually necessary — one from each side. A bead overlap greater than the original root spacing is desired to prevent centerline porosity and cold laps.

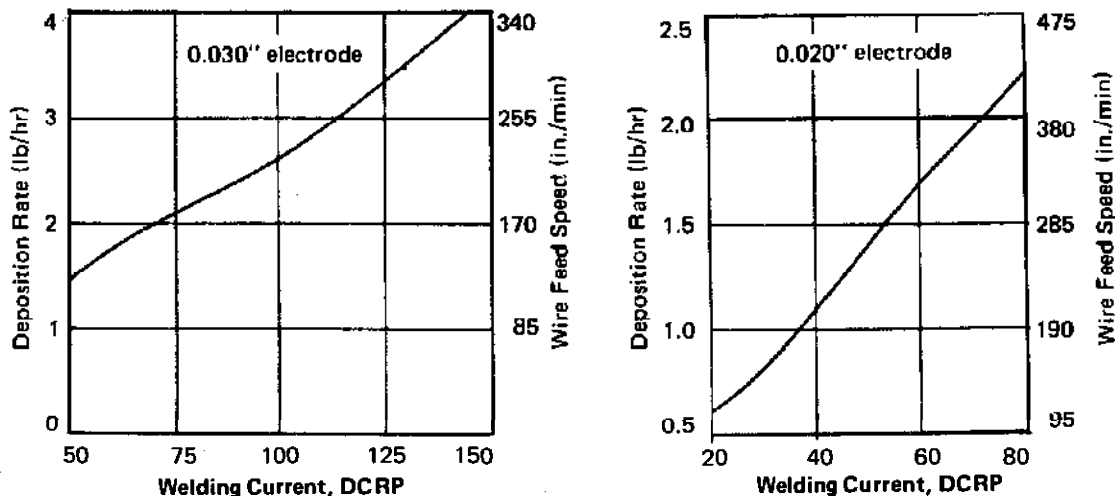


Fig. 6-86. Deposition rate of 0.030 and 0.020-in. E70S-2 electrodes with argon-25% CO<sub>2</sub> shielding gas, short-circuiting-type transfer.

Maximum overlap is attainable if the backhand technique is used on the second side.

For the best quality welds, some bevel should be provided. A 60° single or double-V joint is recommended. A root opening of zero to 1/16-in. should be maintained. Double-V welds can tolerate wider openings than single-V welds. In single-V grooves, a sealing pass from the reverse side will generally be required unless the fitup is uniform.

Plates 1/4-in. thick and thicker generally require single or double-V grooves with 60° included angles. It is generally advantageous to employ a double V. Less metal is needed to fill the joint and less distortion results when welding from alternate sides.

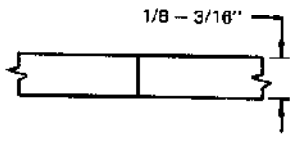
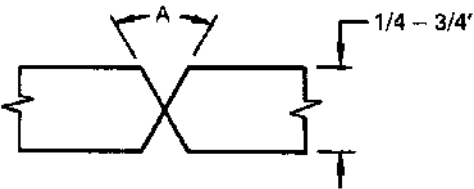
For both types of joints, zero root face is recom-

mended. This assures overlap of the root passes. A root face should not be considered unless an opening larger than normal can be maintained to insure penetration. Uniform penetration is obtainable in joints having no root face if the opening is held less than 3/32-in.

Poor fitup and root overlap should be avoided. Where variations in spacing greater than 1/16 in. are encountered, copper backup strips will prevent excessive penetration.

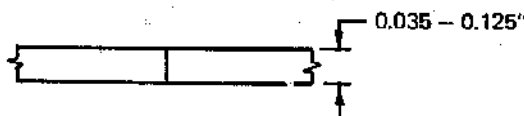
U grooves should be employed on plate thicker than 1 in. They require considerably less weld metal. Root spacings should be maintained between 1/32 and 3/32 in. Root face should be kept below 3/32 in. to assure adequate penetration.

**PROCEDURES FOR GAS METAL-ARC WELDING CARBON-STEEL BUTTS BY SPRAY TRANSFER**

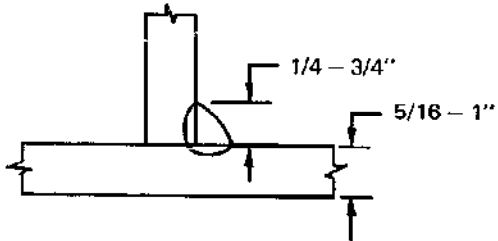
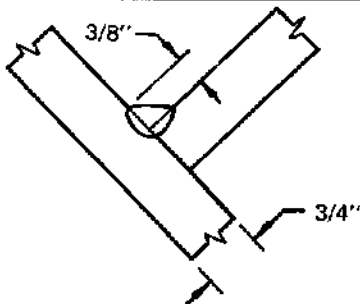
Gas — Argon with 5% O <sub>2</sub> Gas Flow 40-50 cfh									
Plate Thickness (in.)	1/8	3/16	1/4	5/16	1/2	3/4			
Electrode Size	1/16	1/16	3/32	3/32	3/32	3/32			
Pass	1	2	1	2	1	2	1	2	1 - 4
Current DCRP	280	375	375	430	400	420	400	450	450
Wire Speed (ipm)	165	260	83	95	87	92	87	100	100
Voltage	24	26	27	28	28	28			
Arc Speed (ipm)	20	24	24	20	14	12			
Total Time (hr/ft of weld)	0.0100	0.0167	0.0167	0.0200	0.0286	0.0667			
Angle A (degrees)			60	60	60	90			



**PROCEDURES FOR GAS METAL-ARC WELDING CARBON-STEEL BUTTS  
BY SHORT-CIRCUITING TRANSFER**

Gas – Argon with 25% CO <sub>2</sub> Gas Flow 10-15 cfh Electrode Size 0.030 in.						
Plate Thickness (in.)	0.035	0.047	0.063	0.078	0.100	0.125
Current DCRP	55	65	85	105	110	130
Wire Speed (ipm)	117	140	170	225	235	300
Voltage	16	17	17	18	18	19
Arc Speed (ipm)	13	15	15	15	15	16
Total Time (hr/ft of weld)	0.0154	0.0133	0.0133	0.0133	0.0133	0.0125

**PROCEDURES FOR GAS METAL-ARC WELDING OF CARBON-STEEL FILLETS  
BY SPRAY TRANSFER**

Gas – Argon with 5% O <sub>2</sub> Gas Flow 40 – 50 cfh Electrode Size 3/32 in.				
Weld Size, (in.)	1/4	5/16	3/4	3/8
Plate Thickness, (in.)	5/16	1/2	1	3/4
Pass	1	1	4	1
Current (DCRP)	400	450	450	475
Wire Feed Speed (ipm)	87	100	100	110
Voltage	27	28	28	30
Arc Speed (ipm)	16	12	7	9
Total Time (hr/ft of weld)	0.0125	0.0167	0.114	0.0222

# Welding Carbon and Low-Alloy Steels with the Gas Tungsten-Arc Process

Gas tungsten-arc welding is not widely used in mass production for welding carbon and low-alloy steel. Some applications, however, require the unique characteristics of the process and, in those applications, the process is the most economical method of welding. Porosity can be a problem but, if this can be resolved, the process is good for thin sheets and the first pass on multiple-pass butts welded from one side.

**TABLE 6-31. AWS 5.12-69 Chemical Requirements for Tungsten Electrodes**

AWS Electrode Class	Composition (%)			
	Tungsten*	Thoria†	Zirconia	Other‡
EWP	99.5	—	—	0.5
EWTh-1	98.5	0.8 to 1.2	—	0.5
EWTh-2	97.5	1.7 to 2.2	—	0.5
EWTh-3	98.95	0.35 to 0.55	—	0.5
EWZr	99.2	—	0.15 to 0.40	0.5

\* Minimum, by difference.

† Chemical analysis may be made by any method agreed upon by supplier and purchaser. If there is a dispute regarding thoria content, the procedure described in Specification F288, ASTM Standards, Part 8, shall be used.

‡ Total of other elements, maximum.

**TABLE 6-32. Typical Current Ranges for Tungsten Electrodes (DCSP, Argon Shielding Gas)**

Current Range (amp)	Electrode Diameter (in.)
To 15	0.010
5 - 20	0.020
15 - 80	0.040
70 - 150	1/16
150 - 250	3/32
250 - 400	1/8
350 - 500	5/32
500 - 750	3/16
750 - 1000	1/4

Killed steel is fully deoxidized during the refining process and little difficulty from porosity is experienced in welding this material with the gas tungsten-arc process. Rimmed steel is not fully deoxidized and can be a cause of porosity unless filler metal of the proper composition is added. A filler rod containing deoxidizers similar to Class E70S-2 (AWS specification A5.18-69) is satisfactory, (see Table 4-18). If filler metal cannot be added, a fluxing material can be used to minimize porosity.

Low-alloy steels such as the chromium-molybdenum alloys (ASTM A387 and A335) are fully deoxidized and can be welded using a rod with a composition similar to the base metal. Alloy losses due to welding are negligible.

One important characteristic of gas tungsten-arc welding is its ability to weld thin sheets or the first pass in the bottom of a groove with complete penetration and a uniform, continuous bead on the underside. For example, the first bead in the bottom of a circumferential pipe joint can be fully penetrated, and a continuous small bead is laid on the inside of the pipe. This method has considerable advantage over using a backup ring.

Electrodes used for gas tungsten-arc welding are of three types; pure tungsten, thoriated tungsten, and zirconium-tungsten. Specifications for tungsten electrodes are listed in AWS A5.12-69, and chemical requirements are given in Table 6-31. Recommended current range for each electrode size is given in

**TABLE 6-33. Typical Conditions for Butt-Welding Mild and Low-Alloy Steels with Gas Tungsten-Arc Process**

Thickness (in.)	Current, DCSP (amp)	Suggested Rod Size (in.)	Average Welding Speed (ipm)	Argon Flow (cfh)
0.035	100	1/16	12 - 15	8 - 10
0.049	100 - 125	1/16	12 - 18	8 - 10
0.060	100 - 140	1/16	12 - 18	8 - 10
0.089	140 - 170	3/32	12 - 18	8 - 10
0.125	150 - 200	1/8	10 - 12	8 - 10

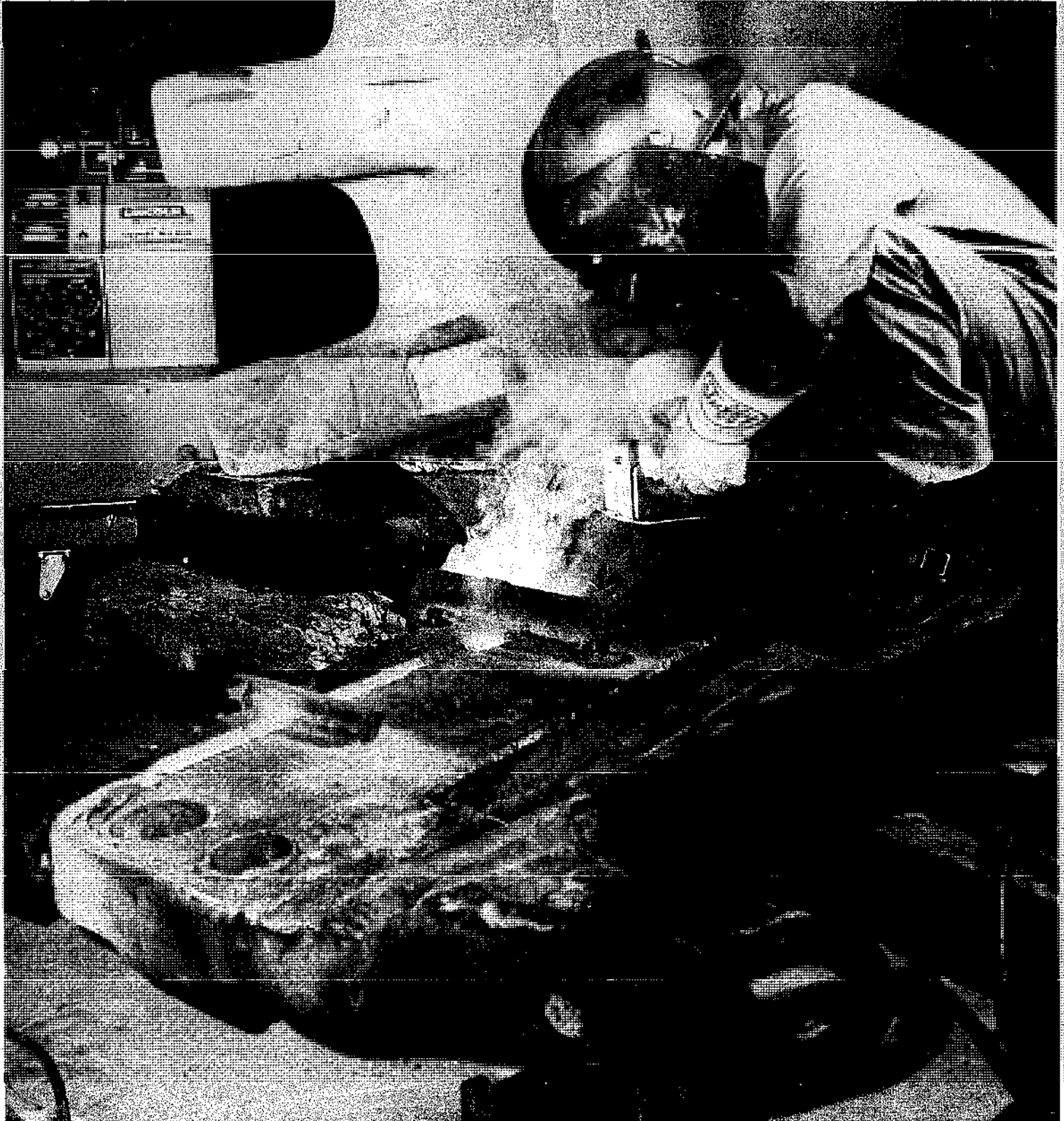
## 6.7-2 Welding Carbon and Low-Alloy Steel

Table 6-32. For mild and low-alloy steels, argon is the preferred shielding gas. Typical welding conditions for butt joints are given in Table 6-33.

Welding torches are available in several sizes. Those used up to about 200 amp are air-cooled;

water cooling is necessary for operation at higher currents.

For mild and low-alloy steels, DCSP is used, supplied by a variable-voltage-type power source. This equipment is described in Section 4.2.



The lip on a dragline bucket wears thin and must be repaired. Here the worn areas were cut out and replaced with new plate. The patches are being welded in with a semiautomatic process.

**WELDING STAINLESS STEEL****SECTION 7.1****WELDABILITY OF STAINLESS STEELS**

	Page
Chemical Compositions and Nomenclature . . .	7.1-1
AISI Stainless-Steel Grades . . . . .	7.1-1
Welding the AISI Stainless Steels . . . . .	7.1-6
Austenitic Grades . . . . .	7.1-6
Ferrite and Sigma Phase . . . . .	7.1-6
Carbide Precipitation . . . . .	7.1-8
Stabilized Steels . . . . .	7.1-8
Ferritic Grades . . . . .	7.1-9
Martensitic Grades . . . . .	7.1-9
Electrode Selection Without Heat Treating . . . . .	7.1-9
Preheating and Postheating . . . . .	7.1-9
Precipitation-Hardening Stainless Steels . . . . .	7.1-9
Semiaustenitic Grades . . . . .	7.1-11
Martensitic Grades . . . . .	7.1-11
Austenitic Grades . . . . .	7.1-11

**SECTION 7.2****WELDING STAINLESS STEELS  
WITH THE SHIELDED METAL-ARC PROCESS**

Selecting Electrodes . . . . .	7.2-2
Considerations in Welding . . . . .	7.2-3
Welding Procedure Data . . . . .	7.2-6

**SECTION 7.3****WELDING STAINLESS STEELS  
WITH THE SUBMERGED-ARC PROCESS**

Joint Design . . . . .	7.3-1
Welding Procedures . . . . .	7.3-2
Weld Backup . . . . .	7.3-2
Inclination of Work . . . . .	7.3-2
Welding Flux . . . . .	7.3-2
Welding Electrodes . . . . .	7.3-2
Welding Technique . . . . .	7.3-3

**SECTION 7.4****WELDING STAINLESS STEELS  
WITH THE GAS METAL-ARC PROCESS**

Spray-Arc Transfer . . . . .	7.4-1
Welding Procedure Data . . . . .	7.4-1
Short-Circuiting Transfer . . . . .	7.4-2
Welding Procedure Data . . . . .	7.4-2
Pulsed-Arc Transfer . . . . .	7.4-4
Welding Electrodes . . . . .	7.4-4
Special Consideration . . . . .	7.4-4

**SECTION 7.5****WELDING STAINLESS STEELS  
WITH THE GAS TUNGSTEN-ARC PROCESS**

Electrodes . . . . .	7.5-1
Welding Rods . . . . .	7.5-1
Welding Procedure Data . . . . .	7.5-1
Automatic TIG Welding . . . . .	7.5-2
Hot-Wire Welding . . . . .	7.5-3
Multiple-Electrode Welding . . . . .	7.5-3

# Weldability of Stainless Steels

As a family, the stainless steels offer a combination of mechanical properties, corrosion resistance, and heat resistance unmatched by other commercial metals. Applications range from pots and pans and other kitchenware to complex and sophisticated aircraft landing-gear members. More than 40 wrought compositions of the stainless steels are designated by the American Iron and Steel Institute, and many other stainless alloys — notably, various precipitation-hardening grades — are marketed under proprietary designations.

This section discusses the properties and characteristics of stainless steels, particularly as they affect weldability of these metals. It is a prelude to succeeding sections, in which the selection of welding processes and electrodes is discussed and other information on the welding of stainless steels is presented.

## CHEMICAL COMPOSITIONS AND NOMENCLATURE

Chromium is the element that makes stainless steels stainless, or corrosion-resistant. Stainless steels are iron-chromium alloys (most have a low-carbon content) that contain at least 11% chromium. The 11% level is the content at which effective resistance to atmospheric corrosion begins. Many stainless alloys contain larger amounts of chromium to further improve corrosion resistance and to increase resistance to oxidation at high temperatures.

Addition of elements other than chromium to improve various properties has provided a large range of available mechanical and physical properties. Nickel, for example, in excess of about 6%, increases corrosion resistance slightly and greatly improves mechanical and fabricating properties. Manganese, in conjunction with small amounts of nitrogen, is sometimes used as a replacement for part of the higher-price nickel. Small amounts of molybdenum increase resistance to pitting-type corrosion and general resistance to certain corrosive media. Molybdenum also improves high-temperature strength. Silicon, in larger amounts than used in other alloys, increases oxidation resistance at high temperatures. Sulfur and selenium impart free-

machining characteristics. Columbium, titanium, and tantalum additions stabilize carbides and reduce susceptibility to intergranular corrosion.

## AISI Stainless-Steel Grades

Initially, stainless steels were named according to their chromium and nickel contents. Thus, one of the first types developed, which contained 18% chromium and 8% nickel, was called 18-8 stainless. As more stainless-steel alloys were developed, this nomenclature became unwieldy. The American Iron and Steel Institute, then, established a numbering system to classify the nonproprietary and generally accepted alloys in the stainless-steel family. At the time of publication, AISI recognized as standard alloys 44 grades of stainless-steel compositions.

In the AISI system, the chromium stainless steels are assigned numbers in the 400 series, and the chromium-nickel compositions have 300-series designations. The old 18-8 stainless became type 302, and a 17%-chromium grade became type 430.

Variations of the standard classifications are accommodated in the AISI system by letters following the numbers. For example, low-carbon versions of type 304 and 316 are designated as 304L and 316L. Free-machining variations of standard alloys are indicated by the letter F or the symbol for an added element, after the number. Examples are types 430F and 303Se.

Some producers identify their stainless grades by the old alloy designation; some use the AISI numbers. The AISI-recognized grades are available from most producers, but grades that are designated simply as 303 or 430 (the same numbers as AISI types) do not necessarily have the same compositions of the corresponding-number AISI types. The reason for this is that some producers have developed modifications of certain standard AISI compositions to improve a property or the fabricability of an alloy for a specific application. If such a producer has a good market for this modified grade, it becomes standard with him. But he still may apply the AISI grade number to it, because it is very close to the standard composition. Thus, when the designer specifies a stainless-steel grade, he should either specify by the AISI type or he should

## 7.1-2 Welding Stainless Steel

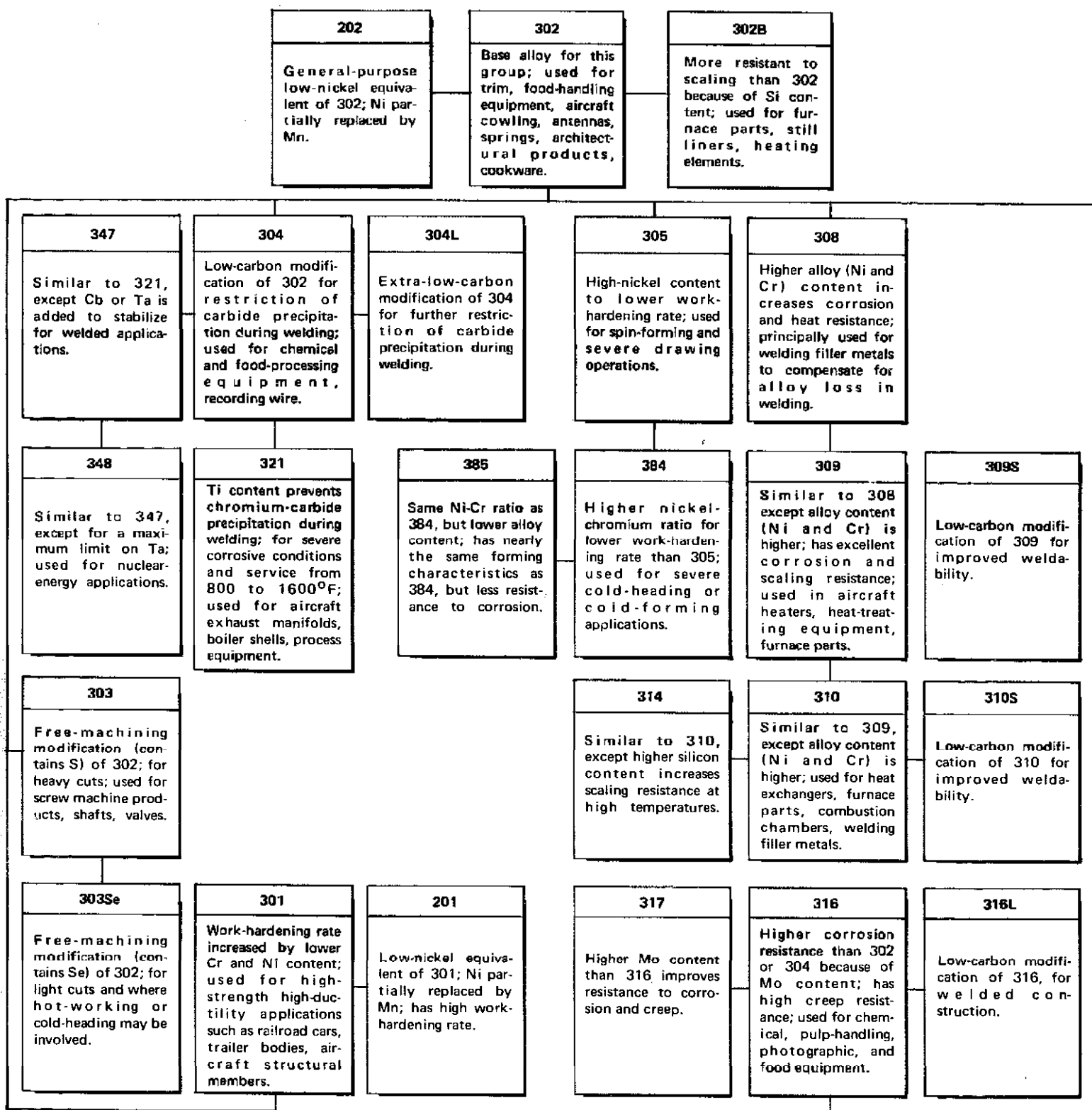


Fig. 7-1. The AISI austenitic stainless steels.

investigate the suitability of the slightly modified grades available from various producers. Most producers supply the alloys to either specification.

The AISI classifies stainless steels by their metallurgical structures. This system is useful

because the structure (austenitic, ferritic, or martensitic) indicates the general range of mechanical and physical properties, formability, weldability, and hardenability.

*Austenitic Stainless Steels:* The highest tonnage

TABLE 7-1. Typical Compositions of Austenitic Stainless Steels

AISI Type	Composition* (%)			
	Carbon	Chromium	Nickel	Othert
201	0.15	16.0 – 18.0	3.5 – 5.5	0.25 N, 5.5 – 7.5 Mn, 0.060 P
202	0.15	17.0 – 19.0	4.0 – 6.0	0.25 N, 7.5 – 10.0 Mn, 0.060 P
301	0.15	16.0 – 18.0	6.0 – 8.0	—
302	0.15	17.0 – 19.0	8.0 – 10.0	—
302B	0.15	17.0 – 19.0	8.0 – 10.0	2.0 – 3.0 Si
303	0.15	17.0 – 19.0	8.0 – 10.0	0.20 P, 0.15 S (min), 0.60 Mo (opt)
303Se	0.15	17.0 – 19.0	8.0 – 10.0	0.20 P, 0.06 S, 0.15 Se (min)
304	0.08	18.0 – 20.0	8.0 – 12.0	—
304L	0.03	18.0 – 20.0	8.0 – 12.0	—
305	0.12	17.0 – 19.0	10.0 – 13.0	—
308	0.08	19.0 – 21.0	10.0 – 12.0	—
309	0.20	22.0 – 24.0	12.0 – 15.0	—
309S	0.08	22.0 – 24.0	12.0 – 15.0	—
310	0.25	24.0 – 26.0	19.0 – 22.0	1.5 Si
310S	0.08	24.0 – 26.0	19.0 – 22.0	1.5 Si
314	0.25	23.0 – 26.0	19.0 – 22.0	1.5 – 3.0 Si
316	0.08	16.0 – 18.0	10.0 – 14.0	2.0 – 3.0 Mo
316L	0.03	16.0 – 18.0	10.0 – 14.0	2.0 – 3.0 Mo
317	0.08	18.0 – 20.0	11.0 – 15.0	3.0 – 4.0 Mo
321	0.08	17.0 – 19.0	9.0 – 12.0	Ti (5 x %C min)
347	0.08	17.0 – 19.0	9.0 – 13.0	Cb + Ta (10 x %C min)
348	0.08	17.0 – 19.0	9.0 – 13.0	Cb + Ta (10 x %C min but 0.10 Ta max), 0.20 Co

\* Single values denote maximum percentage unless otherwise noted.

† Unless otherwise noted, other elements of all alloys listed include maximum contents of 2.0% Mn, 1.0% Si, 0.045% P, and 0.030% S. Balance is Fe.

of weldable stainless steels produced are of the austenitic grades. These are the chromium-nickel steels of the AISI 200 and 300 series in which chromium usually exceeds 17% and nickel, with a few exceptions, exceeds 7% (Table 7-1). The principal characteristic of this group is the retention of an austenitic structure during cooling from elevated temperatures. The basic grade — type 302 — contains 18% chromium and 8% nickel. More or less of these elements, as well as other alloying additions, have been used to create various alloys in this family for specific end-use or fabrication requirements (Fig. 7-1). In the 200-series alloys, manganese and nitrogen are substituted for part of the nickel.

The austenitic types generally have high ductility, low yield strength, and high ultimate strength — characteristics that make them suitable for forming and deep-drawing operations. These steels can be work-hardened to high levels, although not as high as can be obtained by heat treating the hardenable types of the 400 series. In the annealed condition, austenitic grades are nonmagnetic and, depending on composition, they may become slightly magnetic when cold-worked. They have excellent properties at cryogenic temperatures and have higher strengths at 1000°F than the 400-series grades. Typical room-temperature mechanical properties of aus-

tenitic steels in the annealed condition are listed in Table 7-2.

Austenitic stainless steels have the highest corrosion resistance of all the stainless steels, particularly when they have been annealed to dissolve the chromium carbides, then quenched to retain the carbon in solution.

*Ferritic Stainless Steels:* These are the nonhardenable grades of the AISI 400 series that contain from about 14 to 27% chromium and no nickel (Table 7-3). These steels are characterized by a chromium-to-carbon balance that suppresses development of austenite at high temperatures. Since little or no austenite is present, these grades do not transform to martensite upon cooling, but remain ferritic throughout their normal operating-temperature range. For all practical purposes, they are nonhardenable. Typical properties of the ferritic steels are listed in Table 7-4.

Principal applications of the ferritic types are automotive and appliance trim, chemical processing equipment, and products requiring resistance to corrosion and scaling at elevated temperatures, rather than high strength. They are magnetic in all conditions. Figure 7-2 shows how the ferritic stainless steels relate to the basic alloy, type 430, of this group.

TABLE 7-2. Typical Properties\* of Austenitic Stainless Steels

AISI Type	Room Temperature (annealed)				Max Service Temp (°F) in Air	
	Tensile Strength (1000 psi)	Yield Strength, 0.2% (1000 psi)	Elongation, 2 in. (%)	Hardness Rockwell B	Continuous	Intermittent
201	115	55	55	90	1550	1450
202	105	55	55	90	1550	1450
301	110	40	60	85	1650	1500
302	90	40	50	85	1650	1500
302B	95	40	55	85	1750	1600
304	84	42	55	80	1650	1550
304L	81	39	55	79	1650	1550
305	85	38	50	80	1650	.....
308	85	35	50	80	1700	1550
309	90	45	45	85	1950	1850
310	95	45	45	85	2050	1900
314	100	50	40	85	.....	.....
316	84	42	50	79	1650	1550
316L	81	42	50	79	1650	1550
317	90	40	45	85	1700	1600
321	90	35	45	80	1650	1550
347	95	40	45	85	1650	1550

\* Mechanical property values are for sheet and strip materials. Properties of bar and plate may vary from these values slightly.

TABLE 7-3. Typical Compositions of Ferritic Stainless Steels

AISI Type	Composition* (%)			
	Carbon	Chromium	Manganese	Other†
405	0.08	11.5 – 14.5	1.0	0.1 – 0.3 Al
430	0.12	14.0 – 18.0	1.0	—
430F	0.12	14.0 – 18.0	1.25	0.060 P, 0.15 S (min), 0.60 Mo (opt)
430FSe	0.12	14.0 – 18.0	1.25	0.060 P, 0.060 S, 0.15 Se (min)
442	0.20	18.0 – 23.0	1.0	—
446	0.20	23.0 – 27.0	1.5	0.25 N

\* Single values denote maximum percentage unless otherwise noted.

† Unless otherwise noted, other elements of all alloys listed include maximum contents of 1.0% Si, 0.040% P, and 0.030% S. Balance is Fe.

TABLE 7-4. Typical Properties\* of Ferritic Stainless Steels

AISI Type	Room Temperature (annealed)				Max Service Temp (°F) in Air	
	Tensile Strength (1000 psi)	Yield Strength, 0.2% (1000 psi)	Elongation 2 in. (%)	Hardness Rockwell B	Continuous	Intermittent
405	70	40	30	81	1400	1450
430	75	45	30	83	1550	1650
430F, 430FSe	80	55	25	87	1500	1600
442	80	45	20	90	1800	1900
446	80	50	25	86	1950	2050

\* Mechanical property values are for bar materials. Properties of sheet, strip, or plate may vary from these values slightly.



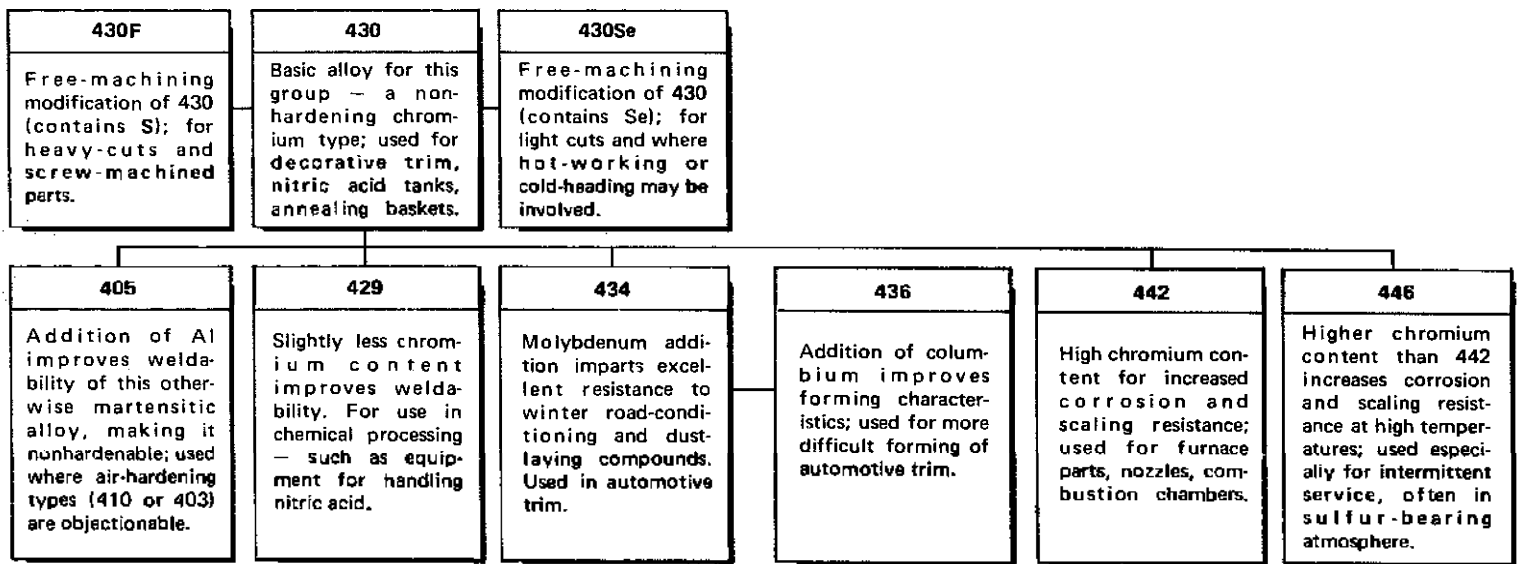


Fig. 7-2. The AISI ferritic stainless steels.

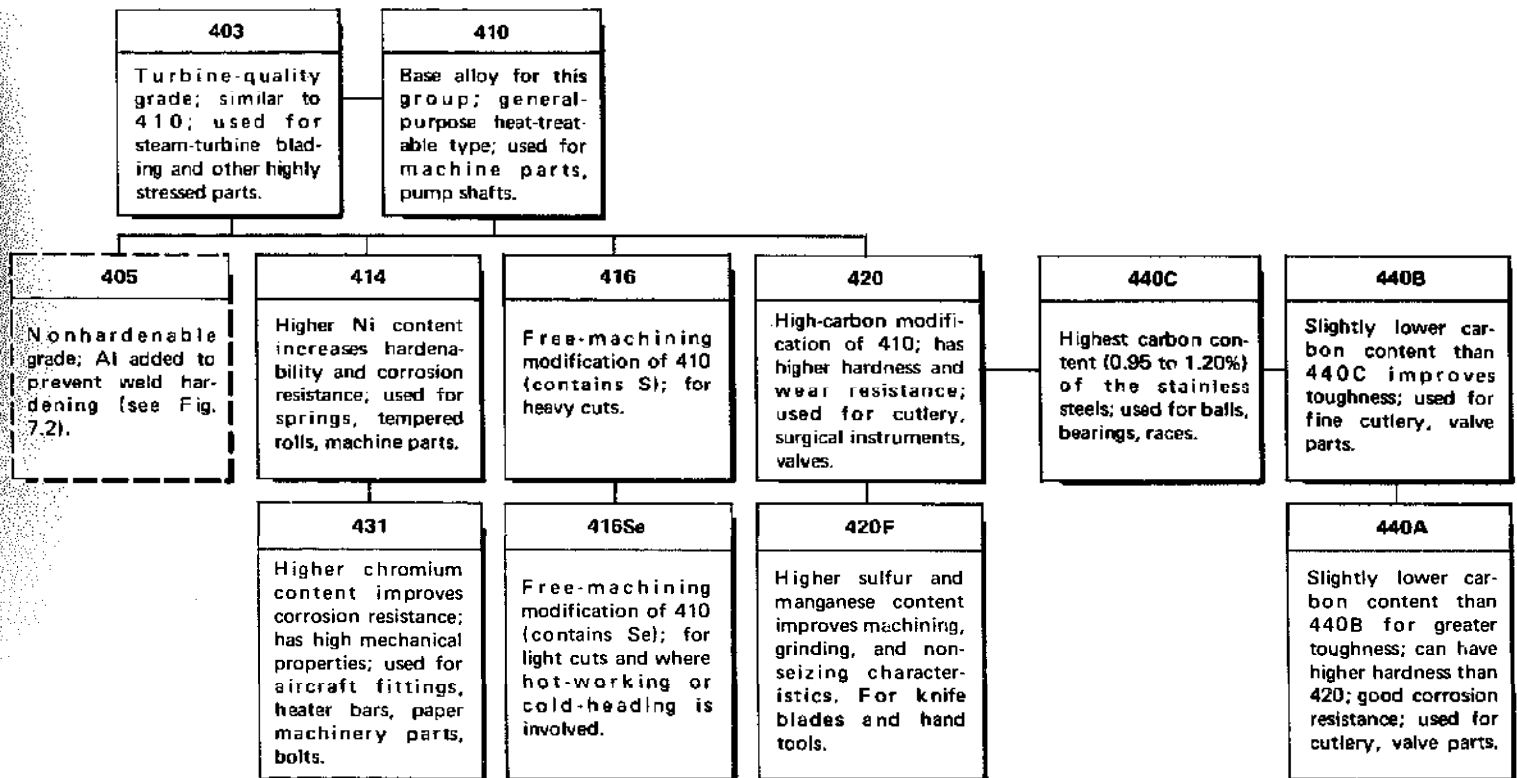


Fig. 7-3. The AISI martensitic stainless steels.

**Martensitic Stainless Steels:** These steels, also in the AISI 400 series, are the iron-chromium alloys capable of being heat-treated to a wide range of hardness and strength levels. Chromium and carbon contents are balanced so that the high-temperature austenitic phase transforms to the hard martensitic phase during cooling. Hardnesses to about Rockwell C 62 and tensile strengths to about 285,000 psi can be developed. These grades are magnetic in all conditions.

Martensitic grades are used to resist abrasion in steam and gas-turbine components and for such applications as cutlery and bearings. They are not as corrosion-resistant as the austenitic and ferritic types. They have fair cold-forming characteristics and can be welded, but usually require annealing to prevent cracking, followed by hardening to develop maximum strength and corrosion resistance.

The annealed metal suffers a depletion of chromium throughout the structure, which allows

TABLE 7-5. Typical Compositions of Martensitic Stainless Steels

AISI Type	Composition* (%)		
	Carbon	Chromium	Other
403	0.15	11.5 – 13.0	0.5 Si
410	0.15	11.5 – 13.5	—
414	0.15	11.5 – 13.5	1.25 – 2.5 Ni
416	0.15	12.0 – 14.0	1.25 Mn, 0.15 S (min), 0.060P, 0.60 Mo (opt)
416Se	0.15	12.0 – 14.0	1.25 Mn, 0.060 P, 0.15 Se (min)
420	0.15 (min)	12.0 – 14.0	—
431	0.20	15.0 – 17.0	1.25 – 2.5 Ni
440A	0.60 – 0.75	16.0 – 18.0	0.75 Mo
440B	0.75 – 0.95	16.0 – 18.0	0.75 Mo
440C	0.95 – 1.20	16.0 – 18.0	0.75 Mo

\* Single values denote maximum percentage unless otherwise noted.

† Unless otherwise noted, other elements of all alloys listed include maximum contents of 1.0% Mn, 1.0% Si, 0.040% P, and 0.030% S. Balance is Fe.

the steel to corrode as though it contained a much lower chromium content. Heating to the hardening temperature dissolves the chromium carbides, and rapid quenching prevents their recombining with the carbon.

Eleven grades of martensitic stainless steels are classified by the AISI, as shown in Fig. 7-3. Base alloy for the group is type 410. Compositions of these alloys are listed in Table 7-5, and room-temperature mechanical properties are given in Table 7-6.

## WELDING THE AISI STAINLESS STEELS

Weldability of stainless steels takes into account not only the usual mechanical properties, but also the chemical characteristics that affect corrosion resistance. Thus, the choice of welding processes is limited because of possible reactions of chromium with carbon and oxygen at welding temperatures. Despite the availability of automatic and semi-automatic equipment, more welding of stainless steels is done by manual shielded-arc methods than any other process. Electrodes for welding stainless steels are available in a wide variety of alloys.

### Austenitic Grades

Most weldable of the AISI stainless steels are the austenitic grades, but even these alloys have limitations that require careful attention during processing. Austenitic steels have a high coefficient of thermal expansion — over 50% higher than that of carbon steel or of the 400-series alloys — which demands maximum care to minimize distortion and

warping of welded parts. Some of these alloys are susceptible to the formation of sigma phase when exposed to certain high temperature ranges, which can cause cracking and corrosion under certain conditions. Welding can cause carbide precipitation in some stainless grades, which decreases the corrosion resistance in some chemical media.

### Ferrite and Sigma Phase

A characteristic of austenitic grades of stainless steels is their susceptibility to hot-short cracking after being welded — sometimes called microfissuring. This problem is corrected by using electrodes that deposit weld metal containing a small amount of ferrite. Thus, recommended electrodes for many standard austenitic grades may deposit weld metal that contains 3 to 10% ferrite even though the same grade base metal contains no ferrite. Since ferrite is magnetic, it is easily detected in an otherwise nonmagnetic weldment.

Ferrite content in a weld deposit can be estimated by calculating equivalent chromium and nickel contents of the composition and using the Schaeffler diagram, shown in Fig. 7-4.

Sigma phase is a crystallographic constituent that forms slowly at high temperatures in high-chromium (20% or more) ferrites in the ferritic portions of unbalanced austenitic alloys and sometimes in austenite itself. Sigma phase increases hardness, but it decreases ductility, notch-toughness, and corrosion resistance of stainless steels.

Because of its slow development (in the range of approximately 1000 to 1600°F) sigma phase is primarily a service problem where long exposures at high temperatures are involved. It does not normally

TABLE 7-6. Typical Properties\* of Martensitic Stainless Steels

AISI Type	Room Temperature (annealed)				Max Service Temp (°F) in Air	
	Tensile Strength (1000 psi)	Yield Strength, 0.2% (1000 psi)	Elongation 2 in. (%)	Hardness Rockwell B†	Continuous	Intermittent
403	75	40	35	82	1300	1450
410	75	40	35	82	1300	1450
414	115	90	20	97	1300	1450
416, 416Se	75	40	30	82	1250	1400
420	95	50	25	92	1200	1400
431	125	95	20	24 (Rc)	1500	1600
440A	105	60	20	95	1400	1500
440B	107	62	18	96	1400	1500
440C	110	65	14	97	1400	1500

\* Mechanical property values are for bar materials. Properties of sheet, strip, or plate may vary from these values slightly.  
 † Rockwell B unless otherwise noted.

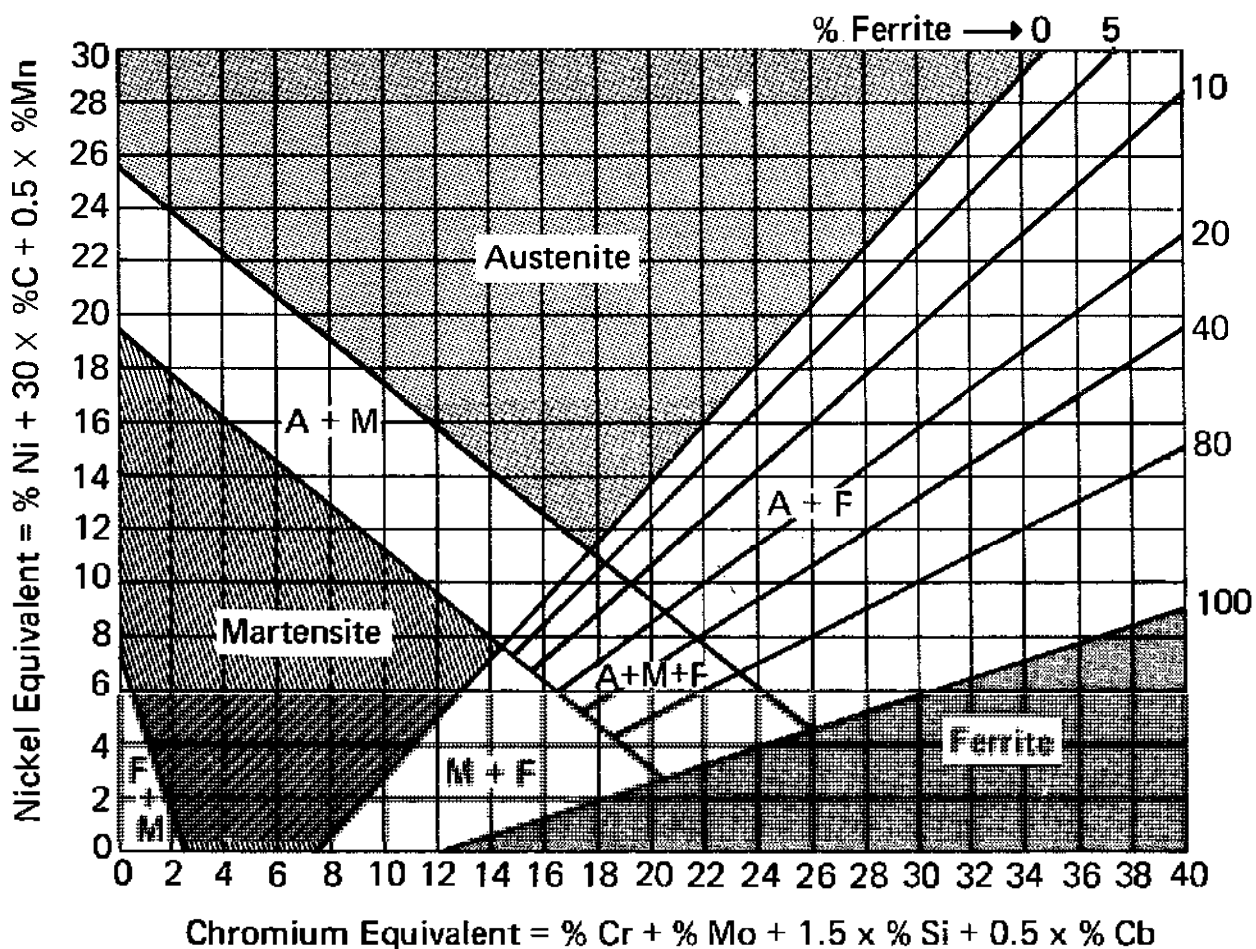


Fig. 7-4. Schaeffler diagram for estimating ferrite content of stainless-steel weld deposits.

develop during welding or even during heat treating. The phase can be redissolved by heating to above 1650°F for a relatively short time.

### Carbide Precipitation

Although mechanically satisfactory welds can be made on the chromium-nickel (austenitic) stainless steels, heating these materials sometimes promotes intergranular corrosion. When the austenitic steels are heated in the range of 800 to 1400°F (the sensitizing temperature range), or cooled slowly through that range, carbon is precipitated from solid solution (mainly at grain boundaries) and unites with chromium to form chromium-rich carbides. These chromium carbides may contain as much as 90% chromium, taken from the metal immediately adjacent to the grain boundary. The chromium content of the adjacent metal is thus reduced, and corrosion resistance is seriously impaired. This phenomenon is termed "carbide precipitation," and the type of corrosion it promotes is known as "intergranular corrosion." Stainless steels having chromium contents to about 18% are most susceptible to carbide precipitation.

The thermal conditions that produce carbide precipitation can occur during welding — particularly in multiple-pass welding, welding of heavy beads, or when two beads cross.

*Thermal Treatments:* Various methods are used to reduce or prevent carbide precipitation in austenitic stainless steels. One is to heat the weldment to the range of 1850 to 2100°F and rapidly cool it (by quenching) through the 1400 to 800°F range. This thermal treatment redissolves the precipitated carbides (puts the carbon back into solution in the austenite and restores the chromium at the grain boundaries), and the rapid quench prevents precipitation from recurring. This method has disadvantages, however. The high-temperature treatment may cause distortion in welded assemblies, and large welded structures cannot be accommodated in heating furnaces.

*Low-Carbon Stainless Steels:* Another remedy to the carbide-precipitation problem is to use stainless steels and electrodes having such a low carbon content that no carbides can be precipitated. The 18-8 austenitic steels retain about 0.02% carbon in solid solution under all conditions. With carbon content increased to about 0.08%, the amount of carbon that can be precipitated increases slowly; above that amount, precipitation can occur rapidly (when the material is exposed to the sensitizing temperature).

Extra-low-carbon plate and electrodes cost

slightly more than the regular grades, but results are well worth the cost difference, particularly when weldments are to be used in the as-welded condition. Carbide precipitation decreases significantly in changing, say, from AISI type 304 (0.08% C) to 304L (0.03% C). Low-carbon welding electrodes are also available.

Use of low-carbon plate and electrodes may produce a small amount of carbide precipitation, but usually not enough to be harmful. However, when the temperature (either during welding or in service) and corrosion conditions are severe, stabilized electrodes and base metal should be used.

### Stabilized Steels

Steels in which chromium carbide forms readily upon heating to the sensitizing temperature range (800 to 1400°F) are called unstabilized steels. Examples of these are AISI 301, 302, 302B, 303, 304, and 308. Since carbide precipitation increases with carbon content, grades 304 and 308 are the best of the 18-8 steels for welding. Maximum carbon content in these two grades is 0.08%; the others listed have a maximum limit of 0.15%.

If types 304 and 308 stainless steels are single-pass welded, the time in the 800 to 1400°F range is so short that very little carbide precipitation can take place. Thus, intergranular corrosion is not likely to occur in these materials (provided, of course, that service temperature of the weldment is not in the sensitizing range).

If the steel is thick enough to require multiple-pass welds, or if the finished product will operate between 800 and 1400°F (1200°F is the most critical point in the range), carbide precipitation is likely to occur, even in grades 304 and 308. Intergranular corrosion will then follow if the product is subjected to a corrosive medium.

The most common way of preventing intergranular corrosion, especially where critical temperatures will be reached in service or where environmental conditions are severe, is to prevent the formation of chromium carbides by using stainless steels that contain columbium or titanium. These elements have a greater affinity for carbon than chromium does; thus they form columbium carbide or titanium carbide, leaving the chromium in solution where it can do its intended job of providing corrosion resistance.

Stainless steels that contain columbium or titanium (AISI types 347 and 321) are called "stabilized" steels since they are not made susceptible to intergranular corrosion by heating. They can be used

in the 800 to 1400°F range with no effect on corrosion resistance, and no heat treating is required.

Welding of stabilized stainless steels should be done with stabilized electrodes for best results. Since columbium transfers through an arc much more effectively than titanium, stabilization of electrodes is achieved with columbium additions.

### Ferritic Grades

These grades have what is metallurgically known as a ferritic microstructure. They are magnetic and nonhardenable by heat treatment. Typical applications include automobile trim and mufflers, interior building trim, and industrial equipment requiring a low-cost material with good corrosion resistance built with limited welding.

The heat of welding causes embrittlement associated with severe grain growth. When ferritic-type stainless steel weldments are to be annealed, one should weld with the straight chromium-type electrodes listed in Table 7-14.

### Martensitic Grades

These grades have what is metallurgically known as a martensitic microstructure. They are magnetic and can be heat treated to a wide range of mechanical properties. Some grades have good strength and scaling resistance to about 1100°F. Typical applications include razor blades, surgical instruments, and industrial equipment requiring specific hardnesses or high strength and good corrosion resistance.

Rapid cooling from welding temperatures produces a hard, brittle zone next to the weld. As hardness of the zone increases, the tendency for weld cracking also increases. To control cracking, particularly on steel over 1/8-in. thick and a carbon content above .10%, preheating is needed.

When martensitic steel weldments are to be heat treated to a specific strength level, they must be welded with straight chromium-type electrodes, as listed in Table 7-14.

### Electrode Selection without Heat Treating

Ferritic or martensitic steel weldments to be used in the "as-welded" condition should be welded with E308, E309, or E310 electrodes. The ductile chromium-nickel welds resist cracking from deformation and impact better than if the weld and heat-affected zone were both brittle. However, differences in thermal expansion rates, weld and base metal color, and other physical properties may require selection of a straight chromium-type electrode.

### Preheating and Postheating

Austenitic stainless-steels are best welded without preheat except to reduce shrinkage stresses on thick sections or restrained joints. No preheat, low interpass temperature, or a stringer-bead technique reduce the time the heat-affected zone is in the sensitizing range (800-1400°F), thereby reducing the amount of carbide precipitation. Usually no postheating is required for the austenitic stainless steels except when an anneal is needed to dissolve the chromium carbides.

The martensitic grades can be welded, although the weldability is not as good as that of the austenitic grades. In the as-welded condition, there is a hard martensitic heat-affected zone, and usually a preheat is required. A rule of thumb is up to 0.10% carbon requires no preheat or postheat. In the 0.10 to 0.20% carbon range, 500°F preheat is required, and the weld should be cooled slowly. Over 0.20% and up to 0.50% carbon requires a preheat of 500°F and an anneal after welding. If a hardening and tempering operation follows the welding, this should be started immediately after the welding is finished. Some reduction in hardness can be had by heating to 1200-1400°F and air cooling. For full anneal, heat to 1500-1600°F, furnace cool to 1100°F, and then air cool.

The welding quality of the ferritic-type stainless steels is the poorest of the AISI types. The welding heats a zone in the base metal above a critical temperature (1750°F) and causes rapid grain growth of the ferrite. This coarse grain zone lacks ductility and toughness, and a small amount of martensite may be present, which adds hardness. Postheating reduces the hardness, but the objectional properties due to the coarse grain structure still remain. Any preheating is done only to reduce shrinkage stresses and avoid cracking on cooling. Do not preheat thin sections. Preheat thick sections, 1/4-in. or more, 200 to 400°F, depending on the thickness and the amount of restraint. Postheat at 1450°F and furnace cool to 1100°F; then cool rapidly.

Free-machining modifications of the above three stainless categories tend to lead toward porosity and segregation during welding. This can often be avoided by proper electrode selection and taking precautions to make sure the electrode covering is completely dry.

## PRECIPITATION-HARDENING STAINLESS STEELS

The fourth category of stainless steels — the

precipitation-hardening grades — offers a combination of properties not attainable in other alloys. There are stronger steels; there are steels that have greater corrosion resistance; and there are steels that are easier to fabricate. But few materials combine all of these characteristics as do the precipitation-hardening (also called “age-hardening”) stainless steels.

These proprietary steels are used in applications requiring high strength (from 125,000 to nearly 300,000 psi, depending on heat treatment), good fracture toughness, resistance to corrosion (corrosion resistance in most environments is about equal to that of AISI types 302 and 304), and resistance to oxidation at elevated temperatures. They are among the most fabricable of the high-strength materials. They can be worked by most conventional methods while in a very low-strength condition, then strengthened by a low-temperature (900 to 1150°F) heat treatment.

Precipitation hardening is essentially a method of increasing hardness and strength of a metal. Although some variations apply to specific grades, precipitation hardening is generally accomplished by a three-step heat treatment consisting of solution

treatment, rapid cooling, and controlled reheating (aging).

The first step (solution heat treating) dissolves certain elements or compounds that are normally insoluble at room temperature. This mechanism might be compared with the ability of hot water to dissolve more salt than can cold water.

The second step (quenching) cools the metal rapidly to retain the solution effect at room temperature. This condition is sometimes called a supersaturated solid solution.

The third step involves reheating of the supersaturated metal to a relatively low aging temperature (about 900°F for some grades) for about an hour. This effects a uniform, submicroscopic precipitation of the special elements (or compounds) throughout the structure. This hardens and strengthens the metal.

The three classes of precipitation-hardenable grades of stainless steels are martensitic, austenitic, and semiaustenitic. Composition of representative materials are listed in Table 7-7, and descriptions and typical applications appear in Table 7-8.

The semiaustenitic grades are basically sheet materials, because their austenitic structure (before

TABLE 7-7. Composition of Precipitation-Hardening Stainless Steels

Alloy	Composition (%)							
	C	Mn	Si	Cr	Ni	Al	Mo	Other
<b>Semiaustenitic</b>								
17-7 PH	0.09 max	1.0 max	1.0 max	16.0-18.0	6.5-7.75	0.75-1.50	—	—
PH 15-7 Mo	0.09 max	1.0 max	1.0 max	14.0-16.0	6.5-7.75	0.75-1.50	2.0-3.0	—
AM-350	0.12 max	0.90	0.50 max	16.0-17.0	4.0-5.0	—	2.5-3.25	0.10 N
AM-355	0.15 max	0.95	0.50 max	15.0-16.0	4.0-5.0	—	2.5-3.25	0.10 N
PH 14-8 Mo*	0.04	—	—	14.0	8.0	1.2	2.3	—
<b>Martensitic</b>								
Stainless W	0.12 max	1.0 max	1.0 max	16.0-18.0	6.0-8.0	1.0 max	—	1.0 Ti max, 0.2 N max
17-4 PH	0.07 max	1.0 max	1.0 max	15.5-17.5	3.0-5.0	—	—	3.0-5.0 Cu, 0.15-0.45 Cb + Ta
15-5 PH	0.07 max	1.0 max	1.0 max	14.0-15.5	3.5-5.5	—	—	2.5-5.5 Cu, 0.15-0.45 Cb + Ta
414 Ti	0.08 max	1.0 max	0.75 max	10.5-12.5	1.5-3.5	—	—	0.75 Ti max
Almar 363	0.05 max	0.3 max	0.15 max	11.0-12.0	4.0-5.0	—	—	10 x C Ti min
PH 13-8 Mo*	0.03	—	—	12.5	8.0	1.1	2.2	—
AM-362*	0.03	—	—	14.5	6.5	—	—	0.8 Ti
Custom 455*	0.03	—	—	12.0	8.5	—	—	0.40 Cb + Ta, 1.2 Ti, 2.0 Cu
<b>Austenitic</b>								
A-286	0.08 max	1.0-2.0	0.40-1.00	13.5-16.0	24.0-28.0	0.35 max	—	1.0-1.5 Ti, 0.10-0.50 V
17-10 P	0.10-0.14	0.50-1.00	0.60 max	16.5-17.5	9.75-10.75	—	—	0.25-0.30 P
HNM	0.30	3.50	0.50	18.50	9.50	—	—	0.25 P

\* These are typical compositions.

TABLE 7-8. Characteristics and Applications of Precipitation-Hardenable Stainless Steels

Characteristics	Applications
<p style="text-align: center;"><b>Martensitic</b></p> <p>Corrosion resistance is superior to that of regular martensitic stainless; is magnetic in both solution-treated and precipitation-hardened conditions; does not require preheating or postannealing for welding.</p>	<p>Valves, fasteners, gears, splines, propeller shafts, roller-chain pins.</p>
<p style="text-align: center;"><b>Austenitic</b></p> <p>Superior corrosion resistance to most chromium-nickel stainless grades; excellent high-temperature (over 1200°F) notch toughness; nonmagnetic in annealed and precipitation-hardened conditions; weldable in annealed condition, but requires extreme care.</p>	<p>Jet-engine frames and hardware, fasteners, turbine wheels and blades.</p>
<p style="text-align: center;"><b>Semiaustenitic</b></p> <p>Corrosion resistance is superior to regular martensitic stainless grades; is austenitic in annealed condition, martensitic in hardened condition; requires no preheating or postannealing for welding.</p>	<p>Airframes, pressure tanks, conveyor chains, surgical instruments.</p>

heat treatment) provides good formability. The martensitic and austenitic types are generally classed as bar and plate materials — used mainly for machined parts and weldments. These distinctions are not entirely clearcut, however; all three classes have been produced in all basic forms.

#### Semiaustenitic Grades

Compositions of the semiaustenitic grades are balanced so that the structure is austenitic in the solution-treated condition. This ductile structure permits forming by the conventional processes used for the 18-8 stainless steels. These steels work-harden rapidly, however, and intermediate anneals may be required for complex forming or deep drawing. Following fabrication, the austenite structure is transformed to martensite by a thermal treatment. Maximum strength is then developed by an aging treatment, resulting in precipitation hardening and tempering of the martensite.

Weldability of the semiaustenitic precipitation-hardening steels is good; preheating and postheating are not required. These steels are readily joined by most arc and resistance welding methods. However, inert-gas shielding should be used for fusion-welding methods to overcome hot shortness in single-pass welds and to minimize loss of aluminum in the weld metal.

The heat of welding austenitizes and solution-treats (anneals) the area adjacent to the weld. Thus, regardless of base-metal condition, the structure of both the heat-affected zone and the weld metal is austenitic in the as-welded condition. For this reason, the semiaustenitic steels can be welded in any condition without reheating and without

requiring control of interpass temperature or cooling rate. Strength of fusion welds, made with welding rods of similar composition and using recommended procedures can be expected to be 90 to 100% of base-metal strength.

#### Martensitic Grades

In these alloys, a martensitic structure (untempered) forms upon cooling from solution-treating temperature (1500 to 1900°F, depending on alloy). This form is suitable for machining and other fabrication operations. Subsequent aging (precipitation hardening) between 900 and 1150°F increases hardness and strength. Finish-machining operations are seldom required after heat treatment.

Weldability of the martensitic alloys is generally excellent. They are not crack-sensitive (carbon content is low) or susceptible to the hot cracking associated with other copper-bearing stainless steels. Hot cracking due to carbon may occur, however, if the martensitic steels are welded to carbon or low-alloy steels. In such cases, welding methods that minimize weld-metal dilution should be used.

Preheating is not necessary to prevent cracks and excessive hardness in the martensitic steels. Heavy sections or members of highly restrained joints are often heat treated to a tough, overly aged condition, however, before welding.

The superior notch toughness of grades such as 15-5 PH and PH 13-8 Mo make these alloys suitable for restrained-joint weldments in any condition. However, regardless of the toughness level of the steel, notch effects should be eliminated. As with all high-strength steels, residual stresses, unfused notches, and sharp threads should be avoided.

### Austenitic Grades

These grades of precipitation-hardening steels retain their austenitic structure at room temperature following solution heat treatment and are hardened by a precipitation treatment.

The austenitic grades are the most difficult of the three types of precipitation-hardening alloys to weld. The most successful welds have been made by the gas tungsten-arc method, keeping heat input low. The metal should be in the solution-treated condition, and multipass welding (light stringer beads) is recommended.

**Welding 4-6% Chromium Steels:** Steels containing 4 to 6% chromium are not truly stainless though sometimes classified as such. They do have a resistance to corrosion of four to ten times that of mild steel and a resistance to oxidation from three to eight times that of mild steel. They have considerable resistance to oxidation and sulfur corrosion at temperatures up to 1100 — 1200°F. They are therefore used extensively for hot oil transfer lines and other oil refinery equipment operating at elevated temperatures, furnace tubes, heat exchangers, valves and high temperature steam lines.

The most noticeable property of the 4-6% Cr. steels is their intense air hardening which is proportional to the chromium and carbon contents. This affects the weldability as both the weld and heat affected zone are apt to be very hard unless preheating and subsequent annealing or stress relieving are used.

The most commonly used additional alloy is molybdenum (AISI 502), usually in an amount of approximately 0.5%. This addition of molybdenum does not appreciably affect the physical qualities of the steels at room temperatures, and after the differ-

ent heat treatments, but it does increase to a considerable degree the strength of these steels at elevated temperatures and, according to some tests, increases the resistance to certain types of corrosion. Molybdenum also increases the creep strength.

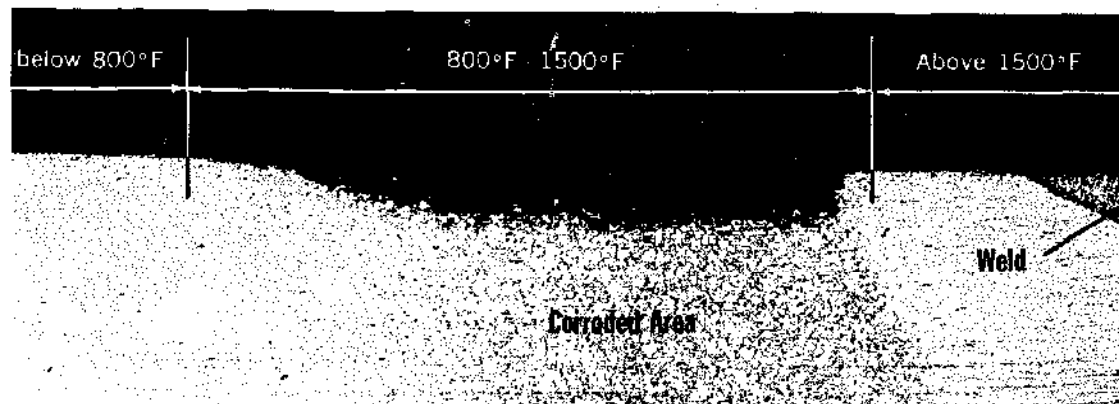
Where comparable properties in weld and plate are needed to meet service requirements, the general rule is to use an AWS E502-15 or E502-16 electrode that will deposit 4-6% chromium of the approximate analysis as the plate and to preheat and then anneal or stress relieve. The use of AWS E309 or E310 is recommended where preheating or postheating cannot be used. In this case the heat affected zone will be hard and brittle but the joint will withstand some impact or bending stress as the weld metal deposited by these electrodes will be relatively soft and ductile. The hard and brittle weld and fusion zone obtained when using the 4-6% chromium electrode without preheat or annealing will not stand bending stresses as well as the combination of the hard fusion zone but softer and more ductile weld metal as obtained with E309 or E310 electrodes.

When using either the 4-6% chromium or stainless electrode, DC electrode positive is used. Hold as short an arc as possible using the standard stainless procedure. E502 electrodes contain molybdenum so that they can be used on all types of 4-6% chromium steels.

#### References and Bibliography

1. E.S. Kopecki — "Stainless Steels." *Machine Design Metals Reference Issue*, Feb. 17, 1972, p. 26-28.
2. J.J. Vagi, R.M. Evans, and D.C. Martin — *Welding of Precipitation-Hardening Stainless Steels*, NASA-SP-5087, Clearinghouse for Federal Scientific and Technical Information, U.S. Dept. of Commerce, Springfield, Va.
3. Kenneth L. White — "Precipitation-Hardening Stainless Steels," *Machine Design*, Feb. 12, 1970, p. 40-42.

The temperature gradient naturally produced at a weld makes an area adjacent to the bead subject to the 800°F to 1500°F sensitizing temperature. Heating in the sensitizing range causes chromium carbides to precipitate in the grain boundaries. Precipitation of the carbides reduces the chromium content in the area adjacent to the grain boundaries making the steel subject to inter-granular corrosion.



### Control of Carbide Precipitation

The amount of carbide precipitation is modified by promoting rapid cooling. Fortunately, the copper chill bars, skip welding and other techniques needed to control distortion in sheet metal help reduce carbide precipitation. Annealing the weldment eliminates carbide precipitation, but this is an expensive and often impractical procedure. Therefore, when weldments operate in severe corrosive applications or within the sensitizing temperature range, either ELC or stabilized grades are needed.



# Welding Stainless Steels with the Shielded Metal-Arc Process

AWS specification A5.4-69, Corrosion-Resisting Chromium and Chromium-Nickel Covered Welding Electrodes, classes electrodes on the basis of chemistry, mechanical properties of the weld metal, and the type of welding current. Chemical requirements of the deposited weld metal are listed in Table 7-9, and mechanical property requirements are listed in Table 7-10.

The system of classification is similar to that used for other electrode specifications: The letter E

indicates an electrode; the last two digits indicate the type of current (—15 is for DC only and —16 is for AC or DC); and digits and letters between identify the alloy.

Most stainless-steel electrodes are imprinted near the holder end with the classification number. However, on the 3/32-in. and smaller sizes, a legible imprint is difficult to make. These small electrodes are marked with a color code as shown in Table 7-11.

**TABLE 7-9. Chemical Requirements for Stainless-Steel Weld Metal (AWS A5.4-69)**

AWS Classification	Carbon, <sup>a</sup> percent	Chromium, percent	Nickel, percent	Molybdenum, percent	Columbium Plus Tantalum, percent	Manganese, percent	Silicon, percent	Phosphorus, percent	Sulfur, percent
E308	0.08	18.0 to 21.0	9.0 to 11.0	...	...	2.5	0.90	0.04	0.03
E308L	0.04	18.0 to 21.0	9.0 to 11.0	...	...	2.5	0.90	0.04	0.03
E309	0.15	22.0 to 25.0	12.0 to 14.0	...	...	2.5	0.90	0.04	0.03
E309Cb	0.12	22.0 to 25.0	12.0 to 14.0	...	0.70 to 1.00	2.5	0.90	0.04	0.03
E309Mo	0.12	22.0 to 25.0	12.0 to 14.0	2.0 to 3.0	...	2.5	0.90	0.04	0.03
E310	0.20	25.0 to 28.0	20.0 to 22.5	...	...	2.5	0.75	0.03	0.03
E310Cb	0.12	25.0 to 28.0	20.0 to 22.0	...	0.70 to 1.00	2.5	0.75	0.03	0.03
E310Mo	0.12	25.0 to 28.0	20.0 to 22.0	2.0 to 3.0	...	2.5	0.75	0.03	0.03
E312	0.15	28.0 to 32.0	8.0 to 10.5	...	...	2.5	0.90	0.04	0.03
E16-8-2	0.10	14.5 to 16.5	7.5 to 9.5	1.0 to 2.0	...	2.5	0.50	0.03	0.03
E316	0.08	17.0 to 20.0	11.0 to 14.0	2.0 to 2.5	...	2.5	0.90	0.04	0.03
E316L	0.04	17.0 to 20.0	11.0 to 14.0	2.0 to 2.5	...	2.5	0.90	0.04	0.03
E317	0.08	18.0 to 21.0	12.0 to 14.0	3.0 to 4.0	...	2.5	0.90	0.04	0.03
E318	0.08	17.0 to 20.0	11.0 to 14.0	2.0 to 2.5	6 x C, min. to 1.00 max.	2.5	0.90	0.04	0.03
E320 <sup>b</sup>	0.07	19.0 to 21.0	32.0 to 36.0	2.0 to 3.0	8 x C, min. to 1.00 max.	2.5	0.60	0.04	0.03
E330	0.25	14.0 to 17.0	33.0 to 37.0	...	...	2.5	0.90	0.04	0.03
E347 <sup>c</sup>	0.08	18.0 to 21.0	9.0 to 11.0	...	8 x C, min. <sup>d</sup> to 1.00 max.	2.5	0.90	0.04	0.03
E349 <sup>e</sup>	0.13	18.0 to 21.0	8.0 to 10.0	0.35 to 0.65	0.75 to 1.2	2.5	0.90	0.04	0.03
E410	0.12	11.0 to 13.5	0.60	...	...	1.0	0.90	0.04	0.03
E430	0.10	15.0 to 18.0	0.60	...	...	1.0	0.90	0.04	0.03
E502	0.10	4.0 to 6.0	0.40	0.45 to 0.65	...	1.0	0.90	0.04	0.03
E505	0.10	8.0 to 10.5	0.40	0.85 to 1.20	...	1.0	0.90	0.04	0.03
E7Cr	0.10	6.0 to 8.0	0.40	0.45 to 0.65	...	1.0	0.90	0.04	0.03

Note 1. — Analysis shall be made for the elements for which specific values are shown. If the presence of other elements is indicated in the course of routine analysis, further analysis shall be made to determine that the total of these other elements (except iron) is not present in excess of 0.70%.

Note 2. — Single values shown are maximum percentages unless otherwise specified.

a To the nearest 0.01%.

b Copper shall be 3.0 to 4.0%.

c Chromium, min., shall be 1.9 x Nickel when so specified.

d Tantalum shall be 0.10 max. when so specified.

e Titanium shall be 0.15 max. This weld metal shall also contain 1.25 to 1.75% tungsten.



**TABLE 7-12. Typical Compositions of Stainless-Steel Weld Metal**

AWS Type	Composition (%)				
	C	Cr	Ni	Mo	Cb
308	0.06	20.1	9.6	...	...
308L	0.03	20.5	9.8	...	...
309	0.09	23.8	13.0	...	...
310	0.17	27.0	20.5	...	...
312	0.12	29.0	9.0	...	...
316	0.06	19.0	12.2	2.2	...
316L	0.03	19.2	12.4	2.2	...
318	0.05	19.5	12.5	2.3	0.60
347	0.06	19.9	9.6	...	0.80

**TABLE 7-13. Typical Mechanical Properties of Stainless-Steel Weld Metal**

AWS Type	Tensile Strength (1000 psi)	Elongation in 2 in. (%)
308	90	41
308L	82	41
309	81	40
310	91	36
312	112	32
316	89	38
316L	82	41
318	85	35
347	96	35

**TABLE 7-14. Typical Filler Metals for Welding Stainless Steels**

Base Metal		Service Condition	Covered Electrode	Bare Rod or Filler Wire
Wrought	Cast*			
201 202 301 302 304 305 308	CF-8 CF-20	As welded or annealed	E308	ER308
302B		As welded	E309,E310	ER309
303 303Se		As welded or annealed	E312,E309	ER314
304L	CF-3	As welded	E308L,E347	ER308L,ER347
308L		As welded	E308L	ER308L
309	CH20	As welded	E309	ER309
309S			E309,E309Cb	ER309
310	CK-20	As welded	E310	ER310
310S		As welded	E310,E310Cb	ER310
316	CF-8M CF-12M	As welded or annealed	E316,E309Cb†	ER316‡
316L	CF-3M	As welded or stress rel'd.	E316L,E309Cb†	ER316L‡
317	CG-8M	As welded or annealed	E317†	ER317
321 321H		As welded	E347	ER321,ER347
347 347H 348 348H		As welded	E347	ER347
403		Annealed or hardened	E410	ER410
410		As welded	E308,E309,E310	ER308,ER309,ER310
405		Annealed As welded	E430 E308,E309,E310	ER430 ER308,ER309,ER310
420		Annealed or hardened As welded	E420 E308,E309,E310	ER420 ER308,ER309,ER310
430		Annealed As welded	E430 E308,E309,E310	ER430 ER308,ER309,ER310
430Ti		As welded	E430	430Ti§, ER430
431		Annealed or hardened As welded	431§ E308,E309,E310	431§ ER308,ER309,ER310
442		Annealed As welded	442§ E308,E309,E310	442§ ER308,ER309,ER310
446		Annealed As welded	446§ E308,E309,E310	446§ ER308,ER309,ER310

\* Castings higher in carbon but otherwise of generally corresponding composition are available and are designated by the prefix "H". Filler metals for these alloys are high-carbon versions of the listed filler metals.

† Joints deposited by 316, 316L, 317 electrodes and filler wires may have poor corrosion resistance in the as-welded condition particularly in hot acids. The use of 309 or 309Cb filler metals often provides a more suitable weld metal. Corrosion resistance of the molybdenum-bearing stainless steels can be restored by heat treating:

For Types 316 and 317 - full anneal at 1950-2050°F  
For Types 316L and 317L - stress relieve at 1600°F

‡ Same comments as (†). However, 309Cb bare wire is not regularly available. ER310 is the best substitute.

§ No standard AWS designation exists, although this filler wire or electrode is available commercially.

From Tool and Manufacturing Engineer

flat to concave, the weld surface is smoother, and the penetration is less than with EXXX-15 (DC only) electrodes. The larger amount of slag requires more care to avoid slag inclusions. These electrodes are recommended for horizontal fillets and for all flat-position welding.

Selecting the proper electrode must be done with care because of the large number of stainless-steel alloys. All AISI stainless alloys are not available as electrodes. The titanium in type 321 does not transfer efficiently to the weld metal, and free-machining types such as 303Se crack readily.

Table 7-14 lists the electrodes commonly used with the various types of stainless alloys. When two different types are to be joined, Table 7-15 can be used as a guide. These tables should be used only as general guides, however - particularly where service conditions are severely corrosive or where high temperatures may cause scaling.

The free-machining grades of stainless steel are not recommended for welding because the sulfur, selenium, or phosphorus cause severe porosity and hot-short, cracking. If these steels must be welded,

use E312 or E309 electrodes and techniques that reduce the admixture of the base metal into the weld metal. Grades 416 and 440A, B, and C are also not recommended for welding due to severe brittleness.

**CONSIDERATIONS IN WELDING**

*Cleaning:* For high-quality welds, joints must be clean and dry. The choice of power brushing,

TABLE 7-15. Typical Filler Metals for  
Dissimilar Metal Joints in Austenitic Stainless Steel\*

	304L	308	309	309S	310	310S	316 316H	316L	317	321 321H	347,347H 348,348H
304H,305,304	308	308	308 309	308 309	308 309 310	308 309 310	308 316	308 316	308 316 317	308	308
304L		308	308 309	308 309	308 309 310	308 309 310	308 316	308L 316L	308 316 317	308L 347	308L 347
308			308 309	308 309	308 309 310	308 309 310	308 316	308 316	308 316 317	308	308 347
309				309	309 310	309 310	309 316	309 316	309 316	309 347	309 347
309S					309 310	309S 310S	309 316	309S 316L	309 316	309 347	309 347
310							316 310 310Mo	316 310Mo 310	317 310Mo 310	308 310	308 310
310S							316 310Mo	316 310Mo	317 310Mo	308 310	308 310
316H,316								316	317 316	308 316	308 316 347
316L									317	316L	316L 347
317										308 317	308 317 347
321H,321											308L 347

Electrodes and welding rods listed for the same combination of stainless steels are not in any preferred order.

\* Abstracted from NASA *Welding of Stainless Steels*

degreasing, pickling, grinding, or merely wiping depends upon the kind and amount of dirt. Some specific recommendations are:

1. Remove moisture by heating or by blowing with dry air (beware of moisture in the air line). Moisture can collect on a weldment overnight in high-humidity conditions.
2. Eliminate organic contaminants such as paints, antisplatter compounds, grease-pencil marks, cutting compounds, adhesive from protective paper, and soap used for leak-testing.
3. Flame-beveling and machining may leave contaminants or oxide films that must be removed.
4. Avoid zinc contamination from brushes or tools that have been used on galvanized steel. Use only stainless-steel wire brushes that have been used only on stainless steel.

**Joint Design:** Accurate fitup and good joint preparation are necessary for good weld quality and minimum distortion. Joint designs are similar to those described for mild steel. For butt welds on plate to 1/2-in. thick, the bevel should be a 60° included angle for good penetration and easy slag removal. On plate over 1/2-in. thick, a double bevel is recommended if the welding can be done from both sides. For butt welds over 1-in. thick that must be done from one side, a U-groove is used.

**Welding Techniques:** Welding with stainless-steel electrodes requires techniques similar to those used for mild-steel low-hydrogen electrodes. Use a short arc, but keep the coating from touching the puddle. Flat beads with good wash-in promote easy slag removal in deep grooves. Fill each crater before breaking the arc, to avoid crater cracks. Clean the slag thoroughly from the finish of the bead before starting another electrode, and clean the complete weld before starting the next pass. On deep-groove

butt joints, the root pass should penetrate only enough to fuse to both plates and seal the opening. More penetration may cause cracks.

For vertical and overhead positions never use an electrode larger than 5/32-in. The DC electrodes (E3XX-15) are preferred, but the AC-DC electrodes (E3XX-16) can be used for welding vertical-up (using DC). On thick plate, use the triangular weave technique, welding vertical-up. On thin plate, use small beads, vertical-down.

TABLE 7-16. Recommended Current Ranges for Austenitic Stainless-Steel Electrodes (DCRP)

Electrode Size	Recommended Current (amp)	
	E3XX-15 Electrodes	E3XX-16 Electrodes
3/32	30 - 70	30 - 65
1/8	45 - 95	55 - 95
5/32	75 - 130	80 - 135
3/16	95 - 165	120 - 185
1/4	150 - 225	200 - 275
	Optimum current for flat position is about 10% below maximum; optimum for vertical-up welding, about 20% below maximum; optimum for vertical-down welding, about maximum.	Optimum current for flat position is about 10% below maximum; AC range is about 10% higher.

Welding techniques can help control distortion. Weld with low current consistent with sufficient penetration to reduce the heat input to the work (Table 7-16). Use stringer beads at a higher speed rather than wide beads at a slower speed. If weave beads must be made, limit the weave to 2-1/2 times the electrode diameter.

Other means to control distortion are:

- Use rigid fixtures to hold parts in alignment.
- Use chill bars near the weld and backing bars under the weld. Rapid cooling of austenitic stainless steels is beneficial rather than harmful.
- Plan the sequence of welding, using the same techniques as with mild steel, such as skip welding and back-step welding.

For preheating and postheating information see Section 7-1.

**Joining Stainless and Other Steels:** In some applications, stainless-steel weld-metal is applied to mild steel; for example, lining mild-steel vessels or containers with stainless steel. For such applications,

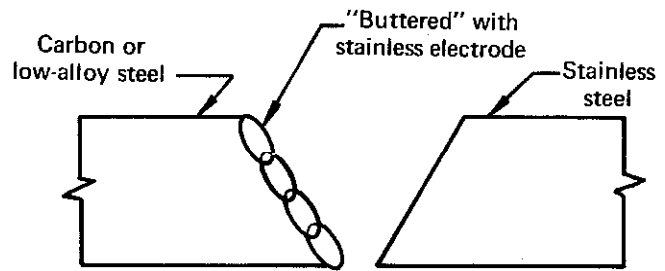


Fig. 7-5. "Buttering" technique for joining mild steel to stainless steel.

stainless electrodes with higher alloy content are used so the admixture of the mild steel into the stainless weld deposit does not form an unsatisfactory alloy.

When stainless-steel is joined to mild steel, the mild steel is "buttered" with stainless steel. This technique consists of depositing a layer of stainless on the surface of the mild steel, then completing the joint with stainless electrode, as illustrated in Fig. 7-5. The electrode commonly used for buttering is E309. This technique is also used for joining hard-to-weld or high-carbon steels that cannot be preheated.

E308 electrode is used for joining austenitic

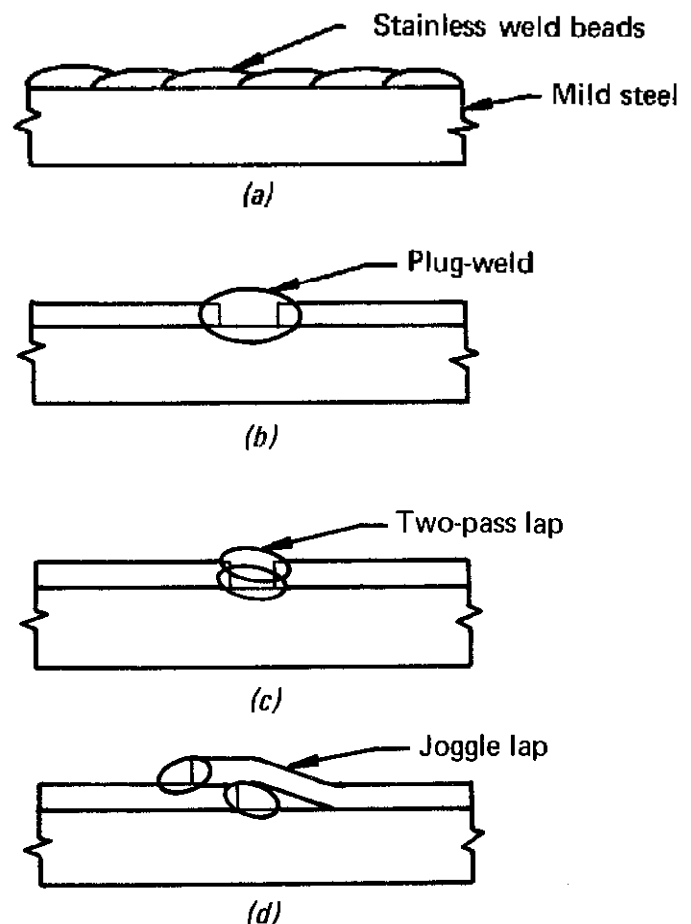


Fig. 7-6. Methods of applying a stainless steel surface to mild steel.

## 7.2-6 Welding Stainless Steel

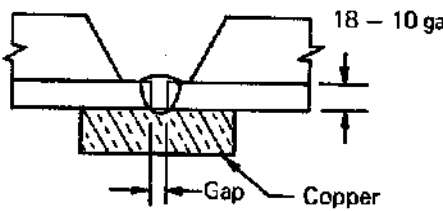
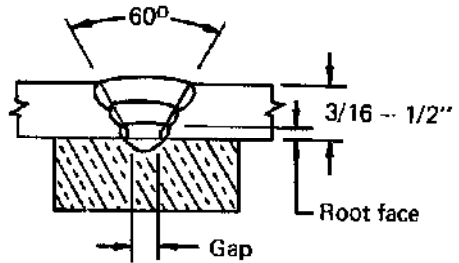
manganese steel to carbon steel or to manganese steel. However, for components that must be replaced periodically, such as dipper teeth, a manganese electrode is recommended because the stainless weld is harder to torch cut.

There are several methods for applying a stainless surface to mild steel. For a small area, overlapping weld beads are used, as illustrated in Fig.

7-6(a). For larger areas, stainless sheets are plug-welded to the mild steel (Fig. 7-6(b)), or stainless strips are attached as shown in Fig. 7-6(c) and (d).

**Power Sources:** The open-circuit voltage of light-duty transformer welders may not be high enough for some brands of E3XX-16 electrodes; otherwise the same power sources used with steel electrodes are satisfactory for stainless electrodes.

### SHIELDED METAL-ARC (MANUAL) AISI 300 Series Stainless Steels

Welding Position: Flat Weld Quality Level: Code Steel Weldability: Good																																																																																																																							
	<table border="1"> <thead> <tr> <th>Plate Thickness (in.)</th> <th>0.050 (18 ga)</th> <th>0.078 (14 ga)</th> <th>0.140 (10 ga)</th> <th>3/16</th> <th colspan="2">1/4</th> <th colspan="2">3/8</th> <th colspan="2">1/2</th> </tr> </thead> <tbody> <tr> <td>Pass</td> <td>1</td> <td>1</td> <td>1</td> <td>1</td> <td>1</td> <td>2</td> <td>1</td> <td>2-3</td> <td>1</td> <td>2-5</td> </tr> <tr> <td>Electrode Class</td> <td>E3XX-16</td> <td>E3XX-16</td> <td>E3XX-16</td> <td>E3XX-16</td> <td colspan="2">E3XX-16</td> <td colspan="2">E3XX-16</td> <td colspan="2">E3XX-16</td> </tr> <tr> <td>Size</td> <td>5/64</td> <td>3/32</td> <td>1/8</td> <td>5/32</td> <td>5/32</td> <td>3/16</td> <td>5/32</td> <td>3/16</td> <td>5/32</td> <td>3/16</td> </tr> <tr> <td>Current (amp) DC(+)</td> <td>40*</td> <td>60</td> <td>85</td> <td>125</td> <td>125</td> <td>160</td> <td>125</td> <td>160</td> <td>125</td> <td>160</td> </tr> <tr> <td>Arc Speed (in./min)</td> <td>14 - 16</td> <td>11.5 - 12.5</td> <td>8.5 - 9.5</td> <td>6.7 - 7.3</td> <td>5.7 - 6.3</td> <td>7.6 - 8.4</td> <td>5.7 - 6.3</td> <td>5.7 - 6.3</td> <td>5.7 - 6.3</td> <td>5.7 - 6.3</td> </tr> <tr> <td>Electrode Req'd (lb/ft)</td> <td>0.020</td> <td>0.038</td> <td>0.080</td> <td>0.150</td> <td colspan="2">0.340</td> <td colspan="2">0.650</td> <td colspan="2">1.06</td> </tr> <tr> <td>Total Time (hr/ft of weld)</td> <td>0.0133</td> <td>0.0167</td> <td>0.0222</td> <td>0.0286</td> <td colspan="2">0.0583</td> <td colspan="2">0.100</td> <td colspan="2">0.167</td> </tr> <tr> <td>Gap (in.)</td> <td>0</td> <td>1/32</td> <td>1/32</td> <td>1/16</td> <td colspan="2">3/32</td> <td colspan="2">3/32</td> <td colspan="2">3/32</td> </tr> <tr> <td>Root Face (in.)</td> <td></td> <td></td> <td></td> <td>1/16</td> <td colspan="2">1/16</td> <td colspan="2">1/16</td> <td colspan="2">1/16</td> </tr> </tbody> </table>										Plate Thickness (in.)	0.050 (18 ga)	0.078 (14 ga)	0.140 (10 ga)	3/16	1/4		3/8		1/2		Pass	1	1	1	1	1	2	1	2-3	1	2-5	Electrode Class	E3XX-16	E3XX-16	E3XX-16	E3XX-16	E3XX-16		E3XX-16		E3XX-16		Size	5/64	3/32	1/8	5/32	5/32	3/16	5/32	3/16	5/32	3/16	Current (amp) DC(+)	40*	60	85	125	125	160	125	160	125	160	Arc Speed (in./min)	14 - 16	11.5 - 12.5	8.5 - 9.5	6.7 - 7.3	5.7 - 6.3	7.6 - 8.4	5.7 - 6.3	5.7 - 6.3	5.7 - 6.3	5.7 - 6.3	Electrode Req'd (lb/ft)	0.020	0.038	0.080	0.150	0.340		0.650		1.06		Total Time (hr/ft of weld)	0.0133	0.0167	0.0222	0.0286	0.0583		0.100		0.167		Gap (in.)	0	1/32	1/32	1/16	3/32		3/32		3/32		Root Face (in.)				1/16	1/16		1/16		1/16
Plate Thickness (in.)	0.050 (18 ga)	0.078 (14 ga)	0.140 (10 ga)	3/16	1/4		3/8		1/2																																																																																																														
Pass	1	1	1	1	1	2	1	2-3	1	2-5																																																																																																													
Electrode Class	E3XX-16	E3XX-16	E3XX-16	E3XX-16	E3XX-16		E3XX-16		E3XX-16																																																																																																														
Size	5/64	3/32	1/8	5/32	5/32	3/16	5/32	3/16	5/32	3/16																																																																																																													
Current (amp) DC(+)	40*	60	85	125	125	160	125	160	125	160																																																																																																													
Arc Speed (in./min)	14 - 16	11.5 - 12.5	8.5 - 9.5	6.7 - 7.3	5.7 - 6.3	7.6 - 8.4	5.7 - 6.3	5.7 - 6.3	5.7 - 6.3	5.7 - 6.3																																																																																																													
Electrode Req'd (lb/ft)	0.020	0.038	0.080	0.150	0.340		0.650		1.06																																																																																																														
Total Time (hr/ft of weld)	0.0133	0.0167	0.0222	0.0286	0.0583		0.100		0.167																																																																																																														
Gap (in.)	0	1/32	1/32	1/16	3/32		3/32		3/32																																																																																																														
Root Face (in.)				1/16	1/16		1/16		1/16																																																																																																														

\* Use DC(-)

Note: AC can be used with a 10% increase in current. E3XX-15 electrode can be used with a 10% decrease in current.  
See Procedure Notes in Section 6-2.

**SHIELDED METAL-ARC (MANUAL)**  
**AISI 300 Series Stainless Steels**

Welding Position: Vertical and Overhead  
 Weld Quality Level: Code  
 Steel Weldability: Good

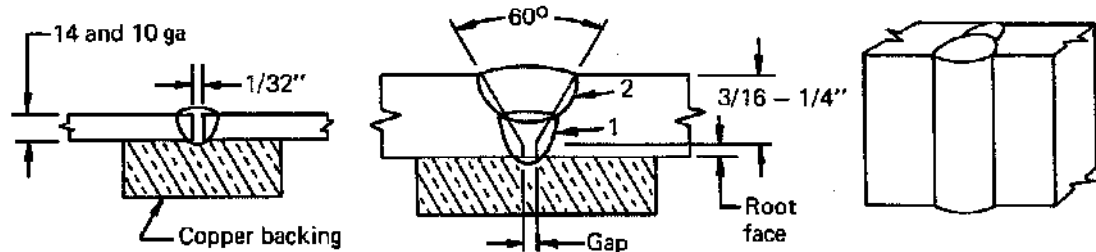


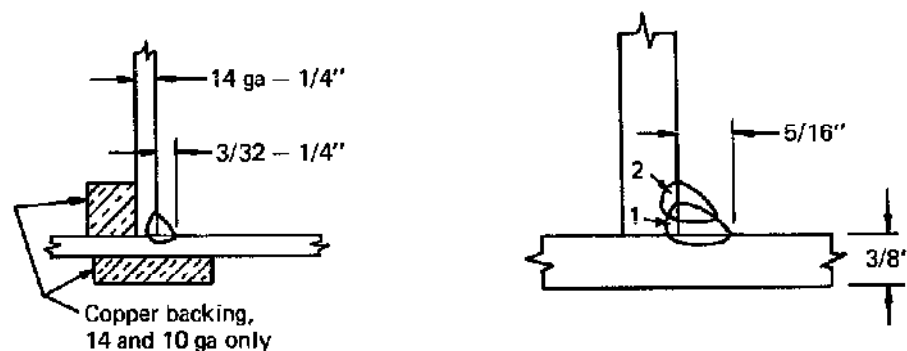
Plate Thickness (in.)	0.078 (14 ga)*	0.140 (10 ga)	3/16	1/4	
Pass	1	1	1	1	2
Electrode Class	E3XX-15	E3XX-15	E3XX-15	E3XX-15	
Size	3/32	1/8	5/32	5/32	
Current (amp) DC(+)	50	75	110	110	
Arc Speed (in./min)	14 - 16	6.7 - 7.3	5.2 - 5.8	5.2 - 5.8	4.3 - 4.7
Electrode Req'd (lb/ft)	0.030	0.091	0.160	0.370	
Total Time (hr/ft of weld)	0.0133	0.0286	0.0364	0.0808	
Gap (in.)			1/16	3/32	
Root face (in.)			1/16	1/16	

\* Vertical down, all others vertical up.

See Procedure Notes in Section 6.2.

**SHIELDED METAL-ARC (MANUAL)**  
**AISI 300 Series Stainless Steels**

Welding Position: Flat or Horizontal\*  
 Weld Quality Level: Code  
 Steel Weldability: Good



Weld Size (in.)	3/32	1/8	3/16	1/4	5/16	
Plate Thickness (in.)	0.078 (14 ga)	0.140 (10 ga)	3/16	1/4	3/8	
Pass	1	1	1	1	1	2
Electrode Class	E3XX-16	E3XX-16	E3XX-16	E3XX-16	E3XX-16	
Size	3/32	1/8	5/32	3/16	3/16	
Current (amp) DC(+)	60	85	120	160	170	
Arc Speed (in./min)	12.5 - 13.5	12.5 - 13.5	8.6 - 9.4	6.2 - 6.8	6.2 - 6.8	6.7 - 7.3
Electrode Req'd (lb/ft)	0.036	0.056	0.120	0.220	0.430	
Total Time (hr/ft of weld)	0.0154	0.0154	0.0222	0.0308	0.0594	

\* For vertical and overhead use same procedures as for vertical and overhead butt welds.

Note: AC can be used with a 10% increase in current. E3XX-15 can be used with a 10% decrease in current.

See Procedure Notes in Section 6.2.

**SHIELDED METAL-ARC (MANUAL)**  
**AISI 300 Series Stainless Steels**

Welding Position: Horizontal  
Weld Quality Level: Code  
Steel Weldability: Good

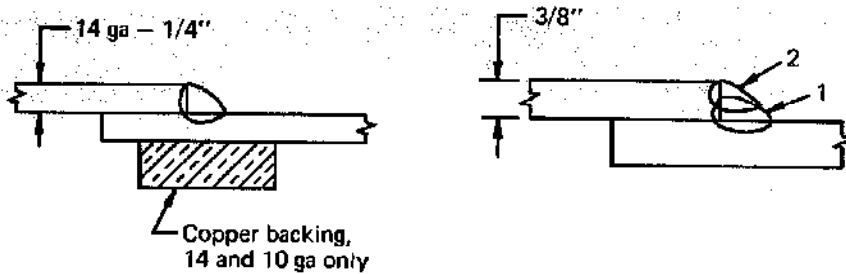


Plate Thickness (in.)	0.078 (14 ga)	0.140 (10 ga)	3/16	1/4	3/8	
Pass	1	1	1	1	1	2
Electrode Class	E3XX-16	E3XX-16	E3XX-16	E3XX-16	E3XX-16	
Size	3/32	1/8	5/32	3/16	3/16	
Current (amp) DC(+)	60	90	125	170	175	
Arc Speed (in./min)	12.5 - 13.5	12.5 - 13.5	8.6 - 9.4	6.2 - 6.8	6.2 - 6.8	6.7 - 7.3
Electrode Req'd (lb/ft)	0.036	0.056	0.130	0.240	0.460	
Total Time (hr/ft of weld)	0.0154	0.0154	0.0222	0.0308	0.0594	

The notes to fillet weld procedure also apply here.  
See Procedure Notes in Section 6-2.

**SHIELDED METAL-ARC (MANUAL)**  
**AISI Series 300 Stainless Steels**

Welding Position: Flat  
Weld Quality Level: Code  
Steel Weldability: Good

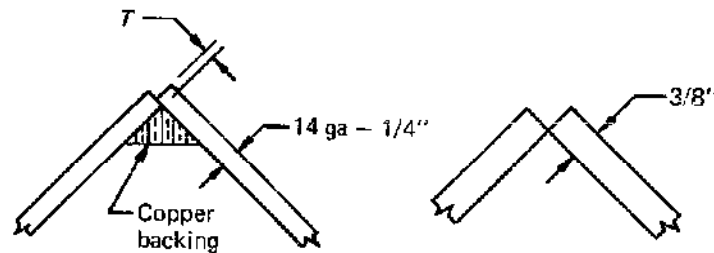


Plate Thickness (in.)	0.078 (14 ga)	0.140 (10 ga)	3/16	1/4	3/8	
Pass	1	1	1	1	1	2
Electrode Class	E3XX-16	E3XX-16	E3XX-16	E3XX-16	E3XX-16	
Size	3/32	1/8	5/32	3/16	3/16	
Current (amp) DC(+)	60	85	125	160	160	175
Arc Speed (in./min)	14 - 16	12.5 - 13.5	10.5 - 11.5	6.2 - 6.8	6.2 - 6.8	5.7 - 6.3
Electrode Req'd (lb/ft)	0.028	0.056	0.094	0.22	0.45	
Total Time (hr/ft of weld)	0.0133	0.0154	0.0182	0.0308	0.0641	
T (in.)	0.04	1/32	3/64	1/16	0	

AC can be used with a 10% increase in current. E3XX-15 electrode can be used with a 10% decrease in current.  
See Procedure Notes in Section 6.2.



## Welding Stainless Steels with the Submerged-Arc Process\*

Submerged-arc is applicable to the welding of stainless steels where the higher heat input and slower solidification are tolerable. With submerged-arc welding the silicon content may be much higher than with other processes, a factor that may promote hot shortness or fissuring.

The submerged-arc process is not recommended where a weld deposit is needed that is fully austenitic or is controlled to a low ferrite content (below 4%). However, high-quality welds may be produced for applications in which more than 4% ferrite in weld deposits is allowable.

### JOINT DESIGN

Figure 7-7 shows the type of butt joint designs that can be used for submerged-arc welding.

Good quality single-pass welds up to 5/16-in. thick can be made using the square groove butt joint without root opening and with suitable backing. Two-pass welds up to 5/8-in. thick are also made without root opening. It is essential on two-pass welds, however, that the edges be closely butted since weld backing is not used. The advantage of this

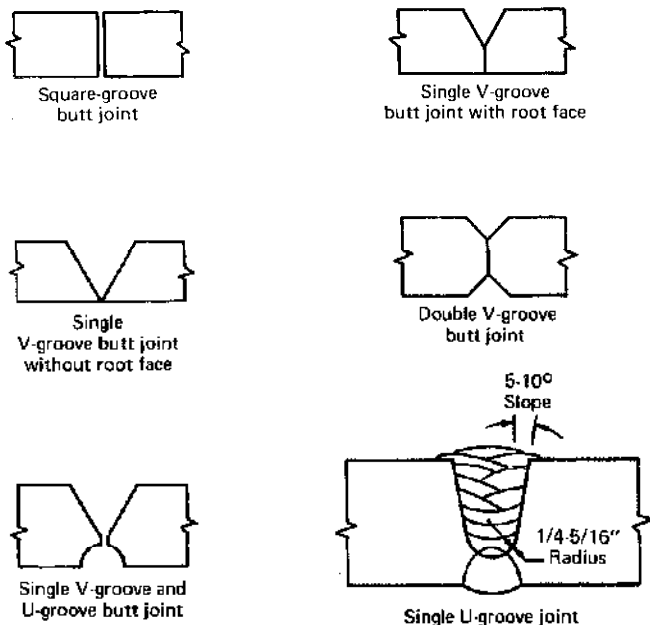


Fig. 7-7. Butt joint designs for submerged-arc welding.

joint design is that it requires a minimum of edge preparation, yet produces welds of good quality having adequate penetration.

Single-V groove welds with a root face are used with nonfusible backing for single-pass butt welds of 5/16-in. thickness or greater. For most industrial applications, the maximum thickness is of the order

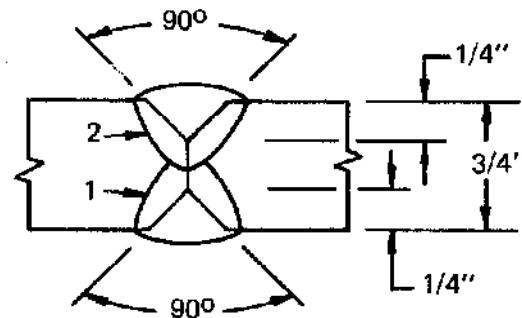


Fig. 7-8. A typical double-V weld in Type 304 plate. Pass 1 was made at 700 amp, 33 volts, 16 ipm; pass 2 at 950 amp, 35 volts, 12 ipm. The power was DCRP; electrode 3/16-in. Type 308; neutral flux.

of 1-1/4 to 1-1/2 in. Root face dimensions are 1/8 to 3/16 in. This joint design is also used for two-pass welds without backing where plate thickness exceeds 5/8 in. The first pass is the backing weld made in the V of the joint. The work is then turned over and the finishing weld is made on the flat side. The root face is approximately 3/8 in. for two-pass welds.

The double-V groove butt is the basic joint design for submerged-arc welding. A large root face is generally used with this design. Figure 7-8 shows a

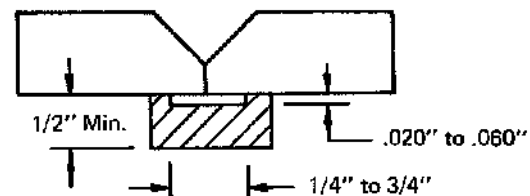


Fig. 7-9. Recommended groove dimensions for copper backing bars in the submerged-arc welding of stainless steels.

\*Much of this material is from *Joining of Stainless Steels* published by ASM.

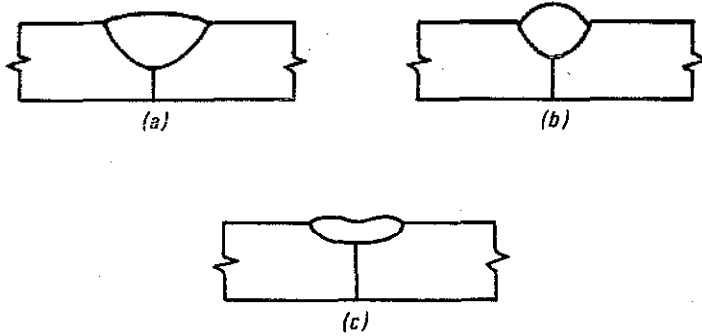


Fig. 7-10. (a) Contour of a weld bead in the flat position with the work horizontal; (b) welding slightly uphill; (c) welding slightly downhill.

typical double-V groove weld in 1/2-in. 304 plate and describes the welding sequence.

A single-U groove butt joint design is also commonly used. A small manually produced backing weld is often made from the reverse side of the joint.

## WELDING PROCEDURE

For stainless-steel welding, DC power is mostly used on thin sections. Either AC or DC may be used on heavier pieces but DC is preferred. Currents used are about 80% of those used for carbon steel. Single-pass techniques usually result in dilution levels of 40 to 60%. This may be decreased by using multi-pass welds.

### Weld Backup

Submerged-arc welding creates a large volume of molten metal that remains fluid for appreciable time. It is essential that this molten metal be supported and contained until it has solidified. The two most common means of weld backing are nonfusible backing and fusible backing.

Copper backing is the most frequently used non-fusible backing in the welding of stainless steel.

Recommended groove dimensions are shown in Fig. 7-9.

With a fusible metallic backing, the weld penetrates into and fuses with the stainless backing, which either temporarily or permanently becomes an integral part of the assembly.

### Inclination of Work

Most submerged-arc welding is done in the flat position. This results in the best bead contour and ease of operation. Occasionally, welding is done on circumferential seams. Figure 7-10 illustrates the effect of various inclinations.

### Welding Flux

Submerged-arc fluxes are available as proprietary materials for welding stainless steel. Composition materials fall into two categories — fused type and bonded type. The fused type is glass-like and is produced by melting the ingredients at high temperatures followed by crushing to granulate the flux. The bonded type is produced by mixing the ingredients with a suitable binder and baking the mixture.

Alloying elements are frequently added to the weld deposit through the flux. These include chromium, nickel, molybdenum, and columbium. If alloying additions to the flux are not made, the flux is called "neutral." The term neutral is only relative, in that the alloy content of the weld is still altered.

### Welding Electrodes

Eighteen standard grades of austenitic stainless steel bare welding electrodes are listed in AWS Specification A5.9, covering bare electrodes for submerged-arc and the gas metal-arc welding processes. It also includes chemical composition requirements for the filler metal, but does not specify mechanical-test or composition requirements for deposited metal.

The composition ranges listed in this specification are broad. Since composition profoundly affects weld quality and serviceability, similar variations cannot always be tolerated in the deposit. To maintain control, the welding technique, alloy content of the flux, or other appropriate changes should be made for variations in filler-metal composition. See Table 7-14 for typical electrode types for stainless steels.

Filler-metal specifications are frequently reviewed and periodically revised or expanded. Information about special grades and new or proprietary alloys are also available for submerged-arc

TABLE 7-17. Standard Sizes for Stainless Electrodes

Form	Diameter, in.
Electrode in coils, with or without support	0.045, 1/16, 5/64, 3/32, 7/64 1/8, 5/32, 3/16, 1/4
Electrode wound on standard 12-in. O.D. spools	0.030, 0.035, 0.045, 1/16 5/64, 3/32, 7/64
Electrodes wound on light-weight 1-1/2 and 2-1/2-lb 4-in. O.D. spools	0.020, 0.025, 0.030 0.035, 0.045

TABLE 7-18. Weld Faults and Possible Causes

Fault	Possible cause	Fault	Possible cause
Burnthrough	Current too high Bevel angle too large Root face too small Excessive plate spacing	Reinforcement overlapped	Current too high Speed too slow Voltage too low
"Pear"-shaped fusion zone	Current too high Voltage too low	Reinforcement ropey	Composition layer too deep
Penetration too deep or too shallow	Current too high or low Voltage too high or low Incorrect plate spacing	Reinforcement too high or too low	Current too high or low Voltage too high or low Speed too high Improper spacing in backed welds Improper backing Workpiece not level
Porosity and gas pockets	Shallow composition burden Improper cleaning Contaminated manual weld backing Insufficient penetration in double welds Improper fitup in welds with manual backing Moisture on the plate or in the flux	Undercutting	Speed too high Improper wire alignment in fillet welding Improper backing
Reinforcement narrow and steep-sided	Composition layer too deep Too low voltage Welding up-hill	Voids and cracks	Improper cooling Improper fitup Concave reinforcement in fillet weld

welding from producers and suppliers.

Table 7-17 lists various standard electrode sizes and the spools and coils available.

### Welding Technique

The method used to start the weld will depend on such factors as the time required for starting relative to the total setup and welding time, the number of pieces to be welded, and the importance of starting the weld on a particular place on the workpiece. The several methods of starting the weld that are commonly in use include:

**Fuse-Ball Start.** A tightly rolled ball of stainless steel wool of about 3/8-in. diameter is placed between the end of the electrode and the work. The wire is "inched" forward to compress the ball. Flux is added and the arc flashes through the stainless steel wool. This method is the one most frequently used.

**Pointed-Wire Start.** Cut the end of the wire to a point and "inch" the wire until the end just contacts the work. Apply flux and start welding.

**Scratch Start.** In a scratch start, the wire is fed toward the work and the carriage travel also is started. When the wire touches the work, it will not fuse to the workpiece because of the relative motion of the carriage. This type of starting is also called a "flying start."

**Retract Starting.** The wire is "inched" toward the work and covered with flux. When the weld is started, the wire retracts momentarily and then reverses to feed forward. This method is not recommended for light-gage stainless steel.

Once the arc is initiated, it is important to monitor the various parameters. Welding current is the most influential variable. Next in importance is welding voltage. Welding-speed changes conform to a pattern; if the speed is increased, there is less weld reinforcement; if decreased, there is more weld reinforcement. In addition, weld speed can affect depth of penetration.

An index of typical weld faults is given in Table 7-18.



Welded stainless steel hopper car.



Welding a stainless steel hopper car with semiautomatic submerged-arc process.

## Welding Stainless Steels with the Gas Metal-Arc Process

Stainless steels may be welded by the gas metal-arc process, using either spray-arc, short-circuiting, or pulsed-arc transfer.

Copper backup strips are necessary for welding stainless-steel sections up to 1/16-in. thick. Backup is also needed when welding 1/4-in. and thicker plate from one side only.

No air must be permitted to reach the underside of the weld while the weld puddle is solidifying. Oxygen and nitrogen will weaken molten and cooling stainless steel. If the jig or fixture members permit an appreciable quantity of air to contact the underside of the weld, argon backup gas should be used.

### SPRAY-ARC TRANSFER

Electrode diameters as great as 3/32-in., but usually around 1/16-in., are used with relatively high currents to create the spray-arc transfer. A current of approximately 300-350 amperes is required for a

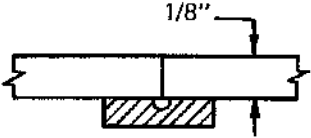
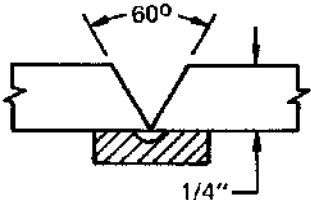
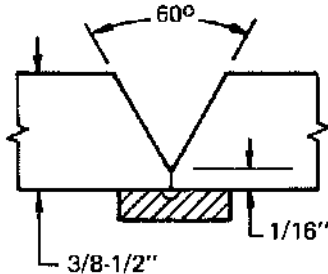
1/16-in. electrode, depending on the shielding gas and type of stainless wire being used. The degree of spatter is dependent upon the composition and flow rate of the shielding gas, wire-feed speed, and the characteristics of the welding power supply. DCRP is used for most stainless-steel welding. A 1 or 2% argon-oxygen mixture is recommended for most stainless-steel welding.

On square butt welds, a backup strip should be used to prevent weld-metal droptrough. When fitup is poor or copper backing cannot be used, droptrough may be minimized by short-circuiting transfer welding the first pass.

When welding with the semiautomatic gun, forehand techniques are beneficial. Although the operator's hand is exposed to more radiated heat, better visibility is obtained.

For welding plate 1/4-in. and thicker, the gun should be moved back and forth in the direction of the joint and at the same time moved slightly from side to side. On thinner metal, however, only back

**TABLE 7-19. Gas Metal-Arc Welding (Semiautomatic)  
General Welding Conditions for Spray-Arc Transfer  
AISI 200 and 300 Series Stainless Steels**

Gas-Argon + 1% Oxygen. Gas flow 35 cfh.				
Plate Thickness (in.)	1/8	1/4	3/8	1/2
Electrode Size	1/16	1/16	1/16	3/32
Passes	1	2	2	4
Current DCRP	225	275	300	325
Wire Feed Speed (ipm)	140	175	200	225
Arc Speed (ipm)	19 - 21	19 - 21	15 - 17	15 - 17
Electrode Required (lb/ft)	0.075	0.189	0.272	0.495
Total Time (hr/ft of weld)	0.010	0.020	0.025	0.050

## 7.4-2 Welding Stainless Steel

and forth motion along the joint is used. Table 7-19 summarizes the welding procedures normally used for the spray-arc welding of stainless steel.

The more economical short-circuiting transfer process for thinner material should be employed in the overhead and horizontal position for, at least, the root and first passes. Although some operators use a short digging spray arc to control the puddle, the weld is apt to be unduly porous.

### SHORT-CIRCUITING TRANSFER

Power-supply units with slope, voltage, and inductance controls are recommended for the welding of stainless steel with short-circuiting transfer. Inductance, in particular, plays an important part in obtaining proper puddle fluidity.

The shielding gas recommended for short-circuiting welding of stainless steel contains 90% helium, 7.5% argon, and 2.5% carbon dioxide. The gas gives the most desirable bead contour while keeping the CO<sub>2</sub> level low enough so that it does not influence the corrosion resistance of the metal.

High inductance in the output is beneficial when using this gas mixture.

Single-pass welds may also be made using argon-CO<sub>2</sub> gas. The CO<sub>2</sub> in the shielding gas will affect the corrosion resistance of multipass welds made with short-circuiting transfer.

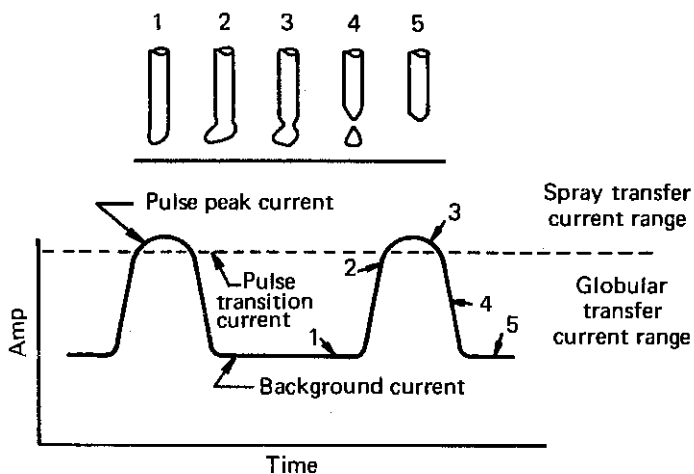


Fig. 7-11. Output current waveform of the pulsed-current power supply. Numbers on curve relate to the metal-transfer cycle shown at top of the figure.

TABLE 7-20. Gas Metal-Arc Welding (Semiautomatic)  
General Welding Conditions for Short-Circuiting Transfer  
AISI 200 and 300 Series Stainless Steels

Gas-Argon + 25% CO <sub>2</sub> or Argon + 2% Oxygen. Gas flow 15 to 20 cfh. Electrode 0.030 in. dia.  *For Argon + 25% CO <sub>2</sub> or Argon + 2% Oxygen. For Helium, + 7-1/2% Argon, + 2-1/2% CO <sub>2</sub> , voltage is 6 to 7 volts higher.						
Plate Thickness (in.) Electrode Size Current DCRP  Voltage* Wire Feed Speed (ipm)  Welding Speed (ipm) Electrode Required (lb/ft) Total Time (hr/ft of weld)	0.063 0.030 85  15 184  17 - 19 0.025 0.0111	0.078 0.030 90  15 192  13 - 15 0.034 0.0143	0.093 0.030 105  17 232  14 - 16 0.039 0.0133	0.125 0.030 125  17 280  14 - 16 0.046 0.0133	0.063 0.030 85  15 184  19 - 21 0.023 0.0100	0.078 0.030 90  15 192  11.5 - 12.5 0.039 0.0167

Courtesy Linde Division, Union Carbide Corporation

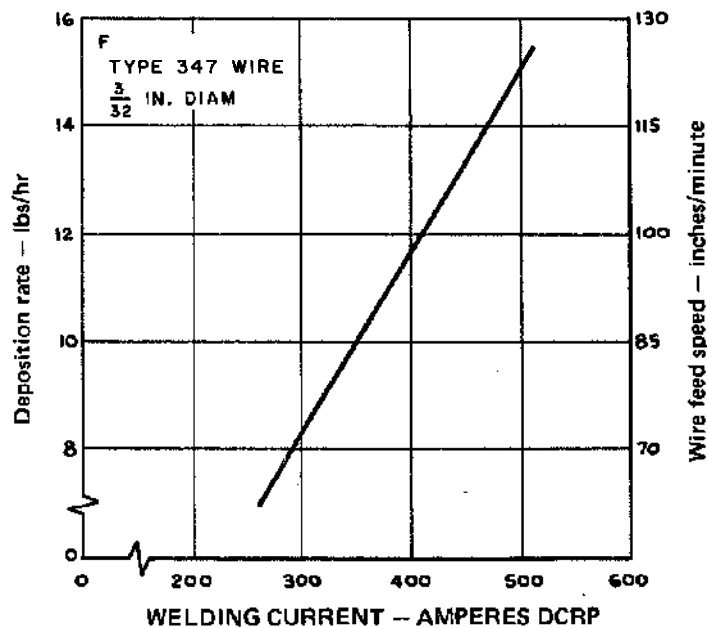
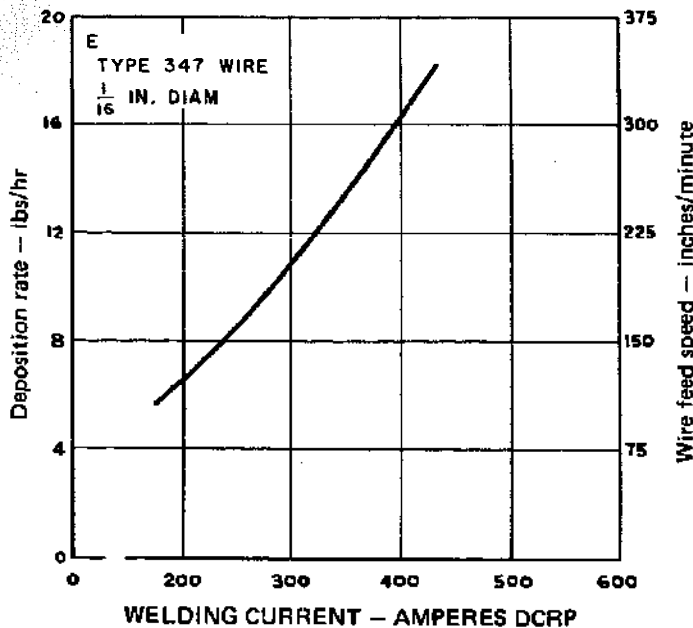
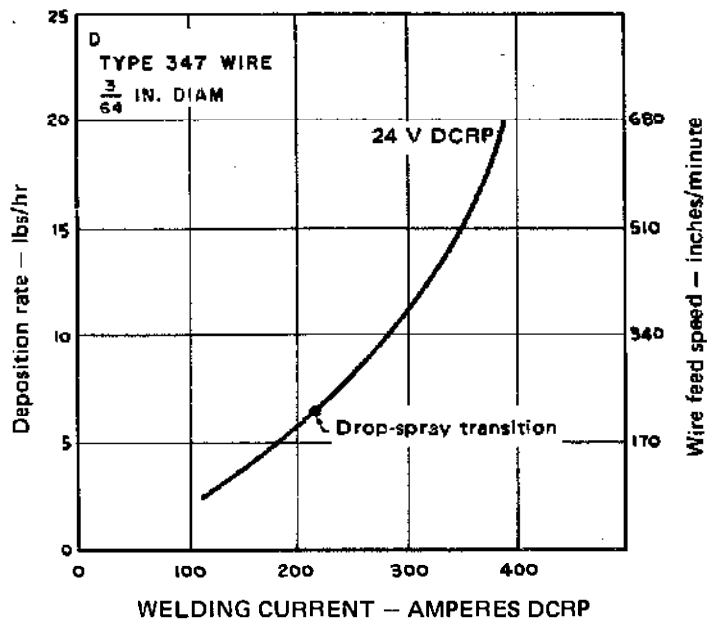
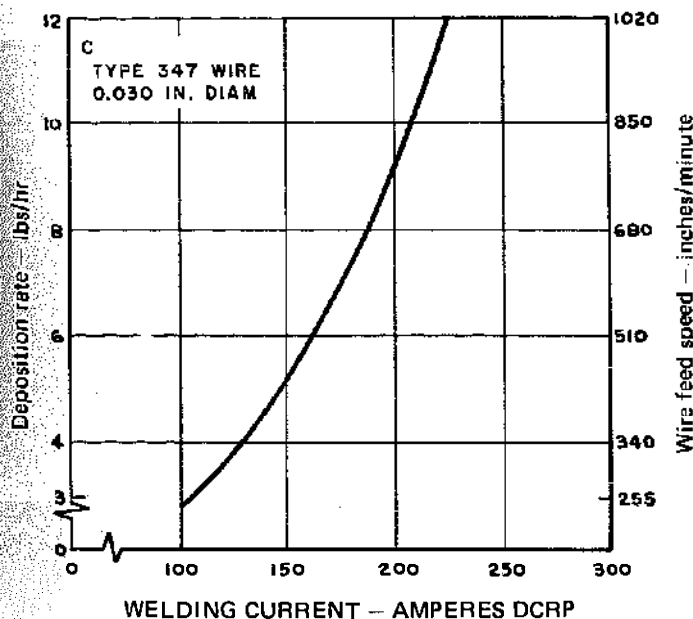
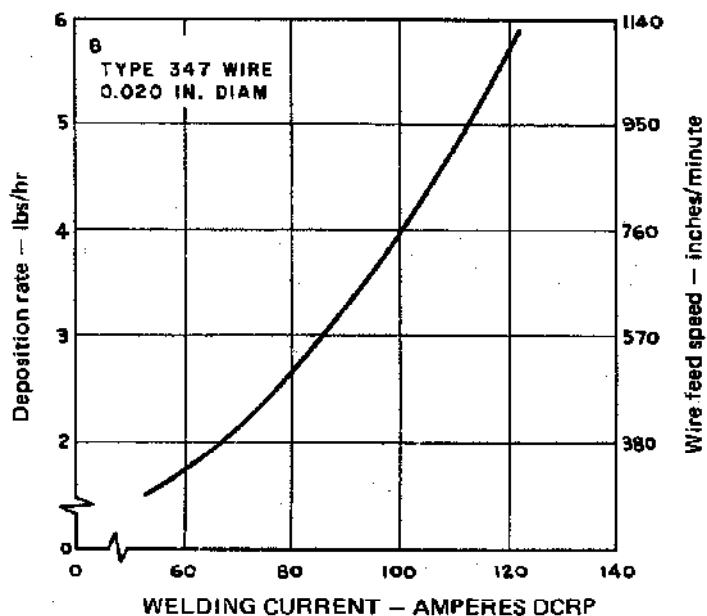
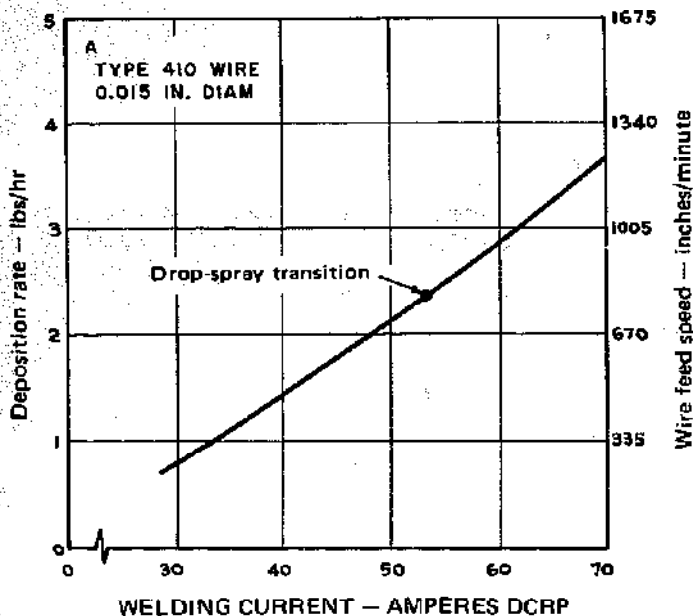


Fig. 7-12. Representative deposition rates of stainless steel electrodes.

Wire extension or stickout should be kept as short as possible. Backhand welding is usually easier on fillet welds and will result in a neater weld. Forehand welding should be used for butt welds. Outside corner welds may be made with a straight motion.

A slight backward and forward motion along the axis of the joint should be used. Table 7-20 summarizes the welding procedures normally used for the short-circuiting transfer welding of stainless steel.

Short-circuiting transfer welds on stainless steel made with a shielding gas of 90% He, 7-1/2% A, 2-1/2% CO<sub>2</sub> show good corrosion resistance and coalescence. Butt, lap, and single fillet welds in material ranging from .060-in. to .125-in. in 321, 310, 316, 347, 304, 410, and similar stainless steels can be successfully made.

### PULSED-ARC TRANSFER

The pulsed-arc process is, by definition, a spray transfer process wherein spray transfer occurs in pulses at regularly spaced intervals rather than at random intervals. In the time between pulses, the welding current is reduced and no metal transfer occurs.

The pulsing operation is obtained by combining the output of two power sources working at two current levels. One acts as a "background" current to preheat and precondition the advancing continuously fed electrode; the other power source supplies a "peak" current for forcing the drop from the electrode to the workpiece. The peaking current is half-wave DC. Because it is tied into line frequency, drops will be transferred 60 times/sec (Fig. 7-11).

Wire diameters of 0.045 and 1/16 in. are most common with this process. Gases for pulsed-arc transfer are the same as for spray-arc welding, namely argon plus 1% oxygen.

Pulsed-arc welding is a more recent innovation than the other types of metal transfer and its application for the welding of stainless steel was not completely explored at the time of publication.

### WELDING ELECTRODES

The electrodes diameters for gas metal-arc welding are generally between 0.030 and 3/32 in. For each electrode diameter, there is a certain minimum welding current that must be exceeded to achieve spray transfer. For example, when welding stainless steel in an argon-oxygen atmosphere with 3/64-in.-

diameter stainless steel electrode, spray transfer will be obtained at a welding current of about 220 amp DCRP. Figure 7-12 illustrates typical deposition rate curves for various stainless steel wire sizes using argon-1% oxygen as the shielding gas. It must be kept in mind that along with the minimum current a minimum arc voltage must also be obtained. This is generally between 24 and 30 v.

Table 7-14 lists austenitic base metals and the recommended electrodes to be used for welding. Electrodes come on spools varying in weight between 2 and 60 lb and sizes range from 0.015 to 0.125 in. Also available are electrodes for welding the straight chromium stainless steels and austenitic electrodes that contain more than the usual amount of silicon. The latter have particularly good wetting characteristics when used with the short-circuiting transfer process.

### SPECIAL CONSIDERATIONS

Some stainless steels during welding have a tendency toward hot shortness or tearing — Type 347, for example. When welding these, more welding passes than indicated in the procedures may be needed. Stringer-bead techniques are also recommended rather than weaving or oscillating from side to side. Hot cracking may be eliminated by stringer-bead techniques since there is a reduction in contraction stresses, hence cooling is more rapid through the hot-short temperature range.

Preheating to about 500°F helps to improve bead contour and reduce hot cracking when using the stringer-bead technique on sections 1-in. or thicker. Weld-metal hot cracking may also be reduced by short-circuiting transfer welding, because of the lower dilution of the base metal. Excessive dilution produces a completely austenitic weld metal having strong cracking characteristics.

When welding magnetic stainless steels (some 400 series) to the relatively nonmagnetic types, it is desirable to:

1. Use a single-bevel joint to obtain minimum joint reinforcement.
2. Use low-heat input short-circuiting transfer to minimize the arc deflection encountered when welding magnetic to nonmagnetic steels.
3. For uniform fusion, be sure the wire is kept centered over the nonbeveled edge of the joint.



# Welding Stainless Steels with the Gas Tungsten-Arc Process

All stainless-steel alloys that are considered weldable can be welded readily with the gas tungsten-arc process (TIG).

The preferred electrode is thoriated tungsten as specified in AWS A5.12-69, Class EWTh-2, although other tungsten electrodes can be used. The advantage of the thoriated electrodes is that they have a more stable arc and can be used with higher currents than pure tungsten electrodes.

The shielding gas is usually argon, but helium or mixtures of argon and helium are used on heavy sections. The advantages of argon are that flow rates can be lower, and the arc voltage is somewhat less than with helium. The lower voltage makes it possible to weld thin sheet without burnthrough.

Welding rods (filler metal) for gas tungsten-arc welding are specified in AWS A5.9-69, and their chemical compositions are shown in Table 4-21. There is no specification for the mechanical properties of the weld metal. According to AWS A5.9-69, "... the classification is on the basis of chemical composition of the filler metal as manufactured. Mechanical tests have not been included because the developments in the use of these filler metals for the gas tungsten-arc process have not progressed far enough to permit standardization of mechanical tests and yet make them sufficiently searching for all applications. It can be stated, however, that joints made with these filler metals under properly controlled welding procedures and using

**TABLE 7-21. Typical Procedures for Welding Stainless Steels  
with the Gas Tungsten-Arc Process**

	Less than			
Plate Thickness, T (in.)	1/16	3/32	1/8	3/16
Current, DCSP	80 - 100	100 - 120	120 - 140	200 - 250
Electrode Diameter (in.)	1/16	1/16	1/16	3/32
Gas Flow, Argon (cfh)	10	10	10	15
Filler-Rod Diameter (in.)	1/16	1/16	3/32	1/8
Arc Speed (ipm)	12	12	12	10
Total Time (hr/ft of weld)	0.0167	0.0167	0.0167	0.0200
Plate Thickness, T (in.)	1/16	3/32	1/8	3/16
Current, DCSP	90 - 110	110 - 130	130 - 150	225 - 275
Electrode Diameter (in.)	1/16	1/16	1/16	3/32
Gas Flow, Argon (cfh)	10	10	10	15
Filler-Rod Diameter (in.)	1/16	1/16	3/32	1/8
Arc Speed (ipm)	10	10	10	8
Total Time (hr/ft of weld)	0.0200	0.0200	0.0200	0.0250

For vertical-up and overhead, decrease the current 10 to 20%.

the processes prescribed herein will have mechanical properties at least equal to the base metal of corresponding chemical composition.”

Typical procedures for gas tungsten-arc welding of stainless steels are given in Table 7-21.

Filler-metal selection is very important in TIG welding and is usually specified by the design engineer. If no class of filler metal is specified, Table 7-14 can be used as a general guide to filler-metal selection. When two different types of stainless steels are to be joined, Table 7-15 can be used as a guide. However, the tables should be used with caution. Where corrosive conditions are severe, the filler-metal selection can be very critical as indicated in the footnote to Table 7-14.

The DC power source for gas tungsten-arc welding must be a variable-voltage type, and it is recommended that a high-frequency voltage be superimposed on the welding circuit. The high frequency need be on only to start the arc. As the electrode is brought close to the work, the high-frequency jumps the gap from the tungsten to the work and ignites the welding arc. Since the tungsten electrode does not actually touch the work, the possibility of contaminating the stainless steel with tungsten is greatly reduced. Straight polarity should be used — which produces a deep, penetrating weld.

A “scratch” start may be used in lieu of a high-frequency start, although there is some possibility of tungsten pickup. The arc should not be struck on a carbon block because of the likelihood of carbon

contamination. Good jiggling is essential for good performance. The problems likely to be encountered when TIG welding the austenitic type stainless steels and the possible remedies are listed in Table 7-22.

## AUTOMATIC TIG WELDING

Stainless steels are readily welded with automatic TIG. Arc voltage is proportional to arc length — thus, a reliable signal can be generated to operate automatic arc-voltage control equipment. Filler metal may be used, or light-gage material may be joined by simple fusion of the joint edges. When

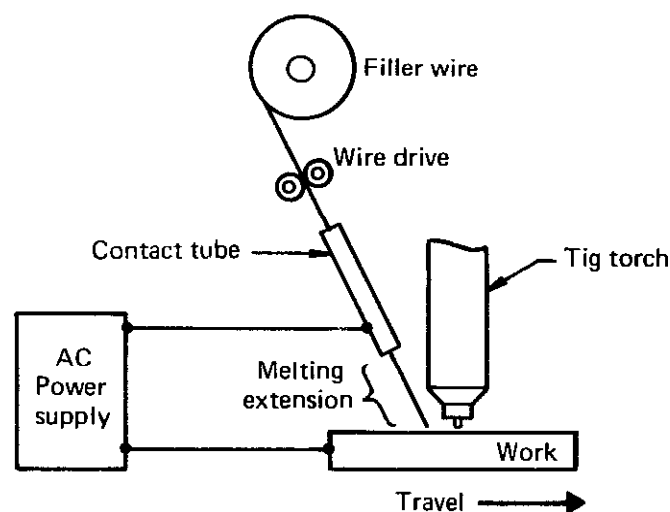


Fig. 7-13. Schematic of the hot-wire system for the automatic TIG welding of stainless steels.

TABLE 7-22. Problems That May be Encountered in TIG Welding of Austenitic Types of Stainless Steels

Problem	Possible Cause	Possible Remedy
Occasional hot tearing	Improper joint design; sequence of welding; jigging	Change joint design; change sequence; check polarity
Decreased ductility	Excessive heat input	Use lower current; use multipass technique with narrow stringer beads made at high speed with high current.
Decreased corrosion resistance near weld	Carbide precipitation	Use stabilized or ELC grade of base metal, such as 347 or 304L and columbium- stabilized rod; or heat entire assembly to 1900°F and cool rapidly after welding
Arc wanders	Low current density Carbon contamination Air drafts Magnetic effects	Use smaller electrode; raise current Do not strike arc on carbon block Shield torch with windbreak; raise gas flow Alter ground lead; use nonmagnetic hold-down clamps

“cold” filler metal is used, it is always added to the front of the puddle.

### Hot-Wire Welding

The so-called “hot-wire” method of welding gives greatly increased deposition rates and welding speeds. The wire — which trails the torch, as illustrated in Fig. 7-13 — is resistance-heated by a separate AC power supply. It is fed through a contact tube and extends beyond the tube. The extension is resistance-heated so that it approaches or reaches the melting point before it contacts the weld puddle. Thus, the tungsten electrode furnishes the heat to melt the base metal and the AC power supply furnishes essentially all of the energy needed to resistance-melt the filler wire. The hot-wire method is, in effect, an adaptation of the long-stickout principle used in submerged-arc and self-shielded flux-cored arc welding. The wire used for hot-wire TIG welding is usually 0.045-in. diameter.

Since the wire is melted — or very nearly melted — by its own power source, the deposition rate can be controlled almost independently of the arc.

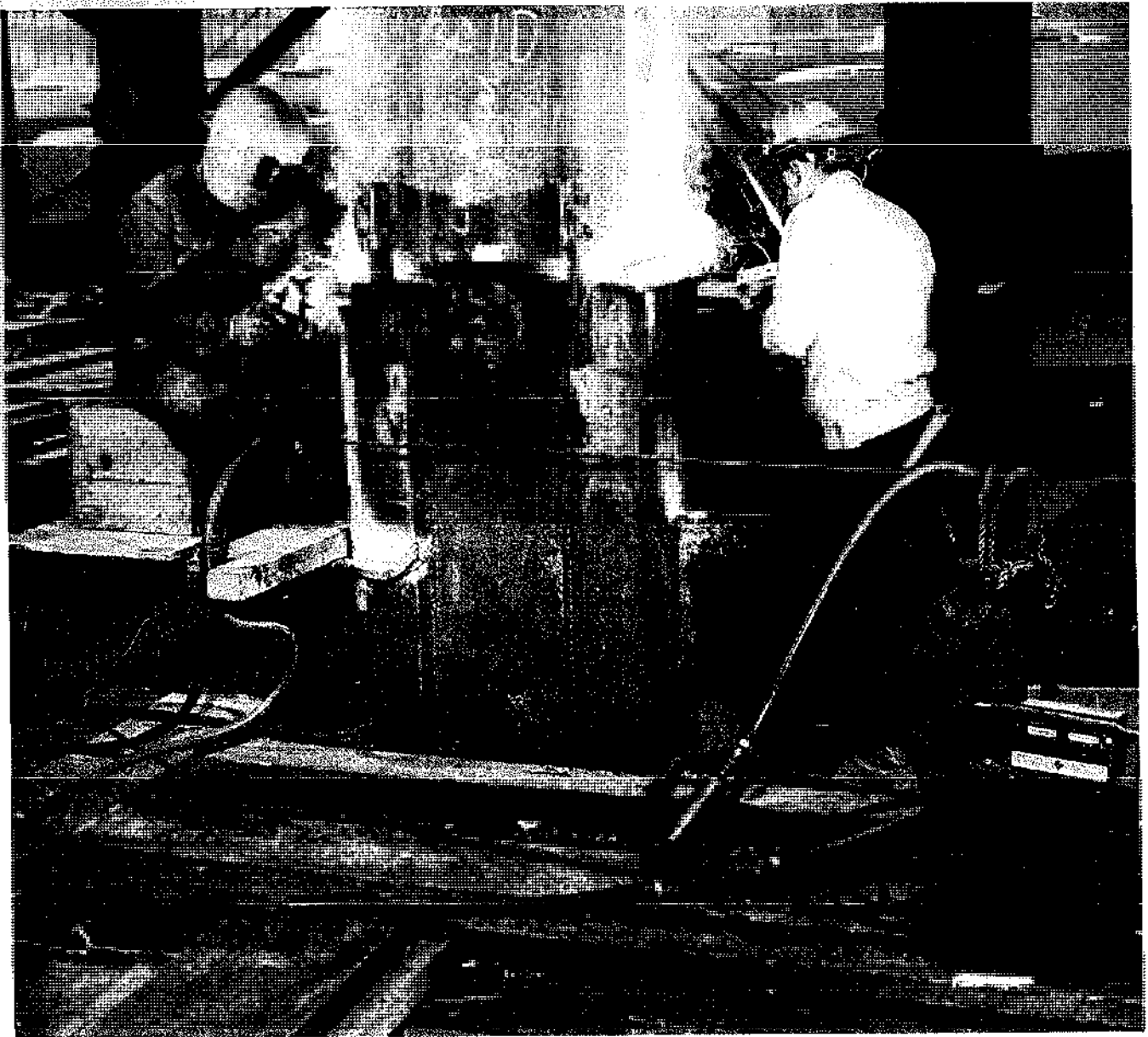
Using the TIG hot-wire method, deposition rates up to 18 lb/hr can be achieved when welding at 400 to 500 amp DCSP (Table 7-23). Still greater deposition rates can be obtained using an automatic oscillated welding technique. Voltage control is essential to achieve control of the large puddle when welding at high deposition rates. For this reason, TIG hot-wire welding requires the use of voltage-control equipment.

### Multiple-Electrode Welding

By using closely spaced multiple tungsten electrodes, the welding speed can also be increased substantially when TIG welding stainless-steel tubing or sheet. Multiple electrodes practically eliminate the problem of undercutting at high speeds.

TABLE 7-23. Typical Speeds and Deposition Rates with TIG Hot-Wire

Wire size: 0.045-in. Shielding gas: 75% He, 25% A Electrode: 5/32-3/16-in. diam, 2% Th				
Arc current, amp	Voltage	Speed, in./min	Wire, in./min	Deposition rate, lb/hr
300	10-12	4-10	110-370	3-10
400	11-13	6-14	185-445	5-12
500	12-15	8-20	295-665	8-18



Field welding a splice on a large column connection. Semiautomatic welding is replacing shielded metal-arc welding on these applications.

# WELDING CAST IRON AND CAST STEEL

## SECTION 8.1

### WELDING CAST IRON

	Page
Types of Cast Iron . . . . .	8.1-1
Electrodes for Cast Iron . . . . .	8.1-2
Welding Gray and Malleable Irons . . . . .	8.1-2
Electrode Selection . . . . .	8.1-2
Preparations for Repair Welding . . . . .	8.1-3
Welding Nodular Iron . . . . .	8.1-6

## SECTION 8.2

### WELDING CAST STEEL

Preparation for Welding . . . . .	8.2-1
Effects of Welding . . . . .	8.2-2
The Welding Operation . . . . .	8.2-2

## Welding Cast Iron

There are four major types of cast iron — gray iron, malleable iron, nodular iron, and white (or chilled) iron. Most cast-iron parts are made in gray iron, a weldable material. Malleable iron and nodular iron are also weldable, but they require a heat treatment after welding to restore their normal strength and ductility. White iron, on the other hand, is so difficult to weld that it is generally considered to be unweldable. Approximate compositions of these materials are listed in Table 8-1.

**Gray Iron:** This material is the most common type of cast iron, and it can be welded without undue difficulty if certain precautions are observed concerning preheat and cooling rates after welding. Gray iron contains considerable free graphite, which gives broken surfaces a characteristic gray color. Combined carbon in gray iron is usually less than 0.8%; the remaining carbon is in the form of graphite.

**White Iron:** This type of iron is an exceptionally hard material, produced by pouring the molten metal against metal or graphite cooling surfaces (called chills or chillers) inserted in the mold. The chills cause the molten metal to solidify and cool very rapidly. When this happens, much of the carbon in the metal remains in solution rather than precipitating out as free graphite, as in gray iron. The casting thus retains a high proportion of iron carbide and is therefore harder and more brittle than ordinary gray iron, even though it has the same chemical analysis. (White iron, however, usually has less silicon than gray iron.) The rapidly chilled portions are extremely hard and are unmachinable. White iron has a fine grain structure and a characteristic white appearance upon fracture.

White iron is seldom used as cast, except for parts such as dies, rollers, and molds. It is usually cast as the first step in the making of malleable iron, a much more useful material.

**Malleable Iron:** This material is a white cast iron that has been heat treated by a long annealing process (usually lasting 2 or 3 days) that changes the combined carbon (iron carbide-cementite) into iron and a uniformly distributed "temper carbon" (ferrite and free graphite). This heat treatment increases both strength and ductility. Malleable iron is very much tougher than white or gray cast iron and can be bent an appreciable amount. White and gray cast irons break in a brittle fashion with very slight bending. When malleable iron is welded, the beneficial effects of the heat treatment are destroyed in the vicinity of the weld by the sudden chilling from the welding temperature. The fusion zone reverts back to chilled cast iron and must again be heat-treated to return to the malleable condition.

**Ductile Iron:** Although quite similar to gray cast iron in composition, ductile iron possesses much of the strength and ductility of steel. The internal notch effect of flake graphite in gray iron is a prime factor in reducing its tensile strength, toughness, and ductility. In ductile iron, this graphite is converted into spheroids that minimize the notch effect and thereby produce a product combining the strength and ductility of cast steel with the low cost, wear resistance, and damping characteristics of cast iron.

An essential difference in composition between gray cast iron and ductile iron is a small amount of magnesium or cerium contained in ductile iron. These elements cause graphite to form into spheroids. Also, in gray iron the silicon content is

TABLE 8-1. Compositions of Cast Irons (% of Constituents)

	Fe	Total C	Si	S	P	Mn
Gray Iron	Balance	2.0 - 4.0	1.0 min	0.2	0.6	1.0 max
Malleable Iron	Balance	2.0 - 3.0	0.9 - 1.8	0.2 max	0.2 max	0.25 - 1.25
Nodular Iron	Balance	3.2 - 4.1	1.8 - 2.8	0.03 max	0.1 max	0.80 max
White Iron	Balance	2.5 - 4.0	0.4 - 1.6	0.15	0.4	0.3 - 0.8

**TABLE 8-2. Recommended Current Ranges (amp)  
for Welding Cast Ferrous Metals**

AWS Class	Electrode Size (in.)			Polarity
	1/8	5/32	3/16	
ECI	150 – 175		175 – 200	DCRP or AC
ESt	80 – 100			DCRP or AC
ENi-CI	60 – 110	100 – 135		DCRP
	65 – 120	110 – 150		AC
ECuSn-C	50 – 125	70 – 170	90 – 220	DCRP

held within lower limits, since silicon has a coarsening effect on flake graphite. This effect has not been noted with graphite nodules.

### ELECTRODES FOR CAST IRON

Electrodes for welding cast irons are specified in AWS A5.15-69, as shown in Section 4.1, Table 4-23. Recommended current ranges are shown in Table 8-2. These electrodes are classified in the following manner.

**RCI Group:** Intended for oxyacetylene welding.

**ECI Group:** A covered electrode with cast-iron core wire.

**ESt Group:** A covered electrode with steel core wire. The weld deposit is not machinable.

**ENi Group:** A covered electrode with nickel-base core wire. Welds are machinable.

**Copper Base Group:** Intended for braze welding and surfacing cast iron.

Details concerning electrode application are presented in the following text. In brief, the ECI group provides a weld most similar to that of the base metal of the casting. This electrode cannot be used, however, unless the casting can be moved to a furnace and subjected to an extremely high (red-hot) preheat. The ESt group is used where lowest cost or maximum strength are desirable, and a nonmachinable deposit is acceptable. The ENi group provides a soft, ductile, machinable deposit and fusion zone with a slight sacrifice in strength and an increase in cost.

### WELDING GRAY AND MALLEABLE IRONS

A gray-iron casting is made by pouring molten iron into a mold. The metal is allowed to cool slowly. As it cools most of the carbon in the metal precipitates out as a flaky form of graphite. This

graphite gives the iron its gray color and some of its properties.

When the casting is welded, the area adjacent to the weld is raised above the critical temperature — about 1450°F. The mass of the casting around the weld tends to draw the heat from the weld area rapidly. If this cooling of the heat-affected zone and the weld is more rapid than it was when the casting was originally made, a highly brittle, crack-sensitive zone develops.

The best method to slow the cooling rate is to preheat the casting to prevent the iron from rapidly absorbing heat from the weld area. Some castings, however, cannot be preheated. Welding techniques and electrode selection must therefore take into account whether or not the casting can be preheated. White iron is generally considered unweldable and is not discussed in the following.

### Electrode Selection and Welding Guidelines

Practically the same welding procedures are used for both gray iron and malleable iron. The prime difference is the need to heat-treat malleable iron to restore its properties after welding.

**Small Parts:** A considerable amount of welding on cast iron is for the repair of parts, such as brackets, sprockets, and levers. Such parts can be readily preheated and welded on the work bench, and no subsequent machining is required. They are usually welded with ESt electrodes for good strength and low cost. This type of electrode is best for penetrating into corners, V grooves, and other hard-to-get-at places and for use on “dirty” castings with sand inclusions or for castings that are soaked with oil or water. ENi electrodes provide a better bond on clean castings and provide a softer and more ductile weld and fusion zone.

The ESt deposit and fusion zone are not machinable unless several passes are used. ENi deposits are machinable regardless of the number of passes. A preheat (500°F) for these small parts is recommended to retard the cooling. The preheat also provides the added advantage of removing oil and water from the cast surface.

**Large Parts with Preheat:** Many parts such as flywheels and machine frames, although large, can be moved for preheat and for controlled cooling into a furnace or temporary firebrick oven. Preheat is especially recommended for large parts subjected to extreme shock or severe loading. Recommended procedure is to heat the casting to the red-hot condition and weld with cast-iron filler metal and a carbon arc, or with a cast-iron electrode (ECI).

These procedures produce a weld most nearly approaching the characteristics of the cast metal. The weld is machinable if the casting is cooled slowly.

**Large Parts without Preheat:** When no furnace is available, or when the part is too large to move to a furnace, the weld must be made without benefit of preheat. Also, preheat may not be necessary if only light loads are applied to the casting. ENi electrodes are normally used in these applications, since they provide a soft, ductile deposit without preheat.

**Liquid-Tight Welds:** Occasionally, parts such as water jackets, cylinder heads, valve ports, or gear cases must be repair-welded, and the need to maintain liquid-tightness is a primary concern. In many such cases, preheat cannot be used because it may warp critical mating surfaces. Here, the ENi electrode will produce a weld least likely to crack or check if the casting is clean (not oil or water soaked), and if the preparation can be beveled and the weld made in a downhand position. The deposit is machinable, and the fusion zone also may be machinable if a second pass is made to reheat and soften this zone.

An ESt electrode is recommended if the weld is hard to reach or not in the flat position, and if the casting is dirty. Both deposit and fusion zone will then be hard and unmachinable. A typical repair weld in a cylinder head is shown in Fig. 8-1.

**Correcting Defects:** Welding is often used to repair defects at the foundry or to correct machining errors. The usual practice is to weld with an ENi electrode. Where possible, a local preheat should be used, or more than one pass should be made to retard chilling and produce a fusion zone that is as

soft as possible. A typical weld of this type, made with an ENi electrode, is shown in Fig. 8-2.

**Welding Steel to Iron:** Damaged iron castings are sometimes repaired by the addition of a welded patch of mild steel. Also, steel is sometimes welded to cast iron in production. The welding of steel to cast iron never produces a joint of the same toughness as that between two pieces of mild steel, but in some applications a joint with satisfactory strength can be made with the ESt electrode. The bond to the steel will be strong, but the bond to the cast iron will usually be brittle. The use of the ENi electrode will make a somewhat stronger bond to the cast-iron part at higher cost. The use of lower-cost ESt electrode produces a strongly caustic slag that must be removed thoroughly before painting. This extra cleaning cost should be considered in choosing between the two electrodes if painting is used.

On some production applications where thin sheet metal is to be joined to cast iron, small-diameter, low-hydrogen E7018 electrodes with low currents can be used. The fusion zone in the cast iron will be brittle, so this method of joining should not be used where impact or bending loads are involved. Nor is it recommended for liquid-tight welds. It can, however, be tried experimentally as a lower-cost alternative to ENi electrodes. Welds made with E7018 can be painted after the usual cleaning.

### Preparations for Repair Welding

**Locating Cracks:** Much of the welding on cast iron is to repair cracks that have developed in service. A simple method for locating surface cracks in castings is to swab the damaged area with a kerosene-soaked rag to remove grease and dust. Allow

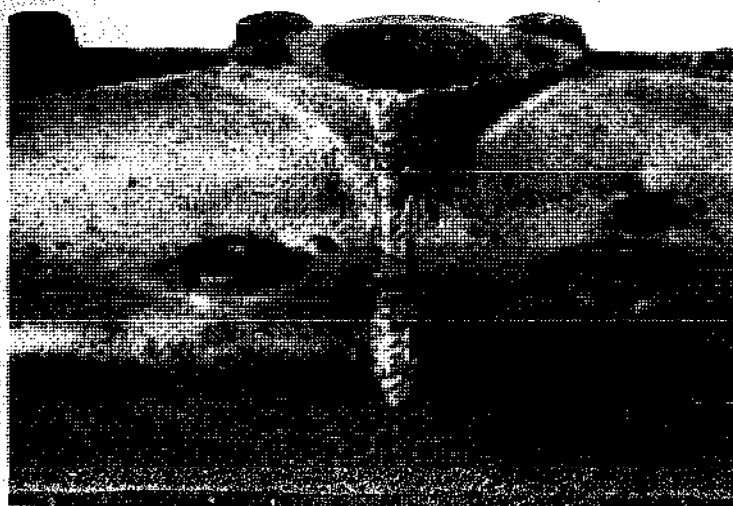


Fig. 8-1. Repair of a crack in a cast-iron cylinder head with an ESt electrode.

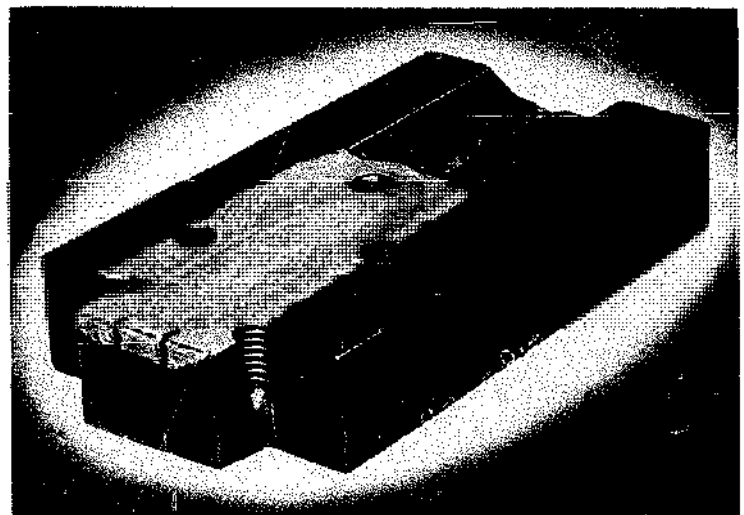


Fig. 8-2. A machinable repair weld made in cast iron with an ENi electrode.



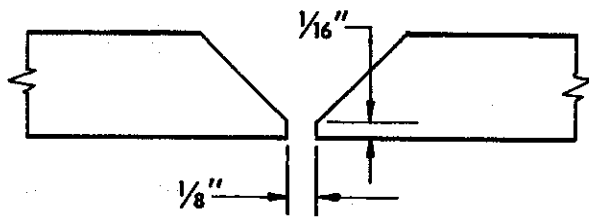


Fig. 8-3. Recommended preparation for repairing cracks extending through thick cast-iron parts.

the kerosene to penetrate any cracks; then wipe the area dry. Immediately chalk over the area with common blackboard chalk. After a few minutes, even cracks not visible to the naked eye become evident by the kerosene in them bleeding back through the chalk. Dye-penetrant procedures may also be used for detecting cracks in castings (see Section 11.2)

**Cleaning the Joint Area:** Make certain the casting is clean. Remove surface oil, rust, water, and other foreign material. If possible, grind off the "skin" of the casting, which may contain sand or other impurities from the mold. To prevent porosity, especially when using the ENi electrode, remove all water and oil that may have penetrated deeply into the pores of the casting. This can best be done by heating to almost red heat for a short interval, or heating to a lower temperature (400°F) and holding for about an hour. The first pass on a contaminated casting may have porosity resulting from imbedded contaminants, but subsequent passes usually will be satisfactory due to the heating by the first bead.

**Preparing the Joint:** Prepare the joint with a V groove so that a weld with a cross section at least equal to material cross section can be made without deep penetration and admixture of the base metal into the weld deposit. Sometimes when repairing a crack the heat of the arc will create stresses that cause the crack to propagate. To avoid this, drill a small hole at each end of the crack. Grind, chip, machine, or saw the crack to create the V groove. Gas-cutting or arc-gouging can be used on castings that are preheated for welding. Be sure the groove extends to the bottom of the crack. On sections more than 3/16-in. thick, bevel the edges so the root of the joint is 1/8-in. to 3/16-in. wide. If the crack extends through the section, leave about a 1/8-in. gap and 1/16-in. root face, as illustrated in Fig. 8-3. Remove surface scale by grinding wherever welds are to be placed. Be sure the work is clean and dry.

**Preheat and Postheat:** A softer and more ductile weld and fusion zone is obtained if the casting is

preheated before welding and cooled very slowly. Preheating to 400°F is satisfactory, but higher temperatures (up to 900°F) are usually more effective. For best results, keep the casting at this temperature throughout the welding. If the casting drops below the preheat temperature during welding, reheat before allowing to cool. For slow cooling, the welded casting should immediately be placed in lime, asbestos, dry sand, or other insulating material to keep the heat from being dissipated rapidly.

**Welding without Preheat:** Most small castings are welded satisfactorily without preheating, although preheat usually improves the toughness of the weld. Slow cooling, however, is always essential. Where preheating is not used, a two-pass weld is recommended if a soft fusion zone is desirable. The first bead serves as a preheating for the second bead, which tends to slow the cooling and produce an annealing that makes a softer, more machinable fusion zone.

On large parts that must be welded without preheat, the primary goal is to keep the casting as cool as possible. Use small-diameter electrodes and low currents. Deposit short welds spaced apart so that one may cool while the other is being deposited. It may be necessary to stop welding at intervals to allow the casting to cool. The principal reason for keeping the temperature down is to prevent warpage or possible breakage from uneven heating and expansion.

**Admixture of Base Metal:** Use just enough current to get good fusion without voids or slag inclusions. Every attempt should be made to minimize the amount of cast iron melted into the weld. When ESt electrodes are used, the deposited metal becomes high-carbon steel due to admixture of the high-carbon cast iron. If this deposit cools quickly, it becomes extremely hard and brittle, and may crack. Moreover, it is not machinable.

The use of ENi electrodes usually solves this problem. As contrasted with steel rod, nonferrous alloys do not harden appreciably when deposited on cast-iron base metal. The weld deposits are therefore machinable. However, the hardening of cast iron in the casting adjacent to the line of fusion (due to the quenching action of the mass of cold metal in back of it) remains much the same as in the case of welding with a steel electrode.

**Controlling Bead Shrinkage:** The shrinkage or contraction of steel as it solidifies from the molten state is greater than that of cast iron. Therefore, when the molten steel from a steel electrode is

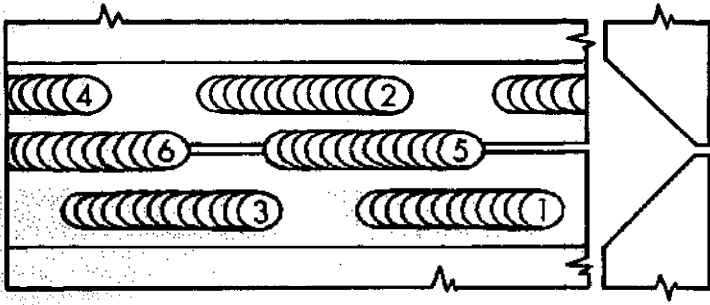


Fig. 8-4. A sequence of short welds helps avoid the cumulative stresses that would occur with long weld beads. Peening these short welds before they cool stretches the metal and reduces strain.

deposited on cast iron, the steel shrinks more than the cast iron on which it is deposited. This differential shrinkage causes a residual strain in both the weld metal and the cast iron. A bead of weld metal deposited on cast iron will be in tension if allowed to cool without further treatment. At the same time the cast iron on which the weld metal has been deposited will be stressed due to the pulling action of the weld metal on the cast iron. Since the cast iron is weaker, failure may occur (particularly when the bead of weld metal is long) as a break in the cast iron just outside of the line of fusion. If the weld is thin in cross section, failure may occur as cross cracks in the bead.

Since the strain is cumulative, it increases with the straight length of weld. To reduce the strain, deposit the weld metal in short lengths and allow each to cool (Fig. 8-4). For example, weld 15 to 30 seconds and then allow the weld to cool for 3 to 5 minutes. By depositing small welds in various parts of the work one weld is allowed to cool and contract while the operator is depositing metal in another location. An alternative is to upset or peen the deposited weld metal lightly before it has a chance to cool and contract. This causes the weld metal to stretch. In many cases, it is best to use a combination of short welds and peening. Use small-ball (1/2-in. — 3/4-in.) peening hammers.

**Castings with High-Graphite Content:** Castings having a great amount of large, free graphite flakes are difficult to weld, since the weld metal does not fuse to the graphite. Instead, it tends to ball-up and resists working into the melted surface of the casting. This behavior is most common on castings that have been heated repeatedly, such as old furnace grates or exhaust manifolds. The EST electrodes for cast iron have a coating designed to flux out some of this flaky graphite, thereby improving fusion.

**“Buttering:”** Where large V’s are to be welded, it is sometimes beneficial to line the sides with an EST electrode, and then fill in the remaining void with

mild-steel electrode E7018. This process is called “buttering.” Shrinkage is lessened since the layers of deposited metal on each side of the groove can cool without restraint, and a smaller volume of deposit subject to restraint is required for filling the final groove.

**Studding:** As explained previously, the chilling action of the cast iron increases the combined carbon and, in turn, increases hardness and brittleness, thereby weakening the strength of the cast iron just outside of the line of fusion. Welds in cast iron, if of sufficient thickness, may be strengthened mechanically by a process called studding. Studs of steel approximately 1/4 in. to 3/8 in. in diameter should be used. The crack in the casting should be V-cut, drilled, and tapped so that the studs may be screwed into the V or the area of reinforcement. The studs should project about 3/16 in. to 1/3 in. above the surface, and should be long enough to be screwed into the casting to a depth of at least the diameter of the studs. Figure 8-5(a) illustrates the practice of studding.

The cross-sectional area of the studs should be about 25% to 35% of the area of the weld surface. In such cases the strength of the weld may safely and conservatively be taken as the strength of the studs. It is considered good practice to first weld one or two beads around each stud, making sure that fusion is obtained both with the stud and cast-iron base metal. Straight lines of weld metal should be avoided if possible. Welds should be deposited intermittently, and each bead should be peened before cooling.

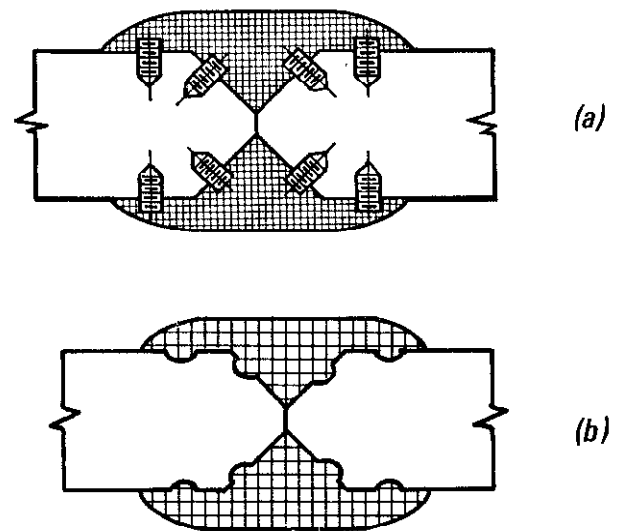


Fig. 8-5. A typical studded joint (a). An alternative to studding is to tool round-bottom grooves or locks into the joint preparation (b)

It is advisable, where the casting is of sufficient thickness, to use V grooves on both sides. In many cases it may be desirable to produce complete penetration at the fracture. In some cases it is better practice not to stud, but to shape grooves or locks into the casting with a round-nose tool. This method of preparation is shown in Fig. 8-5(b).

### WELDING NODULAR IRON

Nodular iron, sometimes referred to as ductile iron, is available in several different metallurgical conditions. One ferritic form provides high ductility; another ferritic form provides high strength. A pearlitic form provides high strength, and an austenitic form provides maximum resistance to corrosion, high temperatures, and thermal shock.

Ductile iron is readily welded when in the ferritic and pearlitic state. When maximum strength and ductility are desired, the part should be in the fully annealed condition. The main concern in welding, then, is to reduce the rates of heating and cooling to prevent cracking. The more complex and massive the assembly, the longer the time and higher the temperature required for heat treatment. It is desirable to preheat the part to 550-750°F and to reduce cooling by external heating. To insure good

penetration, it is desirable to remove the cast-iron skin.

Nodular iron can be welded by most commercial welding processes. Regardless of the process used, preferred practice is to use electrodes manufactured specifically for nodular iron. These electrodes have a composition of approximately 60% Ni and 40% iron, with a carboniferous lime-spar flux or coating. With metal-arc welding, the E310-15, E310-16, and E7018 electrodes have been used successfully. Amperage should be low to insure minimum dilution and minimum local heating. Recommended amperages with various sizes of E7018 electrodes are:

Electrode Diameter	Recommended Current (amp)
3/32-in.	60- 70
1/8-in.	90-100
5/32-in.	120-130
3/16-in.	140-150

Parts should be covered with an insulating material to produce slow cooling. For best results, postheat treatments to 850°F for four hours, or 1000°F for two hours, for the relief of stress should be used.

## Welding Cast Steel

Arc welding is used both to make repairs to steel castings and as a means of joining castings together in the manufacture of cast-steel structures. Castings may also be welded to steel plate or to wrought steel in the fabrication of machine or structural parts. Figure 8-6 is an example of the use of submerged-arc welding to join the two cast halves of a large structural unit. Here, weld joining of two castings makes practical a final assembly without the heavy flanges that would otherwise be required for bolt-joining.

Despite its usefulness in joining cast parts, or in joining castings to plate or wrought steel, the main use of welding in the casting industry is for the repair of defects. Defects, such as surface blemishes and voids, are consequences of the complexity of the casting operation, and the more complex the casting, the more likely it is to have defects. Welding is also used extensively for the repair of cracks and breakages that occur with cast-steel parts in service.

The metallurgical problems and chill effects encountered in welding cast steel are not as critical as those encountered when welding cast iron. Steel castings can, in fact, be welded as readily as wrought steels of the same composition and heat treatment. Cast steel, however, is usually somewhat more difficult to weld than wrought steel because of the thermal strains and resulting tendencies for cracking that normally occur in thick sections typical of castings.

Manual shielded metal-arc welding is used in most repair work on steel castings. Automatic and semiautomatic welding processes give cost advantages with large-volume welds and in repetitive operations. The most widely used of the mechanized processes are gas metal-arc and submerged-arc. Electrode composition can sometimes be matched closely to the composition of the casting. Alloying elements may be supplied by the flux when using the submerged-arc process.

### PREPARATION FOR WELDING

The methods for removing defects in steel castings are similar to those used for cast iron (see Section 8.1), and include chipping (with a pneu-

matic or hand chisel), grinding, arc gouging, and flame gouging. Within reasonable composition limits, chipping, grinding, and arc gouging may be used regardless of the temperature of the casting. Flame gouging usually requires that the casting be preheated to avoid the formation of checks or cracks in the surface of the casting.

All traces of a defect must be removed from a casting prior to repair welding. Defect removal is sometimes difficult with deep cracks, since the operation of removal may "smear" metal across the crack, obscuring it. In such cases, magnetic-particle or dye-penetrant examination, or deep acid etching, are needed to determine whether the defect has been removed completely. Where possible, the sides of the prepared surface should taper toward the bottom of the groove, and all changes in contour should be made gradually.

Sometimes, two or more discontinuities may be



**Fig. 8-6.** The two cast halves of this structural unit are being joined by submerged-arc welding. Although weld-joining of cast-steel parts simplifies complex castings by eliminating design provisions for bolt-joining, most of the welding on castings is for repair of defects and blemishes.

located so close together that one is not detected during inspection. After the known defects are removed, the repair weld may penetrate through the sound metal between the defects to expose the undetected defect. When this occurs, welding should be stopped until the entire defective area can be removed.

When defects extend entirely through a casting, the recommended practice is to turn the casting over and lay one or more sealing passes from the root side of the repair weld. If this cannot be done, a backing should be used wherever possible. Backings can be made from refractory materials such as firebrick, silica brick, mullite brick, or magnesite. The backings must be thoroughly dry, since water vapor can cause underbead cracking. Metals, such as copper, carbon steels, or stainless steel may also be used as backing material.

## EFFECTS OF WELDING

**Quench Hardness.** The rapid cooling of the high-temperature zone of the base metal next to the weld quench-hardens that zone. Just as in conventional heat treating, the maximum hardness in the heat-affected zone depends primarily on the carbon content of the casting. The maximum hardness may be increased somewhat by other elements, but the primary effect of these elements is to prevent the transformation of austenite at high temperatures and thus promote deeper and more complete hardening.

It was once thought that underbead cracking was directly related to hardness, because underbead cracking was always found in zones of high hardness. It has since been shown that factors other than hardness can produce underbead cracking. When free from cracks, the principal drawback of a hardened heat-affected zone is that it makes machining difficult. Also, this zone may have low notch toughness.

Fortunately, most castings with welds are, at least, stress-relieved after welding. This eliminates detrimental hardness in the heat-affected zone.

**Thermal Stresses:** The rapid heating and cooling of the weld may produce high thermal stresses. At times, these stresses are of no concern and are virtually eliminated by heat treatments ordinarily given castings after welding. But these stresses sometimes are high enough to cause hot cracks or permanent distortion, or they may propagate cold cracks.

**Hot Cracking:** Hot cracking occurs while the heat-affected base metal or the solidified weld metal

is still at such high temperature that it cannot withstand even relatively low internal stresses. If stress is developed while the metal is in this weak condition, the casting tears instead of deforming as it would at a slightly lower temperature.

Hot cracks are more likely to occur in the weld metal than in the base metal. One reason for this is that the weld metal is hotter than the base metal and cools last. Also, because of directional freezing, weld metal has columnar grains. Most theories propose that hot cracks are initiated at temperatures above the solidus temperature of the lowest melting phase present in the alloy — that is, when the lowest melting phase is partially molten. However, metallurgists do not completely agree on the mechanism of hot cracking.

**Cold Cracking:** The term “cold cracking,” referring to cracking occurring at temperatures well below the critical temperature, has until recently been applied exclusively to underbead cracking of the base metal in the heat-affected zone. This type of cracking is discussed in Section 6.1. Welds in steel castings are generally not subject to cold cracking if they are properly preheated.

**Porosity:** Another problem sometimes encountered in welding castings is weld-metal porosity. Porosity can be minimized by slowing down the freezing of the molten weld metal. This allows the gases coming out of solution to escape to the surface of the weld metal. Where severe porosity is found, the weld should be chipped out and the groove rewelded.

## THE WELDING OPERATION

**Preheat:** The best way to minimize possible difficulties from cold cracking, hot cracking, permanent deformation, and porosity is to slow the heating and cooling rates of the weld metal and weld heat-affected zone. This is done by selecting suitable preheating temperatures, interpass temperatures, and postwelding heat treatments.

Two types of preheat are used — a general preheat, in which the entire casting is heated, usually in a furnace; or a local preheat where only a section around the weld is heated, usually by a gas torch or electric-resistance heater. General preheat is preferred, since it minimizes local stresses.

Steels low in carbon and alloy contents do not tend to quench-harden excessively, nor are they prone to cold-crack. They require either no preheat, or require much less preheat than needed for a high-carbon, high-alloy casting. This fact also applies to

the deposited weld metal, particularly in multipass welds. In general, carbon and low-alloy castings with carbon contents below 0.30% do not require preheat except on thick sections.

For castings with carbon contents between 0.30 and 0.50%, preheats of 200 to 400°F should be used. The higher side of this range should be used with the higher carbon and alloy contents and for thick sections and complex castings. In some cases, where both the carbon and alloy contents are high, preheats over 400°F may be necessary.

Thick castings have greater heat-absorbing capacities, and, therefore, in effect, greater quenching powers. As a rule, the thicker the casting, the higher the preheat should be. Simple shapes with fairly uniform cross sections cool uniformly, and require minimum preheat. Complex castings consisting of alternating thin and thick sections cool more rapidly in the thin sections, and this differential cooling may lead to severe internal stresses. In such cases, a higher preheat should be used than for a more uniform shape. Also, such castings should be protected from drafts during welding and should be cooled more slowly than less complex castings of the same composition. Simple calculators for determining preheats are available (see Section 3.3).

Another factor influencing the selection of a preheating temperature is the size of the defect in relation to the thickness of the casting. A small weld cools more rapidly than a large one. Thus, tack welding on a crack-sensitive steel can be a dangerous procedure. Many casting failures have resulted from cracks started from a tack weld made without preheat.

**Interpass Temperature:** The interpass temperature — the temperature between passes in multipass welds — should be considered along with preheat. To maintain the desirable conditions developed by preheat, the interpass temperature should never be below the preheat temperature. The interpass temperature can safely exceed the preheat temperature by 100 to 200°F, depending on the particular casting. The interpass temperature should not be allowed to go so high that the side walls of the weld groove are severely undercut.

With large castings, the welding heat may not be high enough to maintain the preheat temperature between passes. In this case, additional heat is supplied by reheating the entire casting or locally heating the weld area.

**Peening:** Distortion is sometimes minimized by peening the weld. Heavy peening after each pass reduces distortion by spreading the weld metal, thus

counterbalancing its natural shrinkage. However, peening must be carefully controlled, because over-peening may cause weld-metal cracking. The permissible amount of peening depends somewhat on the mass of the casting, heavier peening forces being required for heavier castings. Peening should always be done while the weld metal is hot.

**Postwelding Heat Treatment:** Most castings can be cooled to room temperature in still air after welding, but those of high alloy content — which are more sensitive to cracking — should be cooled gradually from the welding temperature to give greater assurance against cold cracking. Cooling may be sufficiently delayed by heating with a flame or by burying the casting in some insulating material. However, inasmuch as crack-sensitive steels require preheating as well as slow cooling, one of the best practices is to put the casting back in the preheating furnace as soon as it is welded.

All welded castings, except some of the low-carbon unalloyed steels, should be given a postweld heat treatment. The minimum treatment should be a stress relief, which consists of heating to 1100 to 1250°F. Such a treatment removes practically all residual stresses and helps prevent subsequent cold cracking. But, most important, the heat treatment reduces the hardness of the heat-affected zone to the point where machining or chipping present no problem.

Many castings are given their regular final heat treatment, such as normalizing, or quenching and tempering, after welding. Either of these treatments eliminates stresses in the heat-affected zone and makes stress-relieving unnecessary. Though normalizing or quenching and tempering generally improve the base metal, these operations may reduce the weld-metal properties if proper electrodes are not chosen for the welding operation.

**Electrode Selection:** Use only a process and an electrode that produces a low-hydrogen deposit. In choosing an electrode, the welding supervisor must know whether there are requirements for specific mechanical properties or for a specific chemical composition in the weld, and he must know whether there is to be a postweld heat treatment.

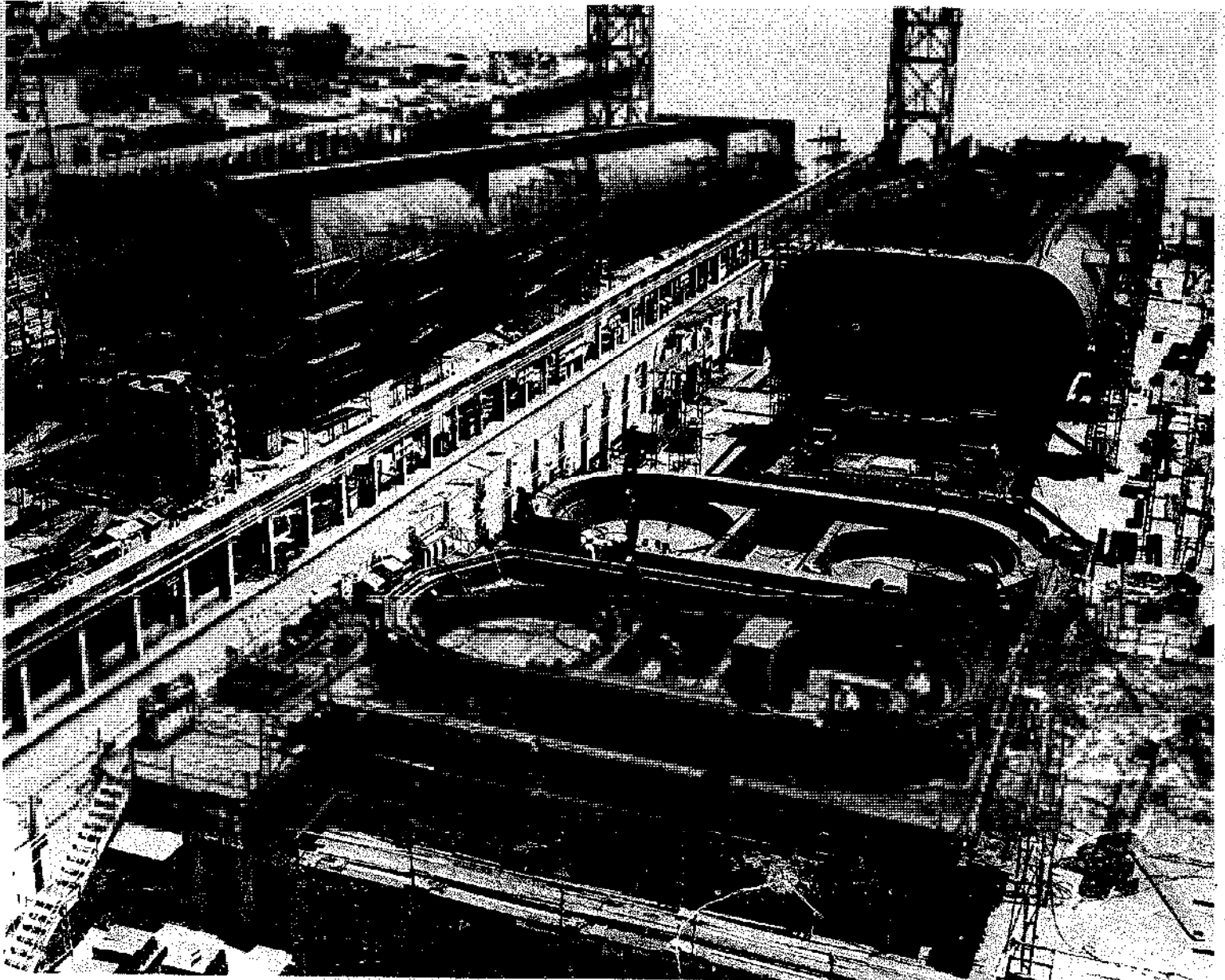
If mechanical properties only are important and the casting is to receive no postweld heat treatment, for stick welding select a low-hydrogen electrode from Table 4-5. Refer to Table 4-2 for the low-hydrogen types.

If mechanical properties only are important and the casting is to be stress-relieved (postheated to 1250°F or less), for stick welding select a low-

hydrogen electrode from Table 4-8. This table is for stress-relieved weld properties. Refer to Table 4-2 for the low-hydrogen types. In selecting an electrode for welding processes other than manual shielded metal-arc, refer to the appropriate table in Section 6 or consult a supplier of electrodes. Also consult the supplier if the casting is to be normalized, fully

annealed, or quenched and tempered.

If a specific chemical composition must be provided in the weld, an appropriate electrode may be selected from the AWS specifications. However, not all chemical compositions existing in castings are available as electrodes.



Welded subassemblies for the San Francisco-Oakland Transbay Tube.

# WELDING ALUMINUM AND ALUMINUM ALLOYS

## SECTION 9.1

### WELDABILITY OF ALUMINUM AND ALUMINUM ALLOYS

	Page
Alloy Types . . . . .	9.1-1
Heat Effects of Welding . . . . .	9.1-1
Hot Cracking . . . . .	9.1-1
Filler Metals for Welding Aluminum Alloys . . . . .	9.1-2
Surface Preparation for Welding . . . . .	9.1-5
Need for Cleaning . . . . .	9.1-5
Examples of Cleaning Procedures . . . . .	9.1-6

## SECTION 9.2

### WELDING ALUMINUM AND ALUMINUM ALLOYS WITH THE SHIELDED METAL-ARC PROCESS

Electrode Selection . . . . .	9.2-1
Preheating . . . . .	9.2-1
Welding Techniques . . . . .	9.2-2

## SECTION 9.3

### WELDING ALUMINUM AND ALUMINUM ALLOYS WITH THE GAS METAL-ARC PROCESS

Process and Equipment . . . . .	9.3-1
Maintaining MIG Weld Quality . . . . .	9.3-1
Inert Gases for MIG Welding . . . . .	9.3-6
Procedures for MIG Welding . . . . .	9.3-7

## SECTION 9.4

### WELDING ALUMINUM AND ALUMINUM ALLOYS WITH THE GAS TUNGSTEN-ARC PROCESS

TIG Welding Arcs . . . . .	9.4-1
Alternating-Current TIG Welding . . . . .	9.4-3
Direct-Current Straight-Polarity TIG Welding . . . . .	9.4-9
Direct-Current, Reverse-Polarity TIG Welding . . . . .	9.4-11



# Weldability of Aluminum and Aluminum Alloys\*

The introduction of new aluminum alloys and new welding processes has enhanced the use of aluminum in welded structures. Among these alloys is the heat-treatable 7000-series, in which zinc is the major alloying element, with magnesium the other principal addition. Outstanding in this group is 7075, one of the strongest aluminum alloys available, used principally in airframe structures and highly stressed parts. Though not easily welded by MIG or TIG processes, it responds well to electrical resistance welding.

Alloy 7039 is somewhat less strong, but is readily welded by any of the fusion processes. In the T61 temper, this alloy, in thicknesses of 3/16 in. and over, is suitable for welded pressure vessels for use at  $-200^{\circ}$  to  $-300^{\circ}\text{F}$  under ASME Boiler and Pressure Vessel Code, Section VIII, Unfired Pressure Vessels. Alloy 7039 is also used for armor plate under MIL Spec. A-46063. Weldments using 7039 filler develop 48,000-psi tensile and 30,000-psi yield strengths after 15 to 30 days of aging at room temperature. Formability and corrosion resistance are excellent. Though harder to extrude than 6061 alloy, 7039 is more easily extruded than 2014. Alloy 7005, an extrudable AlMnZn alloy in the Series, also has good weldability.

Although alloys of this family could possibly find application in many types of weldments and welded structures, there was insufficient service experience with them at the time of publication to permit authoritative recommendations on alloy selection. It is suggested that the designer discuss potential applications with one of the major aluminum suppliers before decision is made on their use.

The aluminum-magnesium-manganese alloys — the 5000 series — are also widely used for welded structures, particularly where corrosion is a problem, as in marine applications. Weld ductility of these alloys is excellent, and they are well suited for applications subjected to impact and shock loading. The 5000-series alloys generally regress slowly to the zero temper when subjected to weld heat.

Heat-treatable alloys 6061 and 6063 also are widely used for welded structures. Their as-welded

yield strengths are good, and 6063 is so easily extruded that it is a prime candidate for shapes for general architectural use.

The two welding processes mostly used for aluminum are MIG (gas metal-arc) and TIG (gas tungsten-arc). Both are recommended for most aluminum alloys: generally, TIG for thicknesses to 1/8 in., and MIG for heavier material, although this is not a hard and fast rule.

## HEAT EFFECTS OF WELDING

Welding heat adversely affects weld-zone mechanical properties of all aluminum alloys. Strength of the weld area is less than that of the unaffected base metal. Although welds in sections that are in the annealed condition do not change the temper, the cast-structure of the weld metal usually has lower strength than the base metal. However, upgrading the weld metal with a suitable filler alloy, increasing the welding speed, and bead reinforcement usually strengthen the welded joint.

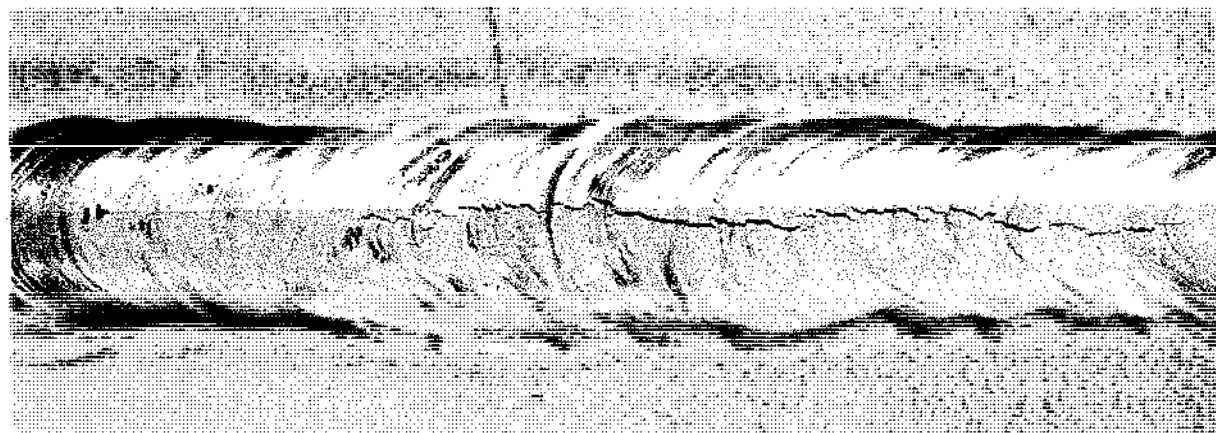
Some heat-treatable alloys in the T6 temper (solution heat-treated, then artificially aged) are used in welded structural applications, where it is customary to proportion members on the basis of yield strength. The minimum tensile and compressive yield strength of 6061-T6 alloy sheet and plate in the weld-heat zone adjacent to a butt weld is 20,000 psi with 5356 or 5556 filler alloy. This compares favorably with weld-heat-zone yield strengths of other high-strength aluminum alloys.

### Hot Cracking of Weld Metal

Hot cracking is caused by stresses induced by metal contraction as the weld pool cools. Cracking of this type usually develops in the weld metal itself, but a similar type of cracking sometimes occurs in the heat-affected zone adjacent to the weld.

Cracking of welds during arc-welding operations can also be caused by a hot-short characteristic of some resultant weld compositions, as illustrated in Fig. 9-1. Hot-short compositions are weak at elevated temperatures. Hot cracking is a function of

\*Section 9 extracted from "Welding Kaiser, Aluminum" with permission from Kaiser Aluminum & Chemical Sales, Inc.



**Fig. 9-1.** Hot-short crack in aluminum weld metal.

contraction stress, and of the hot-short tendency of the alloy. Hot cracking can also be caused by restraint of the joint during welding. Hot cracking does not normally occur in pure aluminum or in deposits of a eutectic composition.

Other factors that affect the amount of hot cracking that occurs in the weld include the solidification temperature range of the alloy, the coefficient of expansion, the thermal gradient, the ratio of the volume of liquid remaining to the volume of solidified material, and the amount of restraint across the weld joint.

Hot-short cracking can be reduced by several methods:

**Use Higher Welding Speed.** As welding speed is increased, the heat input in the weld zone is decreased. Thus, the stresses created by temperature differentials between the hot and room-temperature metal are less severe. Also, at high welding speeds shorter lengths of weld are within the hot-short range at any one time, and the already solidified metal takes a portion of the load that would otherwise be imposed upon the hot-short weld metal. The same effect is also advantageous in welding aluminum alloys that are not hot-short. In addition, the faster cooling rate that occurs with higher welding speeds results in a finer dendritic structure, which is less susceptible to cracking.

**Use Preheat.** Preheating reduces the stress on the solidifying weld metal by reducing the temperature gradient across the weld zone and by permitting faster joining rates. Preheating should not be used, however, unless the joint is unrestrained. The mechanical properties of the parent alloy are decreased by excessive preheating, except where the material is already in the annealed condition. This is particularly true of heat-treatable alloys such as 6061.

**Changing the Joint Design.** The chemical composition of an aluminum alloy affects its hot-short

characteristics. The chemical composition of the weld metal is the product of a mixture of the base alloy and the filler metal, and this mixture may be highly susceptible to hot-short cracking. To reduce this susceptibility, the joint design can be changed to either increase or decrease the amount of parent alloy in the final weld metal.

Selection of the proper joint design usually requires that sample weldments be prepared to evaluate crack susceptibility in cases where data on comparable welds are not available.

**Select A More Compatible Filler Alloy.** A filler alloy that will minimize hot-short cracking is one that, when dilution is considered, will give a resultant weld composition having an individual alloy content above or below known hot-short ranges. A proper aluminum filler selection or recommendation, using hot-short cracking tendency as a criterion, requires consideration of the relative cracking tendencies of various weld-metal compositions. For example, in binary alloys of aluminum, maximum cracking occurs in these composition ranges:

Alloying Element	Amount (%)
Silicon	0.5 to 1.2
Copper	2.0 to 4.0
Manganese	1.5 to 2.5
Magnesium	2.0 to 5.0
Zinc	4.0 to 5.0
Iron	1.0 to 1.5

### FILLER METALS FOR WELDING ALUMINUM ALLOYS

The metal produced in the weld pool is a combination of metals that must have the strength, ductility, freedom from cracking, and the corrosion resistance required by the application. Correct choice of a filler alloy minimizes the presence of

intermetallic compounds and brittleness in aluminum fusion welds.

**Strength:** Some filler metals commonly used for inert-gas welding, arranged in decreasing order of as-welded strength, reading left to right, are:

5039, 5556, 5183, 5356, 5654, 5554, 4043, and 1100.

This order of strength is generally true for these fillers when used to weld any alloy of the 5000, 3000, or 1100 series. This sequence does not necessarily apply to some combinations of dissimilar alloys or to assemblies subjected to postweld heat treatment.

**Ductility:** An arrangement of the same filler metals in decreasing order of ductility is almost the reverse of the arrangement by strength:

1100, 4043, 5654, 5356, 5183, 5554, 5556, and 5039.

Up to 50% elongation can be expected with 1100 filler, whereas 15% to 20% is normal for 5183 or 5356 filler. Ductility of the weld is often affected by dilution of the filler metal with the base material. For example, 4043 can vary from 5 to 17% elongation, depending on the type and quantity of alloy with which it is diluted. Table 9-1 lists recom-

**TABLE 9-1. RECOMMENDED FILLER METALS FOR VARIOUS ALUMINUM ALLOYS**

Base Metal	Recommended Filler Metal <sup>1</sup>	
	For Maximum As-Welded Strength	For Maximum Elongation
EC	1100	EC, 1260
1100	1100, 4043	1100, 4043
2219	2319	(2)
3003	5183, 5356	1100, 4043
3004	5554, 5356	5183, 4043
5005	5183, 4043, 5356	5183, 4043
5050	5356	5183, 4043
5052	5356, 5183	5183, 4043, 5356
5083	5183, 5356	5183, 5356
5086	5183, 5356	5183, 5356
5154	5356, 5183	5183, 5356, 5654
5357	5554, 5356	5356
5454	5356, 5554	5554, 5356
5456	5556	5183, 5356
6061	4043, 5183	5356 <sup>3</sup>
6063	4043, 5183	5356 <sup>3</sup>
7005	5039	5183, 5356
7039	5039	5183, 5356

**Notes:**

1. Recommendations are for plate of "0" temper.
2. Ductility of weldments of these base metals is not appreciably affected by filler metal. Elongation of these base metals is generally lower than that of other alloys listed.
3. For welded joints in 6061 and 6063 requiring maximum electrical conductivity, use 4043 filler metal. However, if both strength and conductivity are required, use 5356 filler metal and increase the weld reinforcement to compensate for the lower conductivity of 5356.

mended filler metals for various aluminum alloys, both for maximum strength and for maximum elongation. Table 9-2 contains more complete information on selecting filler metals for the general-purpose welding of aluminum.

**Availability of Filler Wire:** A relatively small number of filler alloys can be used to weld a wide range of aluminum alloys. Certain filler alloys — 5356 or 5183 for example — can be used for practically all aluminum fusion-welding applications.

Filler wire of alloys EC, 1100, 4043, 5039, 5654, 5356, 5183, 5554, and 5556 is available on 1 or 12-1/2-lb spools for use with the MIG and automatic TIG processes. Wire of 0.030, 3/64, 1/16, 3/32, and 1/8-in. diameters is readily available. For certain alloys, welding wire of 3/16, 7/32, and 1/4-in. is also available. Wire of alloys other than these is available upon request.

Straight lengths of bare aluminum wire in EC, 1100, 4043, 5039, 5654, 5183, 5356, and 5556 alloys are available in diameters of 1/16, 3/32, 1/8, 5/32, 3/16, and 1/4-in. This bare rod stock is used primarily for TIG welding.

Maximum rate of deposition is obtained with filler wire or rod of the largest practical diameter while welding at the maximum practical welding current. Wire diameter best suited for a specific application depends upon the current that can be used to make the weld. The current, in turn, is governed by the available power supply, joint design, alloy type and thickness, and the welding position. For detailed information on filler sizes, refer to the discussions on TIG and MIG welding.

**Quality of Weld Deposit:** Good weld quality is obtained only if the filler wire is clean and of high quality. If the wire is not clean, a large amount of contaminant may be introduced into the weld pool, particularly in MIG welding, because of the relatively large surface area of the filler wire with respect to the amount of weld metal being deposited.

Contaminants on the filler wire are most often an oil or a hydrated oxide. The heat of welding releases the hydrogen from these sources, causing porosity in the weld. High-quality aluminum welding wire is manufactured under rigorous control to exacting standards and is packaged to prevent contamination during storage. Since filler wire is alloyed, or diluted, with base metal in the weld pool, the compositions of both the filler wire and the base metal affect the quality of the weld.

**Care of Filler Wire and Rod:** The best quality welds are obtained by using welding wire as soon as

TABLE 9-2. GUIDE TO THE CHOICE OF FILLER METAL FOR GENERAL-PURPOSE WELDING

Base Metal	519, 333 564, 355 C-355	13, 43, 344 356, A, 356 A-357, 359	214, A214 B214, F214	7039 A812, C812 D812, 7005 k	6061, 6063 6101, 6151 6201, 6951	5456	5454	6184 5284 a	5086	5083	5087 5657 a	5006 5050	2014 2024	1100 3003 Alc 3003	1060 EC
1060 EC	ER4043 e, j	ER4043 i	ER4043 e, j	ER4043 i	ER4043 i	ER5356 c	ER4043 e, j	ER4043 e, j	ER5356 c	ER5356 c	ER4043 e, j	ER4043 e, j	ER4043 e, j	ER1100 c	ER1230 e, j
1100, 3003 Alc'd 3003	ER4145 e, i	ER4043 f	ER4043 e, j	ER4043 i	ER4043 i	ER5356 c	ER4043 e, j	ER4043 e, j	ER5356 c	ER5356 c	ER4043 e, j	ER4043 e, j	ER4145	ER1100 c	
2014, 2024	ER4145 g	ER4145	ER4145	ER4043 i	ER4145	ER5356 c	ER4043 e, j	ER4043 e, j	ER5356 c	ER5356 c	ER4043 e, j	ER4043 e, j	ER4145	ER1100 c	
3004	ER4043 i	ER4043 i	ER4043 i	ER4043 i	ER4043 i	ER5356 c	ER4043 e, j	ER4043 e, j	ER5356 c	ER5356 c	ER4043 e, j	ER4043 e, j	ER4145	ER1100 c	
Alc'd 3004	ER4043 i	ER4043 i	ER4043 i	ER4043 i	ER4043 i	ER5356 c	ER4043 e, j	ER4043 e, j	ER5356 c	ER5356 c	ER4043 e, j	ER4043 e, j	ER4145	ER1100 c	
5005, 5050	ER4043 i	ER4043 i	ER4043 i	ER4043 i	ER4043 i	ER5356 c	ER4043 e, j	ER4043 e, j	ER5356 c	ER5356 c	ER4043 e, j	ER4043 e, j	ER4145	ER1100 c	
5052, 5052 b	ER4043 i	ER4043 i	ER4043 i	ER4043 i	ER4043 i	ER5356 c	ER4043 e, j	ER4043 e, j	ER5356 c	ER5356 c	ER4043 e, j	ER4043 e, j	ER4145	ER1100 c	
5083	ER4043 i	ER4043 i	ER4043 i	ER4043 i	ER4043 i	ER5356 c	ER4043 e, j	ER4043 e, j	ER5356 c	ER5356 c	ER4043 e, j	ER4043 e, j	ER4145	ER1100 c	
5085	ER4043 i	ER4043 i	ER4043 i	ER4043 i	ER4043 i	ER5356 c	ER4043 e, j	ER4043 e, j	ER5356 c	ER5356 c	ER4043 e, j	ER4043 e, j	ER4145	ER1100 c	
5154, 5284 a	ER4043 i	ER4043 i	ER4043 i	ER4043 i	ER4043 i	ER5356 c	ER4043 e, j	ER4043 e, j	ER5356 c	ER5356 c	ER4043 e, j	ER4043 e, j	ER4145	ER1100 c	
5454	ER4043 i	ER4043 i	ER4043 i	ER4043 i	ER4043 i	ER5356 c	ER4043 e, j	ER4043 e, j	ER5356 c	ER5356 c	ER4043 e, j	ER4043 e, j	ER4145	ER1100 c	
5456	ER4043 i	ER4043 i	ER4043 i	ER4043 i	ER4043 i	ER5356 c	ER4043 e, j	ER4043 e, j	ER5356 c	ER5356 c	ER4043 e, j	ER4043 e, j	ER4145	ER1100 c	
6061, 6063, 6101 (201, 6151, 6951)	ER4145 e, i	ER4043 f	ER4043 e, j	ER4043 i	ER4043 i	ER5356 c	ER4043 e, j	ER4043 e, j	ER5356 c	ER5356 c	ER4043 e, j	ER4043 e, j	ER4145	ER1100 c	
6070	ER4145 e, i	ER4043 f	ER4043 e, j	ER4043 i	ER4043 i	ER5356 c	ER4043 e, j	ER4043 e, j	ER5356 c	ER5356 c	ER4043 e, j	ER4043 e, j	ER4145	ER1100 c	
7039	ER4043 i	ER4043 i	ER4043 i	ER4043 i	ER4043 i	ER5356 c	ER4043 e, j	ER4043 e, j	ER5356 c	ER5356 c	ER4043 e, j	ER4043 e, j	ER4145	ER1100 c	
A812, C812 D812, 7005 k	ER4043 i	ER4043 i	ER4043 i	ER4043 i	ER4043 i	ER5356 c	ER4043 e, j	ER4043 e, j	ER5356 c	ER5356 c	ER4043 e, j	ER4043 e, j	ER4145	ER1100 c	
214, A214 B214, F214	ER4043 i	ER4043 i	ER4043 i	ER4043 i	ER4043 i	ER5356 c	ER4043 e, j	ER4043 e, j	ER5356 c	ER5356 c	ER4043 e, j	ER4043 e, j	ER4145	ER1100 c	
13, 43, 344 356, A, 356 A-357, 359	ER4145 e, i	ER4043 f	ER4043 e, j	ER4043 i	ER4043 i	ER5356 c	ER4043 e, j	ER4043 e, j	ER5356 c	ER5356 c	ER4043 e, j	ER4043 e, j	ER4145	ER1100 c	
319, 323 364, 355, CJS5	ER4145 e, i	ER4043 f	ER4043 e, j	ER4043 i	ER4043 i	ER5356 c	ER4043 e, j	ER4043 e, j	ER5356 c	ER5356 c	ER4043 e, j	ER4043 e, j	ER4145	ER1100 c	

Notes:

- Service conditions such as immersion in fresh or salt water, exposure to specific chemicals, or a sustained high temperature (over 150°F) may limit the choice of filler metals.
- Recommendations in this table apply to gas shielded-arc welding processes. For gas welding, only R1100, R1260, and R4043 filler metals are ordinarily used.
- Filler metals designated with ER prefix are listed in AWS specification A5.10.
  - a Base metal alloys 5652 and 5254 are used for hydrogen peroxide service. ER5654 filler metal is used for welding both alloys for low-temperature service (150°F and below).
  - b ER5183, ER5356, ER5554, ER5556, and ER5654 may be used, in some cases they provide: (1) improved color match after anodizing treatment, (2) highest weld ductility.

and (3) higher weld strength. ER5654 is suitable for elevated temperature service.

- c ER4043 may be used for some applications.
  - d Filler metal with the same analysis as the base metal is sometimes used.
  - e ER5183, ER5356, or ER5556 may be used.
  - f ER4145 may be used for some applications.
  - g ER2319 may be used for some applications.
  - h ER5039 may be used for some applications.
  - i ER4047 may be used for some applications.
  - j ER1100 may be used for some applications.
  - k This refers to 7005 extrusions only.
4. Where no filler metal is listed, the base metal combination is not recommended for welding.

possible after it is removed from the package. Even a high-quality wire can produce welds of inferior quality if the wire surface is contaminated by oil, dust, or other foreign material. Consequently, spools of wire should be protected by a cover during use. Components of a wire-drive system (drive rolls, guides, and liners) can also contaminate the wire if they are not clean. Welding wire packages with desiccant in plastic bags should remain unopened until the wire is to be used.

When maximum weld quality is essential or the cost of repairing welds is prohibitive, questionable spools should be pretested before use in fabrication. Several test methods may be used, all of which involve making a sample weld that is checked by radiography or by examination of the weld fracture. A triple-pass horizontal fillet weld is the simplest for evaluation. A radiograph from a multipass flat-position butt weld is a valid check, provided that at least three passes are used. Such a test may save costly repair cutouts, particularly in welds that require radiographic inspection.

## SURFACE PREPARATION FOR WELDING

Aluminum sheet and plate that is to be welded should be carefully stored and handled. Clean, dry

storage is preferred. If outdoor storage is necessary, the plate should be covered or stored on edge with interspacing to prevent staining. Aluminum should not be primed or painted before welding.

### Need for Cleaning

Pieces to be welded are usually formed, sheared, sawed, or machined prior to the welding operation. Complete removal of all lubricants from these operations is a prerequisite for high-quality welds. Particular care must be taken to remove all oil, other hydrocarbons, and loose particles from sawed or sheared edges prior to welding. Sheared edges should be clean and smooth, not ragged. For ease of cleaning, lubricants used in fabrication should be promptly removed.

To reduce the possibility of porosity and dross in welds, cleanliness of the welding surfaces cannot be overemphasized. Hydrogen can cause porosity, and oxygen can cause dross in welds. Oxides, greases, and oil films contain oxygen and hydrogen that, if left on the edges to be welded, will cause unsound welds with poor mechanical and electrical properties. Cleaning should be done just prior to welding. A summary of general cleaning procedures is given in Table 9-3.

Oil or grease films are usually removed chemically by dipping, spraying, or wiping the aluminum

TABLE 9-3. COMMON METHODS FOR CLEANING ALUMINUM SURFACES FOR WELDING

Compounds Removed	Type of Cleaning	
	Welding Surfaces Only	Complete Piece
Oil, grease, moisture, and dust (Use any method listed.)	Wipe with mild alkaline solution. Wipe with hydrocarbon solvent, such as acetone or alcohol. Wipe with proprietary solvents. Dip edges, using any of above.	Vapor degrease. Spray degrease. Steam degrease. Immerse in alkaline solvent. Immerse in proprietary solvents.
Oxides (Use any method listed.)	Dip edges in strong alkaline solution, then water, then nitric acid. Finish with water rinse.  Wipe with proprietary deoxidizers.  Remove mechanically, such as by wire-brushing, filing, or grinding. For critical applications, scrape all joint and adjacent surfaces immediately prior to welding, using no lubricant. Remove about one mil of metal.	Immerse in strong alkaline solution, then water, then nitric acid. Finish with water rinse. Immerse in proprietary solutions.

sheet or plate with a solvent. Mildly alkaline solutions and commercial degreasers that do not emit toxic fumes during welding may be used.

All welding surfaces should be dried before welding. Cloth or absorbent paper is usually effective. Drying with compressed dry air is often used in difficult-to-reach areas. Some cleaning solutions — especially those containing alcohol or acetone — evaporate much faster than others.

Aluminum and its alloys rapidly develop a self-limiting oxide surface film upon exposure to air. The melting point of this oxide is above 3600°F, or about 2400°F above the melting point of pure aluminum. This oxide film can prevent fusion between the filler metal and base plate, or flakes of oxide or dross may become entrapped within the weld metal, reducing the ductility of the weld.

It is usually necessary to remove surface oxides mechanically just prior to welding. Chemically deoxidized parts may also require mechanical removal of oxide if more than a day has elapsed since deoxidation was performed. Welding should be done as soon as practical after oxide removal or cleaning operations, usually within 24 hours when resistance welding. When fusion welding, two or three days may be allowed to elapse after oxide removal, providing the joint area is wire-brushed immediately before welding. Excessively black or dirty-appearing inert gas welds may be an indication of excessive plate oxide.

Wire brushing, scraping, filing, and grinding are common mechanical cleaning methods used on aluminum plates. In wire brushing, stainless-steel bristles are preferred, but are not mandatory. The main disadvantage of using carbon-steel brushes is that iron deposits left by the bristles may rust if moisture is present. Large amounts of iron oxide may result in weld-metal inclusions. Carbon-steel brushes are satisfactory if they are grease-free, and both they and the work are kept dry. A moisture film that would rule out the use of carbon-steel brushes would also require recleaning the aluminum plate.

### Examples of Cleaning Procedures

**Example 1:** Local cleaning of plate for inert-gas welding. Wipe all welding surfaces with rags dipped in acetone to remove oil and grease. Wipe surfaces dry with clean rags. Keep solvent-wet rags and solutions in closed containers to reduce fire hazard.

Wire-brush welding surfaces to remove the oxide. Power-driven stainless-steel wire brushes are preferable. Other mechanical methods of oxide

removal may be substituted for wire brushing, such as filing, grinding, milling (without lubricant), rubbing with steel wool, and scraping.

**Example 2:** Local cleaning of sheet for inert-gas welding. Wipe the welding surfaces of the sheet with rags dipped in acetone or alcohol to remove grease and oil. Wipe dry with clean rags.

Scrape or file (with files designed for aluminum) edges of the sheet to remove entrapped contaminants. If high-quality welding is required, also scrape the top surface of the sheet to remove the oxide film from the area where weld metal will be deposited.

**Example 3:** Over-all cleaning of sheet or plate for inert-gas (or spot) welding. The sheet or plate is passed through a spray tunnel. Travel rate is determined by the final cleanliness required.

The tunnel is divided into four zones. In the first zone, grease is removed by spraying the plate with a 160°F water solution containing a compound such as Oakite 161, in the proportion of 1 oz/gal for this particular proprietary preparation. In the second zone, the plate is rinsed with a water spray at room temperature. In the third zone, the oxide film is chemically removed by spraying the plate with a water solution at room temperature containing 0.5 oz/gal of Oakite 34. In the fourth zone, the plate is again rinsed with fresh water at room temperature. An oil-free dry-air blast dries the metal after it comes from the tunnel.

The chemical solutions are periodically checked for strength. Fresh solution is added as required. The solutions are periodically discarded and new batches made up. Intervals for checking solution strength and replacing solutions depend upon the quantity of material being cleaned.

**Example 4:** Over-all cleaning of sheet and plate for inert-gas welding. When the sheet or plate is very oily, it should be degreased in a tank of acetone, alcohol, or in a suitable alkaline solution.

If the material is only slightly oily, the following procedure is recommended. Dip the plate into a tank of 5% alkaline solution (0.45 lb of sodium hydroxide per gallon of water) at 160°F for 20 to 60 sec. Next, rinse in a tank of fresh, cold water. Follow by dipping the plate into a tank of concentrated nitric acid at room temperature for 30 sec. Rinse again in the cold-water tank and follow with a hot-water rinse. Dry the plate in an oil-free air blast.

This cleaning method is satisfactory for most aluminum welding, but not for electrical-resistance spot welding because the degree of cleanliness is not sufficiently reproducible.

# Welding Aluminum and Aluminum Alloys with the Shielded Metal-Arc Process

Aluminum can be welded by the shielded metal-arc (stick-electrode) process, using a conventional DC motor generator, or a rectifier power supply such as that used for the stick-electrode welding of steel. An aluminum electrode, flux-covered and held in a standard holder, is used with a direct-current, reverse-polarity (DCRP) circuit. The aluminum electrode is the positive pole.

The repetitive quality of shielded metal-arc welds in aluminum is today generally considered below that required for ASME code application. In the United States, stick-electrode welding of aluminum is confined principally to small shops that have only occasional welding jobs and do not wish to invest in inert-gas welding equipment.

Important factors to be considered in the metal-arc welding of aluminum are moisture, preheating, flux, and the cleanliness of electrode and work. Presence of moisture in the electrode covering is a major cause of weld porosity. Dry, clean storage facilities for electrodes are necessary for producing sound welds. Preheating of the work is necessary, especially in the heavier gages. The flux that covers the electrode is very tenacious, and considerable operator skill is required to keep from entrapping it in the weld. Thoroughness in postweld removal of flux is also important.

Although metal-arc welded joints are as strong as oxyacetylene welded joints, it is difficult in metal-arc welding aluminum to obtain liquid-tight or gas-tight welds in material lighter than 1/4-in. thick. Soundness and surface smoothness are not as good as obtained with the gas-shielded arc-welding methods.

One difficulty encountered in metal-arc welding, caused by interruption of the arc, is the formation of a fused flux coating over the end of the electrode. Re-establishing a satisfactory arc is impossible until this formation is removed, usually by striking the rod against the work or other surface.

Square butt joints for metal-arc welding in aluminum can be used on plates up to 3/16 in. thick. No edge preparation other than a relatively smooth, square cut is required. Material of heavier

gage, should be beveled 60° to 90° in a single V. Depending upon the gage of the base metal, land thicknesses range between 1/16 and 1/4 in. A root opening of 1/32 to 1/16 in. is desirable.

## ELECTRODE SELECTION

The two types of covered electrodes for metal-arc welding of aluminum, covered by AWS Specification A5.3 and generally available from stock, are the 1100 and 4043 alloys. However, any aluminum alloy available in wire form may be obtained with a flux covering upon special order.

Alloy 1100 is a commercially pure aluminum (99% aluminum), giving a weld deposit with a minimum tensile strength of 12,000 psi. Alloy 4043, which is suitable for most general-purpose work, contains approximately 95% aluminum and 5% silicon and has a weld strength of 14,000 psi. In applications requiring resistance to corrosion, electrodes should be selected with compositions as close as possible to those of the base metal.

Most porous weld structures are caused by moisture in the electrode covering. To minimize this condition, the electrodes are supplied in moisture-proof packages. The electrodes should be stored in a dry location. Deterioration of the flux covering can be rapid when electrodes are exposed to moist air. The entire covering can be affected in only a few hours of exposure to a humid atmosphere.

Because of the necessity for coverings to be completely dry, it is advisable to bake all "doubtful" electrodes, or those taken from previously opened packages, at 350° to 400°F for an hour before welding. After baking, they should be stored in a heated cabinet until used. An old refrigerator or a similar, tightly sealed cabinet having shelves and fitted with a 100-watt light bulb, makes a convenient and economical storage chest.

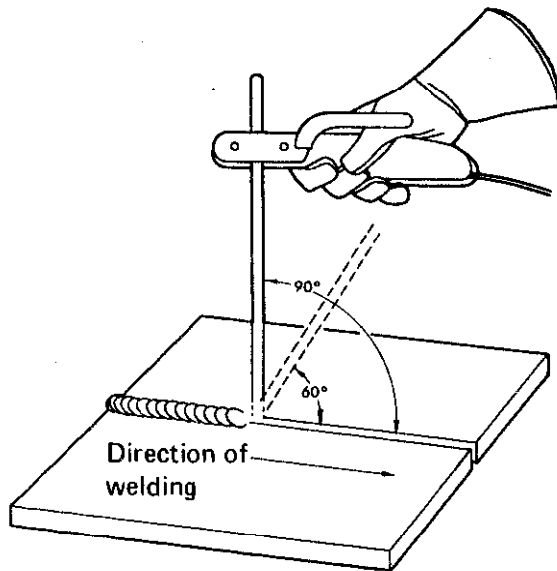
## PREHEATING

Preheating of aluminum members to 400°F is desirable prior to welding and is necessary in weld-

ing plate. This helps maintain the weld puddle and results in a more stable arc. Preheating may be done by torch, using oxyacetylene or other suitable gas, or by electrical resistance, using a tungsten electrode, silver-soldered to the top side of the contact jaw of an electrode holder. Current is adjusted to produce the desired temperature when the tungsten contact and ground clamp are connected to the work. This method is not practical for large workpieces.

## WELDING TECHNIQUES

The method of striking the arc in stick-electrode welding of aluminum differs from that used for steel. Because both the aluminum electrode and base metal melt and resolidify almost immediately as welding progresses, electrode sticking can be a problem. This can be avoided if the arc is struck by moving the electrode over the surface of the base metal, using a brushing motion.



**Fig. 9-2.** After the arc is started (vertical position), the electrode can be slanted  $20^{\circ}$  to  $30^{\circ}$  in the direction of travel. Excessive slant can cause spatter and porosity.

Initially, the electrode should be held in a nearly vertical position, as shown in Fig. 9-2. After the arc has been established, a  $20^{\circ}$  to  $30^{\circ}$  forward slant can be used (electrode pointed toward the completed bead). Too much slant causes excessive spatter and porosity. The electrode is moved along the seam at an even speed to produce a uniform bead. Care should be taken in electrode manipulation to “float out” the flux in the molten metal as welding progresses. In-and-out whipping of electrode should

**TABLE 9-4. RECOMMENDED WELDING CURRENTS FOR DCRP METAL-ARC WELDING OF ALUMINUM**

Electrode Diam (in.)	Welding Current (amp)*
1/8	80 – 120
5/32	100 – 150
3/16	125 – 200

\* With base metal preheated to  $300 - 400^{\circ}\text{F}$ .

be avoided; steady, side-to-side weaving or steady progression is recommended.

Typical welding currents and corresponding electrode diameters for DCRP metal-arc welding of aluminum are shown in Table 9-4.

The most desirable arc is a short one —  $1/8$  to  $3/16$ -in. — because of its greater stability; a long arc may spatter excessively and is more difficult to maintain.

**Cleaning:** One-pass welding should be used whenever possible. When multiple passes are required, thorough cleaning between passes is essential for optimum results. After the completion of any welding, the bead and work should be thoroughly cleaned of flux. Most of the flux can be removed by mechanical means, such as a rotary wire brush, slag hammer, or peening hammer, and the rest by steaming or by a hot-water rinse. To test for complete flux removal, swab a solution of 5% silver nitrate on weld areas; foaming will occur if flux is present.

**Positions:** Welding in the flat position is recommended whenever possible. Fillet welds in a horizontal plane are best made by positioning the work to be welded about  $20^{\circ}$  downhill. Where overhead welding is necessary, it should be done with a series of stringer beads. Lap and fillet welds can be produced with the angle between the electrode and the horizontal at about  $45^{\circ}$ .

**Jigs, Backup Plates, Tacking:** Jigs and backup plates are especially useful in welding the thinner materials. Need for jigs, however, is not as critical in metal-arc welding as in oxyacetylene welding aluminum, largely because of the smaller area heated by the arc, which causes less distortion. Generally, the use of a backup is advisable in butt-welding aluminum by the metal-arc method to obtain complete penetration while avoiding burning holes or dripping metal from the underside. Asbestos, graphite, copper, or steel may be used. To allow space for the flux and bead, the backup strip is provided with a half-oval groove about  $1/2$ -in. wide and  $1/8$ -in. deep, which is placed directly beneath the joint.



# Welding Aluminum and Aluminum Alloys

## with the Gas Metal-Arc Process

Most fusion welding of aluminum alloys is done with the inert-gas metal-arc (MIG) process. Weld properties generally are at least equal those of the base metal at zero temper. Welding speeds are higher than those obtainable with any other arc or gas process. Heat-affected zones are narrower than those with oxyacetylene or covered-electrode arc welding. A DC (reverse-polarity) electric arc, established in an envelope of inert gas between a consumable electrode and the workpiece, is used for welding aluminum by the MIG process.

MIG and another inert-gas, shielded-arc process, gas tungsten-arc (TIG), are the principal methods for welding aluminum. The two processes are similar in that an inert gas is used to shield the arc and the weld pool, making flux unnecessary. The chief differences are in the electrodes and the characteristics of the power used.

In MIG welding, the electrode is aluminum filler fed continuously from a reel into the weld pool. TIG welding uses a nonconsumable tungsten electrode, with aluminum-alloy filler material added separately, either from a hand-held rod or from a reel.

The equipment required for MIG welding consists of a drive system that pulls the electrode from a reel and pushes it through the welding gun. In the gun, it becomes energized by passing through a contact tube connected to the power supply. While simple in principle, accurate controls are required to initiate and stop the shielding gas, cooling water, and electrode and to operate the contactor in the welding circuit.

The MIG process is used for either semiautomatic or automatic welding. It is referred to as "semiautomatic" when the gun is operated manually. Once the gun is started and the arc struck, the welding conditions are automatically controlled (on constant-voltage equipment, particularly) by the machine settings. This leaves the operator free to concentrate on placement of the weld bead.

With a direct-current, reverse-polarity (DCRP) arc, used for MIG welding aluminum, the electrode is positive, the work negative. Both the consumable

filler metal and weld zone of the workpiece are melted.

With argon shielding, the DCRP arc also breaks up the surface oxide on the base metal ahead of the weld pool. This cleaning action is believed to be caused by the electrons leaving the base plate or the inert-gas ions striking the plate, or a combination of the two phenomena.

The DCRP action propels the filler metal across the arc to the workpiece in line with the axis of the electrode, regardless of the orientation of the electrode. Because of this and aluminum's density, surface tension, and cooling rate, horizontal, vertical, and overhead welds are made with relative ease. High deposition rates are practical, producing less distortion, greater weld strength, and lower welding costs for a given job than other fusion-welding processes.

The efficient use of energy, characteristic of the MIG process, makes preheating of aluminum workpieces unnecessary in most cases. Consequently, the process is widely accepted for welding heavy sections of aluminum. MIG welding is also applicable to joining sheet thicknesses of aluminum at high speeds. It is practical to MIG-weld aluminum as thin as 0.062 in. in regular production.

### MAINTAINING MIG WELD QUALITY

While a limited amount of porosity and dross can be tolerated in some welded joints, ductility, fatigue strength, and tensile strength are adversely affected by porosity, and weld metal — just as base metal — should be sound in all respects.

The main cause of porosity in aluminum welds is entrapped gas in the weld puddle. Porosity occurs when metal freezes before the gas has a chance to escape. Gases may originate from contaminants in the shielding gas, from air and water, from contaminants that get into the puddle from dirty base or filler metal, from too long an arc, or as a result of violent arc action. The amount of gas that remains in the weld pool is a function of the cooling rate of

the weld puddle. Various causes of porosity and some corrective measures are listed in Table 9-5.

**Entrapment:** Shielding gas, air, or gaseous contaminants can be entrapped in the weld puddle as a result of the violent arc action. Weld porosity is similar to the air bubbles that are entrapped in a rapidly frozen ice cube.

Turbulence in a weld pool is related to droplet transfer. If too low a welding current is used, so that large globules of metal transfer across the arc, more turbulent puddle reaction occurs than if small, well-formed droplets transfer in a fine-spray pattern.

Excessive welding currents can entrain gas by depositing metal over a gas bubble in the weld pool. Such metal freezes before the entire bubble has escaped. This type of porosity is generally irregular in shape.

**Hydrogen:** In addition to air entrapment, the generation of hydrogen from contaminants in the weld is another cause of gas porosity in aluminum. Molten aluminum has a high affinity for atomic hydrogen (see Fig. 9-3). On the other hand, solid aluminum can contain very little hydrogen. Therefore, hydrogen gas is emitted as the weld puddle freezes. If the cooling rate of the weld puddle is too

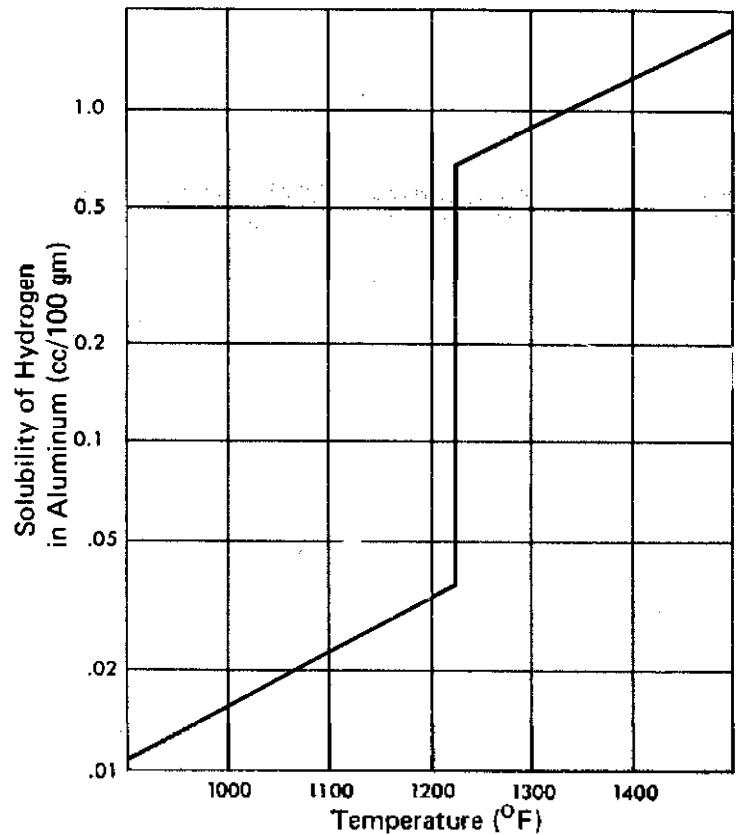


Fig. 9-3. Solubility of hydrogen in aluminum at various temperatures.

TABLE 9-5. CAUSES AND CURES FOR POROSITY IN MIG WELDS

Cause	Contributing Factors	Corrective Measures
Gas entrapment	Turbulence of weld pool. Excessive current entrains gas.	Use adequate welding current to stabilize droplet transfer, but avoid excessive current. Reduce travel speed.
Hydrogen	Oil or other contaminants on electrode. Hydrated oxide film on electrode. Oily drive rolls or liner in MIG gun. Wet shielding gas. Water leaks in MIG gun. Oily work-piece. Spatter particles ahead of puddle.	Change to clean, high-quality electrode. Keep electrode supply covered. Do not open desiccated plastic packaging until ready to use. Do not use electrode that has been kept for any length of time outside of desiccated storage. Clean rolls with solvent; change liner. Check dewpoint of gas; reject bottles above minus 40°F dewpoint. Repair guns that have been overheated due to water failure. Clean plate. Adjust welding conditions to minimize spatter.
Rapid cooling rate of weld pool	Low rate of heat input into the weld. Too rapid a rate of heat extraction from the weld. Low temperature of backup bar, if used. Groove configuration of backup bar.	Use higher welding current or a slower speed. Preheat sometimes helps. Hot backup bars reduce root porosity. Shallow, wide grooves are better than deep, narrow grooves in backup bars.
Erratic wire feeding	Drive-roll slip. Excessive bending of guide liner. Bent contact tube puts kink in electrode. Galling in contact tube. Electronic "hunting." Wrong size liner.	Increase pressure on rolls, change to knurled roll; change to V-groove roll rather than U-groove. Change position of MIG unit to reduce necessity of bending cable to gun. Replace thyatron tube or bias (balance) battery.
Other	Partial-penetration joint. Multiple-pass welds.	Use full-penetration joint. Increase fillet size to compensate for line of root porosity in critical applications. Use high-current-density, single-pass-per-side technique.

fast, the gas cannot rise to the surface, but remains within the metal, causing porosity.

Any compound containing hydrogen and contaminating the filler wire or work surface can be the source of hydrogen gas. For example, if a film of drawing compound (containing hydrocarbons) or hydrated aluminum oxide remains on the filler wire, extreme porosity will occur in the welds made with that wire.

Other possible sources of hydrogen-forming contaminants include the base material and the shielding gas. A bottle of wet gas will cause contaminated welds, as will moisture leaks in the welding torch or hose line. Gas having a dewpoint higher than minus 40°F is unsuitable for MIG welding of aluminum.

Poor welds can also result from using electrode that has been stored under humid conditions, where atmospheric moisture can combine chemically or be absorbed by the aluminum oxide film.

**Cooling System:** Before welding, the MIG torch should be checked in regard to the following points:

Are all O-rings seated properly?

Are all fittings drawn up tight?

Are all solder joints tight?

(Torches that have been overheated may have developed leaks in soldered joints.)

Are all ceramic parts in good condition?

(Broken or distorted ceramics should be replaced.)

Is the gas hose clean and in good condition?

(Do not use leaky or deteriorated hose. Do not use hose that previously has carried water, or liquids or gases containing compounds such as hydrocarbons, which will cause weld porosity. A vinyl or other suitable plastic hose is recommended.)

Most MIG equipment can be adjusted for either "continuous" or "weld-only" cooling-water flow. In humid weather, water flow should not be continuous. Water vapor from the atmosphere may condense on the gas cup and internal parts of the gun if the cold water flows during idle periods. When welding is resumed, the water condensate will vaporize and be carried to the weld area by the shielding gas, causing weld porosity. Therefore, particularly in humid weather, cooling-water flow should be stopped when welding is stopped. Residual heat in the gun will keep the gas cup and other critical parts warm, preventing condensation.

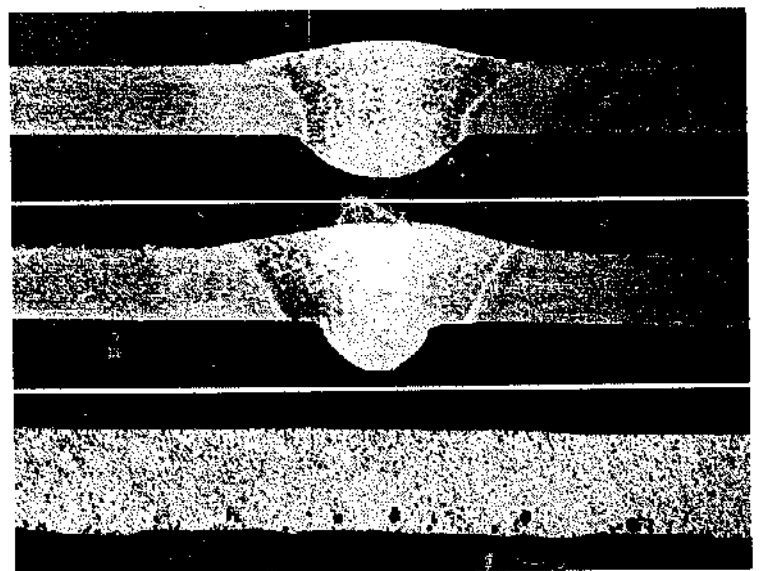
**Cooling Rate of Weld Pool:** The amount of gas remaining in the weld pool is a function of how fast

the weld pool solidifies. If most of the gas has time to escape before the molten metal solidifies, the weld will have minimal porosity and be of generally good radiographic quality. The length of time that the aluminum weld pool is molten is determined by the heat input into the weld, the rate of heat extraction from the weld, the freezing range (solidification temperature) of the alloy, and the temperature and mass of the surrounding material. The temperature and groove configuration of the backup bar (if used) also affect the rate of heat loss.

To retard the cooling rate of the weld puddle, the heat input generally must be increased, since the factors affecting heat loss are usually fixed. This can be done by increasing the current, decreasing the travel speed, or both. Changes in either of these must always be regulated, however, within operating limits conducive to proper bead deposition and contour and to the thickness limitations of the base material.

Use of higher arc voltage also increases the heat input. Helium may be added to argon in amounts greater than 10% to increase arc voltage and reduce porosity.

The rate of heat extracted from the weld is generally high, due to the high thermal conductivity of aluminum. Obviously, heavier or large sections can contain more than thinner sections. Thus, heavy or large sections act as better heat sinks than light sections and extract or conduct heat from the weld faster than thin materials.



**Fig. 9-4.** Effects of backup-bar groove configuration on porosity in welds in aluminum sheet. The wide, shallow groove (top) minimizes porosity because it produces a large mass of metal at the root. The deep, narrow groove (center) promotes root porosity. The lower specimen shows root porosity in a MIG weld, resulting from a narrow backup-bar groove. Magnification, 3X.

When welding speed is reduced to retard the cooling rate, the effect is to allow more heat to be lost to the heat sink, thus warming the assembly being welded. Consideration must be given to the fact that such heating may decrease the mechanical properties in the metal outside the weld zone, which, itself, is annealed by the arc.

Weld metal cools from the outer edges toward the center of the weld nugget. One frequent condition is that in which a wide weld bead, having a thin edge at its width extremities, has a line of porosity at the edges due to the faster freezing of the thin section of weld metal in those areas. This shows as line porosity in a radiograph and generally is associated with multiple-pass welding.

Root porosity, which is similar to fusion-line porosity, occurs particularly in welds made on a backup bar having an unsuitable groove configuration. A deep, narrow groove in a backup bar is conducive to root porosity, whereas a wide, shallow groove tends to minimize porosity, because of the larger mass of weld metal at the root (see Fig. 9-4). Preheating of the backup bar has been found to reduce further the tendency to form root porosity.

**Electrode Feeding:** Erratic electrode feeding can cause porosity in weld metal, due to increased turbulence of the weld pool. Erratic feeding can be caused by a number of things. The electrode may slip in the drive rolls because of insufficient pressure, excessive bending in the electrode transport tube, excessive bending in the guide tube of the gun, or excessive bending of the cable between the drive unit and the welding gun. Kinks in the electrode will jam in the gun and cause a burn-back. If the kinks manage to feed through, they usually produce a momentary slowing of the electrode. Improperly

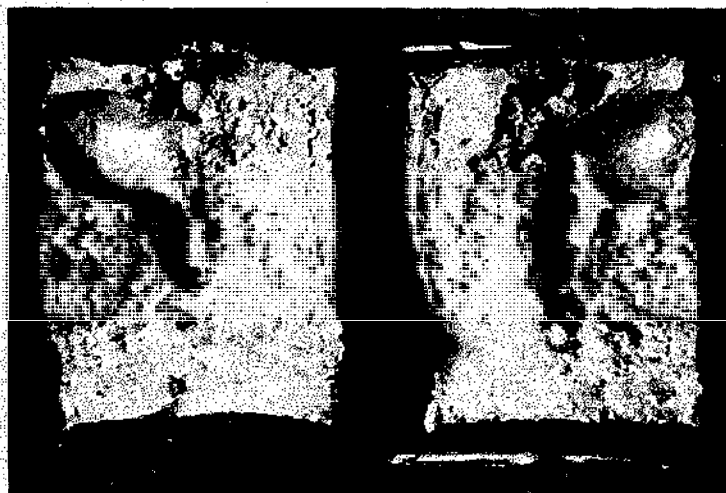


Fig. 9-5. Fractured surface of a tensile test bar showing "worm hole" porosity in a MIG weld, caused by spongy cast base metal.

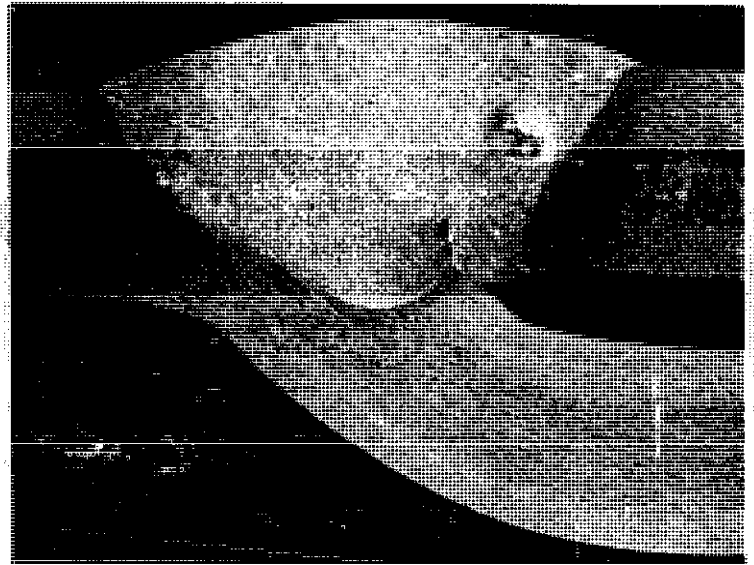


Fig. 9-6. A MIG weld in aluminum sheet showing porosity caused by lamination.

wound spools with crossovers or edge-bound strands also cause erratic wire feeding.

Aluminum electrode can seize and gall inside the contact tube, causing an erratic or stitching arc action. Replacing the contact tube corrects the situation.

**Quality of Base Material:** Weld porosity is also dependent on the quality of the base material, particularly in castings. The presence of large pores in cast base material can cause an elongated type of porosity in the weld, as shown in Fig. 9-5. In the case illustrated, a "boiler effect" occurred where the weld metal heated a volume of gas from the pore in the base material. The gas expanded along a channel in the molten metal to form a long tube, until the diminishing gas pressure was equalized by the weight of the weld metal. A similar effect can occur when the base metal sheet is laminated, as shown in Fig. 9-6.

Welding partial-penetration joints (as in making a welded lap joint) can also cause a boiler effect, as shown by the radiograph in Fig. 9-7. In this case, the source of gas was the line at the root, where sufficient pressure was built up from the heat of welding (on the second side to be welded) to cause porosity to form in the molten metal.

**Multiple-Pass Welding:** Porosity is more prevalent in multiple-pass welds than in single-pass welds. Thus, in welds where porosity exists, top passes in heavy plate have been observed generally to contain more porosity than root passes. Wherever practical, welds with a minimum number of passes should be used. With high current-density techniques, MIG butt welding with a single pass per side can be done in aluminum plate as thick as 1-1/4 in.

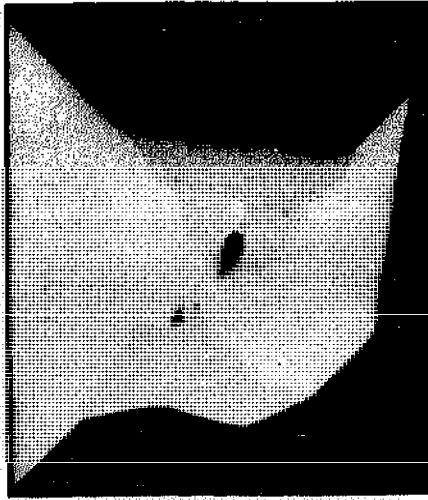


Fig. 9-7. Radiograph showing root porosity in a transverse wafer cut from a lap weld.

**Effect of Porosity on Properties:** Just what effect does weld porosity have on the properties of aluminum welds? As shown in Fig. 9-8, some porosity can be tolerated in a weld before mechanical properties are reduced, but tensile properties are reduced appreciably when the amount of porosity is high. Data shown are for MIG weldments in 5083 plate; different porosity levels were obtained by contaminant additions to the welding arc. Data are not available on the effect of porosity on fatigue properties of weld metal.

**Dross in MIG Welds:** Most dross consists of broken particles of aluminum oxide or aluminum nitride films, which can be scattered throughout the weld bead. The presence of oxygen in the shielding gas or on the surface of the solidifying weld pool causes dross. Dross has the appearance of pepper on the fractured metal surface.

Dross also may be present as a film in "cold shut" areas, where the arc length was too long, producing temperatures too low to fuse the weld bead into the underlying metal. Dross, unlike gas porosity, has a markedly adverse effect upon the mechanical properties of aluminum welds.

**Shielding:** Oxygen may enter the weld pool from several sources. The primary cause of oxygen entry from the atmosphere is poor shielding. Drafts in the welding area can cause a momentary loss of shielding, allowing air to contaminate the surface of the molten metal. Also, if the gas flow is too low, inadequate shielding of the weld pool results. Entrained air entering the contact tube may also cause dross to form. Use of too small a gas cup for wire diameter, current, and size of puddle can result in inefficient shielding, thus allowing excessive air to get to the weld puddle.

**Electrode Surface:** Just as it can be a source of porosity-causing hydrogen, the electrode can also be a source of dross-causing oxygen. If an electrode has more than a minimal oxide coating, it is a potential source of oxygen and is unsuitable for MIG welding of aluminum. Oxygen may also be present in the form of hydrocarbons on the electrode, particularly if the spools of filler metal have been exposed to the shop atmosphere without protective covers. Unused spools should be kept in their packages, partly used spools on welding machines should be covered between jobs.

**Base Metal and Weld Oxide:** Welding over base metal surfaces that have not been deoxidized or properly wire-brushed prior to welding can result in

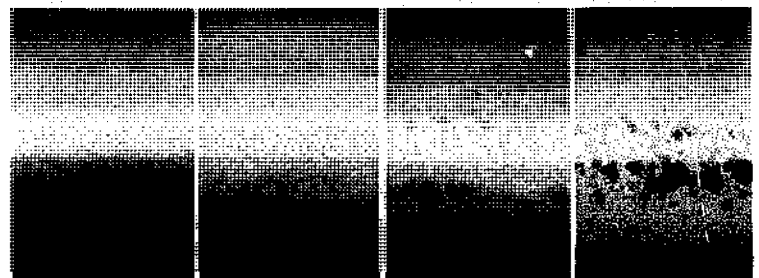
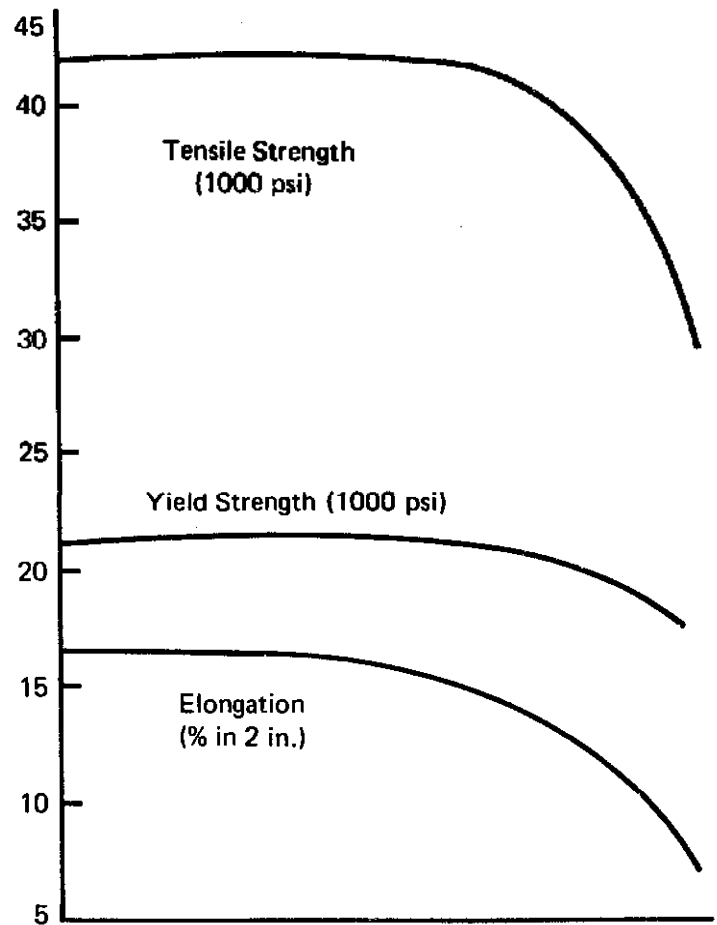


Fig. 9-8. Effect of porosity on MIG weld properties of 5083 plate, welded with 5356 filler.

TABLE 9-6. CAUSES AND CURES FOR DROSS IN MIG WELDS

Cause	Contributing Factors	Corrective Measures
Poor shielding	Drafts, causing loss of shielding. Gas flow too low. Entrained air in contact tube. Gas cup too small.	Provide protection against drafts in welding area. Increase shielding-gas flow rate. Pressurize contact tube with shielding gas. Use a larger gas cup.
Contaminated electrode surface	Oxygen from excessive oxide or from hydrocarbon contaminant.	Use electrode with clean surface and minimum oxide film. Protect electrode in shop with plastic covers.
Contaminated base-metal surface	Heavy oxide film. Spatter particles.	Wire-brush or chemically remove oxide. Adjust welding conditions so spatter does not occur ahead of puddle.
Contaminated weld	Oxide film on preceding beads. Dross on underside of root passes.	Wire-brush each bead before depositing next bead. Chip or mill underside to sound metal.

oxygen pickup, particularly with sheet material. Preceding weld beads, if not cleaned or brushed, also are a source of oxygen, as well as of hydrogen. All beads must be properly wire-brushed before subsequent beads are deposited.

The underside of root beads in joints that are to be welded from both sides should be chipped or milled to remove the dross prior to depositing weld metal on the second side. No back-chipping is required on welds made by high current-density techniques in properly prepared square butt or heavy-root-face butt joints. A summary of causes and cures for dross in MIG weld metal is given in Table 9-6.

### INERT GASES FOR MIG WELDING

The inert gas has three primary functions. First, it provides a controlled ionized path, which aids in the smooth transfer of current. Second, it surrounds the arc and weld pool with an atmosphere that is nonreactive with molten aluminum. Third, it has a cleaning action, which partially removes aluminum oxide from the plate during DCRP welding. (Only argon shielding produces such cleaning action in DCRP welding, however.) It is not known whether this cleaning action is a result of gas ions striking the surface, or electrons leaving the base plate, or a combination of each.

In addition to the inert gases commonly used — argon and helium — neon or krypton could probably be used with the MIG process for shielding purposes. However, argon and helium are the gases generally used because they are more readily available and less expensive.

**Shielding Efficiency:** Any disturbance of the inert gas shield around the arc and the weld pool

reduces its shielding efficiency. If insufficient gas is used or if the flow of gas is disturbed, poor quality welding will result. Such disturbances may be caused by improper gas flow, drafts, erratic arcs, gas stoppage, or turbulence due to spatter in the nozzle.

The flow of inert gas necessary for good-quality MIG welding depends upon a number of factors, including type of gas used, welding current, diameter of gun nozzle, joint design, welding position, speed of welding, torch lead angle, and the

TABLE 9-7. FACTORS THAT AFFECT FLOW RATE OF SHIELDING GAS IN MIG WELDING

Factor or Condition	Higher Flow Required	Lower Flow Required
Draft: No draft Increasing draft	X	X
Gas: Argon Helium	X	X
Torch lead angle: 10° Lead 0° 10° Lag (not recom.)	X	X
Welding current: High Low	X	X
Diameter of nozzle: Large Small	X	X
Joint design: Flat surface In a groove or fillet	X	X
Welding speed: Fast Slow	X	X
Position Flat, overhead Vertical, horizontal	X	X

**TABLE 9-8. SUGGESTED FLOW RATES FOR MIG WELDING OF ALUMINUM BUTT JOINTS IN VARIOUS POSITIONS**

Position	Shielding Gas Flow (cfh)		
	Argon	Helium	75% He, 25% A
Flat	50 <sup>1</sup> - 70 <sup>2</sup>	70 - 90	60 - 80
Horizontal	50 - 70	70 - 90	60 - 80
Vertical	50 - 70	70 - 90	60 - 80
Overhead	70 - 90	80 - 100	70 - 90

Values are for 1/32 to 1/16-in. electrode size and 5/8 or 3/4-in. cup size.

1. With 0.030-in. and 3/64-in. electrode flow can be reduced by 25% under normal conditions.
2. Highest flow rates indicated apply to thicker base materials and to alloys containing greater amounts of magnesium.

amount of draft in the welding area (see Table 9-7).

Drafts can affect gas usage and weld quality considerably. It is important that the welding area be essentially draft-free. In field welding, suitable shielding with tarpaulins or other types of wind-breaks should be provided to prevent air currents from interfering with the gas shield.

Overhead welding usually requires higher gas flow rates than flat-position welding, regardless of gas used. As a basis for determining correct gas flow for a given welding job, the gas flow rates in Table 9-8 are suggested as starting points. Lower gas flows can frequently be used. The correct flow for any job is determined by gradually reducing the flow rate used in making sample weldments until the weld quality is adversely affected. The gas flow should then be increased to provide a safety margin.

Only high-purity, dry inert gas ("welding grade" gas) should be used in MIG welding. Impure or wet gas will degrade weld quality.

**Argon Shielding:** Argon is preferred for flat, vertical, and horizontal-position manual MIG welding by most operators, because argon produces a more stable arc than helium. Less argon is required than helium for shielding in MIG welding because its density is greater (argon, 1.4; helium, 0.14; air, 1.0).

Argon is produced by fractionating air and is readily available. Argon is sold in compressed gas form in a variety of cylinder sizes. Where large volumes are consumed, liquid argon installations may be economical.

**Helium Shielding:** At any given (DCRP) arc length, a helium-shielded arc has a higher voltage than an argon arc. This results in a deeper penetration with helium, which, in turn, can be used to increase welding speed. However, the arc is slightly more erratic in helium than in argon, and, since

helium shielding provides no cleaning action, the resultant weld bead appearance is usually inferior.

Helium is usually preferred for welding very heavy material because it provides deeper weld penetration. The lightness of helium makes it preferable for overhead welding. The high welding speeds obtainable with a helium arc make it attractive for automatic welding, where arc length can be controlled precisely. Helium, however, produces more spatter and requires more frequent nozzle cleaning than does argon — deterrent to the use of helium in certain automatic MIG operations.

**Argon-Helium Mixtures:** Mixtures of argon and helium are used to obtain advantages not obtained with either gas alone. Blends of 75% helium and 25% argon are commercially available. Other ratios can be mixed by combining flows from separate tanks of helium and argon. Helium additions of over 10% to argon change the arc characteristics markedly. With increasing helium, arc voltage, spatter, and penetration increase.

## PROCEDURES FOR MIG WELDING

Principal factors for consideration in the MIG welding of aluminum are thickness of plate, alloy, and type of equipment available. Typical procedures for conventional MIG welding of various joint designs in aluminum sheet and plate are given in Tables 9-9 through 9-13. These data are approximate and are intended to serve only as starting points. For each application, an optimum set of welding conditions can be established from these procedures.

It is considered good practice to prepare prototype weldments in advance of the actual production so that welding conditions can be determined on the prototype. It is further recommended that weldors practice beforehand under simulated production conditions. This helps avoid mistakes caused by lack of experience.

Where intermittent welding is to be used, one deviation from the regular pattern of torch travel is recommended. MIG welding of aluminum normally leaves a crater at the end of the weld, as illustrated in Fig. 9-9. This crater is prone to cracking which, in turn, could initiate fracture in the intermittent weld.

One method of avoiding this problem is to reverse the direction of welding at the end of each tack or intermittent weld, so that the crater is filled, as shown in Fig. 9-10. Other techniques for eliminating problems of cracking of the crater area are: 1.

Use run-on and run-off tabs. 2. Break the arc and restrike it to fill the crater. 3. Use special circuitry

and power source control to produce a specific rate of arc decay.

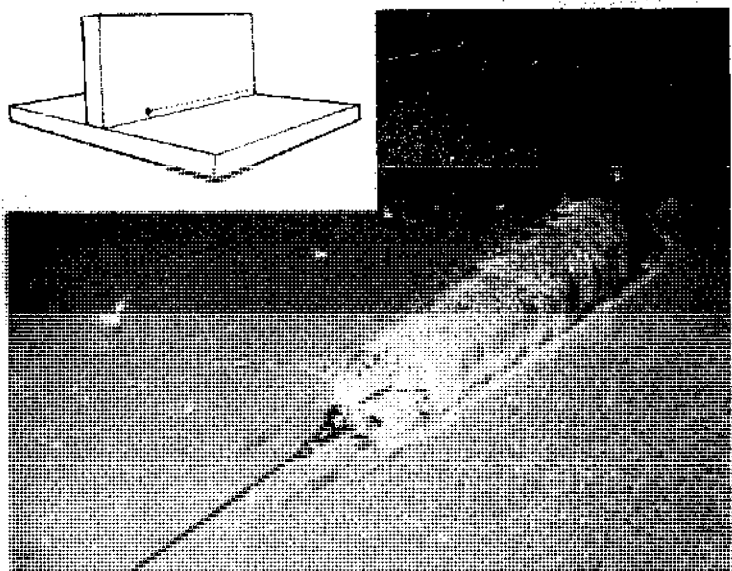


Fig. 9-9. The finish of a MIG weld in aluminum leaves a crater that is very susceptible to cracking.

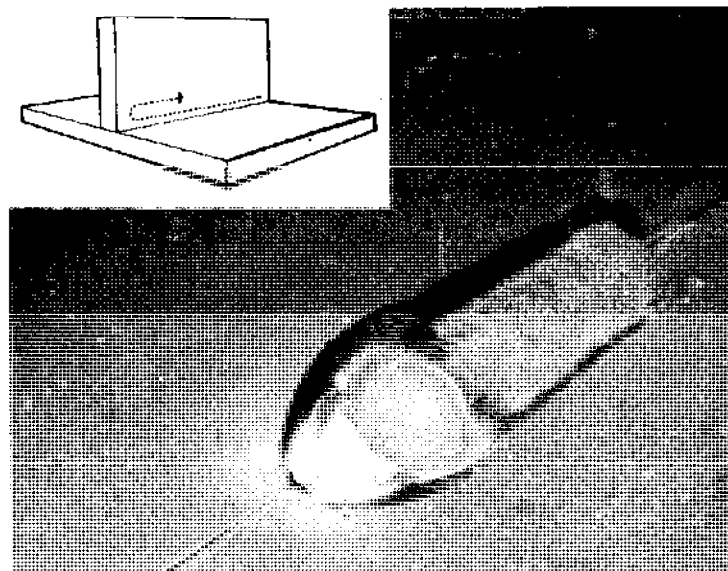


Fig. 9-10. Doubling back at the end of a MIG weld eliminates the crater and the cracking problems that usually accompany it.

TABLE 9-9. PROCEDURES FOR GAS METAL-ARC WELDING OF ALUMINUM (Semiautomatic)

Process: Gas Metal-Arc Type of Joint: Butt Plate Thickness: 1/8 - 3/4 Position: Flat Welded from: Two sides Polarity: DCRP								
Plate Thickness, T (in.)	1/8	3/16	1/4	3/8	1/2	1/2	5/8	3/4
Pass Face	1	1	1	1	1	1	1	1
Pass Back		1	1	1	1	1	1	1
Electrode Size (in.)	3/64	3/64 or 1/16	1/16	1/16	1/16	1/16	1/16	1/16
Current (amp)	90 - 120	120 - 150	180 - 220	220 - 260	240 - 280	260 - 320	260 - 320	300 - 400
Volts	19 - 21	22 - 24	27 - 29	28 - 30	28 - 30	29 - 31	29 - 31	33 - 37
Arc Speed (ipm)	30 - 34	25 - 29	20 - 24	16 - 20	14 - 18	12 - 16	10 - 14	10 - 14
Argon Gas (cfh)	30 - 40	30 - 40	30 - 40	40 - 60	40 - 60	40 - 60	60 - 80	60 - 80
Gas Cup Opening (in.)	1/2	1/2	1/2	1/2	1/2	1/2	1/2	1/2
Total Time (hr/ft. of weld)	0.00625	0.0148	0.0182	0.0222	0.0250	0.0286	0.0333	0.0333



**TABLE 9-10. PROCEDURES FOR GAS METAL-ARC WELDING OF ALUMINUM (Semiautomatic)**

Process: Gas Metal-Arc Type of Joint: Butt Plate Thickness: 1/2 - 1-1/2 Position: Flat Welded from: Two sides Polarity: DCRP								
Plate Thickness (in.)	1/2	3/4	1	1/2	3/4	1	1-1/4	1-1/2
Pass Face	4	5	7	1	2	3	3	4
Pass Back*	1	1	1	1	2	3	3	4
Electrode Size (in.)	1/16	3/32	3/32	1/16	1/16	1/16	1/16	1/16
Current (amp)	200 - 230	260 - 280	260 - 300	220 - 250	240 - 280	240 - 280	240 - 280	240 - 280
Volts	27 - 29	27 - 29	27 - 29	28 - 30	28 - 30	28 - 30	28 - 30	28 - 30
Arc Speed (ipm)	16 - 20	12 - 16	10 - 14	16 - 20	16 - 20	14 - 20	14 - 20	14 - 20
Argon Gas (cfh)	40 - 60	40 - 60	40 - 60	40 - 60	40 - 60	60 - 80	60 - 80	60 - 80
Gas Cup Opening (in.)	1/2	5/8	5/8	3/8	5/8	5/8	5/8	5/8
Total Time (hr./ft. of weld)	0.0555	0.0858	0.133	0.0222	0.0444	0.0708	0.0708	0.0944

\*Back chip before first pass on back side optional.

**TABLE 9-11. PROCEDURES FOR GAS METAL-ARC WELDING OF ALUMINUM (Semiautomatic)**

Process: Gas Metal-Arc Type of Joint: Butt Plate Thickness: 1/8 - 1 Position: Horizontal Welded from: Two sides Polarity: DCRP							
Plate Thickness (in.)	1/8	3/16	1/4	3/8	1/2	3/4	1
Pass Face	1	1	1	2	2	3	5
Pass Back*	1	1	1	2	2	3	5
Electrode Size (in.)	3/64	3/64	3/64	1/16	1/16	1/16	1/16
Current (amp)	100 - 120	120 - 140	160 - 200	180 - 200	200 - 220	220 - 260	240 - 280
Volts	19 - 22	20 - 23	26 - 28	27 - 29	27 - 29	28 - 30	28 - 30
Arc Speed (ipm)	24 - 30	24 - 30	22 - 26	24 - 30	20 - 24	20 - 24	16 - 20
Argon Gas (cfh)	30 - 40	30 - 40	30 - 40	40 - 60	40 - 60	60 - 80	60 - 80
Gas Cup Opening (in.)	1/2	1/2	1/2	1/2	5/8	5/8	5/8
Total Time (hr./ft. of weld)	0.0148	0.0148	0.0167	0.0296	0.0364	0.0545	0.111

\*Back chip before first pass on back side optional.

**TABLE 9-12. PROCEDURES FOR GAS METAL-ARC WELDING OF ALUMINUM (Semiautomatic)**

Process: Gas Metal-Arc Type of Joint: Butt Plate Thickness: 1/8 - 1 Positions: Vertical Welded from: Two sides Polarity: DCRP								
	Plate Thickness (in.)	1/8	3/16	1/4	1/4	3/8	1/2	3/4
Pass Face	1	1	1	1	1	2	4	6
Pass Back	1	1	1	1	1	2	4	6
Electrode Size (in.)	3/64	1/16	1/16	1/16	1/16	1/16	1/16	1/16
Current (amp)	90 - 120	100 - 140	140 - 190	160 - 180	180 - 200	200 - 220	220 - 240	220 - 240
Volts	19 - 22	20 - 23	26 - 28	23 - 25	27 - 29	27 - 29	28 - 30	28 - 30
Arc Speed (ipm)	30 - 36	28 - 32	24 - 30	24 - 30	20 - 24	14 - 18	12 - 16	8 - 12
Argon gas (cfh)	30 - 40	30 - 40	30 - 40	30 - 40	40 - 60	40 - 60	60 - 80	60 - 80
Gas Cup Opening (in.)	1/2	1/2	1/2	1/2	1/2	5/8	5/8	5/8
Total Time (hr/ft. of weld)	0.0121	0.0133	0.0148	0.0148	0.0182	0.0500	0.114	0.240

**TABLE 9-13. PROCEDURES FOR GAS METAL-ARC WELDING OF ALUMINUM (Semiautomatic)**

Process: Gas Metal-Arc Weld Size (in.): 1/4 - 1/2 Type of Joint: Fillet Positions: Horizontal, Vertical, and Overhead Polarity: DCRP									
	Fillet Size, L (in.)	1/4	3/8	1/2	1/4	3/8	1/2	1/4	3/8
Pass	1	1	3	1	2	3	1	2	3
Electrode Size (in.)	1/16	1/18	3/32	1/16	1/16	1/16	1/16	1/16	1/16
Current (amp)	160 - 180	200 - 230	240 - 280	160 - 180	180 - 200	180 - 220	160 - 180	180 - 200	180 - 220
Volts	24 - 28	27 - 29	26 - 28	24 - 26	27 - 29	27 - 29	23 - 25	27 - 29	27 - 29
Arc Speed (ipm)	24 - 28	20 - 24	16 - 20	16 - 20	14 - 18	12 - 16	18 - 22	18 - 22	16 - 20
Argon Gas (cfh)	30 - 40	30 - 40	40 - 60	30 - 40	40 - 60	40 - 60	40 - 60	40 - 60	60 - 80
Gas Cup Opening (in.)	1/2	1/2	5/8	1/2	1/2	5/8	1/2	1/2	5/8
Total Time (hr/ft. of weld)	0.00769	0.00909	0.0333	0.0111	0.0250	0.0429	0.0100	0.0200	0.0333

# Welding Aluminum and Aluminum Alloys with the Gas Tungsten-Arc Process

Aluminum can be welded by the tungsten inert-gas (TIG) method using direct-current straight polarity (DCSP), direct-current reverse polarity (DCRP), or alternating current (AC). Generally, DCRP is used for very thin sheet, DCSP, for relatively thick sections with mechanized torch travel and controls; and AC, for thin sheet and light plate. Typical characteristics of each process are listed in Table 9-14. TIG welding is faster than manual metal-arc welding, but slower than MIG welding.

TIG welding is accomplished with the heat of an electric arc operating between a tungsten electrode and the work in a shield of inert gas. The inert atmosphere prevents oxidation of the molten aluminum so no flux is required. The gas is usually argon

for AC and DCRP TIG, and helium for DCSP TIG welding.

In the inert atmosphere, the tungsten electrode is practically nonconsumable. Actually, it is dissipated slowly by the arc and requires occasional dressing to maintain a hemispherical tip contour. For all practical purposes, however, the tungsten electrode imparts no metal to the weld pool under normal operating conditions.

Each of the three types of power produces different arc characteristics in TIG welding (Table 9-15) and has different penetration characteristics (Fig. 9-11). Appearance of welds made by the three methods is described in Table 9-16. Suggestions for correcting conditions that cause porosity or cracking

**TABLE 9-14. CHARACTERISTICS OF THE TIG WELDING PROCESSES FOR ALUMINUM  
(AT SAME CURRENT)**

Process Characteristic	TIG Welding Process		
	AC	DC Straight Polarity (electrode -, work +)	DC Reverse Polarity (electrode +, work -)
Current	Alternate	Flows from electrode to work.	Flows from work to electrode.
Arc Heat Concentration	50% at each cycle (with balanced power source)	70% at work; 30% at electrode.	30% at work; 70% at electrode.
Effects of Heat Concentration	<ol style="list-style-type: none"> <li>1. Electrode current capacity only slightly less than for DCSP (for AC about 0.001 in.-diam for each 1.25 amp welding current).</li> <li>2. Medium penetration, greater than DCRP and somewhat less than DCSP.</li> <li>3. Midrange welding speeds (5 ipm to 30 fpm is typical range). Note: Helium increases penetration and welding speeds as compared to argon; argon gives best cleaning action with AC.</li> </ol>	<ol style="list-style-type: none"> <li>1. Higher currents with smaller electrodes.</li> <li>2. Narrow and deep penetration of arc heat into base metal.</li> <li>3. Welding speed: 5 ipm to 120 fpm is typical range.</li> </ol>	<ol style="list-style-type: none"> <li>1. Larger electrode required.</li> <li>2. Wide and shallow penetration.</li> <li>3. Much slower welding speeds than DCSP.</li> </ol>
Arc Stability	Stable (balanced AC, or AC with continuous high frequency - ACHF).	Stable	Stable
Cleaning Action of Arc and/or Gas	Good, with argon, on positive (reverse polarity) portion of cycle. (Satisfactory welds also can be made with pure helium or a mixture of argon and helium.)	None; however, satisfactory DCSP welds can be made with helium (maximum current about 600 amp; although with special techniques that help eliminate weld-pool turbulence, this current can be exceeded.) Argon is sometimes used in automatic DCSP TIG.	Continuous - excellent, with argon; DCRP has best cleaning action of the three, but penetration is poorest.
Size of Tungsten Electrode	Medium (3/32 in. at 125 amp)	Small (1/16 in. at 125 amp)	Large (1/4 in. at 125 amp)
Applications	General-purpose automatic and manual welding.	Automatic.	Thin sheet welding; also root pass in pipe.
Maximum Work Thickness	1/8 in. (full-penetration)	1/4 to 3/4 in. (full-penetration)	Very thin - below 0.050 in.

in TIG welds are given in Table 9-17.

Weldable aluminum in thin gages can be manually TIG-welded without filler metal, although cracking may occur in some of the heat-treatable alloys such as 6061-T6. With grooved joints and the addition of filler metal, aluminum plate to 1-in. thick can be efficiently welded manually with the TIG process. With DCSP automatic equipment, sections to 1-1/4 in. thick can be welded without the addition of filler metal. Thicker sections that require edge preparation are usually welded by the MIG process, because larger grooves can be filled more efficiently by MIG than TIG.

The three types of electrodes used for TIG welding are pure tungsten, thoriated tungsten, and zirconiated tungsten.

Pure tungsten electrodes are usually used for AC TIG welding. Advantages claimed for zirconiated tungsten electrodes for AC TIG welding are that

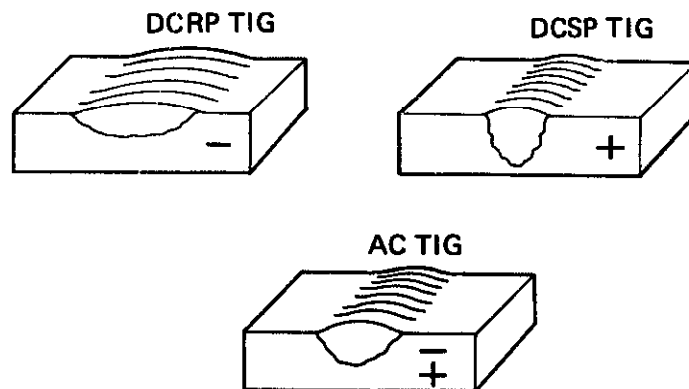


Fig. 9-11. Penetration characteristics of the three types of TIG welding processes.

they can carry slightly higher currents and have a longer life than pure tungsten electrodes of equal

TABLE 9-15. CHARACTERISTICS OF TIG WELDING ARCS

Arc Characteristic	TIG Welding Process		
	ACHF or Balanced AC	DCSP	DCRP
Arc Starting and Operation	With high frequency, arc starts without touching work. Strike on starting block; when electrode is thoroughly heated, re-ignite arc in the joint. This reduces tungsten inclusions at start of weld. Hold at starting point until weld pool is established. Add filler at leading edge of pool, but to one side of centerline.	Hot arc forms puddle immediately. Strike arc on work within weld width to avoid marking work. Runout tabs or striking plates are often desirable. Use of high frequency to strike arc is recommended.	Same as AC, but touch electrode to work.
Stability	Smooth arcing; no snapping or cracking sounds (argon).	Stable in helium.	Stable (argon).
Instability: Electrode contamination	Oxides resulting from contact of hot electrode with air or from contact with oxides or metal in weld pool cause arc instability. Dress or cut off tip or replace electrode.	Same as AC.	Same as AC.
Electrode too large	May result in unstable arc and excessive bead width. Use smallest electrode that will carry current.	Same as AC.	Same as AC.
Excessive arc length	Unstable arc results; shorten arc length.	Same as AC.	Same as AC.
Narrow joints	May cause arc to jump from side to side. Widen groove where possible or bring electrode closer to work.	—	—
Length	Maintain short arc (about equal to electrode diameter; approximately 1/8 in.). If arc is too long, root penetration will not be complete, particularly in fillet welding; possible undercutting, excessive bead width, and poor weld contour also may result.	Short, about 1/16 in.	Long, 3/16 to 1/4 in.
Breaking the arc	Gradually reduce arc length or current to minimize weld craters. Continue adding filler at the same time where applicable. Snap torch to horizontal position to break arc.	Same as AC.	Same as AC.

TABLE 9-16. APPEARANCE OF TIG WELD BEADS

Characteristic	TIG Process and Gas					
	AC		DCSP		DCRP	
	Argon	Helium	Argon	Helium	Argon	Helium
Typical Surface Appearance	Medium-width bead, medium rippling, light gray (etched) surface, shiny when brushed.	Medium-width bead, medium rippling, medium to dark gray surface, bright to dull when brushed.	Usually limited to automatic welding. Very narrow bead with finely rippled, bright appearance; smoky at edges.	Narrow bead; smoky film usually dulls surface but is easily brushed off. This is only surface oxide, not porosity, inclusions, or lack of fusion. Surface is shiny and smooth after brushing.	Wide, flat bead; shiny with slightly dull edges when brushed; very slight rippling.	Dirty beads, dull rippled surface.
Bead Faults Stitching	—	—	Very dirty surface. Bead consists of row of alternate deep holes and rough-rippled sections. Reduce current, improve arc-length control.	Turbulent-appearing, uneven bead. Same corrective measures as with argon.	—	—
Cratering	Shrink craters at end of weld bead may contain stress-raiser cracks and are also generally undesirable corrosion crevices. Craters can be eliminated by gradually reducing current, or gradually lengthening the arc, while backtracking (overlapping on circumferential welds) over weld bead.					

size. Also, zirconiated tungsten retains the balled tip well, is less susceptible to contamination by molten aluminum, and is a lesser source of tungsten contamination in the weld than is pure tungsten.

Thoriated tungsten does not produce as stable an arc with AC TIG as pure tungsten when welding aluminum. Thoriated tungsten is usually preferred for automatic TIG welding with DCSP.

### ALTERNATING-CURRENT TIG WELDING

Alternating current is preferred by many users for both manual and automatic TIG welding of aluminum. This is because AC TIG achieves an efficient balance between penetration and cleaning action, which are the chief advantages, respectively, of straight and reverse polarity direct-current TIG welding.

Depth of penetration results from the heat produced by the heavy current flow into the work during the straight-polarity portion of the AC cycle. Because cleaning action is inherent in reverse-polarity welding, any oxide film on the work is broken up during the reverse polarity portion of the AC cycle. This balance between penetration and cleaning action is particularly important in tack welding and in making the first pass of pipe welds.

AC TIG can produce excellent quality aluminum welds in all positions. The process achieves complete single-pass weld penetration in thicknesses to 1/2 in. with properly prepared joints and recommended

techniques. Particular care should be taken in TIG welding to avoid "bridging" of the molten pool at the root of the joint. Such bridging consists of a blanket of molten metal that barricades the arc at the root opening, preventing full root penetration. Full root penetration can be achieved by maintaining a short arc, assuming other conditions are normal for the job.

AC TIG is used for welding relatively thin aluminum sections. Material from 0.001 to 0.375 in. thick can be welded without filler metal and without preheat; heavier gages require preheat. Of the three types of TIG welding, DCSP is most effective at the heavy end of the thickness range, AC in the middle, and DCRP at the light end.

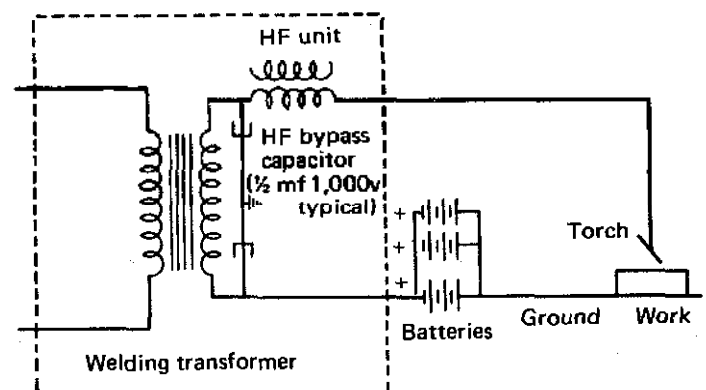


Fig. 9-12. Battery method for obtaining balanced AC power for TIG welding.

For efficient AC TIG welding, balanced power that produces a stable arc is required. It is not difficult to recognize an arc where a large amount of undesirable rectification is present. The arc will have an erratic, snapping sound, not the smooth buzzing or humming sound of a stable AC arc. In addition, the cleaning action of the arc and the wetting action of the molten weld metal are reduced if the arc is not stable.

**Power Supplies:** Alternating-current welding transformers, delivering a balanced wave and incorporating high-frequency stabilization, are designed specifically for AC TIG aluminum welding (see Section 4). This equipment is recommended for high-quality work. Power supplies intended for AC

TIG welding should be smoothly adjustable through the entire range of current required for various gages.

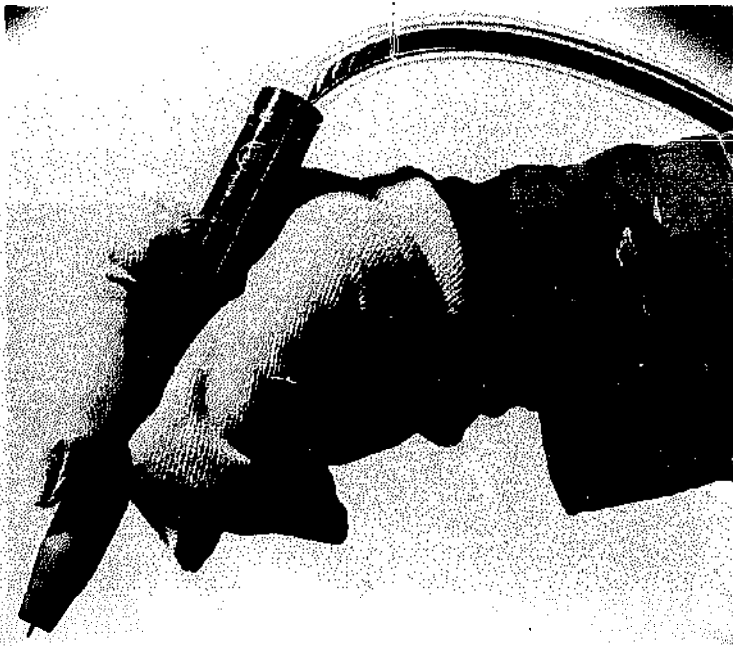
A conventional AC transformer can be adapted to serve as a power supply. One addition should be a high-frequency unit. A wave-balancing component is also desirable for certain aluminum welding work, but is not always necessary.

There are several ways to obtain balanced AC power for TIG welding aluminum. A method commonly used is to connect automobile batteries (one 6-v battery per 50 to 75 amp of welding current) in the welding circuit, as shown in Fig. 9-12.

In another system for obtaining balanced current, the output from the secondary windings of the

**TABLE 9-17. CAUSES AND CURES FOR POROSITY AND CRACKING IN TIG WELDS**

Cause	Contributing Factors	Corrective Measures
Hydrogen	Dirt containing oils or other hydrocarbons; moisture in atmosphere or on metal, or a hydrated oxide film on metal; moisture in gas or gas lines. Base metal may be source of entrapped hydrogen (the thicker the metal, the greater the possibility for hydrogen). Spatter.	Degrease and mechanically or chemically remove oxide from weld area. Avoid humidity; use dry metal or wipe dry. Reduce moisture content of gas. Check gas and water lines for leaks. Increase gas flow to compensate for increased hydrogen in thicker sections. To minimize spatter, adjust welding conditions.
Impurities	Cleaning or other compounds, especially those containing calcium.	Use recommended cleaning compounds; keep work free of contaminants.
Incomplete Root Penetration	Incomplete penetration in heavy sections increases porosity in the weld.	Preheat; use higher welding current, or redesign joint geometry.
Temperature	Running too cool tends to increase porosity due to premature solidification of molten metal.	Maintain proper current, arc-length and torch-travel speed relationship.
Welding Speed	Too great a welding speed may increase porosity.	Decrease welding speed and establish and maintain proper arc-length and current relationship.
Solidification Time	Quick freezing of weld pool entraps any gases present, causing porosity.	Establish correct welding current and speed. If work is appreciably below room temperature, use supplemental heating.
Chemical Composition of Weld Metal	Pure aluminum weld metal is more susceptible to porosity than is an aluminum alloy.	If porosity is excessive, try an alloy filler material.
Cracking	Such causes of porosity as temperature, welding time, and solidification may also be contributing causes of cracking. Other causes may be discontinuous welds, welds that intersect, repair welds, cold-working either before or after welding, and weld-metal composition. In general, crack-sensitive alloys include those containing 0.4 to 0.6% Si, or 1.5 to 3.0% Mg, or 1.0% Cu.	Lower current and faster speeds often prevent cracking. However, a change to a filler alloy that brings weld-metal composition out of cracking range is recommended where possible.



Courtesy Airco Welding Products Division

Fig. 9-13. Light-duty, pencil-type, 100-amp electrode holder for TIG welding.

transformer is fed into two half-wave rectifiers of opposite polarity. This output is then combined to give balanced-wave AC power.

When AC transformers are adapted for TIG welding aluminum, care should be taken to install the high-frequency units according to the manufacturer's instructions. Welding torch and ground cables should be kept as short as possible. This helps avoid radio interference and aids in complying with the regulations of the Federal Communications Commission (see current issues of FCC regulations, Part 18, Industrial, Scientific and Medical Service). In addition, power companies may require installation of capacitors for power-factor correction. Most modern AC welding power supplies have these built in as standard equipment.

**TIG Welding Torches:** Light-duty electrode holders (called "torches") for TIG welding are air-cooled, (Fig. 9-13); others are water-cooled. The TIG torch carries the welding current to the work through the tungsten electrode and directs the inert gas to the weld area. Commercial torches are insulated for maximum welding current ranges to ensure operational safety. They are available in a range of sizes to suit light, medium, and heavy-duty operating conditions. TIG torches should not be used over their rated capacities.

The gas cup or nozzle of the torch can be either ceramic or metal. A ceramic cup is satisfactory for light-duty welding, but for welding at high-current

levels ceramic cups are generally unsatisfactory since the nozzle may melt at the tip, partially closing the opening. On the other hand, metal nozzles of too small a diameter will short out the high-frequency current if the work is touched by the nozzle. Torch manufacturers usually recommend a specific type and size of nozzle for different current ranges. Generally, the diameter of the nozzle should be equal to or slightly greater than that of the molten weld pool.

For currents above 200 amp, water-cooling of the torch is necessary to dissipate excess heat generated by the arc and by the current. In addition, water-cooling the power cable permits use of a more flexible, lighter-weight electrical conductor.

Cooling water should be clean to prevent restricting the flow or clogging the water line or valves. A filter should be installed in the water system ahead of the welding equipment to remove any foreign material. The water-supply pressure should not be higher than that recommended by the torch manufacturer. If necessary, a reducing valve should be used to lower the pressure sufficiently so that it will not damage the torch.

Overheating a TIG torch can melt the silver-brazed metal joints in the torch handle or melt the plastic tube that sheaths the power cable. A control device is available that does not allow the welding current to start unless the water is flowing.

Water flow should be shut off when welding is stopped to prevent excessive cooling and resultant moisture condensation inside the torch. Moisture can contaminate the tungsten electrode and, being a source of hydrogen, can also cause porosity in the weld metal. The most obvious effect of the presence of water is the loss of the cleaning action of the arc (AC or DCRP). This condition continues until the torch is dry.

**Electrodes:** The size, tip condition, and position in the torch of the tungsten electrode are important factors that determine the quality of TIG welding. Size of electrode is chosen so that the tip is maintained at a temperature near its melting point when welding is done in any given AC range. The maximum electrode extension beyond the end of the gas cup should be about equal to the diameter of the cup for butt welding, and slightly greater for fillet welding. However, extension of the electrode somewhat less than these maximums is always preferable, where practical, because it helps improve weld shielding.

Electrodes for AC TIG welding aluminum are available in sizes ranging from 0.010 to 1/4 inch.

TABLE 9-18. TYPICAL CURRENT RANGES FOR TUNGSTEN ELECTRODES<sup>a</sup>

Electrode Diam (in.)	DCSP	DCRP	AC With High Frequency			
			Balanced Wave		Unbalanced Wave	
			Pure Tungsten	Thoriated Tungsten <sup>b</sup>	Pure Tungsten	Thoriated Tungsten <sup>b</sup>
0.010	up to 15	c	up to 15	up to 15	up to 15	up to 15
0.020	5 - 20	c	10 - 20	5 - 20	5 - 15	5 - 20
0.040	15 - 80	c	20 - 30	20 - 60	10 - 60	15 - 80
1/16	70 - 150	10 - 20	30 - 80	60 - 120	50 - 100	70 - 150
3/32	150 - 250	15 - 30	60 - 130	100 - 180	100 - 160	140 - 235
1/8	250 - 400	25 - 40	100 - 180	160 - 250	150 - 210	225 - 325
5/32	400 - 500	40 - 55	160 - 240	200 - 320	200 - 275	300 - 400
5/16	500 - 750	55 - 80	190 - 300	290 - 390	250 - 350	400 - 500
1/4	750 - 1000	80 - 125	250 - 400	340 - 525	325 - 450	500 - 630

a With argon gas.

b This range may be lowered when using electrodes with high-thoria cores.

c DCRP is not commonly used in these sizes.

Selecting the right size of electrode for each job is important to preventing poor welds and electrode damage caused by using too high or too low a current for the size electrode used. When electrode size is matched with the correct current, the tip will become a molten hemisphere. Recommended electrode sizes for various ranges of welding current are shown in Table 9-18.

**Electrode Spitting:** Particles of the electrode being ejected across the arc (electrode "spitting") cannot be tolerated. One result of spitting is that the electrode particles contaminate the weld metal and reduce the mechanical properties of the weld. Another is unnecessary and wasteful consumption of the electrode. Also, the time required to reset the electrode tip and eventually to replace it adds unnecessarily to welding time.

In AC TIG welding, the transfer of electrode particles into the weld pool can be caused by partial rectification of the welding current. The use of batteries in the circuit as a means of reducing partial rectification was discussed earlier.

In all three methods of TIG welding, the transfer of electrode particles can be caused by using too small an electrode for the welding current. This overheats the molten hemisphere at the electrode tip, causing it to drop off.

Spitting of electrode particles across the arc can also occur if too large an electrode is used. In this case, the path of the current or focal point of the arc wanders over the tip of the electrode, and particles of tungsten fly off. It is easy to detect

whether the tungsten particles are flying off or whether the tip is becoming overheated and dropping off.

**Electrode Care:** The electrode should have a clean, silvery appearance. A dirty, rough electrode usually means the inert gas was shut off before the electrode cooled, that there was air leakage in the gas-supply system or in the torch, or that the electrode tip was contaminated by touching metal.

A dirty tungsten electrode can sometimes be cleaned satisfactorily with a fine emery cloth. The contamination can also be removed by using a high current while welding on scrap material until the tip has a sizable molten section; then quickly twisting the torch to flip off a drop of molten metal. If severely contaminated, the electrode should be replaced or the tip broken off and dressed.

In AC TIG welding, the tip should be hemispherical in shape. Needle-point tips are used only for tungsten electrodes when DC TIG welding. In general, tips should be tapered to a blunt end (Fig. 9-14) for AC TIG welding of aluminum.

A grinding wheel is a good tool to make the taper. Some authorities feel that grinding the tip to

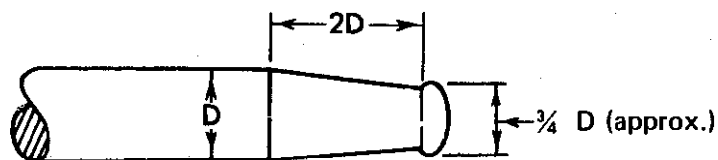


Fig. 9-14. Recommended shape for tip of electrode for AC TIG welding.



a sharp point to facilitate arc starting is worthwhile, but others no longer deem this necessary or advisable.

**AC TIG Welding Techniques:** Before welding is started, electrode size, current settings, and gas flow, as detailed in Table 9-19, should be selected to suit the metal thickness and the welding position.

**Cleaning the Welding Surfaces:** For routine TIG jobs, cleanliness is not so critical as in MIG welding, but, for high-quality TIG welding, maximum cleanliness is necessary. (For cleaning procedures, see Section 9.1.)

**Manual AC TIG welding is slower than MIG;** consequently, the weld pool is molten longer and porosity-causing elements have more time to rise to the surface of the aluminum and escape into the air. However, cleaning before welding is always excellent practice because the possibility of weld porosity is reduced when weld areas are clean. Water or oils usually found in entrapped dirt, hydrated oxide deposits, or hydrogen from any source are potential causes of poor weld quality.

**Striking the Arc:** In AC TIG welding, the high frequency or the high welding voltage (depending upon type of power supply) establishes an ionized path through the shielding gas for the welding current. When the electrode is brought within 1/8 to 1/16 in. of the plate, the welding arc is initiated. The arc is then adjusted to the desired length.

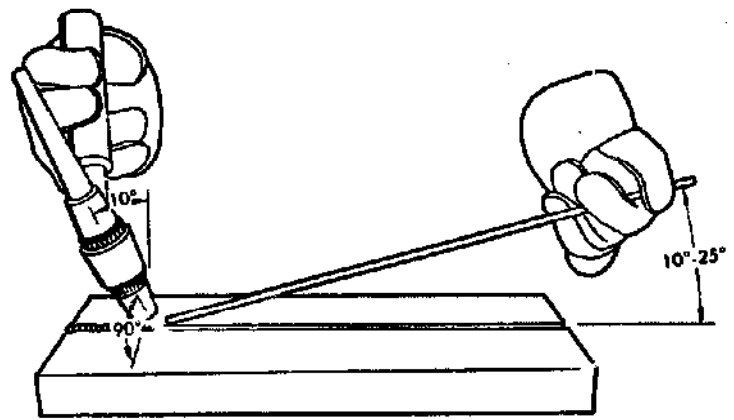


Fig. 9-15. Proper positions of torch and filler rod for manual TIG welding.

After the arc has been established, it is held stationary until a molten pool is formed. The area of the pool is determined by electrode size and welding current. Extent of the pool can be increased by rotating the arc with a slight circular motion of the torch. The proper way to hold the TIG torch during welding is shown in Fig. 9-15.

If desired, the arc can be started on a separate plate of aluminum, copper, or steel and then carried to the workpiece. A carbon starting block should not be used. This method was used in the past, but is no longer recommended, because tungsten carbide is formed when carbon impinges on tungsten. The

TABLE 9-19. RECOMMENDED PRACTICES FOR MANUAL AC TIG WELDING OF ALUMINUM

Plate Thickness (in.)	Welding Position <sup>a</sup>	Joint Type	Alternating Current (amp)	Electrode <sup>b</sup> Diameter (in.)	Argon Gas Flow <sup>c</sup> (cfh)	Filler Rod Diameter (in.)	Number of Passes
1/16	F	Square butt	70 - 100	1/16	20	3/32	1
	H, V	Square butt	70 - 100	1/16	20	3/32	1
	O	Square butt	60 - 90	1/16	25	3/32	1
1/8	F	Square butt	125 - 160	3/32	20	1/8	1
	H, V	Square butt	115 - 150	3/32	20	1/8	1
	O	Square butt	115 - 150	3/32	25	1/8	1
1/4	F	60° single bevel	225 - 275	5/32	30	3/16	2
	H, V	60° single bevel	200 - 240	5/32	30	3/16	2
	O	100° single bevel	210 - 260	5/32	35	3/16	2
3/8	F	60° single bevel	325 - 400	1/4	35	1/4	2
	H, V	60° single bevel	250 - 320	3/16	35	1/4	3
	O	100° single bevel	275 - 350	3/16	40	1/4	3
1/2	F	60° single bevel	375 - 450	1/4	35	1/4	3
	H, V	60° single bevel	250 - 320	3/16	35	1/4	3
	O	100° single bevel	275 - 340	3/16	40	1/4	4
1	F	60° single bevel	500 - 600	5/16 - 3/8	35 - 45	1/4 - 3/8	8 - 10

a F = flat; H = horizontal; V = vertical; O = overhead.

b Diameters are for standard pure or zirconium tungsten electrodes. Thoriated tungsten electrodes not generally used for AC TIG.

c Helium is not generally used in AC TIG welding aluminum. When helium is used, however, flow rates are about twice those used for argon.

carbide has a lower melting point than pure tungsten and forms a molten ball on the end of the electrode, causing poor current distribution.

**Arc Initiation Difficulties:** When high-frequency current is used to start the AC welding arc, a gap of 1/8 to 1/16 in. in an inert-gas atmosphere is sufficient. The high-frequency arc should not jump a gap of more than 3/16 in. Inability to jump a 1/16-in. gap may be caused by a poor electrical connection in the high-frequency circuit, improper arc gap in the high-frequency oscillator, or excessive oxide film on the base material. Standard procedure should include checking the ground-cable-to-work connection, the high-frequency-unit spark-gap adjustment, and cleanliness of base material. A gap of 0.004 to 0.008 in. in each of the series gaps of the high-frequency oscillator is usually satisfactory, provided that the high-frequency leads to the torch are not excessively long. However, the manufacturer's gap-setting recommendations should be followed.

Before the main weld bead is started, the joint should be tack-welded unless hold-down fixtures are used to secure the work.

**Feeding Filler Metal:** Filler rod is added manually to the leading edge of the weld pool as needed. Most operators develop a technique of moving the torch and filler rod intermittently. This consists of holding the torch at a point until the pool is formed, then adding filler metal. The filler rod is then withdrawn and the torch moved forward. This sequence of feeding, moving the torch, and holding until a new pool forms, is repeated until the weld is completed. Practice with this technique produces a smooth weld bead.

It is important to feed the filler rod into the arc at as low an angle as possible, as illustrated in Fig. 9-15. This assures good gas coverage of the molten filler metal and also reduces the possibility of touching the tungsten electrode with the filler rod.

In automatic TIG welding, the torch moves steadily forward, and the filler metal, when used, feeds spooled wire continuously to the leading edge of the pool.

**Completing the Weld:** The manner in which the arc is broken at the end of a weld is important. One method is to withdraw quickly or twist the torch tip up from the work. This rapid breaking of the TIG arc is not recommended, because it leaves a shrink crater. It also promotes porosity, especially when subsequent cover or overlap passes are made over the craters. Craters also may be objectionable in

appearance, and reduced weld strength or leakage may result.

One method for eliminating craters is to finish welding with a decreasing current. This technique is frequently called "decaying arc" and is usually done by means of a foot or hand-actuated control switch. Backtracking (or overlapping, where applicable) for about 1-1/2 in. on the bead before removing the torch or cutting off the current is also good practice. Still another method is to use runoff tabs made from scrap material.

**Preheating:** Preheating the work for AC TIG welding of aluminum is necessary for heavier sections, where the heat is conducted away from the joint so fast that the welding arc cannot produce fusion. Preheating can be done with a gas torch or any other suitable means. Unless the ambient temperature is below 40°F, no preheating is used on plate up to 3/8 in. thick and is optional between 3/8 and 1/2 in. thick. Plates 3/4 in. and thicker may require preheating, but the preheat temperature should not exceed 350°F. Maximum temperatures of heat-treatable alloys are particularly critical because of the narrow temperature range that must be maintained to avoid adverse effects of the heat of welding on mechanical properties of the joint.

**Rough and Dirty Weld Beads:** Various factors can affect the surface appearance of a weld; principal appearance characteristics are described in Table 9-16. As discussed previously, cleanliness is extremely important. Contaminated shielding gas, base material, or filler rod can cause porosity and dross in welds. Insufficient shielding gas can do the same. Poor arc-cleaning action in AC TIG welding can be the result of an insufficient amount of the reverse-polarity portion of the current. Reduction of the half cycle of the current that does the cleaning (DCRP) can be due to poor re-ignition of the arc as the current cycle passes zero. It can also be due to partial rectification, so that the DCRP portion of the AC wave is reduced. The first is caused by the high-frequency unit, and can be corrected by adjusting it. The second, partial rectification, can be alleviated by installing capacitors or a battery "balance" in the welding circuit.

Rough and dirty weld beads can also be caused by poor welding technique. Examples of this are welding with too little current for the travel speed, sloppy torch manipulation, erratic arc due to letting the electrode touch the aluminum, welding in a drafty area, or leaks in the shielding-gas system.

**Welding Speed:** Within the practical limits of the welding conditions on a given job, the faster the

welding speed, the greater the savings in time and the less extensive the heat-affected area in the work. The best speed can be achieved with the highest-practical welding current and use of a downhand position. Often, the increase in efficiency obtainable warrants repositioning of the work.

**Shielding Gas:** Although any inert gas could be used for shielding the arc in the TIG process, argon and helium are used because of their availability, economy, and efficiency. A higher gas flow is required with helium than with argon, but helium permits faster welding speeds and greater penetration. Differentials in rates of gas flow are often about equalized in welding thicker sections. Deeper penetration is obtained with helium, because the AC arc in a helium atmosphere is hotter than in argon.

Many operators prefer argon for manual AC TIG welding, because the arc has greater stability. Additives to argon shielding gas increase the arc temperature and gain some of the advantages of helium shielding gas. Generally, when 10% or more helium is added to argon, arc penetration increases significantly.

Purity of the inert gas is very important. Only welding-grade gases should be used. Furthermore, contamination of the gas must be prevented during its passage from the cylinder to the torch. Moisture, oil residues or fumes, and dust are the common contaminants to guard against. Hoses previously used for acetylene, compressed air, or water are not suitable for TIG welding.

Inert gas for TIG welding is available in pressurized cylinders. For consistent results, a pressure-reducing regulator-flowmeter of the proper type for the gas being used should be included in the system. Shutoff can be manual, effected by hanging the torch on a hook arm which actuates a shutoff valve, but automatic control is preferred. This can be accomplished by connecting a time-delay solenoid valve (controlled by the welding circuit) in the gas line. Production TIG welding equipment has automatic gas and water-control valves built into the welding unit.

## DIRECT-CURRENT, STRAIGHT-POLARITY TIG WELDING

One of the most reliable and useful methods for welding aluminum is the DCSP TIG process. It can be used in the flat, horizontal, and vertical welding positions, and is supplanting MIG welding in many applications.

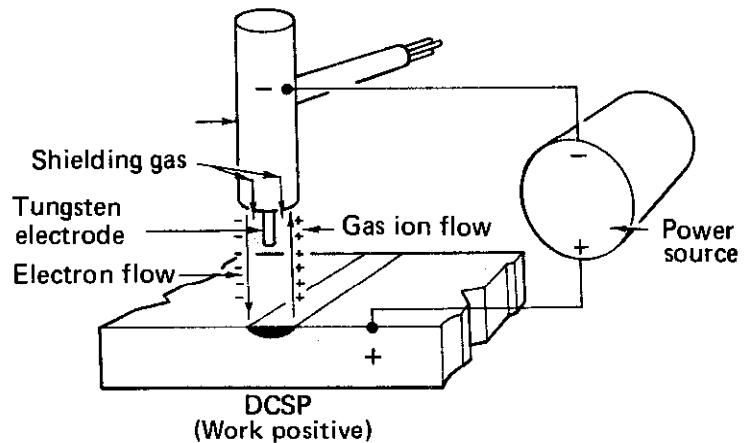


Fig. 9-16. Machine connections for a DCSP TIG welding system; the electrode is negative and the work positive.

In DCSP TIG welding, the electrode is negative and the work positive; the electrons go from the electrode to the plate. This electron flow (Fig. 9-16) results in considerable heating of the base plate, while the electrode stays relatively cool.

DCSP TIG produces a narrow, deep weld. Because the best results on aluminum are obtained with very short arc lengths, this process is best suited for automatic welding. Arc lengths are about 1/16 in. for manual and as little as 1/64 in. for machine welding. This critical arc length is somewhat difficult to control in manual DCSP TIG welding.

Since a DCSP system provides no arc cleaning action to remove the oxide film on aluminum, thorough cleaning and oxide removal are necessary.

**Equipment:** A DC welding generator or rectifier is used for DCSP. (Some welding engineers feel that three-phase power supplies are superior for this process because they provide a smoother current flow.) In addition to the power supply, the same equipment used for AC TIG welding aluminum is employed.

**Electrode Selection:** Electrode requirements are different for DCSP than for AC TIG welding. For DCSP, most weldors prefer thoriated tungsten electrodes over pure tungsten. The thoriated tungsten electrode has a higher heat resistance than the pure tungsten and, therefore, lasts longer. In addition, the thoriated tungsten appears to repel the "skin" on the weld pool and thus permits welding with the electrode in closer proximity to the molten aluminum. Other weldors prefer pure tungsten electrodes, expressing the opinion that thoriated electrodes tend to shatter or splinter.

Whether the preference is for thoriated or pure tungsten, there is general agreement to use oversized

electrodes and to taper the point. Recommended electrode sizes for DCRP, DCSP, and AC TIG welding are shown in Table 9-18.

**Shielding Gas:** A helium-argon mixture (7 to 35% argon) or helium alone is preferred as the shielding gas in DCSP TIG welding aluminum. Although a helium-shielded arc is hotter than an argon-shielded arc, this does not entirely account for the apparent superiority of helium (or of a helium-argon mixture) over pure argon in DCSP TIG welding.

Argon shielding gas has been used for automatic DCSP TIG welding where the length of arc can be controlled closely. However, welding speed drops considerably. The welding voltage does not vary with the arc length as much in helium as it does in argon.

**Joint Design:** Use of the DCSP method of TIG welding to its best advantage requires careful joint design. Square butt joints in aluminum are readily welded by this process. When the plate thickness is so great that V joints are required for DCSP welding, the land can be increased and the included angle of the V decreased. Both changes permit faster welding and require less filler metal.

Distortion is less with DCSP than with AC TIG be-

cause of the lower heat input per unit length of weld.

**Welding Techniques:** High-frequency current is not needed to maintain a stable DCSP arc as in AC TIG welding. It is desirable for initiating the arc, although the arc can be started without it. Thus, the arc can be initiated by touching the work with the electrode tip and then retracting to the proper arc length. The DCSP arc is quieter and smoother than the AC arc, and the weld pool is formed more rapidly. There is no need to play the arc on the base plate to form the pool if sufficient welding current is used.

Because the DCSP arc is so much hotter than the AC arc, manual welding techniques for the two processes differ. In DCSP TIG welding, many operators prefer to hold the filler rod in contact with the joint and to move the arc steadily forward. The rod is not intermittently fed into the weld pool.

Excessive weaving is not desirable in welding aluminum. Instead, multiple stringer beads are recommended for large welds. Interpass brushing is mandatory to remove the oxide from previously completed beads. Standard techniques for eliminating or reducing craters at ends of welds are applicable to this welding method. Recommended joint designs and other details for DCSP TIG

TABLE 9-20. RECOMMENDED PRACTICES FOR DCSP TIG WELDING ALUMINUM IN THE FLAT POSITION

Material Thickness (in.)	Joint Design	Current <sup>a</sup> (amp)	Volts	Diameter of Electrode <sup>b</sup> (in.)	Helium Gas Flow <sup>c</sup> (cfh)	Travel (ipm)	Filler Rod or Wire Diameter (in.)	Number of Passes
0.010	Standing edge	10 - 15		0.020	20 - 50			1
0.020	Square butt	15 - 30		0.020	20 - 50		0.020	1
0.030	Square butt	20 - 50		0.020 or 0.040	20 - 50		0.020 or 0.047	1
0.032	Square butt	65 - 70	10	3/32	20 - 50	52	None	1
0.040	Square butt	25 - 65		3/64	20 - 50		3/64	1
0.050	Square butt	35 - 95		3/64	20 - 50		3/64	1
0.050	Square butt	70 - 80	10	3/32	20 - 50	36	None	1
0.060	Square butt	45 - 120		3/64 or 1/16	20 - 50		3/64 or 1/16	1
0.070	Square butt	55 - 145		1/16	20 - 50		1/16	1
0.080	Square butt	80 - 175		1/16	50 - 50		1/16	1
0.090	Square butt	90 - 185		1/16	20 - 50		1/16	1
1/8	Square butt	120 - 220		1/8	20 - 50		1/8	1
1/8	Square butt	180 - 200	12.5	1/8	20 - 50	24	None	1
1/4	Square butt	230 - 340		1/8	25 - 60		1/8 or 3/16	1
1/4	Square butt	220 - 240	12.5	1/8	25 - 60	22	None	1
1/2	60°V bevel, 1/4-in. root face	300 - 450		3/16	25 - 60		1/8 or 1/4	1
1/2	Square butt	260 - 300	13	5/32	25 - 60	20	None	2
3/4	60°V or double-V bevel, 3/16-in. root face	300 - 450		3/16	25 - 60		1/8 or 1/4	3 (single-V)
3/4	Square butt	450 - 470	9.5	3/16	40 - 60	6	None	2 (double-V)
1	60°V or double-V bevel, 3/16-in. root face	300 - 450		3/16	25 - 60		1/8 or 1/4	2
1	Square butt	550 - 570	9.5	1/4	40 - 60	5	None	4 (single-V)
								2 (double-V)
								2

a Automatic welding is required for the higher amperages. Manual welding can be done at the lower amperages.

b In lighter gages, it is common to use larger diameter electrodes than recommended and to taper the tip.

c Helium-argon mixtures may be substituted. In automatic welding, the arc can be started in argon, and the helium added to the shielded gas when welding begins. The best ratio of He-A is usually determined by experimentation. Gas flow depends in part on welding speed.

welding are given in Table 9-20.

Welds can be made with or without filler addition, depending upon the alloy, thickness, joint design, and whether force is exerted to push the two weld edges together during fusion. Edge undercutting sometimes occurs, due to the highly concentrated heat of the DCSP arc.

In high-speed welding, the DCSP torch is sometimes followed by an AC TIG torch to smooth the weld bead. Also, an AC torch can precede the DC torch, acting as a preheater and surface cleaner.

**Weld Appearance:** A dull oxide film always covers the DCSP bead at the edge and may cover the entire surface. This film is removed easily by wire brushing. A particularly shiny bead, with dark edges, is obtained in DCSP welding aluminum when helium is used.

**Mechanical Properties:** Because of the high welding speed possible with DCSP, the heat-affected zones adjacent to the weld are usually narrower than with the AC TIG process. This is more apparent in the heat-treatable alloys, such as 6061 or 6063, than in the nonheat-treatable alloys, such as 5086 or 5083.

**DIRECT-CURRENT, REVERSE-POLARITY TIG WELDING**

Equipment required for the DCRP TIG process is the same as that used for DCSP welding. The machine connections for torch and work cables, however, are reversed, as shown in Fig. 9-17.

In DCRP welding, the tungsten electrode is heated and the plate stays relatively cool. For this

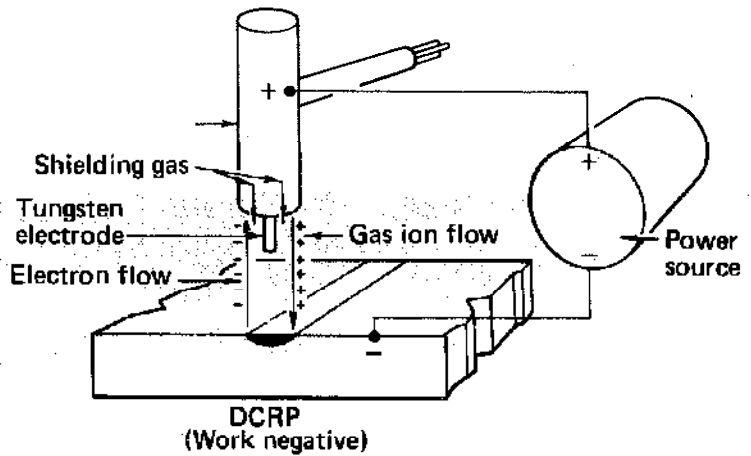


Fig. 9-17. Machine connections for a DCRP TIG welding system; the electrode is positive and the work negative.

reason, electrodes used with DCRP welding must be considerably larger in diameter than those used with AC or DCSP TIG welding. For example, a 1/4-in.-diameter electrode is required for 125 amp of DCRP welding current, whereas a 1/16-in. electrode will handle the same current in DCSP (see Table 9-18). If an electrode is too small, the tip will overheat and drop off, contaminating the weld.

The DCRP arc produces an excellent cleaning action on an aluminum surface, breaking up any oxide present. But the bead produced by this process is shallow (because the plate stays relatively cool), which limits DCRP welding of aluminum to thin sheet — to about 0.050 in. maximum.

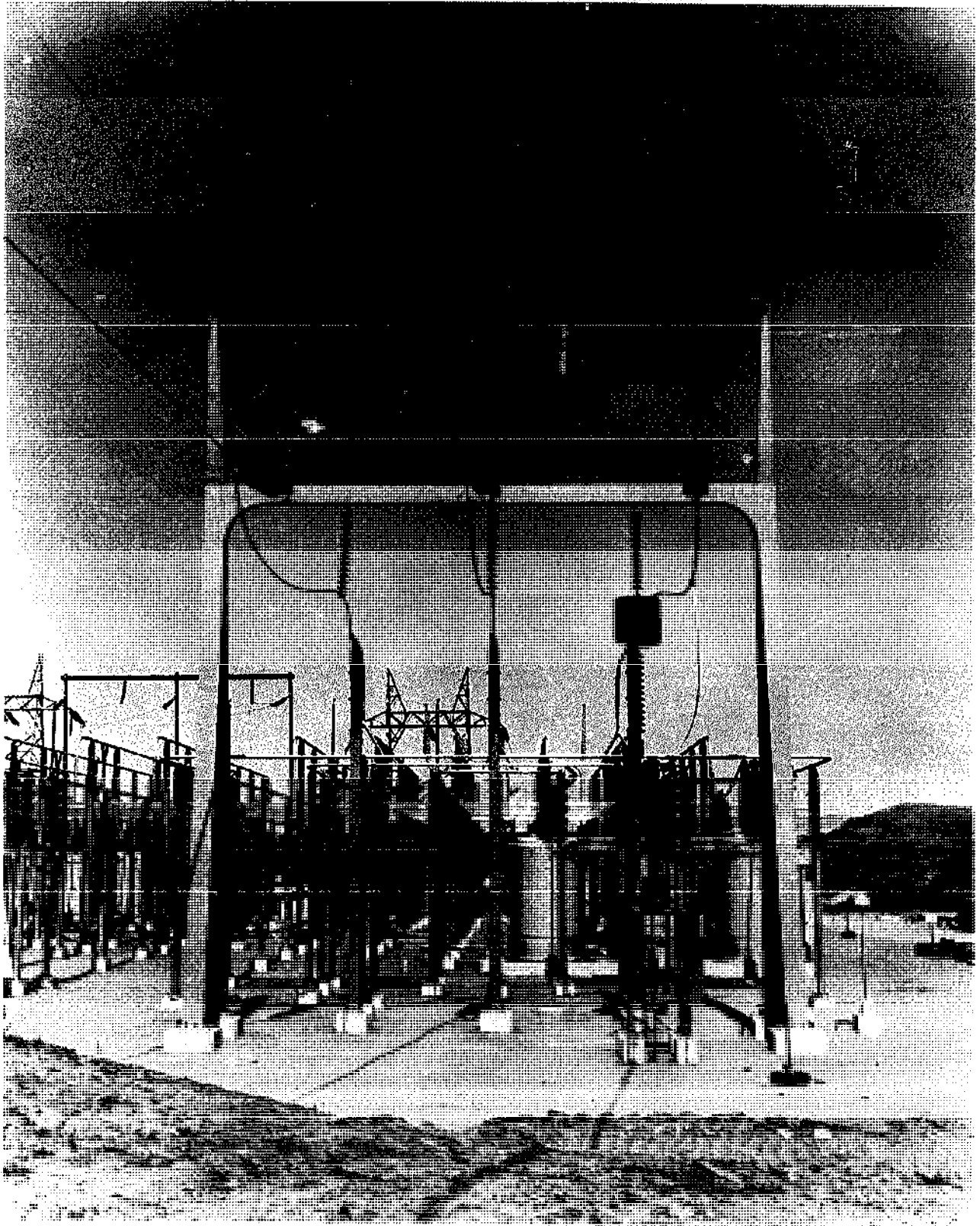
The shielding gas usually used with DCRP TIG welding is argon. Recommended flow rates, along with suggested procedures for DCRP welding of aluminum, are listed in Table 9-21.

TABLE 9-21. RECOMMENDED PRACTICES FOR DCRP TIG WELDING OF ALUMINUM IN THE FLAT POSITION

Material Thickness t (in.)	Joint Design <sup>a</sup>	Electrode Diameter <sup>b</sup> (in.)	Welding Current <sup>b</sup> (amp)	Gas Flow (cfh)	Filler Diameter (in.)
0.010		3/32	15 - 25	15 - 25	—
0.020		1/8 - 5/32	40 - 55	15 - 25	—
0.030		1/8 - 5/32	40 - 55	15 - 20	0.020
0.040		3/16	50 - 65	15 - 20	0.020 or 3/64
0.050		3/16	60 - 80	20 - 30	—
		3/16	60 - 80	25 - 30	3/64
		3/16	70 - 90	20 - 30	—
		3/16	70 - 90	25 - 30	3/64 or 1/16

<sup>a</sup> Use of a backup with a generous groove is recommended in all cases.

<sup>b</sup> High currents, with correspondingly larger electrodes, can be used for automatic welding.



Welded support structure for a 230 KV power line.

**Section 10**

**WELDING COPPER AND COPPER ALLOYS**

**SECTION 10.1**

**WELDING COPPER AND COPPER ALLOYS**

	Page
Weldability of Copper Alloys .....	10.1-1
Welding Copper and Its Alloys with Manual Covered Electrodes .....	10.1-3
Welding Copper and Copper Alloys by the Gas Metal-Arc Process .....	10.1-5
Welding Copper and Copper Alloys by the Gas Tungsten-Arc Process .....	10.1-6
Welding Copper and Copper Alloys by the Carbon-Arc Process .....	10.1-8

## Welding Copper and Copper Alloys

Copper, one of the best metals for conducting heat and electricity, is also fairly reactive chemically, particularly in respect to oxygen. Yet, it is produced and sold in one of the purest forms of any commercial metal. Ordinary tough-pitch or electrolytic copper is 99.9+% pure, with about 0.05% copper oxide distributed throughout the metal as a copper-oxide eutectic. During welding, the migration of copper oxide to the grain boundaries tends to cause loss of ductility of the otherwise highly ductile material.

The absorption of carbon monoxide and hydrogen at temperatures above 1300°F, with resultant reaction with copper oxide to form carbon dioxide and water vapor, also complicates the welding of copper by causing internal cracking and embrittlement. As indicated in Table 10-1 — Applicability of Four Welding Processes to Copper and Its Alloys, only poor to fair weld quality is obtainable with the manual covered electrode, gas metal-arc, gas tungsten-arc, and carbon-arc processes when welding electrolytic tough-pitch copper.

The addition of a small amount of silicon, phosphorus, or other deoxidizers to copper results in deoxidized copper, which can be welded with the gas metal-arc, gas tungsten-arc, or carbon-arc processes with substantially improved results. The deoxidizing element ties up the oxygen content, inhibiting the formation of copper oxide at the grain boundaries.

One form of deoxidized copper is known commercially as "oxygen-free." This is copper that has been remelted and cast in a hydrogen atmosphere to remove oxygen. Oxygen-free copper contains no deoxidizing elements, the absence of which improves some of the mechanical properties, but makes the metal susceptible to internal oxidation at prolonged heating in air at elevated temperatures. Oxygen-free copper, thus, tends to pick up oxygen during welding, forming copper oxide. As a result, the welds are usually inferior in quality to those in deoxidized copper. For this reason, oxygen-free copper can be classed with electrolytic copper in summarizing its weldability — as done in Table 10-1.

Only when using the carbon-arc process with its highly reducing atmosphere do welds in oxygen-free copper exhibit significant improvements in quality over welds in electrolytic copper.

The affinity of copper for oxygen is only one of several characteristics that make welding difficult. Even though copper melts at a much lower temperature than steel (1980°F versus 2775°F), it takes longer to melt a section of copper than an equivalent section of steel with the electric arc. This results from the high thermal conductivity of copper — about five times that of steel. When welding copper, the metal adjacent to the weld area draws away heat about as fast as it is introduced. Not until the adjacent metal is adequately heated does the spot being welded reach the melting point. The high thermal conductivity of copper, thus, usually makes preheating necessary when welding.

Copper also has a higher coefficient of expansion than steel. This means that it expands more when heated and contracts more when cooled, accentuating the shrinkage and weld-cracking problem that welding operators are accustomed to dealing with when welding steel. This problem is further heightened by the rapid decrease of the tensile strength of copper above 500°F.

### WELDABILITY OF COPPER ALLOYS

There are numerous copper alloys designed for various mechanical, electrical, and architectural applications. The alloying elements used are lead, zinc, tin, nickel, aluminum, iron, and beryllium, in varying admixtures and percentages. All of the alloys are weldable, although not to the same degree of ease or success in respect to the quality of weld. The approximate compositions and properties of the six representative alloys commonly used in products fabricated by welding are listed in Table 10-2 — Properties of Copper and Copper Alloys, along with the properties of electrolytic and deoxidized copper. The weldabilities of these six alloys are summarized by chart fashion in Table 10-1 and discussed in the following text.



TABLE 10-1. APPLICABILITY OF FOUR WELDING PROCESSES TO COPPER AND ITS ALLOYS

Common Name	Oxygen-Free or Electrolytic Tough-Pitch Copper	Deoxidized Copper	Red Brass	Muntz Metal	Silicon Bronze	Phosphor Bronze	Cupro-nickel	Aluminum Bronze
<b>Manual Covered Electrode – DCRP</b>								
Weld quality	Fair to poor	Fair. Prefer gas metal-arc or gas tungsten-arc	Good	Good	Fair. Prefer gas metal-arc or gas tungsten-arc	Good	Good	Fair. Prefer gas metal-arc or gas tungsten-arc
Electrode	ECuSn-A or ECuSn-C	ECuSn-A or ECuSn-C	ECuSn-A or ECuSn-C or ECuAl-A2 for higher strength.	ECuSn-A or ECuSn-C or ECuAl-A2 for higher strength.	ECuSi ECuAl-A2	ECuSn-A ECuSn-C	ECuNi	ECuAl-A2 ECuAl-B for higher strength.
Preheat $\sigma_F$	Up to 900	Up to 900	400 to 500	500 to 700	Not required. Do not exceed 200 interpass.	300 to 400	Not required.	400, up to 1150 for the high-aluminum grades.
<b>Gas Metal-Arc – DCRP</b>								
Weld quality	Fair to poor	Good	Good	Good	Good	Fair	Good	Good
Electrode	ECu for best conductivity. ECuSi for best strength.	ECu or ECuSi	ECuSn-C best color match. ECuSi best operation.	ECuAl-A2 for strength. ECuSi for best operation.	ECuSi	ECuSn-A ECuSn-C for higher strength.	ECuNi	ECuAl-A1 ECuAl-A2 ECuAl-B
Preheat $\sigma_F$	Up to 1000, depending on the thickness.	400 for 1/4 in. and thicker	Up to 400 on heavy sections	Not required. Can be used to reduce zinc fuming.	Not required. Do not exceed 200 interpass	200 to 400	Usually not required.	On heavy sections only. Do not exceed 500.
Gas	Argon for 1 in. or thinner. Over 1 in. use 65% helium, 35% argon mixture	Argon for 1 in. or thinner. Helium-argon mixture over 1 in.	Helium	Helium	Argon or argon-helium mixture.	Helium	Argon or helium. Argon preferred.	Argon or helium or a mixture.
<b>Gas Tungsten-Arc DCSP except on Aluminum Bronze AC is Preferred</b>								
Weld quality	Fair	Good	Fair	Fair	Good	Fair	Good	Good
Rod if used	RCuSi-A or RCuSn-A for strength RCu for best conductivity.	RCuSi-A or RCuSn-A	RCuSn-A RCuSn-C RCuSi-A	RCuSi-A RCuAl-A2	RCuSi-A	RCuSn-A	RCuNi	RCuAl-A2 RCuAl-B
Preheat $\sigma_F$	Up to 1000, depending on thickness.	Up to 1000, depending on thickness.	Up to 400, depending on thickness.	Up to 400	Not required. Do not exceed 200 interpass.	Up to 400 followed by slow cool.	Usually not required	On heavy sections only. Do not exceed 500.
Gas	Helium or mixture of 75% helium and 25% argon	Argon 1/8 in. and thinner. Helium over 1/8 in.	Argon	Argon	Argon or argon-helium mixture	Helium Argon on thin sheet	Argon	Argon
<b>Carbon-Arc – DCSP</b>								
Weld quality	Tough-pitch	Good	Fair	Fair	Fair	Fair	Fair	Fair
	Fair to poor							
Rod if used	RCu for best conductivity RCuSn-A for best strength	RCu for best conductivity RCuSn-A for best strength	RCuSi-A, RCuSn-C for single pass only.	RCuSi-A	RCuSi-A	RCuSn-A	RCuNi	Use an ECuAl-A2 as filler rod.
Preheat $\sigma_F$	Up to 600	Up to 600	Up to 400	Up to 300	Not required.	Usually not required.	Not required.	On heavy sections only.

TABLE 10-2. PROPERTIES OF COPPER AND COPPER ALLOYS

Common Name	Tough-pitch (Electrolytic)		Deoxidized Copper		Red Brass		Muntz Metal		Silicon Bronze		Phosphor Bronze		Cupro-nickel		Aluminum Bronze	
	Hard	Soft	Hard	Soft	Hard	Soft	Hard	Soft	Hard	Soft	Hard	Soft	Hard	Soft	Hard	Soft
Approximate composition (%)	Copper 99.95		Copper 99.95 Phos. 0.02		Copper 85 Zinc 15		Copper 60 Zinc 40		Copper 96 Silicon 3		Copper 92 Tin 7 Phos. 0.2		Copper 70 Nickel 30		Copper 91 Aluminum 7 Iron 2	
Tensile strength (1000 psi)	50	32	55	32	62	40	74	54	94	60	91	56	84	55	80	72
Yield strength (1000 psi)	45	10	50	10	57	12	60	21	58	25	86	25	79	18	50	38
Elongation in 2 in. (%)	12	55	8	45	5	47	8	45	8	60	17	73	3	36	30	42
Rockwell hardness	50B	40F	60B	40F	73B	59F	80B	80F	93B	60B	94B	43B	85B	40B	83B	74B
Electrical conductivity 68°F (% IACS)	101		85		37		28		7		13		4.6		14	
Thermal conductivity 68°F (Btu/sq ft/ft/hr/°F)	226		196		92		69		21		36		17		44	

## WELDING COPPER AND ITS ALLOYS WITH MANUAL COVERED ELECTRODES

Commercial arc welding of copper and its alloys — with several exotic exceptions — is limited to the four processes shown in Table 10-1. The shielded metal-arc process is the simplest to use and has advantages over the tungsten-arc and carbon-arc processes. The heating cycle is relatively short, which is desirable with some alloys. With plate over 1/4 in. thick, preheating is usually necessary to get proper fusion. As indicated in Table 10-1, the best welds with the manual covered electrode are obtained when welding the copper-zinc, copper-tin, and copper-nickel alloys. Full-strength joints are not possible on electrolytic, oxygen-free, or deoxidized copper.

Electrode selection depends on the chemical composition of the base metal. Section 4.1 gives the AWS classifications and chemical-composition requirements of electrodes for welding copper and its alloys. The minimum specified tensile strengths for welds deposited by these electrodes are also listed in Section 4.1.

Table 10-1 gives the electrode classifications recommended for the metal and six alloys. Thus, from this table it can be seen that an ECuNi electrode would be chosen for welding cupro-nickel alloys and either an ECuSn-A, ECuSn-C, or ECuAl-A2 would give good results with the low-and high-zinc brasses (red brass and Muntz metal).

Direct current, reverse polarity is used with most copper and copper-alloy covered electrodes. The

welding operations differ from those of steel as necessitated by the marked differences in physical properties. In general, wider root openings and groove angles are required in the joint preparations, along with a greater amount of tack welding, higher preheat and interpass temperatures, and higher current densities. Figure 10-1 shows the AWS-recommended edge preparations for light-gage and plate material.

The preheat requirements are specified in Table 10-1. With the exception noted for silicon bronze, phosphor bronze, and cupro-nickel, preheat and interpass temperatures of 400°F or more are necessary to get adequate flow of molten metal. Joints are usually backed with the same material as the base metal, although carbon or copper backings may

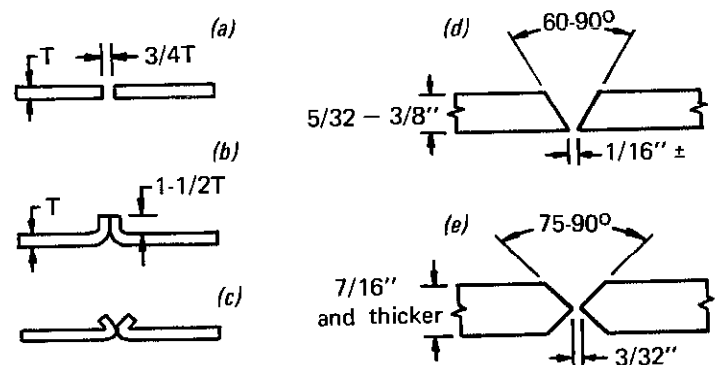


Fig. 10-1. Edge preparations commonly employed when designing copper and copper alloy joints for welding. Preparations (a), (b) and (c) are usually used for light-gage materials, while (d) and (e) may be used for heavier sections.

be used with most of the alloys. By using a grooved backup of carbon or copper, a small bead may be formed on the underside of the joint.

Although unsatisfactory for quality, full-strength joints in electrolytic copper, and producing only fair-quality welds in deoxidized copper, there are occasions when it is practical to weld these metals with the shielded metal-arc process, using ECuSn-A or ECuSn-C electrodes. A grooved backing strip of copper with a wide-angle groove should be used, with the welding done downhand. The largest diameter electrode possible for the plate thickness should be selected. A high current density is necessary to assure good metal flow and minimize slag entrapment. Weave or stringer beads may be used, depending on the width of the groove. Clamping of the joint should be moderate to minimize the possibility of weld cracking.

Referring to Table 10-1, it can be seen that good results are obtained when welding the brasses (red brass and Muntz metal) by the shielded metal-arc process, using ECuSn-A, ECuSn-C, or ECuAl-A2 electrodes. The latter electrode is used when high tensile and fatigue strength and good corrosion resistance are requirements. The preheat and interpass temperatures should be not less than 400°F for red brass nor less than 500°F for Muntz metal. Backing strips of matching plate or copper should be used, and groove preparations should be wide to assure penetration and prevent slag inclusions.

The zinc content of the brasses is a cause of welding difficulties. Welding temperatures tend to volatilize the zinc, leading to zinc oxide fumes that constitute health hazards unless the area is well ventilated. The zinc oxide fumes obscure vision and make fusion difficult by reducing the wetting properties of the molten metal. Vaporization can cause excessive loss of zinc, changing the composition of the metal in the weld area, with resultant changes in physical and mechanical properties from that of the base metal.

To give the best results and minimize zinc volatilization, all welding should be performed in the flat position with the largest size electrode practical. Playing the arc on a small puddle when using the ECuAl-A2 electrode and progressing slowly with a weaving motion minimizes the loss of zinc. The current should be on the high side of the range. With the ECuSn-A and ECuSn-C electrodes, currents on the high side of the range and fast welding speeds should be used with thin stringer beads.

Although gas-shielded arc-welding processes are preferred for the silicon bronzes, welds of fair

quality can be obtained with the ECuSi and ECuAl-A2 manual metal-arc electrodes. The silicon bronzes have a lower thermal conductivity than other copper alloys, a factor facilitating welding ease. Because of this, the groove preparations can be similar to those used with steel. Square butt joints may be used in thicknesses up to 5/32 in., and material of greater thickness may be joined by single or double-V grooves with a 60° included angle.

The silicon bronzes are hot-short and preheats are undesirable. Care should be taken that interpass temperatures do not exceed 200°F. The weld metal should be deposited rapidly in the form of stringer beads, with the current setting in the middle of the recommended range for the electrode size. Maintaining a short arc and a small puddle helps prevent overheating. It is preferable that the work be planned for downhand welding.

The shielded metal-arc process usually gives better quality welds on the phosphor bronzes than any other arc-welding process. ECuSn-A and ECuSn-C electrodes are specified. Preheat and interpass temperatures up to 400°F and no lower than 300°F are required to give adequate flow to the molten metal. Wide grooves facilitate washing the side walls. A backing strip is desirable, as is downhand positioning, although out-of-position work is possible where necessitated by the shape or size of the weldment.

A groove joint may be welded by depositing the first two layers with a slight weaving technique, followed by thin stringer beads. The width of the preliminary weaves should be no more than twice the electrode diameter. This technique of depositing the weld metal facilitates the formation of a fine-grain, dense structure with the best as-welded mechanical properties. The coarse dendritic-grain structure that tends to characterize the phosphor bronzes can also be avoided when using stringer beads exclusively by exercising care in maintaining the interpass temperature in the 300°F to 400°F range. A postheat treatment of 900°F, with fast cooling, is recommended to give the deposit maximum ductility, when such may be desirable.

Shielded metal-arc welding with the ECuNi electrode gives quality deposits with cupro-nickel alloys. The flux of the covering is designed to handle the highly refractory nickel oxides formed under the heat of the arc. Smooth weld deposits, free from slag or porosity, are possible with good workmanship. Welding in the flat position is recommended, although welds can be made out-of-position.

ECuAl-A2 and ECuAl-B electrodes are used to

join commercial grades of aluminum bronze sheet and plate by the shielded metal-arc process. As noted in Table 10-1, the welds are rated fair in quality, compared to the good ratings by the gas-shielded processes. Welding is made difficult because of the highly refractive aluminum oxides formed, which must be removed by fluxing. A wide groove — with an included angle of  $70^\circ$  to  $90^\circ$  — should be used with heavier sections, together with a backup strip of the same material. A preheat and interpass temperature of  $400^\circ\text{F}$  is recommended for the low-aluminum grades and temperatures up to  $1150^\circ\text{F}$ , with postweld fan cooling, with aluminum bronzes of higher aluminum content.

Welding techniques similar to those used with steel may be employed. Beads may be either weave or stringer. The deposits have exceptionally good hot strength and hot ductility, allowing much leeway in bead thickness. Downhand welding is recommended. An anneal at  $1150^\circ\text{F}$ , followed by fan cooling, is required as a postheat treatment for the high-aluminum grades.

## WELDING COPPER AND COPPER ALLOYS BY THE GAS METAL-ARC PROCESS

Copper and copper alloys may be welded with the semiautomatic and fully automatic gas metal-arc process, using solid or stranded bare electrode wire meeting the chemical compositions shown in Section 4.1 and helium or argon, or mixture thereof, as the shielding gas. The weld quality is especially good with the brasses and bronzes, with the exception of the phosphor bronzes, where the covered manual electrode gives superior mechanical properties in the deposited metal. Gas metal-arc welding also gives good welds when joining deoxidized copper.

The obvious advantage of a semiautomatic or fully automatic process is the higher deposition rates obtainable by the mechanized feeding of the electrode to the arc. Other advantages are excellent weld appearance, good physical properties, uniform weld quality, dense deposits, low distortion, and low preheat and interpass temperature requirements.

Gas metal-arc welding may be used to join electrolytic and oxygen-free copper, but the welds are rated only poor to fair in quality. Table 10-1 shows the electrode types, preheat, and shielding gases recommended. The ECu and ECuSi electrode wires give good groove welds with various grades of deoxidized copper when the preparations are wide enough to permit proper manipulation. A  $90^\circ$  included angle should be used when plates are  $1/2$  in. or more

in thickness, and a preheat of  $400^\circ\text{F}$  is recommended for  $1/4$ -in. or thicker plate. Peening, followed by annealing, is frequently used to refine the weld grain structure.

As Table 10-1 indicates, ECuSn-C and ECuSi electrodes give good quality welds with the red brasses. The former produces deposits with the better color match; ECuSi gives better operating characteristics. The properties of the weld metal are similar. Helium is the preferred gas with the ECuSn-C electrode, and a preheat of  $400^\circ\text{F}$  is recommended when welding plate  $3/16$  in. or more in thickness. Argon may be used with the ECuSi electrode. Specifications frequently call for an included angle of  $70^\circ$  in heavier plate grooves welded with the ECuSn-C electrode and  $60^\circ$  in grooves welded with ECuSi wire.

The higher-zinc alloys, as typified by Muntz metal, may be welded with ECuAl-A2 or ECuSi filler wires, using helium as the shielding gas. Preheating is not required, but is helpful in reducing zinc volatilization by making lower welding currents practical. ECuAl-A2 wire gives welds with the better strength; ECuSi wire exhibits better welding characteristics.

The gas metal-arc process is often preferred for the welding of silicon bronzes. It gives good quality welds when used with the ECuSi electrode and argon gas or a mixture of argon and helium. Preheating is not required, and care should be taken to avoid overheating by welding rapidly. A small weld puddle should be maintained, with the weld progressing at a rate of about 8 in. per minute. The oxide film formed on the weld bead should be removed by wire brushing in multipass work.

Only fair-quality welds can be expected with the gas metal-arc process when welding the phosphor bronzes with the electrodes, preheat ranges, and gas indicated in Table 10-1. These bronzes tend to be hot-short, and they are characterized by thermal conductivities greater than those of the silicon bronzes. Consequently, if the process is used with phosphor bronzes and wider groove preparations, higher current densities are required. The rate of travel must be rapid and the puddle kept small. Heavier sections require a preheat approaching  $400^\circ\text{F}$ .

The gas metal-arc process gives good results when welding the copper-nickel alloys — possibly the best welds of any applicable process. Either argon or a mixture of argon and helium may be used with the ECuNi electrode wire. Square butt joints are used with light-gage sheet, and single or double-

V grooves with an included angle of 60° with plate material. Welding may be done out-of-position as well as in the preferred downhand positions.

Good-quality welds are also obtained with gas metal-arc welding when joining the aluminum bronzes. Here, also, out-of-position welding is practical, although the best weld quality is attained in joints presented in the flat position. Table 10-1 shows the electrode types and shielding gases recommended. Note that a preheat is not required, except for heavy sections. Stringer beads and small-to-moderate weave beads are considered desirable.

**WELDING COPPER AND COPPER ALLOYS BY THE GAS TUNGSTEN-ARC PROCESS**

Copper and its alloys can also be welded by the gas tungsten-arc process, in which the arc is between a nonconsumable tungsten electrode and the work, and the filler metal is obtained from a consumable rod fed into the arc. Welding is done using direct current, straight polarity, except in the case of welding the aluminum bronzes, where AC current is preferred.

The chemical composition of welding rods used with the process, and also with carbon-arc welding of copper and copper alloys, are specified by the AWS as shown in Section 4.1. Note that rods carry the initial "R" letter in the AWS classification to distinguish them from electrodes, which are denoted by "E." The tensile-strength requirements for deposits from the various classifications of welding rods are also shown in Section 4.1.

The gas tungsten-arc process gives dense, high-quality welds on deoxidized copper, silicon bronze, cupro-nickel, and aluminum bronze, and fair-quality welds on electrolytic and deoxidized copper, red brass, Muntz metal, and phosphor bronze. Argon, helium, or a mixture of the inert gases are used for shielding, depending on the material welded. Wide grooves, with 60° to 90° included angles, are required for plate material for good performance, and root gaps are used to insure complete penetration.

When welding copper, the performance requirements of the weldment may dictate the selection of welding rod. Thus, if it is desirable to maintain good thermal or electrical conductivity at the joint, the

**GAS METAL-ARC WELDING OF COPPER**

Process: Gas Metal-Arc Plate Material: Oxygen-Free Copper Plate Thickness: 1/8 - 1/2 in. Electrode Class: ECu Position: Flat Polarity: DCRP Gas: Argon 50 cfh						
Plate Thickness T (in.)	1/8	1/4	3/8	1/2		
Electrode Size	1/16	3/32	3/32	3/32		
Pass	1	1 2	1 2	1 2		
Current (amp)	310	460 500	500 550	540 600		
Wire Feed Speed (in./min)	200	135 150	150 170	165 180		
Volts	27	26	27	27		
Arc Speed (in./min)	30	20	14	12 10		
Total Time (hr/ft of weld)	0.00667	0.0200	0.0286	0.0367		
A (in.)			3/16	1/4		

RCu rod would be selected when welding oxygen-free or electrolytic copper. If strength is a more important consideration, the RCuSi-A or RCuSn-A rod would be used. These latter rods are recommended for use with deoxidized copper. Table 10-1 shows the shielding gases that may be used. Note that preheats up to 1000° may be required to secure proper fusion. The gas tungsten-arc process becomes decreasingly desirable as plate thickness increases because of the need for high preheat and a 90° included angle for good welding performance.

Even though weld quality is rated only "fair," the gas tungsten-arc process is used extensively in the fabrication and repair of the brasses. The appropriate rod classifications, shielding gases, and preheats are shown in Table 10-1. Sheet brasses are weldable without a preheat.

The silicon bronzes are readily welded with the gas tungsten-arc process. Good-quality welds are obtained with RCuSi-A electrode. Direct current, straight polarity is preferred, although alternating current may be used. Note from Table 10-1 that a preheat is not required and that interpass temperatures should not exceed 200°F. Sheet material is

frequently joined without an edge preparation or use of a filler rod by the fusing of the base metal. With thicker material, a 60° included angle is required, together with filler rod of appropriate diameter.

The RCuSn-A welding rod gives a fair-quality weld by the process with the phosphor bronzes. In practice, the process is usually limited to repair work on castings of such materials. Welding should be done as rapidly as possible, using a preheat up to 400°F. Slow cooling is desirable, and hot peening is often used to refine the grain structure and reduce stress and distortion.

Both the cupro-nickels and aluminum bronzes are readily welded with the gas tungsten-arc process. RCuNi filler rod gives good-quality weld metal with the copper-nickel alloys, using argon as the shielding gas. No preheat is required.

The process is highly recommended for the aluminum bronzes, on which it produces quality welds of excellent appearance. Light-gage sheet can be welded without filler rod; RCuA1-A2 rod should be chosen for plate joining; and RCuA1-B is typical of the filler rods recommended for the repair of

**GAS TUNGSTEN-ARC WELDING OF SILICON BRONZE**

Process: Gas Tungsten-Arc Plate Material: Silicon Bronze Plate Thickness: 1/16 - 1/8 in. Passes: 1 Rod Class: RCuSi-A Position: Flat Polarity: DCSP				
<b>Joint</b>	<b>Butt or Corner</b>		<b>Fillet or Lap</b>	
Plate Thickness, T (in.)	1/16	1/8	1/16	1/8
Rod Size	1/16	3/32	1/16	3/32
Electrode Size	1/16	3/32	1/16	3/32
Current (amp)	100 - 120	130 - 150	110 - 130	140 - 160
Gas (cfh)	Argon 15	Argon 15	Argon 15	Argon 15
Arc Speed (in./min)	12	12	10	10
Total Time (hr/ft of weld)	0.0167	0.0167	0.0200	0.0200

## 10.1-8 Welding Copper and Copper Alloys

castings. Preheats are required only with heavy sections. Alternating current usually gives welds of highest quality, although direct current, straight polarity can be used in many applications. Argon is the preferred shielding gas. No special welding techniques, postweld peening, or heat treatments are normally required.

### WELDING COPPER AND COPPER ALLOYS BY THE CARBON-ARC PROCESS

The carbon-arc process was formerly used extensively for the welding of copper and its alloys, but has been largely obsoleted by the gas-shielded and manual covered electrode processes. As noted by Table 10-1, it produces weld metal of good quality only in the case of deoxidized copper. The reducing action of the carbon-arc process tends to cause embrittlement in oxygen-bearing coppers.

Carbon-arc welding procedures call for pointed carbon electrodes in diameters from  $5/32''$  to  $1/2''$  to carry the current and strike the arc. The carbon should be gripped about three inches from the arc to prevent excessive burning away. Straight polarity is mandatory. The arc is generally played on the filler metal rather than on the base metal, after bringing the base metal up to preheat temperature. Joints in thin material can be fused together without the use of a filler rod.

Table 10-1 shows the recommended filler rods and preheat requirements — should there be reason for selection of this process. In most instances, however, it is recommended that the gas-shielded or covered-electrode processes be used to avoid the difficulties or inferior welds that result from welding copper and copper alloys with the carbon-arc process.

### GAS TUNGSTEN-ARC WELDING OF COPPER

<p>Process: Gas Tungsten-Arc          Plate Material: Deoxidized Copper          Plate Thickness: <math>1/16 - 1/4</math>          Passes: 1          Rod Class: RCu          Position: Flat          Polarity: DCSP</p>								
<b>Joint</b>	<b>Butt or Corner</b>				<b>Fillet or Lap</b>			
Plate Thickness T (in.)	1/16	1/8	3/16*	1/4†	1/16	1/8	3/16*	1/4†
Rod Size	1/16	3/32	1/8	1/8	1/16	3/32	1/8	1/8
Electrode Size	1/16	3/32	1/8	1/8	1/16	3/32	1/8	1/8
Current (amp)	110 - 140	175 - 225	190 - 225	225 - 260	130 - 150	200 - 250	200 - 250	250 - 280
Gas (cfh)	Argon 15	Argon 15	Helium 30	Helium 30	Argon 15	Argon 15	Helium 30	Helium 30
Arc Speed (in./min)	12	11	10	9	10	9	8	7
Total Time (hr/ft of weld)	0.0167	0.0182	0.0200	0.0222	0.0200	0.0222	0.0250	0.0286

\* Preheat 200°F

† Preheat 300°F

# QUALITY CONTROL

## SECTION 11.1 WELD QUALITY

	Page
The Five P's that Assure Quality .....	11.1-1
Quality Versus Acceptability .....	11.1-3
Some Observations on Weld Defects .....	11.1-3

## SECTION 11.2 INSPECTION AND TESTING

Visual Inspection During the Work .....	11.2-1
Visual Inspection After Welding .....	11.2-3
Other Inspection Methods .....	11.2-5
Radiographic Inspection .....	11.2-6
Magnetic-Particle Inspection .....	11.2-10
Liquid-Penetrant Inspection .....	11.2-13
Ultrasonic Inspection .....	11.2-14
Chemical and Metallographic Examination .....	11.2-15
Mechanical Testing .....	11.2-16
Spot Checking and Other Tests .....	11.2-17

## SECTION 11.3 WELDING QUALIFICATION TESTS

AWS Qualification Tests for Buildings and Bridges .....	11.3-1
Procedure Qualification .....	11.3-1

Weldor Qualification .....	11.3-2
Welding Operator Qualification .....	11.3-6
Radiographic Examination of Welds .....	11.3-7
How to Pass Qualification Tests .....	11.3-8
AWS Prequalified Joints .....	11.3-15
AWS Qualification Tests for Piping and Tubing .....	11.3-15
AR-1 Procedure Qualification .....	11.3-15
AR-1 Weldor Qualification .....	11.3-19
AR-2 Procedure Qualification .....	11.3-20
AR-2 Weldor Qualification .....	11.3-22
AR-3 Procedure Qualification .....	11.3-22
AR-3 Weldor Qualification .....	11.3-23
Procedure and Weldor Qualification for Fillet Welds .....	11.3-23
ASME Boiler and Pressure Vessel Code Qualification .....	11.3-24
Procedure Qualification .....	11.3-25
Weldor Qualification .....	11.3-32
API Qualification Tests for Pipeline Welding .....	11.3-35
Procedure Qualification .....	11.3-36
Weldor Qualification .....	11.3-36



# Weld Quality

In production welding, the term "weld quality" is relative. The application determines what is good or bad. Generally, any weld is a good weld if it meets appearance requirements and will continue indefinitely to do the job for which it is intended. But a weld can be "too good." This is the case when a high degree of quality has been obtained at excessive production cost and the buyer is getting no discernible value from the extra expenditure. Insisting on any method of inspection that serves no function is illogical as well as wasteful.

The first step, then, in assuring weld quality is to ascertain the degree required by the application. A standard should be established based on service needs. Engineering performance will be the main consideration in arriving at the standard, but appearance may also be important. A safety factor must, of necessity, be built into the standard, but it should be reasonable. Once the standard has been set, it is the responsibility of everyone concerned with the job to see that it is followed.

On the low side, the predetermined standard of quality should never be compromised. On the high side, there is no objection to extra quality, providing it has been obtained at no penalty in cost. If tests repeatedly show that the welds are exhibiting a degree of quality far greater than required by the standard, a cost reduction through modification of weldment design or procedures is possible.

Frequently, the standards are preset by prevailing specifications or engineering and legal codes. Sometimes such standards are ultraconservative, but when they apply they must be honored. The engineer can do his company or the customer a service by pointing out unrealistic specifications and the opportunities for cost savings, but the specifications must be adhered to rigidly until revised.

## THE FIVE P'S THAT ASSURE QUALITY

After the quality standard has been established, the most important step toward its achievement is the selection of the best process and procedures. By giving attention to five "P's," weld quality will come about almost automatically, reducing subsequent

inspection to a routine checking and policing activity. The five P's are:

- (1) **Process Selection** — the process must be right for the job.
- (2) **Preparation** — the joint configuration must be right and compatible with the welding process.
- (3) **Procedures** — to assure uniform results the procedures must be spelled out in detail and followed religiously during welding.
- (4) **Pretesting** — by full-scale mockups or simulated specimens the process and procedures are proved to give the desired standard of quality.
- (5) **Personnel** — qualified people must be assigned to the job.

In view of the various automatic and semi-automatic processes available, process selection imposes a challenging decision. Of all the processes, manual welding is the most versatile, but economic considerations necessitate its being ruled out in favor of a partially or fully mechanized process wherever such is applicable. Process selection is tied up integrally with the fill, follow, freeze, and penetration needs of the joint. Each process has its advantages and limitations, and each introduces problems affecting joint preparation, welding procedures, and operator training. The process that gives the correct balance between the needs of the joint in terms of fill, follow, freeze, and penetration is likely to be the one that gives optimum weld quality.

Manual and submerged-arc welded joints enjoy a "prequalified" status. Gas metal-arc and flux-cored arc welded joints are also prequalified, but have strength and thickness limitations. (See AWS Structural Welding Code — D1.1-72.) Deviations from these prequalified joints may be accomplished by running prequalification tests, since practically all codes state that "other welding processes and procedures may be used, provided the contractor qualifies them in accordance with the prescribed requirements."

Joint preparations are standardized and specified by applicable codes. The decision as to joint preparation is made by the designer rather than the fabricator, with the latter usually given the choice of what process and procedures to use to make the weld with the prescribed preparation. Acceptable butt-joint preparations are nothing more than a compromise between the included angle of bevel and the root-spacing dimension. A large included angle will permit a smaller root spacing and, conversely, a small included angle requires a larger root spacing. These and other factors are taken into consideration in prequalified joints. The joint detail influences process selection, electrode size, and welding position. The joint preparation must be correct before welding is started, not only to meet specifications, but to give assurance of weld quality.

Reliable welding procedures are developed through firsthand experience. They should be completely detailed in advance of production work. A full-scale mockup of the joint, using the same type steel, sizes, and shapes that will be used on the job, should be made to test the procedures if such is possible. If a full-scale mockup is infeasible, a simulated setup should be used to produce specimens that can be destructively and nondestructively tested. By trial and error, all the procedure details for making an acceptable weld can be determined.

Pretesting production-size or simulated produc-

tion specimens also tests the process as well as the procedures. Once it has been ascertained that the procedures and the process give the desired quality, such test specimens can also be used as a final check on the qualifications of the operator.

The closer the conditions of test approach conditions of service, the more meaningful the results. The ideal would be service life tests under slightly exaggerated conditions. Since this is usually impractical, simulated service tests are the next best choice. Specimen assemblies may be subjected to radiographic, ultrasonic, or other nondestructive inspection procedures to evaluate the weld quality. Or they may be proof-tested or submitted to destructive tests to determine ultimate limits.

By proper use of process-procedure qualification — backed up by convincing test evidence — final inspection takes on the nature of a quality control activity. This is desirable; the intent should be to make the welding so deadly precise in giving the desired quality that all subsequent inspection is for the detection of the unexpected and unexplained, rather than the explainable defects.

Personnel qualification — the last of the five P's — can be evaluated in a preliminary way by the AWS Operator Qualification Test and the contractor's judgment. If a semiautomatic process is to be used, some experience with it is desirable, or the welder may require training. As mentioned previously, the


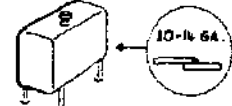
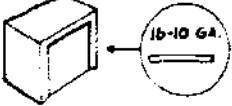
	Common Procedure	Typical Arc Speed	Good Appearance	Free of Surface Holes	Leak-Proof	Free of Undercut	Is Weld Size Considered	Does Weld Meet Service Requirements
 <p>Formed Channels Welded For Undercarriages</p>	3/16 E6012 @ 300-325 Amps	60 in./min	No	No	No	No	No	Yes Note: Members are so designed that intermittent welds of poor quality are sufficient to meet nominal strength requirements.
 <p>Liquid Storage Tanks, Gravity Feed, no Pressure</p>	5/32 E6010-11 @ 150-175 Amps	30 in./min	No	Yes	Yes	No	No	Yes Note: Welds must be leakproof. All other factors are of secondary importance.
 <p>Storage Cabinets — Control Panels, etc.</p>	5/32 E6013 @ 125-135 Amps	20 in./min	Yes	Yes	Yes	Yes	No	Yes Note: Nature of weldment demands good appearance. Any visible defects would not be acceptable.

Fig. 11-1. Each of these welding procedures meets the service requirements of the product and is therefore acceptable. If a low-cost weld does the job, there is no point in demanding a standard of quality that has no value in the product.

welding of test specimens with the selected process and procedures will affirm the operator's capability.

## QUALITY VERSUS ACCEPTABILITY

It is possible for a weld to be of "poor" quality by standards of inspection and judgement, yet perform its job admirably. If that weld is produced at a fraction of the cost of a weld that would be rated high-quality, there is no logical reason for increasing the manufacturing cost to obtain the high-quality weld. Acceptability is, thus, a consideration that must be balanced against the concept of quality in order to control fabrication costs and the cost of the product to the buyer. There is no point in welding a bracket to the undercarriage of a farm machine with a precisely laid, X-ray-quality weld if all the bracket supports is a lightweight dust shield and never in service will the weld be subject to view. If a weld of inferior appearance and strength can be made at a fraction of the cost that serves the function just as well, it is acceptable and just as good for the purpose.

The allowing of "acceptability" however, does not mean the toleration of sloppy or careless work. Rather, it means giving the joint what it needs by the most economical method at the best workmanship likely to prevail under the circumstances.

The formed undercarriage channel shown at the top of Fig. 11-1 is illustrative. Here, the strength requirements are nominal and appearance requirements nonexistent. Intermittent welds are adequate, freedom from defects is unimportant, and weld sizing is not specified. The procedures selected give

welds that satisfy requirements, yet these welds are imperfect by conventional standards. They are produced at a very low unit cost — and no additional value would be realized if better welds were produced at a higher cost.

Similarly, the welds on the liquid storage tank in Fig. 11-1 have undercut and are not of best appearance. They are leakproof, however — and that, plus minimal cost, is all the chicken farmer who purchases the tank to hold kerosene for supplying the heating equipment to a brood house is concerned about. On the other hand, the storage cabinet in Fig. 11-1 must have welds of good appearance. These are obtained at a slower welding speed and an increase in cost.

Even in welds where strength is important something less than perfection may be acceptable. The double-V weld developed by Procedure A in Fig. 11-2 costs \$5.30 per foot and meets code tests. A tensile specimen incorporating it fails in the base metal — proving that the weld is stronger than the metal it joins. But the weld developed by Procedure B at \$1.78 per foot also gives a tensile specimen that fails in the base metal. It doesn't meet code tests — yet there is no evidence to indicate that it should give lesser service than the more costly weld.

## SOME OBSERVATIONS ON WELD DEFECTS

Much of what an inspector is required to pass judgment on does not resolve itself into a *go* or a *no-go* situation. Most X-ray inspection is based on standards that give the inspector a means of comparison to serve as a basis for acceptance or rejection

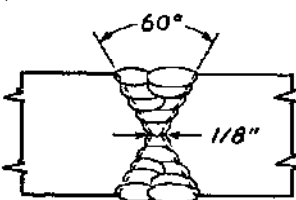
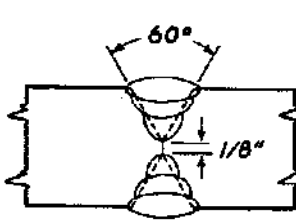
	<p>Procedure "A"</p> <p>5/32 &amp; 3/16 E7018 130 – 225 amps</p> <p>Back-gouged before welding second side</p> <p>(2.8 # elect./ft)</p>	<p>Typical Speed</p> <p>1.25 ft/hr</p>	<p>Cost \$/ft</p> <p>\$5.30/ft</p>	<ol style="list-style-type: none"> <li>1. Clear X-Ray, no defects</li> <li>2. Face, root &amp; side bends will meet code requirements</li> <li>3. Reduced-Section Tensile tests fail in base metal.</li> </ol>
	<p>Procedure "B"</p> <p>5/32 &amp; 3/16 E7024 225 – 325 amps</p> <p>No Back-gouging</p> <p>(1.62 # elect./ft)</p>	<p>Typical Speed</p> <p>4.0 ft/hr</p>	<p>Cost \$/ft</p> <p>\$1.78/ft</p>	<ol style="list-style-type: none"> <li>1. X-Ray shows lack of fusion &amp; scattered porosity.</li> <li>2. Face &amp; root bends O.K. side bend has 1/8" defect before bending.</li> <li>3. Reduced-Section Tensile tests fail in base metal.</li> </ol>

Fig. 11-2. There is no point in paying \$5.30 per foot for a weld when one produced at \$1.78 a foot is stronger than the base metal — unless codes or specifications require the higher, but unusable, quality of the more expensive weld.

and usually are not unrealistic in their demands. The quality demanded is obtainable. On the other hand, these specifications are not loose enough to permit defects that would likely lead to weld failure in service.

Problems arise, however, when a demand is made for much clearer X-rays than the code requires. In some cases, inspectors have insisted that they want perfect X-rays regardless of what the code says. There is doubt that this attitude would prevail if these same people were aware of the facts illustrated in Figs. 11-3 and 11-4. It is an established fact, and one worthy of inspection recognition, that scattered porosity well in excess of that permitted by some codes does not detract from the strength of the joint.

The individual welding operator has a very great responsibility when X-ray quality is required. In addition to being certain he uses the prescribed procedures capable of producing X-ray results, he must be meticulous in his efforts to make every bead as sound as possible. The ordinary effort is not good enough. Closer supervision and higher costs are natural consequences. It literally requires a change of attitude on the part of the weldor to convert from routine commercial welding to welding for X-ray quality. This has been confirmed through expensive experience, especially by contractors who occasionally contract for X-ray work.

One defect an inspector is required to look for is undercutting. Generally this is not troublesome. It is

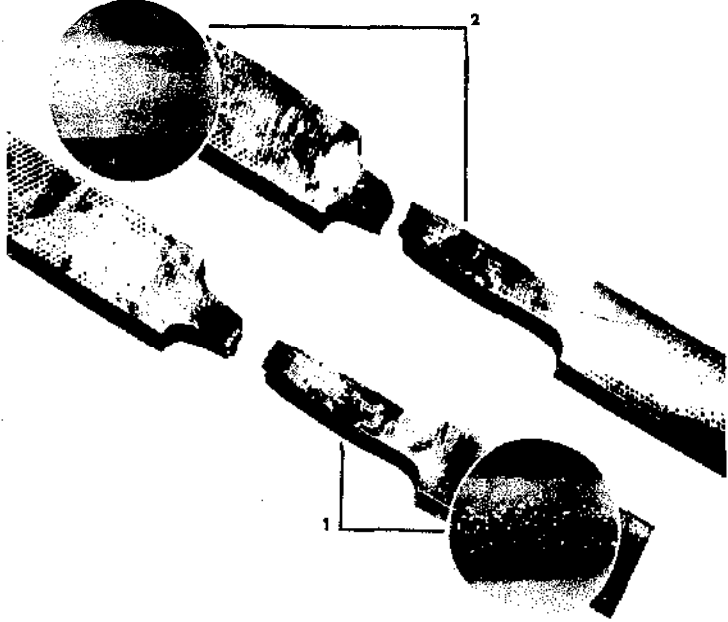


Fig. 11-3. Weld 1 has considerable porosity, as shown by the radiograph (inset). Weld 2 has no porosity. When the specimens were pulled, both broke in the plate at approximately 60,100 psi. In each instance, the weld was stronger than the plate, despite the porosity in the one weld.

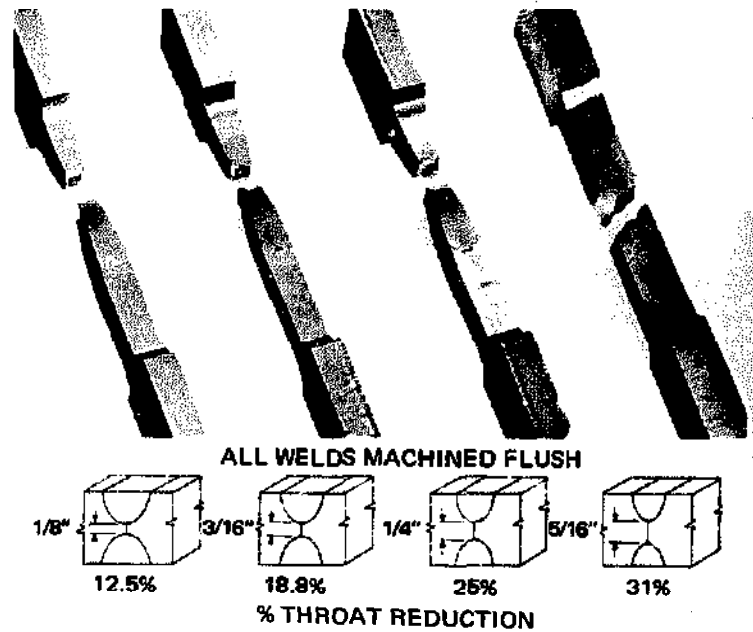


Fig. 11-4. Weld samples made with progressive degrees of lack of fusion. All welds were machined flush before tensile testing. Weld failure finally occurred when the unpenetrated throat dimension reached 31% of the total joint throat. All specimens were made with 1-in. plate, A-36 steel, and E7018 electrode.

almost always prevalent to some degree on the vertical leg of large horizontal fillets. But the mere fact of its existence someplace along the top edge of a 5/16-in. or larger fillet does not mean that the weld is totally unacceptable.

Undercut serves no useful purpose. Therefore, no reasonable effort should be spared to eliminate it or at least minimize it. The greatest control generally lies within the area of procedure details or in the skill of the individual weldor. But despite its undesirable nature, the presence of undercut, except under fatigue loading, is not nearly as damaging as one might suspect, as illustrated by Fig. 11-5. Here

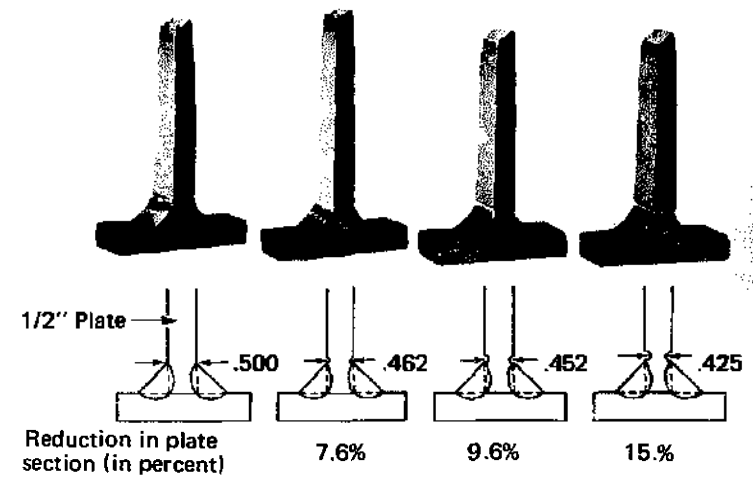
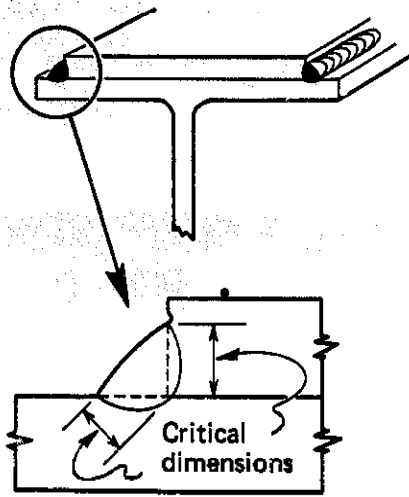


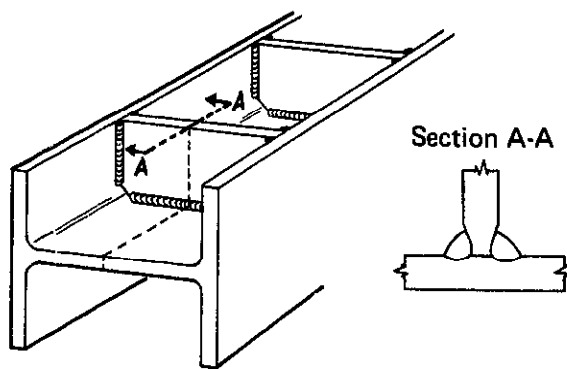
Fig. 11-5. Samples were deliberately prepared to show the effect of undercut. All samples were pulled in tension under a static load. In all cases, failure occurred in the plate and not in the weld.



**Fig. 11-6.** Sketch showing how undercut may occur on a welded cover plate with little or no effect on the strength of the member. The procedure should be controlled to hold undercut to a minimum for reasons of painting and general appearance, but weld performance does not demand complete elimination of undercut.

undercut has been deliberately increased to a ridiculous degree on both sides of a fillet weld. Yet the strength of the joint under static loading has not been impaired. Obviously, it does not make sense to demand repair of a little undercut on the average weldment.

In many instances, undercut is so oriented that it can only affect appearance and not weld performance. The weld joining the cover plate and the flange of a beam in Fig. 11-6 is an example. Stiffeners welded to the web of a beam provide another example. This weld is almost certain to be made with the beam positioned as illustrated in Fig. 11-7. There is good reason to discourage undercutting the web. The weld position, however, forces any under-



**Fig. 11-7.** In shop-fabrication, stiffeners are normally positioned horizontal during welding. Any undercut is in the stiffeners — not in the web — where it is not detrimental to weld performance. Yet, some inspection standards demand 100% elimination of undercut — a stipulation difficult to justify technically, but one that adds to fabrication cost.

cut to occur in the stiffener and not the web. Undercut would detract from appearance, but would not interfere with the stiffener's performance.

Another defect controlled by standards and sometimes questionable, is the weld crater. Any arc-welding process or procedure produces a weld crater. The ability to fill this crater at the termination of a weld varies considerably with the welding current, weld size, and other factors. If these limitations are understood, and service requirements of the joint are considered, it should not be difficult to decide whether a crater must be filled.

Most codes make a general statement regarding crater filling. The AWS Structural Code D1.1-72 states in paragraphs 8.15.1.3 and 9.25.1.3: "All craters shall be filled to the full cross section of the weld."

These two statements appear harmless enough and, in fact, present no problem on long continuous welds. In this case, the start of each weld fills the crater left by the previous weld — a technique that any welder can easily master. The only crater requiring special attention would be the final one at the end of the joint.

What happens on intermittent welds is entirely different. An example is the production of 5/16-in. fillet welds, each 3 in. long and spaced on 12-in. centers. A typical production welding procedure would specify the use of 1/4-in. electrode. But any procedure that will efficiently produce a sound weld of the required size will most certainly develop a pronounced crater that is very difficult to eliminate.

Strict adherence by the inspector to the code will require the welder to change his procedure to one that is more conservative and calls for smaller-diameter electrodes, lower currents, slower travel speeds, or even changing to another electrode type having a slower deposition rate. An alternate approach would require the welder to use a back-stepping method to fill the crater, which rarely produces a sound crater. In either case, the net result has a detrimental affect on weld speed and weld cost.

Where intermittent welds are acceptable, it would be more logical to require that the weld length be the total length exclusive of the crater. Thus, if 6-in. welds are required, they should measure 6 in. plus the crater. Then, the inspector's only concern with respect to craters would be to make sure they are free of cracks and undercut.



Visual inspection of this self-shielded flux-cored electrode automatic weld indicates good quality.

# Inspection and Testing

Whatever the standard of quality, all welds should be inspected, even if the inspection involves no more than the weldor glancing back over his work after running a bead. Testing may also be required, even in relatively rough weldments — such as leak-testing a container for liquids.

Inspection determines whether the prescribed standard of quality has been met. This function may be the responsibility of the welding supervisor or foreman, a special employee of the company doing the welding, or a representative of the purchasing organization. The formal welding inspector may have a variety of duties. These may begin with interpretation of drawings and specifications and follow each step to the analysis of test results. His operations are both productive and nonproductive — depending on where they are applied.

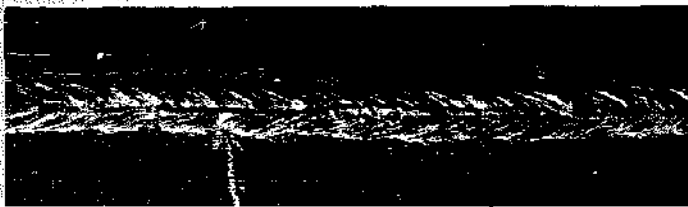
Inspection after the job is finished is a policing action, rather than a productive function. Important as it is to assure quality, it is a burden added to the over-all production cost. No amount of after-the-job inspection will improve the weld; it merely tells what is acceptable and what must be reworked or rejected.

Inspection as the job progresses is a different matter. It detects errors in practice and defects while correction is feasible. It prevents minor defects from piling up into major defects and leading to ultimate rejection. Inspection while weld quality is in the making and can be controlled may justifiably be looked upon as a productive phase of cost, rather than an overburden.

Any program for assuring weld quality should, therefore, emphasize productive inspection and attempt to minimize the nonproductive type. This should be the guiding philosophy, even though its implementation may fall short. In most cases, such a philosophy means that visual inspection will be the main method of ascertaining quality, since it is the one method that can be applied routinely while the job is in progress.

## VISUAL INSPECTION DURING THE WORK

In a sense, everyone connected with the job, as well as the formal inspector, participates in visual inspection. A conscientious worker does not knowingly pass on work in which he recognizes defects of



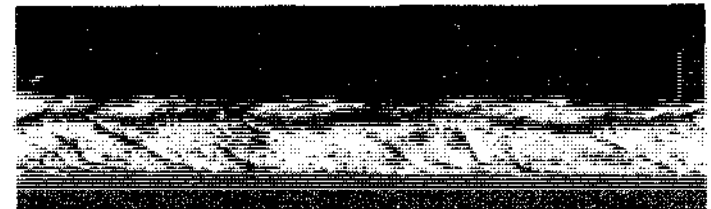
**Cracking** — can be detected visually unless the cracks are internal or are very fine. It is usually associated with excessively high current, insufficient preheat, insufficient bevel angle and/or highly restrained joints.



**Surface Slag Inclusions** — are usually clues to faulty technique. Improper electrode manipulation, improper electrode size or too steep a downhill angle are typical possibilities.



**Surface Porosity** — is often caused by excessive speed, rusty or dirty plate, wet electrode or flux, insufficient flux coverage, or critical arc-blow conditions.



**Undercut** — results from poor procedural selections — may be due to too large an electrode or excessive current, voltage, or arc speed.

Fig. 11-8. Several types of defects that can be recognized visually.

his making. Nevertheless, it is usually desirable that someone be assigned responsibility for quality checking each operation. The tools for visual inspection are simple — a pocket rule, a weld-size gage, a magnifying glass, and sometimes a straight edge and square for determining straightness, alignment, and perpendicularity.

Visual inspection should begin before the first arc is struck. The materials should be examined to see if they meet specifications for quality, type, size, cleanliness, and freedom from defects. Foreign matter — grease, paint, oil, oxide film, heavy scale — that could be detrimental to the weld should be removed. The pieces to be joined should be checked for straightness, flatness, and dimensions. Warped, bent, improperly cut, or damaged pieces should be ordered for repair or rejected. Alignment and fitup of parts and the fixturing should be scrutinized. Joint preparation should be checked. Often, little more than a passing glance is required in this preliminary inspection, but, despite its almost casual nature, such inspection can be a significant factor in weld quality.

Inspection prior to welding also includes verification that the correct process and procedures are to be employed — that the electrode type and size and the equipment settings for voltage and amperage are as specified — and that provisions are made for the required preheat or postheat.

Assuming the preliminary requirements are in good order, the most productive inspection will take place while the weldment is being fabricated. Examination of a weld bead and the end crater may reveal quality deficiencies such as cracks, inadequate penetration, and gas and slag inclusions to a competent inspector. Figure 11-8 shows several types of defects that can be recognized visually.

On simple welds, inspection of a specimen at the beginning of the operation and periodically as the work progresses may be adequate. When more than

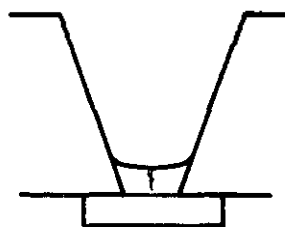


Fig. 11-9. The root pass in a multipass groove weld is especially susceptible to cracking because of the high shrinkage stresses.

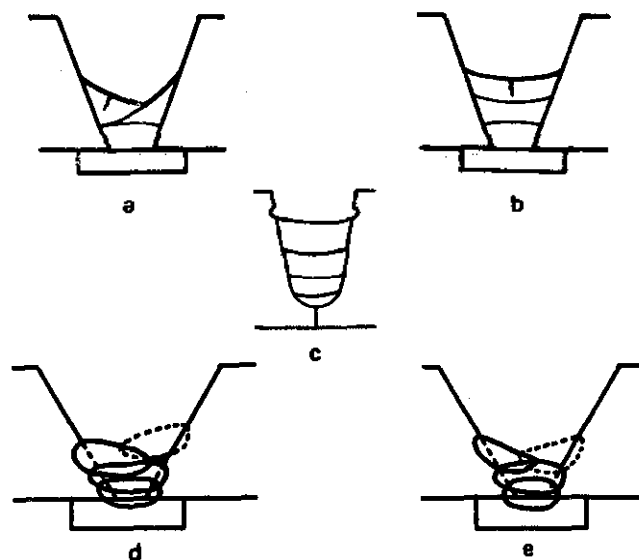


Fig. 11-10. The concave bead shape in (a) and (b) is partly responsible for the cracks. Groove welds are also prone to undercut along the edges, (c), which can trap slag when the next pass is made. Slag trapping can also be caused by a convex bead when there is too little space between the edges of the bead and the side of the joint (d). The correct bead shape is illustrated in (e). These defects should be corrected before welding progresses.

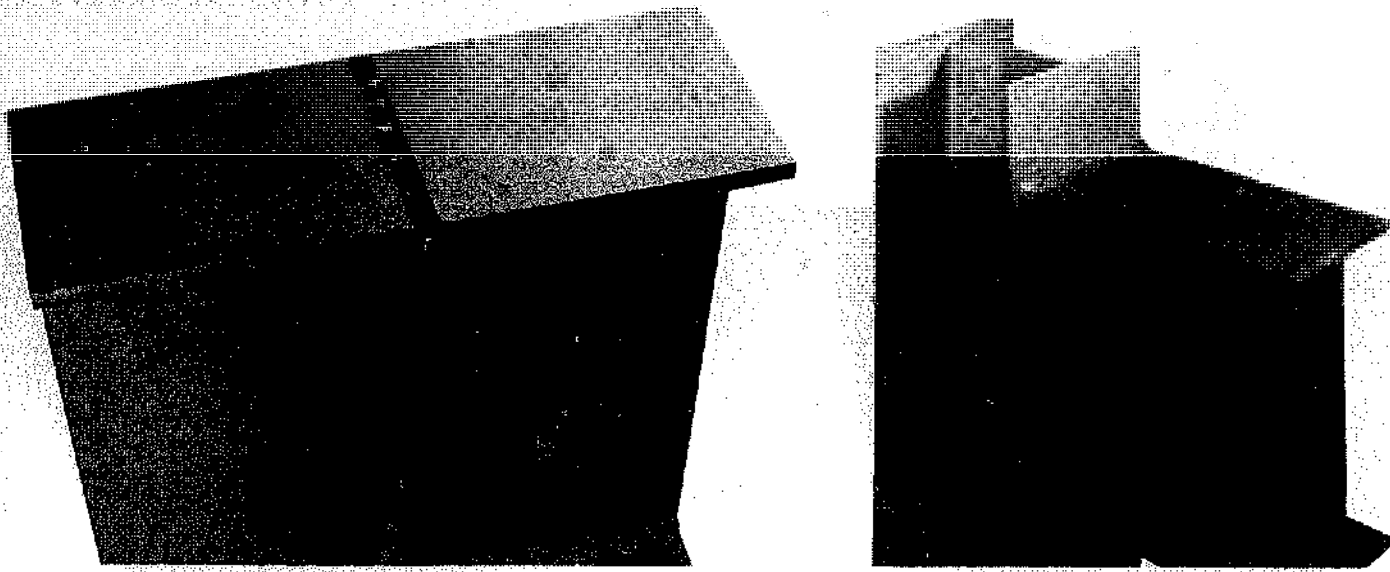
one layer of filler metal is deposited, however, it may be desirable to inspect each layer before a subsequent layer is placed.

The root pass in a multipass weld is the most critical one from the standpoint of weld soundness. It is especially susceptible to cracking (Fig. 11-9), and, because it tends to solidify quickly, is prone to trap gas and slag. Subsequent passes are subject to a variety of weld defect-creating conditions that result from the shape of the weld bead or change in the configuration of the joint (Fig. 11-10). These can be visually detected by the weldor and repair cost minimized if the problem is corrected before welding progresses.

A workmanship standard, constructed for the specific purpose, can be helpful both to the weldor and the inspector in visually appraising the production weld during the stages of its formation. Representative workmanship standards are shown in Fig. 11-11.

Visual inspection at an early stage of the fabrication will also detect underwelding and overwelding. Underwelding (Fig. 11-12) is in violation of specifications and cannot be tolerated. Overwelding should be of as much concern to the purchaser's inspector as to those members of the shop responsible for monitoring costs, since it is a major cause of distortion. Usually the designer has specified a weld size approaching the limit possible in good practice. The weldor — perhaps wanting to make certain that the





**Fig. 11-11.** Mockup welds constructed as workmanship standards. Such mockups serve a variety of useful purposes. They are helpful to the weldor and the inspector in visually appraising the production weld during the stages of its formation. In addition, they give a check on the welding procedures before the procedures are put to work on the production floor, and they provide assemblies on which non-destructive tests can be made, or from which destructive test specimens can be taken, to assure that the procedures give the required weld quality.

joint is strong enough, or having been criticized for making undersize welds — takes it upon himself to add 1/16 in. to a 1/4-in. fillet. Since the weld metal deposited increases as the square of the size, the 1/16-in. increase in leg size increases the amount of weld metal deposited 56%, and has the same effect on shrinkage stress and cost. Figure 11-12 illustrates how overwelding gives this exponential increase.

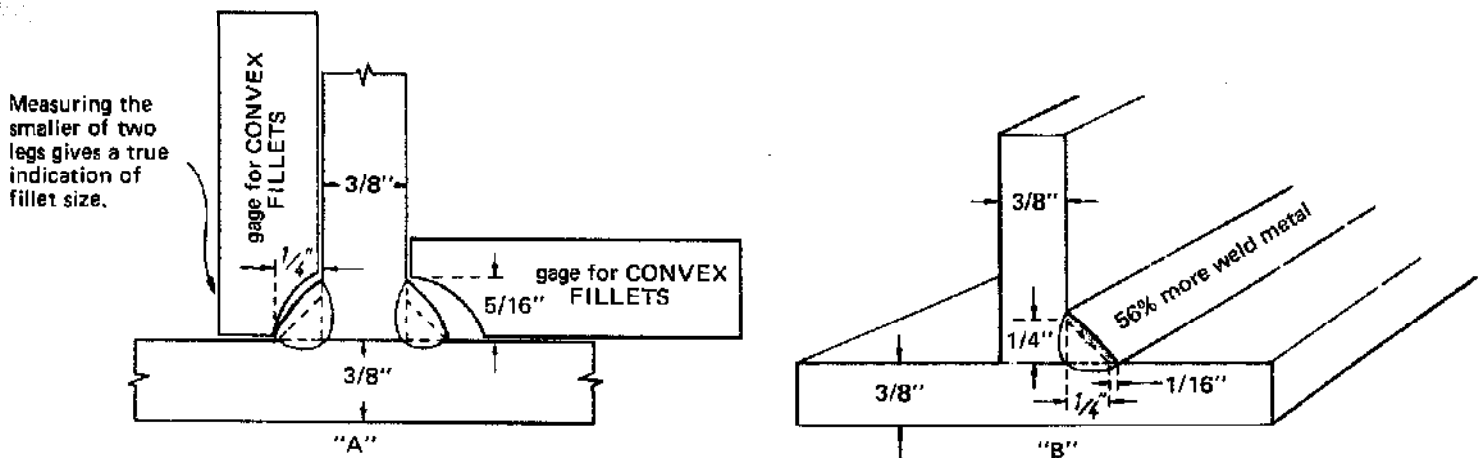
**VISUAL INSPECTION AFTER WELDING**

Visual inspection after the weldment has been completed is also useful in evaluating quality, even if ultrasonic, radiographic, or other methods are to be

employed. Here, as with visual inspection as welding progresses, surface flaws such as cracks, porosity, and unfilled craters can be detected, and may be of such consequence that repairs are required or the work is rejected without use of subsequent inspection procedures. There is no point in submitting an obviously bad weld to sophisticated inspection methods.

Dimensional variations from tolerances, warpage, and faults in appearance are detected visually at this stage. The extent and continuity of the weld, its size, and the length of segments in intermittent welds can be readily measured or noted.

Welds must be cleaned of slag to make inspection for surface flaws possible. A glass with a magni-



**Fig. 11-12.** Underwelding is a violation of specifications and cannot be tolerated, whereas overwelding is costly and serves no useful purpose. If 5/16-in. fillet welds were specified in "A", these welds would be undersize. If 1/4-in. fillet welds were specified, these welds would be overwelded. If 1/16-in. were added to both legs, as in "B", the weld volume would increase 56% and increase the cost of welding.

**TABLE 11-1. Reference Guide to Major Methods for the Nondestructive Testing of Welds**

INSPECTION METHOD	EQUIPMENT REQUIRED	ENABLES DETECTION OF	ADVANTAGES	LIMITATIONS	REMARKS
VISUAL	Magnifying Glass Weld-size gauge Pocket rule Straight edge Workmanship standards	Surface flaws — cracks, porosity, unfilled craters, slag inclusions.  Warping, underwelding, overwelding, poorly formed beads, misalignments, improper fitup.	Low cost  Can be applied while work is in process, permitting correction of faults.  Gives indication of incorrect procedures.	Applicable to surface defects only.  Provides no permanent record.	Should always be the primary method of inspection, no matter what other techniques are required.  Is the only "productive" type of inspection. Is the necessary function of everyone who in any way contributes to the making of the weld.
RADIOGRAPHIC	Commercial X-ray or gamma units, made especially for inspecting welds, castings, and forgings.  Film and processing facilities.  Fluoroscopic viewing equipment.	Interior macroscopic flaws — cracks, porosity, blow holes, non-metallic inclusions, incomplete root penetration, undercutting, icicles, and burnthrough.	When the indications are recorded on film, gives a permanent record.  When viewed on a fluoroscopic screen, a low-cost method of internal inspection.	Requires skill in choosing angles of exposure, operating equipment, and interpreting indications.  Requires safety precautions. Not generally suitable for fillet-weld inspection.	X-ray inspection is required by many codes and specifications.  Useful in qualification of weldors and welding processes.  Because of cost, its use should be limited to those areas where other methods will not provide the assurance required.
MAGNETIC-PARTICLE	Special commercial equipment.  Magnetic powders — dry or wet form; may be fluorescent for viewing under ultraviolet light.	Excellent for detecting surface discontinuities — especially surface cracks.	Simpler to use than radiographic inspection.  Permits controlled sensitivity.  Relatively low-cost method.	Applicable to ferromagnetic materials only.  Requires skill in interpretation of indications and recognition of irrelevant patterns.  Difficult to use on rough surfaces.	Elongated defects parallel to the magnetic field may not give pattern; for this reason the field should be applied from two directions at or near right angles to each other.
LIQUID-PENETRANT	Commercial kits, containing fluorescent or dye penetrants and developers.  Application equipment for the developer.  A source of ultraviolet light — if fluorescent method is used.	Surface cracks not readily visible to the unaided eye.  Excellent for locating leaks in weldments.	Applicable to magnetic, nonmagnetic materials.  Easy to use.  Low cost.	Only surface defects are detectable.  Cannot be used effectively on hot assemblies.	In thin-walled vessels, will reveal leaks not ordinarily located by usual air tests.  Irrelevant surface conditions (smoke, slag) may give misleading indications.
ULTRASONIC	Special commercial equipment, either of the pulse-echo or transmission type.  Standard reference patterns for interpretation of RF or video patterns.	Surface and subsurface flaws, including those too small to be detected by other methods. Especially for detecting subsurface lamination-like defects.	Very sensitive.  Permits probing of joints inaccessible to radiography.	Requires high degree of skill in interpreting pulse-echo patterns.  Permanent record is not readily obtained.	Pulse-echo equipment is highly developed for weld inspection purposes.  The transmission-type equipment simplifies pattern interpretation where it is applicable.

fication of up to 10 diameters is helpful in detecting fine cracks and other defects. Shotblasting should not be used in preparing the weld for examination, since the peening action may seal fine cracks and make them invisible.

The objective of visual inspection at this stage is not only to seek defects not permissible under the quality standard, but also to give clues to what may be amiss in the entire fabrication process. If the inspector has a sound knowledge of the welding, he can read much from what he sees. Thus, the presence of excessive porosity and slag inclusions may be a tip-off to the fact that the current is not adequate, no matter what the dial readings may be. Subsequent tests will also give clues to faults in equipment or procedures, but the information acquired through visual examination permits corrections to be made before the results from complicated tests are available.

**OTHER INSPECTION METHODS**

Only the surface defects in welds are visible to the eye, and the specifications or applicable codes may require that the internal portion of the weld and the adjacent metal zones also be examined. Additionally, the application may require assurance that the chemical composition of the weld metal has not changed beyond specified limits. Thus, other inspection methods capable of gathering such information may be necessary.

These methods may be destructive or nondestructive. Destructive methods, obviously, cannot apply to production fabrication, other than for the testing-to-destruction of prototypes, "first units," or sparsely selected samples. In large weldments — building framing, for example — their use would be out of the question, but in an airframe component a periodic test-to-destruction may be regarded as essential to assurance of quality.

Nondestructive methods of testing welds include radiographic, ultrasonic, magnetic-particle, and penetrant techniques. Proof testing is a mechanical method of determining whether the weld and other parts of the fabrication will withstand certain stresses encountered in service.

Chemical and metallographic methods of inspection may be completely nondestructive or destructive in a very minor way and to a repairable extent. If a sample for chemical or metallographic analysis is taken from a run-out portion of the weld bead, there is no damage; if a core drill is used to remove the sample from the weld proper, a hole results that

must be repaired.

Table 11-1 is a condensed reference guide to the use of various nondestructive inspection methods on steel weldments, and Table 11-2 shows a simplified scheme for determining the inspection method recommended for fillet and butt joints.

It should be noted that nondestructive proof of the existence of a flaw does not measure its influence on the serviceability of the product. Only destructive tests have the potential for giving such information. Presumably, the specification or code requiring the nondestructive test is based on a correlation between the flaw and some characteristic affecting service. If such correlations have not been established, the nondestructive test may well give nothing more than someone's opinion as to what is good or bad.

The tendency in all matters pertaining to welded structures is to overdo factors affecting strength and safety, which means that flaws unlikely to influence serviceability may be the cause for rejection of the weld. In highly critical engineering structures, this overly cautious approach is justifiable, but in less critical applications some relaxation in the demands for flawless welds may be in order. Both laboratory destructive tests of segments of fabricated structures and tests-to-destruction of whole units where size and cost permit are useful in determining how much significance should be attributed to nondestructively revealed flaws. Also the judgments of skilled and experienced interpreters of nondestructive data may be invaluable when a correlation between the flaw and serviceability has not been established.

**TABLE 11-2. Inspection Methods for Fillet and Butt Joints**

RECOMMENDED INSPECTION FOR:		
TYPE OF DEFECT	FILLET JOINTS	BUTT JOINTS
Undersize Weld	Visual (1)	Visual
Surface Porosity	Visual	Visual
Internal Porosity	Destructive	Radiographic
Undercut	Visual	Visual
Cracks	Magnetic-Particle Dye-Penetrant Visual Destructive (2)	Magnetic-Particle Dye-Penetrant Visual Ultrasonic Radiographic (3)
Lack of Penetration	Destructive Ultrasonic	Radiographic Ultrasonic
Slag Inclusions	Destructive Ultrasonic	Radiographic Ultrasonic

(1) Use fillet gages.  
 (2) Destructive test will reveal subsurface cracks.  
 (3) Radiographic inspection has its limitations in revealing crack-type defects.

If, however, the code or specification demands that a weld be rejected or repaired because of a discovered flaw, that code or specification must be followed.

## RADIOGRAPHIC INSPECTION

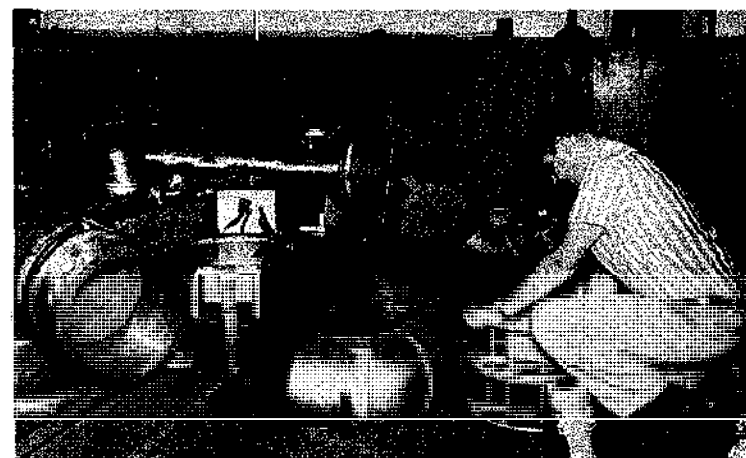
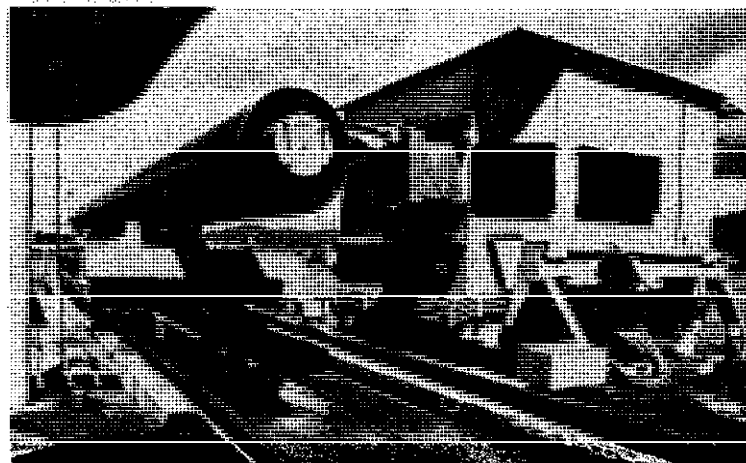
Radiographic inspection is one of the most widely used techniques for showing the presence and nature of macroscopic defects and other discontinuities in the interior of welds. This test method is based on the ability of X-rays and gamma rays to penetrate metal and other opaque materials and produce an image on sensitized film or on a fluorescent screen. The term "X-ray quality," widely used to imply high quality in welds, arises from the inspection method.

X-rays, which have a wavelength  $1/10,000$  that of visible light, are produced by high-voltage generators. The depth to which the opaque material can be penetrated depends on the power of the generator. Portable units rated up to 2,000 kilovolts are available and used in weld inspection. The higher-power machines, operating between 1,000 and 2,000 kilovolts, will penetrate from five to nine inches of steel.

Gamma rays are produced by the atomic disintegration of radioisotopes. They are similar to X-rays, except the wavelength is usually shorter than those X-rays produced with lower-voltage equipment. X-rays generated at 1,000 kilovolts or higher, for all practical purposes, appear to be identical to the gamma rays produced by radioisotopes. While the short wave lengths of gamma rays allow penetration to considerable depth, exposure times required to get an interpretable picture are usually many times longer than with X-rays, because of the lower intensity of the radiation. The level of radiation is directly proportional to the amount of the radioisotope used.

When X-rays or gamma rays are directed at a section of a weldment, not all of the radiation gets through the metal and to the film placed behind it. Some is absorbed, and the denser or thicker the metal, the greater the absorption. Should there be a cavity in the weld interior, such as a blow-hole or internal crack, the radiation will have less metal to pass through than in a sound weld. Consequently, there will be less absorption in the defective area and a greater amount of radiation striking the film. After development, the defect will show up in its shape and size as a black or darker area on the film.

The image picture is called a radiograph. Radio-



*Photo courtesy of Picker X-ray Corporation*

**Fig. 11-13.** Top photograph, an X-ray image intensifier used to inspect the linear welds in a pipe 40-ft. long. The pipe diameter can be up to approximately 36-in. in diameter. The operator is seated in his radiation-shielded, air-conditioned cabin and views the pipe as it passes at speeds up to 40-ft. per minute.

Center photograph, a portable 160-KV Andrex unit being used in the field to radiograph a circumferential butt weld on a natural gas line. The power for the unit is supplied from a generator mounted on a truck.

Bottom photograph, a mobile Cobalt-60 unit being used to radiograph circumferential welds in sections of special pipes. The unit requires no power and can hold up to 5 curies of Cobalt 60.

graphs made with X-rays are referred to as exographs; those made with gamma rays, as gammagraphs.

Radiographic equipment typical of that used for inspection purposes in production welding is shown in Fig. 11-13. These commercially available units require careful following of instructions for their proper use. Persons responsible for radiographic inspection should make themselves thoroughly familiar with the equipment, reading carefully the manufacturer's literature and giving due attention to recommended usage, details of operation, applicable films, and safety precautions. An understanding of principles of X-ray generation, radioisotope decay, and film sensitization and development should be acquired by the professional inspector or radiographic technician and will be helpful in his work.

In the shop or field use of radiographic equipment, the parameters affecting the reliability and interpretative value of the image are sharpness and contrast. Radiographic methods should give a "sensitivity" of at least 2%. The term sensitivity is used to denote the least percentage of difference in weld thickness that can be detected visually on a radiograph. The ability of an observer to detect such a thickness difference depends on the sharpness of outline of the image and its contrast with the background. Thus, if a fine crack is to be observable as a crack, its image must be outlined enough to give a recognizable form and must so contrast with the background that no question arises as to the presence of a discontinuity.

It can be easily seen that a radiograph could be

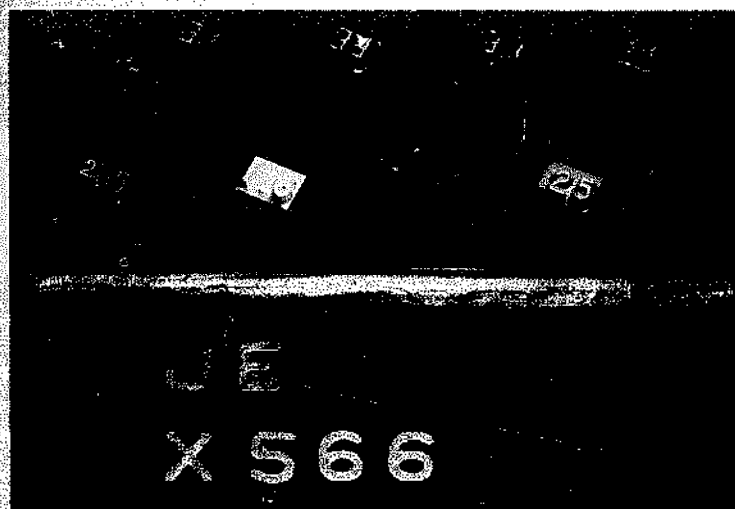


Fig. 11-14. Penetrameters, such as these, are tools that the X-ray technician uses in his trade. The lead letters and numbers are used to permanently identify the X-ray picture. Penetrameters, available in various thicknesses, are matched to the thickness of the material being examined and establish the sensitivity of the X-ray picture.

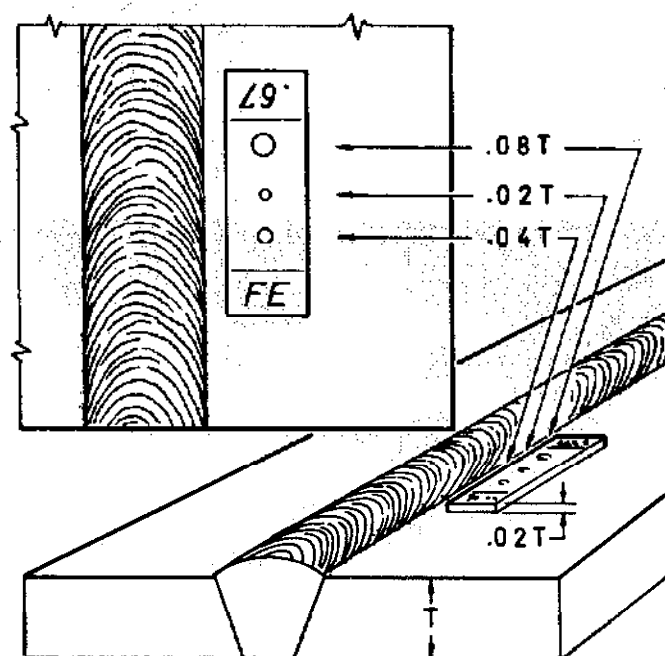
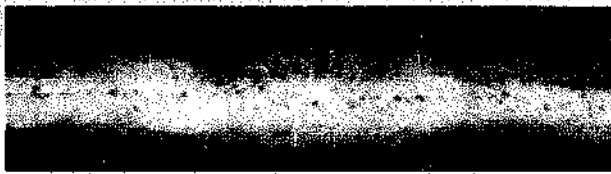
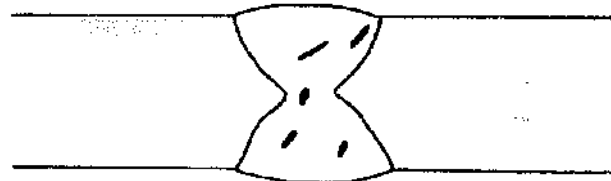


Fig. 11-15. Placement of a penetrameter alongside the weld before subjecting to the X-ray source gives assurance that the 2% sensitivity required for detecting flaws is obtained. The shadow of the penetrameter on the developed film is positive proof that a 2% or less thickness registers, since it adds 2% or less to the thickness of metal penetrated by the radiation. The lead thickness identification number on the penetrameter will stand out plainly on the film, since lead is highly impermeable to X-rays. The holes in the penetrameter have diameters of .08T, .02T, and .04T to evaluate film contrast and definition.

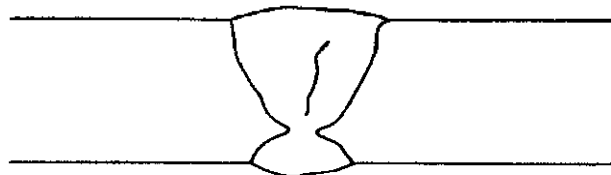
so much off in sharpness and contrast that it would fail to reveal a defect. To be sure that this doesn't happen, a gage known as a penetrameter is used on the side of the weld away from the film. Figure 11-14 shows typical penetrameters. An ASME Boiler Code Penetrameter is a thin strip of metal with the same absorption characteristics as the weld metal. When a weld is to be X-rayed, a penetrameter with a thickness equal or less than 2% of the weld thickness is selected (see Fig. 11-15). A lead numeral at one end shows the thickness of weld for which the penetrameter is to be used. For reference purposes, three holes are drilled in the face of the gage, the diameters of which are multiples of the penetrameter thickness. The appearance of the image of the penetrameter on the radiographic film tells the observer whether he has the minimum of 2% sensitivity and adequate sharpness and contrast for meaningful interpretation. In the hands of a skilled inspector, use of the penetrameter also gives other items of information. Sharp image delineation gives assurance that the radiographic procedure is correct. The presence of a penetrameter image is also evidence that can be presented at any time later to prove that the weld was radiographed properly.



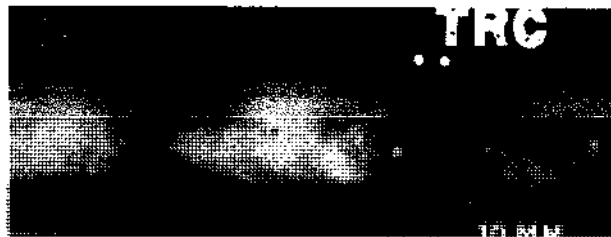
**Porosity** is shown as rounded shadows of varying size and density, occurring singly, in clusters, or randomly scattered.



**Nonmetallic Inclusions** are usually indicated by elongated shadows of irregular shape, occurring singly, in a linear distribution, or scattered randomly.

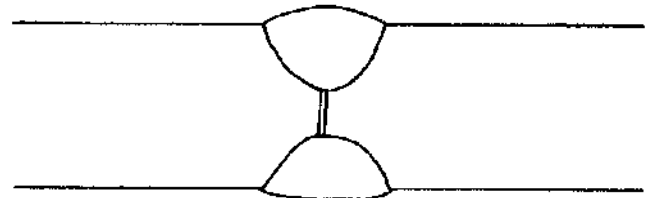


**Cracks** appear as fine, dark lines, which may be straight or wandering.

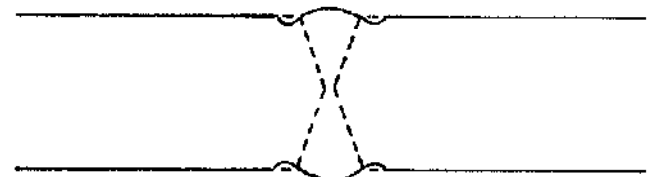
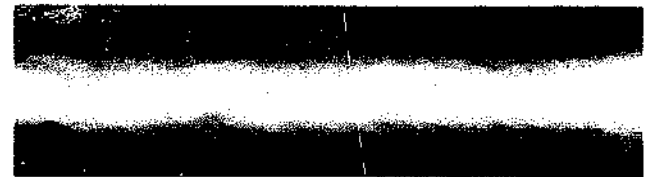


**Incomplete Fusion** gives dark shadows, usually of elongated shape.

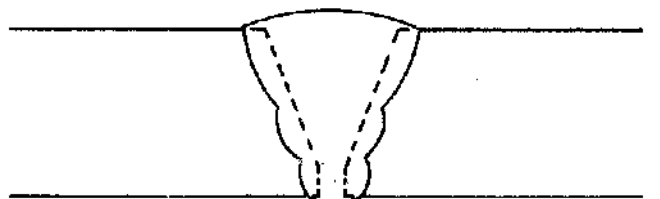
**TABLE 11-3. Radiographs of Weld Defects**



**Incomplete Root Penetration** is usually indicated as a straight, dark, continuous or intermittent line, often at the center of the weld.



**Undercutting** shows up as a dark, linear shadow of wavy contour, occurring adjacent to the edge of the weld. This defect is usually detected visually, but its correct identification on the radiograph is needed to prevent misinterpretation as another type of defect.



**Icicles and Burnthrough** give individual light circular indications or darkened areas of elongated or rounded contour that may be surrounded by light rings.

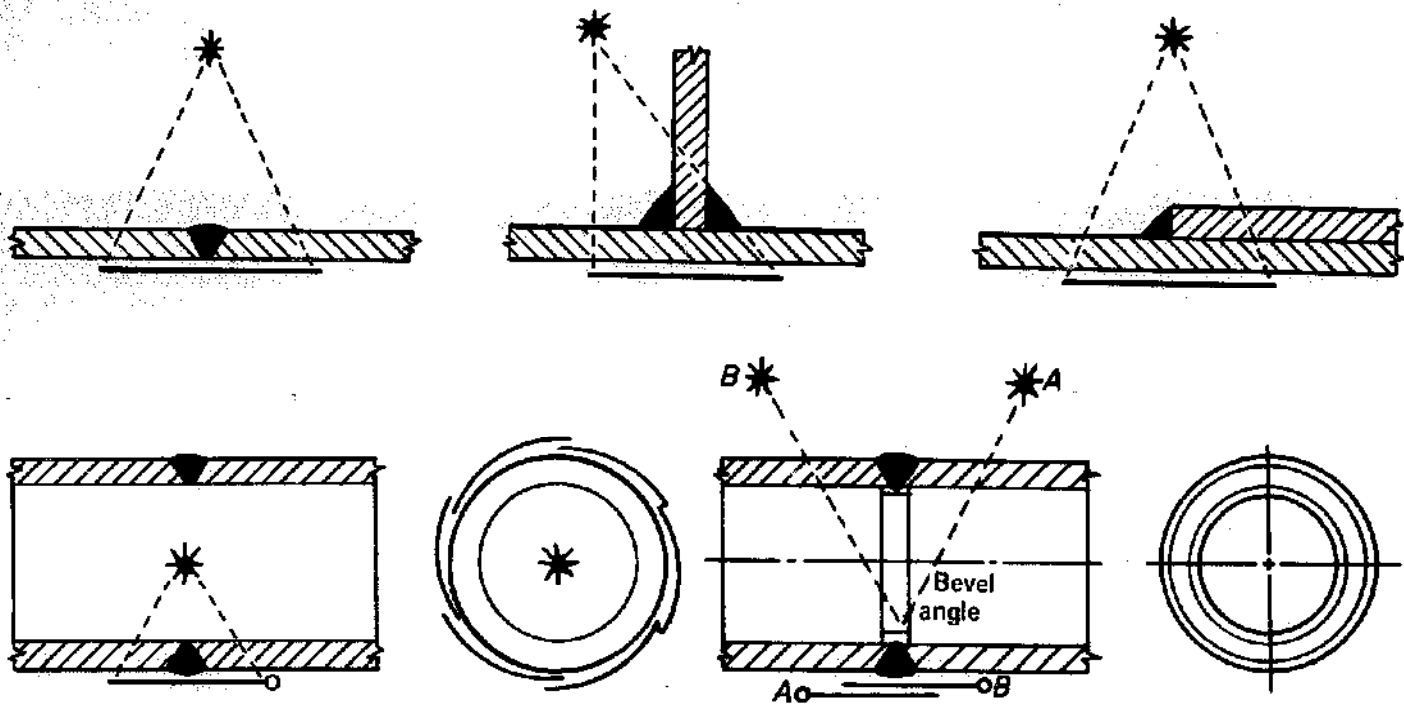


Fig. 11-16. Typical arrangements of X-ray source and film in radiography of welds. The angle of exposure and the geometry of the weld influence interpretation of the negative. Note that multiple exposure may be necessary for pipe welds. Of the several welds shown above, fillet welds are the most difficult to x-ray and the most difficult to interpret.

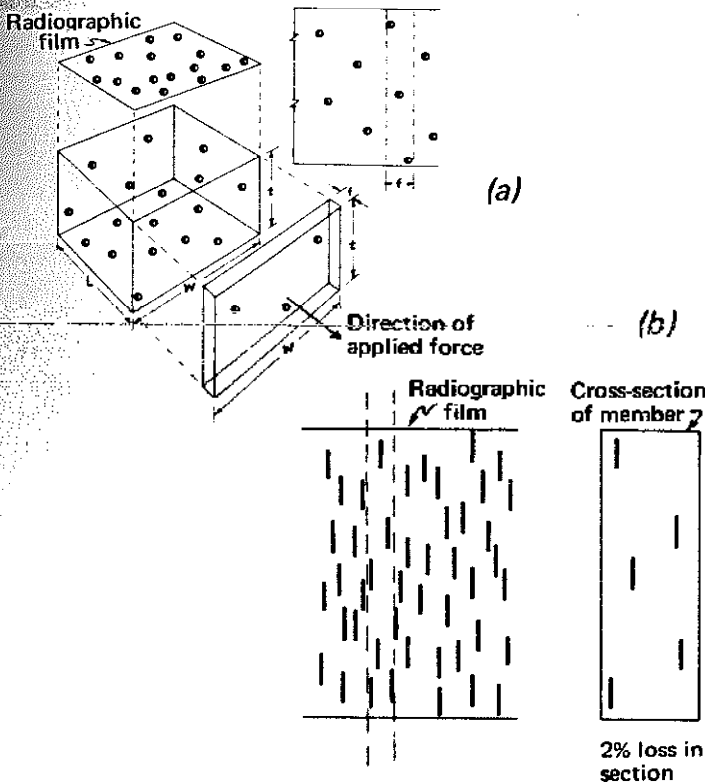


Fig. 11-17. Because a radiographic film accumulates all indications of defects occurring throughout a weld in one plane, its interpretation can be deceptive. The radiographic patterns here look bad, but if a slice, such as  $W1f$ , is examined it is seen that it contains only a few small defects. Final judge of acceptance, in any case, is the standard to which the weldment is made. These standards vary with plate thickness.

Radiographs show a variety of weld defects. Some of the most common ones are illustrated by the reproduced radiographs in Table 11-3.

An inspector's ability to recognize defects and identify them is largely a matter of experience. Film-handling marks and streaks, fog, and spots caused by errors in the film-developing procedure complicate identification. Surface defects will also show on the film and must be recognized.

The angle of exposure has an influence on the radiograph. Some typical arrangements for radiography of welds are shown in Fig. 11-16.

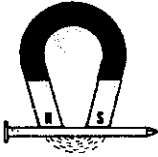
An X-ray picture of the interior of a weld may be viewed on a fluorescent screen as well as on developed film. This makes possible rapid, low-cost inspection, but definition is poorer.

A radiograph compresses into one plane all the indications of defects that occur throughout the weld. Thus, the radiograph tends to give an exaggerated impression of scattered types of defects, such as porosity or inclusions. Unless allowance is made for this fact, particularly on thick plates, a weld that is entirely adequate for its function could be ruled defective.

In Fig. 11-17(a), the volume  $LWt$  contains a number of distributed particles or spots of porosity. On the radiographic film, these appear to exist in a single plane — which could be interpreted as evidence of an excessive number of particles or voids in

## CIRCULAR MAGNETIZATION

## OPEN MAGNET



1.

An open magnet has two poles: North and South. The magnetic field between the two poles will attract and hold a nail.

## PARTIALLY CLOSED MAGNET

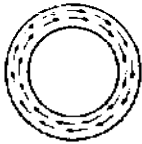


2.

Bend the ends of the open magnet until they almost touch and the magnetic field between the poles will hold iron powder.

## COMPLETELY CLOSED MAGNET

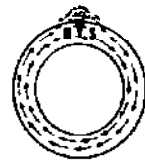
## MAGNET



3.

Bend the magnet until its completely closed and fuse the ends. Now the magnet will not attract or hold iron powder because there is no polarity and the magnetic field is in a circle inside the ring. **THIS IS CIRCULAR MAGNETIZATION.**

## CRACKED MAGNET



4.

A crack part way through the magnet will cause polarity and a magnetic field at the crack, which will hold iron powder and build up an indication of the crack. **THIS IS THE PRINCIPLE OF MAGNAFLUX INDICATIONS BY MEANS OF CIRCULAR MAGNETIZATION.**

*Photo courtesy of Magnaflux Corporation*

**Fig. 11-18.** A discontinuity, such as a crack, in a completely closed magnet causes polarity and the development of a magnetic field, which will hold iron powder and give an indication of the discontinuity.

some section of the volume. When the slice Wtf, however, is cut from the volume, it is seen that it contains only three spots. Any failure due to an applied force would have to occur in some finite section. The three tiny particles or voids in this sample are unlikely to predetermine or accelerate failure. Thus, the radiographic picture of this condition is misleading.

Figure 11-17(b) is another illustration of the same effect. Because the streaks throughout the member are accumulated on the radiographic film, one might gain the impression that they constitute a sizeable proportion of the material. But when a section is removed and viewed from a different direction, it is seen that the streaks take up only a minute percentage of the cross section.

Radiography is useful in the qualification of weldors. The individual's ability to produce welds

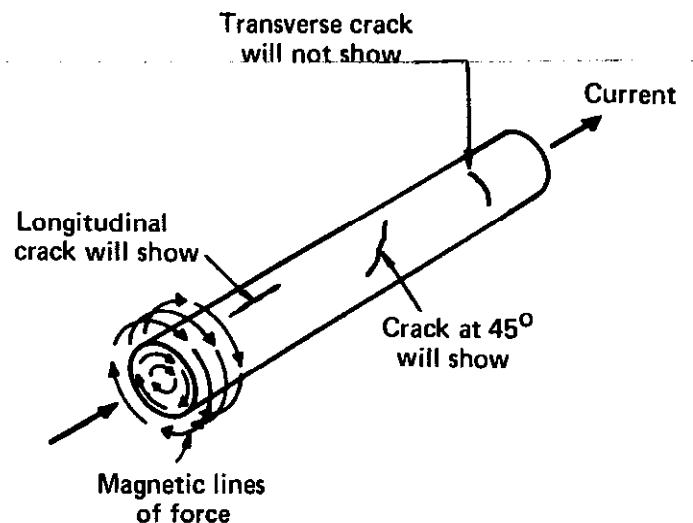
conforming to specification requirements is readily determined by an examination of welds produced on test plates. The procedure is also useful in evaluating processes proposed for a particular application. When radiography is required by the specifications governing the welding, written procedures for radiography are usually included. In this way, the purchaser exercises control over the inspection and specifies exactly what is wanted to meet his requirements.

Since radiation from X-ray machines or radioisotope sources can be damaging to body tissue when the exposure is excessive, safety precautions must be taken. The American Standard Safety Code for the Industrial Use of X-rays should be consulted for this purpose.

## MAGNETIC-PARTICLE INSPECTION

Magnetic-particle inspection is a method of locating and defining discontinuities in magnetic materials. It is excellent for detecting surface defects in welds, revealing discontinuities that are too fine to be seen with the naked eye. With special equipment, it can also be used to detect defects that are close to the surface. Figure 11-18 gives a simple explanation of the principles of magnetic-particle testing. Circular magnetization results from longitudinal current transmission.

When using this method for weld inspection, probes are usually placed on each side of the area to



**Fig. 11-19.** When a current is passed through the workpiece, the magnetic lines of force are at right angles to the current, and discontinuities that are angled against the lines of force will create the diversion needed to produce magnetic poles on the surface. Under the illustrated arrangement, a transverse crack would not give an indication, but by changing the position of the probes 90 degrees it would be at right angle to the lines of force and would show.



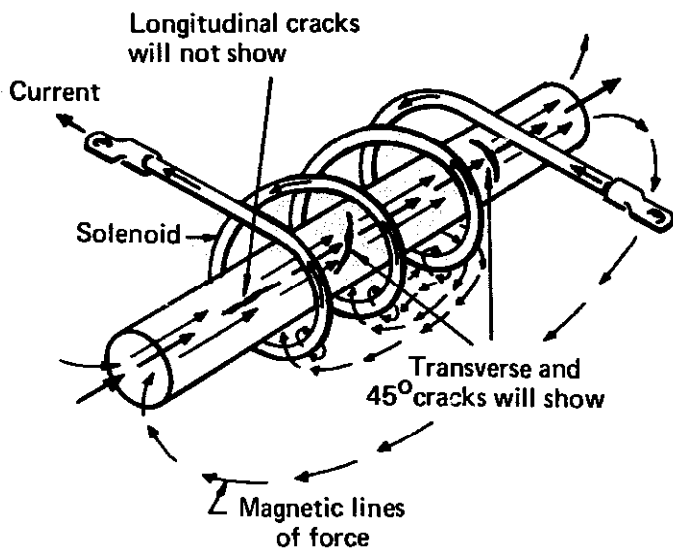


Fig. 11-20. When the magnetic flux is produced with a solenoid coil, the lines of force are parallel and longitudinal. A longitudinal crack will not show, but a transverse crack or one angled against the lines of force will produce an indication.

be inspected and a high amperage passed through the workpiece. A magnetic flux is produced at right angles to the flow of current, which may be represented, as in Fig. 11-19, by circular lines of force within the workpiece. When these lines of force encounter a discontinuity, such as a longitudinal crack, they are diverted and leak through the surface out into the air, creating magnetic poles or points of attraction. A magnetic powder dusted onto the surface will thus cling to the leakage area more tenaciously than elsewhere, forming an indication of the discontinuity.

A workpiece can also be magnetized by putting it inside a solenoid. In this case, the magnetic lines of force are longitudinal and parallel with the workpiece. Transverse cracks show up under this arrangement. Figure 11-20 makes clear why the discontinuity must be angled against the magnetic lines of force for an indication to be developed. If the discontinuity is parallel to the lines of force, the diversion needed to break through the surface and create poles will not occur.

The magnetic-particle inspection method is much simpler to use than radiographic inspection, but has its limitations. It is applicable to ferromagnetic materials only. It cannot be used with austenitic steels. A joint between a base metal and a weld metal of different magnetic characteristics will create magnetic discontinuities, which may produce indications interpretable as unsoundness even though the joint is entirely sound. On the other hand, a true defect can be obscured by the powder

clinging over the harmless magnetic discontinuity. The sensitivity of the method lessens with decrease in size of the defect. Sensitivity is less with round forms, such as gas pockets, and best with elongated forms, such as cracks.

To have external leakage, the magnetic field must be distorted sufficiently. Fine, elongated discontinuities, such as hairline cracks, seams, or inclusions, that are "strung" parallel with the magnetic field will not distort it sufficiently to develop leakage. Thus, no indication will result. By changing the direction of the field, however, the indications can be developed. To be certain that discontinuities are detected, it is advisable to apply the field from two directions, preferably at right angles to each other.

Pieces to be inspected must be clean and dry. Wire-brushing or sand-blasting are satisfactory methods for cleaning welds. Surface roughness decreases the sensitivity, tends to distort the magnetic field, and interferes mechanically with formation of the powder pattern.

The shape, sharpness of outline, and width and height to which the particles have built up are features used for identifying discontinuities. When unusual patterns are produced, other test methods may be required to establish identity. Once a pattern has been interpreted by correlating it with the identification established by other methods, the interpretation can be applied to similar indications on other parts. Representative indications are shown in Fig. 11-21.

Since a powder pattern results from various types of discontinuities in the magnetic field, it is easy to mistake an irrelevant indication for a defect. As noted previously, a change in the magnetic characteristics of materials can create an irrelevant indication in the area of the interface. A change in section or a hole drilled in the part will tend to produce indications that have no significance in respect to weld soundness. These patterns are usually readily recognized for what they represent by their shapes and locations in the part. Abrupt changes in magnetic properties may occur at the edge of the heat-affected zone. The pattern will be fuzzy and diffused, running along the base metal close to the edge of the weld. It resembles the pattern caused by undercutting, a difference being that the particles are much less adherent. If a part is heat-treated or stress-relieved before subjecting to inspection, the magnetic characteristics of the heat-affected zone are restored and no indications will appear.

In the shop use of magnetic-particle inspection,

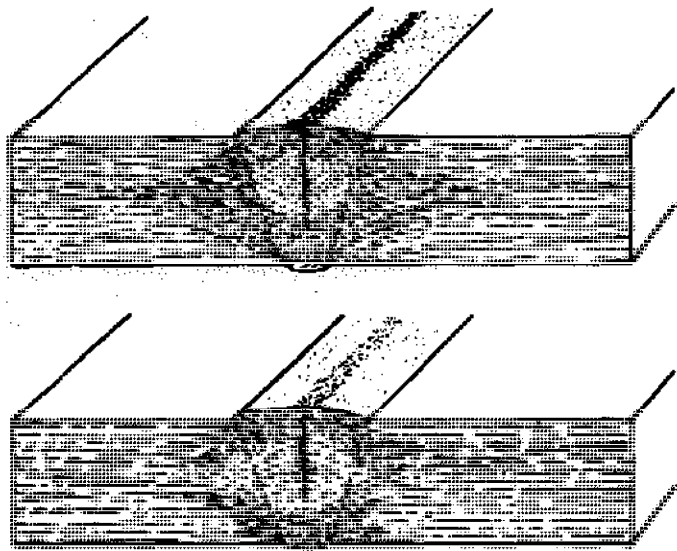


Fig. 11-21. Typical powder patterns and their interpretation in terms of weld defects.

**Surface Cracks** give powder patterns that are sharply defined, tightly held, and usually built up heavily. The deeper the crack, the heavier the buildup of powder.

**Subsurface Cracks** produce a less sharply defined, fuzzy pattern. The powder is also less tightly adherent.

**Crater Cracks** may give a single line, running in almost any direction, or a pattern of lines. The pattern is small and occurs near the end of the weld.

**Subsurface Porosity** gives weak, poorly defined patterns, as do **Slag Inclusions**.

judgment as to the significance of patterns can be guided by rules or standards based on experience or laboratory tests. Assuming that the inspector has ruled out the possibility of a false indication and has properly identified the indicated defect, he must then decide whether to pass or reject the part or require its repair. All defects do not affect the integrity of the part in service. Thus, slag inclusions and porosity may have no bearing on the serviceability of the weld. Surface cracks revealed by magnetic-particle inspection, however, should be considered potential stress raisers or focal points for fatigue and corrosion.

The equipment for magnetic-particle inspection is relatively simple (Fig. 11-22). Commercial units, portable and stationary, provide for nearly every situation where the method is applicable. The manufacturer's instructions and recommendations for use of the equipment should be read carefully and thoroughly understood. The units may provide magnetization by direct, alternating, or rectified currents, or combinations thereof. Portable equipment, making use of electromagnets and permanent magnets, is also available.

Direct or rectified current is required for deep penetration. Alternating current magnetizes the surface only, and thus is limited to surface inspection. Full-wave, three-phase rectified current produces results comparable to those produced by battery direct current. Half-wave, single-phase rectified current gives maximum sensitivity. High amperage, low voltage is normally used in all magnetic-particle testing to limit arcing or burning on the test piece.

Magnetic powders may be applied either by the dry or wet methods. Dry powder is dusted uniformly over the work with a spray gun, dusting bag, or atomizer. The finely divided magnetic particles are coated to give them greater mobility and are available in gray, black, and red colors. It is desirable that the particles impinge on the surface at low velocity and with just enough residual force after impact to move them to possible sites of leakage. Excess powder is removed with a light stream of air.

In the wet method, very fine red or black particles are suspended in water or light petroleum distillate. Powders for liquid suspension come from

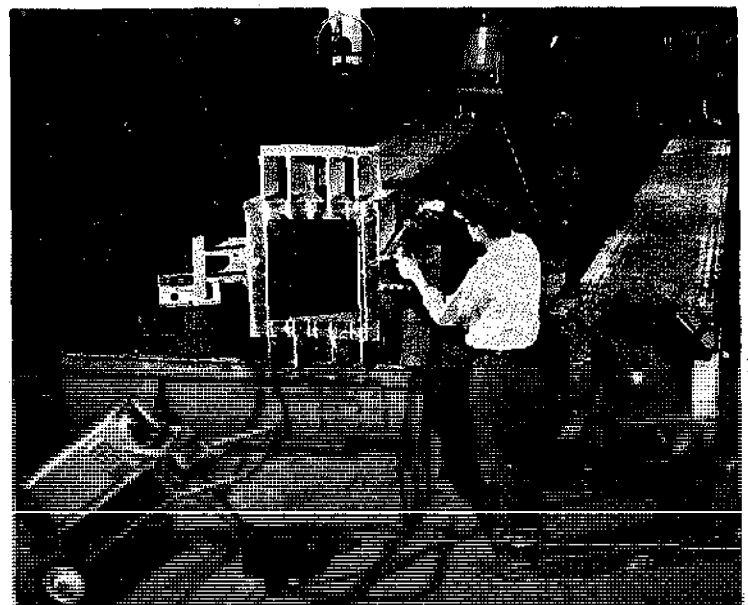


Fig. 11-22. Checking the fillet welds joining connection plates to a large box column with a portable magnetic particle inspection unit.

the manufacturer in either paste or dry form, prepared for use in water or oil baths. After the suspension has been made — in accordance with the manufacturer's instructions — it is flowed or sprayed onto the surface to be inspected, or the piece may be dipped into the liquid. The wet method is more sensitive than the dry method since extremely fine particles may be used; this enables detection of exceedingly fine defects. Red particles improve visibility on dark surfaces. When the particle coating is a dye that fluoresces under ultraviolet light, sensitivity is further increased. Fluorescent powders are excellent for locating discontinuities in corners, keyways, splines, deep holes, and similar locations.

The techniques for creating a magnetic field in workpieces of various sizes and shapes, the sequence of operations in magnetizing and applying magnetic particles, adjustment of current to bring out desired results, the practical modes for orienting magnetic fields to produce or better delineate indications — all are important to the successful use of this inspection method. The equipment manufacturers' literature and various ASTM and other specifications (such as ASTM E-109 "Method for Dry Powder Magnetic-Particle Inspection" and ASTM E-138 "Method for Wet Magnetic-Particle Inspection") should be consulted for operational details.

Magnetic-particle inspection is applied to many types of weldments in production practice. The dry-powder method is especially popular for heavy weldments. Many steel weldments in aircraft manufacture are inspected by the wet method, using direct current. Airframe parts are subjected to fatigue conditions, which means that surface cracks cannot be tolerated. Since these weldments are relatively thin, magnetic-particle inspection will usually detect subsurface defects as well as show up the finest surface cracks.

## LIQUID-PENETRANT INSPECTION

Liquid-penetrant inspection is a nondestructive method for locating surface cracks and pinholes that are not visible to the naked eye. It is a favored technique for locating leaks in welds, and it can be applied where magnetic-particle inspection is useless, such as with austenitic steels or nonferrous metals. Two types of penetrant inspection are used — fluorescent and dye — which define the penetrating substance.

With fluorescent-penetrant inspection, a highly fluorescent liquid with good penetrating qualities is applied to the surface of the part to be examined.

Capillary action draws the liquid into the surface openings. The excess liquid is then removed from the part, a so-called "developer" is used to draw the penetrant to the surface, and the resulting indication is viewed by ultraviolet (black) light. The high contrast between the fluorescent material and the background makes possible the detection of minute traces of penetrant.

Since penetration of minute openings is involved, the part to be inspected must be thoroughly clean and dry. Any foreign matter could close the openings leading to false conclusions. The penetrant is applied by dipping, spraying, or brushing. Time must be allowed for absorption of the material into the discontinuities — up to an hour or more in very exacting work.

When penetration is complete — or assumed to be adequate in accordance with testing specifications — the excess material is removed from the surface. If the penetrant is designed for water wash, a low-pressure water spray is used. Some commercial penetrant systems, however, require a solvent wash or what is called a "post emulsifier." With the latter, an emulsifier is applied to the part and allowed to remain on it for one to four minutes before the water spray. The instructions for use of emulsifiers and for the washing operation must be followed closely, since it is necessary that only excess penetrant be removed.

After the wash, the parts are dried if a dry developer is to be used. Hot air may be used to accelerate drying. A dry developer is applied with a powder gun, spray bulb, or by dipping the part into the powder. The developer draws the penetrant from the defects, making it accessible for viewing by ultraviolet light. If only large discontinuities are sought, a developer may not be required to make the indications visible. If a wet developer is to be used, drying of the part after removal of excess penetrant is not required. Wet developer is applied in the form of a colloidal water suspension by dipping or spraying, after which the part is dried by hot air.

Under ultraviolet light, the indications fluoresce brilliantly. The extent and depth of the discontinuity can be gaged by the width and length of the indication and the amount of penetrant bleeding to the surface. The darker the room in which viewing is done, the more brilliant the fluorescence and more easily very small indications are observed.

Dye-penetrant inspection is similar to fluorescent-penetrant inspection except that dyes visible under ordinary light are used. By eliminating the



**Fig. 11-23.** This hair-line intermittent crack typifies the type of weld defect for which dye-penetrant inspection techniques are particularly suited.

need for ultraviolet light, greater portability in equipment is achieved.

Liquid-penetrant inspection is widely used for leak detection. A common procedure is to apply fluorescent material to one side of a joint by brushing or spraying, allow adequate time for capillary action, and then view the other side of the joint with ultraviolet light. Dry developer may be used on the side being inspected to intensify the indications. In thin-walled vessels, this technique will show up leaks that are not ordinarily located by the usual air test with pressures of 5 to 20 psi. The sensitivity of the leak test decreases, however, when the wall thickness is over 1/4-in.

Penetrant inspection is also widely used in the inspection of large and small weldments for cracks and porosity when the materials are nonmagnetic. It must be remembered that only surface defects are revealed by this method. Figure 11-23 shows a typical defect indication using dye penetrant.

## ULTRASONIC INSPECTION

Ultrasonic inspection is a supersensitive method of detecting, locating, and measuring both surface and subsurface defects in metals. Flaws that cannot be discovered by other methods, and even cracks small enough to be termed microseparations, may be detected. In the practical inspection of welds, the sensitivity of the process is often curbed by designing or setting the equipment to give a response equivalent to a sensitivity of 2% of the metal thickness, thus giving results comparable with those obtained in radiographic inspection.

Ultrasonic inspection is based on the fact that a discontinuity or density change will act as a reflector for high frequency vibrations propagated through the metal. The searching unit of the pulse-echo type ultrasonic equipment contains a crystal of

quartz (or other piezoelectric material). When a voltage is applied, the crystal vibrates rapidly, and imparts mechanical vibrations of the same frequency into materials it contacts.

When an ultrasonic probe is held against metal, the vibrational waves are propagated through the material until a discontinuity or change of density is reached. At these points, some of the vibrational energy is reflected back. If, in the meantime, the current that caused the vibration has been shut off, the quartz crystal can now act as a receiver to pick up the reflected energy. The reflected vibration causes pressure on the quartz crystal, which results in the generation of an electric current. Fed to a cathode-ray tube, this current produces vertical deflections in the horizontal base line. The pattern on the face of the tube is thus a representation of the reflected signal — and of the defect. The cycle of transmitting and receiving is repeated at a rate of 60 to 1,000 times per second.

Two types of cathode-ray-tube presentation are available — radio frequency (RF) and video. Most commercial units present the video pattern, although many inspectors believe RF provides more useful information on flaw identification. Figure 11-24 shows the video patterns produced on the cathode ray tube by different types of defects. It can be readily seen that expertness in interpretation of the deviations from the horizontal oscilloscope line is required, and a similar degree of expertness is needed for operation of the equipment. Interpretations are based on standard patterns made from reference plates, which are prepared in accordance with procedures approved by the ASTM, ASME, and AWS (D1.1-72, Section 6, Part III).

Pulse-echo ultrasonic equipment is available in compact form for field use. Figure 11-25 shows a battery-powered portable unit. In addition to the greater sensitivity over radiographic equipment, ultrasonic inspection enables the probing of joints that are inaccessible to radiographic methods and is more dependable in locating all flaws. Operational costs are also less.

Another type of ultrasonic inspection equipment gives what is similar to a "television picture" of the defect. Although not as popular as pulse-echo equipment, it is believed to have the potential for simplifying pattern interpretation where applicable, since the pattern is essentially a plane image. With this type of equipment, the ultrasonic energy from a generator is transmitted through the specimen, much as X-rays are transmitted in radiographic inspection. The transmitted energy impinges on a

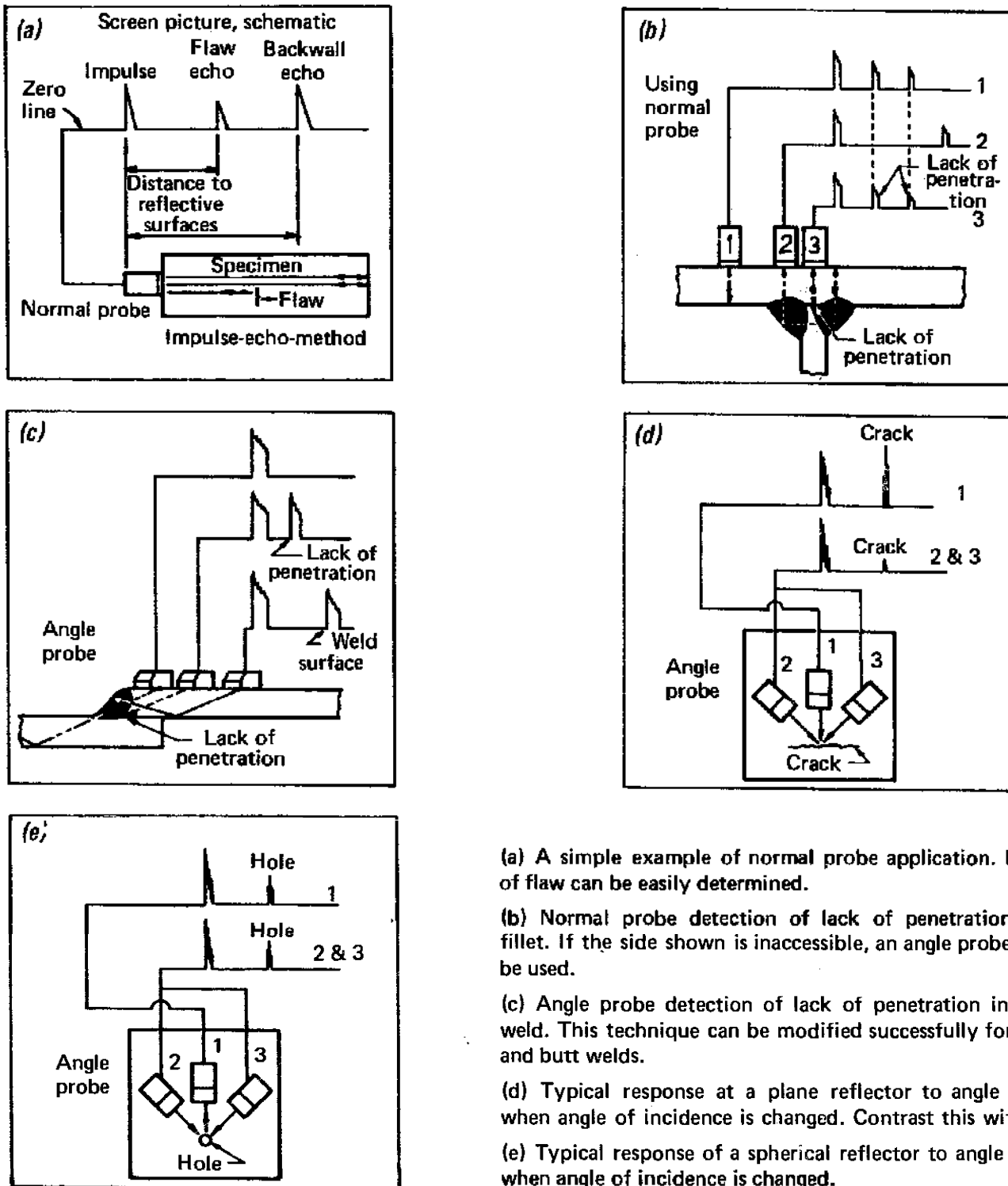


Fig. 11-24. Video patterns produced on the cathode-ray tube by different types of defects.

piezoelectric target, producing varying potentials on its face that are characteristics of the flaws in the specimen. The target is scanned with an electron beam, which is modulated by the varying surface potentials. This enables the development of a picture — a representation of the flaw — on a monitoring screen.

### CHEMICAL AND METALLOGRAPHIC EXAMINATION

Chemical analysis is not usually required in routine weld inspection. When a certain chemistry is specified for the weld metal, it is known beforehand and becomes an important consideration during pro-

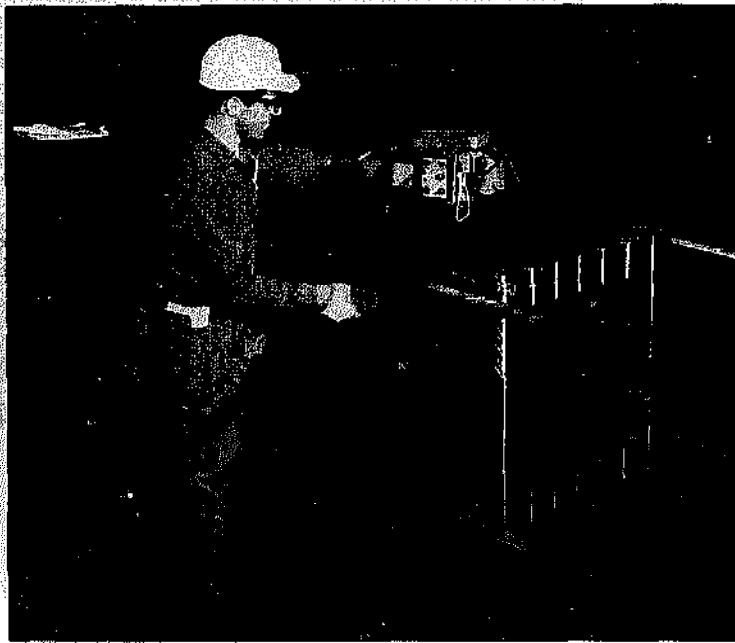


Fig. 11-25. Examination of box-column welds with a portable ultrasonic unit. Inspection of this assembly with radiographic techniques would be very difficult.

cedure qualification. If trouble is encountered in producing acceptable welds, chemical analysis may help reveal the source and suggest changes in procedure to eliminate the difficulty. The AWS electrode identification system (letter, number, and suffix) designates the chemistry of the electrode used. Thus, chemical analysis of the deposited weld metal is a verification procedure rather than an inspection method. A specification, however, may require that a sample be taken from the weld and submitted for analysis.

Metallographic tests are more frequently required by specifications. They are helpful in determining the distribution of nonmetallic inclusions, the grain structure in the weld and fusion zone, and the extent and structure of the heat-affected zone. The tests may involve visual examination, in which case macro-specimens are etched to bring out the structure and are examined by the unaided eye or with a magnifying glass. If microscopic examination is required, the specimens are etched by standard procedures for examination at high magnifications.

Samples for either metallographic or chemical analysis may be taken without destroying the weld by trepanning or core drilling. After the sample has been taken, the hole or cut is repaired by rewelding.

## MECHANICAL TESTING

Mechanical testing includes prooftesting and testing-to-destruction. Prooftesting involves applying

a load or pressure equal to or greater than that expected in service but not great enough to damage the product. It is a method of assuring that the product is serviceably sound at the time of the test, and it may be required by the specifications for all the production units. Destructive testing, obviously, is applied only to specimens, usually prototypes or samples taken from production in some predetermined statistical sequence.

Prooftesting is common with welded vessels. The test may be run for tightness of the enclosure, in which case the working pressure will likely be used. If the test is run to confirm strength or safety, the test pressure will usually exceed working pressure. Judgment enters into specifying the pressure intended to reveal defects that later may cause failure in service. Usually, some multiple of the design value is selected. The passing of a prooftest in which the weldment is subjected to pressures several times those of normal service does not mean that working pressures of that magnitude can be used. Experience indicates that failures can occur later at much lower pressures as a result of fatigue, corrosion, or stress raisers.

To avoid damage to the weldment, a prooftest must always be run at something less than the yield strength of the weakest component. It is usually desirable to limit the pressure or force to 75% of the calculated yield point. Sometimes the combination of residual stresses with the prooftest stress may cause some local yielding without damage. The test, in fact, may act as a stress-relief operation to a limited extent.

Air, water, oil, and gases may be used to supply the pressure when prooftesting a vessel. Leaks are shown by pressure drops or detected visually. Light-viscosity oil will penetrate leaks that will not pass water, and air will leak where oil will not. On a clean weld, leaking oil or water is easily observed. Air or gas pressure will show a drop if a leak exists. Soap solution, spread over a weld, will reveal the presence of a leak by bubble formation.

Destructive testing gives an absolute measure of the strength of the sample tested. Assuming that materials and the method of fabrication are uniform, it is reasonable to infer that the sample is representative of all the units. Periodic testing of specimens tend to lend validity to this inference, providing the results are similar. Usually the destructive force is applied in a way that simulates service conditions.

Any testing procedure based on sampling may permit defective work to get through inspection.

Weight must be given to the penalty resulting therefrom. When safety is an important consideration, destructive techniques with samples do not give assurance of the quality needed. On the other hand, when safety is not a factor and the unit cost of the product is low, destructive testing with samples may be more economical and informative than nondestructive testing.

## SPOT CHECKING AND OTHER TESTS

If quality control, rather than the screening out of parts with defects, is the main objective, spot checking may be employed. Any applicable inspection method might be used in spot checking, but in shop practice the term usually alludes to the "sectioning" - taking of samples for metallographic study and tensile, impact, or other mechanical tests. A small circular sample is removed with a hole saw or trepanning tool for metallographic etching, or a boat-shaped specimen taken with a special machine, using a hemispherical saw, for mechanical tests. While it is necessary to repair the weld, the procedure is classed as nondestructive.

Spot checking by sectioning gives an indication of the average quality. Since relatively inexpensive equipment is required and the testing techniques are those standard to all metallurgical laboratories, it is one of the cheaper methods for controlling, even though not assuring, quality.

Hydrostatic testing is a method for determining the tightness of welds in fabricated vessels. It differs from prooftesting in that the pressure built up within the test vessel is usually only moderately greater than the external pressure. Various liquids and gases are used which, when escaping in minute amounts, are easily detected by chemical or physical means. Thus, the vessel may be pressurized with chlorine gas, and a halogen-sensitive leak detector used to spot a leak so small that only 1/100 of an ounce of the gas could pass through the opening in a year. Or helium gas may be used in connection with a commercial mass-spectrometer helium-leak detector capable of detecting one part of helium in 200,000 parts of air.

Hardness tests may also be called for by the specifications governing the welding. Hardness measurements give an indication of the approximate tensile strengths of metals and will show whether or not the base and weld-metal strengths are correctly matched. (See the Reference Data Section for a table relating Rockwell hardness numbers to tensile strength.)

Hardness data also give indications of the metallurgical effects of the welding process on the weld metal and heat-affected zones. Limitations are often placed on hardness, since it reflects the ductility of the joint and to some extent its ability to resist impact loads. Hardness measurements, as other mechanical properties, are usually made by the laboratory rather than by inspection personnel.

### SOME POINTS TO REMEMBER ABOUT WELD INSPECTION

- Visual inspection tells most. Everyone can participate in it.
- Radiographic inspection permits looking into the weld for defects that fall within the sensitivity range of the process. It provides a permanent record of the results.
- Magnetic-particle inspection is outstanding for detecting surface cracks and is used to advantage on heavy weldments and assemblies.
- Dye-penetrant is easy to use in detecting surface cracks. Its indications are readily interpreted.
- Ultrasonic inspection is excellent for detecting subsurface discontinuities, but requires expert interpretation.



Welder making a qualification test.



# Welding Qualification Tests

Various codes and specifications require that the welding procedures for a job be proved to give satisfactory welds by prescribed tests. In addition, the governing code or specification may demand that the weldors and welding-machine operators be proved by tests as qualified for the job. All such tests are referred to as welding qualification tests.

Although any code-writing body may prescribe its own welding qualification tests, most codes and specifications concerned with welded steel structures in the United States incorporate the welding qualification tests of the American Welding Society, the American Society of Mechanical Engineers, or the American Petroleum Institute in their specifications. Thus, the American Association of State Highway Officials in its specifications for highway bridges incorporates the AWS welding qualification tests for procedures and personnel, as those qualification tests are given in the AWS Structural Welding Code. Many other code-writing organizations, including private companies, industrial groups, or governmental agencies, also refer to AWS, ASME, or API specifications for welding qualification tests.

AWS tests are most widely recognized, but are not universally applicable. In certain types of work, other qualification tests may be required. The contractor doing the welding must make certain that the qualification of procedures and personnel he uses meet the requirements of the governing code.

There are three different qualification tests:

1. A test to qualify the welding procedure to be used for a specific welding project.
2. A test of the welding proficiency of the operator with hand-held welding equipment (the stick-electrode holder or the semi-automatic welding gun). This is referred to as weldor qualification.
3. A test of the proficiency of the operator with fully automatic welding equipment — referred to as welding operator qualification.

In the following text, these tests are described in a condensed form — with the intent to give the

reader a concept of what is involved. Before qualification tests are attempted, a copy of the applicable code or specification should be obtained and studied.

## AWS QUALIFICATION TESTS FOR BUILDINGS AND BRIDGES

The AWS Structural Welding Code is a source of information on qualifying procedures, weldors, and welding operators for the welding associated with building and bridge construction. Copies may be obtained from the American Welding Society, Inc., 2501 N.W. 7th Street, Maimi, Florida, 33125.

### Procedure Qualification

The welding procedures for work done in accordance with the AWS Structural Welding Code must be "qualified" before fabrication can begin, except when the procedures are prequalified. Prequalified procedures are those that conform to Section 2 — Design, Section 3 — Workmanship, and Section 4 — Technique, of the Code. In many instances, the contractor will find that procedures he intends to use with the specified joints are already prequalified — in which case no procedure qualification tests will be needed.

However, if the contractor wishes to deviate from these requirements, he must qualify the procedure. If the building commissioner or engineers accept evidence of previous qualification, the testing can be waived.

The procedure qualification tests with fillet and groove welds are illustrated and described in Figs. 11-26 and 11-27.

For steels having a specified yield point of 50,000 psi or less, qualification on any one also qualifies for all, or for any combination of the others (5.5.1.1) having a minimum specified yield point equal to or less than that of the base metal used in the test. If the steel has a specified yield

\* Parenthetical references are to paragraphs in the AWS Structural Welding Code.

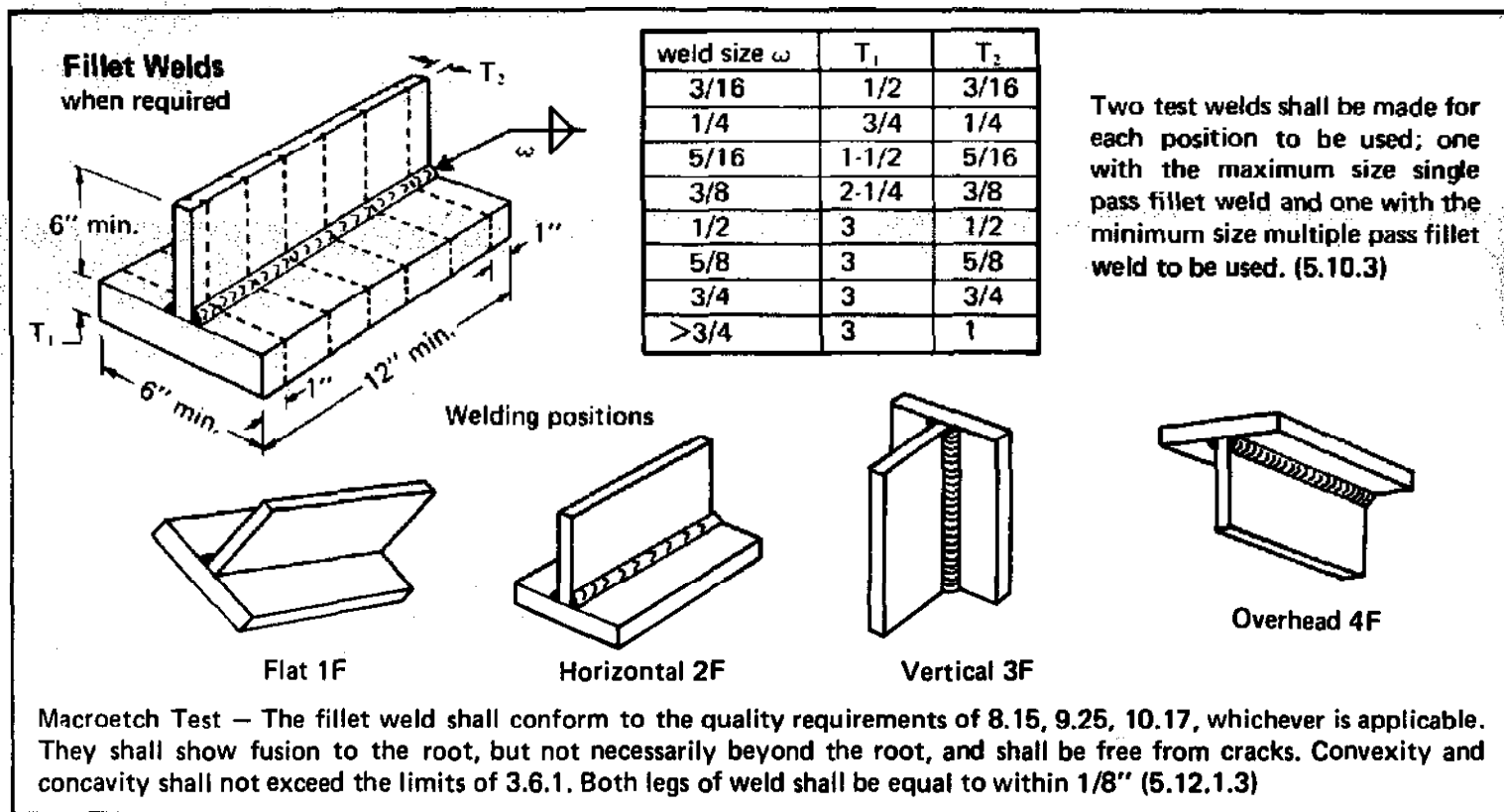


Fig. 11-26. Details of the AWS procedure qualification tests continued in Fig. 11-27.

point in excess of 50,000 psi, the procedure qualification test on this steel will only qualify this particular steel, grade, or type, and the same specified yield point. A reduction in yield point because of an increase in thickness of the particular steel is permitted. For example, a procedure qualified with 1-in.-thick 100,000-psi yield steel also qualifies for 3-in.-thick 90,000-psi yield steel of the same ASTM specification (5.5.1.3).

Qualification on either A242, A441, A534 Gr. A, A572 Gr. 50, A588, API 5LX Gr. 42, or ABS Gr. AH, DH or EH will also qualify for any of these combinations of them or with other approved steels having lower specified yield points. (5.5.1.2)

If a steel having a specified yield point in excess of 50,000 psi is qualified to be welded to a steel having a specified yield point of 50,000 psi or less, it is qualified to be welded to any other of the steels having a specified yield point of 50,000 psi or less (5.5.1.4).

The procedure qualification for groove welds joining material over 3/4-in.-thick states that the test plate shall be the same thickness as the material but need not exceed 1 in. Should the application in question involve 7/8-in.-thick material, the logical recommendation for procedure qualification would still call for 1-in.-thick plate, since the test is no

more difficult than 7/8-in., and passing it would give "unlimited" qualification. Should 1-in. test plates not be available, however, the qualification test can be performed on any thickness greater than 1-in. and still give unlimited qualification.

A test joint for partial-penetration groove welds shall be made for each type of joint and weld position, except that the depth of groove does not have to exceed 1 in. A macroetched cross section of the completed joint shall be made to show that the designated effective throat thickness is obtained and shall conform to the requirements of the Procedure Specification (5.10.2). The test plates for groove welds with gas metal-arc, flux-cored arc, electroslag, and electrogas welding shall be radiographically or ultrasonically tested. (5.10.1.1) (5.12.1.5)

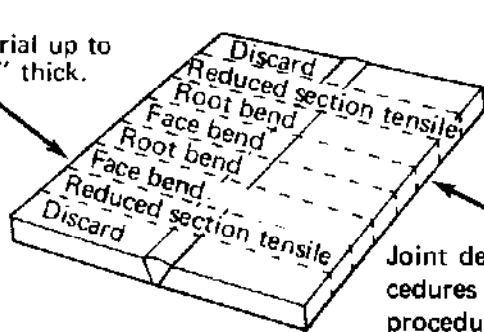
When required by filler-metal specifications applicable to the weld metal being tested, test specimens may be aged at 200° to 220°F for 48 ± 2 hours (5.10.4).

### Weldor Qualification

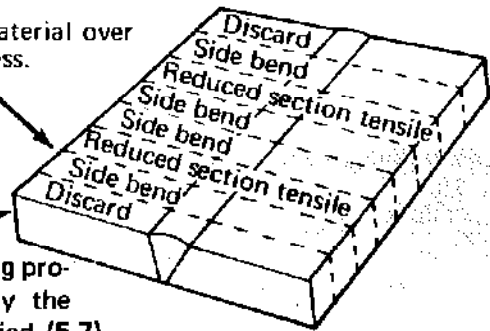
Manual-electrode and semiautomatic weldors must be qualified for work covered by the AWS Structural Welding Code. The requirements are also sometimes used by individual companies or specific agencies to prove the skill of welding operators.

**Groove Welds – Plate**

Qualifies for material up to and including 3/4" thick.



Qualifies for material over 3/4" in thickness.

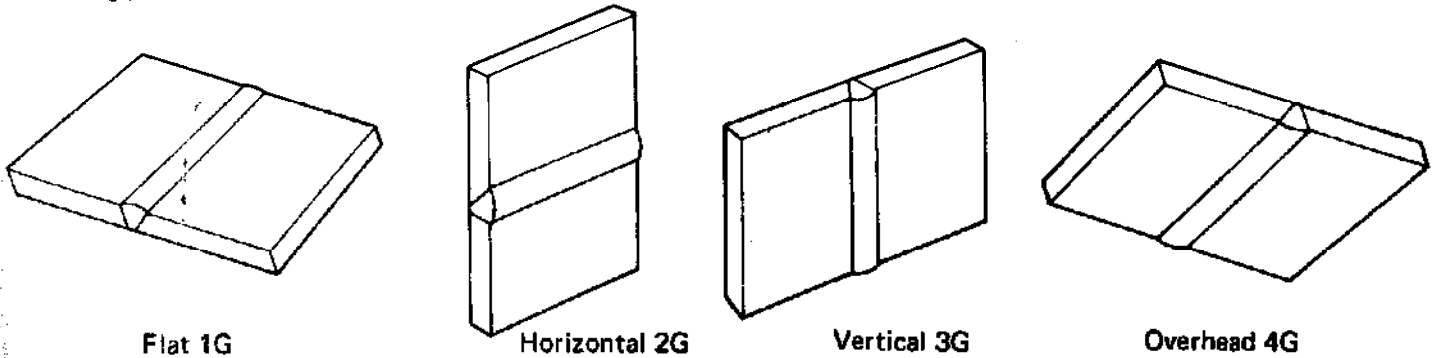


Joint details and welding procedures are specified by the procedures being qualified. (5.7)

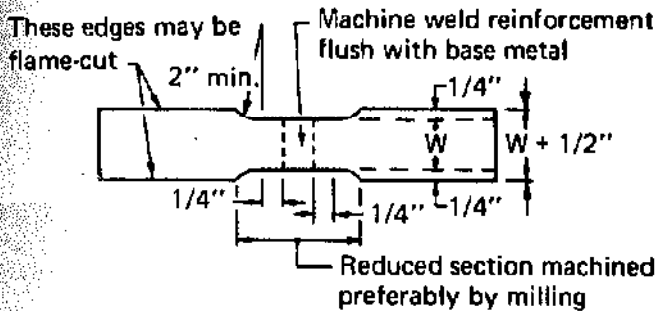
Make 3/8" test plate for each position

For material over 3/4" thick a test weld shall be made in material of the maximum thickness, but need not exceed 1".

Welding positions



**Reduced Section Tensile**



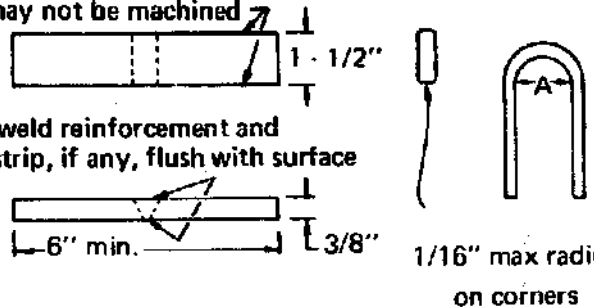
Tensile strength shall not be less than the minimum specified tensile strength of the base metal used. (may break in the weld)

$w = 1-1/2"$  if  $t \leq 1"$   
 $w = 1"$  if  $t > 1"$

YP	A
50 ksi & under	1-1/2"
55 to 90 ksi	2"
over 90 ksi	2-1/2"

**Face and Root Bend**

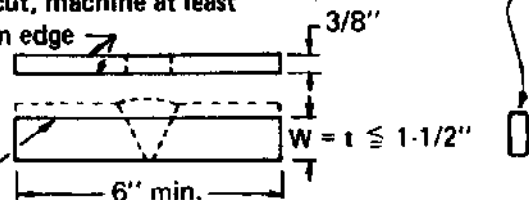
These edges may be flame-cut and may or may not be machined



Remove weld reinforcement and backing strip, if any, flush with surface

**Side Bend**

If flame-cut, machine at least 1/8" from edge

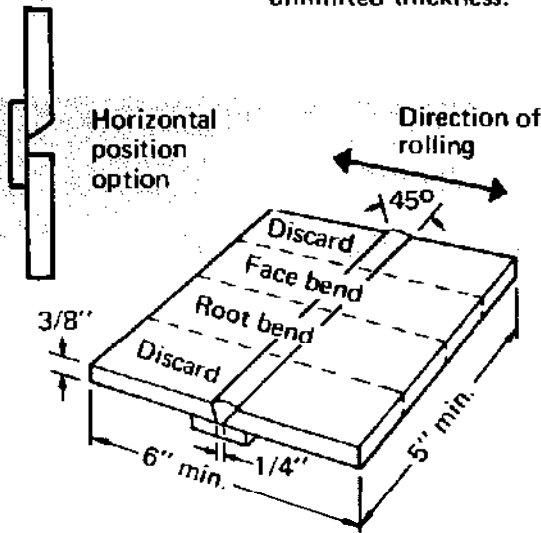


cut along this edge when t exceeds 1-1/2", edge may be flame-cut and may or may not be machined.

**NOTE:** For plates over 1-1/2" thick, cut specimens into a minimum number of approximately equal strips not exceeding 1-1/2" in width. Bend specimen passes if crack or other opening does not exceed 1/8" after bending through an angle of 180°. Cracks at corners are not considered. (5.12.1.2)

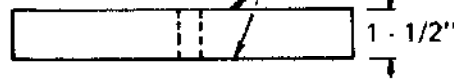
Fig. 11-27. Details of the AWS procedure qualification tests (continued from Fig. 11-26).

Limited thickness will qualify for groove welds in material not over 3/4" thickness and fillet welds on material of unlimited thickness.

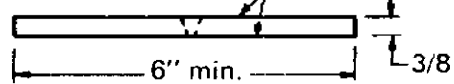


Backing bar is at least 3/8" x 1". If radiography is used then use at least a 3/8" x 3" backing bar.

These edges may be flame cut and may or may not be machined



Remove weld reinforcement and backing strip flush with surface



1/16" max radius on corners

Bend specimen passes if any crack or open defect does not exceed 1/8" after bending through an angle of 180°. Cracks at corners are not considered.

Radiographic inspection of test plate may be used instead of guided bend test. (5.3.2)

Fig. 11-28. Details of the AWS weldor qualification tests (continued in Fig. 11-29).

A weldor is qualified for any of the approved steels if he qualifies on any one of them. For manual shielded metal-arc welding the proper electrode classification must be used. (5.17.1.3)

With manual shielded metal-arc welding, qualification with any of the following electrodes will qualify for any electrode having the same or lower group designation, where XX represents the strength level of the electrode — 60, 70, 80, 90, 100, 110, and 120. (5.17.1.3)

Group	AWS Electrode Classification
F4	EXX15 EXX16 EXX18
F3	EXX10 EXX11
F2	EXX12 EXX13 EXX14
F1	EXX20 EXX24 EXX27 EXX28

A weldor qualified with an approved combination of electrode and shielding medium is also qualified for any other approved combination of electrode and shielding medium for the same semi-automatic process as used in the qualification test (5.17.1.4).

The types of joints and welding positions quali-

fied with each test are indicated in the following table:

POSITION AND TYPE OF WELD QUALIFIED

Test Position	Unlimited* & Limited** Thickness Test		Fillet Weld Tests***
Overhead OH	F & OH groove	F, H & OH fillet	F, H & OH fillet
Vertical V	F, H & V groove	F, H & V fillet	F, H & V fillet
Horizontal H	F & H groove	F & H fillet	F & H fillet
Flat F	F groove	F & H fillet	F fillet

\* Qualifies for groove and fillet welds on material of unlimited thickness.

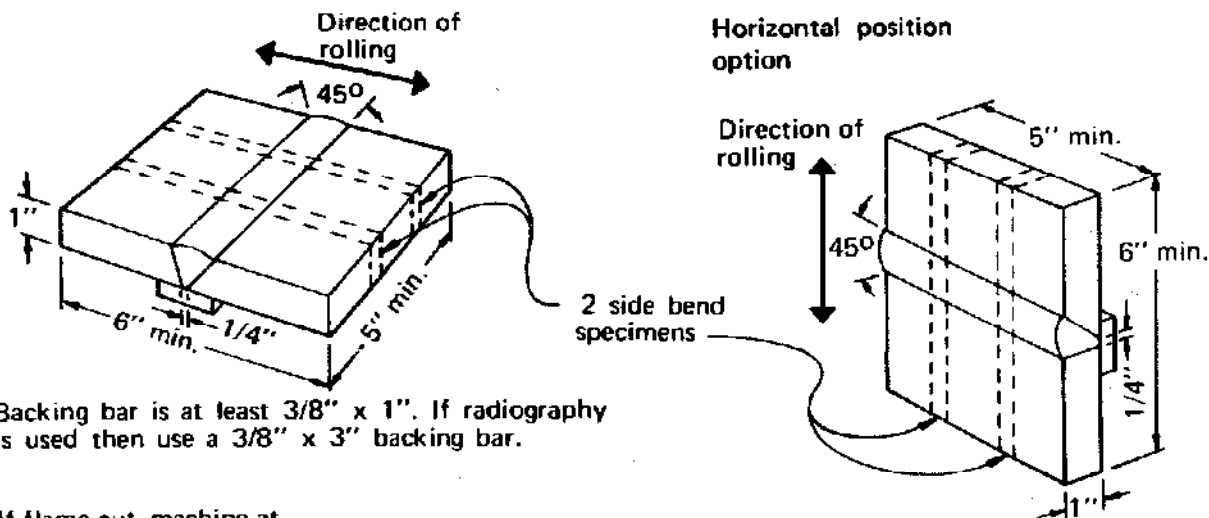
\*\* Qualifies for groove welds in material not over 3/4-in. thick and fillet welds on material of unlimited thickness.

\*\*\* Qualifies for fillet welds on material of unlimited thickness.

Figures 11-28 and 11-29 detail the qualification tests. The weldor making and passing a procedure qualification test is also qualified for that process and test position for plates of thicknesses equal to or less than the thickness of the test plate welded. In the case of 1-in. or over in thickness, he will be qualified for all thicknesses.

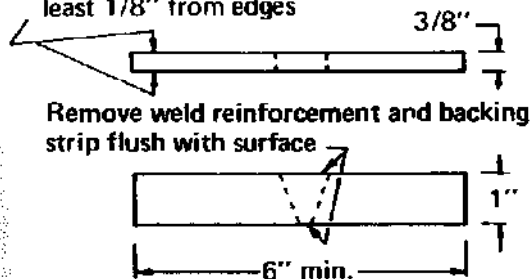
A weldor could, thus, achieve unlimited qualification — would be qualified for making any type

**Unlimited thickness** will qualify for groove or fillet welds in unlimited thickness



Backing bar is at least 3/8" x 1". If radiography is used then use a 3/8" x 3" backing bar.

If flame cut, machine at least 1/8" from edges



**Guided side bend test**

1/16" Max radius on corners

2 side bend specimens



Bend specimen passes if any crack or other open defect does not exceed 1/8" after bending through an angle at 180°. Cracks at corners are not considered.

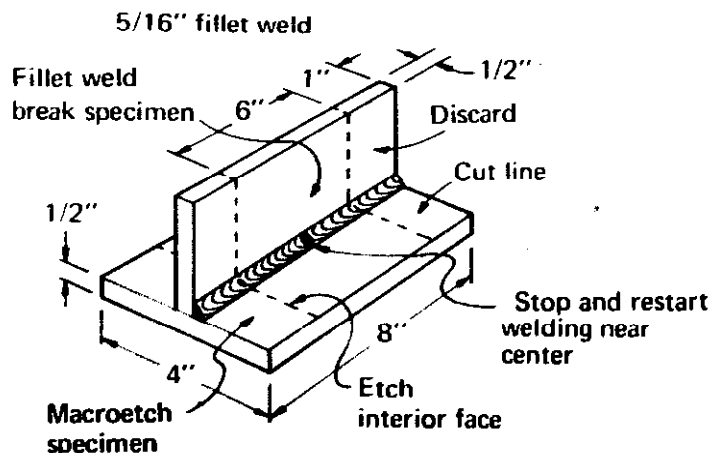
Radiographic inspection of test plate may be used instead of guided bend test. (5.3.2)

YP	A
50 ksi & under	1-1/2"
55 to 90 ksi	2"
over 90 ksi	2-1/2"

**Fillet Welds** will qualify for unlimited thickness of material.

**Option 1**

Visual inspection – a reasonably uniform appearance; free of overlap, cracks and excessive undercut; no surface porosity.



Next the 6" section is broken with the root of the weld in tension. The broken section of the weld shall show complete penetration into the root of the joint and fusion into the plate. No inclusion or porosity larger than 3/32". Sum of greatest dimension of all inclusions and porosity shall not exceed 3/8" in the 6" length. If plates are bent upon themselves without weld breaking, will pass.

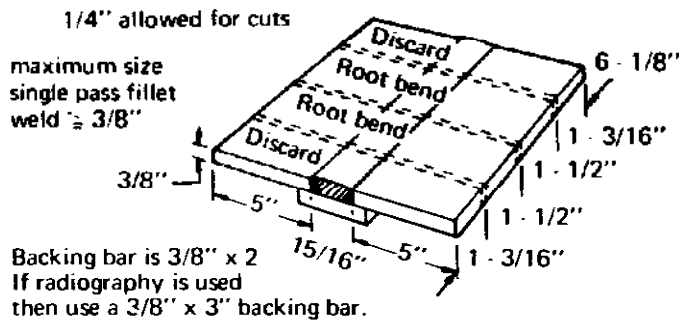
Macroetch test – shall show fusion to the root but not necessarily beyond root and no cracks. Convexity and concavity shall not exceed 1/16". Legs are equal to within 1/8".

(Continued on next page.)

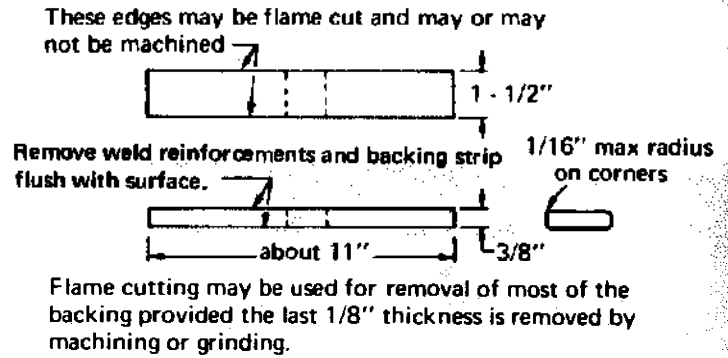
Fig. 11-29. Details of the AWS weldor qualification tests (continued from Fig. 11-28).

Figure 11-29. Continued

**Fillet welds - Option 2**



Radiographic inspection of test plate may be used instead of guided bend test. (5.3.2)



Bend specimen passes if any crack or other opening does not exceed 1/8" after bending through an angle of 180°. Cracks at corners are not considered.

weld, in any welding position, on any thickness of plate, on any of the approved weldable steels — by performing satisfactorily with just two weld test plates. Involved would be two groove welds having the prescribed bevel angle and root opening and joining 1-in.-thick material of any of the twelve weldable types, using an EXX15, 16, or 18 electrode. One weld would be made vertical and the other overhead. Radiographic inspection would eliminate any machining and bending. If no overhead welding will be required on the job, just one test plate in the vertical position could be made.

Welder qualification tests remain in effect indefinitely (5.30) unless:

1. The welder does not work with the welding process for which he is qualified for a period exceeding six months. In this case a requalification test is required on 3/8-in.-thick plate.

2. There is specific reason to question his ability.

If a welder fails his test, he may retest (5.29) as follows:

1. An immediate retest shall consist of two test welds of each type he failed, and all test specimens must pass.
2. A retest can be made if the welder has had further training or practice. In this case, a complete retest shall be made.

**Welding Operator Qualification**

Qualification of the man who operates automatic welding equipment is covered in Part IV of Section 5. Here, also, the operator is qualified to weld any of the approved steels if he qualifies on any one of them (5.33.1.1). An operator qualified for any approved combination of electrode and

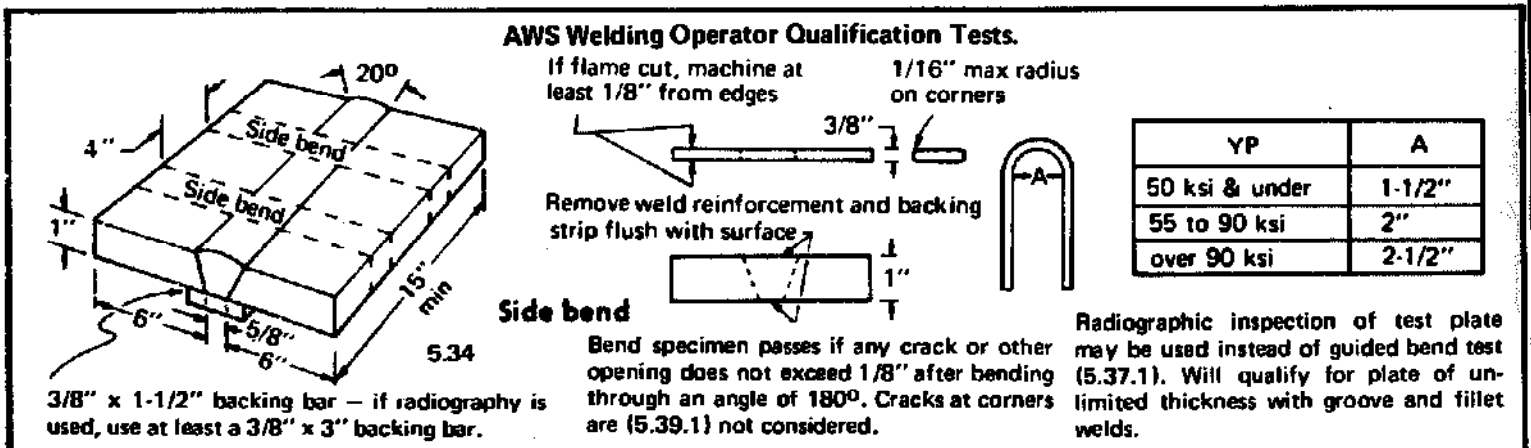


Fig. 11-30. Details of the AWS welding operator qualification tests.

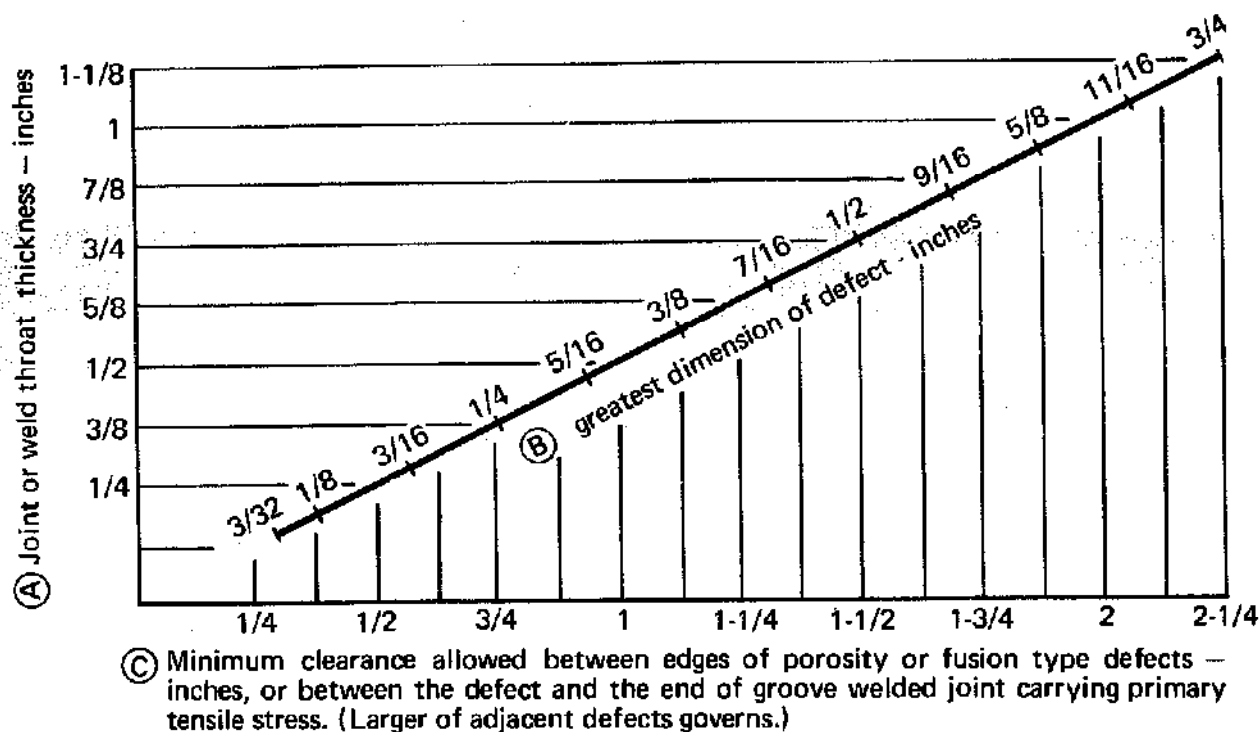


Fig. 11-31. Graphic representation of the defect limitations allowed by the AWS Building Code in a groove weld carrying primary tensile stress.

shielding medium is also approved for any other approved combination of electrode and shielding medium for the same process as used in the qualification test (5.33.1.2). Qualification with multiple electrodes also covers single electrodes (5.33.1.3).

Figure 11-30 describes the test. The welding procedure shall be the same as that specified by the Procedure Specification (5.36). The welding operator making and passing a procedure qualification test is also qualified for that process and test position for plates of thicknesses equal to or less than the thickness of the test plate welded. In the case of 1 in. or over in thickness, he will be qualified for all thickness. (5.34.3)

### Radiographic Examination of Welds

Radiographic examination of test plates for weldor and welding operator qualification may be used in place of the guided bend test. Radiographic examination, in addition to being more fair (in that it gives a more positive appraisal of the weld), could easily reduce the cost of qualification tests to but 10% of what they were before revision of the specifications in 1969 by eliminating the machining of test specimens. Furthermore, this option permits a weldor to be tested in the morning and put to work in the afternoon, avoiding the time delays that have frustrated employers and employees alike.

The AWS Structural Code standards for radio-

graphic weld inspection are applicable to the examination of qualification welds by radiography. Section 8 — Building (8.15) specifies that porosity or fusion-type defects less than 3/32 in. in their greatest dimension are acceptable if the sum of the greatest dimension, when scattered, does not exceed 3/8 in. in any linear inch of weld. Larger porosity of fusion defects are acceptable when:

1. The greatest dimension of the defect does not exceed  $2/3t$  ( $t$  = joint or weld throat in inches) or 3/4 in., and:
2. The sum of the greatest dimension of defects in line does not exceed  $(t)$  in a length of  $(6t)$ , or the space between each pair of adjacent defects exceeds three times the greatest dimension of the larger defects. When the length of weld being examined is less than  $(6t)$ , the permissible sum of the greatest dimension of all such defects shall be proportionately less than  $(t)$ , and:
3. The defect does not lie closer than three times its greatest dimension to the end of a groove-welded joint carrying primary tensile stress.

Piping porosity is acceptable if the sum of the diameters does not exceed 3/8 in. in any linear inch of weld nor 3/4 in. in any 12-in. length of weld.

Figure 11-31 illustrates graphically these limitations in a groove-welded joint carrying primary

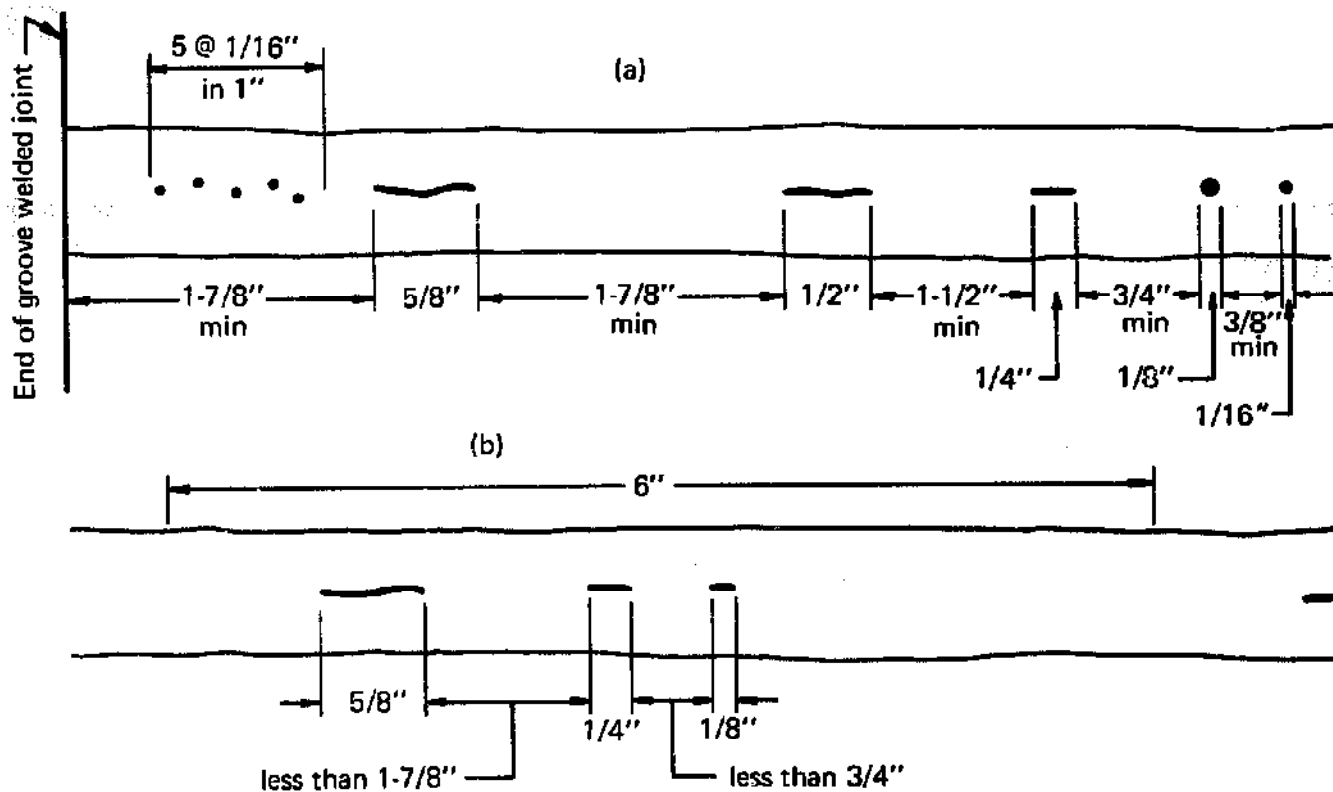


Fig. 11-32. Acceptable defects allowed by the AWS Building Code in a 1-in.-thick joint.

tensile stress.

Figures 11-32(a) and (b) illustrate acceptable defects in a 1-in.-thick joint, according to the AWS Section 8 — Building. In (a) are shown defect sizes and minimum spacings that would be acceptable on a 1" plate. Since the minimum spacings are not violated, it is possible for the sum of the defects to exceed 1 in. (t) in any 6-in. (6t) length. In (b), the sum of the defects is less than 1 in. (t) in a 6-in. (6t) length; hence the minimum spacings may be violated.

Section 9 — Bridge would be applicable to the examination of qualification welds when the job pertains to a highway or railway bridge. It (9.25) specifies that regardless of the method of inspection welds shall have no cracks, and, shall have no other defects exceeding the following limits in size or frequency of occurrence:

1. The greatest dimension of any porosity or fusion-type defect that is 1/16 in. or larger in greatest dimension shall not exceed the size of defect (B) in Fig. 11-33 for the effective throat thickness or weld size involved. The distance from any porosity or fusion-type defect described above to another such defect, to an edge, or to any intersecting

weld shall not be less than the minimum clearance allowed (C) in Fig. 11-33 for the size of defect under examination. The limitations given by Fig. 11-33 for a 1-1/2-in. joint or weld-throat thickness shall apply to all joints or weld throats of greater thickness.

2. Independent of the above requirements, the sum of the greatest dimensions of porosity and fusion-type defects less than 1/16 in. in greatest dimension shall not exceed 3/8 in. in any linear inch of weld.
3. The frequency of piping porosity in fillet welds shall not exceed one in each four inches of length, and the maximum diameter shall not exceed 3/32 in. For fillet welds on web stiffeners the sum of diameters of piping porosity shall not exceed 3/8 in. per linear inch of weld, nor 3/4 in. per foot of weld.

## HOW TO PASS QUALIFICATION TESTS

While the AWS tests are designed to separate capable weldors from amateurs, many professional



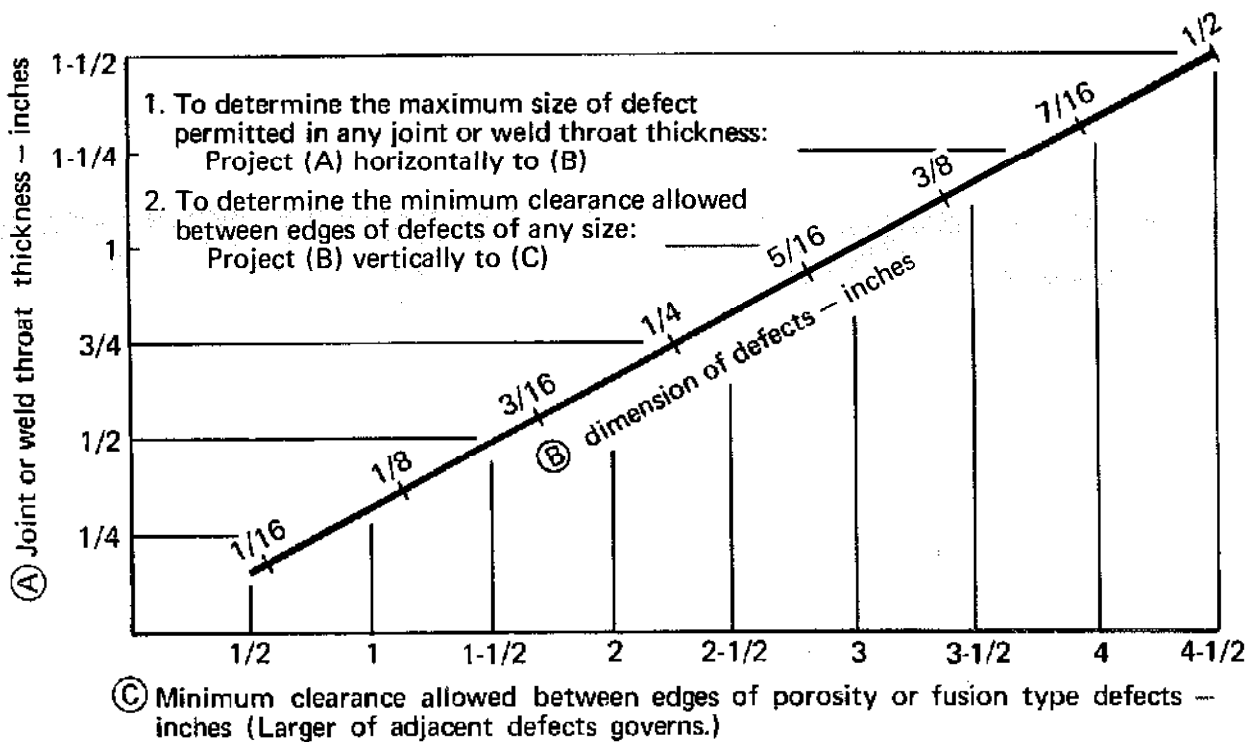


Fig. 11-33. Weld defect limitations of the AWS Bridge Specifications.

welders have failed for reasons not related to their welding ability. The 1972 Code minimizes such possibilities by making the test a more positive demonstration of weld quality and welding skill. However, it is still possible to fail the test because of poor plate quality, improperly prepared samples, or incorrect interpretation of the results. This is exasperating to the weldor and expensive to his employer. It is to everyone's advantage to see that the tests are run properly so the results are an accurate measure of welding ability.

Before taking a test, one should make certain that he has selected the test details that will qualify for the type steel, plate thickness, joint, and welding position to be used. (See Figs. 11-26 through 11-30.) Then, the strength of the plate should be checked. Face and root bend tests are designed so both plate and weld stretch during the test. If the plate has strength substantially higher than the weld metal (and this is possible with steel purchased as mild steel), the plate will not stretch sufficiently, thereby forcing the weld metal to stretch beyond its yield and crack.

As indicated previously, one vertical and one overhead test plate can qualify a manual-electrode or semiautomatic weldor for unlimited welding under the AWS Code. Since it permits using the weldor throughout the shop without restrictions, most testing is done in these two positions.

For unlimited manual-electrode qualification, low-hydrogen electrode (usually E7018) is required. EXX10 or EXX11 electrodes are also frequently used, but do not qualify the weldor to weld with low-hydrogen electrodes. Low-hydrogen electrodes require different techniques than EXX10 or EXX11, and weldors should be trained with low-hydrogen techniques before testing, even if they are expert EXX10 weldors.

Critical to passing any of the tests is getting good penetration and sound weld metal in the root passes. To get good penetration, generally it is best to use the highest current one can handle within the recommended range for the electrode. Electrode data tables should be consulted for current ranges for electrodes.

Many operators worry too much about appearance on the first beads. Appearance means nothing to the testing machine. But poor penetration and unsound weld metal cause most failures.

When manual electrode welding, vertical welds should be made with the vertical-up technique. For gas metal-arc or flux-cored arc welding, vertical welds can be made either in the vertical-up or vertical-down direction. However, the weldor must use the same direction on the job as he used on the qualification test.

No preheat or postheat treatment is necessary or permissible to pass the test. It is, however, helpful to

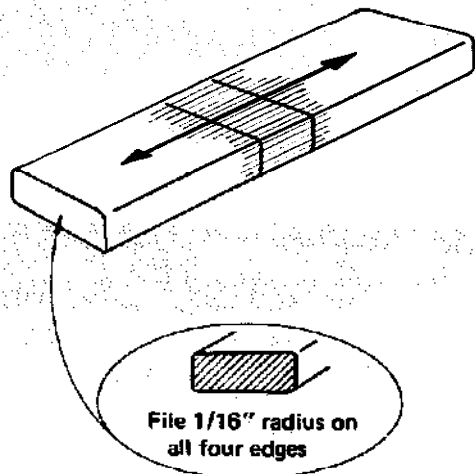


Fig. 11-34. Grinding marks must parallel specimen edges. Otherwise, they may have a notch effect that could cause failure.

keep the plates hot during welding, and allow them to cool slowly after completion. Interpass temperatures of 300-400°F are ideal and can usually be maintained by operating at a normal pace. Never quench the plates in cold water or accelerate the cooling rate in any other way.

Poor specimen preparation can cause sound weld metal to fail. Specimen size, location, and preparation are specified for each test. Even a slight nick across the sample may open up under the severe bending stress of the test, causing failure. Therefore, always grind or machine lengthwise on the specimen, as indicated in Fig. 11-34. Always grind or machine both faces of the specimen until the entire bend area is even, leaving no indentations or irregular spots.

Remove all reinforcement. This is part of the test requirement and, more important to the weldor, failure to do so can cause failure of a good weld (see Fig. 11-35). Be sure the edges are rounded to a smooth 1/16-in. radius. This can quickly be done with a file and is good insurance against failure caused by cracks starting at the sharp corner.

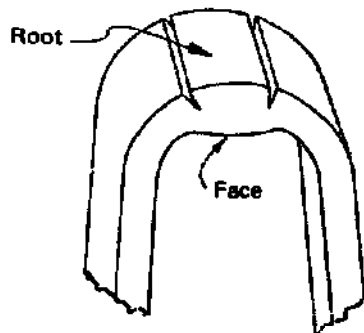
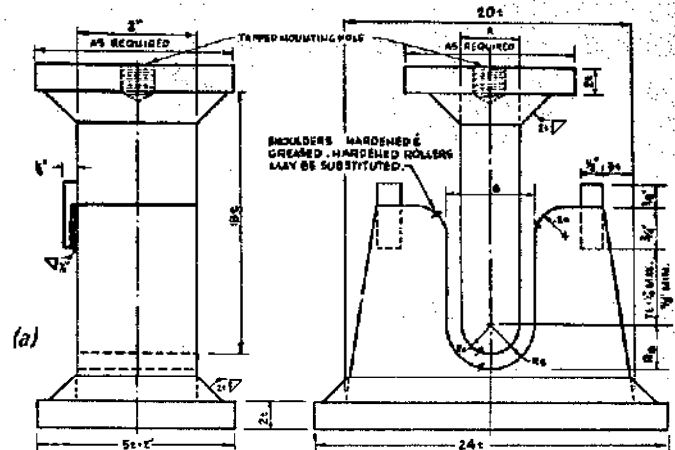


Fig. 11-35. If weld reinforcement is not removed, stretching is concentrated in two places and failure results.

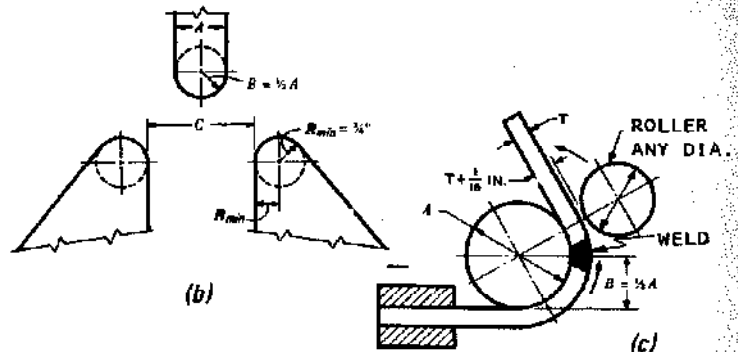
When grinding specimens, do not water-quench them when they are hot. Quenching may create tiny surface cracks that become larger during the bend test.

The jig for testing weld specimens is shown in Fig. 11-36(a). Note that three plunger diameters are required, with the larger diameter used for the higher strength steels in recognition of their lower ductility. Alternate test jigs are shown in Fig. 11-36(b) and (c).



NOTE: "t" refers to specimen thickness  
 "t" for AWS test is 3/8"  
 "t" for API Std. 1104 is tabulated wall thickness of pipe

Jig Dimensions	AWS TEST For Mild Steel Min. Yield Strength-psi			API Std. 1104 For All Pipe Grades
	50,000 & under	55-90,000	90,000 & over	
Radius of plunger $R_A$	3/4	1	1-1/4	1-3/4
Radius of die $R_B$	1-3/16	1-7/16	1-11/16	2-5/16

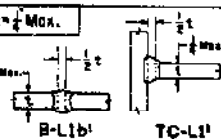
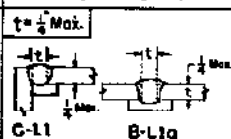
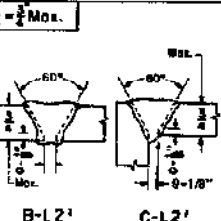
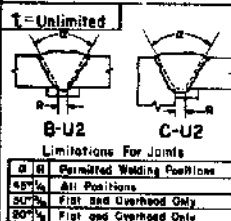
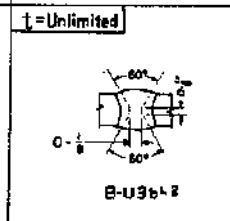
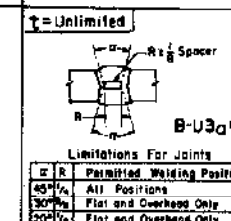
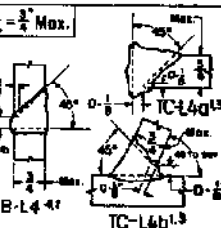
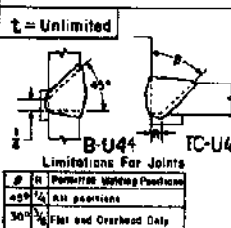
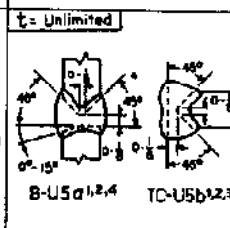
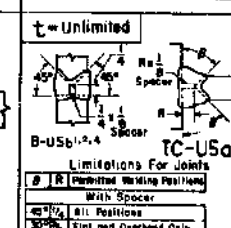
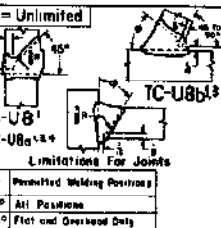
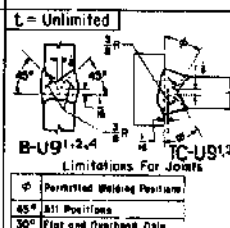
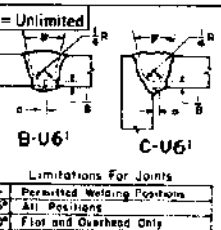
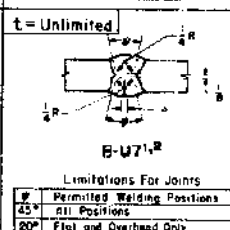


A	B	C	Yield Point-psi*	A	B
1-1/2	3/4	2-3/8	50,000 & Under	1-1/2	3/4
2	1	2-7/8	55,000 to 90,000	2	1
2-1/2	1-1/4	3-3/8	90,000 & Over	2-1/2	1-1/4

\*Minimum Specified

Fig. 11-36. (a) Jig for guided bend test used to qualify operators for work done under AWS and API specifications. (b) Alternate roller-equipped test jig for bottom ejection. (c) Alternate wrap-around test jig.

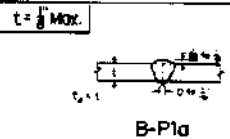
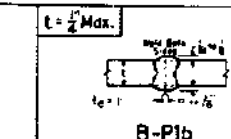
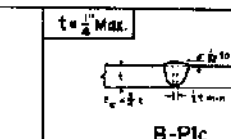
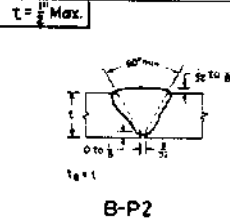
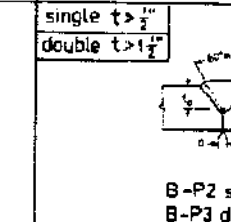
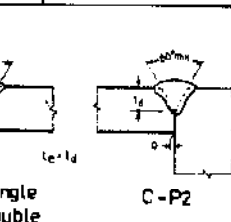
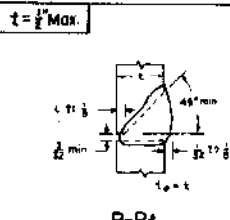
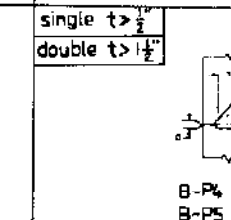
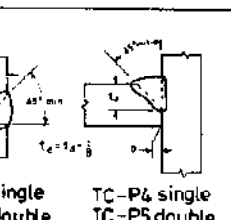
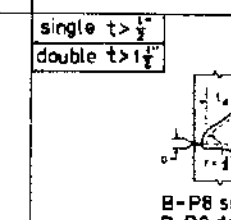
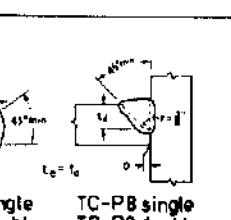
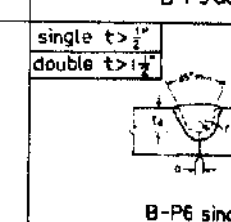
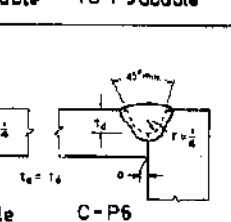
**PREQUALIFIED JOINTS – MANUAL METAL-ARC WELDING  
COMPLETE PENETRATION**

	<b>SINGLE</b> (Welded From Both Sides Without Backing Strip)	<b>SINGLE</b> (Welded From One Side Using Backing Strip)	<b>DOUBLE</b> (Welded From Both Sides Without Spacer Bar)	<b>DOUBLE</b> (Welded From Both Sides Using Spacer Bar)																
<b>SQUARE</b>	 B-L1b1 TC-L1	 C-11 B-L1a																		
<b>VEE</b>	 B-L2' C-L2'	 B-U2 C-U2 Limitations For Joints <table border="1"> <tr><td>45°</td><td>Permitted Welding Positions</td></tr> <tr><td>45°</td><td>All Positions</td></tr> <tr><td>30°</td><td>Flat and Overhead Only</td></tr> <tr><td>30°</td><td>Flat and Overhead Only</td></tr> </table>	45°	Permitted Welding Positions	45°	All Positions	30°	Flat and Overhead Only	30°	Flat and Overhead Only	 B-U3b1,2	 B-U3a1,2 Limitations For Joints <table border="1"> <tr><td>45°</td><td>Permitted Welding Positions</td></tr> <tr><td>45°</td><td>All Positions</td></tr> <tr><td>30°</td><td>Flat and Overhead Only</td></tr> <tr><td>30°</td><td>Flat and Overhead Only</td></tr> </table>	45°	Permitted Welding Positions	45°	All Positions	30°	Flat and Overhead Only	30°	Flat and Overhead Only
45°	Permitted Welding Positions																			
45°	All Positions																			
30°	Flat and Overhead Only																			
30°	Flat and Overhead Only																			
45°	Permitted Welding Positions																			
45°	All Positions																			
30°	Flat and Overhead Only																			
30°	Flat and Overhead Only																			
<b>BEVEL</b>	 B-L4 TC-L4a,b	 B-U4 TC-U4 Limitations For Joints <table border="1"> <tr><td>45°</td><td>Permitted Welding Positions</td></tr> <tr><td>45°</td><td>All Positions</td></tr> <tr><td>30°</td><td>Flat and Overhead Only</td></tr> </table>	45°	Permitted Welding Positions	45°	All Positions	30°	Flat and Overhead Only	 B-U5a1,2,4 TC-U5b1,2,3	 B-U5b1,2,4 TC-U5a1,2,3 Limitations For Joints <table border="1"> <tr><td>45°</td><td>Permitted Welding Positions</td></tr> <tr><td>45°</td><td>All Positions</td></tr> <tr><td>30°</td><td>Flat and Overhead Only</td></tr> </table>	45°	Permitted Welding Positions	45°	All Positions	30°	Flat and Overhead Only				
45°	Permitted Welding Positions																			
45°	All Positions																			
30°	Flat and Overhead Only																			
45°	Permitted Welding Positions																			
45°	All Positions																			
30°	Flat and Overhead Only																			
<b>J</b>	 B-U8 TC-U8a,b Limitations For Joints <table border="1"> <tr><td>45°</td><td>Permitted Welding Positions</td></tr> <tr><td>45°</td><td>All Positions</td></tr> <tr><td>30°</td><td>Flat and Overhead Only</td></tr> </table>	45°	Permitted Welding Positions	45°	All Positions	30°	Flat and Overhead Only		 B-U91,2,4 TC-U91,2,3 Limitations For Joints <table border="1"> <tr><td>45°</td><td>Permitted Welding Positions</td></tr> <tr><td>45°</td><td>All Positions</td></tr> <tr><td>30°</td><td>Flat and Overhead Only</td></tr> </table>	45°	Permitted Welding Positions	45°	All Positions	30°	Flat and Overhead Only					
45°	Permitted Welding Positions																			
45°	All Positions																			
30°	Flat and Overhead Only																			
45°	Permitted Welding Positions																			
45°	All Positions																			
30°	Flat and Overhead Only																			
<b>U</b> <i>Preparation may be prior to or after fitting</i>	 B-U6 C-U6 Limitations For Joints <table border="1"> <tr><td>45°</td><td>Permitted Welding Positions</td></tr> <tr><td>45°</td><td>All Positions</td></tr> <tr><td>30°</td><td>Flat and Overhead Only</td></tr> </table>	45°	Permitted Welding Positions	45°	All Positions	30°	Flat and Overhead Only		 B-U71,2 Limitations For Joints <table border="1"> <tr><td>45°</td><td>Permitted Welding Positions</td></tr> <tr><td>45°</td><td>All Positions</td></tr> <tr><td>30°</td><td>Flat and Overhead Only</td></tr> </table>	45°	Permitted Welding Positions	45°	All Positions	30°	Flat and Overhead Only					
45°	Permitted Welding Positions																			
45°	All Positions																			
30°	Flat and Overhead Only																			
45°	Permitted Welding Positions																			
45°	All Positions																			
30°	Flat and Overhead Only																			

NOTES: If fillet welds are used to reinforce groove welds in Tee and corner joints, they shall be equal to t/4 but shall be 3/8" max. (Section 9 – Bridge requires this reinforcement.)

1. Gauge root before welding second side.
2. Use of this weld preferably limited to base metal thickness 5/8" or larger.
3. Angle of plate intersection for these joints may range from 90 to 45°. See example TC-L4b.
4. Section 9 – Bridge in horizontal position only.
  - When lower plate is bevelled, first weld root pass this side.

**PREQUALIFIED JOINTS – MANUAL METAL-ARC WELDING  
PARTIAL PENETRATION**

 B-P1a	 B-P1b	 B-P1c
 B-P2	 B-P2 single C-P2	 B-P3 double
 B-P4	 B-P4 single TC-P4 single	 B-P5 double TC-P5 double
	 B-P8 single TC-P8 single	 B-P9 double TC-P9 double
	 B-P6 single C-P6	 B-P7 double

- NOTES:
- No back gouging is required for partial penetration welds.
  - Minimum effective throat  $t_e = \sqrt{t/6}$
  - Preparation of second side for double groove joints should be the same as the first side.
  - Section 9 – Bridge allows partial penetration groove welds only in corner joints.

Fig. 11-37. AWS prequalified joints for the manual metal-arc welding process.

**PREQUALIFIED JOINTS -- SUBMERGED-ARC WELDING  
PARTIAL PENETRATION**

<p>Single or Double-Vee Butt</p> <p>B-P2-S Single P-P3-S Double</p>	<p>Single or Double-Bevel Corner</p> <p>C-P4-S Single C-P5-S Double</p>	<p>Single or Double-U Butt</p> <p>B-P6-S Single B-P7-S Double</p>	<p>Single or Double-J Corner</p> <p>C-P8-S Single C-P9-S Double * Inside joint angle is 45°</p>
<p>Single-Vee Corner</p> <p>C-P2-S</p>	<p>Single or Double-Bevel Tee</p> <p>T-P4-S Single T-P5-S Double</p>	<p>Single-U Corner</p> <p>C-P6-S</p>	<p>Single or Double-J Tee</p> <p>T-P8-S Single T-P9-S Double</p>

**NOTES:**

- Wetted in the flat position.
- If root face is less than 1/4", there should be at least one manual bead to prevent burnthrough.
- Minimum effective throat =  $\sqrt{t/6}$ , where t is thickness of thinner part.
- Effective throat = D
- Plate thickness: single groove joint  $\geq 3/4"$ ; double groove joint  $\geq 1/4"$
- For U groove joints, preparation may be before or after fitting.
- Bevel angle for second side should be same as first side except for C-P9-S as indicated.
- Section 9 -- Bridge allows partial penetration groove welds only in corner joints.

**PREQUALIFIED JOINTS -- SUBMERGED-ARC WELDING  
COMPLETE PENETRATION**

<p><b>BEVEL</b></p> <p>SINGLE (Welded From Both Sides Without Backing Strip)</p> <p>C-L4-S ** T-L4-S **</p> <p>Manual Straddles Method Arcs Submerged Arc Filler Weld Backing Weld</p>	<p>SINGLE (Welded From One Side Using Backing Strip)</p> <p>C-U4-S ** T-U4-S **</p> <p>45°/30°</p>	<p>DOUBLE (Welded From Both Sides)</p> <p>C-U5-S ** T-U5-S **</p>																
<p><b>VEE</b></p> <p>B-L2b-S</p> <p>B-L2c-S</p> <p>C-L2a-S</p> <p>C-U2-S</p> <p>Back Gauge</p> <table border="1"> <tr> <th>W</th> <th>R</th> <th>Max. Thickness (T)</th> </tr> <tr> <td>3/8"</td> <td>1/4"</td> <td>B-L2b-S B-L2c-S</td> </tr> <tr> <td>2"</td> <td>3/8"</td> <td>Unlimited</td> </tr> <tr> <td></td> <td></td> <td>C-U2-S</td> </tr> </table>	W	R	Max. Thickness (T)	3/8"	1/4"	B-L2b-S B-L2c-S	2"	3/8"	Unlimited			C-U2-S	<p>B-U3a-S</p> <p>B-U3b-S</p> <p>B-L3-S</p> <p>B-U3c-S</p> <p>Back Gauge</p> <p>Preparation may be before or after fitting</p>					
W	R	Max. Thickness (T)																
3/8"	1/4"	B-L2b-S B-L2c-S																
2"	3/8"	Unlimited																
		C-U2-S																
<p><b>SQUARE WELD FROM BOTH SIDES</b></p> <p>DOUBLE (Welds Must Be Centered on Joint)</p> <p>B-U1-S</p> <p>C-L1-S</p> <p>T-L1-S</p>	<p>DOUBLE</p> <p>For 6:10c-S</p> <table border="1"> <tr> <th>T</th> <th>T1</th> </tr> <tr> <td>Over 2</td> <td>1-3/8</td> </tr> <tr> <td>2-1/2</td> <td>1-3/4</td> </tr> <tr> <td>3</td> <td>2-1/8</td> </tr> <tr> <td>3-5/8</td> <td>2-3/8</td> </tr> <tr> <td>4</td> <td>2-3/4</td> </tr> <tr> <td>4-3/4</td> <td>3-1/4</td> </tr> <tr> <td>5-1/2</td> <td>3-3/4</td> </tr> </table> <p>For T &gt; 6 1/4, T1 = 2-1/2 (T-1)</p>	T	T1	Over 2	1-3/8	2-1/2	1-3/4	3	2-1/8	3-5/8	2-3/8	4	2-3/4	4-3/4	3-1/4	5-1/2	3-3/4	<p>DOUBLE</p> <p>Preparation may be before or after fitting</p>
T	T1																	
Over 2	1-3/8																	
2-1/2	1-3/4																	
3	2-1/8																	
3-5/8	2-3/8																	
4	2-3/4																	
4-3/4	3-1/4																	
5-1/2	3-3/4																	

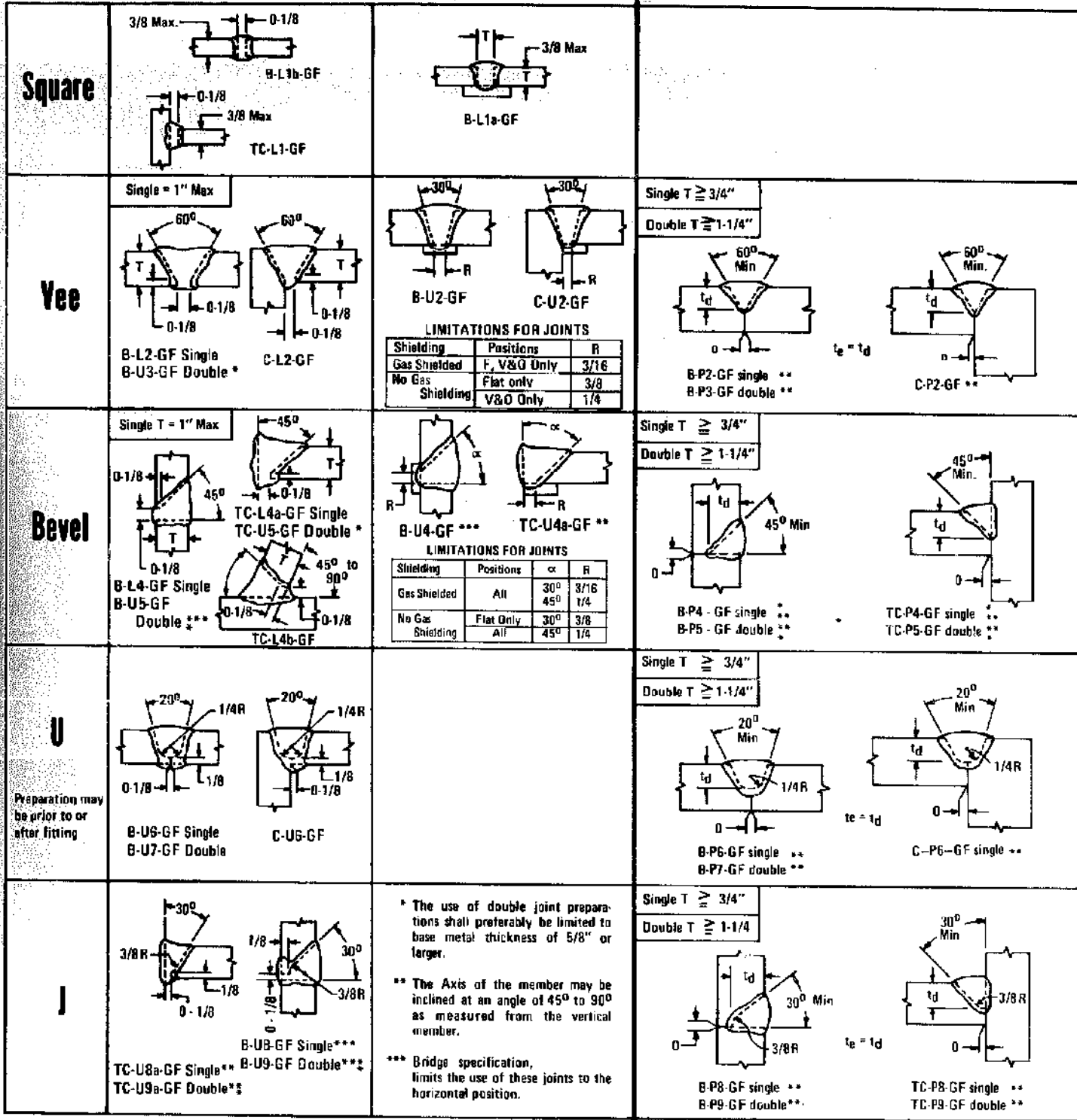
- NOTES:**
- \* Manual weld with low-hydrogen electrode first. Back gauge root then submerged arc weld.
  - \*\* Angle of plate intersection for the joint may be from 50 to 45°.
  - If filler welds are used to reinforce groove welds in tee and corner joints, they shall be equal to T/4 but not more than 3/8". (Section 9
  - Bridge requires this reinforcement.)

**Fig. 11-38. AWS prequalified joints for the submerged-arc welding process.**

## PREQUALIFIED JOINTS GAS METAL-ARC AND FLUX-CORED ARC WELDING

### COMPLETE PENETRATION

### PARTIAL PENETRATION



**NOTES:**

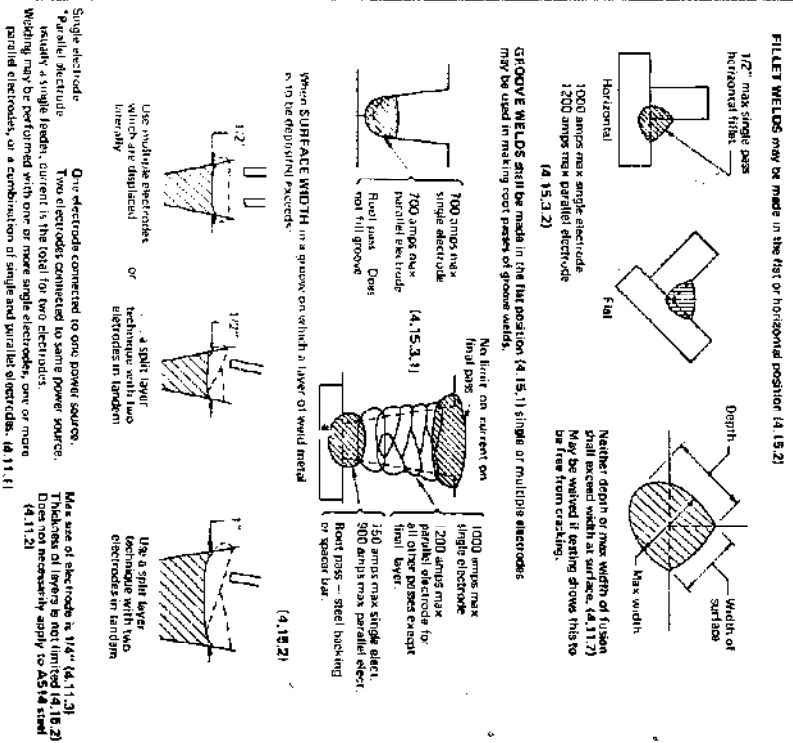
1. Gouge roots of joints without backing before welding other side.
2. See 2.13.2 for allowable variation of dimensions and 3.3.4 for workmanship tolerances.
3. If fillet welds are used to reinforce groove welds in tee and corner joints, they shall be equal to T/4 but not more than 3/8 in.; groove welds in tee and corner joints for bridges shall be reinforced with fillet welds equal to T/4 but not more than 3/8 in.

**NOTES:**

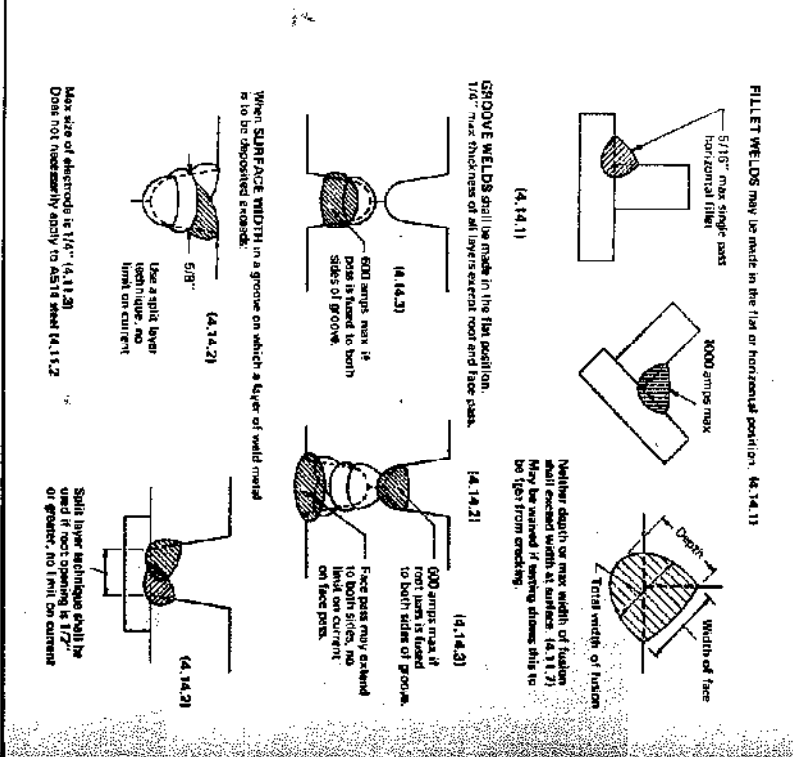
- \* Effective throat = D for welds made in flat or horizontal position or D-1/8" for welds made in vertical or overhead position.
- \*\* Minimum effective throat =  $\sqrt{T/6}$
- \*\*\* AWS bridge spec allows partial penetration groove welds only in corner joints.

Fig. 11-39. AWS prequalified joints for the gas metal-arc and flux-cored arc welding processes.

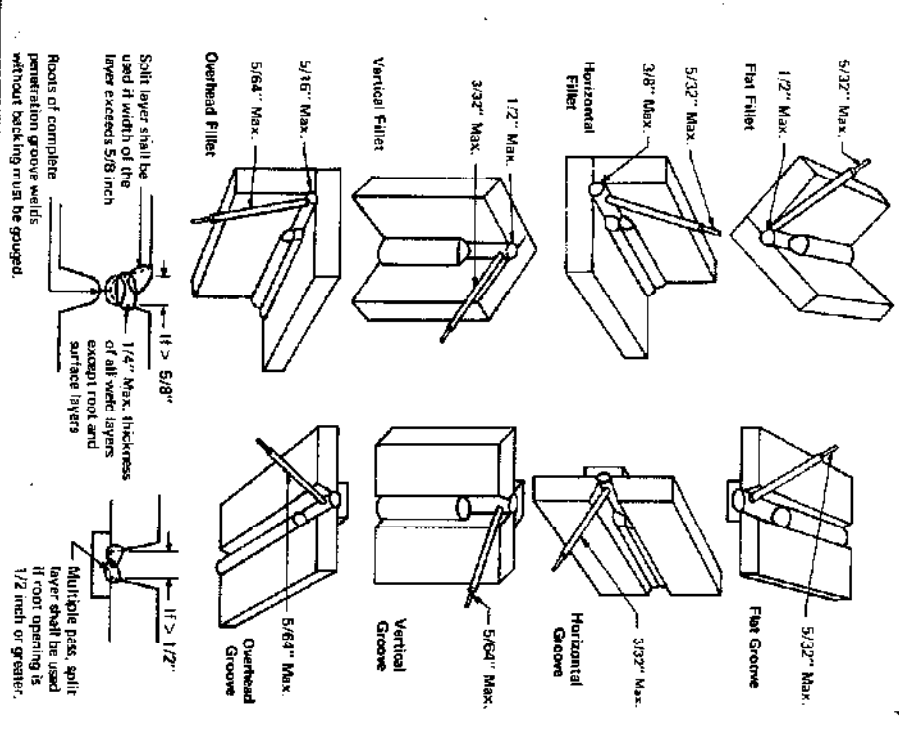
**SUBMERGED ARC-WELDING PROCEDURES - Multiple Electrodes**



**SUBMERGED ARC-WELDING PROCEDURES - Single Electrodes**



**GAS METAL ARC & FLUX-CORED ARC WELDING - Single Electrode**



**MANUAL SHIELDED METAL-ARC WELDING**

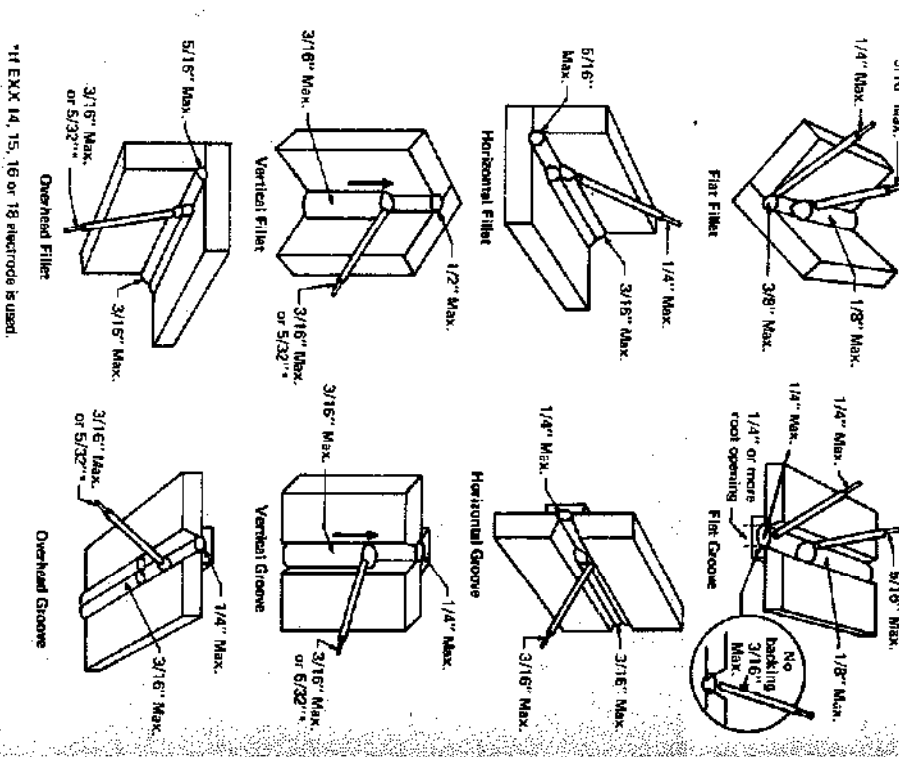


Fig. 11.40. AWS procedures for welding prequalified joints.

## AWS PREQUALIFIED JOINTS

In the discussion of procedure qualification, mention was made of prequalified joints and procedures. These are the joints and procedures recognized and approved by AWS specifications as applicable to the welding of structural members in buildings and bridges. Figures 11-37, 38, and 39 illustrate prequalified joints, and Fig. 11-40 the procedures for welding such joints.

When the work involves these joints and welding procedures, the AWS Structural Welding Code does not require procedure qualification tests.

## AWS QUALIFICATION TESTS FOR PIPING AND TUBING

American Welding Society Standard D10.9 covers the qualification of procedures and personnel for the welding of pipe, tubing, and associated components. The standard provides three levels of qualification, termed Acceptance Requirements 1, 2, and 3 — abbreviated AR-1, AR-2, and AR-3, respectively. AR-1 is the highest level of qualification, followed by AR-2 and AR-3. The differences lie in the type of tests and the acceptance requirements for the sample welds.

Each of the three levels of welding procedure qualification has a corresponding level of weldor qualification. Qualification to a given level automatically qualifies for all lower levels. For example, qualification to AR-1 also qualifies AR-2 and AR-3.

The relationships between welding procedure qualification and weldor qualification are shown below:

Level Required	Level of Procedure Qualification	Level of Weldor Qualification
AR-1	AR-1	AR-1
AR-2	AR-2 or AR-1	AR-2 or AR-1
AR-3	AR-3 or AR-2 or AR-1	AR-3 or AR-2 or AR-1

Typical applications for the three levels are as follows:

**AR-1** — This level applies to systems where the highest degree of weld quality is required. Use of the AR-1 level of quality is intended to provide the confidence required for pipelines that may be found in nuclear-energy, space, high-pressure, high-temperature, chemical, or gas systems.

Some contract specifications may have requirements even more stringent than those required by AR-1. In such cases the qualification must comply

with AR-1, plus the additional tests, inspection methods, and acceptance standards required by the contract specifications.

**AR-2** — This level applies to systems where a high degree of weld quality is required. Use of the AR-2 level of quality is intended to provide the confidence necessary for some lines that may be found in nuclear-energy, steam, water, petroleum, gas, or chemical systems.

**AR-3** — This level applies to systems where a nominal degree of weld quality is required. Use of the AR-3 level of quality is intended to provide the confidence adequate for lines such as low-pressure heating, air-conditioning, and sanitary water.

The standard provides for qualification with groove and fillet welds. Procedure and weldor qualification with groove welds automatically qualifies for fillet welds. However, if fillet welds alone are required for the specific job, the welding procedure and weldor can be qualified for fillet welds only.

### AR-1 Welding Procedure Qualification

Table 11-4 shows the welds and tests required for AR-1 procedure qualification. The test positions are shown in Fig. 11-41.

The notes (a) through (k) for Table 11-4 are important to use of the table. They are too voluminous for inclusion in the table, itself, and, in lieu of this customary arrangement, are presented here in the text. The applicable notes to the table state that:

- (a) The pipe sizes in the table may not be appropriate for the job-size pipe to be welded. In such instances, actual job-size pipe may be substituted.
- (b) For pipe having a wall thickness less than 0.063 in., individual qualification is required for each thickness by visual, penetrant, X-ray, and tensile tests.
- (c) The maximum thickness qualified using the oxyacetylene process is the thickness of the base metal of the sample weld. (This note is not applicable to arc welding.)
- (d) Procedures qualified prior to issuance of AWS D10.9 may be updated by performing any additional tests required by the standard.
- (e) For pipe used at low temperature, impact tests may be required. The purchaser and fabricator should agree in advance on the

TABLE 11-4. AR-1 Level of Welding Procedure Qualification

SAMPLE WELDS					TESTS REQUIRED (d)(e)						
Wall Thickness 3/4" and Under					Visual (f) Inspection	Penetrant (g) Inspection Optional	Radiography (h)	Tensile (i) Test	Bend Tests (j)(k) Number of Specimens		
Pipe Size (a) of Sample Weld	Pipe or Tube Size Qualified	Pipe or (b)(c) Tube Wall Thickness Qualified		Number of Sample Welds per Position					Number of Specimens	Face	Root
		Min.	Max.								
1/2" Sch. 40	Through 1-1/2"	.063"	.400"	2	Yes	Yes	Yes	2	0	0	0
2" Sch. 80	1" Through 4"	.063"	.674"	2	Yes	Yes	Yes	2	2	2	0
5" Sch. 80	Over 4"	.187"	.750"	1	Yes	Yes	Yes	2	2	2	0
Wall Thickness Over 3/4"											
8" Sch. 120	5" and Over	.187"	Any	1	Yes	Yes	Yes	2	0	0	4

Notes: See Text ("AR 1 Welding Procedure Qualification") for explanation of (a) through (k).

type and number of test specimens, areas from which the specimens are to be taken, testing temperature, and the acceptance requirements.

(f) Visual inspection before welding shall determine that the proper base metal is used and the fitup is proper.

Visual inspection during welding shall include determining that the proper filler metal is used and inspection for cracks, undercut, porosity, incomplete fusion, and proper cleaning between passes.

Visual inspection after welding and heat treatment, if any, shall determine that the weld is free from cracks, surface porosity, and unfilled craters, and that the weld face is at least flush with the outside surface of the pipe. The weld reinforcement shall not exceed the following:

Pipe Wall Thickness, in.	Reinforcement max., in.
3/8 and less	3/32
Over 3/8 to 3/4 incl.	1/8
Over 3/4	3/16

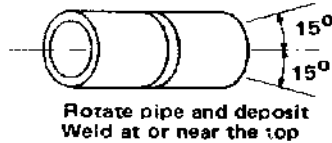
The root of the weld shall show no evidence of cracks or incomplete fusion. A concave root surface is permitted providing the weld throat is equal to or greater than the base metal and the concavity or convexity of the root surface does not exceed the following:

Sample Weld Pipe Size	Maximum Root-Surface Concavity, in.	Maximum Root-Surface Convexity, in.
1/2" Sch. 40	1/32	1/16
2" Sch. 80	1/16	1/16
5" Sch. 80	1/16	3/32
8" Sch. 120	1/16	3/32

(g) Penetrant inspection is required only if this type of examination is used in production. Each sample weld shall be examined by

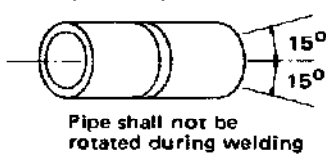
1G POSITION

Pipe horizontal rolled  
Weld flat ( $\pm 15^\circ$ )



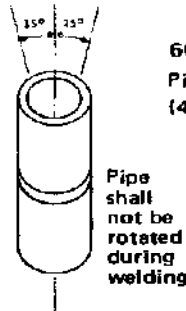
5G POSITION

Pipe horizontal fixed ( $\pm 15^\circ$ )  
Weld flat, vertical, overhead



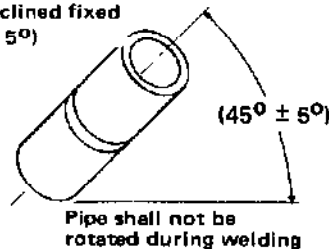
2G POSITION

Pipe vertical  
Weld horizontal ( $\pm 15^\circ$ )



6G POSITION

Pipe inclined fixed ( $45^\circ \pm 5^\circ$ )

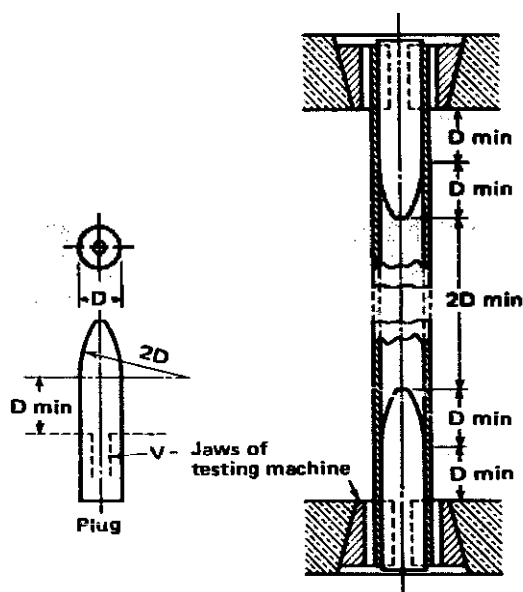


The limits of qualification in a given position are shown below:

1. Qualification in the 1G position qualifies only for this position.
2. Qualification in the 2G position qualifies for welding in the 1G and 2G positions only.
3. Qualification in the 5G position qualifies for welding in the 1G and 5G positions only.
4. Qualification in both the 2G and 5G positions qualifies for welding in all positions.
5. Qualification in the 6G position qualifies for welding in all positions, because it includes elements of those positions.
6. Qualification in a position other than the four standard positions described above is valid only for that position (plus or minus 15 degrees).

Fig. 11-41. Test positions used in qualifying procedures for welding pipe and tubing under AWS D10.9.



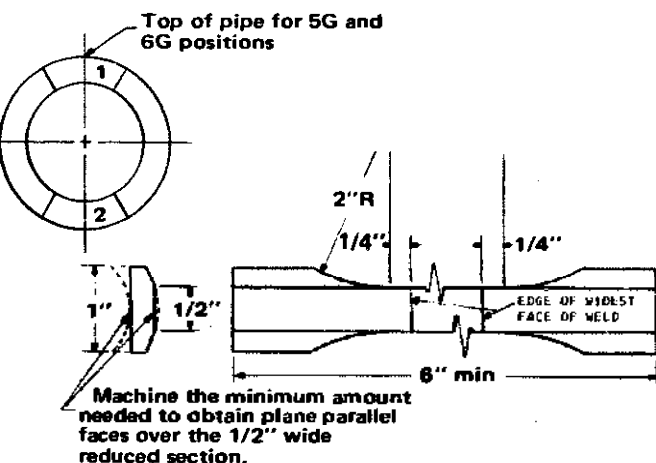


11-42. Fixture used for the tensile testing of small-diameter and wall pipe.

liquid penetrant in accordance with A-2 or B-3 of ASTM E165. The weld shall be inspected at the completion of welding, including any postheating. Dry-powder magnetic-particle inspection in accordance with ASTM E109 may be used in lieu of liquid-penetrant inspection.

(h) Radiographic inspection is required for all welds of the AR-1 level. For specific techniques and acceptance requirements, see AWS D10.9.

(i) For 1/2-in. pipe and all thin-wall pipe, the entire joint is tested in tension. Remove the weld reinforcement until it is flush with the base metal. Measure the outside diameter and the wall thickness before testing, and



11-43. Method of preparing tensile specimens from 2-in. pipe for bend qualification tests.

calculate the pipe cross section. Test the pipe in tension using a fixture as shown in Fig. 11-42.

From the 2-in. sample welds, two tensile specimens are cut from one sample weld and prepared as in Fig. 11-43.

From the 5 and 8-in. sample welds, tensile specimens are prepared as in Fig. 11-44.

The tensile test specimens may fail in the base metal, heat-affected zone, or in the weld metal, and are acceptable if the tensile strength is equal to or greater than the minimum specified for the plate.

(j) From 2-in. sample welds, four bend specimens are cut from one sample weld and are prepared as in Fig. 11-45. From 5 and 8-in. sample welds, bend specimens are cut and prepared as in Fig. 11-44. Side bends may be used for wall thicknesses over 3/8 in.

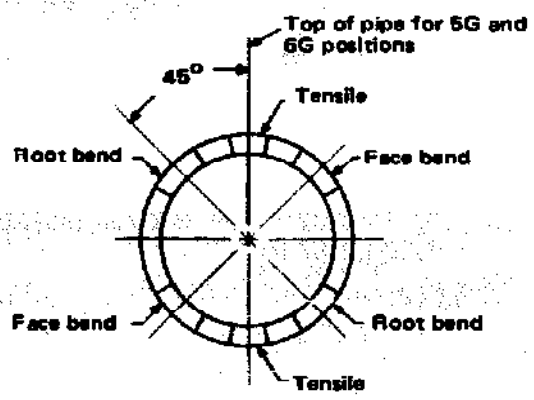
Bend specimens are tested in a guided-bend jig or a wrap-around jig, as shown in Fig. 11-46.

When using the guided-bend jig, the specimen shall be placed on the die with the weld at mid-span. Face-bend specimens shall be placed with the face of the weld directed toward the gap; root-bend specimens shall be placed with the root of the weld directed toward the gap, and side-bend specimens with the surface having the greatest defects, if any, toward the gap.

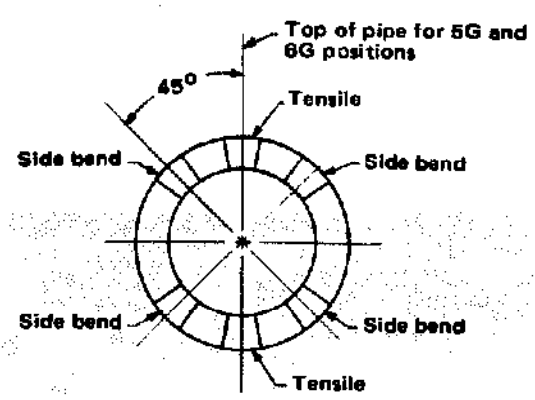
The plunger shall force the specimen into the die until the specimen becomes U-shaped and a 1/8-in.-diameter wire cannot be inserted between the die and the specimen. The weld and heat-affected zones shall be centered and completely within the bent portion of the specimen after testing.

When using the wrap-around jig, the specimen shall be firmly clamped on one end so that there is no sliding of the specimen during the bending operation. The weld and heat-affected zones shall be completely in the bent portion of the specimen after testing. Test specimens shall be removed from the jig when the outer roll has been moved 180° from the starting point.

In order to pass the test, the bent specimens shall have no cracks or other open defects exceeding 1/8-in. measured in any direction

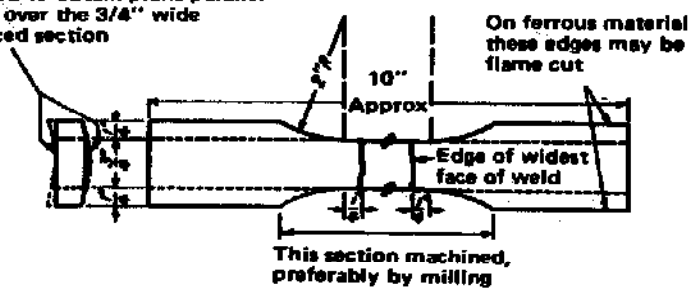


PIPE WALL 3/8" OR LESS

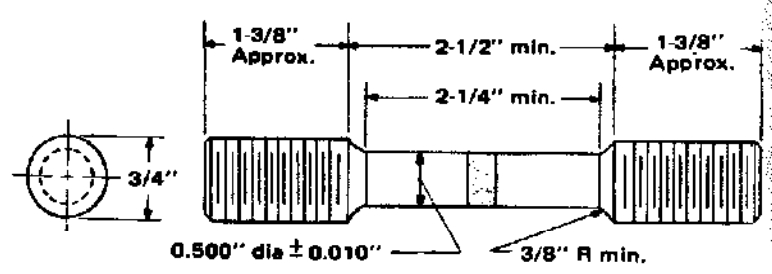


PIPE WALL OVER 3/8"

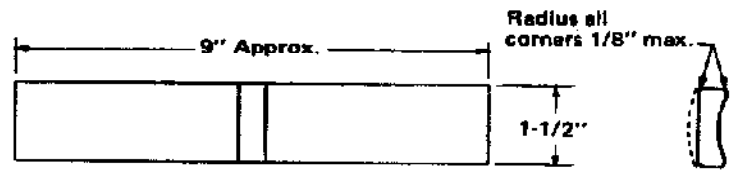
Machine the minimum amount needed to obtain plane parallel faces over the 3/4" wide reduced section



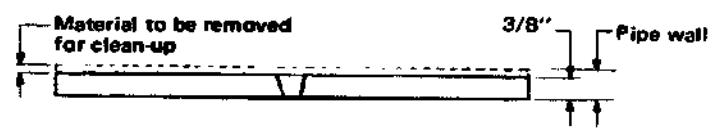
TENSILE SPECIMEN



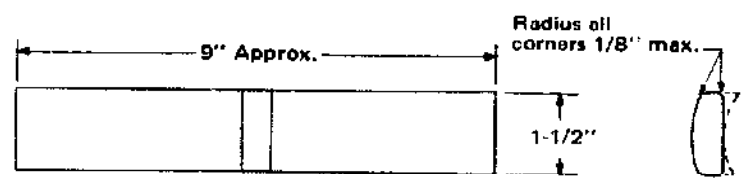
ALTERNATE TENSILE SPECIMEN FOR PIPE WALL 3/4" AND OVER



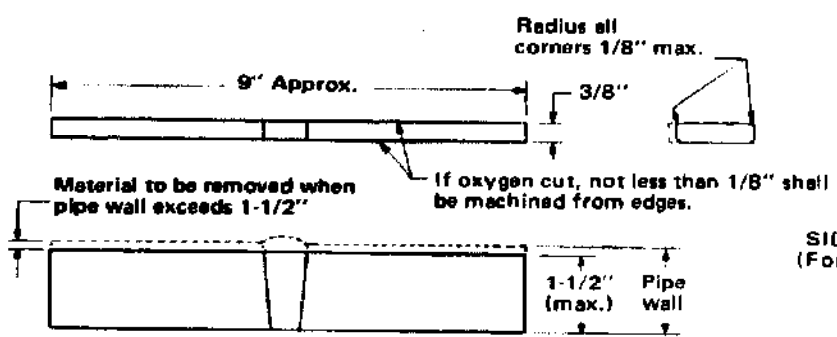
ROOT BEND SPECIMEN



Note: Weld reinforcement and backing, if any, shall be removed flush with the surface of the specimen. Cut surfaces shall be smooth and parallel.



FACE BEND SPECIMEN



SIDE BEND SPECIMEN (For pipe over 3/8" thick)

Fig. 11-44. Method of preparing test specimens from 5 and 8-in pipe for procedure qualification tests.

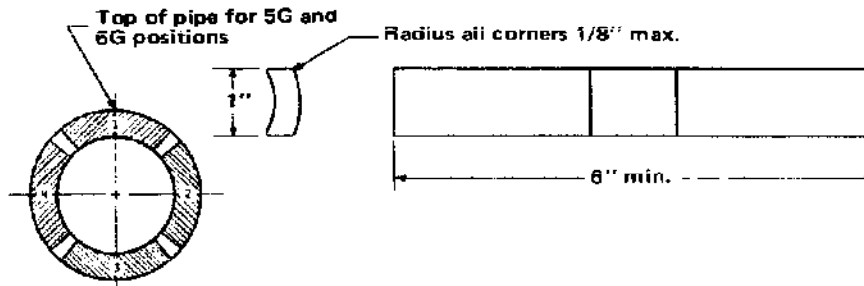
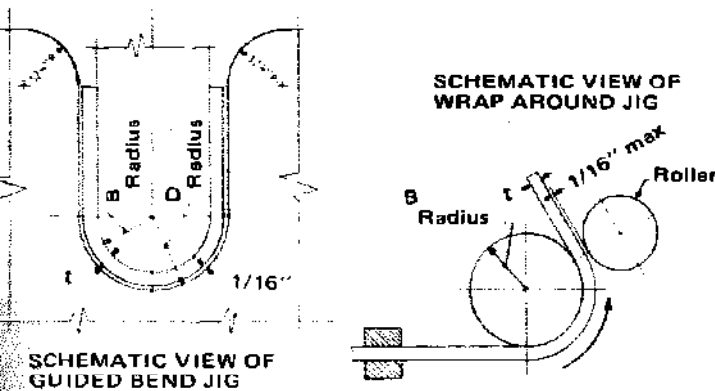


Fig. 11-45. Method of preparing bend specimens from 2-in. pipe for procedure qualification tests.



Sample Thickness and Jig Dimensions			
Material	Sample Thickness, in.	Radius of Bend, "B," in.	Radius of Die, "D," in.
Steel	$t$ 0.218 0.375	$3-1/3 t$ 3/4 1-1/4	$4-1/3 t + 1/16$ 1-1/32 1-11/16

Fig. 11-46. Jigs for the bend tests in procedure qualification. For metals other than steel, see AWS D10.9, Table 4

on the convex surface of the specimen, except that cracks occurring at the corners shall not be considered unless there is definite evidence that they result from slag inclusions or other internal defects.

- (k) For more ductile materials, a higher sensitivity to bending may be required. Any changes in the bend test should be agreed upon in advance between the purchaser and the fabricator.

The sample welds and the tests required are shown in Table 11-5. The notes to this table are as follows:

- (a) The same as Note (a) under AR-1 procedure qualification.
- (b) The same as Note (c) under AR-1 procedure qualification.
- (c) Weldors qualified prior to the issuance of Standard AWS D10.9 may be updated by performing any additional tests required by the standard.
- (d) The same as Note (f) under AR-1 procedure qualification, with the exception that —  
Burring or grinding may be used on stops and starts and to remove local defects from

**AR-1 Weldor Qualification**

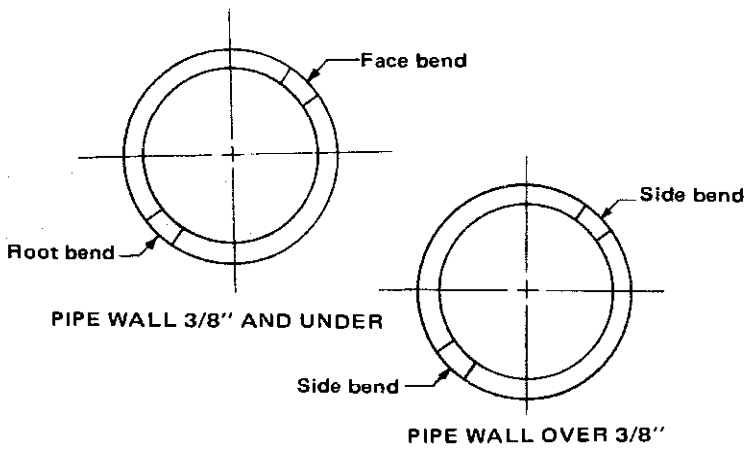
The welding positions for weldor qualification are the same as for procedure qualification (Fig. 11-41).

TABLE 11-5. AR-1 Level of Weldor Qualification

SAMPLE WELDS					TESTS REQUIRED ON SAMPLE WELDS (c)							
Pipe Size (a) of Sample Weld	Pipe or Tube Size Qualified	Pipe or Tube (b) Wall Thickness Qualified, in.		Number of Sample Welds per Position	Visual (d) Inspection	Radiography (e)	Bend Tests (f) Number of Specimens					
		Min.	Max.				All Positions except 5G & 6G			5G & 6G Positions Only		
							Face	Root	Side	Face	Root	Side
2" Sch. 80	Through 4"	.063	.674	1	Yes	Yes	1	1	0	2	2	0
5" Sch. 80	Over 4"	.187	.750	1	Yes	Yes	1	1	0	2	2	0
8" Sch. 120	5" and Over	.187	Any	1	Yes	Yes	0	0	2	0	0	4

Notes: See Text ("AR-1 Weldor Qualification") for explanation of (a) through (f).

**SPECIMENS FOR 1G AND 2G POSITIONS**

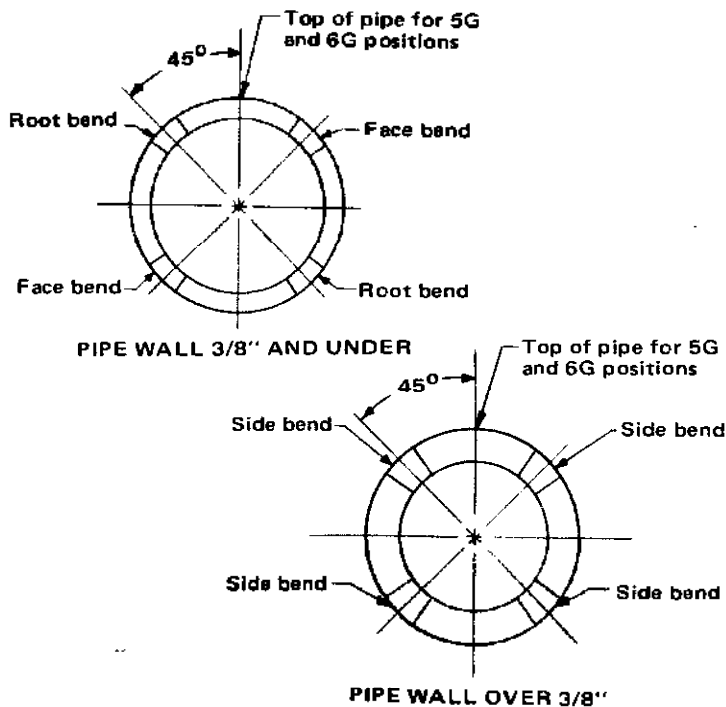


**Fig. 11-47.** Location of bend specimens for the 1G and 2G positions in weldor qualification tests.

bead to bead, but dressing of the completed sample weld is limited to removing local defects appearing on the outer surface of the weld reinforcement. Repair of any root defect is prohibited.

The weldor qualification test may be terminated at any stage of the testing whenever it becomes apparent to the supervisor conducting the test that the weldor (a) is not following the welding procedure or (2) does

**SPECIMENS FOR 5G and 6G POSITIONS**



**Fig. 11-48.** Location of bend specimens for the 5G and 6G positions in weldor qualification tests.

not have the skill required to produce satisfactory results.

- (e) Radiographic inspection is required by all weldor qualification tests for AR-1 level. For specific techniques and acceptance requirements, see AWS D10.9. Radiographic inspection shall not be used to locate sound or defective areas and thereafter make destructive tests to qualify or disqualify a weldor.
- (f) For 1G and 2G positions, remove two specimens at random approximately 180° apart, as shown in Fig. 11-47.

For the 5G and 6G positions, remove four specimens as shown in Fig. 11-48.

Machine all bend specimens as shown in Fig. 11-49.

The bend jigs (Fig. 11-46), methods of testing, and the acceptance requirements are the same as note (j) to Table 11-4, in reference to procedure qualification.

**AR-2 Welding Procedure Qualification**

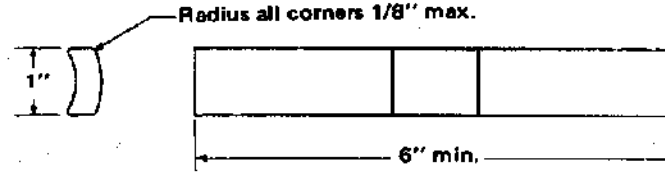
The qualifying welding positions for the AR-2 level of procedure qualification are the same as shown in Fig. 11-41. The sample welds and tests required are given in Table 11-6. Note that a major difference from the tests for AR-1 procedure qualification is that radiography tests are optional. The applicable notes are:

- (a) The same as Note (a) under AR-1 procedure qualification.
- (b) The same as Note (c) under AR-1 procedure qualification.
- (c) The same as Note (d) under AR-1 procedure qualification.
- (d) The same as Note (f) under AR-1 procedure qualification, except that an undercut not exceeding 1/32-in. is permissible on visual inspection and that a maximum root surface convexity 1/16-in. greater than with AR-1 procedures is permitted with 2-in., 5-in., and 8-in. pipe.

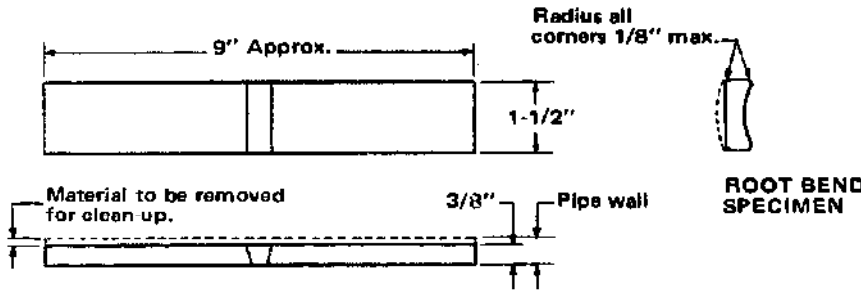
The applicable restrictions are as follows:

Sample Weld Pipe Size	Maximum Root-Surface Concavity, in.	Maximum Root-Surface Convexity, in.
1/2" Sch. 40	1/32	1/16
2" Sch. 80	1/16	1/8
5" Sch. 80	1/16	1/8
8" Sch. 120	1/16	1/8

For the 2" sample welds, machine the specimens as shown below:



For the 5" and 8" sample welds, machine the specimens as shown below:



Note: Weld reinforcement and backing, if any, shall be removed flush with the surface of the specimen. Cut surfaces shall be smooth and parallel

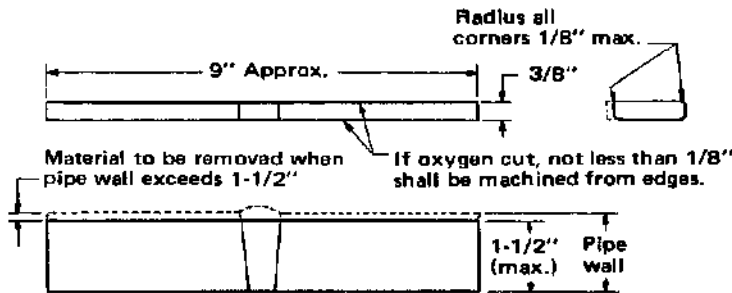
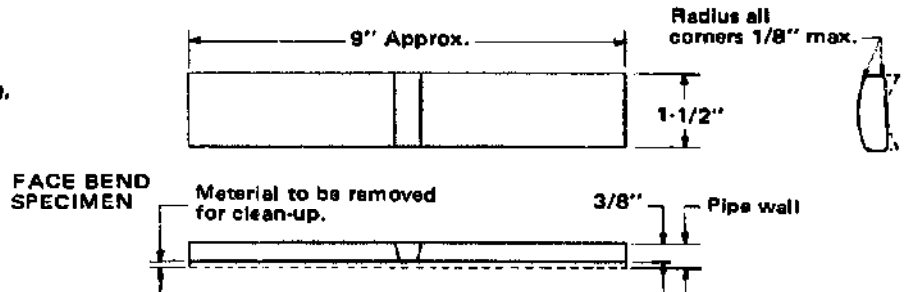


Fig. 11-49. Bend specimens for weldor qualification.

TABLE 11-6. AR-2 Level of Welding Procedure Qualification

SAMPLE WELDS					TESTS REQUIRED (c)						
Wall Thickness 3/4 inch and Under					Visual (d) Inspection	Radiography (e) Optional	Tensile (f) Test	Bend Tests (g) Number of Specimens			
Pipe Size of (a) Sample Weld	Pipe or Tube Size Qualified	Pipe or Tube (b) Wall Thickness Qualified		Number of Sample Welds per Position				Number of Specimens	Face	Root	Side
		Min.	Max.								
1/2" Sch. 40	Through 1-1/2"	.063"	.400"	2	Yes	Yes	2	0	0	0	
2" Sch. 80	1" Through 4"	.063"	.674"	2	Yes	Yes	2	2	2	0	
5" Sch. 80	Over 4"	.187"	.750"	1	Yes	Yes	2	2	2	0	
Wall Thickness Over 3/4"					Visual (d) Inspection	Radiography (e) Optional	Tensile (f) Test	Bend Tests (g) Number of Specimens			
8" Sch. 120	5" and Over	.187"	Any	1				Yes	Yes	2	0

Notes: See Text ("AR-2 Welding Procedure Qualification") for explanation of (a) through (g).

TABLE 11-7. AR-2 Level of Weldor Qualification

SAMPLE WELDS				TESTS REQUIRED ON SAMPLE WELDS (c)								
Pipe Size (a) of Sample Weld	Pipe or Tube Size Qualified	Pipe or Tube (b) Wall Thickness Qualified, In.		Number of Sample Welds per Position	Visual (d) Inspection	Radiography (e)	Bend Tests (f) Number of Specimens					
		Min.	Max.				All Positions except 5G & 6G			5G & 6G Positions Only		
							Face	Root	Side	Face	Root	Side
2" Sch. 80	Through 4"	.063	.674	1	Yes	Optional (g)	1	1	0	2	2	0
5" Sch. 80	Over 4"	.187	.760	1	Yes	Optional (g)	1	1	0	2	2	0
8" Sch. 120	6" and Over	.187	Any	1	Yes	Optional (g)	0	0	2	0	0	4

Notes: See Text ("AR-2 Weldor Qualification") for explanation of (a) through (g).

- (e) Required only if production welds are to be radiographically inspected.
- (f) The same as Note (i) under AR-1 procedure qualification.
- (g) The same as Note (j) under AR-1 procedure qualification.

qualification.

- (g) Radiographic inspection may be used in place of the bend tests if the production welds require radiography.

**AR-2 Weldor Qualification**

The qualifying positions are those in Fig. 11-41 and the samples and tests required are shown in Table 11-7.

The notes to this table are as follows:

- (a) The same as Note (a) under AR-1 procedure qualification.
- (b) The same as Note (c) under AR-1 procedure qualification.
- (c) The same as Note (c) under AR-1 weldor qualification.
- (d) The same as Note (d) under AR-1 weldor qualification.
- (e) Radiography tests are optional and are made in accordance with the techniques and acceptance requirements described in AWS D10.9.
- (f) The same as Note (j) under AR-1 procedure

**AR-3 Welding Procedure Qualification**

The qualifying positions are as shown in Fig. 11-41. The sample welds and tests required are given in Table 11-8.

The applicable notes are:

- (a) The same as note (a) under AR-1 procedure qualification.
- (b) The same as Note (c) under AR-1 procedure qualification.
- (c) The same as Note (f) under AR-1 procedure qualification, except that an undercut not exceeding 1/32-in. is permissible and the concavity or convexity of the root surface may not exceed the following:

Sample Weld Pipe Size	Maximum Root-Surface Concavity, in.	Maximum Root-Surface Convexity, in.
1/2" Sch. 40	1/32	1/16
2" Sch. 40	1/16	1/8
5" Sch. 40	1/16	1/8

TABLE 11-8. AR-3 Level of Welding Procedure Qualification  
LIMITED TO PIPE UP TO AND INCLUDING 10" DIAMETER AND 3/8" WALL THICKNESS

SAMPLE WELDS				TESTS REQUIRED			
Pipe Size of Sample Weld	Pipe or Tube Size Qualified	Pipe or Tube (b) Wall Thickness, (t) Qualified		Number of Sample Welds per Position	Visual (c) Inspection	Pressure (d) Bend	Macrostructure (e) No. of Specimens
		Min.	Max.				
						1/2" Sch. 40	
2" Sch. 40	1" Through 4"	1/2 t	2 t	1	Yes	1	0
5" Sch. 40 (a)	4-1/2" Through 10"	1/2 t	3/8"	1	Yes	0	4

Notes: See Text ("AR-3 Welding Procedure Qualification") for explanation of (a) through (e).

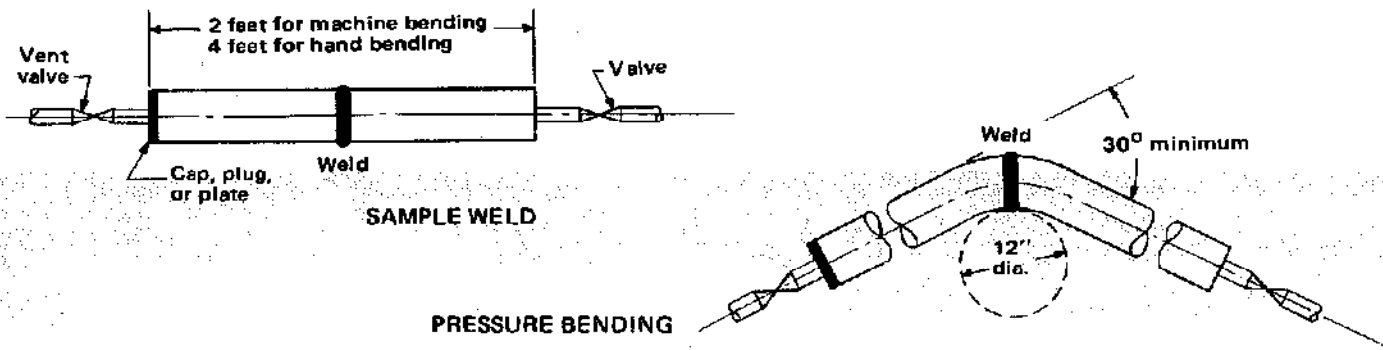


Fig. 11-50. The pressure bend test used in AR-3 procedure qualification.

(d) Prepare one sample weld for each position to be qualified for the 1/2-in. Schedule 40 and 2-in. Schedule 40 pipe as shown in Fig. 11-50. Fill with water at city pressure (25 psig minimum) and close the valve. Bend around a 12-in.-diameter mandrel as shown. The weld is acceptable if there are no leaks after a 30° bend.

(e) Section, polish, and etch the 5-in. Schedule 40 specimen as shown in Fig. 11-51. The etched sections shall show no cracks, inadequate penetration, or incomplete fusion. Concavity shall not exceed 1/16 in., and the accumulated slag and porosity shall not exceed 1/8 in. from root to face of the weld.

In lieu of this test, the 5-in. weld sample may be tested by preparing four bend samples as shown in Fig. 11-45, except the sample width shall be 1-1/2 in. wide. Bend two face and two root specimens with a fixture shown in Fig. 11-46, with "t" equal to 0.375 in. The weld is acceptable if none of the specimens undergo complete failure.

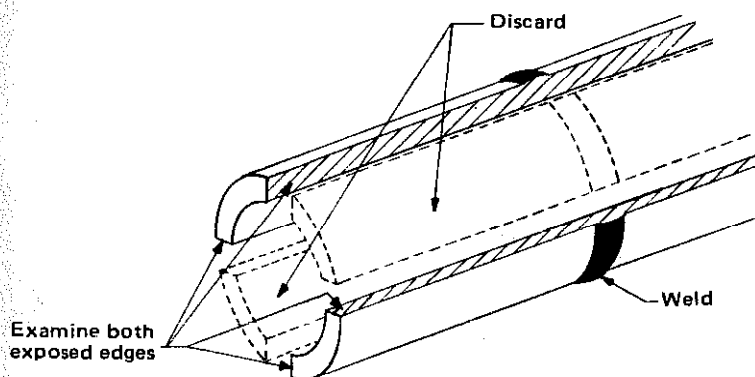


Fig. 11-51. Specimen for macrostructure examination as permitted in AR-3 procedure qualification.

### AR-3 Weldor Qualification

The qualifying welding positions are as shown in Fig. 11-41. The sample welds and tests are shown in Table 11-9.

The notes are:

- The same as Note (a) under AR-1 procedure qualification.
- The same as Note (c) under AR-1 procedure qualification.
- The same as Note (c) under AR-1 weldor qualification.
- The same as Note (d) under AR-1 weldor qualification.
- The same as Note (d) under AR-3 procedure qualification, except that the 1/2-in. Schedule 40 sample is omitted.
- The same as Note (e) under AR-3 procedure qualification.

### Procedure and Weldor Qualification for Fillet Welds

As mentioned earlier, welding procedure qualification and weldor qualification using groove welds automatically qualifies the procedure or the weldor for fillet welds. However, if only fillet welds are required in production, the welding procedure and the weldor can be qualified for fillet welds only. The sample welds, tests, and acceptance requirements are the same for both procedure and weldor qualification.

A pipe assembly is prepared as shown in Fig. 11-52. Test welds are made as shown in Fig. 11-53 to qualify for all positions. Weld No. 1 is completed with the axis of the assembly in the horizontal position and without rotation. Weld No. 2 is completed with axis of the assembly in the vertical position and without rotation.

TABLE 11-9. AR-3 Level of Weldor Qualification

SAMPLE WELDS				TESTS REQUIRED ON SAMPLE WELDS (c)			
Pipe Size (a) of Sample Weld	Pipe or Tube Size Qualified	Pipe or Tube (b) Wall Thickness Qualified, In.		Number of Sample Welds per Position	Visual (d) Inspection	Pressure (e) Bend, Number of Sample Welds Tested	Macrostructure (f) Examination, No. of Etched Specimens
		Min.	Max.				
2" Sch. 40	Through 4"	.063	.375	1	Yes	1	0
5" Sch. 40	4-1/2 Through 10"	.187	.375	1	Yes	0	4

Notes: See Text ("AR-3 Weldor Qualification") for explanation of (a) through (f).

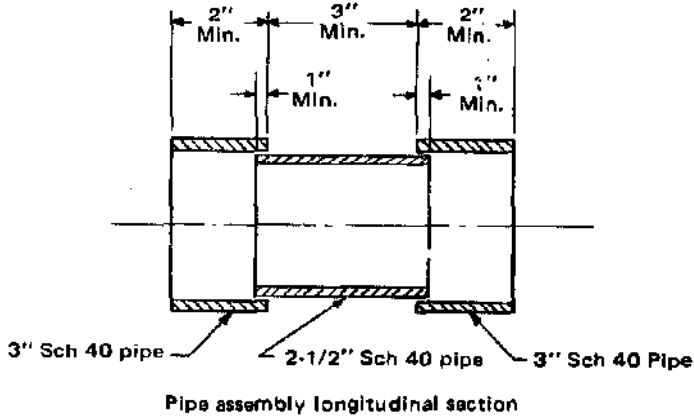


Fig. 11-52. The pipe assembly used for qualifying procedures and weldors for fillet welds.

Each sample joint must be inspected prior to welding to assure the material is correct, the parts are clean, and the end preparation and fitup are correct. During welding, inspection is made to assure the proper filler metal is used and for cracks, lack of fusion, surface roughness, and poor crater conditions. After welding, and heat treating if any, the weld is inspected for surface defects.

This test may be terminated at any stage of the testing whenever it becomes apparent to the super-

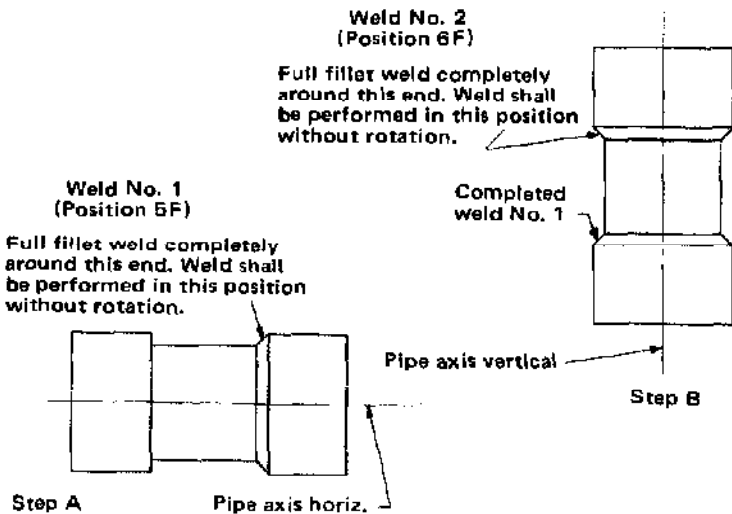


Fig. 11-53. Positions for the fillet-weld qualification tests.

visor conducting the test that (1) the weldor is not following the welding procedure or (2) the weldor does not have the necessary skill to produce satisfactory results.

The test assembly is then cut into eight 3/4-in.-wide specimens, as shown in Fig. 11-54. Each specimen must have an acceptable or desirable profile, as illustrated in Fig. 11-55.

Each specimen is fractured in a vise, as shown in Fig. 11-54. The fractured surface must show no evidence of cracks, incomplete fusion, or inadequate penetration at the root of the weld.

### ASME BOILER AND PRESSURE VESSEL CODE QUALIFICATIONS

Section IX of the Boiler and Pressure Vessel Code of the American Society of Mechanical Engineers provides for qualification tests of procedures and personnel for welding under that code. The following is a condensed and incomplete description

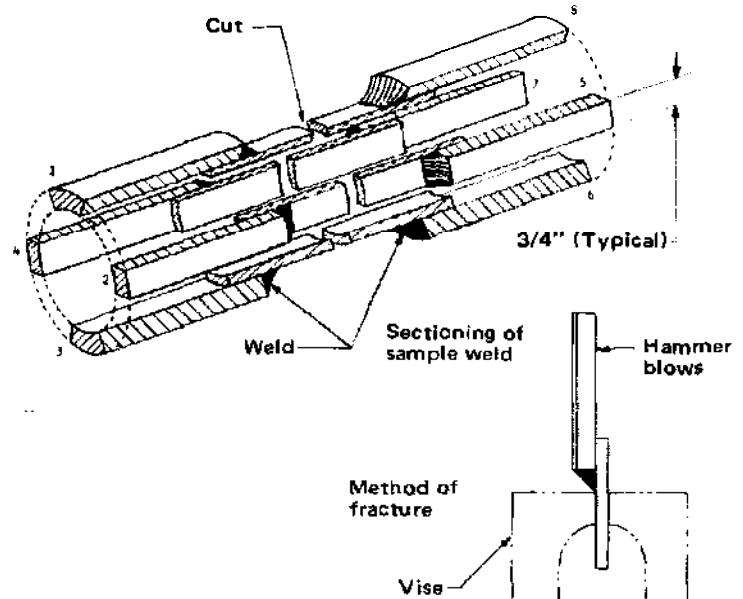


Fig. 11-54. The sampling technique and vise-fracturing method for examining fillet welds.



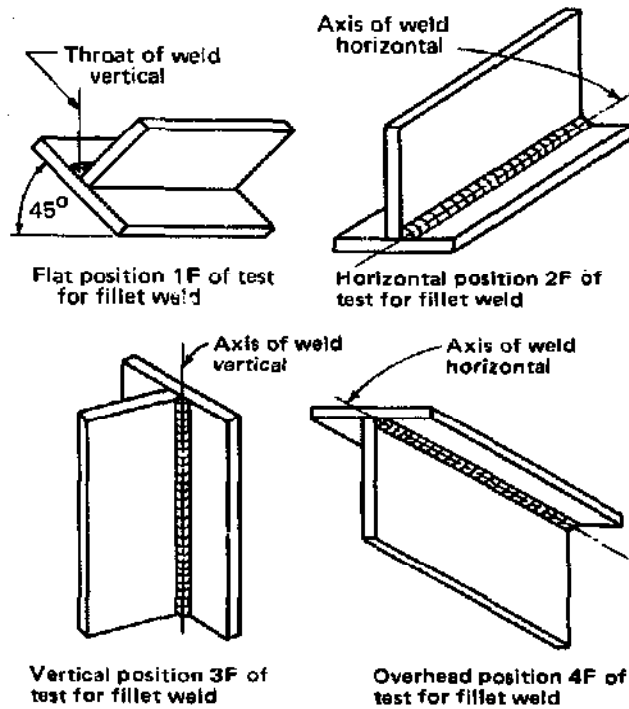
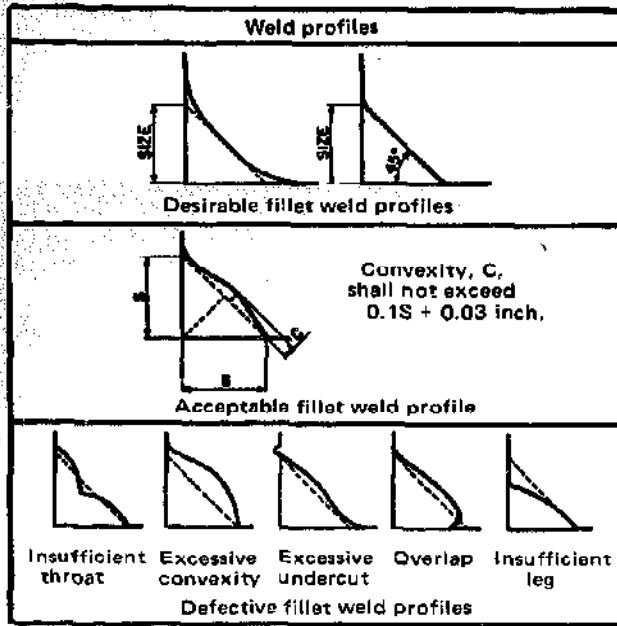


Fig. 11-57. Test positions for fillet welds in plate.

Fig. 11-55. The profile standards that sectioned fillet welds must meet in qualification testing.

of these qualifications. The condensation does not cover qualification tests for steels of 85,000 psi or more and for quenched and tempered steels. Before making tests, a copy of the complete code should be obtained from the American Society of Mechanical Engineers, Order Department, United Engineering Center, 345 East 47th Street, New York, N.Y. 10017.

**Welding Procedure Qualification, ASME Code**

Procedure qualification tests are prescribed for welds in pipe and in plate.

Procedure qualification for groove welds in pipe requires one test assembly be welded for each position shown in Fig. 11-56.

In position 1G, the pipe axis is horizontal, and the pipe is rotated during welding. Weld metal is deposited from above (flat welding).

In position 2G, the pipe axis is vertical, and the pipe is not rotated (horizontal welding).

In position 5G, the pipe axis is horizontal, and the pipe is not rotated (a combination of flat, vertical, and overhead welding).

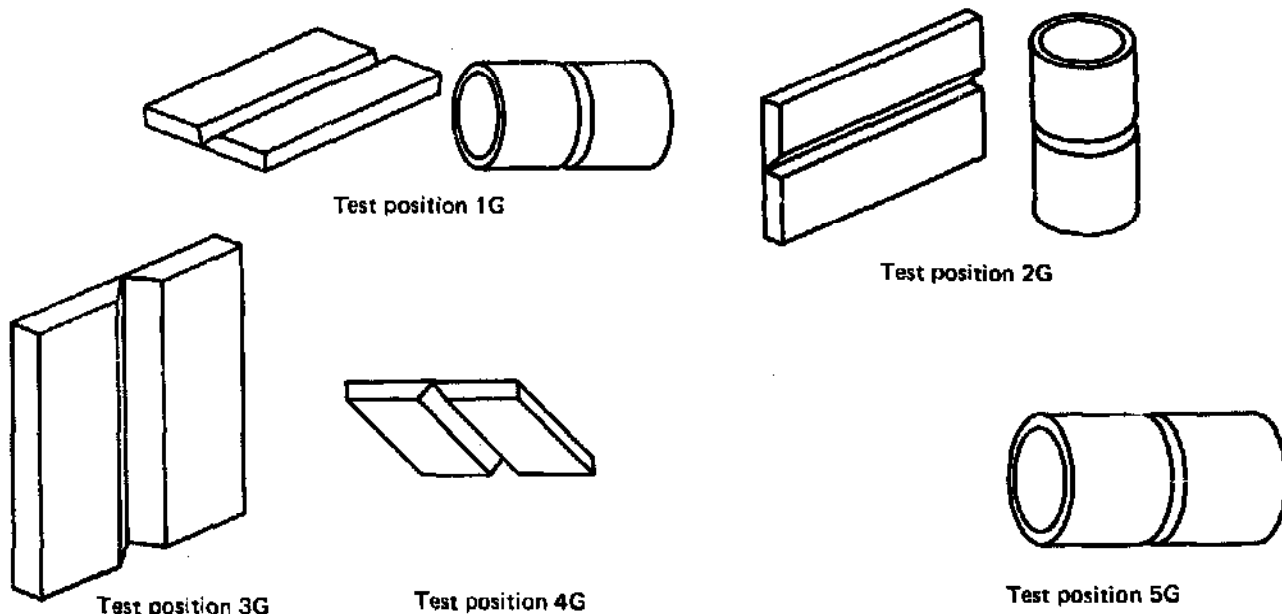


Fig. 11-56. Qualifying test positions for groove welds in pipe and plate.

**TABLE 11-10. Procedure Qualification. Type, Number of Test Specimens, and Range of Thickness Qualified**

Thickness <i>t</i> of Test Plate or Pipe Wall (in.)	Range of Thickness Qualified (in.)		Type and Number of Tests Required			
			Tension	Transverse Bend Tests (5)		
	Min. (6)	Max. (1,3,6)		Side Bend	Face Bend	Root Bend
1/16 to 3/8 inclusive	1/16	2 <i>t</i> (2)	2		2	2
Over 3/8 to 3/4	3/16	2 <i>t</i>	2		2	2
3/4 and over	3/16	2 <i>t</i>	2	4 (4)		

Notes: See Text ("Welding Procedure Qualification, ASME Code") for explanation of (1) through (6).

**TABLE 11-11. Procedure Qualification. Type, Number of Tests Specimens, and Range of Thickness Qualified**

Thickness <i>t</i> of Test Plate (in.)	Range of Thickness Qualified (in.)		Type and Number of Tests Required		
			Tension	Longitudinal Bend Tests (5)	
	Min.(6)	Max. (1,3,6)		Face Bend	Root Bend
1/16 to 3/8	1/16	2 <i>t</i>	2	2	2
Over 3/8	3/16	2 <i>t</i>	2	2	2

Notes: See Text ("Welding Procedure Qualification, ASME Code") for explanation of (1) through (6)

Discard		this piece
Reduced section		tensile specimen
Root bend		specimen
Face bend		specimen
Root bend		specimen
Face bend		specimen
Reduced section		tensile specimen
Discard		this piece

Discard		this piece
Side bend		specimen
Reduced section		tensile specimen
Side bend		specimen
Side bend		specimen
Reduced section		tensile specimen
Side bend		specimen
Discard		this piece

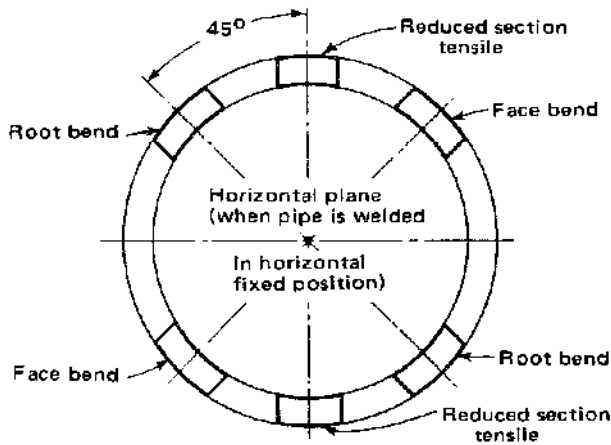


For plate 1/16 to 3/4 in. thick.

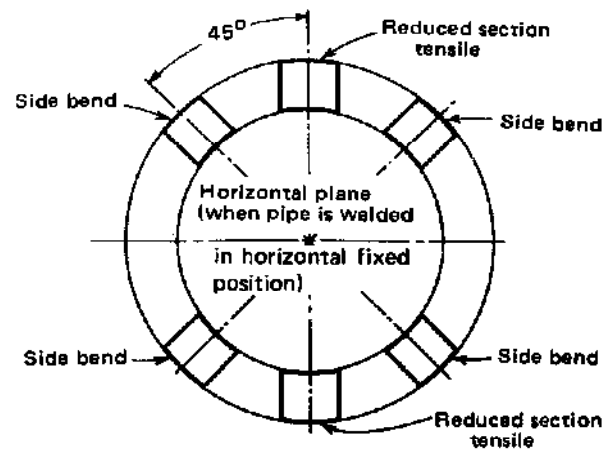


For plate over 3/4 in. thick. May be used also for thicknesses from 3/8 to 3/4 in.

Fig. 11-58. Method of taking test specimens from plate for procedure qualification.



For pipe 1/16 to 3/4 in. in wall thickness.



For pipe over 3/4 in. in wall thickness. May be used also for thicknesses from 3/8 to 3/4 in.

Fig. 11-59. Method of taking test specimens from pipe for procedure qualification.

Qualification in the horizontal, vertical, or overhead position also qualifies for the flat position. Qualification in the horizontal fixed position, 5G, qualifies for flat, vertical, and overhead positions. Qualification in the horizontal, vertical, and overhead positions qualifies for all positions.

Procedure qualification on pipe also qualifies for plate, but not vice versa.

Procedure qualification for groove welds in plate requires one test assembly to be welded for each position. Qualifying positions are shown in Fig. 11-56.

In position 1G, the plate is in the horizontal plane and weld metal is deposited from above (flat welding).

In position 2G, the plate is in the vertical plane with the axis of the weld horizontal (horizontal welding).

In position 3G, the plate is in the vertical plane and the axis of the weld is vertical (vertical welding).

In position 4G, the plate is in the horizontal plane and weld metal is deposited from underneath (overhead welding).

Groove weld tests qualify the welding procedure for use with both groove and fillet welds.

Procedure qualification for fillet welds requires one test assembly in each of the positions shown in Fig. 11-57.

Qualification in the horizontal, vertical, or overhead position qualifies also for the flat position. Qualification in the horizontal, vertical, and overhead positions qualifies for all positions.

**Preparation of the Test Joint.** The base material, filler metal, and the welding procedure for the test

joint must comply with the job specification. The base material may be either plate or pipe (see Table 11-10). The recommended pipe size is 5 in. in diameter and 3/8 in. in the wall thickness, although larger pipe may be used. Smaller pipe size (job size) may be used, but in such cases the procedure must be qualified for thicknesses between 1/2 and two times the wall thickness of the test pipe, but not over 3/4 in.

The type and number of test specimens for procedure qualification are shown in Table 11-10 and Table 11-11. Also shown is the range of thickness that is qualified for use in construction by a given thickness of test plate or pipe used in making the qualification. Test specimens are to be removed as shown in Fig. 11-58 or Fig. 11-73 for plate and Fig. 11-59 for pipe.

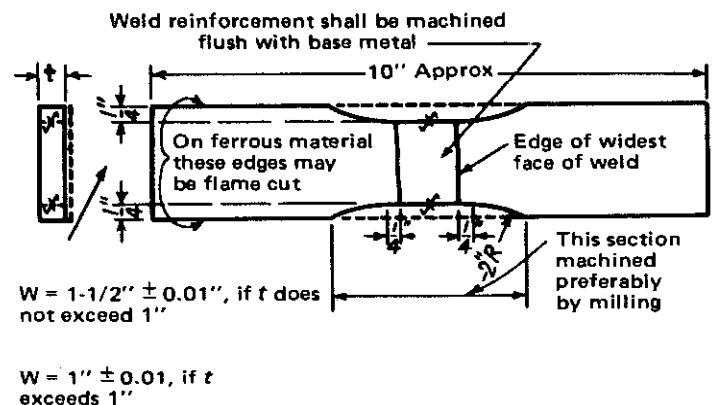


Fig. 11-60. Reduced-section tensile specimen from plate.

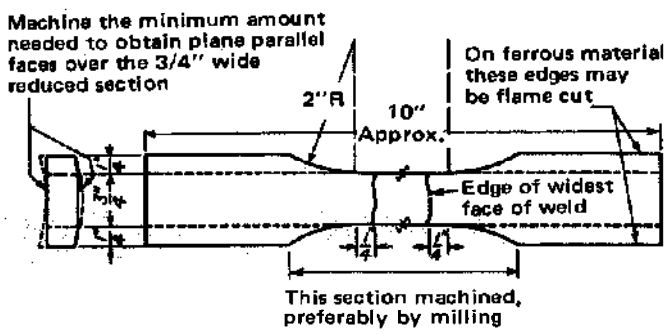


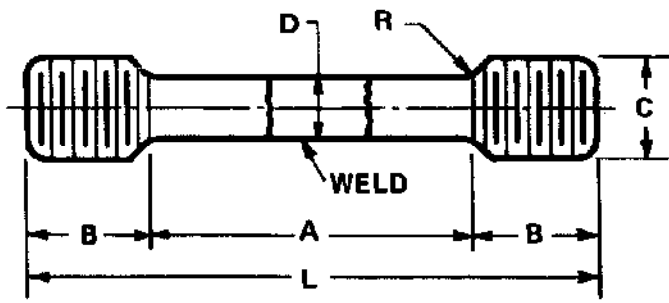
Fig. 11-61. Reduced-section tensile specimen from pipe.

The notes to Tables 11-10 and 11-11 are essential to the use of the tables. The applicable notes are:

- (1) The maximum thickness qualified in gas welding is the thickness of the test plate or pipe.
- (2) The maximum thickness qualified for pipe smaller than 5 in. is two times the thickness of the pipe but not more than 3/4-in.
- (3) For submerged-arc welding and gas metal-arc welding, the thickness limitation for production welding, based on plate thickness *t*, shall be as follows:
  - (a) For single-pass welding with no backing strip or against a metal or ceramic (flux) backing, the maximum thickness welded in produc-

tion shall not exceed the thickness of the test plate or pipe.

- (b) If the test plate is welded by a procedure involving one pass from each side, the maximum thickness that may be welded in production shall be  $2t$ , where  $2t$  shall not exceed 2 in. If sections heavier than 2 in. are to be welded in production, a separate test plate shall be prepared with the thickness not less than the thickness to be used in production.
- (c) For multiple-pass welding, the thickness limitations in Tables 11-10 and 11-11 apply.
- (4) Either face and root bends or side bends may be used for thicknesses from 3/8 to 3/4 in.
- (5) Longitudinal bend tests may be used in lieu of transverse bend tests in Table 11-10 only for testing material combinations differing markedly in physical bending properties between (a) the two base materials or (b) the weld metal and base materials. (See Fig. 11-73 for weld test plate.)
- (6) For quenched and tempered steels (tensile strength 95,000 psi or higher) of thicknesses less than 5/8 in., the thickness of the test plate or pipe is the minimum thickness qualified. For test plates or pipe receiving a postweld heat



	Standard Dimensions, In.			
	(a) 0.505 Specimen	(b) 0.353 Specimen	(c) 0.252 Specimen	(d) 0.188 Specimen
A-Length reduced section	See Note 4	See Note 4	See Note 4	See Note 4
D-Diameter	0.500 ± 0.010	0.350 ± 0.007	0.250 ± 0.005	0.188 ± 0.003
R-Radius of fillet	3/8, min	1/4, min	3/16, min	1/8, min
B-Length of end section	1-3/8, approx	1-1/8, approx	7/8, approx	1/2, approx
C-Diameter of end section	3/4	1/2	3/8	1/4

- NOTES:
- 2. Use maximum diameter specimen (a), (b), (c), or (d) that can be cut from the section.
  - 2. Weld should be in center of reduced section.
  - 3. Where only a single specimen is required the center of the specimen should be midway between the surfaces.
  - 4. Reduced section "A" should not be less than width of weld plus two "D."
  - 5. The ends may be of any shape to fit the holders of the testing machine in such a way that the load is applied axially.

Fig. 11-62. Alternate reduced-section tensile specimen.

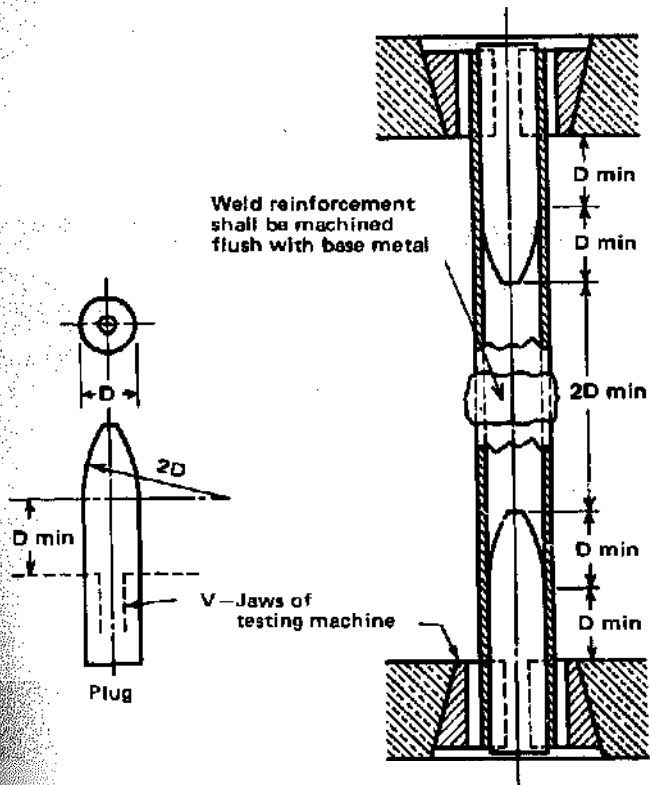
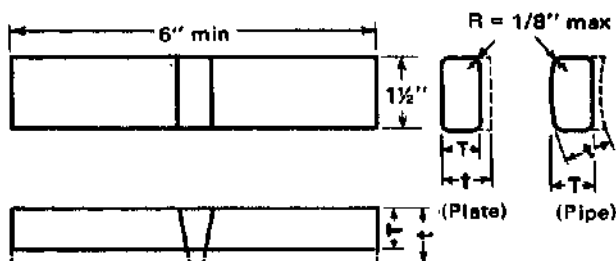


Fig. 11-63. Full-section tensile specimen for small-diameter pipe.

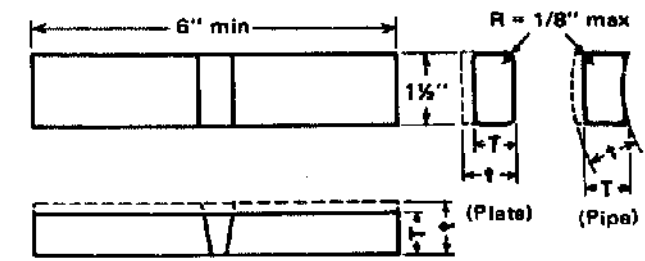
treatment in which the lower critical temperature is exceeded, the maximum thickness qualified is the thickness of the test plate or pipe.

**Tension Tests:** Reduced-section tension-test specimens shall conform to Fig. 11-60 for plate and Fig. 11-61 for pipe of all wall thicknesses having an outside diameter greater than 3 in. Tension test specimens conforming to Fig. 11-62 may be used for thicknesses to and including 1-1/4 in. Over 1-1/4 in. multiple specimens shall be cut through the full thickness of the weld with the centers parallel to the material surface and not over 1 in. apart.

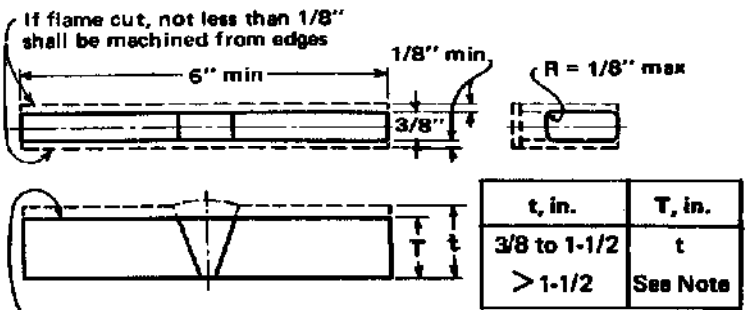


Face bend specimens — Plate and pipe

t, in.	T, in. All Ferrous Materials
1/16 - 1/8	t
1/8 - 3/8	t
> 3/8	3/8



Root bend specimens — Plate and pipe



Cut along this line when t exceeds 1-1/2; Edge may be Flame-Cut and may or may not be Machined.

Note: For Plates over 1-1/2 in. thick, cut Specimen into approximately equal Strips between 3/4 in. and 1-1/2 in. wide and test each Strip.

Fig. 11-64. Transverse side bend specimens, pipe and plate.

Tensile specimens conforming to Fig. 11-63 may be used for testing pipe or tube with an outside diameter 3 in. or less.

**Tensile Strength Requirements:** The tensile strength must not be less than:

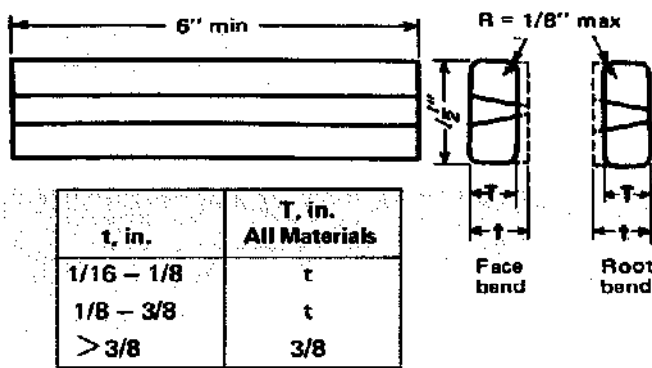
- (1) The minimum specified for the base material, or
- (2) The minimum specified for the weaker of the two, if materials of different specified minimum tensile strengths are used, or
- (3) The minimum specified for the weld metal where the weld metal has lower room-temperature strength than the base metal.

If the specimen breaks in the base metal, the test shall be accepted if the tensile strength is not more than 5% below the minimum specified for the base metal.

**Guided Bend Tests:** Transverse side bend specimens shall conform to the dimensions shown in Fig. 11-64.

Note: Weld reinforcement and backing strip or backing ring, if any, shall be removed flush with the surface of the specimen. If a recessed ring is used, this surface of the specimen may be machined to a depth not exceeding the depth of the recess to remove the ring, except that in such cases the thickness of the finished specimen shall be that specified above.

Fig. 11-65. Transverse root and face bend specimens, pipe and plate.



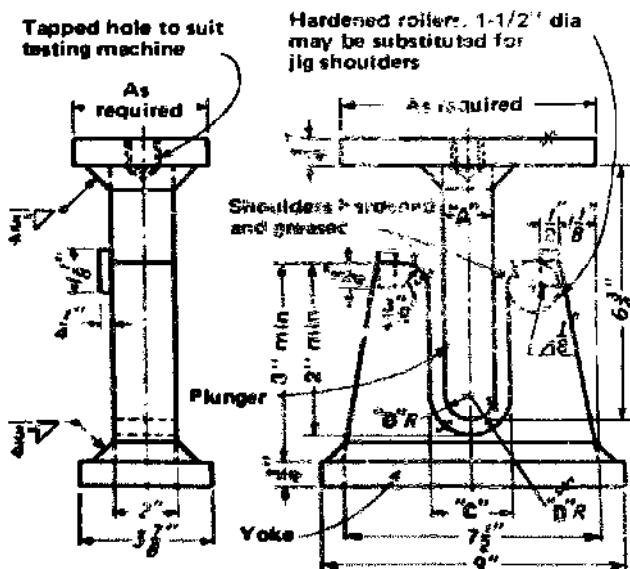
Note: Weld reinforcement and backing strip, if any, shall be removed flush with the surface of the specimen. If a recessed strip is used this surface of the specimen may be machined to a depth not exceeding the depth of the recess to remove the strip, except that in such cases the thickness of the finished specimen shall be that specified above.

Fig. 11-66. Longitudinal root and face bend specimens.

Transverse root and face bend specimens shall conform to the dimensions shown in Fig. 11-65.

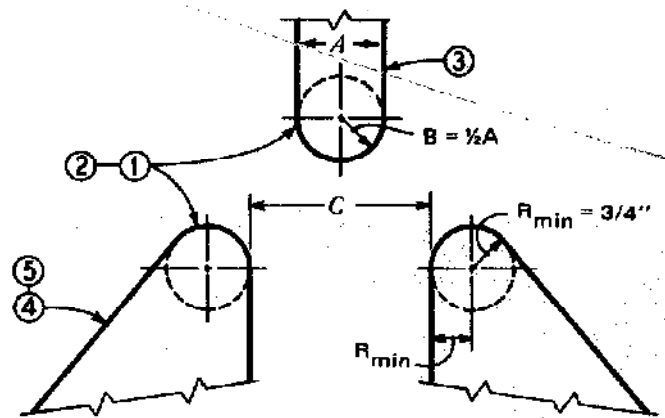
Longitudinal root and face bend specimens shall conform to the dimensions shown in Fig. 11-66. This type of specimen is used only for testing material combinations differing markedly in physical bending properties.

The guided-bend specimens shall be bent in test jigs that are substantially in accordance with Figs. 11-67, 11-68, and 11-69.



Thickness of Specimens, In.	A In.	B In.	C In.	D In.
3/8	1-1/2	3/4	2-3/8	1-3/16
t	4t	2t	6t + 1/8	3t + 1/16

Fig. 11-67. Guided-bend test jig.



Thickness of Specimens, In.	A In.	B In.	D In.
3/8	1-1/2	3/4	2-3/8
t	4t	2t	6t + 1/8

NOTES:

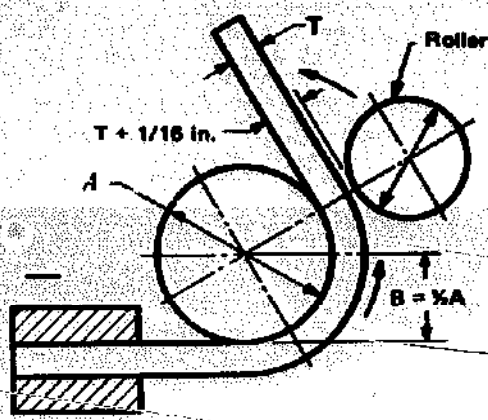
1. Either hardened and greased shoulders or hardened rollers free to rotate shall be used.
2. The shoulders or rollers shall have a minimum bearing surface of 2 in. for placement of the specimen. The rollers shall be high enough above the bottom of the jig so that the specimens will clear the rollers when the ram is in the low position.
3. The ram shall be fitted with an appropriate base and provision made for attachment to the testing machine, and shall be designed to minimize deflection and misalignment. The ram to be used with the roller jig shall be of identical dimensions to the ram shown in Fig. 11-67.
4. If desired, either the rollers or the roller supports may be made adjustable in the horizontal direction so that specimens of t thickness may be tested on the same jig.
5. The roller supports shall be fitted with an appropriate base designed to safeguard against deflection or misalignment and equipped with means for maintaining the rollers centered, mid-point and aligned with respect to the ram.

Fig. 11-68. Roller-equipped guided-bend jig for bottom ejection of test specimen.

When using jigs in accordance with Figs. 11-67 or 11-68, the side of the specimen turned toward the gap shall be the face for face bends, root for root bends, and the side with greater defects, if any, for side bends. The specimen shall be forced into the die until the curvature of the specimen is such that a 1/8-in.-diameter wire cannot be inserted between the die and the specimen.

When using the roller-type jig, Fig. 11-68, the specimen shall be bottom-ejected. When using the wrap-around jig, Fig. 11-69, the side of the specimen toward the roller shall be face for face bends, root for root bends, and the side with the greater defects, if any, for the side bends.

Bend Test Requirements: After bending, the specimen shall have no cracks or other open defects exceeding 1/8 in. measured in any direction on the convex surface. Cracks on the corners of the specimen shall not be considered unless there is evidence of slag inclusions or other internal defects.

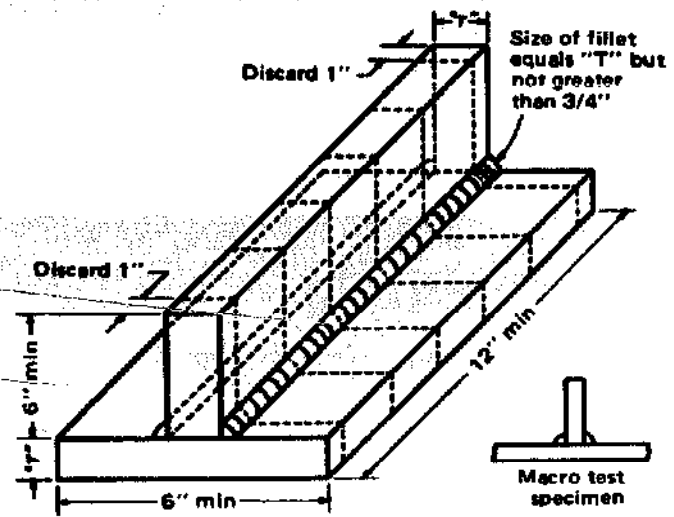


Thickness of Specimens, in.	A in.	B in.
3/8	1-1/2	3/4
t	4t	2t

- NOTES:**
1. Dimensions not shown are the option of the designer. The essential consideration is to have adequate rigidity so that the jig parts will not spring.
  2. The specimen shall be firmly clamped on one end so that there is no sliding of the specimen during the bending operation. The weld and heat-affected zone in the case of transverse weld bend specimens shall be completely within the bent portion of the specimen after testing.
  3. Test specimens shall be removed from the jig when the outer roll has been removed 180 degrees from the starting point.

Fig. 11-69. Wrap-around guided-bend jig.

If the wall thickness of the tube or pipe is less than 3/8 in., or the diameter-to-thickness ratio does not permit the preparation of a full-size rectangular guided-bend specimen, the 1-1/2-in.-wide standard bend specimen shown in Fig. 11-65 may be replaced by three subsized specimens having a width of 3/8 in. or 4t, whichever is less. The weld reinforcement and backing ring shall be removed flush with the pipe or



"T" maximum thickness of base material in the vessel at point of welding or 1", whichever is smaller.

Macro test: The fillet shall show fusion at the root of the weld but not necessarily beyond the root. The weld metal and heat-affected zone shall be free of cracks. Both legs of the fillet shall be equal to within 1/8 inch.

Fig. 11-70. Fillet-weld soundness test for procedure qualification.

tube surface, and the corners may be provided with a radius not to exceed 1/3t.

**Fillet Weld Tests:** Fillet-weld test specimens for procedure qualification shall conform to Fig. 11-70. The weld shall not contain any visible cracks. The specimen shall be cut transversely in five sections approximately 2 in. long, and one face of each section shall be smoothed and etched with a suitable etchant to give a clear definition of the structure. Visual examination shall show:

- (1) Complete fusion at the root and no cracks.
- (2) Not more than 1/8 in. difference in the length of the legs of the fillet.

TABLE 11-12. Welder Qualification. Type, Number of Test Specimens, and Ranges of Thickness Qualified

Type of Joint	Thickness t of Test Plate or Pipe As Welded in. (3)	Range of Thickness of Material Qualified by Test Plate, in.		Type and Number of Tests Required (1)			
				Transverse Bend Tests (5)			
		Min.	Max. (2,3)	Side Bend	Face Bend	Root Bend	T Joint
Groove	1/16 to 3/8 inclusive	1/16	2 t		1	1	
Groove (4)	Over 3/8 but less than 3/4	3/16	2 t		1	1	
Groove (4)	Over 3/8 but less than 3/4	3/16	2 t	2			
Groove	3/4 and over	3/16	Max to be welded	2 (4)			
Fillet	See Fig. 11-72	All thicknesses					1

Notes: See Text ("Welder Qualification, ASME Code") for explanation of (1) through (4).

**TABLE 11-13. Weldor Qualification. Type, Number of Test Specimens, and Ranges of Thickness Qualified (5)**

Type of Joint	Thickness <i>t</i> of Test Plate or Pipe As Welded in.	Range of Thickness of Material Qualified by Test Plate, in.		Type and Number of Tests Required		
		Min.	Max. (2)	Longitudinal Bend Tests		
				Face Bend	Root Bend	T Joint
Groove	1/16 to 3/8 inclusive	1/16	2 <i>t</i>	1	1	
Groove	Over 3/8	3/16	2 <i>t</i>	1	1	
Fillet	See Fig. 11-72	All thicknesses				1

Notes: See Text ("Weldor Qualifications, ASME Code") for explanation of (2) through (5).

### Weldor Qualification, ASME Code

Weldor qualification (called "performance qualification" in the ASME code) is to demonstrate that a weldor can make sound welds when using a previously qualified procedure. The code provides that the weldor who prepares the welding procedure qualification test specimens meeting the requirements of the code is thereby qualified without further testing.

Weldor qualification tests are made on groove welds or on fillet welds. Weldors qualified on groove welds are automatically qualified for fillet welds in all thicknesses. Weldors qualified on fillet welds only are qualified to make fillet welds only.

All the requirements for welding positions for procedure qualification also apply to weldor qualification.

The type, number of test specimens, and the ranges of thickness qualified are given in Tables 11-12 and 11-13. The notes to these tables are as

follows:

- (1) A total of four specimens are required to qualify for position 5G.
- (2) The maximum thickness qualified in gas welding is the thickness of the test plate or pipe.
- (3) The base material may consist of either plate or pipe. The minimum nominal diameter of 5 in. is recommended for pipe used as base material.
- (4) Either face and root bends or side bends may be used for thicknesses from 3/8 to 3/4 in.
- (5) Longitudinal bend tests may be used in lieu of the transverse bend tests in Table 11-12 only for testing material combinations differing markedly in physical bending properties between (a) the two base materials or (b) the weld metal and base materials. See Fig. 11-73 for the weld test plate.

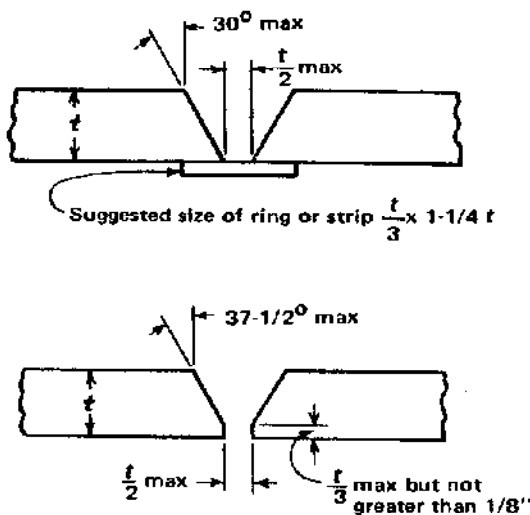
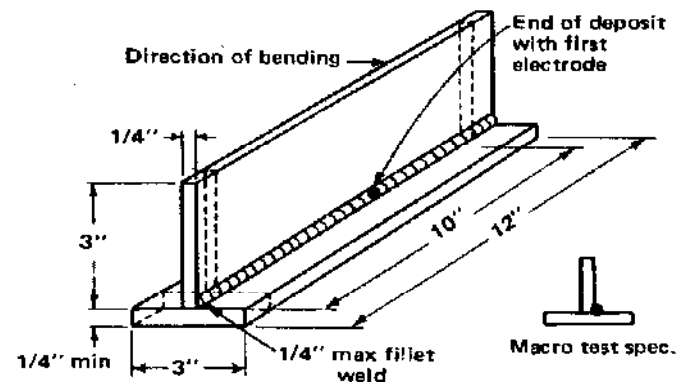


Fig. 11-71. Butt joints for weldor qualification tests, with and without backing strip.



FILLET WELD SOUNDNESS TEST FOR WELDOR QUALIFICATION

**FRACTURE TEST:** Maximum permissible defects such as slag, non-fusion, etc. — 20% or 1/2 in. Evidence of cracking of fillet shall constitute grounds for rejection.

**MACRO TEST:** The fillet shall show fusion to the root of the weld but not necessarily beyond the root. Convexity and/or concavity of the fillet shall not exceed 1/16 in. Both legs of the fillet shall be equal to within 1/16 in.

Fig. 11-72. Fillet-weld specimen for weldor qualification test.



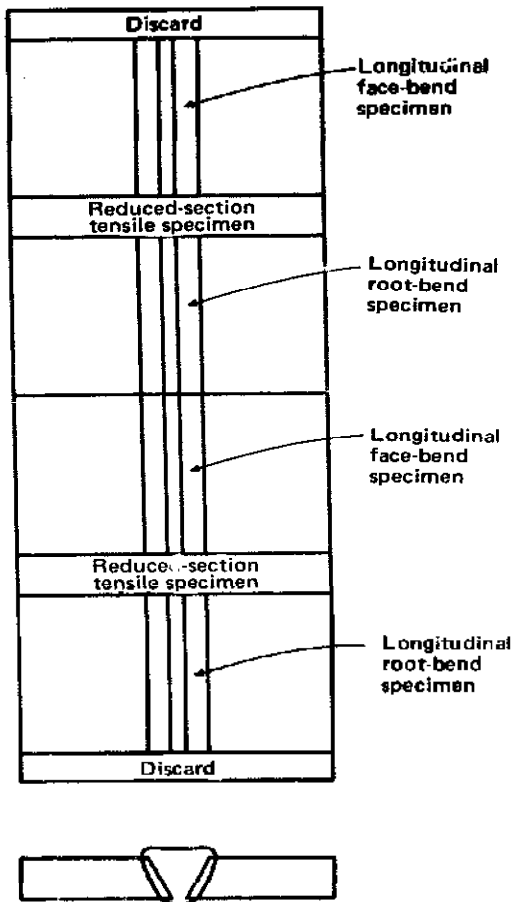


Fig. 11-73. Order of removal of test specimens from welded test plate for longitudinal bend tests.

The base material for the test specimens may be either plate or pipe. The minimum nominal diameter of 5 in. is recommended for pipe used as base material.

The dimensions of the welding groove for the test joint used in making welder qualification tests, on double-welded butt joints and single-welded butt

joints with backing strip, shall be the same as those for procedure qualification, or shall be as shown in Fig. 11-71.

Qualification on a single-welded plate with a backing strip shall also qualify for pipe with a backing strip and vice versa in positions 1G and 2G only (Fig. 11-56).

Qualification on a single-welded plate without a backing strip shall also qualify for single-welded pipe without a backing strip and vice versa in positions 1G and 2G only.

Qualification on double-welded plate shall also qualify for double-welded pipe and vice versa in positions 1G and 2G only.

For all other positions qualification on pipe shall qualify for plate but not vice versa.

**Test Specimens:** Test welds made in plate — the type and number of bend test specimens specified in Tables 11-12 and 11-13 — may be removed from the test plate in any order, but in a manner similar to that shown in Figs. 11-58, 11-59, and 11-73.

For test welds made in pipe in positions 1G or 2G, specimens shall be removed as shown for bend specimens in Fig. 11-59, at approximately 90° apart, omitting the tension specimens. For test welds made on a pipe in position 5G, specimens shall be removed in accordance with Fig. 11-59, and all four specimens shall pass the test.

All bend specimens shall be machined, tested, and meet the same test requirements as the procedure qualification tests.

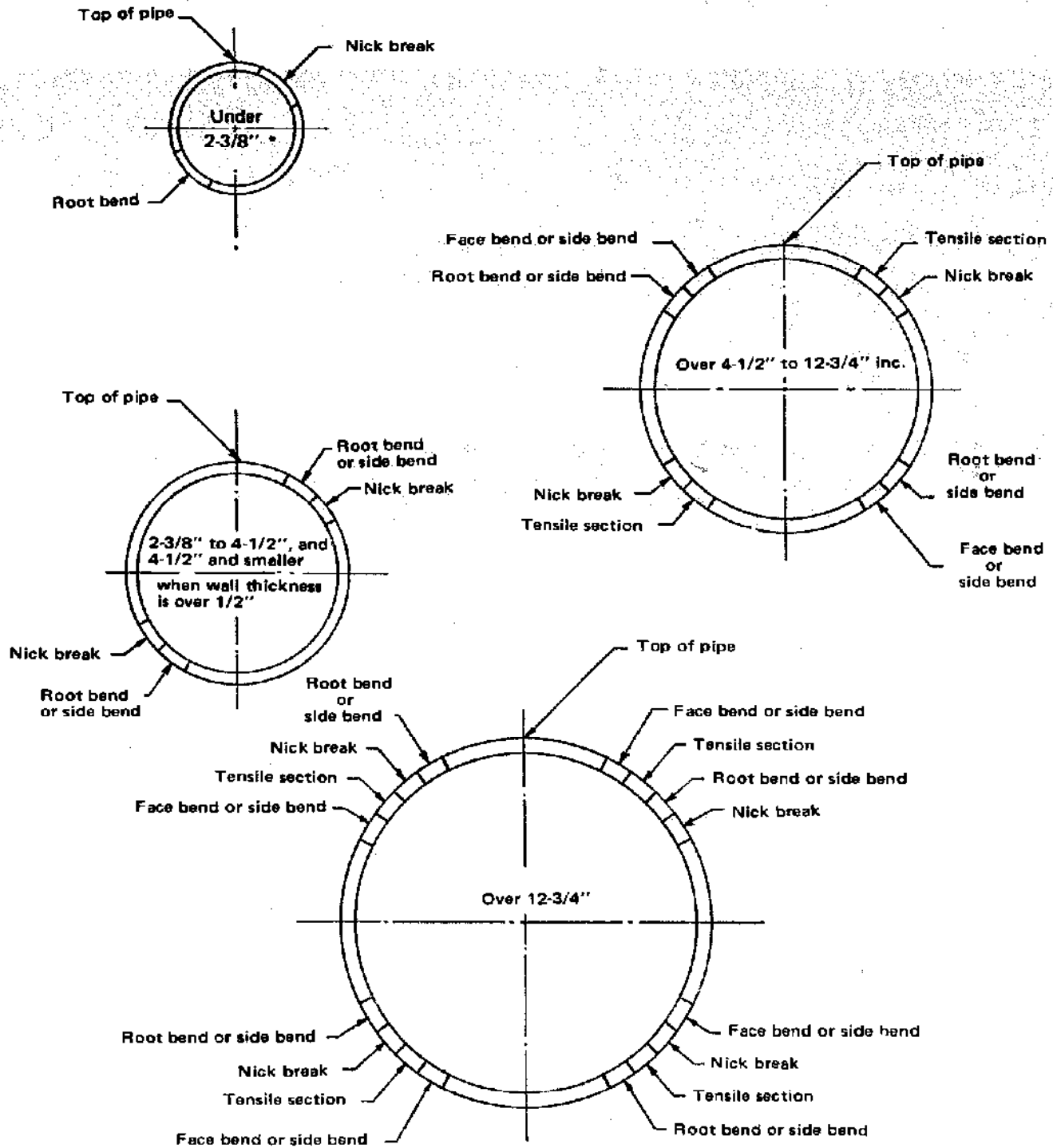
**Fillet-Weld Tests:** Dimensions and preparation of the fillet-weld test specimens shall conform to the requirements of Fig. 11-72. The test specimen shall contain no visible cracks. The specimen shall be cut transversely to provide a center section 10 in. long and two end sections each approximately 1 in. long.

TABLE 11-14. Type and Number of Butt-Weld Test Specimens for Procedure Qualification Test

Pipe Size, Outside Diameter — In.	Number of Specimens					Total
	Tensile	Nick Break	Root Bend	Face Bend	Side Bend	
	Wall Thickness — 1/2 In. and Under					
Under 2-3/8	0	2	2	0	0	4*
2-3/8 to 4-1/2 inclusive	0	2	2	0	0	4
Over 4-1/2 to 12-3/4 inclusive	2	2	2	2	0	8
Over 12-3/4	4	4	4	4	0	16
	Wall Thickness — Over 1/2 In.					
4-1/2 and smaller	0	2	0	0	2	4
Over 4-1/2 to 12-3/4 inclusive	2	2	0	0	4	8
Over 12-3/4	4	4	0	0	8	16

\* One nick-break and one root bend specimen from each of two test welds, or for pipe 1-5/16 in. and smaller, one full pipe section tensile specimen.

\* ONE FULL PIPE SECTION TENSILE TEST SPECIMEN MAY BE USED FOR PIPE 1-6/16" AND SMALLER.



At the company's option, the locations may be rotated 45 degrees counterclockwise or they may be equally spaced around the pipe except specimens shall not include the longitudinal weld. Also, at the company's option, additional specimens may be taken.

Fig. 11-74. Location of butt-weld test specimens for API procedure qualification tests.

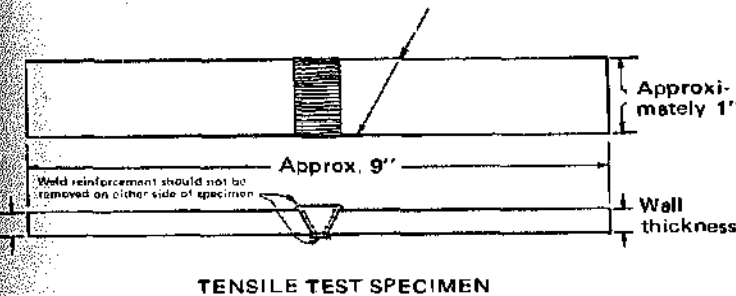
**TABLE 11-15. Type and Number of Butt-Weld Test Specimens for Welder Qualification Test and for Destructive Testing of Production Welds**

Pipe Size, Outside Diameter - In.	Number of Specimens					
	Tensile**	Nick Break	Root Bend	Face Bend	Side Bend	Total
	Wall Thickness - 1/2 In. and Under					
Under 2-3/8	0	2	2	0	0	4*
2-3/8 to 4-1/2 inclusive	0	2	2	0	0	4
Over 4-1/2 to 12-3/4 inclusive	2	2	2	0	0	6
Over 12-3/4	4	4	2	2	0	12
Wall Thickness - Over 1/2 In.						
4-1/2 and smaller	0	2	0	0	2	4
Over 4-1/2 to 12-3/4 inclusive	2	2	0	0	2	6
Over 12-3/4	4	4	0	0	4	12

\* Obtain from two welds, or one full pipe section tensile specimen for pipe 1-5/16 in. and smaller.

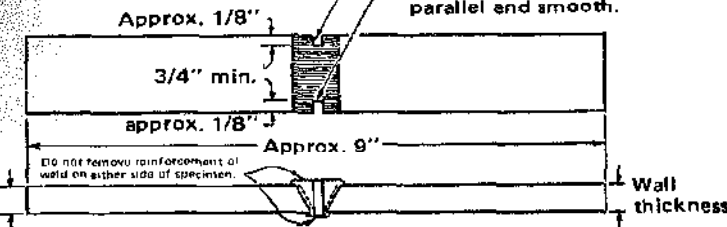
\*\* The tensile test may be omitted, in which case the specimens designated for this test shall be subjected to the nick-break test.

Specimen may be machine or oxygen cut. Edges shall be parallel and smooth.



TENSILE TEST SPECIMEN

Notch cut by hacksaw. Specimen may be machine or oxygen cut. Edges shall be parallel and smooth.



NICK BREAK TEST SPECIMEN

The stem of the 10-in. center section shall be located laterally in such a way that the root of the weld is in tension. The load shall be applied until the specimen fractures or bends flat upon itself. In order to pass the test —

- (1) The specimen shall not fracture; or
- (2) If it fractures, the fractured surface shall show no evidence of cracks or incomplete fusion, and the sum of the lengths of the inclusions and gas pockets shall not exceed 2 in.

One of the end sections shall be smoothed and etched with a suitable etchant to give a clear definition of the structure of the weld metal. In order to pass the test —

- (1) The section shall show complete fusion at the root and no cracks;
- (2) The weld shall not have a concavity or convexity greater than 1/16 in.; and
- (3) There shall be not more than 1/16 in. difference in the lengths of the legs of the fillet.

## API QUALIFICATION TESTS FOR PIPELINE WELDING

The American Petroleum Institute (API) sets specifications for welding procedures and personnel employed on pipeline welding in its "Standard for Welding Pipelines and Related Facilities" (API Standard 1104). The standard is available from the American Petroleum Institute, 1271 Avenue of the Americas, New York, N.Y. 10020. The following is a highly condensed resume of the portions of the

Fig. 11-75. How tensile and nick-break specimens of butt welds are prepared for API procedure qualification tests.

standard pertaining to procedure and weldor qualification.

**API Qualification of Welding Procedures**

Prior to the start of production welding, a procedure specification must be established and qualified to demonstrate that welds having suitable mechanical properties and that soundness will result from the procedure. The quality of the weld is determined by destructive testing.

Table 11-14 shows the type and number of butt-weld test specimens required for procedure qualification, and Figs. 11-74, 11-75, and 11-76 shows how specimens are taken and prepared for testing. Fig. 11-77 shows the jig used for guided bend tests.

In the tensile test, the tensile strength of the weld, including the fusion zone, shall be equal to or greater than the minimum specified tensile strength of the pipe material.

In the nick-break test, the exposed surfaces of each specimen shall show complete penetration and fusion and no more than six gas pockets per sq. in. of surface area, with the greatest dimension not to exceed 1/16 in. Slag inclusions shall not be more than 1/32 in. in depth nor 1/8 in. or one-half the nominal wall thickness in length, whichever is shorter, and there shall be at least 1/2 in. of sound

- Radius of plunger A = 1-3/4 inches
- Radius of die B = 2-5/16 inches
- Width of die C = 2 inches

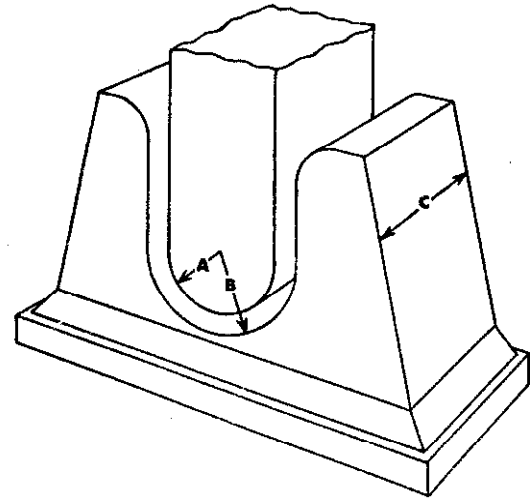


Fig. 11-77. Jig for the API guided bend tests.

weld metal between adjacent inclusions.

The bend tests shall be considered acceptable if no crack or other defect exceeding 1/8 in. or one-half the nominal wall thickness, whichever is smaller, in any direction is present in the weld or between the weld and the fusion zone after bending. Cracks which originate along the edges of the specimen during testing, and which are less than 1/4 in. measured in any direction, shall not be considered unless defects are observed.

The type and number of fillet-weld test specimens for procedure qualification are as follows:

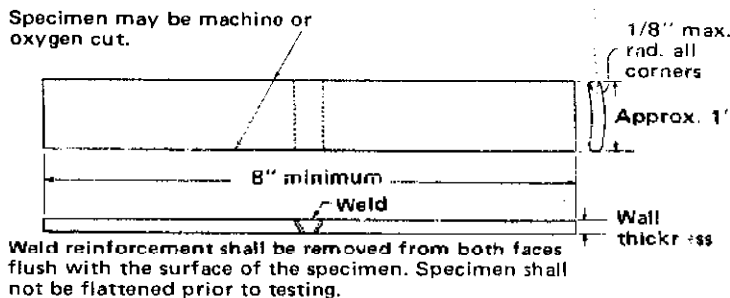
Pipe Size, OD In.	Number of Specimens
Under 2-3/8	4 (Obtain from 2 welds)
2-3/8 to 12-3/4 inclusive	4
Over 12-3/4	6

The methods of taking and preparing fillet-weld specimens are illustrated in Figs. 11-78 and 11-79. The test requirements are similar to those for butt welds.

**API Qualification of Weldors**

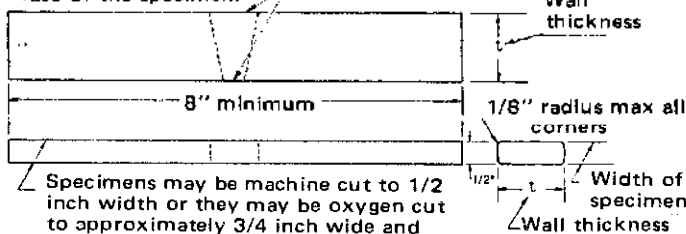
The purpose of the weldor qualification tests is to determine the ability of weldors to make sound welds using a previously qualified procedure. Fillet welds are evaluated by destructive tests. Butt welds may be tested by destructive tests or by radiography. API Standard 1104 prescribes the radiographic standards of acceptability.

Table 11-15 gives the type and number of butt-



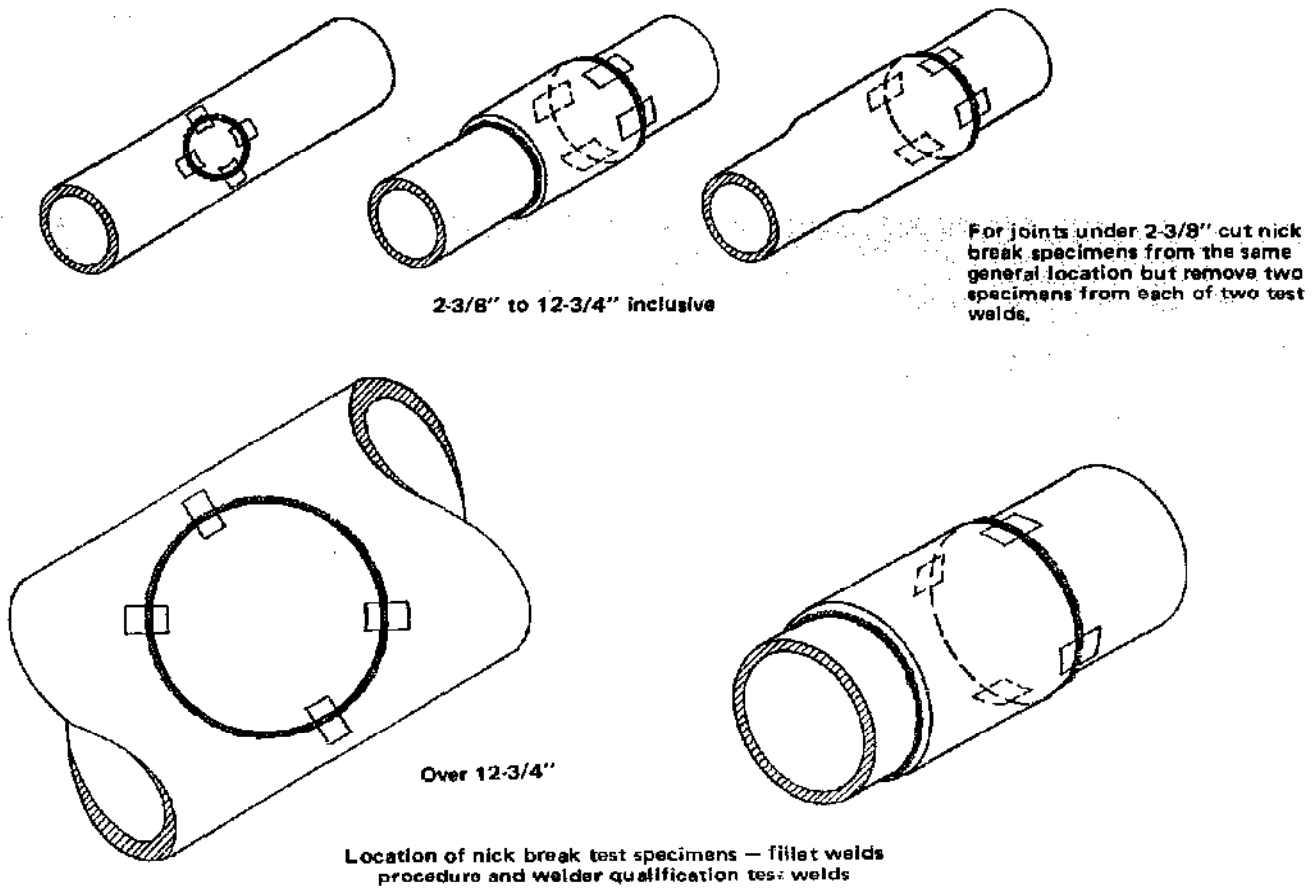
**ROOT BEND AND FACE BEND TEST SPECIMEN**

Weld reinforcement shall be removed from both faces flush with the surface of the specimen.



**SIDE BEND TEST SPECIMEN**

Fig. 11-76. How root-bend, face-bend, and side-bend specimens are prepared.



Location of nick break test specimens — fillet welds procedure and weldor qualification test welds

Note: At the option of the Company additional specimens may be taken.

Fig. 11-78. Method of taking nick-break fillet-weld test specimens for API procedure and weldor qualifications.

weld specimens for weldor qualification testing, and Fig. 11-80 shows how specimens are to be taken.

Tensile test requirements are the same as for procedure qualification, except that if the specimen should break in the weld, it must meet the nick-break test requirements. The nick-break test requirements are the same as for procedure qualification.

The bend test requirements are also the same as for procedure qualification. Welds on high-test pipe (API Std. 5LX) may not bend the full U shape. These shall be considered acceptable if the specimens that crack are broken apart and the exposed surfaces meet the nick-break test requirements.

Fillet-weld specimens are cut from each test weld. If the test weld is a complete circumferential weld, the locations from which the specimens are to be removed are as shown in Fig. 11-78. If the test weld consists of segments of pipe nipples, an approximately equal number of specimens must be removed from each segment. The specimens should be air-cooled to ambient temperature before testing.

The preparation of the fillet-weld test specimens, the testing procedures, and the test requirements are the same as for procedure qualification.

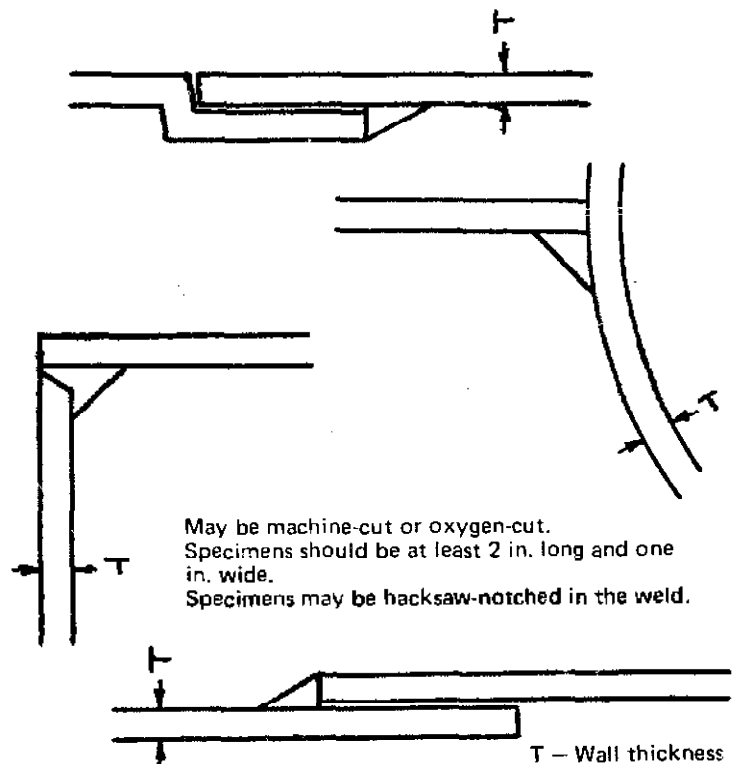
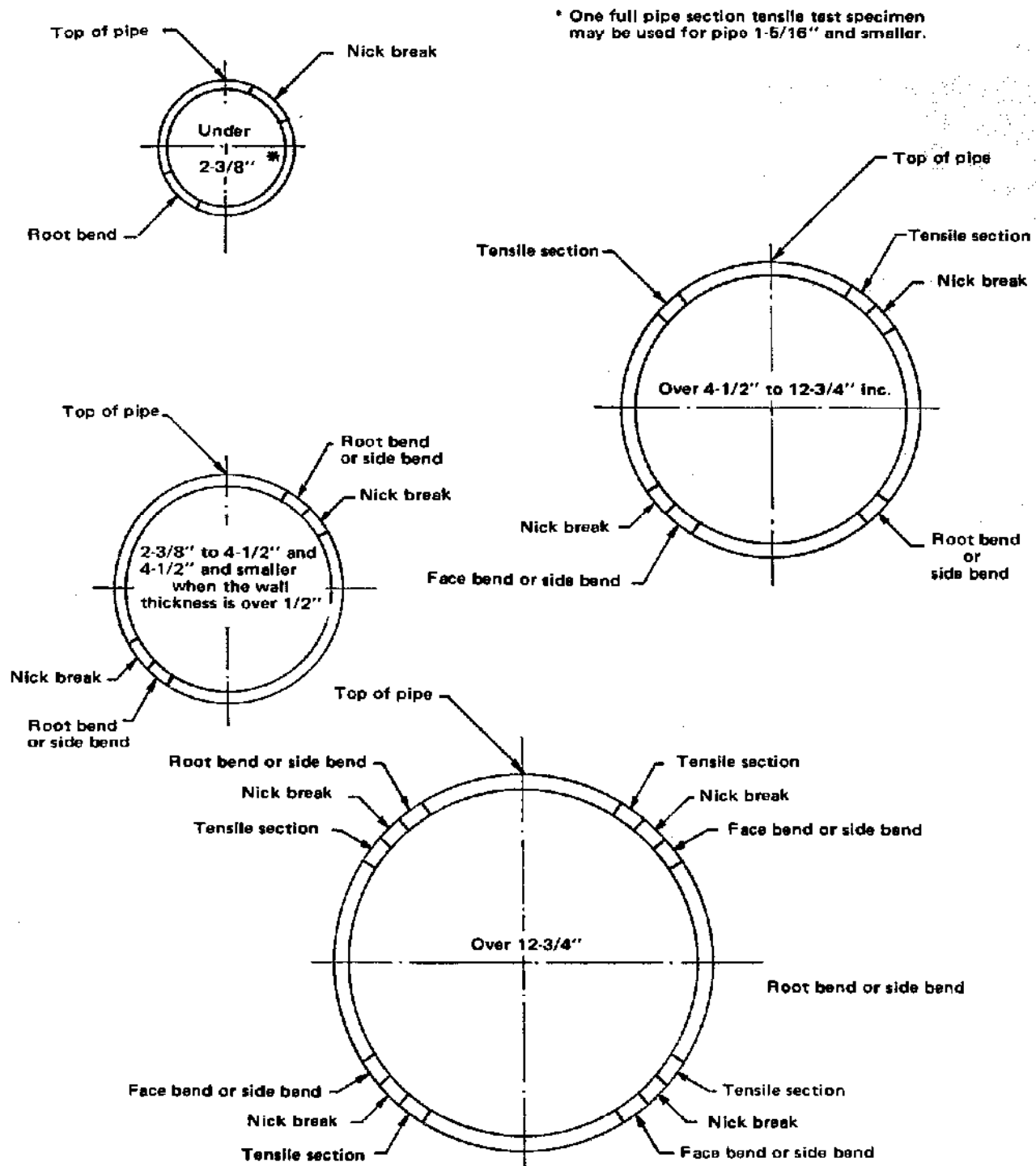


Fig. 11-79. Preparation of fillet-weld specimens.



\* One full pipe section tensile test specimen may be used for pipe 1-5/16" and smaller.

At the company's option, the locations may be rotated 45 degrees counterclockwise or they may be equally spaced around the pipe except specimens shall not include the longitudinal weld. Also, at the company's option, additional specimens may be taken.

LOCATION OF TEST SPECIMENS – BUTT WELD  
WELDOR QUALIFICATION TEST

Fig. 11-80. How butt-weld test specimens are to be taken for API weldor qualification tests.

**Section 12**  
**WELDING COSTS**

**SECTION 12.1**

**DETERMINING WELDING COSTS**

	Page
The Approach to Cost Calculations . . . . .	12.1-1
Calculations Based on Handbook Data . . . . .	12.1-2
Calculations for Welds Not Listed . . . . .	12.1-3
Summary of Methods for Computing Costs .	12.1-10
Quick Method for Estimating Weld Costs .	12.1-10

## Determining Welding Costs

Many commercial users of welding are, at times, confronted with the problem of how to determine welding costs. A cost analysis may be required in advance of actual welding — in which case the results would constitute a cost estimate — or the cost analysis may be made after welding is in progress for various evaluation or management purposes. The reasons for costing welding are varied, but most often are to:

- ... provide data needed for bidding on a job
- ... compare the economics of welding with some other method of fabricating or manufacturing
- ... establish information required in making a decision between alternate designs
- ... evaluate proposed changes in procedures
- ... compare the economic advantages of competing welding processes.

Estimators, designers, shop foremen, and others tend to be apprehensive about the task of cost estimation because of the many factors that must be taken into account and the possibility for errors. Also, the mathematical formulas that have been developed for cost determination look forbidding — even though they only involve simple arithmetic processes. It is the intent here to give practical methods for costing welding that can be applied by anyone and that will lead to usable results.

A word of caution, however, is desirable. Although the techniques for determining or estimating welding costs are sound and have been proved in practice, the results of an analysis will only be as good as the data inserted in the cost equations. Some of the data to be used will be dependent on the human factor; other data will be dependent upon corporate accounting practices. Where unrealistic figures are assigned — say, to welding speeds or to the operating factor — the cost formulas will give unrealistic results. It, thus, behooves the person making the cost analysis to verify the validity of the data before applying it to a cost formula. That sound data can be obtained is proved by the experience of large companies that,

through years of experience, are able to estimate figuratively to the cent on repetitive welding. Also, the ability of an experienced shop foreman to “guess” the cost of a job with high accuracy suggests that sound judgments about intangible factors can be developed.

Rightfully, every operation made necessary by the decision to use welded assembly could be charged as a welding cost. Thus, the cost of joint preparation, such as cutting or machining, could be added to the cost of welding if these operations are not necessary for alternative fabrication methods. Similarly, the preweld and postweld cleaning and any preheating and postheating, straightening, or other operations made necessary by welding are part of the total costs of welding. However, these incidental consumers of time, materials, and power are often included in the operating factor assigned to welding if the weldor performs any of these operations. Some operations such as radiographic inspection, ultrasonic testing, and stress relieving are costed separately and are not included in the welding cost. Rather than get involved with complex cost equations of doubtful application to the accounting system of a company, the discussion here will be limited primarily to the cost of actually depositing weld metal.

Welding processes are fairly consistent. The time and material required to produce a certain length of weld by a given process on one job are good indications of the time and material required to produce the same type of weld on a similar job. Most of the methods described in this section make use of this fact; that is, they provide an estimate of costs by utilizing tables and curves obtained from welding experience. A few of the methods presented, designed to determine costs from test welds, can be used where no prior figures are available, or where a particularly accurate forecast of costs is needed.

### THE APPROACH TO COST CALCULATIONS

The cost of producing a weld is basically the combined costs of material and labor. Material costs consist of the cost of the electrode, flux, shielding



gas, and other consumables. Labor costs include the normal costs of manpower, plus in most accounting systems, an allowance for overhead. Overhead may take care of many expenses not immediately apparent: the cost of supervision, janitorial and maintenance services, equipment amortization and repair, the cost of heating and lighting, and so on. The electric power costs directly required for welding are usually lumped in the overhead.

For convenience in welding cost computations, it is desirable to use a common reference for both material and labor. Both can conveniently be expressed in dollars per foot of weld.

**CALCULATIONS BASED ON HANDBOOK DATA**

Sections 6 through 10 of this handbook list the data needed for cost estimates for the more commonly used welds. The procedures tables in these sections list: 1. Time required to produce a given length of the weld. 2. Amount of electrode consumed. 3. Quantity of flux or shielding gas required.

Cost computations for welds listed in these sections are simple and straightforward, because the basic information required can be selected directly from the procedures tables. The only other information required is the electrode cost per pound, determined by its cost when purchased; labor and overhead costs per hour, established by the company's accounting system; and an estimated operating factor. Costs can then be calculated by simple formulas.

**Materials:** The cost of electrode consumed per foot of weld is found by multiplying the weight of electrode in pounds consumed per linear foot (WE) by the electrode cost in dollars per pound (CE).

$$\text{Cost of electrode per foot of weld} = (WE)(CE)$$

The cost of flux per foot is similarly the weight of flux (WF) required per linear foot of weld multiplied by cost of flux per pound (CF).

$$\text{Cost of flux per foot of weld} = (WF)(CF)$$

The cost of gas per foot of weld is the volume of gas required per linear foot of weld (VG) multiplied by the cost of gas in dollars per cubic foot (CG).

$$\text{Cost of gas per foot of weld} = (VG)(CG)$$

The material cost per foot of weld (CM), then, equals the cost of all consumables:

$$CM = (WE)(CE) + (WF)(CF) + (VG)(CG) \dots (1)$$

The symbols used in the above and following equations are listed in Table 12-1, Definition of

**Symbols Used in the Cost Equations.**

Note that the term (VG)(CG) in Equation (1) would be zero in submerged-arc or self-shielded electrode welding, since no shielding gas is used. Similarly, the term (WF)(CF) would be zero with all welding processes other than submerged-arc.

**Labor, Overhead, Operating Factor:** Direct labor rates plus all overhead factors, as established by the individual company, may be represented by (CR) in dollars per hour. The labor and overhead cost per linear foot of weld (CL) then becomes:

$$CL = \frac{(T)(CR)}{OF} \dots \dots \dots (2)$$

The denominator (OF) in this equation is the operating factor, which needs explanation.

Actual arc time is considered only during the time the weldor is applying productive weld metal. While assembling, positioning, and tacking, the weldor is "preparing" to join. When removing an assembly from the positioner or cleaning a weld, he is executing necessary "follow-up" operations. When changing electrodes, moving from one location to

**TABLE 12-1. Definition of Symbols Used in the Cost Equations**

A	=	Cross-sectional area of the weld, in. <sup>2</sup>
CE	=	Cost of electrode (or filler wire), dollars/lb
CF	=	Cost of flux, dollars/lb
CG	=	Cost of shielding gas per unit volume, dollars/ft <sup>3</sup>
CL	=	Cost of labor and overhead per linear foot of weld, dollars/ft
CM	=	Cost of consumable welding materials per linear foot of weld, dollars/ft
CR	=	Cost of labor and overhead, dollars/hr
D	=	Deposition rate, lb/hr
DE	=	Deposition efficiency, weight ratio of weld metal deposited to electrode consumed
OF	=	Operating factor, ratio of productive time to total time required by the weldor
OH	=	Overhead
M	=	Melt-off rate of the electrode, lb/hr
S	=	Speed of electrode travel, or "joint speed," ft/hr
T	=	Time required per linear foot of weld, hr/ft
T'	=	Approximate value of T, hr/ft
VG	=	Volume of shielding gas required per linear foot of weld, ft <sup>3</sup> /ft
WE	=	Weight of electrode (or filler wire) consumed per linear foot of weld, lb/ft
WE'	=	Approximate value of WE, lb/ft
WF	=	Weight of flux required per linear foot of weld, lb/ft
WW	=	Weight of weld metal deposited per linear foot of weld, lb/ft

another, or taking a coffee break, he is not joining. The total hours he works are always more than the hours he welds, and the ratio of the hours spent in welding to the total hours worked is known as the operating factor. This factor is one of the most basic factors in cost formulas, and must be determined accurately in order to make sound evaluations of costs.

The operating factor may be defined by the equation:

$$OF = \frac{\text{Arc Time}}{\text{Total Time}}$$

where total time is arc time plus the time the weldor spends in operations other than welding, including time for personal purposes. Since arc time is always divided by a larger number, the ratio is always less than 1.0, and thus a decimal. For convenience in referring to operation factors, the ratio is multiplied by 100 and expressed as a percentage. Thus, one speaks of an operating factor of 30, 40, or 50%. When using an operating factor in a cost formula, however, it must be kept in the decimal form. Thus, a 40% operating factor would be written .40 in a cost formula. Values for (OF) usually range from 0.2 to 0.6, but may be higher for automated welding or lower for construction field welding. However, the (OF) should be carefully determined since it has considerable bearing on the final estimated welding cost.

By adding the values calculated for (CM) and (CL), the welding cost per linear foot of weld is found:

$$\text{Cost per linear foot of weld} = (CM) + (CL) \dots (3)$$

Multiplying the cost per linear foot by the number of feet of weld gives the calculated cost of welding. The accuracy of the value obtained will depend upon the accuracy of the factors used.

### CALCULATIONS FOR WELDS NOT LISTED

When the weld under consideration is not listed in the procedures tables of this handbook, the same cost equations apply, but the values for (WE) and (T) — and (WF) and (VG) if applicable — must be determined by computation or by measurement from test welds. Other equations are required for such computations.

At this point, it becomes necessary to make a distinction between (WE), the weight of electrode consumed, and (WW), the weight of weld metal deposited. In most welding processes (the notable

exception is the submerged-arc process), not all of the electrode ends up as a useful deposit of weld metal. Some is lost as spatter and vaporization, and a substantial portion of the weight of the electrode may be made up of materials for providing an arc shield and a protective slag. Consequently, the weight of electrode (WE) required to produce a given length of weld is usually greater than the weight of metal (WW) required for the weld.

The proportion of the electrode that ends up as weld metal, however, is fairly constant for each welding process and, as shown later in Equation 4, weight of electrode required can be calculated if the weight of weld metal is known. The weight of electrode can also be measured directly from a test weld, in which case a computation for (WW) is not required.

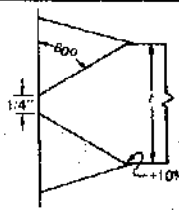
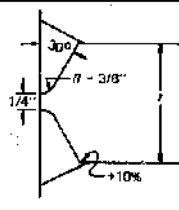
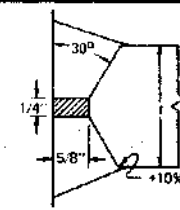
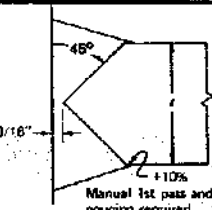
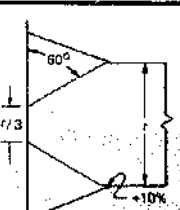
A similar distinction must be made between the two quantities that can be used to compute welding time (T). One of these is the melt-off rate (M) in pounds per hour at which the electrode is melted during welding. The other quantity is the deposition rate (D) in pounds per hour at which weld metal is

TABLE 12-2. Weight of Steel Weld Metal for Fillet Joints

Size of Fillet (in.)	Weight of Metal (lb/ft)		
	Flat	Convex	Concave
1/8	0.032	0.039	0.037
3/16	0.072	0.087	0.083
1/4	0.129	0.155	0.147
5/16	0.201	0.242	0.230
3/8	0.289	0.349	0.331
7/16	0.394	0.475	0.451
1/2	0.514	0.620	0.589
9/16	0.651	0.785	0.745
5/8	0.804	0.970	0.920
3/4	1.16	1.40	1.32
7/8	1.58	1.90	1.80
1	2.06	2.48	2.36
1-1/8	2.60	3.14	2.98
1-1/4	3.21	3.88	3.68
1-3/8	3.89	4.69	4.45
1-1/2	4.62	5.58	5.30
1-5/8	5.43	6.55	6.22
1-3/4	6.29	7.59	7.21
1-7/8	7.23	8.72	8.28
2	8.23	9.93	9.43

Note: Values are for leg size 10% oversize, consistent with normal shop practices.

TABLE 12-3. Weight of Steel Weld Metal for Groove Joints with Fillet Reinforcement (lb/ft)

Weld Configuration										
	Plate Thickness (in.)	30° Reinforcement	20° Reinforcement	30° Reinforcement	20° Reinforcement	30° Reinforcement	20° Reinforcement	30° Reinforcement	20° Reinforcement	30° Reinforcement
5/8	0.456	0.364	0.544	0.452	2.53	1.96	1.33	1.11	0.427	
3/4	0.811	0.649	0.735	0.626	3.02	2.40	1.71	1.43	0.616	
7/8	1.26	1.01	1.01	0.830	3.54	2.86	2.14	1.79	0.901	
1	1.82	1.46	1.33	1.06	4.07	3.34	2.61	2.19	1.09	
1-1/8	2.48	1.99	1.62	1.30	4.63	3.84	3.13	2.64	1.39	
1-1/4	3.24	2.60	1.93	1.56	5.19	4.35	3.70	3.12	1.71	
1-3/8	4.11	3.28	2.26	1.83	5.80	4.89	4.30	3.63	2.07	
1-1/2	5.07	4.06	2.62	2.13	6.41	5.45	4.96	4.19	2.46	
1-5/8	6.14	4.91	3.01	2.45	7.06	6.02	5.66	4.78	2.89	
1-3/4	7.30	5.84	3.41	2.79	7.72	6.62	6.40	5.41	3.35	
2	9.94	7.94	4.29	3.52	9.11	7.85	8.03	6.79	4.38	
2-1/8	11.4	9.12	4.75	3.91	9.85	8.51	8.91	7.54	4.94	
2-1/4	13.0	10.4	5.25	4.32	10.6	9.18	9.83	8.32	5.54	
2-3/8	14.7	11.7	5.77	4.75	11.4	9.87	10.8	9.14	6.18	
2-1/2	16.4	13.1	6.31	5.20	12.2	10.6	11.8	10.0	6.85	
2-5/8	18.3	14.7	6.88	5.67	13.0	11.4	12.9	10.9	7.55	
2-3/4	20.3	16.2	7.46	6.16	13.8	12.1	14.0	11.8	8.28	
3	24.6	19.6	8.71	7.20	15.5	13.6	16.3	13.8	9.85	

actually deposited. These two quantities usually differ for the same reason that the weight of electrode consumed does not necessarily equal the weight of weld metal deposited.

As shown later in Equations 5 through 9, values of (M) and (D), along with welding speed (S) in feet per hour, are used in various combinations with (WE) and (WW) to estimate electrode and labor costs.

#### Direct Measurement of Electrode Consumption:

The weight of electrode required can be determined from direct measurements (usually on test welds), either on the basis of weld length or time. If computations are being made on the basis of length (pounds per foot of weld), the measured weight of electrode consumed is divided by the length of the weld to provide a value for (WE).

Stick electrode consumption is easily measured directly. The most common method is to weigh more than enough electrode to make the test weld. After completing the test weld, the unused electrode is weighed. The difference in weight, before and after, is the measured weight of the electrode consumed for the length of the test weld.

Making a test weld using less than one complete electrode usually is not accurate and is not recommended. However, if it is necessary to make a test weld using less than one length of electrode, the weight of the electrode consumed must be increased a proportional amount to include the stub-end loss. Stub ends are usually 1-1/2 to 3 in. long.

With electrode wire, sufficient wire should be unwound from the coil and marked with a clamp or colored pencil. Measure from the mark to a convenient point at the wire feeder. Consumption of electrode is then found by noting the distance the mark advances. The weight can be computed by using the tables in the Reference Data Section.

**Calculating Electrode Consumption:** Most methods of calculating (WE) are based on an estimate of (WW), the weight of weld metal deposited. There are, in turn, several ways in which (WW) can be found. The most direct method is to select values of (WW) from Tables 12-2, 12-3, or 12-4. If the weld is not listed in these tables or in the welding procedures, (WW) can be calculated from the volume of weld metal required for the given weld cross-sectional area (A).

TABLE 12-3. Weight of Steel Weld Metal for Groove Joints with Fillet Reinforcement (Continued)

0.854 1.15 1.48	0.501 0.805 1.18	1.45 1.95 2.50	1.39 1.79 2.22	1.52 1.89 2.29	1.09 1.45 1.99	1.15 1.49 1.85
1.86 2.28 2.74	1.63 2.14 2.73	3.13 3.83 4.59	2.70 3.22 3.76	2.72 3.17 3.55	2.30 2.79 3.31	2.23 2.63 3.06
3.24 3.78 4.36	3.39 4.12 4.92	5.42 6.31 7.28	4.26 4.99 5.56	4.15 4.67 5.22	3.88 4.49 5.14	3.52 3.99 4.49
4.99 6.35 7.10	5.80 7.76 8.85	8.32 10.6 11.8	6.36 7.90 8.73	5.80 7.02 7.67	5.83 7.33 8.05	5.02 6.15 6.74
7.88 8.73 9.60	9.99 11.3 12.5	12.1 14.5 15.9	9.58 10.5 11.4	8.33 9.04 9.66	9.00 9.91 10.9	7.36 8.00 8.66
10.5 11.5 13.5	13.9 15.3 18.4	17.5 19.0 22.4	12.4 13.4 15.6	10.5 11.3 12.9	11.8 12.8 15.0	9.35 10.1 11.6

A somewhat less precise estimate of (WW) can be made from values of deposition rate and welding speed, using Equation 9. Regardless of the procedure used to find (WW), electrode consumption (WE) is determined by the equation:

$$WE = \frac{WW}{DE} \dots \dots \dots (4)$$

where (DE) is the deposition efficiency, a factor that compensates for loss of electrode material as shielding vapor, slag, and spatter. Typical values of this factor for various processes are:

- Stick-electrode welding . . . . .0.65
- Self-shielded flux-cored welding . . . .0.82
- Gas metal-arc welding . . . . .0.92
- Submerged-arc welding . . . . .1.00

Submerged-arc welding has a deposition efficiency of 1.00, because the flux is separately applied and spatter is essentially nonexistent. However, as a rule-of-thumb, flux consumption with submerged-arc approximates one pound for each pound of electrode melted.

**Determining Weight of Weld Metal:** Estimates of weld metal (WW) required to predict electrode consumption through Equation 4 can be made by first finding (A), the cross-sectional area of the weld in square inches. This value is then multiplied by an appropriate conversion factor (3.4 for steels and 1.2 for aluminum) to determine (WW) in pounds per linear foot of weld. The factor (3.4) is approximate for most alloy steels, including stainless steels.

Tabular data, such as found in Tables 12-2, 12-3, and 12-4, give weight of steel weld metal directly. Thus, Table 12-2 gives the weight of weld metal in pounds per foot for various sizes of flat, convex, and concave fillet welds. Table 12-3 illustrates various groove welds with fillet reinforcements that might be used in T-shaped assemblies and gives the weight of weld metal in pounds per foot for such welds with different plate thicknesses. Table 12-4 gives similar values for (WW) for commonly used butt joints.

A butt joint, however, may be shaped so the tabular data in Table 12-4 does not apply. In that case, Table 12-5 may be helpful. With its use, the weights of portions of the weld's cross section can

TABLE 12-4. Weight of Steel Weld Metal for Butt Joints

Joint Configuration						
	Weight of Weld Metal (lb/ft)					
	Plate Thickness (in.)	Included Angle (deg)				
	60	20	20	0	20	0
1	1.81	2.24	1.82		1.54	
1-1/8	2.17	2.61	2.17		1.89	
1-1/4	2.61	2.99	2.52		2.27	
1-3/8	3.09	3.37	2.88		2.65	
1-1/2	3.57	3.76	3.27		3.07	
1-5/8	4.12	4.18	3.65		3.50	
1-3/4	4.67	4.59	4.05		3.94	
2	5.93	5.44	4.87		4.91	
2-1/8	6.58	5.88	5.28		5.40	
2-1/4	7.32	6.34	5.72		5.94	
2-3/8	8.05	6.80	6.16		6.50	
2-1/2	8.87	7.28	6.63		7.06	
2-5/8	9.67	7.76	7.10		7.65	
2-3/4	10.5	8.26	7.57		8.25	
3	12.4	9.27	8.55		9.54	
3-1/8	13.3	9.80	8.90		10.2	10.2
3-1/4	14.5	10.3	9.40		10.8	10.8
3-1/2	16.5	11.2	10.6		12.3	12.1
3-3/4	18.8	12.5	11.6		13.8	13.3
4	21.2	13.7	12.9		15.4	14.7
4-1/2	26.4	16.2	15.2		18.9	17.2
5	32.3	18.8	17.8		22.6	19.8
5-1/2	38.7	21.6	20.5	20.4	26.7	22.3
6	45.7	24.6	23.4	23.0	31.0	25.0
6-1/2	53.3	27.8	26.4	25.4	35.6	27.0
7	61.4	30.4	29.6	28.1	40.5	30.1
7-1/2	70.0	34.3	32.9	30.6	46.0	32.8
8	79.5	37.9	36.4	33.3	51.7	35.3
9	99.9	45.5	43.9	38.4	63.9	40.4
10	122.6	53.8	52.0	43.5	77.4	45.6

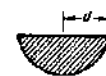
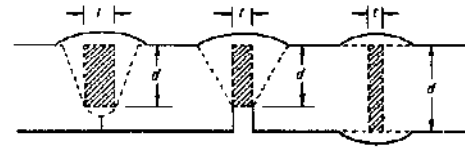
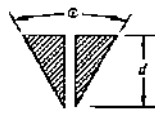
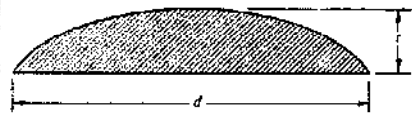
Note: Reinforcement + 10% width of groove.

be determined one by one, and these weights totaled to give the weight of weld metal in pounds per foot for that configuration of cross section.

In Table 12-5, segments that can be scribed by straight lines through the cross section of the butt

weld are indicated by drawings labeled A, B, C, and D. The values for the weight of the segments are read from the columns, using the applicable dimensions for (d) and (t) or the applicable included angle.

For example, the cost estimator needs to know



Dimension d (in.)	Dimension t (in.)*				Included Angle, $\theta^\circ$					Dimension t (in.)						Dimension d (in.)
	1/16	1/8	3/16	1/4	14	20	60	70	90	1/16	1/8	3/16	1/4	3/8	1/2	
1/8					0.0065	0.0094	0.031	0.037	0.054	0.027	0.053	0.080	0.106	0.159	0.212	0.083
3/16	0.027				0.0147	0.021	0.069	0.084	0.120	0.040	0.080	0.119	0.159	0.239	0.318	0.188
1/4	0.035				0.026	0.037	0.123	0.149	0.212	0.053	0.106	0.159	0.212	0.318	0.425	0.334
5/16	0.044				0.041	0.059	0.192	0.232	0.332	0.066	0.133	0.199	0.265	0.390	0.531	0.531
3/8	0.053	0.106			0.059	0.084	0.276	0.334	0.478	0.080	0.159	0.239	0.318	0.478	0.637	0.750
7/16	0.062	0.124	0.186		0.080	0.115	0.376	0.456	0.652	0.091	0.186	0.279	0.371	0.557	0.743	1.02
1/2	0.071	0.142	0.212		0.104	0.150	0.491	0.595	0.850	0.106	0.212	0.318	0.425	0.637	0.849	1.33
9/16	0.080	0.159	0.239		0.132	0.190	0.621	0.753	1.08	0.119	0.239	0.358	0.478	0.716	0.955	
5/8	0.089	0.177	0.266		0.163	0.234	0.766	0.930	1.33	0.133	0.265	0.398	0.531	0.796	1.06	
11/16	0.097	0.195	0.292	0.389	0.197	0.283	0.927	1.13	1.61	0.146	0.292	0.438	0.584	0.876	1.17	
3/4	0.111	0.212	0.318	0.424	0.234	0.337	1.11	1.34	1.91	0.159	0.318	0.478	0.637	0.955	1.27	
13/16	0.114	0.230	0.345	0.460	0.275	0.396	1.30	1.57	2.24	0.172	0.345	0.517	0.690	1.04	1.38	
7/8	0.124	0.248	0.372	0.490	0.319	0.459	1.50	1.82	2.60	0.186	0.371	0.557	0.743	1.11	1.49	
15/16	0.133	0.266	0.398	0.530	0.367	0.527	1.73	2.07	3.00	0.199	0.398	0.597	0.796	1.19	1.59	
1	0.142	0.282	0.418	0.566	0.417	0.599	1.96	2.38	3.40	0.212	0.425	0.627	0.849	1.25	1.70	
1-1/16	0.150	0.301	0.451	0.602	0.471	0.676	2.22	2.68	3.84	0.226	0.451	0.677	0.902	1.35	1.80	
1-1/8	0.159	0.318	0.477	0.637	0.528	0.758	2.48	3.02	4.30	0.239	0.478	0.716	0.955	1.43	1.91	
1-3/16	0.168	0.336	0.505	0.672	0.588	0.845	2.77	3.36	4.80	0.252	0.504	0.756	1.01	1.51	2.02	
1-1/4	0.177	0.354	0.531	0.706	0.651	0.936	3.07	3.72	5.32	0.265	0.531	0.796	1.06	1.59	2.12	
1-5/16	0.186	0.372	0.557	0.743	0.718	1.03	3.38	4.10	5.86	0.279	0.557	0.836	1.11	1.67	2.23	
1-3/8	0.195	0.389	0.584	0.777	0.789	1.13	3.71	4.50	6.42	0.292	0.584	0.876	1.17	1.75	2.34	
1-7/16	0.203	0.407	0.610	0.814	0.836	1.24	4.05	4.91	7.02	0.305	0.610	0.915	1.22	1.83	2.44	
1-1/2	0.212	0.425	0.636	0.849	0.938	1.35	4.42	5.36	7.64	0.318	0.637	0.955	1.27	1.91	2.55	
1-9/16	0.221	0.442	0.664	0.884	1.02	1.46	4.79	5.81	8.30	0.332	0.664	0.995	1.33	1.99	2.65	
1-5/8	0.230	0.460	0.690	0.920	1.10	1.58	5.18	6.29	8.98	0.345	0.690	1.04	1.38	2.07	2.76	
1-11/16	0.239	0.477	0.716	0.956	1.19	1.71	5.59	6.80	9.68	0.358	0.716	1.07	1.43	2.15	2.87	
1-3/4	0.249	0.495	0.743	0.990	1.28	1.84	6.01	7.29	10.4	0.371	0.743	1.11	1.49	2.23	2.97	
1-13/16	0.257	0.513	0.770	1.03	1.37	1.97	6.45	7.81	11.1	0.385	0.769	1.15	1.54	2.31	3.08	
1-7/8	0.266	0.531	0.796	1.06	1.47	2.10	6.90	8.36	11.9	0.390	0.796	1.19	1.59	2.39	3.18	
1-15/16	0.274	0.549	0.823	1.10	1.56	2.25	7.36	8.94	12.8	0.411	0.822	1.23	1.65	2.47	3.29	
2	0.283	0.566	0.849	1.13	1.67	2.40	7.85	9.52	13.6	0.425	0.849	1.27	1.70	2.55	3.40	

Note 1: For 45° angle use one half of 90°.

\*Reinforcement d is + 10% the width of the groove.

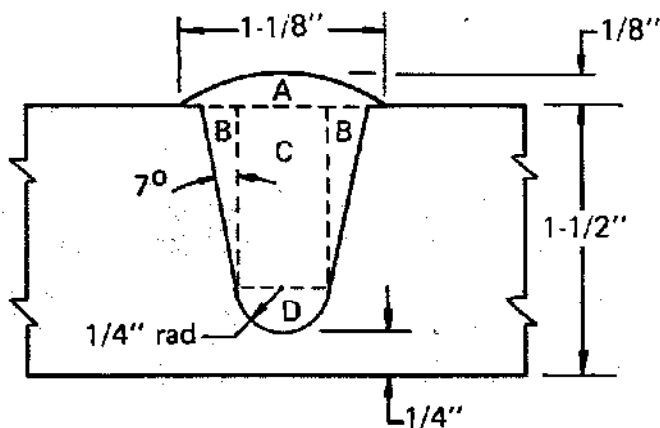


Fig. 12-1. Weld cross section used to illustrate procedure for calculating weight of weld metal by Table 12-5.

the weight of weld metal per linear foot — (WW) value — for the groove weld shown in Fig. 12-1 in order to use that value in a cost equation. He divides the cross section into the A, B, C, and D segments illustrated by dotted lines in Fig. 12-1. These segments are shapes that match the shapes illustrated in Table 12-5. By using given dimensions for the weld and reading from the table, the weights of weld for the individual segments are determined. Thus —

Segment	Given Dimensions or Included Angle	(WW) of Each Segment from Table 12-5 (lb/ft)
A	t = 1/8 in. d = 1-1/8 in.	0.318
B	included angle - 70° + 70° = 140° d = 1-1/2 - (1/4 + 1/4) = 1 in.	0.417
C	t = 1/4 + 1/4 = 1/2 in. d = 1-1/2 - (1/4 + 1/4) = 1 in.	1.700
D	r = 1/4 in.	0.334
TOTAL or value of (WW) for the joint		2.769 lb/ft

**Estimates of Welding Time:** Values of (T) can be found by several methods. The estimate can be projected from a direct measurement of the time to deposit one foot of a test weld. Or, if the electrode type and welding current are known, the time (T) can be calculated from the deposition rate (D). Deposition rates are given in Figs. 6-81, 6-86, and 12-2 through 12-7 and in Tables 6-22, 6-27, and 12-6. Then a value for (WW) can be selected from a table or computed from the cross-sectional area (A) of the weld. Finally, the time in hours per foot required to complete the weld is found from the equation:

$$T = \frac{WW}{D} \dots \dots \dots (5)$$

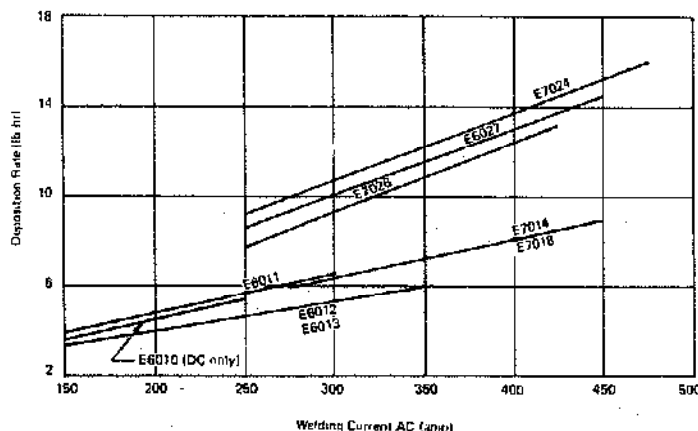


Fig. 12-2. Typical deposition rates for stick-electrode welding.

If the value of (D) is not available, (T) can be calculated by an approximation utilizing handbook values for similar types of welds. For this estimate, values of (T) and (WE) are selected for a type of weld and plate thickness closest to the weld under consideration. These values — designated (T') and (WE') to indicate that they are approximates and do not apply directly to the weld at hand — are used to approximate the melt-off rate through:

$$M \approx \frac{WE'}{T'} \dots \dots \dots (6)$$

The value of (WE) obtained from Equation 4 and the value of (M) obtained from Equation 6 are then used to estimate welding time through:

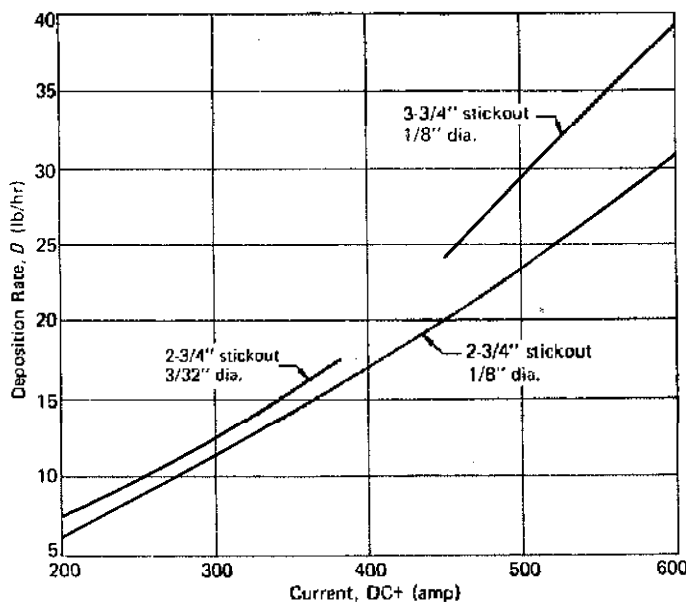


Fig. 12-3. Typical deposition rates for E70T-4 self-shielded flux-cored electrodes.

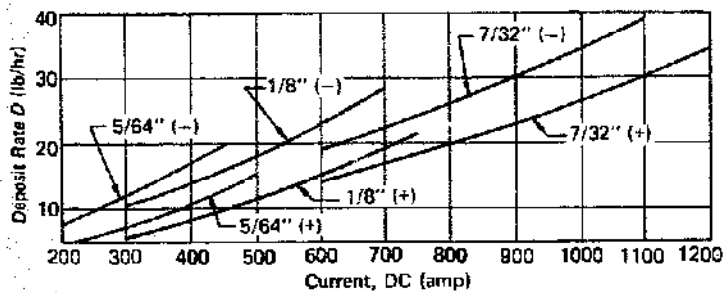


Fig. 12-4. Typical deposition rates for submerged-arc welding with 1-in. stickout.

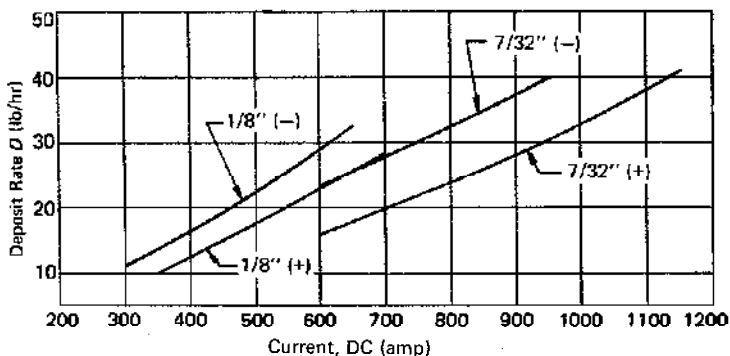


Fig. 12-6. Typical deposition rates for submerged-arc welding with 3-in. stickout.

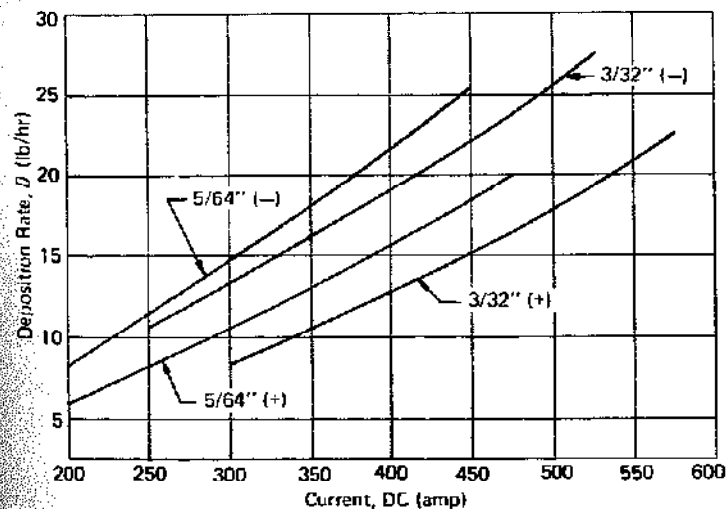


Fig. 12-5. Typical deposition rates for submerged-arc welding with 2-1/4-in. stickout.

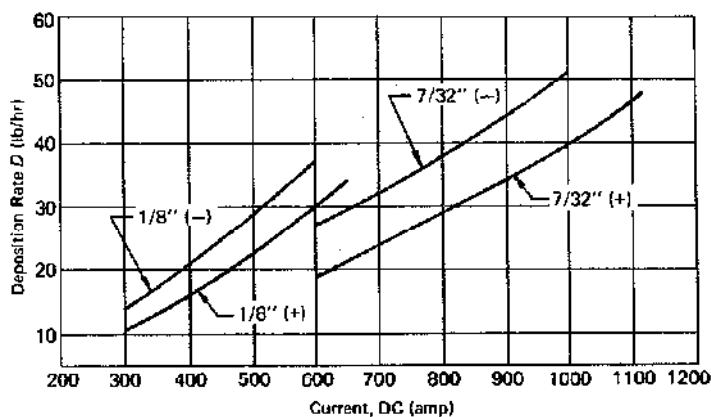


Fig. 12-7. Typical deposition rates for submerged-arc welding with 5-in. stickout.

TABLE 12-6. Typical Electrode Deposition Rates for Submerged-Arc Welding (lb/hr)

Welding Current (amp)	Electrode Diameter (in.)						
	1/16	5/64	3/32	1/8	5/32	3/16	7/32
200	5.1	4.1					
300	8.3	6.9	6.6	5.7			
400	12.8	10.1	9.5	8.5	7.9		
500	18.8	14.8	12.9	11.6	11.2	10.5	
600			17.3	15.0	14.7	13.8	13.1
700				19.0	18.3	17.3	16.2
800				23.6	22.0	21.0	19.5
900					26.2	25.0	22.9
1000						29.2	26.4
1100						33.8	30.2
1200						38.7	34.8
1300							40.1

Note: Values are for single electrode, positive polarity, and 1-in. stickout. Add 30 to 50% for negative polarity.



$$T = \frac{WE}{M} \dots \dots \dots (7)$$

Some calculations can be made more conveniently if welding (or joint) speed (S) is used in place of (T). These two quantities are related through the equation:

$$T = \frac{1}{S} \dots \dots \dots (8)$$

An approximation of (WW) can be made by combining Equations 5 and 8 into:

$$WW = \frac{D}{S} \dots \dots \dots (9)$$

Labor and overhead cost per foot can be computed directly from measurement of welding speed by combining Equations 3 and 8 into:

$$CL = \frac{CR}{(S)(OF)} \dots \dots \dots (10)$$

**Deposition Rates for Submerged-Arc Welding:**

The deposition rate for submerged-arc welding can be approximated by referring to Table 12-6. This table gives values for single-electrode, positive-polarity welding with normal stickout. As indicated in the footnote, the values should be increased 30 to 50% for negative polarity. (Also see Table 6-22.)

**Time Required for Multiple-Pass Welds:** Time required for welds consisting of more than one pass can be found by first computing overall speed (S) from the equation:

$$S = \frac{1}{\frac{1}{S_1} + \frac{1}{S_2} + \dots + \frac{1}{S_n}} \dots \dots \dots (11)$$

where S<sub>1</sub>, S<sub>2</sub>, . . . S<sub>n</sub> are the speeds of the first, second, and all succeeding passes necessary to complete the weld.

**SUMMARY OF METHODS FOR COMPUTING COSTS**

**Materials:** The cost per foot of materials (CM) can be computed from Equation 1 if the amount of consumables (WE, WF, and VG) and their costs (CE, CF, and CG) are known. Weight of electrode (WE) can be found from Equation 4 if the weight of weld metal (WW) and deposition efficiency (DE) are known. Weight of weld metal (WW) can be computed from the cross-sectional area of the weld (A) and the density of the weld metal.

**Labor and Overhead:** The cost of labor and overhead per foot (CL) can be computed by Equation 2 if the time required (T), labor and overhead rate (CR), and the operating factor (OF) are known. Time (T) can be calculated by Equation 5 if the weight of weld metal (WW) and the deposition rate (D) are known; by Equation 7 if the weight of electrode consumed (WE) and the melt-off rate (M) are known; or by Equation 8 if the welding speed (S) is known. Labor and overhead costs per foot can be computed directly if (CR), (S), and (OF) are known.

**QUICK METHOD FOR ESTIMATING WELD COSTS**

At the beginning of this Section there is mention of several situations that require an accurate analysis of weld costs. Such an analysis requires considering many details and, though not complicated, the calculations are time consuming.

Some situations do not require the accuracy of a careful cost analysis. For example, preliminary estimates would be satisfactory for comparing two similar welding processes doing the same job or the same welding process with different conditions of material handling, fixturing, or positioning. A quick method for comparison purposes is to disregard the cost of consumables and calculate the cost only on the labor and overhead, arc speed and operating factor.

**Consumables:** The cost of consumables is the lesser part of the welding cost and furthermore, the cost of consumables does not vary widely among the welding processes when the deposition efficiency is considered. Table 12-7 shows the cost per foot of weld calculated on material prices at the time of this publication. The average cost of consumables in this example is about \$.05 per foot of weld and the deviation is small enough so for comparison purposes the cost of consumables can be disregarded.

**Labor and Overhead, Operating Factor, and Welding Speed:** Equation (2) gives the labor and overhead cost per linear foot of weld (CL). Modifying Equation (2), using feet per hour (S) in place of hours per foot (T), the equation becomes:

$$CL = \frac{CR}{(S)(OF)} \dots \dots \dots (12)$$

This equation states the estimated cost per foot of weld (dollars/foot) is the labor and overhead rate divided by the welding speed (feet/hour) and the operating factor.

TABLE 12-7. Estimated Cost of Consumables for Various Welding Processes

Process	Type of Electrode	Electrode Cost (\$/lb)	Deposition Efficiency (%)	Consumables Cost of Deposited Metal	
				(\$/lb)	(\$/ft)*
Shielded Metal-Arc	E7024	.191	65	.29	.046
Self-Shielded Flux-Cored	E70T-G	.315	82	.38	.059
Submerged-Arc	EL12	.199 + flux	100	.34	.053
Gas Metal-Arc	E70S-3	.243 + gas	92	.31	.048

\* Horizontal fillet, 1/4-in. leg size, commercial quality.

For example, a particular application is making a 1/4-in. horizontal fillet weld with 7/32-in. E7024 electrode. Welding speed is 85 feet per hour, operating factor is .30, and the labor plus overhead rate is \$7.00 per hour. Applying Equation (12):

(See Table 12-8.)

$$\text{Estimated cost is } \frac{7.00}{85 \times .30} = \$.274/\text{ft}$$

The welding engineer studies the job and considers increasing the operating factor by changes in the fixture and material handling. Perhaps the operating factor can be increased to .40. (See Table 12-8):

$$\text{Estimated cost is } \frac{7.00}{85 \times .40} = \$.206/\text{ft}$$

There is some question that an operating factor of .40 can be achieved with stick electrode, so semi-automatic processes are considered with an estimated operating factor of .50. First review gas metal-arc welding (See Table 12-8):

$$\text{Estimated cost is } \frac{7.00}{80 \times .50} = \$.175/\text{ft}$$

The next process checked is the self-shielded flux-cored process (See Table 12-8):

$$\text{Estimated cost is } \frac{7.00}{100 \times .50} = \$.140/\text{ft}$$

Finally the submerged-arc process is checked (See Table 12-8):

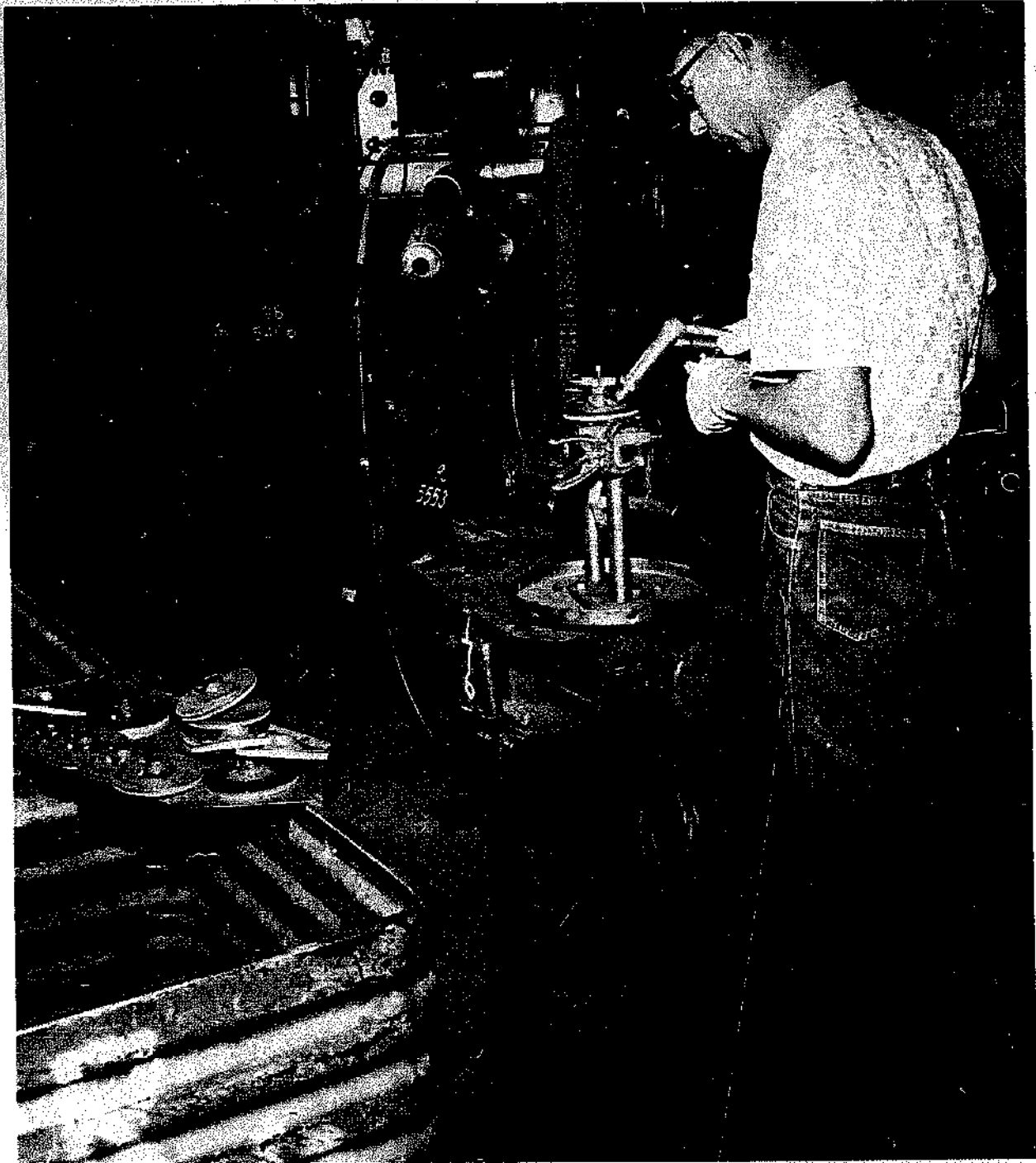
$$\text{Estimated cost is } \frac{7.00}{110 \times .50} = \$.127/\text{ft}$$

This data on weld costs can be calculated quickly, the engineer can evaluate savings in the cost of welding against the capital expenditure necessary to change the present equipment or buy new equipment.

The cost data calculated above and summarized in Table 12-8 should be used for comparison only. After deciding which process is to be seriously considered, careful and complete cost analysis can be made.

TABLE 12-8. Estimated Labor and Overhead Costs from Equation (12). Horizontal Fillet Weld, 1/4-in. Leg Size, Commercial Quality

Process	Arc Speed (ft/hr)	Operating Factor	Labor and Overhead (\$/hr)	Weld Cost (\$/ft)
Shielded Metal-Arc (Stick)	85	.30	7.00	.274
Shielded Metal-Arc (Stick)	85	.40	7.00	.206
Gas Metal-Arc (Semiautomatic)	80	.50	7.00	.175
Self-Shielded Flux-Cored (Semiautomatic)	100	.50	7.00	.140
Submerged-Arc (Semiautomatic)	110	.50	7.00	.127



Sometimes a very simple fixture will improve the operating factor and reduce the cost of welding.

## Section 13

# SPECIAL APPLICATIONS

### SECTION 13.1

#### UNDERWATER ARC WELDING

	Page
Application .....	13.1-1
Weld Strength .....	13.1-1
Equipment .....	13.1-1
Preparing to Weld .....	13.1-2
The Self-Consuming Technique .....	13.1-2
A Hazard to Guard Against .....	13.1-3

### SECTION 13.2

#### WELDING GALVANIZED STEEL AND INGOT IRON

Welding Techniques for Galvanized Steel ..	13.2-1
Welding Ingot Iron .....	13.2-3

### SECTION 13.3

#### WELDING STEEL PIPE

Pipe Steels and Electrodes .....	13.3-1
Vertical-Down Techniques .....	13.3-2
Vertical-Up Techniques .....	13.3-4
Horizontal Techniques .....	13.3-6
Double-Ending .....	13.3-7
API Procedure and Qualification Requirements .....	13.3-8
Codes for In-Plant Piping .....	13.3-9

### SECTION 13.4

#### WELDING CONCRETE REINFORCING BARS

Steel for Reinforcing Bars .....	13.4-1
Joint Design .....	13.4-3
Welding Procedures .....	13.4-4

### SECTION 13.5

#### ARC GOUGING

Description of the Process .....	13.5-1
Types of Electrodes .....	13.5-2
Power Sources .....	13.5-3

Air Supply .....	13.5-3
Torches .....	13.5-4
Metallurgical Considerations .....	13.5-4
Safety Precautions .....	13.5-4
Trouble-Shooting .....	13.5-4

### SECTION 13.6

#### WELDING CLAD STEELS

Commonly Used Backing Steels .....	13.6-1
Considerations When Welding .....	13.6-1
Shielded Metal-Arc Welding of Clad Steels ..	13.6-2
Welding the Steel Side .....	13.6-2
Back-Gouging the Clad Side .....	13.6-2
Welding the Clad Side .....	13.6-3
Full-Alloy Welding .....	13.6-4
Welding Heavy-Gage Clad-Steel Plate ..	13.6-6
Gas-Shielded Welding of Clad Steels .....	13.6-6
Submerged-Arc Welding of Clad Steels .....	13.6-6
How to Handle Special Joints .....	13.6-7
Weld Defects .....	13.6-7
Preheating and Stress Relief .....	13.6-8

### SECTION 13.7

#### HARDSURFACING BY ARC WELDING

Hardsurfacing Materials .....	13.7-1
Tungsten Carbide .....	13.7-1
Chromium Carbides .....	13.7-2
Semiaustenitic Steels .....	13.7-4
Austenitic Manganese Steels .....	13.7-4
Austenitic Stainless Steels .....	13.7-5
Martensitic Stainless Steels .....	13.7-5
Heat-Treatable Steels .....	13.7-5
Copper Alloys .....	13.7-7
Selecting Hardsurfacing Alloys .....	13.7-7
Selecting to Maintain a Cutting Edge ..	13.7-7
Selecting to Protect a Single Surface ..	13.7-8
Selecting to Protect Contacting Surfaces ..	13.7-8

Practical Considerations in Selection	13.7-9
Methods for Depositing Hardsurfacing	13.7-10
Control of Properties	13.7-10
Avoiding Spalling	13.7-11
Avoiding Underbead Cracking	13.7-12
Recommended Preheats	13.7-12
Avoiding Stress Failure	13.7-12
Avoiding Weld Cracking	13.7-13
Avoiding Distortion	13.7-14
Hardsurfacing with Alloy Fluxes	13.7-14
Low-Alloy Flux	13.7-14
Medium-Alloy Flux	13.7-15
Medium High-Alloy Flux	13.7-15
High-Alloy Flux	13.7-15
Single Submerged-Arc Hardsurfacing	
Procedures	13.7-16

Twin-Electrode and Oscillating	
Submerged-Arc Hardsurfacing	
Procedures	13.7-16
Circumferential Submerged-Arc	
Hardsurfacing Procedures	13.7-18
Tests for Abrasion and Impact Resistance	13.7-19

## SECTION 13.8

### THAWING FROZEN WATER PIPES

How An Arc Welder Can Be Used	13.8-1
Current and Time Required	13.8-1
Equipment	13.8-1
Pipe-Thawing Procedures	13.8-2

# Underwater Arc Welding

Underwater arc welding has been developed to a stage of practical utility largely by the U.S. Navy and commercial salvage and diving companies. Its main use has been in the emergency repair of ships, but, with the expansion of offshore drilling for oil and gas, it is becoming increasingly important in the construction and maintenance of drilling rigs and associated equipment. Although the literature\* of the Bureau of Ships, Navy Department, still constitutes the most frequently quoted reference material on methods, techniques, and equipment, this original body of knowledge is being expanded by the experience and innovations of commercial organizations.

## APPLICATIONS

The Navy considers underwater welding suitable for emergency ship repairs of a "semipermanent nature" when no drydock facilities are available. Even then, the welding is to be looked upon as a secondary means of securing a patch to a damaged plate in a ship's hull and of making the repair watertight. The primary means of attachment of an underwater patch plate, other than a very small one, would be by bolting. Small patch plates, however, may be fillet-welded to hulls without other means of fastening as emergency repairs of cracks. Leaky rivets, split seams, and protuberances can also be repaired by underwater welding.

Underwater welding is sometimes the only practical method of making attachments or repairs on the equipment of the offshore oil and gas industry, in which case it falls out of the emergency category prescribed for naval vessels. As an example, anodes are commonly welded to underwater drilling structures to protect them from corrosion, and such welds have proved their durability under hurricane conditions. Commercial transport companies also make repairs to ships and barges underwater and operate repaired vessels for a year or more before

checking the repairs during routine dry-docking. While attempting to minimize underwater welding because of its cost, commercial organizations tend to look upon it as a practical way to accomplish certain construction and maintenance ends.

## WELD STRENGTH

Underwater welds in mild-steel plate have consistently exhibited tensile strengths of 80% or more of the strength of similar welds made in air in laboratory tests, however, ductility is usually about 50%. The substantial decrease in ductility is explained by the hardening resulting from the drastic quenching of the surrounding water.

Despite the lower strength of underwater welds, the experience of salvage companies and other commercial organizations indicates that these welds can be completely serviceable. One salvage company states that it has made underwater welds that tested stronger than similar topside test welds in the evaluations of an independent testing laboratory. This same company has made underwater welds in pressure vessels in research and development experiments that stood up without failure to pressures as high as 200 psi.

## EQUIPMENT

Equipment for underwater welding must be designed for the environmental conditions. The operator usually wears a complete diving outfit, the helmet of which is equipped with a supplementary hinged face plate fitted with No. 6 or 8 welding glass. The Navy recommends that the diver's head be insulated from the helmet by a skull cap and by a piece of rubber tape on the button of the exhaust valve. Although shallow-water work can be done by scubba divers with no protective garb other than rubber gloves and a face plate, this is permitted by the Navy only in extreme emergency.

Since electrode coatings are damaged by water, electrodes must be waterproofed. Airplane dope — cellulose acetate — is suitable for the purpose. Two

\*Bureau of Ships' publication, "Underwater Cutting and Welding Manual (NAVSHIPS 250-692-9)," may be obtained by sending 65 cents to the Superintendent of Documents, U.S. Government Printing Office, Washington, D.C.

proprietary products and a solution of celluloid in acetone are also mentioned in Navy literature as materials recommended for dip-waterproofing electrodes. One or two dips are required, depending on the consistency of the solution. After waterproofing, the newly applied coating should be cleaned from the tips of the electrodes to expose enough bare wire for easy starting. The diver should carry only a few electrodes at a time, since the waterproofing offers only temporary protection to the electrode coating. Some brands of electrodes perform satisfactorily without waterproofing if used within a short time after immersion.

Most underwater welding is done with 3/16 and 5/32-in. electrodes. The Navy recommends E6013 electrodes for all-position welding. The 3/16-in. electrode is recommended for all work, except when the metal is too thin for this size. However, recent experiments indicate that the iron-powder electrodes E6027 and E7024 are also satisfactory when used with the same techniques. The iron-powder coverings were treated with paraffin to protect them from water damage.

Electrode holders for underwater welding must be insulated and permit easy changing of electrodes. A plastic holder has been adopted as standard by the Navy. Springless-type topside holders with metal jaws may be used underwater when carefully and completely insulated with rubber tape. Their use should be restricted to emergency situations, however.

The preferred power source is a DC welding generator with at least 300-amp capacity, connected for straight (negative) polarity. A safety switch should be installed in the welding circuit, and this switch must be kept open at all times, except when the diver is actually welding. A single-pole, single-throw switch is commonly used. Care must be taken that the positive action of such a switch is not defeated by a damaged or poorly insulated cable between it and the welding machine, which could allow current to bypass the switch through a deck plate or some other metallic path. AC welders may be used if necessary, but additional special precautions must be taken to protect the diver. Diesel engines are preferred to drive DC generators in offshore work to reduce the fire hazard.

Size 2/0 extra-flexible welding cable (see Section 4.3) is recommended for underwater welding, except for a 10-ft length of 1/0 cable attached to the electrode holder to facilitate maneuverability. Cable is furnished in 50-ft lengths complete with one male and one female connector to minimize

voltage drop. A tight wrapping of rubber tape is required to insulate underwater connections. To compensate for voltage drop in the cable, the output of the welding machine must be increased by raising the open-circuit voltage of the DC generator.

In addition to the basic equipment, certain accessories will be required by the diver. These include a "C" clamp to which the ground cable is bolted or brazed — for easy attachment of the ground lead to the work. A scraper for removing marine growth, rust, and paint will also be needed, as will a weighted wire brush and a chipping hammer for cleaning the base metal and removing slag.

## PREPARING TO WELD

Surface preparation and fitup are extremely important in underwater welding. A sound weld cannot be made over thick paint, rust, or marine growth. The chipping hammer, scraper, and wire brush should be applied vigorously. Pneumatic tools may be of aid in cleaning surfaces badly fouled with marine organisms. Plates to be welded on can be prepared topside with a grinding wheel or sander.

Fitup is often a problem in the weld repair of ship hulls because of the curvature of the surface to which a plate is to be fillet-welded. If possible, the patch plate should be accurately faired to the curvature of the hull. If it is not practical to eliminate a gap entirely, it should be as small as possible. A 1/16-in. gap should be considered the maximum permissible, although gaps as great as 1/8-in. can be handled successfully by the "feeding-in" technique, described later.

A steady platform for the diver to work from is desirable. If the water is rough and the work can be delayed until calmer weather, that alternative should be taken. Attaching a stage to the object to be welded will provide a more steady work support than attaching to a diving launch, salvage ship, or float.

## THE SELF-CONSUMING TECHNIQUE

The so-called "self-consuming" or drag technique is preferred in underwater welding. Once the arc is started, the electrode is pressed against the work with sufficient pressure to allow it to "consume itself." By this technique, a 3/16-in. fillet can be made in a single pass with a 3/16-in. electrode,

and the resultant weld has nearly the same strength as a 3-pass weld. The advantages are reduced welding time, no cleaning of weld metal between passes, and the maintenance of a groove along the joint that serves as an easily followed guide for the progressing electrode.

Most underwater welding is fillet welding, and the self-consuming technique is the way to accomplish it expeditiously under the poor visibility and unsteady work conditions. Multipass welds are difficult after the first bead is laid because the guiding groove is lost.

**Welding Current:** Optimum current settings for underwater work are different from those in air, and they vary with length of cable and plate thickness. Sometimes the setting will be as much as 30% higher than that for the same electrode topside, since the surrounding water absorbs heat rapidly. Experiments under actual working conditions are recommended to determine the best settings for the self-consuming technique. Most underwater welding with the 3/16-in. E6013 electrode is done at 220 to 240 amp. Trial welds in the required position may be run with the equipment, using the self-consuming technique, and the settings adjusted to give best performance. The voltage remains nearly constant when using the self-consuming technique, and the rate of melt-off of the electrode is proportional to the current.

**Horizontal Fillet Welding:** With the safety switch open and the welding generator set to deliver the proper current, a horizontal fillet is made in the following manner:

1. The diver places the electrode against the joint at an angle of from 15 to 45°.
2. He calls for "current on." The arc should start when the topside switch is closed, or starting can be facilitated by tapping or scraping the electrode against the work.
3. Once the arc is started, the electrode is maintained against the work and allowed to "consume itself." An arc is not "held" as when welding in air. The original angle, as preferred by the weldor, is maintained as the bead is run. The bead is run straight — no weaving — until the fillet is finished or the electrode consumed. Constant pressure against the work is maintained. About 8 in. of weld metal is deposited for every 10 in. of electrode consumed.
4. When the electrode is consumed, the weldor calls for "current off." He should keep the

stub of the electrode in welding position until verification of "current off" is received from the tender. When assured that the safety switch is open, he is ready to change electrodes.

5. Before starting work with the new electrode, the end of the deposit (or the whole bead, if a multipass weld) should be cleaned. The deposit from the new electrode should slightly overlap the previous deposit.
6. The new electrode must be in position against the work before the call for "current on."

Bubbles generated during the welding tend to interfere with visibility. In horizontal welding, interference is minimized by welding toward, rather than away from, the weldor. Vertical welds should be made from the top down for the same reason.

**Vertical and Overhead Fillets:** The same technique for horizontal fillets is used for vertical fillets. The weldor may find a slight variation of the electrode-to-work angle advantageous. Some change in current setting may be helpful.

The optimum current range for overhead welding is relatively narrow, and experimentation with samples is usually required. Problems of undercutting and convexity of contour are likely to be encountered when penetration and fusion are good. Maintaining an angle of 35 to 55° between the electrode and line of the weld and a slow, steady rate of progression tend to reduce undercutting and convexity. These techniques require a skill that is obtained only after considerable practice.

Samples of overhead welding, brought to the surface, will indicate errors in procedure. Dripping beads, for example, suggest that the current was too high or that the weldor applied insufficient pressure, or both.

Although poor fitup should be avoided if possible, a satisfactory fillet weld can be made when the gap at the root is as great as 1/8-in. The technique is referred to as "feeding-in" — which simply means that the electrode is fed toward the joint faster than normal with self-consuming welding. Instead of running 8-in. of weld with 10-in. of electrode, about 6-in. is run. The excess weld metal fills up the gap; it solidifies rapidly and does not run out as it would in air.

## A HAZARD TO GUARD AGAINST

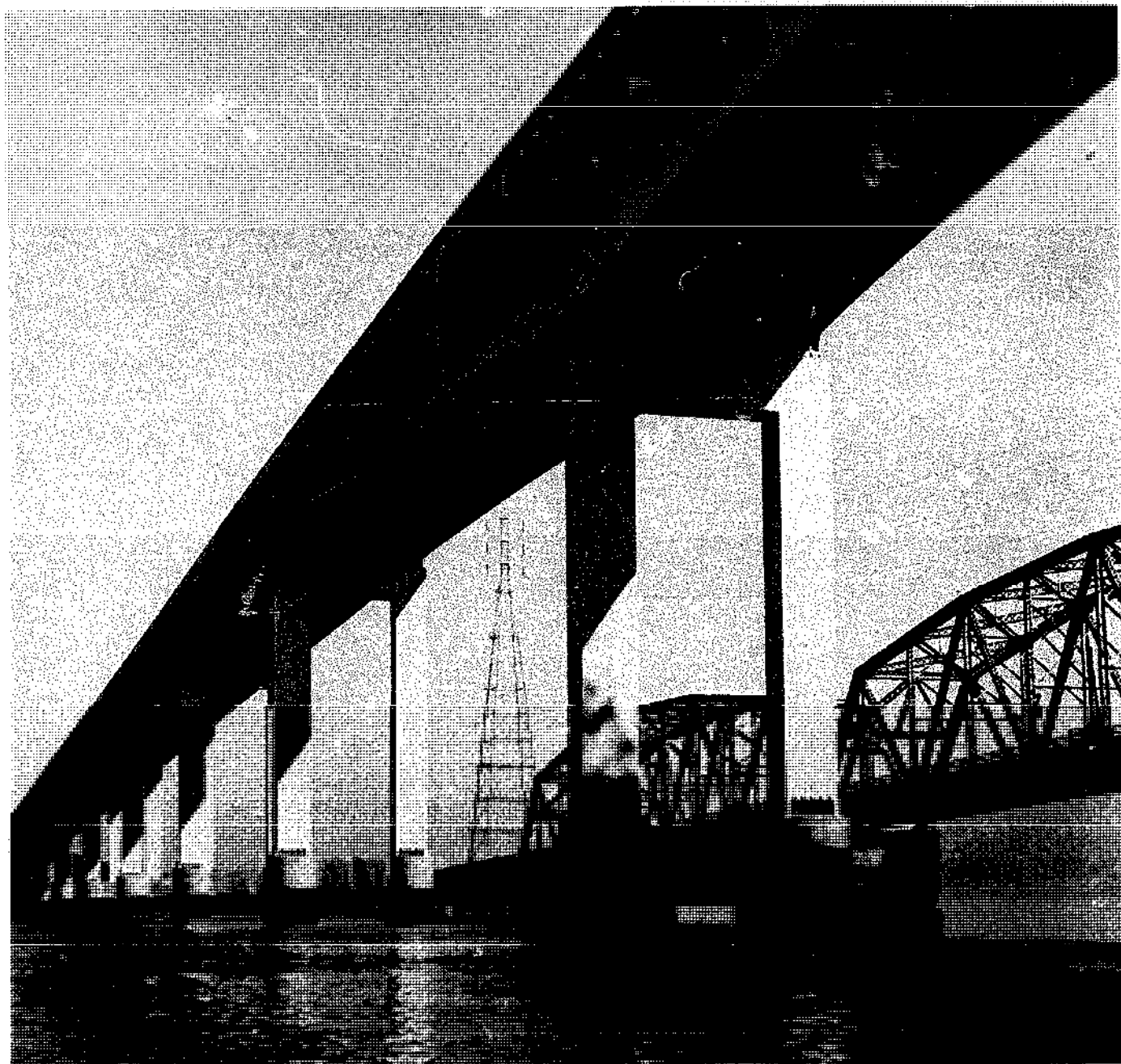
The need for protection of the diver from con-



tact with electric current is taken into account by the equipment and procedures. Another hazard exists that could be overlooked. This is the possibility of an explosion resulting from the accumulation of hydrogen gas in closed or inadequately ventilated compartments. The bubbles generated in underwater welding have been shown to be about 70% hydrogen. At the time of formation, this hydrogen cannot "burn up" because of the lack of oxygen in the environment. Once the hydrogen rises

above water, it continues to ascend until stopped by an overhead surface. Thus, it can accumulate as an overlayer in a closed compartment. Here, it is in contact with oxygen and is subject to explosive ignition by a spark or flame.

Prior to welding operations, closed compartments or corners that could trap and accumulate hydrogen gas should be provided with some means of positive ventilation.



San Mateo-Hayward (California) bridge. Note the old and new structures. See page 13.2-3 for the fixture used to weld the columns.

## Welding Galvanized Steel and Ingot Iron

Galvanizing — the application of a zinc coating to a ferrous metal — is an effective means for retarding the corrosion of steel. In the galvanizing process, a thin layer of zinc is applied to the steel by electrodeposition, metal spray, sherardizing, or hot-dipping.

The zinc used for galvanizing is nearly 100% pure. The thickness of the coating for galvanized sheet is expressed in ounces per square foot, one oz per sq ft being equivalent to a layer of zinc 0.0017-in. thick. The weight of zinc for galvanized sheet steel is given for both sides; thus a 2-oz-per-sq-ft coating indicates 1 oz per sq ft on each side.

The protective layer on hot-dip galvanized steel is pure zinc on the outer surface, under which are iron-zinc alloys with a progressively increasing iron content. After the pure zinc outer surface has corroded, the underlying iron-zinc alloys continue to protect the steel.

Welding, of course, disrupts the continuity of the protective surface, but investigations indicate that welding affects the corrosion resistance much less than the appearance of the finished joint would suggest. For all practical purposes, the effect is negligible on sheet steel. The arc obviously melts the zinc coating, and some of the coating escapes as zinc oxide fume.

Except for a narrow zone next to the weld bead, however, some zinc-iron alloy remains in the blackened area, and this alloy has essentially the same protective properties as the original zinc coating.

Galvanized sheet with a carbon content of less than 0.2% does not present any special welding problems. However, the lower maintenance costs of galvanized steel structures, such as bridges and storage tanks, have created a demand for galvanized materials in thicker sections and with higher tensile strengths. In general, galvanized plate over 1/4 in. thick has poorer weldability than the equivalent uncoated steel. Welds in galvanized plate have a tendency for porosity; small cracks are likely to develop in fillet welds. The porosity is usually within acceptable limits, but the cracking may pose a difficult problem.

Investigations have established that weld-metal cracks in galvanized steel are intercrystalline with a zinc-rich layer lining the surface of the crack. Batch galvanized plates do not have a uniform coating of zinc, and the cracking may, thus, occur to a varying degree associated with the varying thickness of the coating.

Most, if not all, of the cracking can be eliminated by removing the zinc before welding. The following methods, some of which are slow and costly, are recommended:

1. Shear or torch-cut the web members of fillet assemblies after galvanizing.
2. Prepare the edges of butt joints after galvanizing.
3. Burn off the zinc at the faying edges with a carbon arc or an acetylene torch while using an oxidizing flame.
4. Remove the zinc by grinding with a silicon carbide wheel, by gritblasting, or by sandblasting.

Cracking can also be caused by restraint, especially in fillet welds. The tendency for this type of cracking increases as the plate thickness increases. To reduce restraint, fit the joint with a small gap. This practice not only reduces the restraint but also provides a means for the volatilized zinc to escape.

### WELDING TECHNIQUES FOR GALVANIZED STEEL

**Shielded Metal-Arc Welding:** Use E6010 electrodes DCRP, with the same electrode size and current as recommended for uncoated steel (see Section 6.2). Class E6011 electrodes can be used if only AC power sources are available.

Oscillate the arc parallel to the seam with a whipping motion 1/8 to 5/16 in. ahead of the molten crater. This procedure volatilizes the zinc. The weld will contain porosity and possibly cracks if the zinc is not completely volatilized in the area where the weld metal is to be deposited.

On galvanized plate 1/4 in. or more in thickness, insufficient penetration may be a problem with fillet welds. Always use the largest electrode compatible with the plate thickness and welding position. With a whipping motion, concentrate on volatilizing the zinc ahead of the crater.

For complete penetration, butt joints on galvanized plate require slightly more gap compared to those used with uncoated steel plate. Considerable spatter occurs when welding galvanized steel, but an antispatter compound applied in the area of the weld reduces the difficulty of removal.

Welding or cutting galvanized steel always produces zinc fumes. These fumes are toxic, and persons in the vicinity must be protected with proper ventilation or by some other means. (See Section 15.1 and "Safety in Welding and Cutting-ANSI Standard Z49.1.")

TABLE 13-1. Typical Short-Circuiting Transfer Welding Conditions for Continuously Galvanized Sheet\*

Sheet Thickness (in.)	Joint Type	Position	Current (amps)	Voltage	Travel Speed (ipm)
1/16	Butt	Flat	80	18	12
1/16	Fillet	Flat	110	18	12
1/16	Butt	Vertical down	100	18	14
1/16	Fillet	Vertical down	120	18	14
1/16	Lap	Horizontal	100	18	12
1/16	Lap	Vertical down	100	18	13
1/8	Butt†	Flat	135	20	13
1/8	Butt†	Overhead	135	20	13
1/8	Fillet	Flat	135	20	11
1/8	Fillet	Vertical down	135	20	14
1/8	Fillet	Overhead	135	20	10
1/8	Lap	Horizontal	130	19	10
1/8	Lap	Vertical down	130	19	12
1/8	Lap	Overhead	120	19	8

\* For zinc coating on both sides, 1-1/4 to 2-1/2 oz per sq ft; CO<sub>2</sub> gas 40 cfh; 0.040-in.-diameter electrode.

† 1/32 to 1/16-in. gap.

**Gas Metal-Arc Welding:** Gas metal-arc welding can be used on galvanized sheet and plate. Short-circuiting transfer is used on sheet; typical welding conditions are shown in Table 13-1. Sheet with zinc coatings thicker than those covered in the table require higher currents, lower speeds, or both. A tendency for burnthrough may require a slight side-to-side oscillation of the torch.

The advantages reported for a shielding-gas mixture of 80% argon and 20% CO<sub>2</sub> for welding uncoated steel is not apparent for galvanized steel.

However, there is no disadvantage in using the argon-CO<sub>2</sub> mixture, except for the higher cost.

The same problems of porosity, cracking, and spatter encountered with shielded metal-arc welding are present with gas metal-arc welding, and the same corrective measures are used. With proper adjustment of the power source, the spatter can be reduced but not eliminated.

**Carbon-Arc Welding:** Galvanized sheet can be welded with a carbon arc and silicon-bronze filler rod. This process is suitable for sheet-metal duct work, since the weld is satisfactory and there is little distortion. Furthermore, very little of the galvanizing is disturbed.

Carbon electrodes must have a long taper for welding on galvanized metal. A standard carbon is ground with a gradual taper to a sharp point. To maintain this taper, the carbon is held in the electrode holder from 1-1/2 to 2 in. away from the point.

The current range is 50 amp for 16 gage, to 20 amperes for 22 gage. Use a 5/32-in. carbon with 3/32-in. filler rod on 16 and 18 gage. Use 1/4-in. carbon with a 1/16-in. filler rod on 20 and 22 gage. Filler metal is a silicon-bronze AWS A5.7, Class RCuSi-A rod, which contains 3 to 4% silicon.

Lay the filler rod on the seam with its end at an angle of about 10° from the work, as illustrated in Fig. 13-1. Play the arc on the filler metal. A small pool of molten metal forms. The rod is then fed in and melted at the leading edge of the molten pool as the arc is advanced along the seam. The arc is always on the molten pool and never on the galvanized sheet. This process is used on butt, fillet, lap and offset-lap joints, the latter two being the easiest to make.

Carbon-arc welding with silicon-bronze rod can also be used with uncoated sheet steel. The process produces less distortion than manual metal-arc welding and permits bridging a larger gap.

A tin coating on the silicon-bronze filler rod gives a welded joint with improved corrosion resistance. When the tin-coated rod is melted, the tin

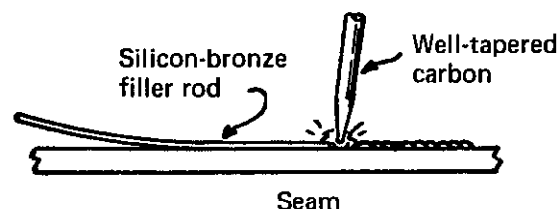


Fig. 13-1. Method of welding galvanized sheet with the carbon arc and a silicon-bronze filler rod.

flows over the heat-affected zone, producing a coating of zinc-tin alloy that enhances corrosion resistance.

### WELDING INGOT IRON

Ingot iron is 99.9% pure iron. It is made by methods commonly used for making steel, but is more highly refined than steel. The carbon content may be as low as 0.013%, but the iron oxide content is higher than that of steel. A typical analysis is:

C . . . . .	0.015%
Mn . . . . .	0.035%
S . . . . .	0.015%
Si . . . . .	0.003%

with copper sometimes added for additional corrosion resistance.

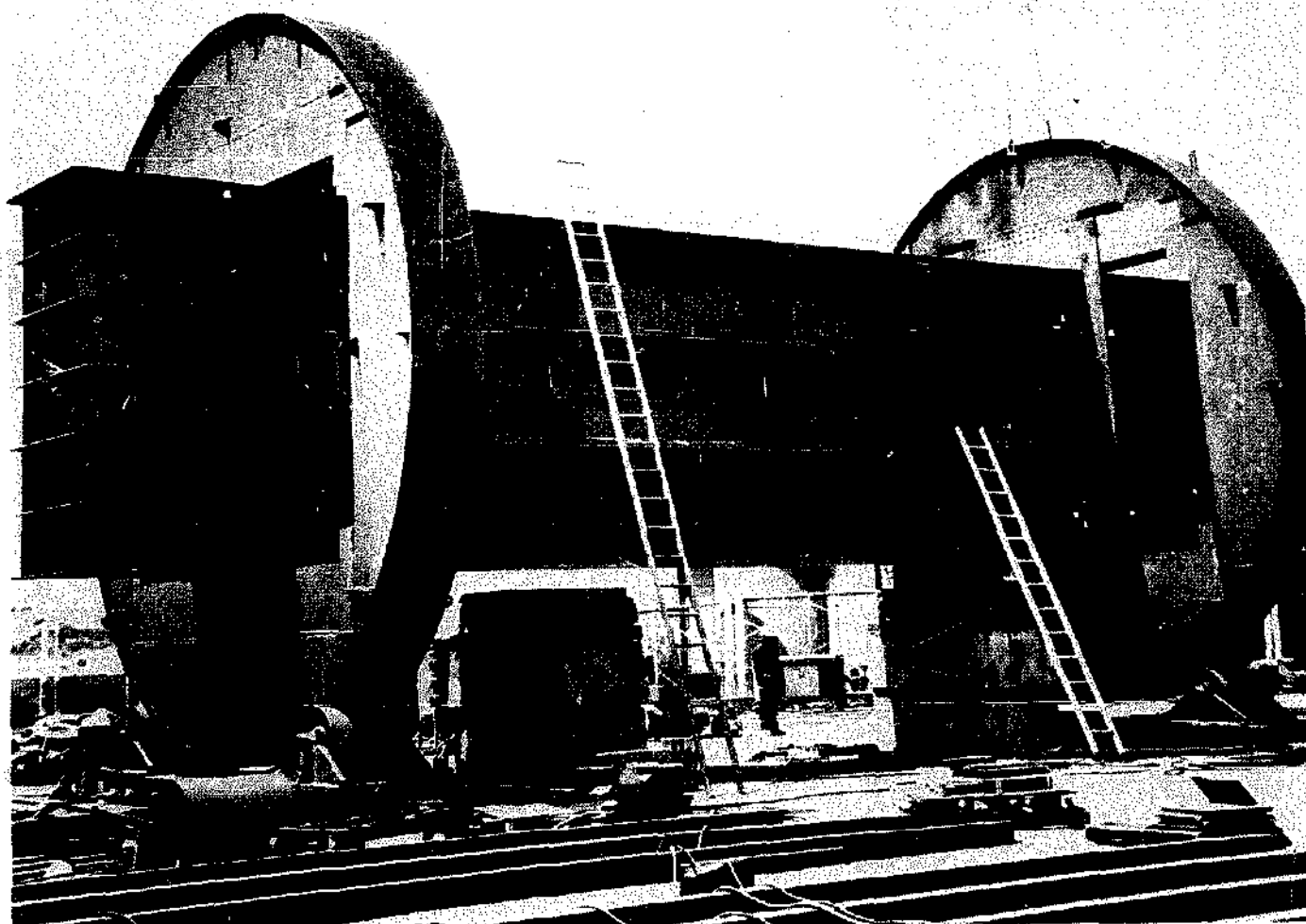
Typical mechanical properties are:

Tensile Strength (psi) . . . . .	45,000
Yield Strength (psi) . . . . .	18,000
Elongation (% in 2 in.) . . . . .	47%

Because of its good forming properties and increased resistance to corrosion over mild steel, ingot iron is used for culverts, corrugated building sheets, hot water tanks, vitreous-enameled ware, and for special applications where the magnetic properties of pure iron are desired.

Ingot iron is readily weldable with the commonly used welding processes. It is nonhardenable because of low carbon content, but its high oxide content causes a tendency for porosity. For manual welding, E6010 or E6011 electrodes are used on light sections, and E6027 electrodes are used on heavy sections except where the work is to be vitreous-enameled. For vitreous-enameled work, low-hydrogen electrodes must be used, or the work must be stress relieved after welding.

Ingot iron can be welded with submerged-arc, self-shielded flux-cored arc, and gas metal-arc processes. However, the current must be slightly lower and travel speed must be slower than that used for steel. Also, electrodes must have more than the usual amount of deoxidizers.



Huge fixture used to position bridge columns for flat position welding.



Figure 13.2-4 Pipe stored in Japan intended for the Prudhoe Bay-Valdez pipe line being stored in Valdez.



Close-up of the above pipe showing the end protector. Pipe is manufactured to API specification X65 (vanadium treated), 48-in. diameter, 0.462-in. wall thickness, 40 ft. 1 in. long, net weight 10,090 lb., tested at 1,190 psi.

# Welding Steel Pipe

Pipe welding is a specialized art. It differs so much from plate welding that operators must pass separate tests on pipe techniques to qualify as pipe weldors. Much of the skill required in plate welding, however, is applicable to pipe techniques. This section covers techniques, electrodes, procedures, and qualifications for welding cross-country lines and in-plant systems.

## PIPE STEELS AND ELECTRODES

The American Petroleum Institute (API) publishes a standard for welding pipe, which includes procedures, qualification of operators, joint design, testing, and inspection. The standard also includes specifications for the types of pipe steel used for cross-country lines.

The most common steels used for cross-country pipelines are the API 5LX series. The "5L" indicates line pipe, the "X" indicates high-test line pipe, and two additional numbers indicate minimum yield strength in thousands of pounds per square inch. For example, 5LX65 is high-test line pipe with a 65,000-psi minimum yield strength. Table 13-2 lists chemical requirements and Table 13-3 mechanical-property requirements of this series.

For complete specifications on pipe and pipe fittings, see *API Specification for Line Pipe* (API Standard 5L) and *API Specification for High-Test Line Pipe* (API Standard 5LX). Standards (see Section 11.3) for procedure and operator qualification,

joint preparation, and weld inspection are included in *Standard for Welding Pipe Lines and Related Facilities* (API Standard 1104). These standards are available from: American Petroleum Institute, 1271 Avenue of the Americas, New York, N.Y. 10020.

Weld cracking may occur in some of the pipe steels, particularly when the carbon and manganese contents are near the maximum allowable amounts and when the weather is cold. The X56, X60, and X65 steels may be treated with small amounts of alloying elements to increase their yield strength. With no top limit on tensile strength, this property can, and sometimes does, exceed 100,000 psi. Special techniques are required to prevent cracking in these steels. Some pipe steels have a silicon content up to 0.35%, which tends to produce pinholes unless special pipe electrodes are used.

**TABLE 13-3. Mechanical Property Requirements of 5LX Series High-Test Line Pipe**

API Grade	Min. Yield Strength (1000 psi)	Min. Tensile Strength (1000 psi)
X42	42	60
X46	46	63
X52	52	66*
X56	56	71*
X60	60	75*
X65	65	77*

\* Tensile-strength requirements for pipe of 20-in. OD and larger, with 0.375-in. or less wall, are 3000 to 6000 psi higher.

**TABLE 13-2. Chemical Requirements (ladle analysis) For Welded 5LX Series High-Test Line Pipe**

API Grade	Manufacturing Process	Composition, Max (%)			
		C	Mn	P	S
X42	Nonexpanded	0.28	1.25	0.04	0.05
X46, X52	Nonexpanded	0.30	1.35	0.04	0.05
X42, X46, X52	Cold-expanded	0.28	1.25	0.04	0.05
X56*, X60*	Nonexp. or cold-exp.	0.26	1.35	0.04	0.05
X65*	Nonexp. or cold-exp.	0.26	1.40	0.04	0.05

\* These steels may also contain small amounts of columbium, vanadium, or titanium. Other analyses may be furnished by agreement between purchaser and producer. For good weldability, carbon and alloy content should be as low as practical.

**TABLE 13-4. Typical Mechanical Properties of Deposited Weld Metal. Pipe-Welding Electrodes of the EXX10 Classes**

	E7010-A1	E7010-G for Pipe	High-Yield Pipe Electrode
<b>As-Welded</b>			
Tensile Strength (psi)	75,000	75,000	85,000
Yield Strength (psi)	68,000	61,000	75,000
Elongation (% in 2 in.)	26	25	22
Charpy V Notch (ft-lb @ 70°F)	68	68	55
<b>Stress-Relieved 1150°F</b>			
Tensile Strength (psi)	75,000	72,000	85,000
Yield Strength (psi)	62,000	62,000	80,000
Elongation (% in 2 in.)	33	24	26
Charpy V Notch (ft-lb @ 70°F)	64	68	68

Pipe and tubing for power plants, boiler tubes, and refinery still tubes are usually specified to an ASTM standard. These specifications cover both mild steels and alloy steels for many types of service. Some of the ASTM pipe and tubing steels are listed in Table 6-13 along with recommended electrodes. These electrodes will provide the mechanical properties that meet most industrial code requirements. However, where specific codes apply, check the specification for electrode requirements or recommendations.

Since pipe welding is a specialized application, electrodes have been designed especially for vertical-down welding of pipe joints. These special electrodes are in the EXX10 class, but they may or may not have an AWS classification designation; the electrode supplier must be consulted for the proper product.

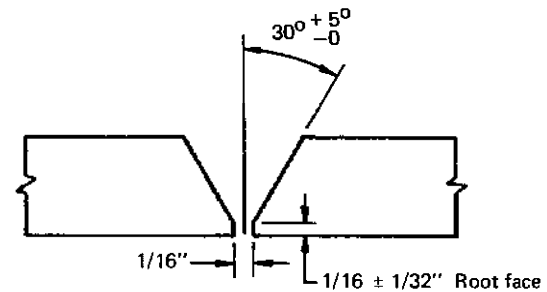
Pipe electrodes have several unique operating properties: 1. They produce a steady, concentrated arc, which forms a continuous bead on the inside of the pipe when the first pass is made. 2. They produce a thin covering of slag, which promotes good wetting to the sides of the groove but does not run into the crater and interfere with the arc. 3. They have a minimum tendency to produce pinholes.

The special pipe electrodes of the EXX10 class (Table 13-4) are used on pipe up to 5LX65; low-hydrogen electrodes (Table 6-16) are recommended for pipe with higher specified yield strength and for alloy pipe.

Generally, pipe with a wall thickness of 1/2 in. or less (which includes most cross-country lines) is welded vertical-down with special EXX10 electrodes. Pipe with heavier walls is welded with low-hydrogen electrodes.

## VERTICAL-DOWN TECHNIQUES

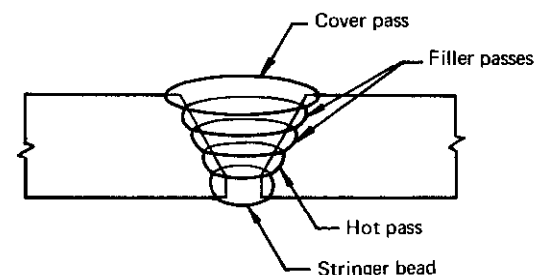
**Joint Preparation:** Typical joint design and tolerances for a 30-in. 5LX pipe are shown in Fig. 13-2. Standard practice is to use internal line-up clamps on 16-in. and larger pipe. Often this does not produce a uniform spacing and, since hammering with a sledge is not recommended, the weldor must compensate for the poor fits that usually occur.



**Fig. 13-2.** Standard Joint design for a 30-in.-diameter 5LX pipe.

**Stringer Bead:** The first pass in the bottom of the groove — the stringer bead (Fig. 13-3) — is made by two weldors (more on large-diameter pipe) working on opposite sides of the pipe. The welds are started at the top, and the electrodes are dragged downhill to the bottom of the pipe. Too narrow a gap, too low a welding current, or too large a root face can cause insufficient penetration or lack of fusion. Too high a current, too wide a gap, or too little root face can cause burnthrough (called “windows”), globular metal deposits on the inside of the pipe, external undercut (called “wagon tracks”), or internal undercut that can be repaired only from the inside of the pipe. Repairs from the inside of the pipe are, of course, difficult and are impossible on small-diameter pipe.

**Hot Pass:** The stringer should be cleaned with a power brush. If special pipe-welding electrode is not used, the stringer pass may be very convex and require grinding to remove the slag and to prepare the surface for the hot pass (Fig. 13-3). The hot pass should be applied with sufficient current to melt out



**Fig. 13-3.** Typical weld cross section on a 3/8-in.-wall pipe.

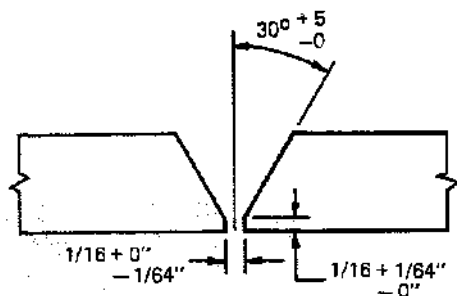


Fig. 13-4. Preferred joint design for X60 and X65 pipe.

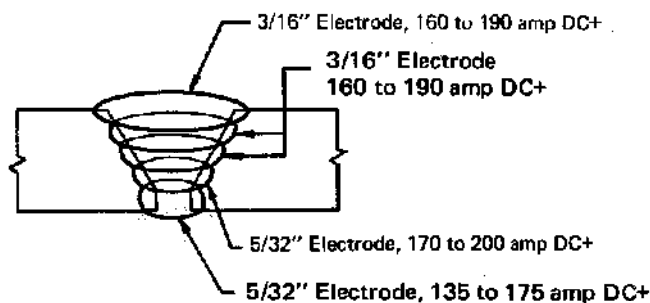


Fig. 13-5. Procedures for vertical-down pipe welding.

all "wagon tracks" and any remaining slag. It should be applied as soon as possible after the stringer is completed — within five minutes.

**Filler Passes:** A slight weave — only enough to obtain fusion at the sides of the groove — is used to apply the filler passes. Filler passes may fill the groove flush or almost flush at the top and bottom of the pipe, but more weld metal is usually required at the 2 to 5 o'clock positions. These lengths of groove are made flush with short filler passes called "stripper beads."

**Cover Pass:** The cover pass should be 1/32 to 1/16 in. higher than the pipe surface, and it should overlap the groove about 1/16 in. on each side, as illustrated in Fig. 13-3.

**Preventing Cracks:** Many factors contribute to weld cracking, but the primary causes are the chemistry, wall thickness, and the temperature of the pipe. Pipeline techniques recommended to prevent cracking are:

- Make the stringer as large as practical.
- Do not remove the line-up clamp until the stringer is completed.
- Make the hot pass as soon as possible after the stringer bead — within five minutes.
- Preheat if the pipe is less than 40°F. Proper preheat temperature depends on the chemistry of the pipe and wall thickness.

For X60 and X65 pipe, additional precautions and more stringent preparation are required:

- Joint preparation and tolerances should be as shown in Fig. 13-4.
- Use only electrodes of the EXX10 class designed for X60 and X65 pipe.
- Preheat to 300°F if the pipe temperature is less than 70°F.
- Always weld the stringer pass and hot pass with two (or more) men working on opposite sides of the pipe.

**Vertical-Down Procedures:** The procedures illustrated by the accompanying figures and tables are for EXX10-type electrode, designed for welding circumferential pipe joints vertical-down. Joint preparation is shown in Fig. 13-2, and current and electrode size are given in Fig. 13-5.

Table 13-5 shows the number of passes required for various wall thicknesses. This may vary with different operators, especially on thicker walls. One or two stripper beads may be required at the 2 to 5 o'clock location.

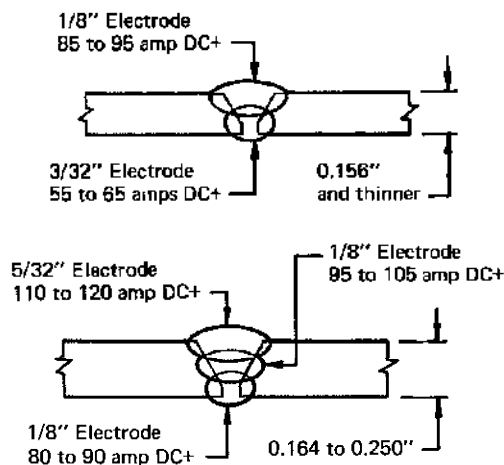


Fig. 13-6. Procedures for vertical-down welding on thin-wall pipe.

Table 13-6 shows the amount of electrode required per joint. Amounts are based on 4-in. stub lengths — about normal for cross-country pipeline welding.

TABLE 13-5. Passes Required for Vertical-Down Welding of Pipe

Wall Thickness of Pipe (in.)	Number of Passes
1/4	3
5/16	4
3/8	5
1/2	7



TABLE 13-6. Type EXX10 Electrode Consumption for Vertical-Down Welding of Pipe

Pipe Diam. (in.)	Wall Thickness of Pipe (in.)											
	1/4			5/16			3/8			1/2		
	Electrode Required* (lb/joint)											
	5/32	3/16	Total	5/32	3/16	Total	5/32	3/16	Total	5/32	5/16	Total
6	0.47	0.24	0.71	0.47	0.47	0.94	0.47	0.75	1.2	.....	.....	.....
8	0.63	0.32	0.95	0.63	0.63	1.3	0.63	1.0	1.6	0.63	2.0	2.6
10	0.79	0.40	1.2	0.78	0.78	1.6	0.78	1.1	1.9	0.79	2.4	3.2
12	0.95	0.47	1.4	0.95	0.95	1.9	0.95	1.5	2.5	0.95	3.0	4.0
14	1.1	0.55	1.7	1.1	1.1	2.2	1.1	1.8	2.9	1.1	3.5	4.6
16	1.2	0.63	1.8	1.2	1.3	2.5	1.3	2.0	3.3	1.2	4.0	5.2
18	1.4	0.70	2.1	1.4	1.4	2.8	1.4	2.3	3.7	1.4	4.5	5.9
20	1.5	0.76	2.3	1.5	1.6	3.1	1.6	2.4	4.0	1.5	4.8	6.3
22	1.7	0.90	2.6	1.7	1.8	3.5	1.7	2.9	4.6	1.7	5.5	7.2
24	1.9	0.94	2.8	1.9	1.9	3.8	1.9	3.0	4.9	1.9	6.0	7.9
26	2.0	1.1	3.1	2.0	2.1	4.1	2.0	3.3	5.3	2.0	6.5	8.5
28	2.2	1.1	3.3	2.2	2.2	4.4	2.2	3.5	5.7	2.2	7.0	9.2
30	2.3	1.2	3.5	2.3	2.4	4.7	2.3	3.8	6.1	2.4	7.5	9.9
32	2.5	1.3	3.8	2.5	2.5	5.0	2.5	4.1	6.6	2.5	8.0	10.5
34	2.7	1.3	4.0	2.7	2.7	5.4	2.7	4.3	7.0	2.7	8.5	11.2
36	2.8	1.4	4.2	2.8	2.8	5.6	2.8	4.5	7.3	2.8	9.0	11.8

\* Values given include 4-in. stubs.

**Thin-Wall Pipe Procedures:** Electrodes and procedures for thin-wall pipe are much the same as for cross-country pipe. One variation is the occasional use of negative polarity. Where a wide gap causes excessive burnthrough, negative polarity is used on the first pass.

Welding procedures for butt joints in thin-wall pipe are shown in Fig. 13-6. Table 13-7 shows the amount of electrode required per joint. Values are based on 4-in. stub lengths, normal for this type of welding.

Another type of connection used on thin-wall pipe is the bell-and-spigot joint (Fig. 13-7). Procedures for this type of joint are given in Table 13-8, and the amount of electrode required per joint is given in Table 13-9.

## VERTICAL-UP TECHNIQUES

Vertical-up welding requires fewer beads than vertical-down and therefore less cleaning. The time saved results in an advantage for vertical-up welding on wall thicknesses of 1/2 in. and thicker.

Vertical-up welding is usually used for in-plant welding of pipe, such as in power stations and refineries; vertical-down welding is used on cross-country pipelines.

**Joint Preparation Without Backup Ring:** Recommended joint design is shown in Fig. 13-8. The 1/8-in. gap must be maintained accurately all around

the joint and tack welded in at least four places on 6-in.-diameter and larger pipe.

**Welding:** All passes are made starting at the bottom and moving upward. Usually an E6010 or E7010 electrode is used for the first pass, except on alloy pipe, where an alloy electrode must be used. If low-hydrogen electrodes are used, such welding (without backup ring) requires an especially high degree of skill.

After the first pass, the bead should be cleaned thoroughly, and any bumps or imperfections should be ground before additional passes are placed. The finish pass should be about 1/16 in. higher than the pipe and should overlap the original groove by 1/16 to 1/8 in.

**Procedures:** The procedures shown in Fig. 13-9 are for vertical-up welding of circumferential pipe joints. The first pass is an EXX10-type electrode

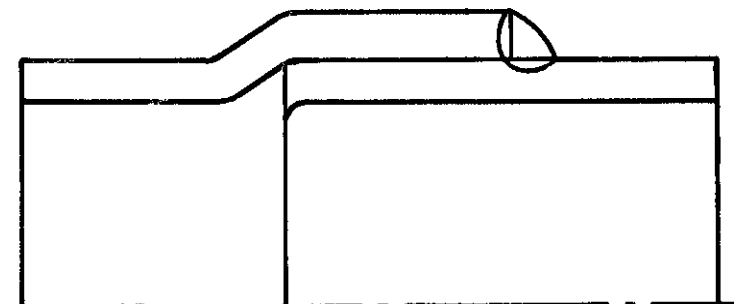


Fig. 13-7. Bell-and-spigot joint for thin-wall pipe.

**TABLE 13-7. Type EXX10 Electrode Consumption for Butt Welds in Thin-Wall Pipe (Vertical-Down)**

Pipe Diam. (in.)	Wall Thickness of Pipe (in.)								
	1/8			3/16			1/4		
	Electrode Required* (lb/joint)								
	3/32	1/8	Total	1/8	5/32	Total	1/8	5/32	Total
4	0.071	0.092	0.163	0.196	0.146	0.342	0.232	0.177	0.409
4-1/2	0.080	0.102	0.182	0.221	0.164	0.385	0.261	0.199	0.460
6	0.106	0.138	0.244	0.294	0.219	0.513	0.348	0.268	0.616
6-5/8	0.118	0.152	0.270	0.325	0.242	0.567	0.384	0.293	0.677
8	0.142	0.184	0.326	0.392	0.292	0.684	0.464	0.354	0.818
8-5/8	0.153	0.198	0.351	0.422	0.314	0.736	0.500	0.382	0.882
10	0.178	0.230	0.408	0.490	0.365	0.855	0.581	0.442	1.023
10-3/4	0.191	0.247	0.438	0.526	0.392	0.918	0.623	0.475	1.098
12-3/4	0.223	0.289	0.512	0.615	0.458	1.073	0.727	0.552	1.279
14	0.248	0.323	0.571	0.686	0.520	1.206	0.812	0.615	1.427
16	0.284	0.369	0.653	0.784	0.593	1.377	0.929	0.703	1.632
20	0.355	0.461	0.816	0.980	0.741	1.721	1.161	0.879	2.040
24	.....	.....	.....	1.177	0.890	2.067	1.393	1.062	2.455
28	.....	.....	.....	1.372	1.040	2.412	1.624	1.230	2.854
32	.....	.....	.....	1.568	1.186	2.754	1.858	1.406	3.264
36	.....	.....	.....	1.764	1.338	3.102	2.089	1.582	3.671

\* Values given include 4-in. stubs.

**TABLE 13-8. Type EXX10 Procedures for Bell-and-Spigot Joints in Thin-Wall Pipe**

Wall Thickness of Pipe (in.)	Electrode Size (in.)	Current DC + (amp)
0.075	1/8	80 to 100
0.090	1/8	80 to 100
0.105	5/32	120 to 130
0.125	5/32	120 to 130
0.135	5/32	130 to 140

**TABLE 13-9. Type EXX10 Electrode Consumption For Bell-and Spigot Joints in Thin-Wall Pipe**

Pipe Diam. (in.)	Electrode Required (lb/joint)				
	Wall Thickness of Pipe (in.)				
	0.075	0.090	0.105	0.125	0.135
4	0.041	0.053	0.078	0.095	0.100
4-1/2	0.046	0.059	0.088	0.107	0.113
6	0.062	0.078	0.114	0.142	0.150
6-5/8	0.068	0.088	0.129	0.157	0.166
8	0.082	0.106	0.156	0.190	0.200
8-5/8	0.088	0.114	0.168	0.205	0.215
10	0.098	0.132	0.195	0.238	0.247
10-3/4	0.108	0.142	0.209	0.253	0.264
12-3/4	0.127	0.168	0.245	0.298	0.314
14	0.136	0.185	0.271	0.330	0.345
16	0.155	0.211	0.310	0.377	0.394
20	0.194	0.264	0.387	0.471	0.494

and, for subsequent passes, procedure are given for either EXX10 or EXX18. Table 13-10 gives the approximate number of passes required for different wall thicknesses. This will vary with different operators.

Table 13-11 shows the electrode consumption per joint for vertical-up welding of pipe. Amounts are based on the use of EXX18 electrode and the joint design shown in Fig. 13-8. If the gap is changed, amounts must be revised accordingly.

**Joint Preparation With a Backup Ring:** Recommended joint design for vertical-up welding with backup ring is shown in Figure 13-10. Gap distance should match the outside diameter of the electrode covering.

**TABLE 13-10. Passes Required for Vertical-Up Welding of Pipe**

Wall Thickness of Pipe (in.)	Number of Passes
1/4	2
5/16	2
3/8	3
1/2	3
5/8	4
3/4	6
1	7

TABLE 13-11. Type EXX18 Electrode Consumption for Vertical-Up Welding of Pipe

Pipe Diam. (in.)	Wall Thickness of Pipe (in.)														
	3/8			1/2			5/8			3/4			1		
	Electrode Required* (lb/joint)														
	3/32	1/8	Total	3/32	1/8	Total	3/32	1/8	Total	3/32	1/8 & 5/32	Total	3/32	1/8 & 5/32	Total
6	0.51	1.34	1.85	0.51	2.31	2.82	....	....	....	....	....	....	....	....	....
8	0.7	1.8	2.5	0.7	3.1	3.8	0.7	4.7	5.4	....	....	....	....	....	....
12	1.0	2.7	3.7	1.0	4.7	5.7	1.0	7.1	8.1	1.0	9.9	10.9	1.0	16.7	17.7
16	1.4	3.6	5.0	1.4	6.1	7.5	1.4	9.8	11.2	1.4	13.1	14.5	1.4	22.1	23.5
20	1.7	4.5	6.2	1.7	7.7	9.4	1.7	11.7	13.4	1.7	16.4	18.1	1.7	27.6	29.3
24	2.0	5.4	7.4	2.0	9.3	11.3	2.0	14.2	16.2	2.0	19.8	21.8	2.0	33.4	35.4
28	2.4	6.2	8.6	2.4	10.8	13.2	2.4	16.5	18.9	2.4	23.0	25.4	2.4	38.8	41.2
32	2.7	7.2	9.9	2.7	12.4	15.1	2.7	19.0	21.7	2.7	26.5	29.2	2.7	44.6	47.2
36	3.1	8.0	11.1	3.1	13.9	17.0	3.1	21.6	24.7	3.1	29.6	32.7	3.1	49.9	53.0
40	3.4	8.9	12.3	3.4	15.4	18.8	3.4	23.5	26.9	3.4	32.8	36.2	3.4	55.3	58.7
48	4.1	14.7	18.8	4.1	18.5	22.6	4.1	28.3	32.4	4.1	39.5	43.6	4.1	66.6	70.7
60	....	....	....	5.1	23.2	28.3	5.1	45.4	50.5	5.1	49.4	54.5	5.1	83.2	88.3

\* Values given include 4-in. stubs.

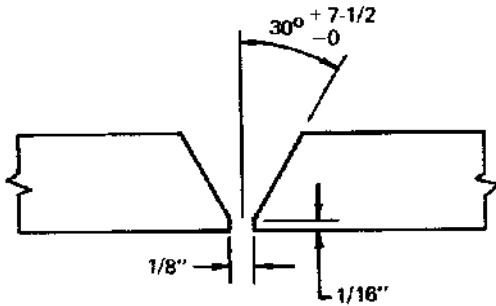


Fig. 13-8. Joint design for vertical-up welding on pipe without a backup ring.

**Welding:** The first pass can be welded with either EXX10 or EXX18 electrode. The root pass must penetrate both lips of the pipe and the backup ring. Any unfused area at the bottom of the root pass is an objectionable defect. Since the gap is wider than that used for welding without a backup ring, the groove is also wider, and split layers are usually necessary after about the fifth layer.

**Procedures:** Procedures for welding with a backup ring are shown in Figure 13-11. Approximate numbers of passes required are shown in Table 13-12.

Second and subsequent passes:  
5/32" EXX10 115 to 125 amp DC+  
or  
1/8" EXX18 115 to 135 amp DC+

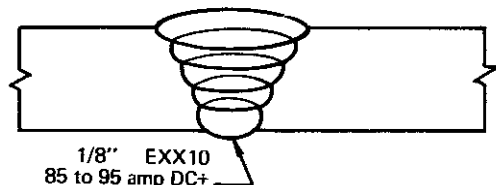


Fig. 13-9. Procedures for vertical-up pipe welding without a backup ring.

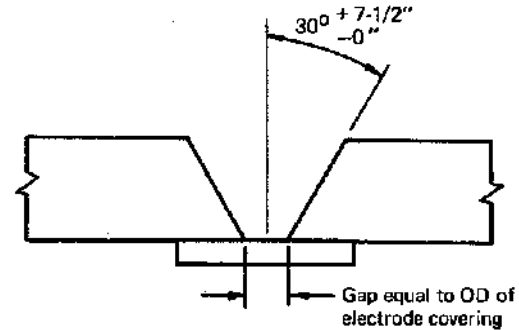


Fig. 13-10. Joint design for vertical-up welding on pipe with backup ring.

Passes 1 and 2: 3/32" EXX18 85 to 105 amp DC+  
Passes 3 through 9: 1/8" EXX18 115 to 135 amp DC+  
Subsequent passes: 5/32" EXX18 140 to 160 amp DC+

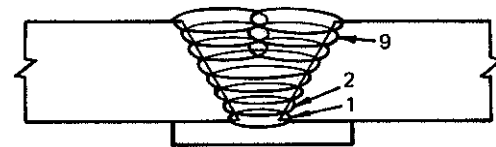


Fig. 13-11. Procedures for vertical-up pipe welding with backup ring.

### HORIZONTAL TECHNIQUES

Piping in refineries and plants often requires joints with the axis of the pipe vertical. These horizontal joints require different techniques and procedures than vertical joints, but the designs of horizontal joints are the same as those for vertical-up welding — either with or without the backup ring.

**Welding:** Without a backup ring, the first pass is usually made with EXX10 electrode, and the weld is completed with either EXX10 or EXX18. With a backup ring, the entire weld can be made with EXX18 electrode.

**TABLE 13-12. Passes Required for Vertical-Up Welding of Pipe Using Backup Ring**

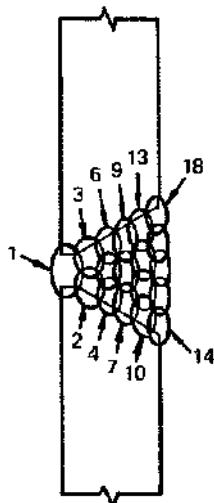
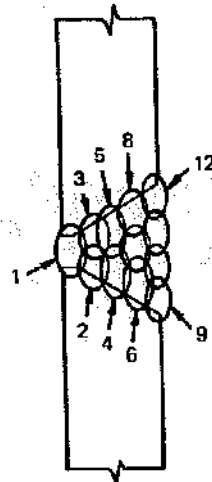
Wall Thickness of Pipe (in.)	Number of Passes
3/8	3
1/2	4
5/8	5
3/4	7
1	10

**TABLE 13-13. Procedures for Double-Ending Pipe (manual stringer bead, finish with submerged-arc)**

Wall Thickness (in.)	All*	1/4	3/8	1/2
Pass Number	1	2	3	2 3-5
Electrode Size	5/32	1/4	1/8	1/8
Current (amp) DC+	160 - 180	350	400	450 600
Volts	.....	27	31	29 33
Arc Speed (in./min)	13 - 16	26	29	26 24
Electrode Req'd (lb/ft)	0.090	0.127	0.240	0.513
Flux Req'd (lb/ft)	.....	0.10 - 0.14	0.19 - 0.25	0.40 - 0.54
Total Time (hr/ft)	0.0138	0.0146	0.0160	0.0326

\*Manual stringer bead is used for all wall thicknesses. For manual electrode, see Fig. 13-5. Add manual time to submerged-arc time to get total time.

**Fig. 13-12.** Typical cross section of a horizontal butt weld on pipe, showing bead placement.



**Fig. 13-13.** Procedures for a horizontal butt weld on pipe, no-backup ring, EXX10-type electrode.

First pass: 1/8" EXX10 80 to 110 amp DC+  
 Subsequent passes: 5/32" EXX10 120 to 150 amp DC+  
 or  
 1/8" EXX18 115 to 135 amp DC+

After the first pass, the next bead is placed on the lower side of the groove, penetrating both the root pass and the lower pipe member. The following bead is placed immediately above the second bead, so it penetrates both the second bead and the upper pipe member. Similarly, each layer is started at the lower side of the groove and built upward, as shown in Fig. 13-12.

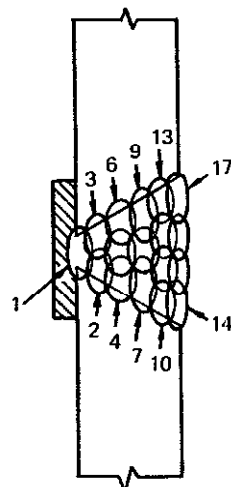
**Horizontal Procedures:** Figure 13-13 shows procedures, using EXX10 electrodes and a combination of EXX10 and EXX18. Figure 13-14 shows procedures using EXX18 electrodes exclusively.

**DOUBLE-ENDING**

Double-ending is the welding of two or more lengths of pipe into one longer length. This is done frequently by submerged-arc automatic welding or a combination of submerged-arc and stick-electrode welding. It is practical and economical where the terrain permits hauling the double lengths of pipe to the field site.

One method of double-ending pipe is to assemble two lengths of pipe on a set of power-driven rolls. The joint is lined up with an internal line-up clamp, and the first bead is made manually as described under vertical-down techniques. The second and third beads are made with submerged-arc while the pipe is rotated under an automatic welding

**Fig. 13-14.** Procedures for a horizontal butt weld on pipe, with backup ring, EXX18 electrode.



Passes 1 through 3: 3/32" EXX18 85 to 105 amp DC+  
 Passes 4 through 9: 1/8" EXX18 115 to 135 amp DC+  
 Subsequent passes: 5/32" EXX18 140 to 160 amp DC+

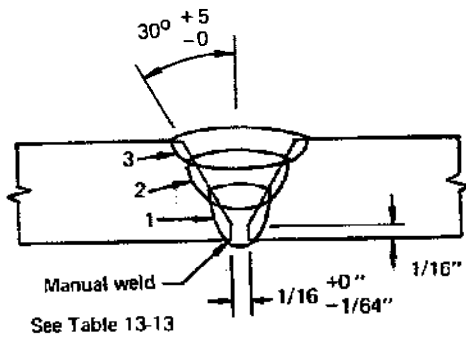


Fig. 13-15. Joint design and sequence for double-ending pipe with submerged-arc (stick-electrode stringer bead).

TABLE 13-14. Submerged-Arc Procedures for Double-Ending Pipe

Wall Thickness (in.)	1/4		3/8		1/2	
Root Face (in.)	5/32		1/4		1/4	
Electrode Size	1/8 or 5/32		1/8 or 5/32		1/8 or 5/32	
Pass Number	1, 2	3	1 - 3	4	1 - 4	5
Current (amp) DC+	575	650	700	700	700	700
Volts	32	31	34	33	34	34
Arc Speed (in./min)	60	60	55	55	50	40
Electrode Req'd (lb/ft)	0.167		0.277		0.422	
Flux Req'd (lb/ft)	0.15 - 0.20		0.25 - 0.34		0.38 - 0.50	
Total Time (hr/ft)	0.0100		0.0145		0.0210	

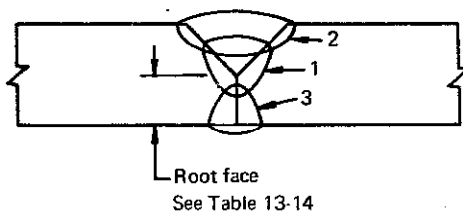


Fig. 13-16. Joint design and welding sequence for double-ending pipe with automatic submerged-arc welding.

head. The joint preparation shown in Fig. 13-15 and the submerged-arc procedures given in Table 13-13 are recommended.

Another method for double-ending pipe is to make all passes automatically. This method requires a joint preparation, as shown in Fig. 13-16. First, the two submerged-arc beads are made on the outside while the pipe is rotated under the automatic head. The third bead is made from the inside of the pipe. The automatic head is mounted at the end of a long boom that positions the head over the seam through the open end of the pipe. Procedures for the automatic welding are given in Table 13-14.

### API PROCEDURE AND QUALIFICATION REQUIREMENTS

Procedures and operators for welding cross-country pipe lines are qualified by API Standard

1104. For complete details, the standard should be consulted. The following is a brief resume of the tests and requirements, which are elaborated on with more detail in Section 11.3.

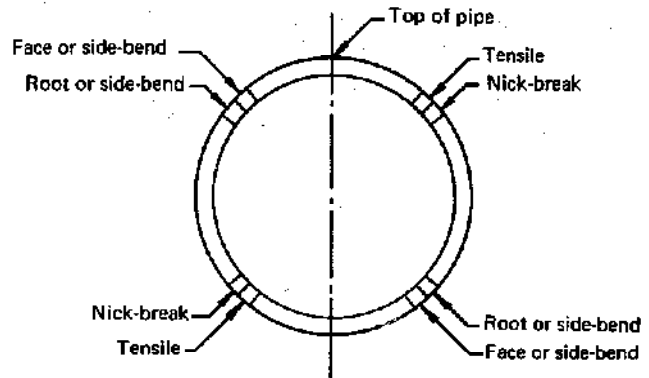


Fig. 13-17. Location of test specimens on pipe from 4-1/2 to 12-3/4 in. in diameter for API qualification tests.

**Location of Specimens:** Test specimens are cut from the pipe as shown in Fig. 13-17. In the field, the specimens are torch-cut and ground to size. In the shop, specimens are machined rather than ground; machining is the preferred method.

**Tensile Requirements:** Tensile strength of the weld and the fusion zone must be equal to or greater than the minimum specified tensile strength of the pipe. If the specimen breaks in the plate, the tensile strength must be at least 95% of the minimum specified for the plate.

It is not uncommon for a satisfactory test to break in the weld. This is because there are no maximum strengths specified for the plate, and the tensile strength of the plate may be considerably higher than that of the weld metal.

**Nick-Break Test:** This test is intended to expose any slag inclusions, gas pockets, or lack of fusion. The specimen is notched with a hack saw, and then broken to expose the interior of the weld. The exposed surfaces must show complete penetration and fusion. There must be no more than six gas pockets per square inch of surface area and no gas pocket larger than 1/16-in. Slag inclusions must not be more than 1/32-in. deep or 1/8-in. (or one-half the wall thickness) in length, and there shall be at least 1/2 in. of sound metal between inclusions.

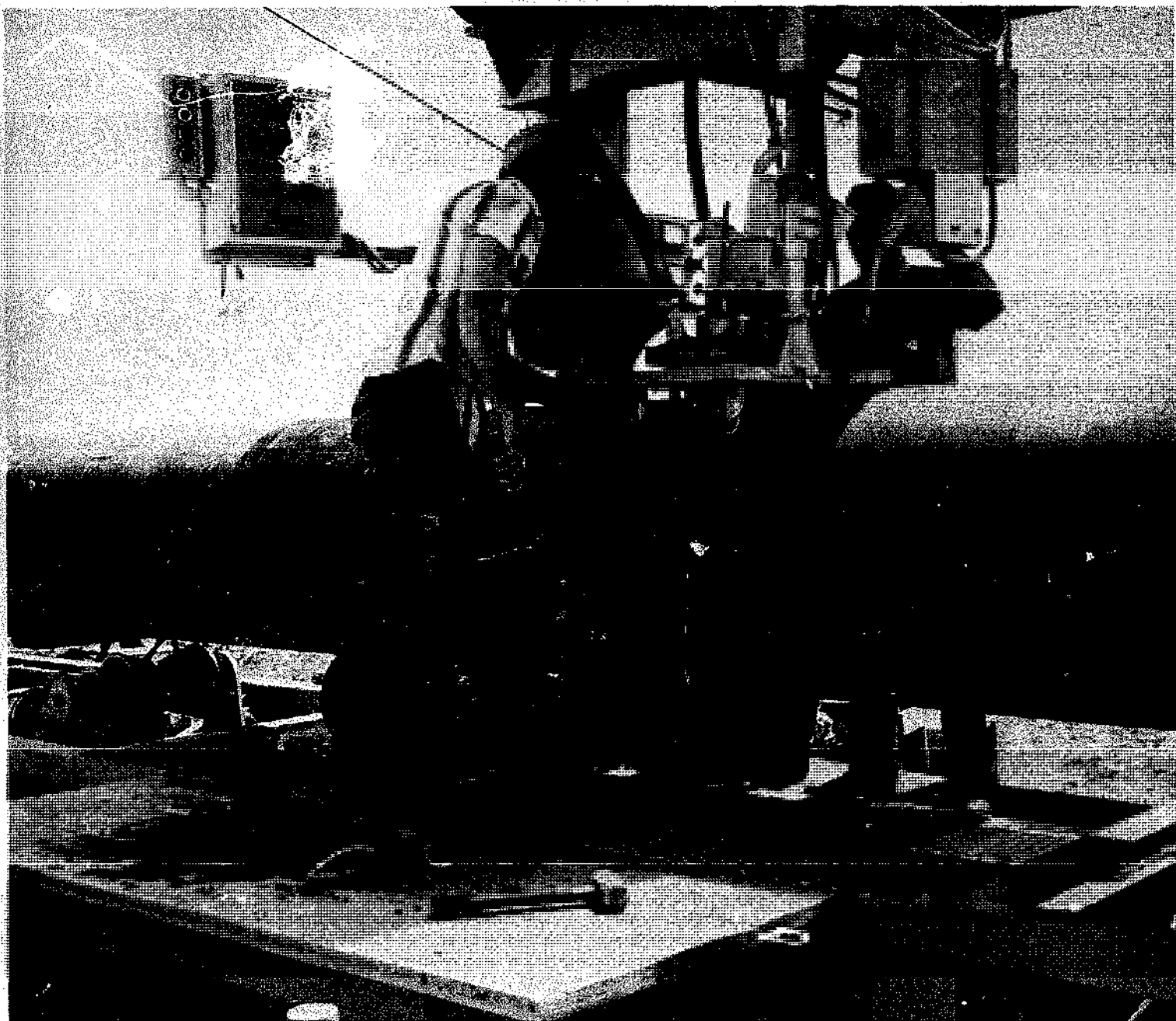
**Bend Tests:** Specimens are prepared for bend tests by removing all weld reinforcement from both sides. Bending is done in a fixture as specified in API Standard 1104. The weld is unacceptable if the test produces a crack or defect with the largest dimen-

sion greater than 1/8-in. or one-half the wall thickness of the pipe, whichever is smaller. Cracks at the edges of the specimen that are less than 1/4 in. in the greatest dimension can be disregarded.

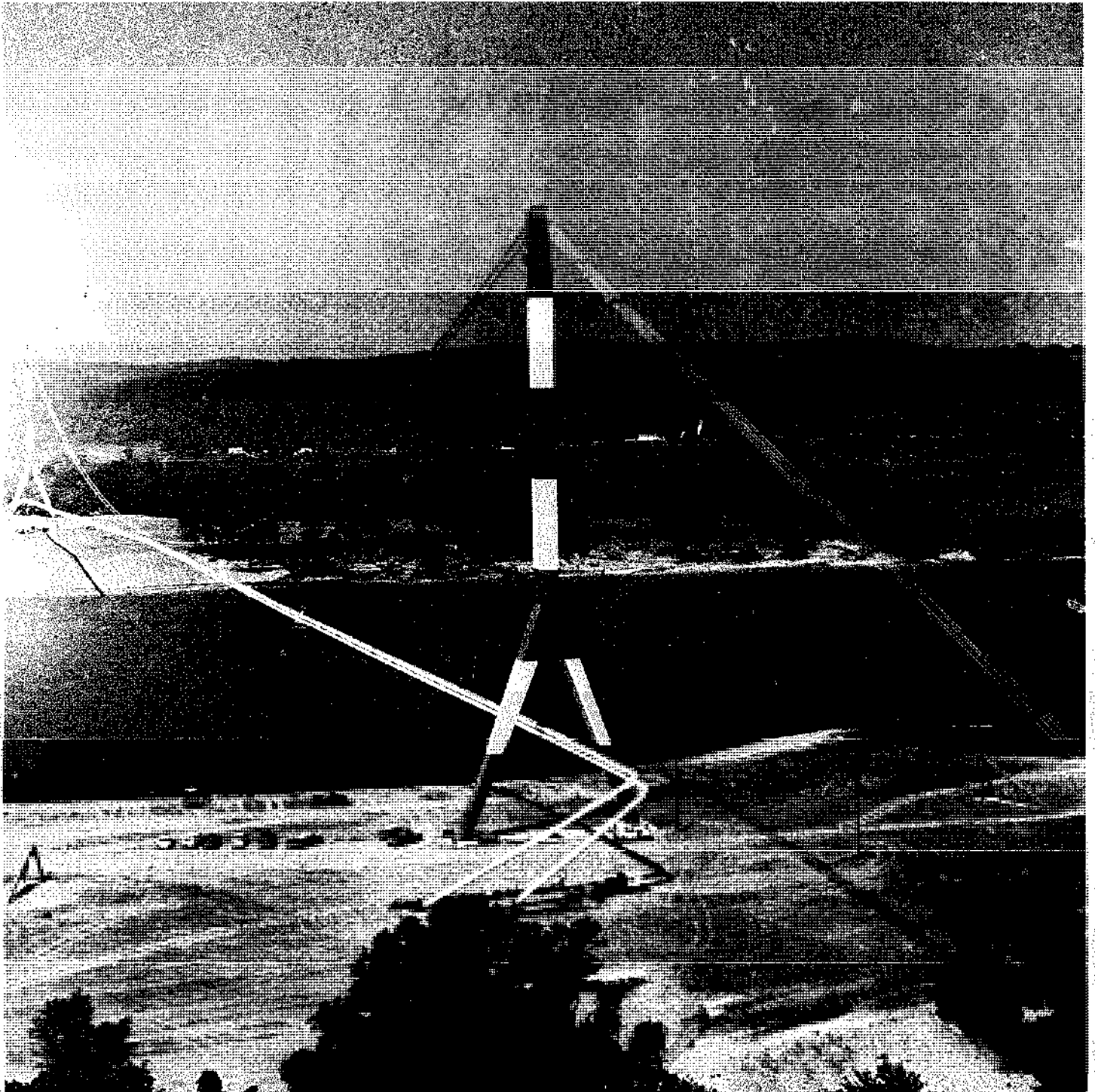
### CODES FOR IN-PLANT PIPING

For consistent high-quality work on in-plant piping, the welding procedure and the weldor should be qualified under some recognized national code.

The ASME Boiler and Pressure Vessel Code, Section IX — *Welding Qualifications*, is the code most used to qualify weldors for power piping work. For a detailed review of operator's qualification tests for in-plant welding, see *Pipefitter Welder's Review of Metal-Arc Welding for Qualification Under ASME Code Rules*. This is published by The National Certified Pipe Welding Bureau, 5530 Wisconsin Ave., Suite 750, Washington, D.C. 20015.



Double-ending pipe in the field with the submerged arc process.



Unique design for a pipeline river crossing.

# Welding Concrete-Reinforcing Bars

Plain concrete has low tensile strength; concrete members that must withstand appreciable tensile loads are usually reinforced with steel bars or mesh. In this composite construction, the tensile load is carried by the steel, while the concrete carries the compressive load. The amount of steel required for adequate reinforcement varies from about 1% for beams and slabs to about 6% for some columns.

To insure a tight grip between the concrete and the reinforcing bars, the bars are fabricated with small ridges, giving them a raised veined or corrugated surface. These surface deformations vary with different manufacturers, but all must be in accordance with ASTM requirements.

Since the coefficients of thermal expansion are about the same for steel and concrete, temperature changes do not cause appreciable stresses between the two materials.

Most reinforced concrete construction requires that the bars be welded end to end. Bulletin D12.1 of the American Welding Society describes recommended practices for welding of reinforcement steel.

Reinforcing bar is available in sizes from No. 3, which is 3/8 in. in diameter, to No. 18, a special size approximately 2-1/4 in. in diameter. All are "deformed bars." That is, they have lugs or deformations rolled on the surface to provide a grip to the concrete. Number designations for the bars

represent eighths of an inch (No. 6, for example, is 3/4-in. in diameter). A number of commonly used sizes of reinforced bar, along with dimensions and weights, are listed in Table 13-15.

## STEEL FOR REINFORCING BARS

The steel used to manufacture reinforcing bars comes from several different sources, and the only limitation on chemistry imposed by the ASTM specifications is that the phosphorus shall not exceed 0.05%. When requested by the purchaser an analysis of each lot shall be reported to the purchaser, but there are no restrictions other than phosphorus.

The ASTM specifications clearly state "the weldability of the steel is not a part of this specification but may be subject to agreement between a particular supplier and user." If the bars are to be welded, it is advisable to have some agreement on weldability.

ASTM A615-68 specifies "billet" steel made by the open-hearth, basic-oxygen, or electric-furnace processes. Much of the reinforcing-bar stock used is high-carbon rerolled rail stock; thus, specifications are in terms of railroad materials. A616-68 specifies the bars shall be rolled from standard section T rails. A617-68 specifies the bars shall be rolled from carbon-steel axles for cars and locomotive tenders within certain journal sizes. Table 13-16 lists the grades, sizes, and tensile requirements of standard bars.

TABLE 13-15. Commonly Used Sizes of Deformed Reinforcing Bars

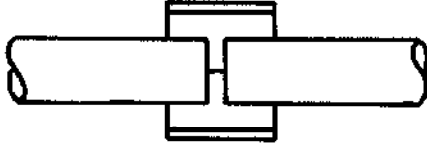
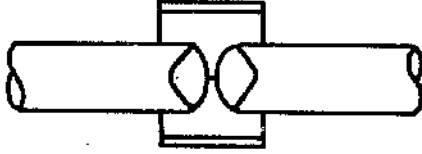




Number	Diam (in.)	Area (sq in.)	Perimeter (in.)	Weight (lb/ft)
3	0.375	0.11	1.178	0.376
4	0.500	0.20	1.571	0.668
5	0.625	0.31	1.963	1.043
6	0.750	0.44	2.356	1.502
7	0.875	0.60	2.749	2.044
8	1.000	0.79	3.142	2.670
9	1.128	1.00	3.544	3.400
10	1.270	1.27	3.990	4.303
11	1.410	1.56	4.430	5.313
14	1.693	2.25	5.320	7.650
18	2.257	4.00	7.090	13.600

TABLE 13-16. Deformed Bars for Concrete Reinforcement

ASTM Specification	Source of Steel	Range of Sizes	Grade	Yield Strength (min, psi)	Tensile Strength (min, psi)
A615-68	Billets	3-18	40	40,000	70,000
			60	60,000	90,000
			75	75,000	100,000
A616-68	T Rails	3-11	50	50,000	80,000
			60	60,000	90,000
A617-68	Steel Axles	3-11	40	40,000	70,000
			60	60,000	90,000



**TABLE 13-17. Preferred Joints for Arc-Welded Splices in Reinforcing Bars**

Bar Size	Recommended Type of Joint	
6 and smaller	Square end with plate or angle backing	
5 to 9	Single bevel with plate or angle backing	
5 to 9	Single bevel without backing	
8 to 18	Double bevel	
8 to 18	Double bevel, bars vertical	
11, 14, and 18	Sleeve, bars vertical; compression joints only	

**JOINT DESIGN**

Joint design is largely determined by the size of the bar and, to a lesser degree, by its position (horizontal or vertical) and by the accessibility of the joint. Straight butt-welded joints are preferred over other arc-welded joints since the stress transfer across the joint is direct and concentric. With the proper electrode, butt-welded joints can develop 100% of the tensile strength specified for the bar.

For small-diameter bars, however, straight butt welds are either very slow or difficult to make. Table 13-17 lists recommended joint types for various bar sizes. Figure 13-18 shows indirect butt splices for bars of size No. 6 and smaller, using a splice plate or angle.

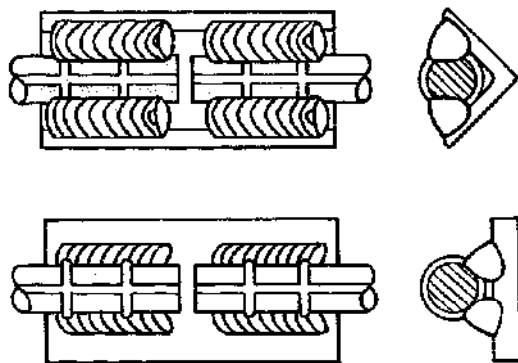


Fig. 13-18. Indirect butt splices for small reinforcing bars (No. 6 and smaller), incorporating a splice plate or angle.

For bar sizes No. 5 through 9, the bar end is beveled and butt-welded along with an angle as shown in Fig. 13-19 or with a plate, Fig. 13-20. Another way to butt-weld reinforcing bars with a backing is shown in Fig. 13-21. A backing strip about 1/8-in. thick is first tacked to the bottom of the joint. After a portion of the weld is made, the backing is red hot and can be easily wrapped partially around the bar with the weldor's slag hammer. Sometimes bar sizes 5 through 9 are butt-welded with a single bevel without a backing, as shown in Fig. 13-22.

Bar sizes No. 8 and larger are prepared with either a single bevel, Fig. 13-22, or a double bevel, Fig. 13-23. When the bars are vertical, the lower bar is cut square and the upper bar is either single or double-beveled, depending on the accessibility of the joint, Figs. 13-24 and 13-25. For heavy column reinforcement where the stress will always be in compression, the sleeve joint, Fig. 13-26 is sometimes used.

The single-lap splice, Fig. 13-27, is subjected to a bending stress when a load is applied, because the

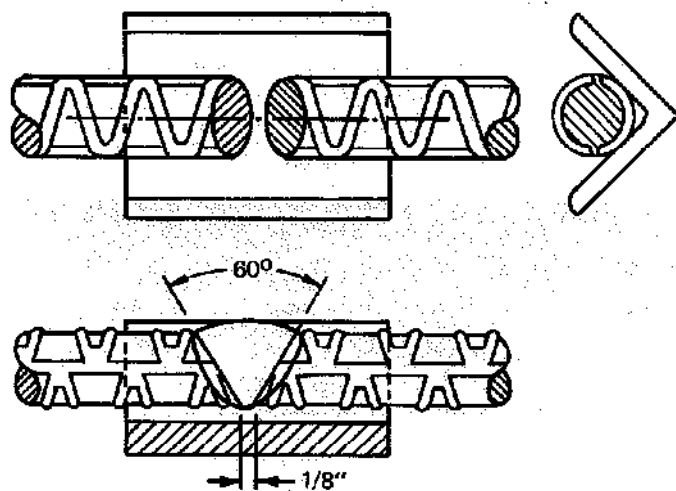


Fig. 13-19. Butt-welded joint with angle backing, for intermediate-size bars.

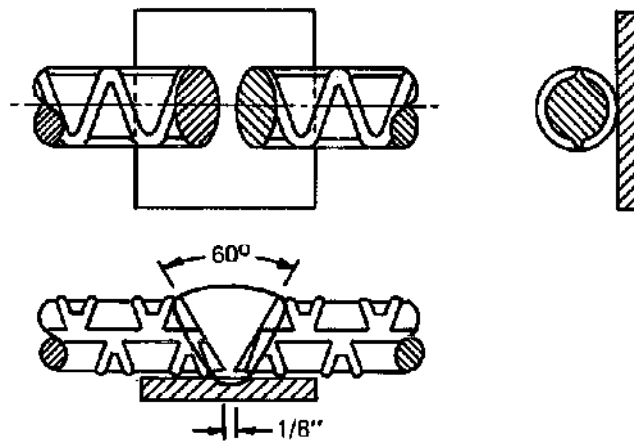


Fig. 13-20. Butt-welded joint with plate backing, for intermediate-size bars.

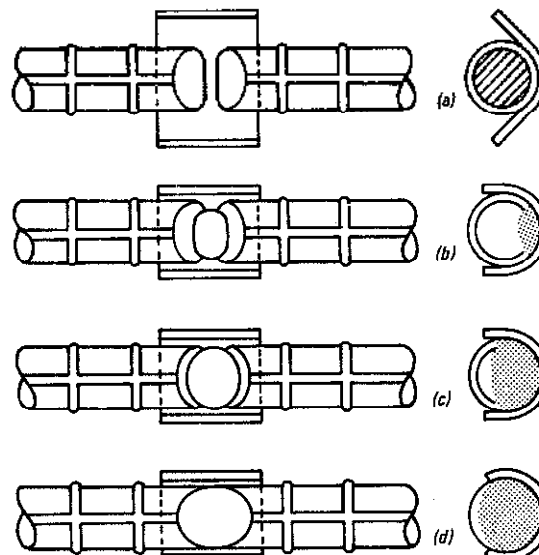


Fig. 13-21. Butt-welded bar with thin backing strip. The strip is tack-welded to the joint (a); then wrapped around the bar (b) as welding progresses. The completed weld is shown at (d).

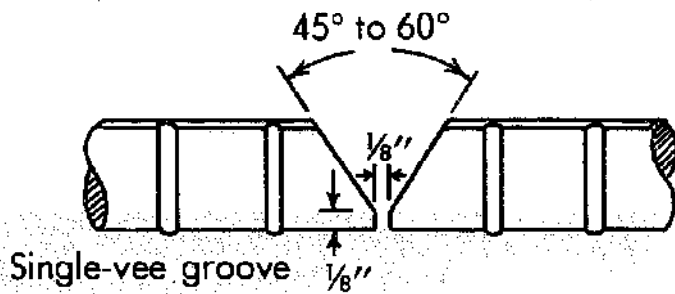


Fig. 13-22. Single-bevel butt joint for size No. 8 and larger.

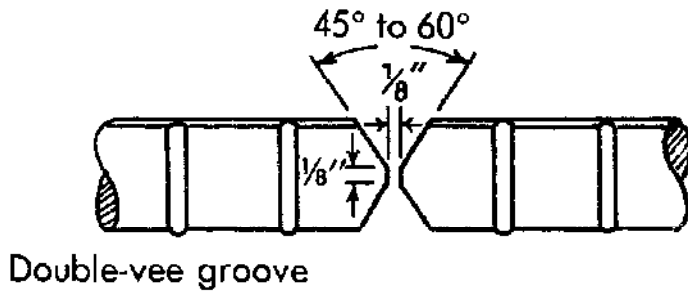


Fig. 13-23. Double-bevel butt joint for size No. 8 and larger.

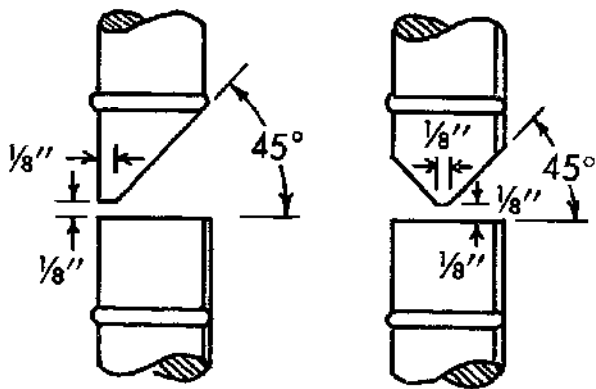


Fig. 13-24. Joint design for butt welds on vertical bars. Design used depends on accessibility of joint when welding.

bars are not on the same axis. This type of joint should not be used on large reinforcing bars and on small bars only after the application has been carefully analyzed. A better but more costly splice uses two short splice bars, as illustrated in Fig. 13-28.

### WELDING PROCEDURES

When splice plates, angles, or bars are used to join reinforcing bars, there is always a gap at the root of the joint caused by the deformation pattern on the bars. Because of this condition, weldors must acquire specific skills necessary to do quality work on reinforcing bars.

Shielded metal-arc welding electrodes should meet the requirements of AWS specifications and be



Fig. 13-25. Welding reinforcing bars in the vertical position. Double bevel is used because joint is accessible from both sides.

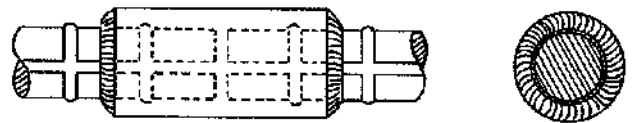


Fig. 13-26. Sleeve joint for bars in compression.

of the low-hydrogen type (EXX18) and of sufficient strength to match that of the reinforcing bars being welded.

It is important that the composition of the material to be welded be known before the welding starts. This information may be available from the mill or warehouse that supplies the reinforcing bars. Since the composition can vary widely, it is imperative to test sample joints thoroughly to confirm the suitability of the electrode and the skill of the weldor before the job is started.

Specific welding procedures can be extrapolated from the procedures for manual shielded metal-arc welding of a similar joint with low-hydrogen electrodes. Generally, the techniques are the same, but the electrode size is smaller than for steel-plate procedures.

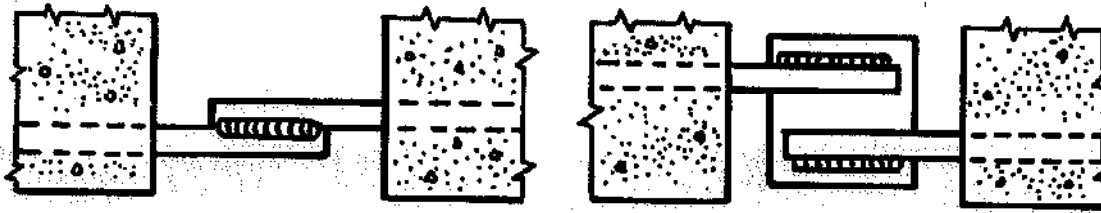


Fig. 13-27. Single lap splices for light loads.

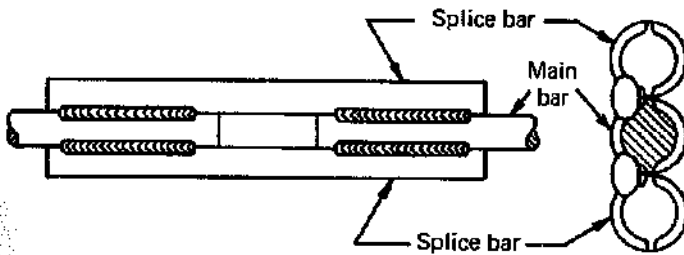


Fig. 13-28. Double lap joint with splice bars.

TABLE 13-18. Preheat and Interpass Temperatures for Welding Reinforcing Bars

Composition (%)		Electrode		Preheat Temperature (°F)
Carbon	Manganese	Low-Hydrogen	Other than Low-Hydrogen	
To 0.30	To 0.60	Not req.	Any E60XX or E70XX	72 if below 32; none if above 32.
0.31-0.35	To 0.90	E70XX	---	100 if below 32; none if above 32.
		---	E60XX or E70XX	100
0.36-0.50	To 1.30	E70XX	Not recom.	200
0.41-0.50	To 1.30	E70XX	Not recom.	400
0.51-0.80	To 1.30	High-tensile types.	Not recom.	Procedure subject to qualification and testing.

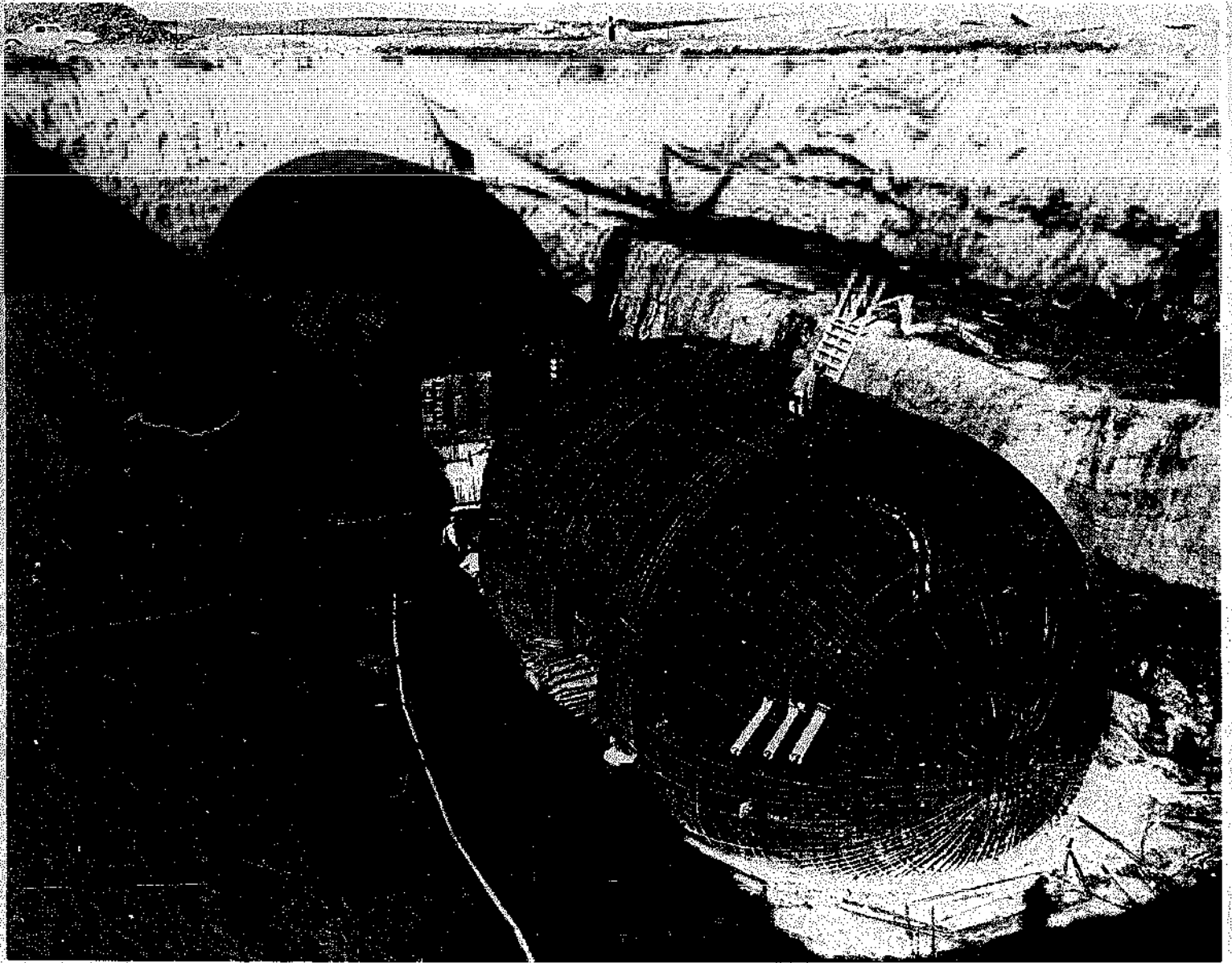
Table 13-18 lists recommended preheat and interpass temperatures for bars with varying carbon and manganese content.

TABLE 13-19. Procedures for Gas Metal-Arc Welding Reinforcing Bars

Bar Size	Welding Current (amp)	Arc Voltage
To 8	120	20
9-11	150	22
14, 18	160	22

Procedures are for either horizontal or vertical joints, using CO<sub>2</sub> at 15 cfh, and with 0.035-in.-diam. electrode.

In addition to the shielded metal-arc process, reinforcing bars can also be welded with the gas metal-arc process and the self-shielded cored-wire process. Welding reinforcing bars is almost always done in the field, so when using any gas-shielded process the weldor must be well protected from wind. Typical procedures for gas metal-arc welding are given in Table 13-19. Joints may be either single or double-bevel (use 3/32-in. gap between bars), and the same joint design is used for both horizontal and vertical bars. The same preheat and interpass temperature given in Table 13-18 for low-hydrogen electrode should be used. To insure good bonding to the base metal, large bars (14 and 18) should be preheated regardless of ambient temperature.



Control for a rocket launch facility. Welded reinforcing steel bars ready for concrete.

## Arc Gouging

As noted in preceding sections, when the electrode is nonconsumable, the arc can be used as a torch to melt metal. Such a torch can be used to add filler metal, or by a process called arc gouging to remove unwanted metal.

If a stream of compressed air is directed on the pool of molten metal that forms beneath an electric arc, the stream blasts the molten metal from the puddle, leaving an indentation, or gouge, in the metal. This action can be used to produce grooves in

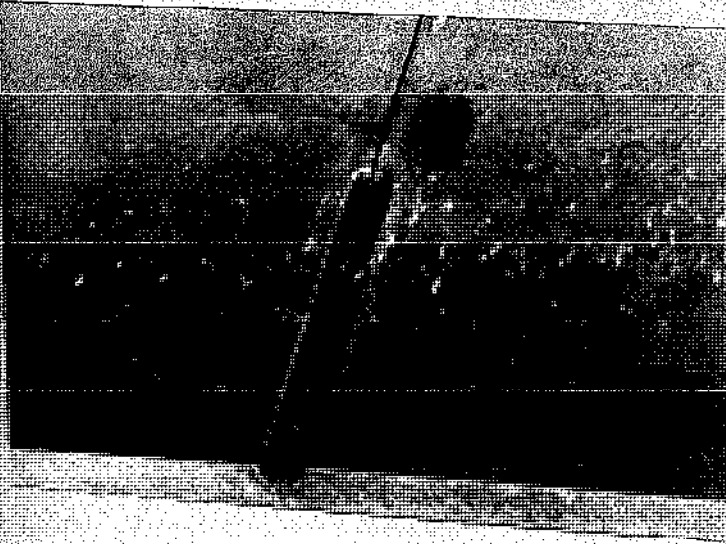


Fig. 13-29. Butt joint that has been partially beveled by arc gouging.



Fig. 13-30. Excess metal being removed from a casting by arc gouging.

plates, to bevel edges in preparation for welding (Fig. 13-29), or for removing excess metal or blisters from castings (Fig. 13-30). It can also be used to remove hardsurfacing materials from large areas, to cut thin plate, or to "back-gouge" welds to remove entrapped gas or slag before welding from the reverse side (Fig. 13-31).

In arc gouging, a carbon electrode is used to form the arc. The electrode is held by a special, fully insulated torch through which air is ducted and directed against the arc by a nozzle. The torch can be operated manually or by mechanized equipment (Figs. 13-32 and 13-33).



Fig. 13-31. Back-gouging of a seam welded from inside the tank as preparation for a weld to be made from the outside.

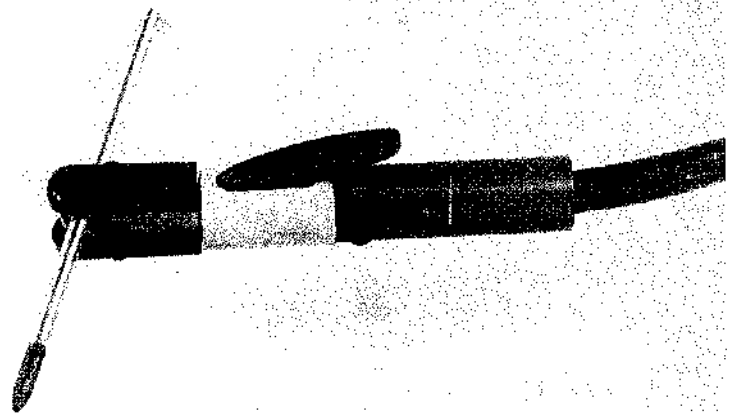


Fig. 13-32. Typical torch for manual arc gouging.

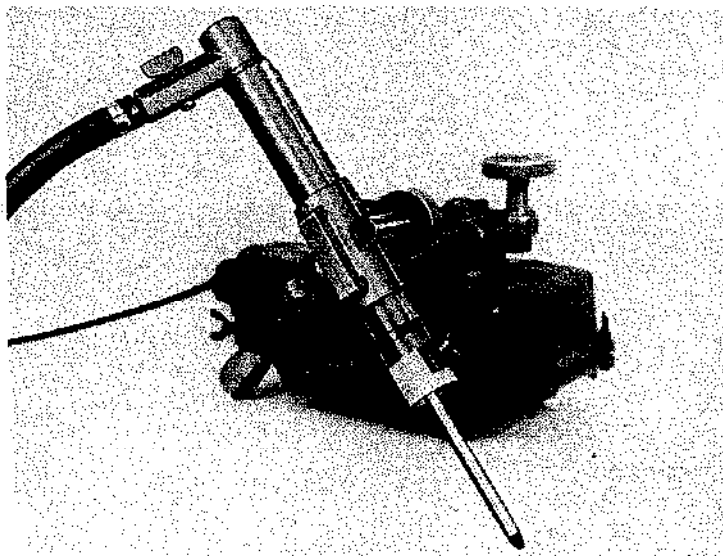


Fig. 13-33. Mechanized torch for arc gouging, providing automatic travel along the seam.

The arc is powered by an arc-welding machine, but for a given diameter of electrode the power requirements are normally higher for arc gouging than for arc welding. Compressed air commonly used to power air tools is suitable.

The process does not depend upon oxidation, and therefore works well with all metals regardless of how rapidly they oxidize. Material can be removed approximately five times faster by arc gouging than by chipping. A 3/8-in. groove, for example, can be gouged at a speed of more than 2 fpm. Depth of cut can be controlled closely, and welding slag does not deflect or hamper the cutting action as it would with cutting tools. The cost of operating gouging equipment is generally less than for chipping hammers or gas-cutting torches, and the arc-gouging equipment also requires less space. An arc-gouged surface is clean and smooth and can usually be welded without further preparation.

The process has several drawbacks, however. It is not as good as other processes for through-cutting, and large volumes of compressed air are required. Improper operation of the torch may result in carbon pickup (and undesirable metallurgical changes) in some materials. Increased hardness produced on cast iron and air-hardenable materials may be objectionable.

## TYPES OF ELECTRODES

Several types of electrodes are used for arc gouging. The most commonly used electrode is a copper-coated composition of graphite (carbon)

manufactured for DC operation, available in sizes from 5/32 to 1 in. A less costly graphite electrode is also manufactured for DC, but it is not widely used, and applications are generally confined to electrode diameters less than 3/8 in. The copper-coated electrode is generally preferred because it erodes far less during operation than the plain electrode. Copper-coated graphite electrodes are also manufactured for AC operation. These contain rare-earth additions to stabilize the arc. This type of electrode is available in sizes from 3/16 to 1/2 in.

A flux-coated steel electrode is available for arc-gouging high-purity copper, or for use on cast iron, where high current densities are required. This "centergrip" electrode, available in 1/4-in. diameter and 18-in. length with a bare section in the center for attachment to the torch, produces a surface or groove that is not as smooth as those made with graphite electrodes.

TABLE 13-20. Electrode Type and Current Recommended for Arc Gouging

Material	Electrode	Power
Steel	DC	DCRP
	AC	AC
Stainless Steel	DC	DCRP
	AC	AC
Iron (cast iron, ductile iron, malleable iron)	AC	AC or DCSP
	DC	DCRP (high-amperage)
Copper Alloys	AC	AC or DCSP
	DC	DCRP
Nickel Alloys	AC	AC or DCSP

From AWS Handbook, Sixth Edition, Section 3A.

The specific types of electrodes and current recommended for arc gouging various metals and alloys are summarized in Table 13-20 and discussed in the following paragraphs:

**Steels:** DC electrodes are used with DC reverse polarity for carbon, low-alloy, and stainless steels. If DC is not available, AC (with AC electrodes) can be used. For this application, AC is about 50% as efficient as DC.

**Cast Irons:** AC electrodes are used with DC straight polarity or with AC at the middle of the amperage range for all cast irons, including malleable and ductile (nodular) iron.

**Copper Alloys:** DC electrodes are used with DC reverse polarity at maximum amperage if the copper content of the alloy is not over 60%. For special marine propeller alloys, use DC electrodes with DC straight polarity. If the copper content is above

60%, or if the workpiece is extremely large, use AC electrodes with AC. Centergrip steel electrodes may be required if copper content is 99.9% or more.

**Nickel Alloys:** Use AC electrodes and AC power.

**Magnesium Alloys:** DC electrodes are used with DC reverse polarity. Surface of the groove should be wire-brushed prior to welding.

**Aluminum Alloys:** DC electrodes are used with DC reverse polarity. Wire brushing is mandatory prior to welding. Electrode protrusion cannot exceed 4 in. for quality work.

**Exotic Alloys:** Titanium, zirconium, hafnium, and their alloys can be cut for remelt by arc gouging. A cleaning operation is necessary after arc gouging if these materials are to be welded.

TABLE 13-21. Power Sources for Arc Gouging

Type of Current	Type of Power Source	Remarks
DC	Variable-voltage motor-generator, rectifier, or resistor-grid equipment	Recommended for all electrode sizes.
DC	Constant-voltage motor-generator, or rectifier	Recommended only for electrodes above 1/4-in. diameter.
AC	Transformer	Should be used only with AC electrodes.
AC-DC	Rectifier	DC supplied by three-phase transformer-rectifier is satisfactory. DC from single-phase source not recommended. AC from AC-DC power source is satisfactory if AC electrodes are used.

## POWER SOURCES

Standard power sources for industrial arc welding can be used for arc gouging, but fairly large outputs are required. The open-circuit voltage of light-duty welders may not be adequate. Arc voltages with arc gouging normally range from about 35 to 56 v. An open-circuit voltage of at least 60 v is required. Table 13-21 lists recommended power sources, and Table 13-22 lists suggested current ranges.

It is recommended that the power source have overload protection in the output circuit. High current surges of short duration occur with arc gouging, and these surges can overload the power source.

## AIR SUPPLY

The air supply for arc gouging normally should be at a pressure of about 80 to 100 psi. Where compressed air lines are not available, arc-gouging torches suitable for light work can be operated on bottled gas at pressures as low as 40 psi. Pressures above 100 psi are sometimes used, but offer no advantage in metal-removing efficiency.

The air line should have an inside diameter of at least 1/4 in. for both manual and mechanized torches, except for the voltage-controlled torches. These require a minimum ID of 1/2 in. Table 13-23 lists typical requirements for the compressed-air supply.

TABLE 13-22. Recommended Range of Current for Arc Gouging

Type of Electrode and Power	Maximum and Minimum Current (amp)					
	Electrode Size (in.)					
	5/32	3/16	1/4	5/16	3/8	1/2
DC Electrodes, DCRP Power	90-150	150-200	200-400	250-450	350-600	600-1000
AC Electrodes, AC Power	--	150-200	200-300	---	300-500	400-600
AC Electrodes, DCSP Power	--	150-180	200-250	---	300-400	400-500

TABLE 13-23. Air Consumption for Arc Gouging

Maximum Electrode Size (in.)	Application	Pressure (psi)	Consumption (cfm)
1/4	Intermittent-duty, manual torch	40	3
1/4	Intermittent-duty, manual torch	80	9
3/8	General-purpose	80	16
3/4	Heavy-duty	80	29
5/8	Semiautomatic mechanized torch	80	25



## TORCHES

The most common type of manual torch is shown in Fig. 13-32, where the electrode is held in a rotatable head. Torches are generally air-cooled, but those intended for application at high currents are water-cooled.

Three types of mechanized torches are available. The simplest type is mounted on a machine carriage, but requires manual feeding of the electrode (Fig. 13-33). A more refined version of the carriage-mounted torch employs a spring-loaded device that maintains a constant distance between the torch and workpiece to provide a uniform groove depth. The third and most sophisticated type has electronic controls that regulate the voltage to provide the correct arc length. This type of torch can make grooves to a depth tolerance of  $\pm 0.025$  in.

## METALLURGICAL CONSIDERATIONS

The correct use of arc gouging with carbon-based electrodes apparently causes no ill effects insofar as carbon pickup, corrosion resistance, or distortion are concerned. The chemical changes produced by the process are similar to those produced by the arc-welding process; that is, a thin, hardened zone may appear in some metals, but subsequent welding remelts this zone and reduces the hardness. Copper contamination from copper-plated electrodes has not been detected.

Heat penetration is shallower with arc gouging than with oxygen cutting, so arc gouging produces less distortion. Machinability of low-carbon and nonhardenable steel is not affected by arc gouging. The surface of cast iron and high-carbon steel may be rendered unmachinable by the process. This hard layer, however, is generally only about 0.006-in. thick, and can be easily removed by a cutting tool set to penetrate beyond that depth.

## SAFETY PRECAUTIONS

Any process in which molten metal is spewing about obviously presents hazards. An arc-gouging operator should follow the safety practices for welding in Section 15.1, and particular attention should be paid to possible fire hazards. Inflammable materials should be removed from the work area, protective booths or screens should be set up, and workers should have the proper protective clothing, especially if they are to work out-of-position.

Power cables should not be placed in the way of the hot-metal stream, and other normal precautions should be observed to avoid electric shock or accidental arcing. The operator must not stand in water while holding the torch, nor should he dip it into water to cool it. Ventilation must be adequate, especially with copper-based alloys that may produce toxic fumes.

## TROUBLE SHOOTING

Most problems encountered in arc gouging stem from common oversights. For example, carbon deposits at the beginning of a groove are usually caused by not having the air turned on before the arc is struck. An unsteady arc, which causes the operator to travel slowly, is generally the result of insufficient current. An erratic groove, where the arc wanders from side to side and where the electrode overheats, is normally caused by negative polarity DC.

Intermittent arc action and resulting irregular groove surface is caused by too slow travel speed. Carbon deposits at intervals along the groove are caused by a shorting out of the electrode against the work. Slag adhering to the edges of the groove results from inadequate air pressure. A groove that gets progressively shallower or deeper is caused by an incorrect arc length.

## Welding Clad Steels

Clad steels are composite materials, made by mill-rolling a thin sheet of a metal that has desired properties over a base ("backing") plate of carbon or alloy steel. The cladding metal may be a stainless-steel alloy, nickel or a nickel alloy, or copper or a copper alloy. Under the heat and pressure of rolling, the dissimilar metals are bonded at the interface. The result is a composite with the strength of the backing steel and with corrosion resistance, abrasion resistance, or other useful properties on the clad face. The cladding may be of any thickness, but is usually from 5 to 20% of the thickness of the composite plate.

Figure 13-34 shows a representative sample of a clad steel. The backing plate is most frequently a plain carbon steel such as A285, but it may be an alloy steel with high-strength or low or elevated-temperature properties. Some of the commonly used backing steels for special applications are:

A285, the most commonly used backing steel.

A515 or A516, where a killed steel is required or for pressure-vessel applications.

A203, for low-temperature uses.

A204, where higher strength than that of A285 at elevated temperature is needed.

A387, where high-temperature characteristics and resistance to graphitization are required.

A302, for high-pressure service at elevated temperatures.

Common cladding materials are the chromium steels, chromium-nickel steels, nickel and nickel-copper and nickel-chromium-iron alloys, cupronickels, and oxygen-free and deoxidized coppers.

### CONSIDERATIONS WHEN WELDING

In the weld-joining of the clad steels, it is essential to preserve the properties of the cladding at the weld. Otherwise, the desired corrosion resistance, abrasion resistance, or other property of the

clad surface would not be continuous. At the same time, it is also essential that the properties of the backing metal be maintained. These two requirements mean that special joint designs and welding procedures must be used. The backing metal portion of the joint is welded with an appropriate steel electrode and the clad portion with an electrode giving a fill metal with properties compatible with those of the cladding. The joint must be designed to make such "duplex" welding practical.

In general, the procedure is to weld the backing metal portion of the joint first, followed by welding on the clad side. Thus, a high-alloy-clad carbon-steel plate would be welded first on the carbon-steel side with carbon-steel electrode, followed by welding on the clad side with high-alloy electrode. This sequence prevents the formation of hard, brittle areas in the weld, such as would occur if carbon steel weld metal were deposited on high alloy.

Figure 13-35 shows types of edge preparations used. Note the root faces and the stripped-back clad edges — arrangements designed to minimize admixture of the dissimilar weld metals. In joints where

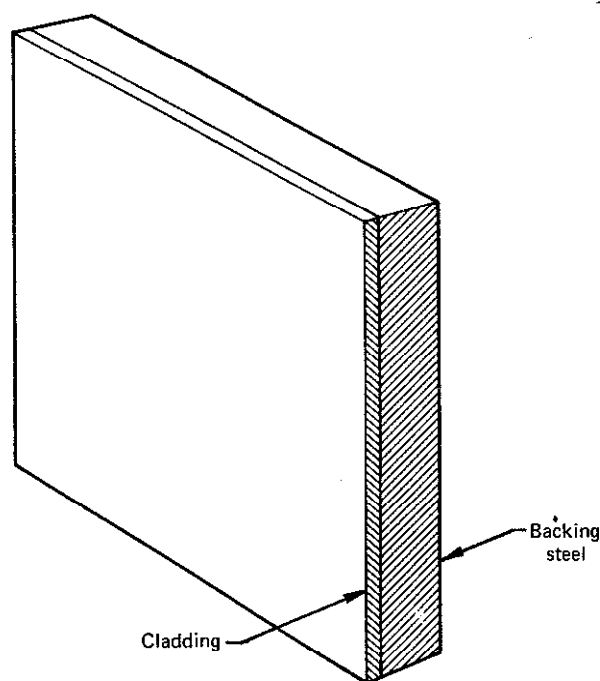


Fig. 13-34. A sample of a clad steel. The cladding is bonded to the backing steel under the heat and pressure of rolling.

full strength is not required, incomplete penetration is sometimes used to avoid admixture. In light-gage plates, an alloy that is compatible with the cladding may be used for the entire joint — a technique referred to as “full-alloy welding.”

The clad steels may be welded by the shielded metal-arc, submerged-arc, gas metal-arc, or gas tungsten-arc processes. The shielded metal-arc process (stick-electrode) is most widely used.

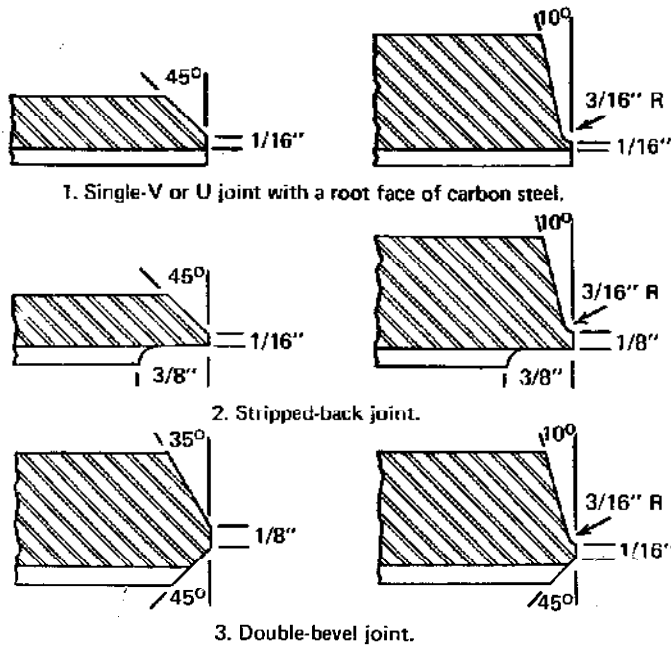


Fig. 13-35. Types of edge preparations used for butt welds in clad steels.

### SHIELDED METAL-ARC WELDING OF CLAD STEELS

A six-step method for making butt welds in clad steel plate is summarized in Fig. 13-36. The first step — preparing the plate edges — is very important. The 1/16-in. root face of backing steel is a barrier to minimize admixture of the dissimilar weld metals. The fitup must be accurate for the same reason. After assembly and alignment, the parts should be tack welded on the steel side with the same type electrode that will be used for the root bead.

#### Welding the Steel Side

The first weld is made on the steel side using an electrode that will develop the required characteristics of the backing steel. Care must be used to prevent the root bead from penetrating into the cladding.

If the fitup is good and the plate edges properly prepared, a 1/8-in.-diameter EXX27 type of electrode should give proper penetration. If a wide gap

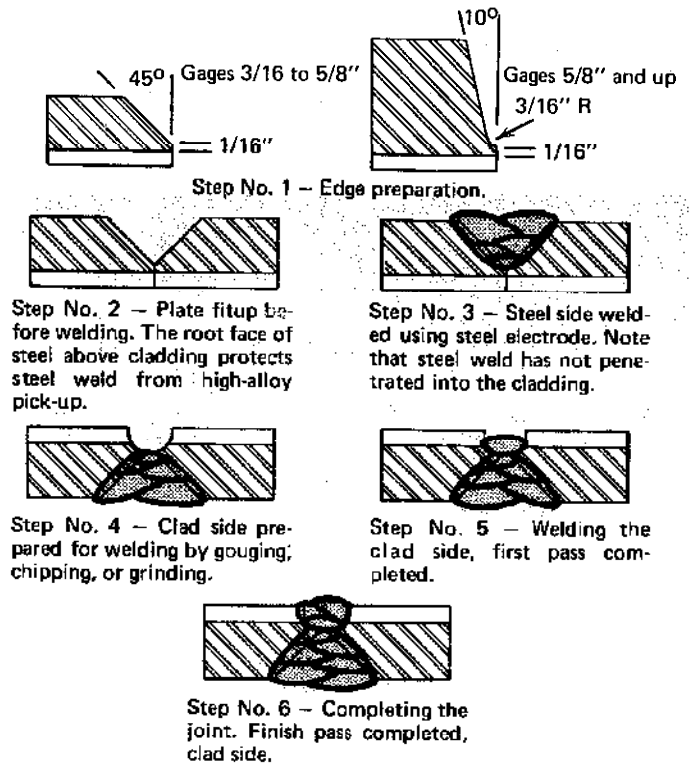


Fig. 13-36. The standard six-step method for making butt welds in clad steels.

must be bridged or if the root face of the backing metal is thinner than 1/16-in., low-hydrogen electrodes of the EXX16 or EXX18 type should be used. If the cladding is penetrated by the steel root bead in a carbon-steel backing, martensite may be formed in the root pass. If the penetration is too shallow, the amount of metal to be back-gouged from the clad side and the amount of alloy weld metal required for fill will be excessive.

The welding electrodes and procedures for the steel side are the same as would be used with unclad steel (see Section 6.2).

#### Back-Gouging the Clad Side

The clad side of the joint is back-gouged to sound metal before welding. The operation should remove any unfused area and the slag from the backing-steel weld. If the workmanship has been good, the depth below the cladding to be removed will usually be not more than 1/16-in. The width of the gouged groove should be held to the following approximate dimensions:

Plate Gage	10% Clad	20% Clad
3/16 to 1/2 in.	1/4 in.	5/16 in.
9/16 to 1 in.	3/8 in.	1/2 in.
Over 1 in.	1/2 in.	5/8 in.

If the depth of the gouged groove is excessive, the width of groove should be increased to permit electrode manipulation. The edges of the groove should be rounded to prevent entrapment of slag.

Carbon-arc gouging and chipping are the preferred methods for back-gouging clad materials. When chipping, sharp round-nose chisels must be used.

### Welding the Clad Side

The electrode for the clad side should maintain the continuity of the surface properties of that side and contribute to the structural strength of the weld. Table 13-24 gives recommended welding electrodes for various claddings.

**TABLE 13-24. Typical Covered Electrodes for Welding the Clad Side of Nonferrous and Stainless Clad-Steel Weld Joints**

AISI-Type or Alloy Cladding	AWS-Type Electrode for the First Pass or Layer	AWS-Type Electrode to Complete the Weld <sup>(4)</sup>
405, 410, 430	E309 <sup>(1)(2)</sup> , E430 <sup>(3)</sup>	E309 <sup>(1)(2)</sup> , E430 <sup>(3)</sup>
304	E309, E312	E309, E308
304L	E309, E309Cb	E308L, E309Cb
347, 321	E309, E309Cb	E309, E309Cb
309	E309	E309
316	E309Mo	E309Mo
316L	E309Mo	E309Mo, E316L, E316Cb
316L	E309Cb	E316L, E316Cb
317	E309Mo, E317	E317
Low-Carbon Nickel	ENi-1	ENi-1
Nickel	ENi-1	ENi-1
Monel	ENiCu-1	ENiCu-1
Inconel	ENiCr-1	ENiCr-1
Cupro-Nickel	ENiCu-1	ENiCu-1

#### Notes:

1. Before using this electrode for 400-series stainless cladding, investigate the application to determine if nickel-bearing weld metal can be tolerated.

A preheat of 300°F minimum is suggested for maximum ductility in the heat-affected zone of the cladding, particularly in gages over 1/2-in.

2. Postheating: Annealing or stress-relief heat treatment after welding is important for maximum ductility and corrosion resistance of heat-affected zones of 430, 410, and 405 cladding and of 430 weld-metal deposits on steel.

**Caution:** The fact that austenitic weld metal is subject to sensitization when heated in stress-relieving temperature ranges should also be considered.

3. Preheat of 400°F is required.
4. Since two layers of deposited metal must be used, it may be necessary to grind off part of the first layer to make room for the second, particularly on light gages or thin claddings.

The straight chromium-clad steels (Types 430, 410, and 405) are commonly welded with austenitic electrodes to avoid the brittle nature of straight chromium weld metal. In some instances, however, the latter must be used. In either case, steps must be taken to overcome undesirable metallurgical effects that occur in the cladding adjacent to the weld metal. When straight chromium electrodes are used, it is necessary to preheat to 300-400°F and to stress relieve after welding. Type 430 stainless steel may become sensitized during welding due to rapid cooling from temperatures above 1700°F. A heat treatment of 1200-1500°F followed by air cooling will correct the condition.

The electrodes indicated in Table 13-24 for welding claddings of the 300 series of stainless steels have alloy contents that compensate for the iron dilution of the weld metal by the backing steel. The application, however, may require maintaining a specific chemical composition, in which case an electrode with a composition more nearly that of the cladding should be used. If so, small-diameter electrodes should be used at moderate welding current to minimize weld-metal dilution. At least two layers of weld metal should be deposited over the steel, even if it is necessary to chip or grind off part of the first stainless bead to make room for the second pass.

Microfissuring may be encountered with Types 310 and 347 electrodes, and the phenomenon may affect the corrosion resistance of the deposited weld. In such cases, special-order electrodes may be suggested by the electrode supplier.

With nickel claddings, it is virtually impossible to prevent iron pickup. However, the nickel-iron alloys formed are corrosion-resistant — even in caustic applications — when the iron content is as much as 24%.

Small-diameter electrodes should be used with stringer beads for welding nickel claddings. To minimize iron pickup, the top half of the initially deposited beads should be chipped or ground off before succeeding beads are deposited. The greater the number of layers of nickel weld metal, the lower will be the iron content in the top layer — the one in contact with the corrosive environment in the application. As indicated in Table 13-24, ENi-1 electrodes should be used for welding nickel cladding.

Type ENiCu-1 electrodes are used for welding Monel cladding. Developed specially for the purpose, these electrodes prevent the hot-short or brittle conditions that often result from the for-

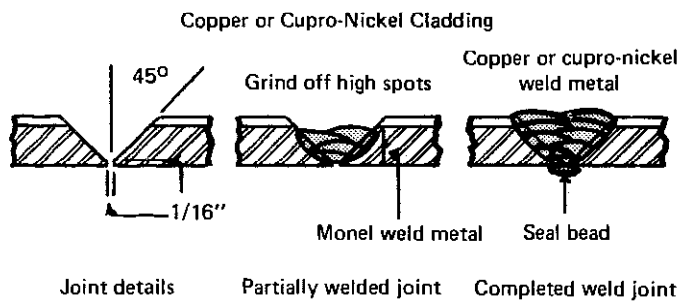


Fig. 13-37. Scheme for welding copper-clad or cupro-nickel-clad plate in gages from 3/16 to 3/8-in.

mation of nickel-copper-iron alloys when regular Monel welding materials are deposited against steel.

When welding Inconel cladding, ENiCr-1 electrodes should be used to compensate for iron dilution. The electrodes should be baked at 500°F for two hours immediately before use to assure X-ray-quality welds.

Copper-clad and cupro-nickel-clad steels present a special problem because of the embrittlement that occurs with iron dilution. This embrittlement can be avoided by depositing a barrier pass of Monel weld metal between the steel and copper or cupro-nickel.

When fabricating copper-clad or cupro-nickel-clad steels in gages from 3/16 to 3/8-in. inclusive, the full-alloy type of weld is recommended with the plate edges beveled as in Fig. 13-37. Welding below the cladding may be done with Monel stick electrodes (ENiCu-1). Generally, 1/8-in. electrodes are used for these plate gages and the edge preparations shown. Care should be taken with the root pass to insure uniform sealing of the gap without excessive burnthrough. The seal bead is also made with Monel-coated electrode — after the gap has been wire-brushed with a stainless or other high-alloy brush or lightly grooved by chipping or gouging.

The weld bevel should be filled with Monel metal up to the bond line. The amount of dilution in the deposited weld metal is minimized by using the stringer-bead technique and depositing several layers rather than attempting to deposit a large amount of weld metal in one pass. The surface of the Monel weld metal should be smoothed by grinding so that high points do not affect uniformity of dilution in the welding that follows.

To complete the weld, cupro-nickel or copper is deposited on the Monel weld metal. Copper cladding is preferably put on by the gas-shielded consumable-electrode process, using 1/16-in. bare copper electrode (ECu). Cupro-nickel cladding may be

deposited with the stick-electrode process, using 1/8-in. ECuNi covered electrode or by the gas metal-arc process using 1/16-in. ECuNi bare electrodes. To assure a satisfactory chemical composition at the surface of the clad, there should be at least two layers of clad metal above the Monel deposit. It may be necessary to grind off some of the first clad layer to obtain space for the second bead layer.

With copper-clad or cupro-nickel-clad plate 3/8-in.-thick and over, the preparations and welding details shown in Fig. 13-38 are recommended. The heavier gages may be prepared with a U bevel instead of a V, providing the fitup and root face of carbon steel are preserved. The steel side is welded first with a suitable electrode, following which the joint is back-gouged from the clad side to a minimum depth of 1/8-in. below the bond line. Monel metal is then deposited to bring the weld metal surface to the bond line, after which the surface of the Monel metal is ground and the weld finished with copper or cupro-nickel as described in the preceding text.

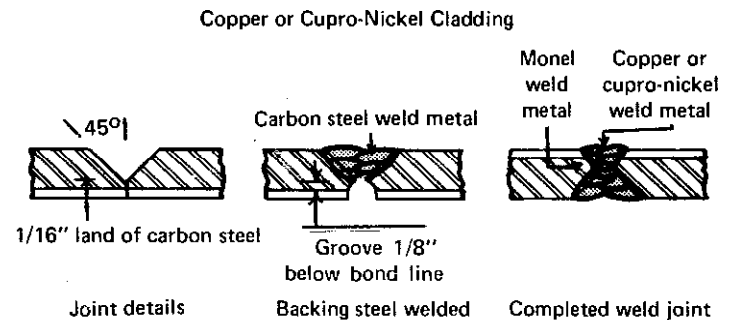


Fig. 13-38. Scheme for welding copper-clad or cupro-nickel-clad plate in gages over 3/8-in.

### Full-Alloy Welding

A full-alloy weld is usually more economical than a duplex weld with light-gage clad steels. Full-alloy welding may be practical for gages as thick as 1/2-in. Welding is similar to that used for solid high-alloy plate. Edge preparation is simpler, procedures are less exacting, and labor costs are reduced. The full-alloy technique also minimizes iron pickup when welding materials such as nickel-clad and Monel-clad steels where higher alloy electrodes cannot be used to compensate for iron dilution.

Although the material costs of full-alloy weld metal may be more expensive than combination

weld metal, such costs are usually offset by lower labor costs. This is especially true in gages up to 3/8-in. The economical cutoff point depends on the welding process, the joint position, the type of cladding, and specific shop practices.

A bevel to a feather edge is usually prepared for full-alloy welding. The feather edge is then ground to give a 1/16-in. root face. The plates to be joined are spaced approximately 3/32-in. apart to permit full penetration of the high-alloy electrode. The steel side is welded first, using a 1/8-in. electrode for the root pass. The weld is then completed by wire-brushing and depositing a single pass on the cladding side. Figure 13-39 shows the plate edge preparation and the steps used in making a full-alloy weld.

A reverse-type of edge preparation is shown in Fig. 13-40. Here, the beveling is from the cladding side. A 1/16-in. gap is left between the unground feather edges. The root pass is made from the cladding side with 1/8-in. alloy electrode. The opening on the steel side is cleaned before finishing the weld with alloy electrode. This technique makes possible welds with very little iron dilution on the clad steel surface.

Figure 13-41 shows the full-alloy butt welding of light-gage clad steel using a square edge preparation. This is the most economical way of joining light-gage clad materials where a 100% weld is not required. A sealing pass is usually made first from the cladding side. It should not penetrate deeply. The joint is then completed with a deep-penetrating pass from the steel side.

Figure 13-42 shows a method for full-alloy welding of light-gage clad steel in the horizontal position. The top plate edge of the backing is beveled, and the

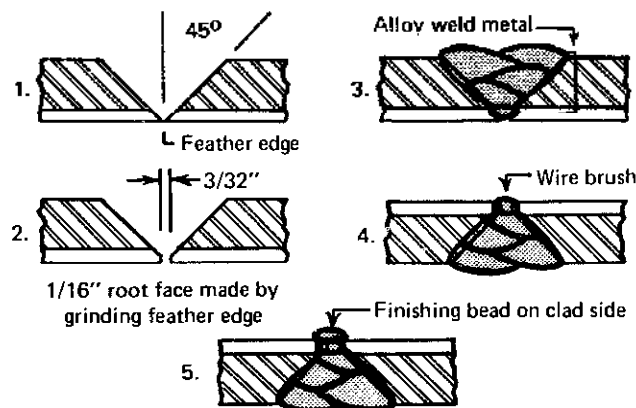


Fig. 13-39. Standard procedures for full-alloy welding of light-gage steel.

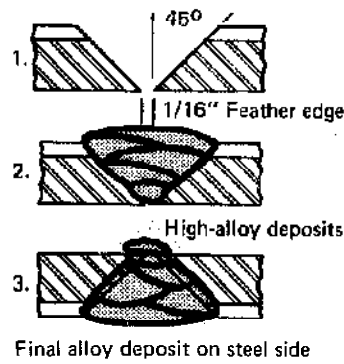


Fig. 13-40. Full-alloy welding of light-gage clad steel using a reverse-bevel edge preparation.

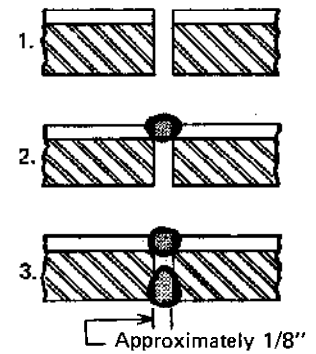


Fig. 13-41. Full-alloy butt welding of light-gage clad steel using a square edge preparation.

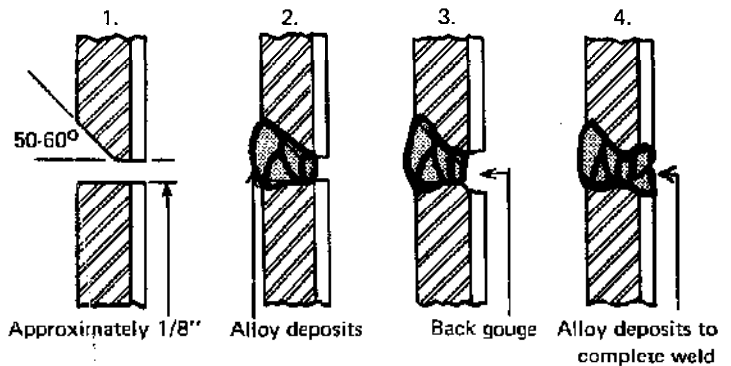


Fig. 13-42. Preparation and scheme of full-alloy butt welding of light-gage steel in the horizontal position.

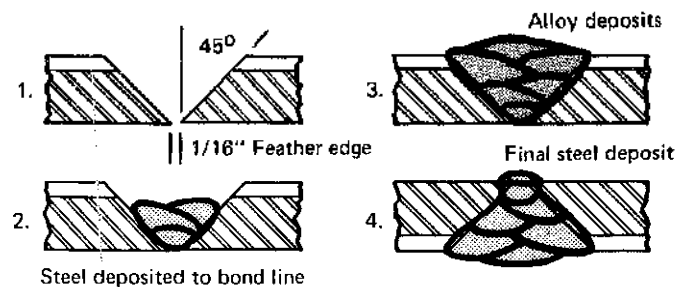


Fig. 13-43. Combination welding of light-gage clad steel using the reverse-bevel technique.

plates are fitted with a root gap of approximately 1/8-in. The steel side is welded first with alloy electrode. The weld is then back-gouged from the cladding side and completed with two or more passes with high-alloy electrode from that side.

In Fig. 13-43, the welding of light-gage clad steel with a combination of steel and high-alloy electrodes is illustrated. A reverse bevel and a 1/16-in. gap between the feather edges are used. The carbon steel electrode is used first, with metal deposited from the cladding side up to the bond line. The weld

is then completed on the cladding side with an alloy electrode, followed by cleaning on the steel side and finishing the weld from that side with carbon-steel electrode.

### Welding Heavy-Gage Clad-Steel Plate

With clad steel 1-1/2-in. or thicker, a single bevel or a J groove preparation (Fig. 13-44) are frequently used. The steel side of such a joint is usually welded with two manual passes, followed by submerged-arc welding.

Some designs may specify a double-V or double-U edge preparation. In this case it is desirable to minimize the depth of the bevel or U on the clad side, as in Fig. 13-45, to minimize the amount of high-alloy weld metal required.

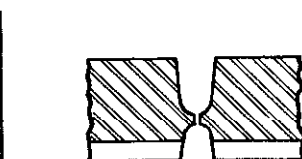
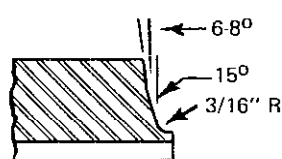


Fig. 13-44. Standard plate edge preparation for welding heavy-gage clad steel. The preparation may be either a bevel or a J groove.

Fig. 13-45. A double-U edge preparation for butt welding heavy-gage clad plate.

### GAS-SHIELDED WELDING OF CLAD STEELS

Gas metal-arc welding, either semiautomatic or fully automatic, is an excellent choice for welding clad steels where the volume of work warrants a degree of mechanization. Only relatively low inputs give good penetration, minimizing dilution of weld metal by iron from the clad backing. The amount of dilution is also minimized if the welding arc is directed into the puddle and the molten filler wire is "flowed" into the puddle. Light-gage clad materials are readily welded with a square edge preparation.

The tungsten metal-arc process can also be used with all types of clad steels. It, however, is usually considered too slow to be economical. Its use is limited primarily in production to the welding of clad plates with polished surfaces, where the smooth contours achieved by TIG welding save time in polishing the welds to match the surface of the plate.

### SUBMERGED-ARC WELDING OF CLAD STEELS

The submerged-arc process gives increased welding speeds, but requires precautions to prevent dilu-

tion of the weld deposit with base metal. The plate should be given the conventional preparation on the steel side, with the exception that a steel root face of 3/32-in. minimum thickness should be left above the cladding. One or two beads of steel weld metal should then be run with stick electrode before finishing the weld on the steel side with the submerged-arc process. This provides a backing for the submerged-arc welds and prevents penetration of the cladding.

An alternate method eliminates the manual passes. The plate is prepared with a groove for automatic welding on the steel side, but the cladding is stripped back 1/4-in. on each side of the weld joint to prevent pickup of material from the cladding. A wide root face of steel must be provided for backing the automatic weld.

Table 13-25 gives the welding wires to be used on the clad side with various claddings. Certain precautions must also be used on this side for good results with submerged-arc welding. The groove should be back-gouged to clean, sound metal, and, if it is not possible to compensate for dilution by using a welding wire with higher alloy content than that of the cladding, the alloy weld metal should be deposited in two or more layers. All layers, except the cover pass, should be lightly ground or chipped to assist in minimizing the iron content of weld

TABLE 13-25. Welding Wire for Inert Gas or Submerged-Arc Welding of Clad Side (AWS Classification Numbers)

AISI-Type or Alloy Class	For Covering Exposed Steel with First Pass or Layer	For Complete Balance of Weld
405	E309	E309
410	E309	E309
430	E309	E309
304	E309	E309 or E308
321	E347	E347
347	E347	E347
309	E310	E309
310	E310	E310
316	E316	E316
317	E317	E317
Low Carbon-Nickel	ERNi-3	ERNi-3
Nickel	ERNi-3	ERNi-3
Monel	ERNiCu-7	ERNiCu-7
Inconel	ERNiCrFe-5	ERNiCrFe-5
Cupro-Nickel	ERNiCu-7	ECuNi

surface. Welding current, voltage, and speed of travel should be set to produce a weld with minimum penetration.

## HOW TO HANDLE SPECIAL JOINTS

Sometimes it is not possible in a structure to weld clad steels from both sides. When this is the case, backing strips can be used to allow welding through the composite thickness (Fig. 13-46).

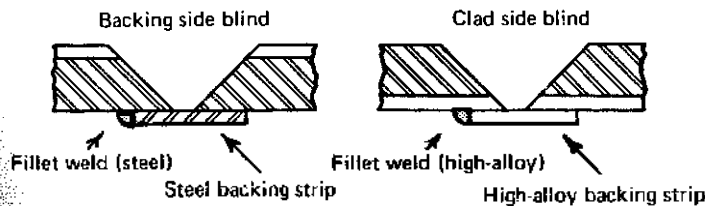


Fig. 13-46. Backing strips enable welding through the composite thickness when one side of the joint is "blind."

When the clad material is on the blind side, a backing of the same analysis as the cladding is used, and when the steel side is blind, a steel backing strip is used. The backing strips are attached to one of the plates by fillet welds from appropriate electrodes.

When the clad side is blind, high-alloy weld metal must be used for the entire joint. When the steel side is blind, steel electrode may be used up to 1/16 to 1/8-in. from the cladding, followed by high-alloy electrode.

Wherever possible, corner joints in clad steels should be eliminated and formed sections as shown in Fig. 13-47(E) used in the design. Separate pieces of clad steels can then be joined by butt welds, which are more desirable from both the fabrication and structural standpoints.

If corner joints must be used, Fig. 13-47 shows the arrangements likely to be encountered. Figure 13-47(A) is the least desirable arrangement, since the continuity of backing is destroyed and an unfused area exists. It should be welded with appropriate high-alloy electrode from both the inside and outside. Such a joint should be permitted only in regions where stresses are negligible.

The joint in Fig. 13-47(B) may be welded from the clad side first with high-alloy electrode, followed by back-chipping the outside and welding the remainder of the joint with high-alloy electrode — or the steel side may be welded first with steel elec-

trode, followed by back-gouging from the inside and finishing the weld with high-alloy electrode. The joints (C) and (D) should be welded throughout with appropriate high-alloy electrode, with the clad side welded first, followed by back-gouging or grinding before welding from the steel side.

## WELD DEFECTS

Since clad steels are most commonly used to give a corrosion-resistant surface to a structural material, the weld will be defective from the application sense if it fails to maintain the corrosion resistance of the cladding or if it fails to maintain the mechanical properties of the backing metal. Defects that would be regarded of little importance in ordinary mild-steel fabrication are of major concern with clad corrosion-resistant materials. Departure from correct procedures can result in welds of both poor mechanical and chemical properties.

Undercutting is a main source of trouble, assuming the proper electrodes are selected and the proper procedures followed. A slight amount of undercut of the cladding can appreciably reduce the thickness of it at that point and drastically reduce the service life of the product. Even a minute area of reduced protection or no protection to a surface that must withstand a corrosive environment is destructive to the whole product. Undercutting, of course, also reduces the fatigue strength. When undercuts are detected, they should be covered with weld metal.

Incomplete penetration and lack of fusion of the weld metal may lead to the initiation of cracks in the unfused area, and porosity on the weld surface may be a focal point for corrosion. Porosity occurring in clusters in the weld may be caused by excessive current, arc instability, inadequate slag removal, moisture on the electrode, improper groove preparation, or improper electrode manipulation.

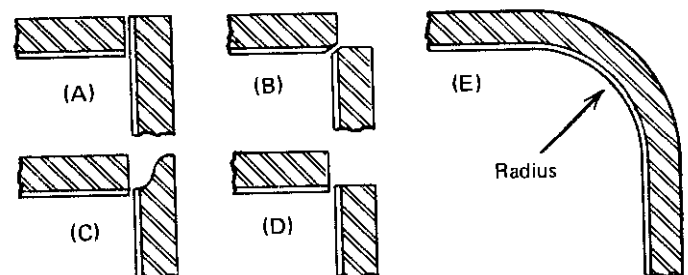


Fig. 13-47. Types of corner joints encountered in clad-steel fabrication.



**PREHEATING AND STRESS RELIEF**

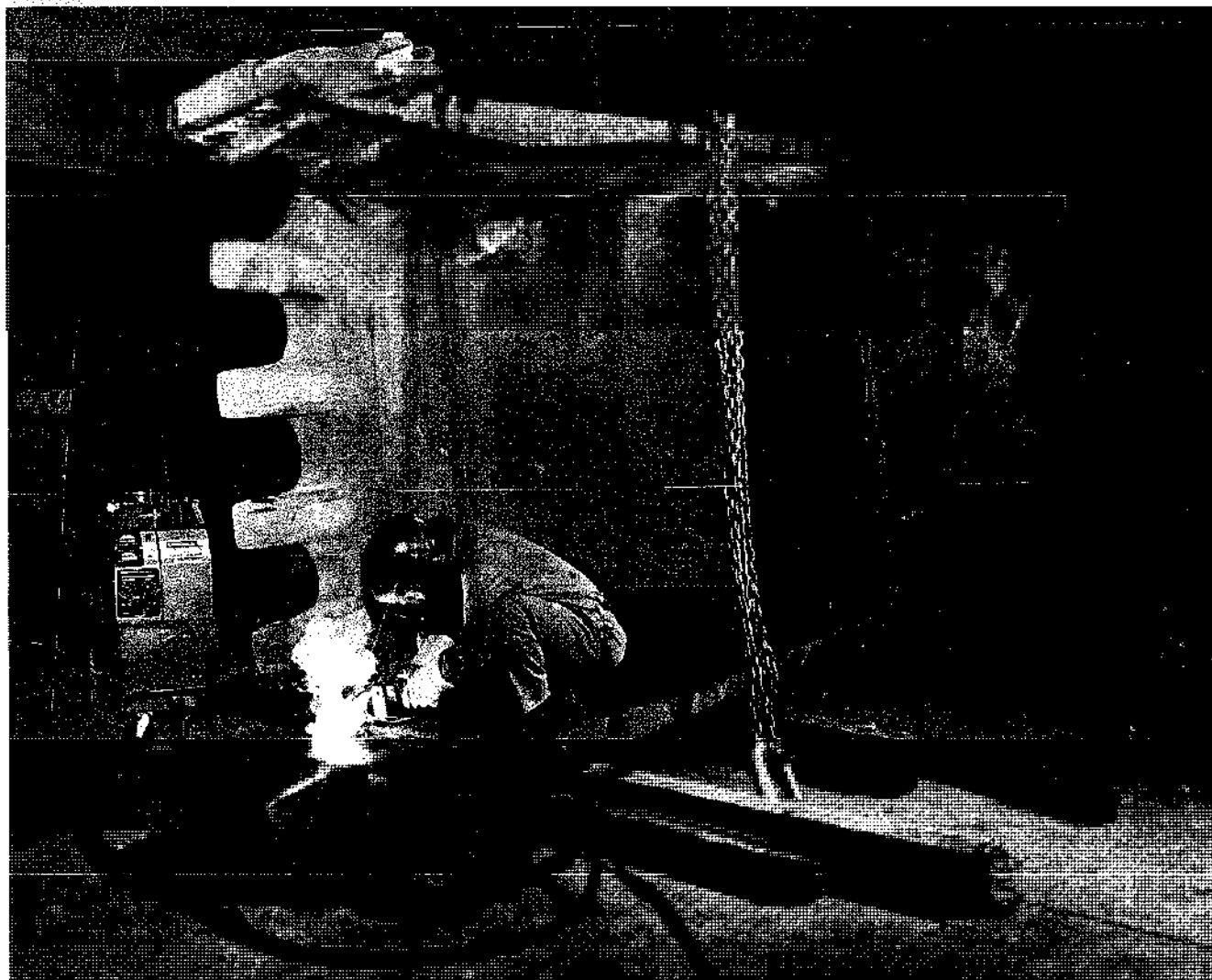
Preheating is a requirement determined by the nature of the backing steel. It is usually necessary for the successful welding of alloy backing materials, such as A302, A204, and A387 (see Section 3.3). The heating requirements for clad steels are normally the same as for solid plate.

Stress relieving may be done to remove stresses induced by welding, to restore toughness to the backing metal in the heat-affected zone, to impart low-temperature toughness to the deposited weld metal, or to give dimensional stability to the welded structure prior to a subsequent operation, such as machining. Stress relief may be a requirement of the code governing the fabrication; thus, the ASME Unfired Pressure Vessel Code, Section VIII, specifies

stress relief based on the gage and specifications of the backing steels.

The 300-series stainless steels are subject to carbide precipitation during a stress-relief heat treatment. The effect can be minimized by the use of the stabilized or extra-low-carbon grades. When the low-carbon grades of Types 304 or 316 are used, the stress-relieving temperature should be no higher than 1050°F.

The 400-series clad stainless steels should be stress relieved in the range of 1100-1350°F. A temperature range of 1150-1200°F may be used to stress relieve clads of Monel, Inconel, nickel, copper, and cupro-nickels. A low-carbon grade of a nickel clad should be used if the weldment is to be stress relieved or used at elevated temperature.



Using a semiautomatic welding process on a dragline bucket.

# Hardsurfacing By Arc Welding

Often, the prime requirement of a metal part is that it have exceptionally good resistance to wear, corrosion, or high temperatures. Rather than make the entire part from some expensive wear-resistant, corrosion-resistant or temperature-resistant alloy, it is more economical to make it from an ordinary steel and then cover the critical surfaces with a layer of weld metal capable of withstanding the service conditions. The application of a durable surface layer to a metal is called hardsurfacing, and a simple way to apply hardsurfacing materials is by arc welding.

There are various materials that can be used for hardsurfacing, and selecting the one best suited to a particular application involves balancing cost against performance, as in the selection of any engineering material. Two AWS specifications that pertain to hardsurfacing are *Surfacing Rods and Electrodes, A5.13-70* and *Composite Surfacing Rods and Electrodes, A5.21-70*.

Although some materials are hardsurfaced to improve their resistance to corrosion or high temperatures, by far the most common reason for hardsurfacing is to improve wear resistance. Hardsurfacing for wear resistance will be the main consideration in the following text, with corrosion resistance and elevated-temperature resistance alluded to where they are also factors in the selection of welding materials. Wear is encountered primarily in two forms. An abrasive or galling type of wear occurs when two surfaces rub or slide over one another, and an impact or spalling type of wear occurs when a surface is subjected to repeated blows or impingement.

## HARDSURFACING MATERIALS

Hardsurfacing materials tend to be suited to specific types of wear. For example, resistance to abrasive wear generally requires extremely hard materials that also happen to be somewhat brittle and thus not particularly resistant to impact or chipping. On the other hand, high resistance to impact is best provided by ductile or malleable materials that, in turn, are not particularly resistant to severe

abrasive wear. There are, however, some hardsurfacing materials that provide a compromise between these two qualities.

The major hardsurfacing materials are discussed in the following text, and, except for copper alloys and the tool and die steels (which have specialized applications), are presented in order of decreasing hardness. This means that, in general, they are also presented in order of decreasing abrasion resistance and increasing impact resistance.

The relative hardness and abrasion resistance of most of these materials are plotted in Fig. 13-48, which provides a graphical indication of their primary application areas. Thus, materials in the upper right portion of the graph are most resistant to abrasive or frictional types of wear, while those in the lower left portion provide maximum resistance to impact or spalling.

### Tungsten Carbide

Tungsten carbide is the hardest and generally the most abrasion-resistant of all hardsurfacing materials. It is, thus, best suited to applications requiring exceptional resistance to abrasion and is commonly used on the surfaces of tools for cutting earth or rock. It is particularly well suited to digging in sandy formations, where a coarse form of tungsten carbide is used so that as the hardsurfacing wears it leaves a rough, fast-cutting edge.

This material is also used to protect machine parts that come into contact with severely abrasive material. Screw conveyors, for example, are often hardsurfaced with tungsten carbide. This material is *not* recommended for protecting both surfaces in sliding contact, because the wear pattern is not smooth enough for bearing-type applications. The surface finish is similar to that of fine sandpaper.

For hardsurfacing, tungsten carbide consists of tungsten carbide crystals embedded in an iron-base alloy. This form of tungsten carbide is a cast material and is not to be confused with the sintered (or cemented) carbides used for metal-cutting tools. The sintered form cannot be fusion welded. Hardness of the deposit cannot be measured directly on the Rockwell C scale, because the bonding alloy has

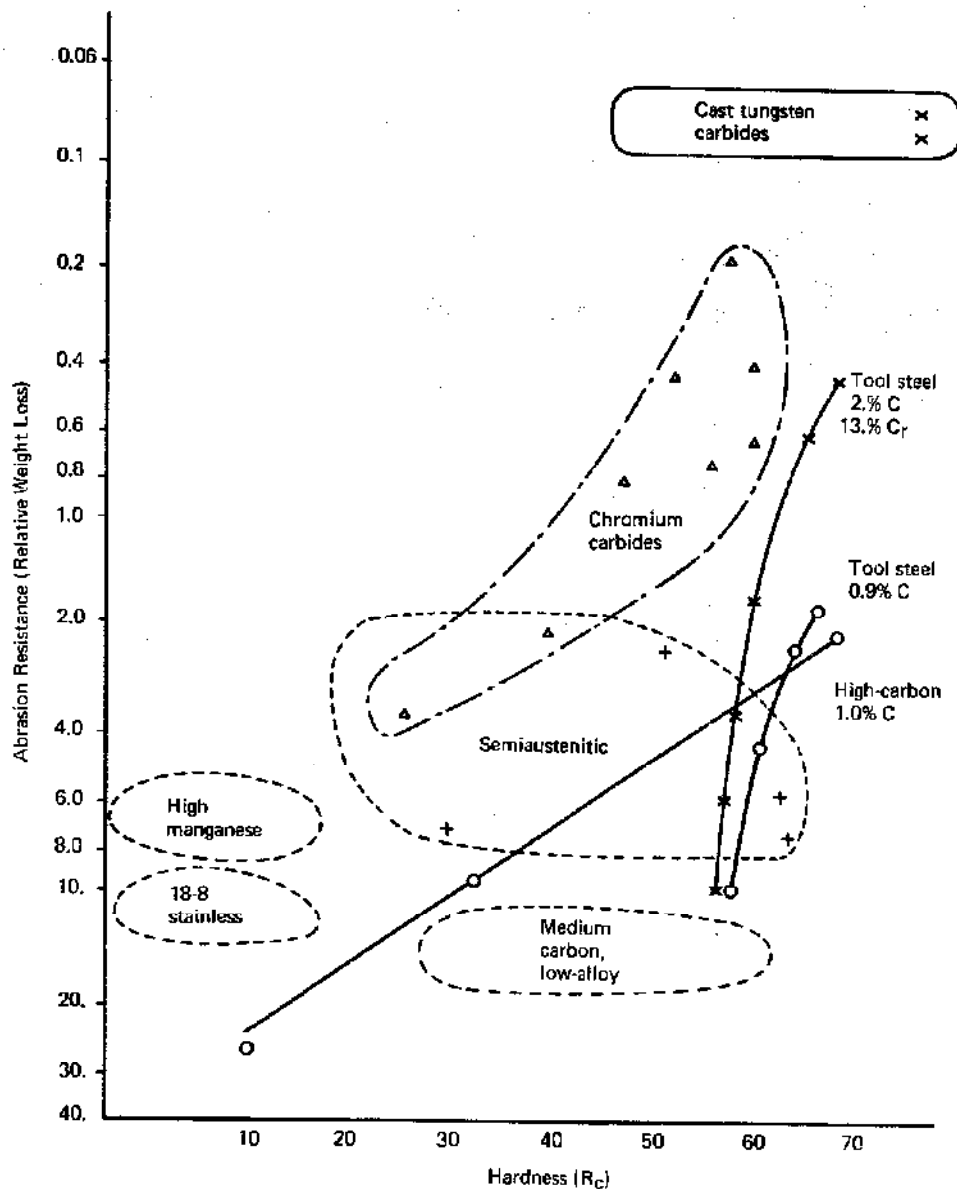


Fig. 13-48. Hardness and abrasion resistance of common hardsurfacing materials.

a relatively low hardness, and the tungsten carbide particles have a high hardness. Metallurgists use a different procedure in evaluating the hardness of such materials, and hardness values when given are on the Rockwell A scale.

Hardsurfacing electrodes are made by encasing the cast tungsten carbide and tungsten-carbon alloy in powder form within mild-steel tubes. During deposition, the steel tube dissolves some carbon and tungsten from the tungsten carbide particles. As deposited, the tungsten carbide is thus embedded in a tungsten-iron or steel.

### Chromium Carbides

Chromium-carbide hardsurfacing materials are surpassed in hardness and abrasion resistance only by the tungsten carbides. But the chromium car-

bides, being slightly softer, are slightly superior to tungsten carbide for impact resistance. Chromium carbides are, nevertheless, still considered to be hard, brittle materials compared to other hardsurfacing materials. They are extremely resistant to wear and abrasion, but do not provide much resistance to chipping, spalling, or damage from impact.

The applications for chromium carbide are generally the same as those for tungsten carbide, except that chromium carbide may also be used where its good corrosion resistance is a desirable property. Typical applications are coatings for earth-cutting tools, for machine parts exposed to abrasive materials, and for chutes and slides that convey ores or other materials not likely to impose significant impact loads.

There are dozens of specific hardsurfacing alloys

TABLE 13-26. Ferrous Chromium Carbide Hardsurfacing Deposits

	Typical Chemistry* (%)					Typical Hardness † (Rc)			
	C	Mn	Si	Cr	Mo	Single Layer Room Temperature	Multiple Layer Room Temperature	Multiple Layer 1000°F	Multiple Layer 1500°F
Manual Electrodes									
Max. abrasion	4.2	5.4	0.70	22.5	0.25	40 – 52	50 – 58	38	30
Abrasion with mild impact	4.5	1.0	1.0	18.5	6.0	45 – 55	55 – 64	49	38
Submerged-arc, alloy flux	3.8	0.9	0.5	29.0	1.2	53 – 58	58 – 61		

\* Two layers in mild steel

† Deposits on mild steel

TABLE 13-27. Nonferrous Chromium Carbide Hardsurfacing Deposits

	Typical Chemistry* (%)					Typical Hot Hardness (Rc)			
	C	Si	Cr	W	Co	Room Temperature	650°F	1050°F	1400°F
Max. abrasion	3.2	0.8	26.0	13.5	53.0	43 – 58	36 – 46	30 – 37	51 – 54*
Abrasion with mild impact	1.1	1.5	29.0	5.5	62.0	23 – 47	26 – 40	19 – 32	15 – 50*

Note: Chemistry and hardness values are for multilayer deposits with manual electrodes

\* Rockwell A

TABLE 13-28. Semiaustenitic Steel Hardfacing Deposits

	Typical Chemistry* (%)					Typical Hardness (Rc)	
	C	Mn	Si	Cr	Mo	Single Layer	Double Layer
Impact and abrasion Manual Electrode	2.1	1.1	0.75	6.5	0.4	24 – 53	28 – 53
Submerged-arc, alloy flux	0.95	2.5	1.8	7.0	0.75	36 – 60	32 – 60

\* Double Layer

within the chromium carbide group. Some of these are ferrous-based, and some are based on cobalt or tungsten. The ferrous chromium carbide alloys (Table 13-26) are too hard to be machined and provide excellent resistance to wear by abrasion. They also maintain high hardness at elevated temperatures. Tong tips for handling hot ingots are often faced with chromium carbide.

The nonferrous chromium carbides (Table 13-27) are often referred to by the term "Stellite," a proprietary trade name. Applications for the nonferrous types are similar to those of the ferrous, but the nonferrous chromium carbides are more resistant to some types of corrosion. However, they also are more expensive than the ferrous types and are

not quite as abrasion-resistant. A newer form of nonferrous chromium carbide electrode, having a wrought-cobalt core wire, can be deposited much more easily than the conventional cast electrode.

Chromium carbides generally are nonmagnetic. The deposits are not affected by heat treatment, thus cooling rate has no effect on wear resistance. The materials develop a smooth surface with wear and can, thus, be used to protect surfaces in sliding contact. Bearings for use at high temperatures or in corrosive environments are often faced with chromium carbide. Deposits typically range in hardness from 40 to 63 Rockwell C. For each material, there is a combination of carbon and alloy content that gives both good abrasion resistance and impact

strength. An off-balance material, however, may have low resistance to abrasion and also may be brittle. Some electrodes are designed to produce good hardsurfacing deposits when diluted with steel, that is, they provide a one-layer deposit that is resistant to abrasion and to cracking. The best non-ferrous chromium carbide electrodes deposit metal that features high hardness (54-63 Rockwell C) and very high abrasion resistance.

Admixture of base metal into the weld metal reduces abrasion resistance and increases impact resistance of the first layer. Thus, for maximum abrasion resistance, two layers should be used, with low current employed on the first layer to minimize admixture. Since the deposits are somewhat brittle, deposit thickness should be limited to no more than two layers to minimize the possibility of spalling. The workpiece surface should be prepared carefully, and underbead cracking should be avoided.

### Semiaustenitic Steels

The semiaustenitic alloys can be thought of as intermediate between the hardest and the toughest hardsurfacing materials. They provide a balanced combination of good wear resistance and good impact resistance and probably are the most widely used of all hardsurfacing materials. The deposits are either hard as deposited or become hard with peening impact in service. They are also hardenable by heat treating.

These alloys are iron-based materials that contain up to 20% alloying elements. The varieties most commonly used have from 1 to 2% carbon and from 5 to 12% chromium (Table 13-28). The name for these materials comes from the fact that the alloy, principally austenitic as deposited, remains only semiaustenitic upon cooling. Various metallurgical structures are possible, depending upon the specific composition of the deposit and its cooling rate.

If the deposit cools quickly (small electrode, short beads, and base metal cold before welding), the deposit will be predominantly austenitic and, thus, will be soft and tough. Slow cooling, however,

does not impair wear resistance. Also, the surface will work-harden. For example, a material that is 30 Rockwell C as deposited will become more than 50 Rockwell C after moderate peening.

If the deposit cools slowly (large electrode, continuous welding, or preheated base metal), most of the austenite has time to transform to martensite, and the deposit will be less ductile. Both types of deposit work-harden to the same final value.

This group of alloys is machinable with tungsten carbide tools after a long anneal at high temperatures. Some of the alloys can be hot-forged. Although there is a wide range in hardness in this group, abrasion resistance does not vary greatly. Some of the alloys that are hard as deposited are not as resistant to grinding abrasion as some of those having a much lower hardness. The alloys that work-harden are superior for service involving a combination of impact and abrasion.

Two-layer deposits are generally recommended, except with certain submerged-arc processes that produce good wear resistance with one layer. If machining is required, the deposit must be annealed, machined, and then heat treated.

Some alloys of this group may tend to lift or peel away from the substrate upon cooling, particularly when the base metal has less than 0.15% carbon. This is caused by a highly brittle zone that forms between the base metal and weld metal. The transformation and shrinkage stresses then promote cracking and peeling. This effect can be minimized by slowing the cooling rate with a 300°F preheat, and by peening each bead while it is hot. Also, the first layer can be deposited with high current and fast travel as a series of stringer beads separated by small gaps. The high admixture that results avoids a brittle zone. The second layer is then applied conventionally.

### Austenitic Manganese Steels

The austenitic manganese-steel hardsurfacing materials (Table 13-29) are tougher and slightly less abrasion-resistant than the semiaustenitic materials,

TABLE 13-29. Austenitic Mn Steel Hardsurfacing Deposits

	Typical Chemistry * (%)					Typical Hardness* (Rc)	
	C	Mn	Si	Ni	Mo	As-Welded	Work Hardened
Severe impact Manual electrode	0.62	14.2	0.15		1.15	17 - 20	43 - 48
Self-shielded flux-cored electrode	0.65	13.5	0.5	2.6	0.5	10 - 15	35 - 45

\* Multiple layers on Mn Steel

and are considered to be extremely good alloys for resistance to impact. A typical application might be for coating an ore chute where large rocks may occasionally strike the chute with great force.

The deposit normally contains from 11 to 14% manganese and is work-hardenable. Worn manganese-steel parts often are built up nearly to size with austenitic manganese-steel electrodes, and then are coated with a thin layer of semiaustenitic steel to enhance the abrasion resistance. There is not much variation in the hardness or the abrasion resistance of austenitic manganese deposits. Most deposits contain about 1.0% carbon and some molybdenum or nickel. High-manganese deposits are not recommended for resistance to grinding abrasion but are superior for resistance to a combination of severe impact and abrasion.

The required alloy content of the overlay can be deposited easily without special precautions. Admixture of a manganese-steel base metal into the weld metal has no effect on wear resistance. Admixture of carbon steel into the weld metal can reduce wear resistance slightly. Two-layer deposits are recommended for best performance. Cooling rate has no effect on wear resistance, nor does heat treating have any effect on machinability or wear resistance. Prolonged heating above 500°F, however, may embrittle manganese steel base metal.

Spalling is rarely encountered with these deposits, especially if the surface is prepared properly and if thick deposits are peened after each layer is applied. There is the possibility, however, that prolonged or repeated heating of manganese-steel base metal over 500°F may promote embrittlement and spalling. Thus, heat input should be limited by such techniques as keeping preheat to 70°F (except when a 100 to 200°F preheat may be needed to prevent cracking of a massive part), by using skip welding, or by employing low welding currents. Because weld metal has a lower carbon and silicon content than manganese-steel base metal, the deposit generally does not become embrittled.

### Austenitic Stainless Steels

Though not "hard" materials in the generally accepted sense, austenitic stainless steels are grouped with hardsurfacing alloys because this type of stainless steel provides an extremely tough, ductile coating with exceptionally good resistance to chipping from repeated impact forces. These deposits also provide good corrosion resistance. Such coatings typically are used to protect water-turbine blades from corrosion and cavitation erosion. The E300 series stainless steels work-harden, but not to the extent of the manganese steels. Abrasion resistance is higher than that of high-carbon steel of the same hardness.

Stainless steel deposits are sometimes used as base layers for other hardsurfacing materials. For example, an initial layer of stainless avoids a brittle bond that otherwise would develop between a carbon-steel base and a manganese-steel coating. E308 and E312 electrodes are usually used for these base layers. E312, being a higher alloy than E308, is less affected by admixture of the base metal.

### Martensitic Stainless Steels

Types 410 and 420 stainless steels (Table 13-30) produce dense, homogeneous weld metal with good resistance to cracking. For best results the deposit should be at least two layers thick, and preferably should be three or more layers thick.

Type 420 must be finished by grinding if a machined finish is required. Type 410 can be machined with carbide tools at slow cutting speeds. The deposits usually are used in the as-welded condition.

These stainless steel deposits are widely used for metal-to-metal wear, such as that encountered with bearings operating at elevated temperatures and with rolls used in steel mills. A typical application is a deposit for a backup roll on a hot-rolling mill.

### Heat-Treatable Steels

Several types of heat-treatable steels are used as

TABLE 13-30. Martensitic Stainless Steel Hardsurfacing Deposits

	Typical Chemistry * (%)				Typical Hardness (Rc)		
	C	Mn	Si	Cr	Single Layer	Double Layer	Multiple Layer
Type 420	0.23	1.1	0.9	13.0	45 - 47	49 - 51	52 - 54
Type 410	0.08	1.1	1.0	12.5	38 - 40	37 - 40	30 - 32

\* Three-layer deposit by submerged-arc.

hardsurfacing materials, (Table 13-31). These steels produce hard, abrasion-resistant surfaces if the deposit is cooled quickly, or they produce a softer, tougher deposit if allowed to cool slowly. Hard deposits can be softened by annealing. These materials are commonly used for surfacing or for building up parts prior to hardsurfacing by other alloys.

**High-Carbon Steels:** The cooling rate of high-carbon steel must be rapid to produce maximum abrasion resistance. At best, the high-carbon steels may rival some of the chromium carbides, but if cooled slowly the deposit is less abrasion-resistant.

The abrasion resistance of high-carbon weld deposits increases with hardness. The maximum ductility and impact resistance for a given hardness is obtained by quenching and tempering, however, heat treated properties may be approached by welding alone. To achieve such results, use minimum preheat and deposit the weld metal in small stringer beads or thin layers. Before depositing the next bead or layer, allow sufficient time for the high-carbon weld metal to transform to martensite. Using this procedure, each bead tempers the martensite of the previous bead and the weld as a whole approaches the quenched and tempered condition.

Published hardness values are normally for multilayer deposits applied manually, but the hardness of single-layer welds, which are influenced more by admixture with the base metal, may be higher or lower than that of multilayer deposits. This effect depends on the hardenability of the weld metal. A low-carbon electrode deposited on high-carbon steel produces a medium-carbon weld metal.

It is possible to have a combination of analyses that produces an exceptionally hard deposit. For example, a low-carbon but high-alloy base metal, when surfaced with a high-carbon electrode, produces weld metal that is high in carbon and has absorbed enough alloying elements to produce

higher hardenability than either a multilayer high-carbon deposit or the low-carbon high-alloy base metal.

**Medium-Carbon Alloy Steels:** These materials are most often used to provide protection against metal-to-metal wear, and for building up steels before they are surfaced with the carbide types of hardsurfacing alloys. Though these alloys have low abrasion resistance, some of them have exceptionally high tensile strength and ductility, and thus resist deformation and cracking from impact.

The chemical analyses of this group range from 0.15% carbon with a total of 2.0% chromium, manganese, molybdenum, silicon, and other elements, on up to 0.5% carbon with 5.0% alloying elements. Hardenability increases with alloy content; the as-welded hardness on preheated work is higher than can be obtained with high-carbon deposits. The lower limit on carbon restricts the maximum hardness obtainable, but also increases impact resistance. The metal-arc deposits are air-hardenable and, in the as-welded condition, have high toughness and good abrasion resistance.

A low-alloy content in the deposit reduces abrasion resistance, but increases impact strength. On some deposits, normal procedural variations do not change alloy content significantly, while with other deposits the alloy content can be varied easily by altering procedures.

Admixture has little effect on multiple layer deposits. However, admixture may raise the carbon or alloy content in the first layer on medium to high-carbon steel and on some low-alloy steels. High admixture also may lower the first-layer alloy content with substrates of low-carbon steel.

Slow cooling increases the impact strength of medium-carbon alloy steel deposits and also improves the machinability of some deposits. For best machinability, deposits should be annealed (and

TABLE 13-31. Heat-Treatable Hardsurfacing Deposits

	Typical Chemistry * (%)						Typical Hardness (Rc)		
	C	Mn	Si	Cr	V	Mo	Single Layer	Double Layer	Multiple Layer
Manual †	0.16	1.15	0.80	1.4			15 - 20	18 - 23	23 - 28
Submerged-arc †	0.24	1.20	0.70	1.8		0.30	25 - 32	30 - 43	34 - 45
Submerged-arc ¶	0.10	2.50	0.30	2.8	0.15	0.30	34 - 39	39 - 42	39 - 42
Manual ¶	0.37	2.20	0.15	3.3			40 - 45	48 - 52	50 - 55

\* Three-layer deposit on mild steel

† Deposits can be machined with carbide tools without annealing if welded with proper procedures.

¶ Must be annealed before machining

then heat treated after machining).

**Tool and Die Steels:** Hardsurfacing with these alloys is commonly used to repair worn edges or surfaces of tools and dies and for applying durable wearing surfaces to dies made up of low-cost alloys such as mild steel. Electrodes for these applications generally are of either the chromium-type or molybdenum-type, although some tungsten-types are also available (Table 13-32).

The chromium-type consists of general-purpose alloys that provide a balanced combination of properties. These alloys are generally used when die temperatures are not expected to exceed 600°F. For cutting tools and other high-temperature operations, the molybdenum types are used. These alloys, commonly referred to as high-speed tool steels, retain full hardness at temperatures to about 1000°F. The molybdenum high-speed steel is the type most commonly used as an electrode.

### Copper Alloys

Copper alloy overlays are used primarily to provide bearing surfaces for sliding metal-to-metal contact, and for corrosion resistance. The copper-based materials used primarily are aluminum bronze, phosphor bronze, and silicon bronze. Pure copper is seldom used.

Aluminum bronze provides a good bearing surface against steel and has fairly good corrosion resistance. Phosphor bronze, although not as hard as aluminum bronze, also makes a good bearing surface and resists corrosion. Silicon bronze has poor bearing properties and is used only for corrosion resistance.

For best results, if applied to steel the copper-based overlays should be applied in three layers to reduce admixture in the final deposit. Total thickness of the deposit should not be less than 1/4-in. after final machining. Deposits are readily machined, unless there is excessive admixture of iron base metal, which causes hard spots.

## SELECTING HARDSURFACING ALLOYS

The choice of hardsurfacing alloy depends in part on the reason for applying the deposit. Nearly

all applications can be categorized in one of three classes: 1. A cutting edge is to be maintained. 2. A single surface is to be protected without regard for maintaining a sharp edge. 3. Two surfaces in sliding contact are to be protected.

Selection of an alloy also depends on the nature of the service creating the need for hardsurfacing. Wear-producing conditions usually result from some combination of: 1. Abrasion or erosion from sliding contact. 2. Impact or chipping forces. 3. Loss of hardness or strength from extreme heat. 4. Corrosion or other chemical effects.

### Selecting To Maintain a Cutting Edge

Selection of an alloy to maintain a cutting edge depends upon whether the primary concern is to minimize over-all wear while maintaining the cutting edge, or whether the objective is merely to maintain a sharp edge without particular concern for tool wear. A metal-cutting tool, for example, must maintain shape and length as well as sharpness, while the efficiency of earth-cutting tools, on the other hand, is not particularly impaired by nominal dimensional wear so long as the edge stays sharp.

Hardfacings of tool steel and high-speed steel are recommended where dimensional features as well as sharpness are to be maintained. Typical applications are shear blades, punches, and metal-cutting tools where the cutting edge must not only stay sharp, but must maintain its initial size and shape to perform satisfactorily. Failure of these parts usually is by upsetting, chipping, spalling, or galling — caused by high compressive loads and by the flow of metal being cut. Impact and abrasion are seldom problems.

High-speed steel is applied where high temperatures are encountered, while the less expensive tool steels are applied for service below 600°F. Deposits of either of these alloys are homogeneous and fine-grained. They can thus be ground to a sharp thin edge that resists upsetting or chipping.

Entirely different materials are recommended if dimensional wear is not of concern. Typical applications of this type are earth-scraping tools, earth-drilling bits, ensilage knives, and shredder blades.

An important aspect of this class of hardsurfacing is the principle of self sharpening. If a wear-

TABLE 13-32. Typical Tool and Die Steels

	C	Cr	Mo	W	V
Cr-Type	0.35	5.0	1.5	1.5	0.4
W-Type	0.70	4.0	—	18.0	1.0
Mo-Type	0.85	4.0	5.0	6.2	2.0



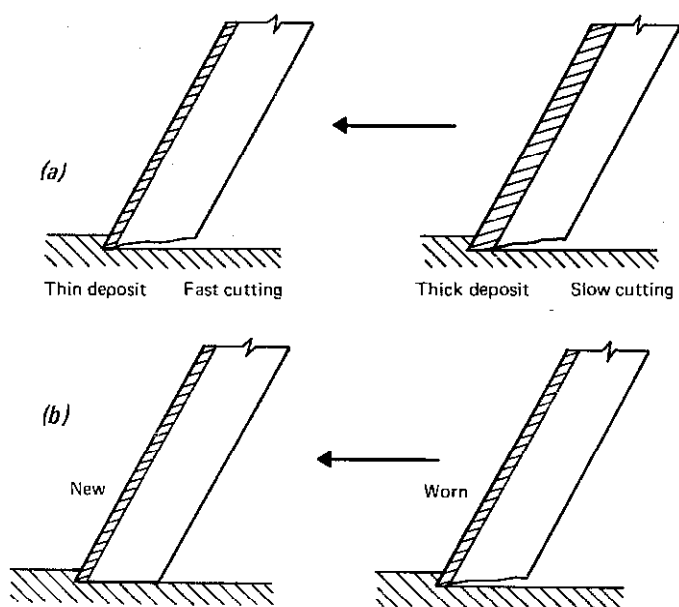


Fig. 13-49. Producing a self-sharpening surface by hardfacing. A thin, wear-resistant advancing surface (a) promotes a wear pattern that tends to maintain a sharp front edge. A thin, hard coating (b) provides fast cutting but short life, while a thick deposit provides longer life but slower cutting.

resistant coating is placed only on the advancing edge of the tool, the back surface wears away at a greater rate and thus tends to promote a sharp cutting edge as shown in Fig. 13-49. Rate of wear and sharpness of the cutting edge are both inversely proportional to the thickness of the hardfacing. Thin deposit provides a sharp, fast-cutting tool that wears relatively fast, while a thicker deposit wears more slowly but provides a duller edge. If both front and back sides of the tool are hardfaced, the tool tends to dull rapidly and soon begins to slide over rather than cut into the earth or workpiece.

In this class of applications where sharpness rather than dimensional wear is of main concern, carbide materials are often selected. Coarse particles of tungsten carbide provide longest life for earth-cutting tools used in highly abrasive sandy formations. As the bonding material in the hardfacing wears away, coarse particles of tungsten carbide are exposed to produce a rough, fast-cutting edge. Fine carbide deposits are preferred where smoother wear patterns are required as with various types of knives.

Chromium carbides are used on cutting edges where abrasive conditions are not particularly severe and where a lower-cost material is preferred. These materials readily self-sharpen and provide smoother, lower-friction edges than those of tungsten carbide.

Neither tungsten carbide nor chromium carbide are suited to applications where high impact loads occur. The semiaustenitic and austenitic manganese

steels provide longest life for edges subjected to chipping and impact. Edges protected by these materials are not self-sharpening, but wear to a rounded contour that is tough and ductile. Tungsten carbide and chromium carbide tend to chip away from dipper teeth handling large rock. But austenitic manganese or semiaustenitic deposits work-harden and, thus, become resistant to abrasion, while impact forces are cushioned by the softer metal below the surface.

### Selecting to Protect a Single Surface

The need to protect a single surface accounts for the largest number of hardfacing applications. The objective is to prevent wear of the surface without regard for a cutting edge or for wear on a contacting surface. It may be desirable to have a low-friction surface that polishes well (a plowshare or moldboard, for example), or a rough high-friction surface (dredge stud clamps) may be preferred.

Chutes for conveying bulk materials are commonly hardfaced. In general, hard materials such as chromium carbide are preferred if fine-grained ores or earth are being conveyed without large rocks or other objects that could cause impact. Semiaustenitic or manganese steels are preferred if heavy bulky pieces are being dumped onto a chute or if other service demands are likely to produce high impact forces.

Screw conveyors and earth-drilling tools are normally protected by hard materials such as the carbides. Stainless steels are used to provide corrosion resistance and protection against erosion in water pumps, and for applications requiring good impact resistance.

### Selecting To Protect Contacting Surfaces

This type of application normally entails metal-to-metal wear under various combinations of abrasion, impact, friction, and corrosion. The surfacing material must wear smoothly, have a low coefficient of friction, and have little or no tendency to seize or gall. One type of hardfacing definitely not suitable for this class of application is tungsten carbide.

Often one surface requires more protection than the other. In such cases, one surface may be coated with bronze while the other surface is not coated. The bronze then wears sacrificially, thereby protecting the other surface.

High-carbon electrodes are used to build up shafts that are to operate with lubrication. The high-carbon deposit when machined or ground pro-

vides a smoother surface than is readily obtainable with a mild-steel electrode deposit. Bearings operated at elevated temperatures are surfaced with the chromium carbides, the stainless steels, and the high-chromium and nickel alloys.

Parts operating under corrosive conditions are protected by surfacing with chromium carbides and some of the stainless steels. Chromium carbide facings also give good service on parts operating in sand or mud. Rubber, though obviously not applied by welding, is quite wear-resistant and is a good wearing material for journals and bushings used underwater. Steel shafts give long service when they run in rubber bearings and are lubricated with water to keep out sand and mud.

Galling is the major problem in nonlubricated metal-to-metal contact. Two alloys of identical type are more prone to seize or gall than two different materials, probably because the materials are alike in chemical analysis or in surface condition. Two alloys that provide good service underwater and fair service in sandy mud may soon chew each other up when they are run dry. Soft iron alloys are more likely to gall than harder ones, and rough surfaces gall more readily than smooth ones.

A running-in period with lubricant is recommended for freshly machined or ground surfaces because they often have irregularities that intermesh and produce tears that promote seizing.

### Practical Considerations in Selection

A tough, ductile hardsurfacing material may be specified for a new application where no prior experience exists. With a tough material, any failure that may occur is likely to be gradual rather than catastrophic. The semiaustenitic steels are recommended for such initial trials. If these materials hold up without chipping or impact fracture, one of the tougher chromium carbides might be used on the next trial. Progressively harder alloys could then be tried to improve abrasion resistance.

Examination of prior hardsurfacing failures provides valuable clues to selecting a superior material. However, meaningful information can be gained by examining a part that is only partially worn, since a totally worn part often tells very little about the way the wear progressed. For example, it may be impossible to determine whether hardsurfacing was worn away by abrasion or by impact if no hardsurfacing material remains on the part.

Also, it is often less costly to refinish a part while it is only partially worn instead of waiting until it is severely worn. The reason is that rate of

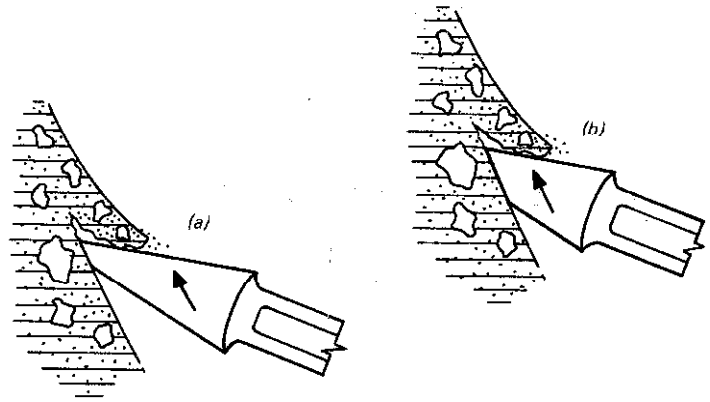


Fig. 13-50. Configuration where rate of wear increases as wear progresses. Minimal bulk material is abraded from slightly worn dipper tooth (a), but increasingly larger amounts of bulk material are removed (b) as advancing edges wear, because more wearing surface is exposed to the abrading action of earth flow.

wear often increases as wear progresses. A rock that scratches a dipper tooth, for example, will remove only a small amount of surface material if it abrades against hardsurfacing. But if the hardsurfacing is worn away, the same rock will likely create a large gouge in the tooth, thereby requiring expensive rebuilding of underlying metal prior to hardsurfacing. Self-sharpening blades in particular, where hardsurfacing is applied only to the advancing edge, should be hardsurfaced regularly (Fig. 13-50) to avoid excessive wear of the softer blade material.

The hardsurfacing job may have restrictions that narrow the field of possible surfacing materials. Examples are where:

- The deposit must be machinable as welded. This requirement eliminates all materials except the medium-carbon, low-alloy types. The machinability of a medium-carbon deposit depends on the rate of cooling; preheating must be used on large members to provide a deposit that is readily machinable. Deposits of austenitic manganese steel, chromium carbide, and stainless steel can be finished by grinding. The possibility of using an alloy that requires grinding should always be considered, for the increased life may more than offset the higher finishing costs.
- The deposit is to be machined, but may be annealed after welding and then hardened after finishing. This requirement increases the number of deposits that may be used. Possible surfacing materials are high-carbon tool steel and some of the low-carbon, low-alloy types. Materials that should not be used include stainless steel,

chromium carbides, tungsten carbides, and high-manganese steel.

- The part and the deposit are to be hot-forged. This requirement eliminates the tungsten carbides and the chromium carbides. The high-carbon and medium-carbon deposits are forgeable at red heat and are also ductile enough to be straightened and forged to some extent after quenching for hardening. These steels form hard martensite when quenched, but the transformation does not take place until the work has cooled to 300 or 200°F. The part may be taken from the quenching bath at 400-500°F and then straightened or forged a small amount while it is still in the ductile austenitic state. If then cooled in air or in the quenching bath, it will be just as hard as if it had been given a complete quench. It may also be tougher, for the martensite is given more time to form.
- A cutting edge is required for cutting or turning steel. This specification necessitates the use of a material with high hardness, high red hardness, and a high edge strength. The field is limited to one of the high-speed tool steels or a tungsten carbide insert.
- The deposit must have maximum resistance to grinding abrasion. Tungsten carbides or chromium carbides are likely to be best for this requirement. Chromium carbides are preferred if low cost is important.

## METHODS FOR DEPOSITING HARDSURFACING

Arc welding processes are generally preferred for hardsurfacing for reasons of speed and low cost. However, some hardsurfacing is still done by oxyacetylene processes. The arc processes used are simply counterparts of the methods used to join metals, except that hardsurfacing electrodes are used in place of other welding electrodes or filler wires. In submerged-arc hardsurfacing, alloy elements can be added to the deposit by the flux. Carbon-arc processes are also used.

On steels that are sensitive to overheating, such as austenitic manganese steel, the oxyacetylene and gas tungsten-arc processes should be avoided. Other steels and other surfacing materials may be hardsurfaced by the oxyacetylene or gas tungsten-arc processes as well as the metal-arc processes.

The oxyacetylene and the carbon-arc processes are used for small, delicate parts and where only a

thin layer of surfacing is to be applied. Coal cutter bits, for example, often are hardsurfaced by oxyacetylene welding.

Either the oxyacetylene or the carbon-arc process is recommended to deposit nonferrous chromium carbide alloys in cases where the surfacing must be iron-free. By careful manipulation, the alloy may be sweated to the steel base metal and welded without penetration or alloying with the steel. Corrosion resistance and abrasion resistance are lowered when these alloys are diluted with iron.

A possible drawback of metal-arc processes for hardsurfacing is the deep penetration they produce. The more the base metal is melted, the greater the alloying of the deposit with the base metal. Deep penetration is usually a disadvantage since it increases the thickness of the hardsurfaced deposit. The total amount of hardsurfacing is the build-up from the surface plus the penetration below. If the amount of build-up is limited, then deep penetration may be desirable.

In most cases, the first layer of surfacing has lower abrasion resistance but more resistance to impact than the undiluted alloy. This gives a gradual change from the base metal to the hardsurface. But diluted surfacing may produce brittle alloys, as sometimes occurs when carbon steel is deposited on austenitic manganese steel.

Hardsurfacing alloys containing boron should be deposited with an oxyacetylene torch, and care must be taken to prevent the formation of the brittle iron-boride crystals.

Manual hardsurfacing for repair or renewal of worn surfaces is usually done by metal-arc welding and coated or bare electrodes. Semiautomatic and automatic hardsurfacing techniques are often used on large volume production or for protection of large contact areas, such as tread-type tractor idler rolls, or where composite hardsurfacings must be provided on new equipment.

## Control of Properties

Once a specific hardsurfacing deposit is selected, the alloy content and cooling rate of the deposit must be carefully tailored to provide the desired abrasion resistance and impact properties. Alloy content is determined primarily by the material selected, the procedures employed to lay the deposit, and by the resulting admixture of deposit and base metal. Important procedural considerations are:

*Surface Preparations:* Remove grease and oil with a solvent, and remove rust and dirt by wire-

brushing. If contaminants are not removed, they can cause porosity, cracking, and poor deposit quality. For a good bond between base metal and weld, use arc-gouging or grinding to remove cracks, the remains of old high-alloy hardsurfacing deposits, or badly work-hardened or distorted surfaces. Fill cracks, gouges, and surface depressions by manual welding.

**Preheating:** Most hardsurfacing does not require preheating, except for bringing the part to a room temperature of 70-100°F. Medium to high-carbon and low-alloy steels may require higher preheat to prevent underbead cracking, weld cracking, spalling, or stress failure. Higher preheat is needed for massive or rigid parts and when cracking actually is encountered. Parts are normally preheated by gas or oil torches, ovens, or electrical heating devices. The particular method used depends upon the size of the part and the equipment available. Preheating is of no benefit if the part cools before welding.

Always be sure the area to be surfaced is at the specified preheat temperature before starting to weld. Sometimes it is advisable to check the temperature of the part during welding to be sure it has not cooled. More heating may be needed if welding is interrupted. Interpass temperature — the temperature of the surface when welding all layers except the first — is just as important as preheat temperature and should usually be as high as the preheat. (Special care should be taken to avoid overheating manganese steel.)

**Build-up:** Some hardsurfacing deposits are limited to two or three layers, therefore badly worn surfaces are normally rebuilt to within 3/16-3/8 in. or original size before hardsurfacing. The electrode for the preliminary build-up usually should have a strength similar to the base metal.

**Pattern of Deposit:** Pattern of deposition usually is not important. However, these guidelines can be applied:

- The best pattern is usually the one most economical to apply.
- The pattern affects shrinkage stresses and can thus be used to help control distortion and cracking tendencies.
- A pattern with openings between beads is acceptable if the openings fill with abrasive material in service.
- For roller applications, beads placed on the rolls across the flow of material help pull material through the rolls, for example, rock crusher rolls.

- Beads placed parallel to the flow of abrasive material smooth the flow and thereby reduce wear.

**Admixture and Cooling Rate:** Small beads made with small electrodes and low currents have fast cooling rates and low admixture. Using two layers reduces admixture in the final layer.

Although cooling rate affects wear resistance of some deposits, it has a much greater effect on the control of spalling, cracking, and distortion. Therefore, a slow cooling rate may be required to reduce these undesirable effects even if wear resistance is reduced as a result.

Methods of controlling cooling rate include:

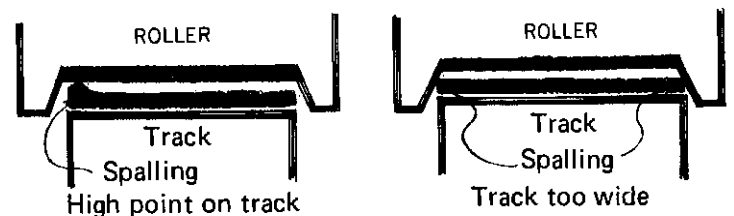
- Providing adequate preheat.
- Utilizing heat input from the arc or flame during hardsurfacing.
- Insulating the hot part immediately after hardsurfacing with dry sand, lime, or an asbestos blanket. This method helps minimize residual cooling stresses, weld cracking, and distortion but does not affect wear resistance of most deposits. Large parts draw heat away from the weld more quickly than small parts and thus cool the weld faster.

### Avoiding Spalling

Spalling is the breaking of weld metal particles away from the base metal or underlying hardsurfacing layers. The broken pieces may vary in size from small chips to large chunks that expose the base metal. To avoid spalling:

**Prepare the Surface:** As in production welding, hardsurfacing welds must have a sound crack-free bond with the base metal. Such bonds are obtained when the workpiece surface is clean and all cracks and surface damage are repaired.

**Avoid Underbead Cracking:** Rapid cooling from welding temperature can cause brittle, crack-sensitive heat-affected zones in some base metals.



**Fig. 13-51.** Conditions that promote spalling. High points on a rough deposit or a bead higher than the rest of the deposit (a) absorb a disproportionate amount of load and may thus tend to break away. Mismatched mating surfaces or improper alignment (b) produce load concentrations that promote wear or fracture in the coating.

These zones tend to crack in service and thus lead to spalling. Proper preheating is the surest way to avoid this problem.

**Limit Deposit Thickness:** Applying hardsurfacing in thick deposits builds up shrinkage stresses that promote spalling. Do not use more hardsurfacing layers than specified for each type of deposit. If thicker welding is required, rebuild before hardsurfacing. Peen each layer of thick build-up to relieve stresses.

Other causes of spalling are presented in Fig. 13-51.

### Avoiding Underbead Cracking

Underbead cracks are small cracks that may occur in the heat-affected zone of the base metal under the weld. The cracks do not usually show on the surface but can promote spalling or cracking in the deposit.

The tendency for underbead cracking depends primarily upon the carbon and alloy content of the base metal. It is independent of the type of weld deposit when low-hydrogen processes or electrodes are used. Electrodes that are not the low-hydrogen type may require 100 to 300°F higher preheat than other build-up or hardsurfacing electrodes. However, welding with these electrodes on hot build-up layers usually avoids problems. All build-up and hardsurfacing should be completed without long delays to keep the part hot.

The easiest way to prevent underbead cracking is to slow the cooling rate by preheating. Always be sure the part is up to room temperature (70-100°F) before welding or use higher preheats if specified for the particular base metal.

### Recommended Preheats

**Low-Carbon Steel:** Materials with carbon contents of approximately 0.10 to 0.30% are only slightly hardenable, thus preheating above room temperature is rarely needed. However, heavy, massive, or rigid parts containing more than 0.20% carbon should be preheated to 100 to 300°F.

**Medium-Carbon Steel:** Materials of 0.30 to 0.45% carbon are moderately hardenable, especially in large parts and heavy sections. Preheats to 300-500°F are recommended for higher carbon contents and for large, rigid, or complex parts.

**High-Carbon Steel:** Materials of approximately 0.45 to 0.80% carbon are highly hardenable and crack-sensitive in all sizes and shapes. Preheat to 500-800°F, using the higher temperatures for the higher carbon contents and for large, rigid, or com-

plex shapes. When carbon content is near 0.80%, deposit a "buttering" layer with E7018 electrode (or with a mild-steel submerged-arc flux and electrode) prior to depositing build-up or hardsurfacing layers. The buttering layer minimizes the danger of underbead cracking and provides a good bond between base metal and hardsurfacing deposits.

**Low-Alloy Steel:** These steels vary from medium hardenable to highly hardenable, depending upon carbon and alloy content. Preheat to 100-500°F, using the higher temperatures for higher carbon and alloy contents and for large, rigid, or complex shapes. Preheat temperatures up to 800°F or a buttering layer may be required if the carbon content is over 0.35%.

**Manganese Steel:** Steels containing 12 to 14% manganese are not particularly hardenable or crack-sensitive. Preheat is not often required. But if parts are massive or highly rigid, preheat to 100-200°F. Prolonged heating over 500°F can cause embrittlement, so avoid high localized heating. On small parts, avoid high localized heating by using a skip welding technique.

**Cast Iron:** This material is extremely crack sensitive. The heat-affected zone may be full of cracks even with preheat temperatures of 1200-1400°F. Therefore, hardsurfacing cast iron is generally uneconomical. If it must be welded, follow standard cast-iron welding precautions.

### Avoiding Stress Failure

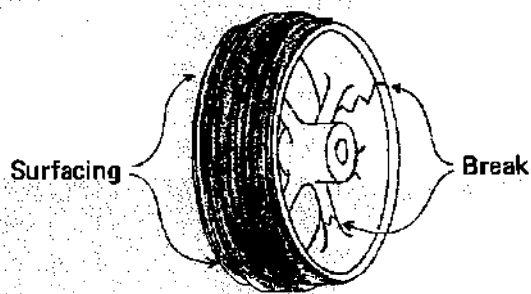
Some parts contain high retained internal stresses. When welding stresses are added to these retained stresses, the part can fracture.

Several typical failures are shown in Fig. 13-52. Such failure can occur near the weld or at any weak point in the part, and is most commonly encountered when hardsurfacing:

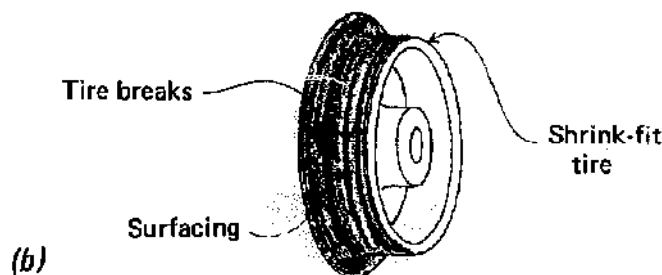
- Highly rigid parts. (Massive parts and complex shapes are inherently rigid.)
- Shrink-fit parts.
- Some large castings, particularly when they are made of medium to high-carbon steel or medium-carbon low-alloy steels.
- Parts hardened by heat treatment.

The danger of stress failure can be minimized by:

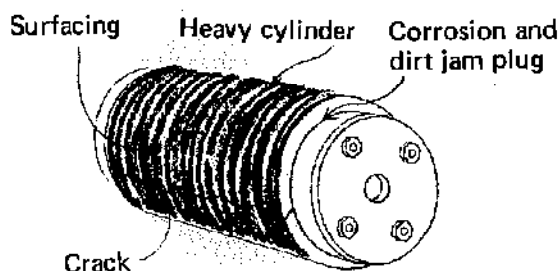
- Preheating slowly to the high side of the temperature range specified for the particular type of base metal. This preheat should be as uniform as possible. Shrink-fit parts should be preheated



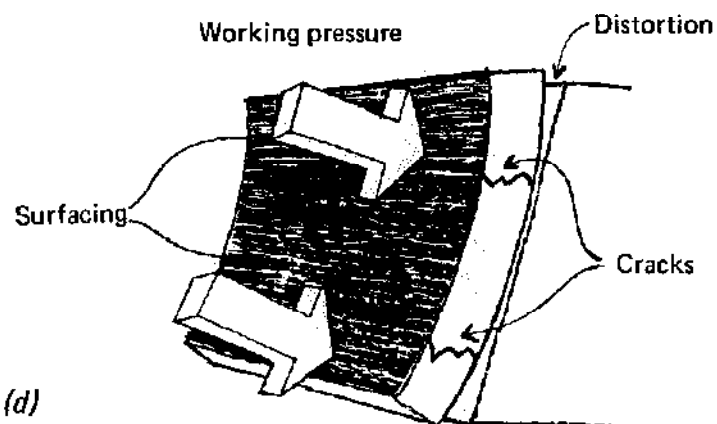
Tractor idler—complex shape is inherently rigid. Preheat to prevent stress failure at any weak point.



Mine locomotive wheel—shrink-fit tire is highly prestressed. Expand by preheating to prevent stress failure of the tire.



Crusher roller—massive size and jammed end pieces cause extreme rigidity. Loosen through bolts and expand the roll with preheat to loosen plugs.



Jaw crusher—if distortion leaves crusher plate unsupported at the ends, working pressure causes bending stresses that can lead to failure.

**Fig. 13-52.** Typical part failures encountered with hardsurfacing. Complex shapes (a) frequently have weak sections easily fractured by thermal stresses. Special precautions are advised in shrink-fit parts, (b). Cracks can be avoided in crusher rolls (c) by loosening bolts and expanding the roll by preheat. Distortion may leave working surfaces unsupported (d) so that service stresses produce cracks.

until they are loose. (Manganese steel requires a lower temperature because it has a higher coefficient of expansion.)

Controlled-atmosphere annealing and slow cooling to the specified preheat temperature parts that have been hardened by heat treatment.

Arranging the welding schedule so it can be completed without long interruptions.

Cooling the part slowly and uniformly. This can be done by covering the part with a blanket of asbestos, glass, or some other insulating material, or by cooling in a furnace.

### Avoiding Weld Cracking

**Transverse or Cross Cracking:** Hardsurfacing deposits for resisting severe abrasion commonly cross-crack. This cracking is beneficial because it relieves stresses that could otherwise cause spalling or distortion. The cracking does not impair the wear resistance of the deposit, but it can be minimized by

preheating to 1200°F. In other types of deposits, cross cracking can be detrimental. It generally occurs in parts that are massive, rigid, or of complex shape. The preheating used to prevent underbead or stress-failure cracking will also minimize cross cracking.

**Longitudinal or Center-Line Cracking:** This type of cracking is associated with poor bead shape and is caused by making the bead too flat. Several measures help avoid this problem:

- Use a stringer-bead or minimum weaving technique and low current.
- Be sure fillet welds are slightly convex.
- Use submerged-arc surfacing with the weave-bead technique. (Center-line cracking does not often occur with submerged-arc because the high heat input of the process assures sufficiently slow cooling.)
- With submerged-arc hardsurfacing, decrease the stepover (or increase the bead overlap) enough

to remelt the center of the previous bead.

- When submerged-arc surfacing on roundabouts, set the correct electrode displacement from the center line.

### Avoiding Distortion

Distortion in welding is caused principally by the unbalanced stresses that result from expansion of the metal during heating and from contraction during cooling. These stresses and their effects are uneven both in strength and direction. They depend on many factors.

In many cases the amount of workpiece distortion resulting from hardsurfacing is negligible. Consequently, clamping the part in position for welding is the only precaution needed. In some cases the part is hardsurfaced oversize to allow for distortion. It is then machined or ground to size. This method is most often used on parts that must be machined or ground to finish after surfacing. Sometimes the part is allowed to distort and then straightened while still hot enough to bend without cracking.

Where distortion forces must be controlled, the following methods may be used:

- Preforming can be employed with flat pieces and with thin or simply shaped parts. Here the part is bent, formed, or clamped with the proper preset before welding. The distortion forces then pull the part back to its original shape, Fig. 3-7.
- Stresses may be balanced in parts that cannot be straightened after welding (where the increased rigidity does not cause underbead cracking). In this method, two similar parts are welded or clamped back to back. Welding is then alternated back and forth from one part to the other. Or the parts may be welded or clamped to a strongback, fixture, or platen, Fig. 3-7.
- Limit the temperature of the part, particularly when high rigidity could cause cracking. This can be done by a number of methods. One is to distribute the heat evenly by first welding one area, then welding a different area as the first cools. Another is to reduce the heat input by using a procedure with low current. Yet another is to remove some of the heat by blowing air over the part or by circulating water through copper jacket clamped to the surface, Sec. 3.1.
- Relieve stresses, especially with large parts, rigid shapes, shrink-fitted parts, and other highly stressed pieces. This can be done by peening each layer during cooling, a practice most effec-

tive with deposits designed for impact or abrasion and impact. Another way to relieve stress is to preheat the entire part slowly and uniformly, Sec. 3.1.

- Use a cross-cracking deposit, namely those designed for resistance to severe abrasion. The cracks minimize distortion by relieving stresses.

### HARDSURFACING WITH ALLOY FLUXES

As mentioned previously, alloy fluxes can be used with mild-steel or alloy electrodes when hardsurfacing with the submerged-arc process to give the desired alloy composition in the weld deposit. By combining various alloy fluxes with various types of electrodes and changing procedure variables to change the melt-off rates and penetration, a wide range of properties can be developed in the weld metal. The use of an alloy flux gives the most flexible and least expensive method of controlling weld chemistry. In many instances, a mild-steel electrode with an appropriate alloy flux will give the desired hardsurfacing properties at the minimal cost.

The alloy fluxes used are referred to as "agglomerated" alloy fluxes. Agglomeration is the process of mixing properly formulated, finely ground particles together with a binder and drying to give a homogeneous mass. The properly sized grains of flux produced from this mass have identical chemical constituency; the alloy particles cannot settle out or separate from the individual grains during shipping or use. Agglomerated alloy fluxes for hardsurfacing are produced in low-alloy, medium-alloy, medium-high alloy, and high-alloy types.

When using these fluxes with mild-steel electrodes, carbon and alloy content of the deposit is increased as:

- The welding current is decreased.
- The arc voltage is increased.
- The carbon or alloying content of the base metal is increased.
- The electrode size is increased.
- Welding speed is decreased.
- The bead overlap is increased.
- The number of layers up to and including three is increased.

### Low-Alloy Hardsurfacing Flux

With mild-steel electrode, a typical low-alloy type of hardsurfacing flux produces a machinable

deposit of fair to good abrasion resistance and excellent impact resistance. The deposit, depending on the procedure, can be machined either with carbide or high-speed tools. It will produce a dense deposit less sensitive to cracking than a high-carbon deposit of the same abrasion resistance. A typical two-layer deposit made with this flux and 0.12%C mild-steel electrode will have 1.5-2.5 times the abrasion resistance of a machinable hot-rolled medium-carbon steel and up to twice the abrasion resistance of a deposit made with SAE 6150 wire and mild-steel flux.

This flux with mild-steel wire is ideal for both build-up and hardsurfacing. Different deposits can be obtained by varying the arc voltage. Machinable deposits or built-up deposits, as required on tractor rollers and idlers, are easily obtainable at the low-voltage setting (28V). After the work is built up to within two layers of gage, a hardsurfacing deposit of required abrasion resistance and hardness can be made simply by increasing the arc voltage to 32 volts. Thus, it is possible to build-up and hardsurface without flux or wire change. The deposit is magnetic at room temperature and has a consistent hardness. The hardness, depending on the procedure, will range between 33 and 57 Rockwell C. This martensitic-type deposit is a low-carbon alloy steel, which may be annealed or which may be quenched from above the critical temperature to harden.

The weld metal is typically an alloy of carbon, manganese, silicon, chromium, molybdenum, and vanadium.

The flux and mild-steel wire may be used wherever a smooth, dense, crack-free, machinable deposit is required. Typical applications include rolls used in processing steel, kiln rollers, crane wheels, rams, and rollers and idlers on tread-type tractors.

### Medium-Alloy Hardsurfacing Flux

The deposit made with mild-steel wire and medium-alloy flux is useful wherever smoothness and minimum porosity are the essential requirements in the particular alloy range. A minimum of two layers is recommended for good abrasion resistance. The deposit is a good selection for applications wherever metal-to-metal wear exists. A typical deposit is magnetic at room temperature, and, with recommended procedures, has a consistent hardness of 44-53 Rockwell C. It is heat-treatable with normal heat-treating practices.

The impact strength may be increased by reheating a multilayer deposit from room temperature to some predetermined temperature up to

1050°F and holding at that temperature 1 hour for each inch of thickness without sacrificing hardness or abrasion resistance at room temperature.

For all practical purposes, the hardness, abrasion resistance, and deposit analysis change only very slightly after the third layer. A typical weld deposit is an alloy of carbon, manganese, silicon, chromium, molybdenum, and vanadium.

This flux and 0.12%C mild-steel electrode are recommended for:

- (a) Deposits to be forged, such as plow share blanks.
- (b) Metal-to-metal wear, such as tractor rollers, idlers, and extruder rams.
- (c) Smooth deposits without porosity and underbead cracking, such as steel-mill roughing rolls that do not require machining.

### Medium-High-Alloy Hardsurfacing Flux

The deposit made with 0.12%C mild-steel electrode and medium-high-alloy flux should be used where a single-layer deposit of high abrasion resistance and good impact strength is required. Base metal should not contain over 0.60% carbon. This flux is recommended for fabricated parts, such as scraper blades, and to produce multiple-layer deposits requiring high abrasion resistance, such as required on crusher rolls, whether originally made from carbon steels, manganese steels, or cast iron.

A typical deposit is magnetic, semiaustenitic at room temperature, and has, with recommended procedures, a consistent hardness. A broad range of 36 to 62 Rockwell C can be developed by controlling the weld metal analysis and the cooling rate. It is dense and forgeable, but is nonmachinable and can be finished to size only by grinding. The deposit is heat-treatable by following normal heat-treating practices.

As with medium-alloy flux, the impact strength may be increased by reheating the multilayer deposit from room temperature to some predetermined temperature up to 1050°F and holding at that temperature 1 hour for each inch of thickness without sacrificing hardness or abrasion resistance at room temperature. The hardness, abrasion resistance, and deposit analysis change only very slightly after the third layer.

The deposit is typically an alloy of carbon, manganese, silicon, chromium, and molybdenum.

### High-Alloy Hardsurfacing Flux

When used with a mild-steel electrode, a typical



high-alloy flux produces a high-carbon, high-alloy weld deposit. It is recommended for fabrication and maintenance of wearing parts where the service involves severe abrasion under medium impact or high compression loads. It may be used for abrasive service at temperatures up to 1100°F.

The microstructure of the deposit is composed of complex chromium carbides and some secondary carbides in a chromium-iron matrix. Deposit will have a hardness of 53 to 61 Rockwell C, cannot be torch-cut or forged, and retains hardness and resistance to scaling at high temperatures. It will not respond to heat treatment; resists galling and seizing, but will cross-crack on cooling, thereby minimizing locked-up stresses and warpage. It will retain a high polished surface when subjected to metal friction or earth scouring. Hardness and abrasion resistance are unaffected by cooling rates normally encountered in welding.

High-alloy flux and mild-steel wire are used for hardsurfacing crusher rolls and rings of various types used in the coal, rock, cement, and clay industries; mixer parts used in the rubber industry; lining the inside of catalyst towers and piping; lining baffle plates in refinery equipment; lining the inside of ball mills; and in many similar applications in the extractive and processing industries.

#### Single Submerged-Arc Hardsurfacing Procedures

Most hardsurfacing submerged-arc fluxes are designed to be used with mild steel electrodes. The alloying elements are in the flux, and when the flux is melted the alloys blend with the molten electrode and base metal to produce an alloy deposit.

The recommended power source is DC variable voltage, although DC constant voltage or AC variable voltage can be used.

Almost any automatic or semiautomatic wire feeder can be used, but it should be equipped with good meters.

DC negative (straight polarity) is recommended for the best deposition rate and less penetration into the base metal. AC or DC positive (reverse polarity) can be used, but the deposition rate and buildup are lower and the alloy content of the deposit tends to be slightly higher.

The electrical stickout should be about 1 in. with a flux depth just enough to prevent flash-through of the arc.

Select a travel speed that produces weld beads that are sound, well shaped, and of the desired width and thickness. With a single arc and stringer bead technique, the travel speed should be within

the range listed below:

Flux	Electrode	Travel Speed, ipm
Low to medium-high-alloy	5/64 through 3/16	15-40
High-alloy	3/32 through 5/32	25-35

As discussed earlier, the alloy recovery in the weld deposit can be varied by changing the welding procedure. Once a satisfactory weld deposit has been obtained with a certain procedure, it is necessary to follow strictly to that procedure in order to get consistent results. Accurate meters are necessary to measure voltage and current so the procedures can be reproduced consistently.

Typical procedure guides are given in Fig. 13-53 for high-alloy recovery and low-alloy recovery. Each line of a guide represents a constant alloy recovery for a given electrode size. Further, all lines in the guide provide the same constant alloy recovery. For a small increase in alloy recovery, select a procedure above the line. For a small decrease in alloy recovery, select a procedure below the line. For a large change in alloy content of the deposit, use a different flux or a different procedure guide.

#### Twin-Electrode and Oscillating Submerged-Arc Hardsurfacing Procedures

Many flat parts are economically hardsurfaced with single submerged-arc stringer beads. However, wider and more economical beads are possible with automatic heads equipped to feed twin electrodes and which have mechanical attachments to oscillate the arc to produce a wide bead.

Automatic heads can be equipped to feed two electrodes (5/64, 3/32, 1/8 in.) through one set of drive rolls into one weld puddle. For the same penetration into the base metal, higher welding current can be used on twin electrodes than on a single large electrode. This can increase the deposition rate as much as 50%.

Twin electrodes used on an oscillating welding head produce smooth beads up to 4 in. wide with a minimum of admixture. Typical procedures are given in Table 13-33 and the welding is illustrated in Fig. 13-54.

Adjust oscillation speed as needed to improve bead appearance. Decrease oscillation speed to increase buildup at the center of the bead. Increase

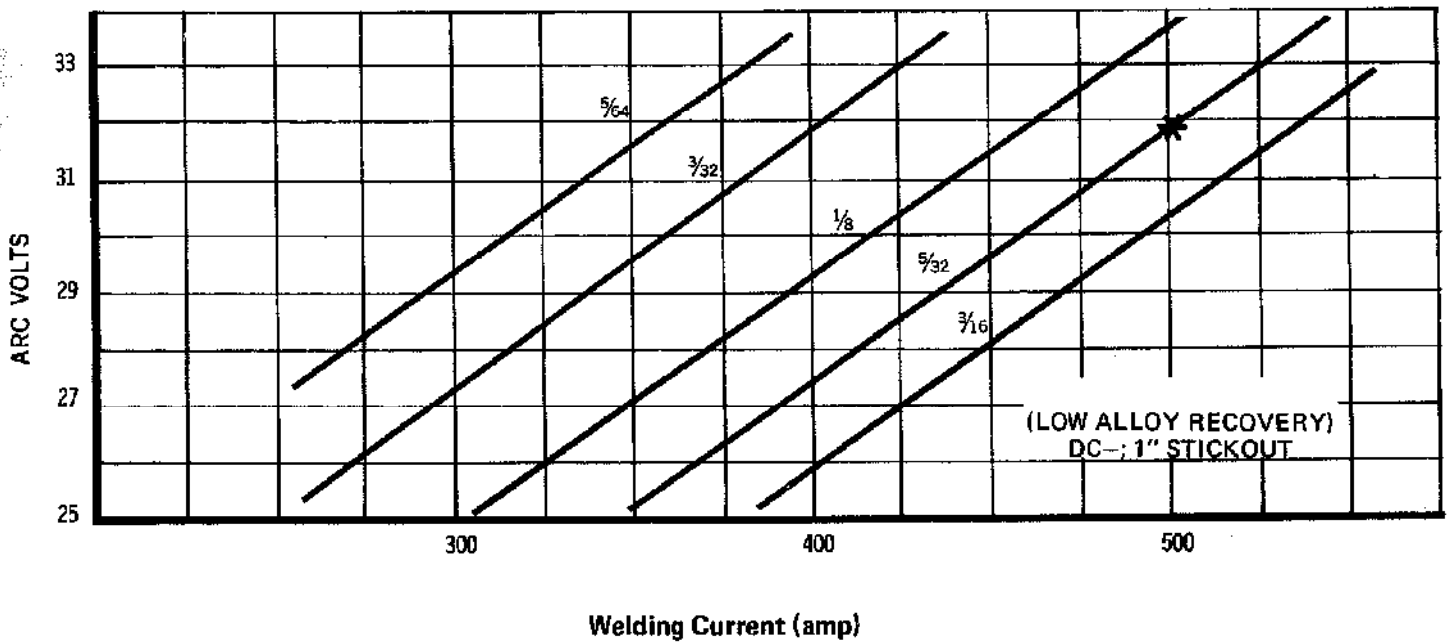
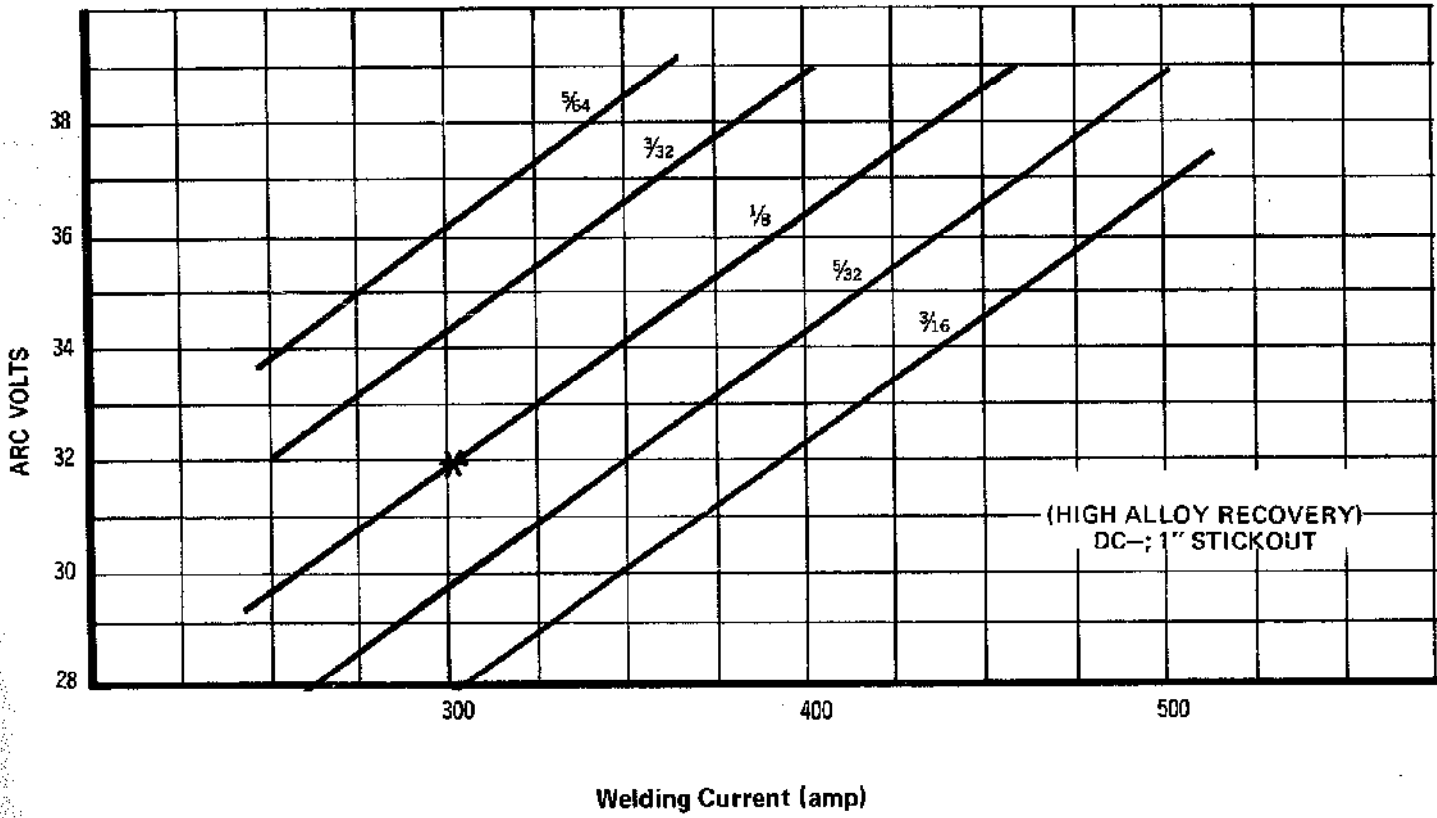


Fig. 13-53. Typical procedure guides for high and low-alloy recovery.

TABLE 13-33. Typical Procedures with Twin-Electrode Welding Head

Flux	Bead Size		Wire Spacing in.	*Oscillations per min.	Current DC—amp	Volts	Travel Speed ipm	Min. Plate Thickness in.
	Width in.	Thickness† in.						
Low-Alloy	2	1/8 — 5/32	5/8	30	700	32	8 — 9	5/16
Medium-High-Alloy	4	1/8 — 3/16	5/8	15	800	35	5	3/8
High-Alloy	3	3/16 — 1/4	3/8	20	700 — 750	33	4.5	3/8

\* One oscillation is a complete cycle over and back.

† Thickness is for one layer. Use one layer only for high-alloy flux. Two layers can be used for medium-high-alloy flux. More than two layers can be used for low-alloy flux.

DC positive may also be used but the buildup will be less.

Electrode is 1/8-in. mild steel. (See Table 4-11, Classification EL12)

oscillation speed to eliminate rough or scalloped edges. Always be sure the work is level.

Oscillating with a single electrode limits bead width to 3 inches. The bead tends to be rougher and has much greater admixture. With a single electrode, make two complete oscillations before starting forward travel.

### Circumferential Submerged-Arc Hardsurfacing Procedures

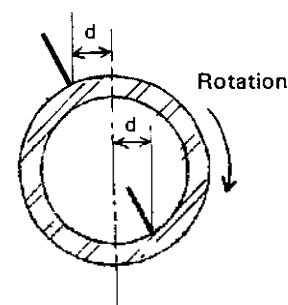
In circumferential hardsurfacing, 3-in.-diameter and larger cylindrical objects are rotated under the welding head. The welds differ from those made in the flat position in that the flux and molten metal tend to sag or spill off the work.

To prevent spillage or bead distortion, the weld must solidify as it passes the vertical center of the part. (See Fig. 13-55).

Recommended circumferential hardsurfacing voltage, current, and off-center distance ranges are

given in the tables below. Speed also must be carefully controlled to make the small beads of proper shape. For a thorough description of circumferential submerged-arc welding, refer to Section 6.3.

**Threading:** The temperature of the work should be kept below 700°F for easy slag removal and control of spilling. In addition to depositing small beads and using air jets or water cooling (when practical), temperature can be controlled by depositing a stringer bead like a screw thread along the work. Fill the space between beads with successive welds. (See Fig. 13-56).



Approximate Displacement (d) of the Electrode

Girth Diameter (in.)	Electrode Position "d" (In. ahead of vertical center)
3 — 18	3/4 — 1
18 — 36	1-1/4 — 1-1/2
36 — 48	1-1/2 — 2
48 — 73	2 — 2-1/2
over 18	3

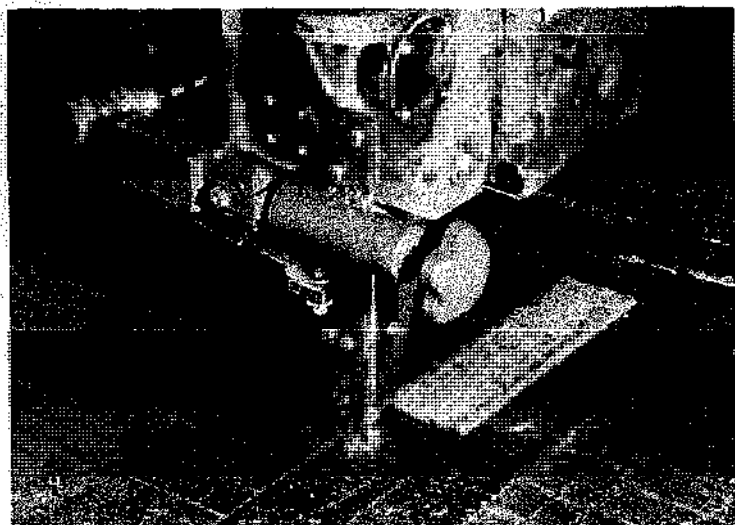


Fig. 13-54. Typical hardsurfacing weld bead made with submerged-arc alloy flux, twin electrodes, and oscillating the arc.

**Overlap:** The amount one bead overlaps the adjacent bead affects both admixture of base metal into weld metal — greater overlap reduces admixture — and appearance of the finished weld. Control overlap by adjusting the amount of longitudinal travel with each revolution.

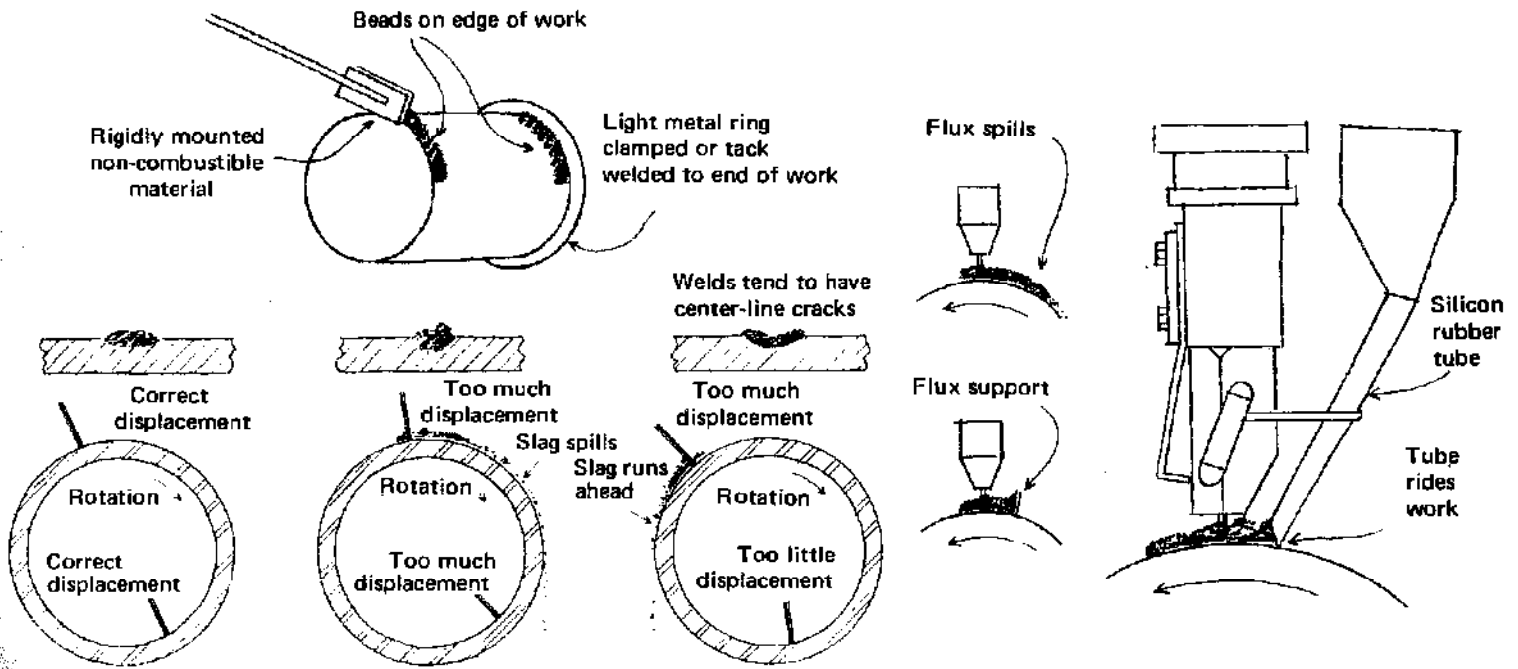
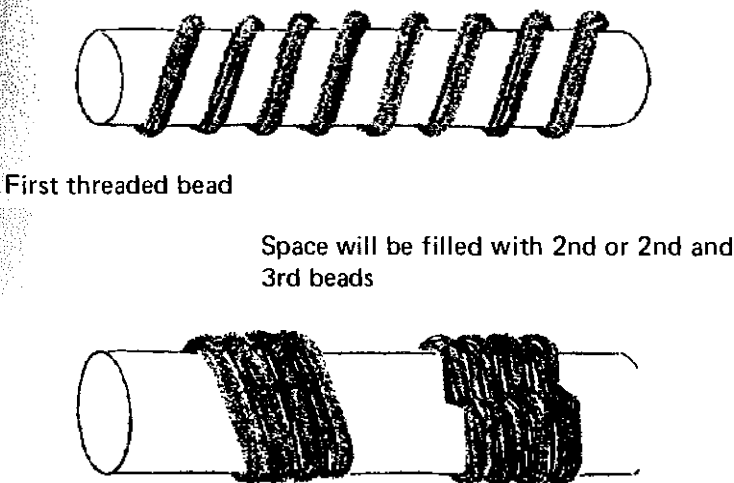


Fig. 13-55. Correct and incorrect methods to prevent spillage and bead distortion.



Welding Current and Voltage	
Diameter (in.)	Current (amp)
3 - 6	250 - 350*
6 - 12	300 - 400
12 - 18	350 - 500
over 18	Standard hardsurfacing procedures (single electrode or twin electrodes).

\* "Threading" may be necessary.  
Normal Voltage Range is 28 - 32 volts.

Fig. 13-56. The threading, spiral, and stepover methods of circumferential hardsurfacing.

Longitudinal travel is accomplished either by spiraling the bead or indexing the welding head across the work after each complete revolution (stepover). Unless a lathe with a slow screw feed mechanism is available, the stepover method is recommended because of ease of operation.

For automatic stepover, mount a limit switch that is operated by a cam-type trip on the rotating fixture. Connect the limit switch into the travel carriage motor circuit so the motor runs when the switch is operated. The distance moved is controlled by the size of the cam and speed of the travel motor. A time delay can be used in place of the cam.

Slag must be removed before each bead makes a complete revolution. If slag removal is a problem, the threading technique should be considered.

### TESTS FOR ABRASION AND IMPACT RESISTANCE

There are no standardized methods for testing abrasion or impact resistance because of the many different types of wear and service environments. There are, however, various tests that are commonly applied to give relative measures of these properties.

One type of test drags the specimen over a copper slab in a mixture of quartz sand and water; the abrasion factor is the loss of weight of the specimen compared to the loss of weight of a standard annealed SAE 1020 steel specimen. A material that loses the same weight as the SAE 1020 steel will have an abrasion factor of 1.00. The ideal material would not lose any weight and would have a factor of 0.00.

Another test presses the specimen against a notched rubber wheel, which is rotated in a slurry of sand and water; the loss of weight is taken as the abrasion value.

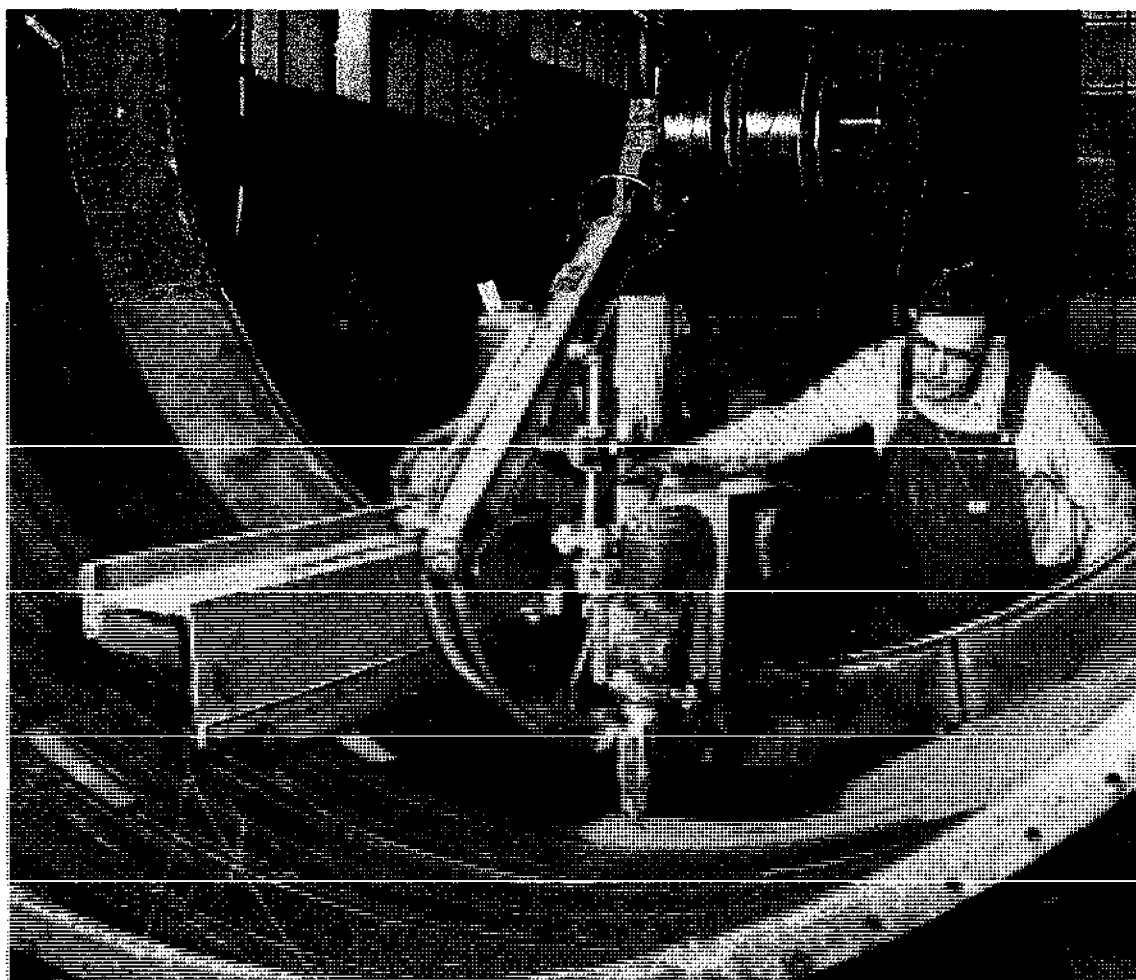
A preferred method is the use of a grinding wheel of aluminum oxide as the abrasant. The amount of wheel that is ground away to remove a standard weight of the hardsurfacing material is taken as the abrasion index. This test is excellent for evaluating the cutting ability of hardsurfacing materials used to dig earth. The loss of weight of the specimen when run against the wheel at standard conditions is taken as the abrasion value for the material when it is to be used for wear-resistant pur-

poses. It is important to have both values, because the material that shows the least loss of weight may not be the one that cuts the best on, for example, a rotary well-drilling bit.

The grinding wheel test is preferred to the wet-sand test because the wet sand results do not show as much difference in hardsurfacing materials as is usually found in the field. The grinding wheel method gives a very large difference in weight loss: 0.02 gram loss for a hard grade of sintered tungsten carbide and about 10.0 grams loss for mild steel — a ratio of 1 to 500.

Abrasion values are not directly applicable to field service. Some of the variables that can change the order of abrasion resistance of hardsurfacing are temperature, size, properties of the abrasant, and the amount of impact.

Impact tests are commonly made on commercial hardsurfacing materials by pounding weld deposits against each other and against standards. The materials are then arranged according to their resistance to cracking, chipping, or spalling.



Automatic hardsurfacing using submerged-arc alloy flux and twin electrodes.

# Thawing Frozen Water Pipes

While an arc welder is not specifically designed for this purpose, it can be used for thawing frozen water pipes. It is a good source of low voltage electric current. This low voltage current is a fast and low-cost method of thawing pipes without digging or the need for an open flame.

Under no circumstances should any pipe thawing activity take place without a knowledgeable person in attendance during the entire time. This is true regardless of the number of times a particular joint may have been thawed because conditions change unknowingly. The possibilities of water damage due to melted solder in pipe joints or fire damage due to failure to follow electrical connection instructions can be minimized by proper supervision.

## HERE'S HOW IT WORKS

When electric current passes through a pipe, wire, or any conductor resistance is encountered. This generates heat. The heat thaws the frozen water. Here are the factors which effect the time required for thawing.

## PIPE MATERIAL

A material which is a good conductor of electricity has low resistance and vice versa. Steel is a poorer conductor than copper. Therefore, steel has higher resistance and heats more rapidly than copper when a given amount of electric current passes through it.

## SIZE OF PIPE

When an electrical cord is overloaded it gets warm. The same principle applies to thawing pipe. A small diameter pipe will heat more rapidly than a large diameter pipe when a given amount of current is passed through it. Thus, it takes higher currents and longer times to thaw large diameter pipes. When using DC current, the time and current required for thawing is about the same for any length of pipe.

## CURRENT

The amount of thawing time is most dependent upon the amount of electrical current available. The greater the current passed through a pipe the greater the heat generated. With twice as many amperes the heating rate is four times as fast. If the number of amperes is increased three times, the heating rate is nine times as fast.

## TIME REQUIRED

The time required for thawing different sizes of steel pipe using different currents are given in the following table. Copper pipe requires more current than steel pipe for the same thawing time. To thaw 1/2-inch copper pipe increase the figures for steel pipe by 10%. Increase the current for steel pipe by 25% to thaw 3/4-inch copper pipe. Larger copper pipes require an even larger percentage increase of current.

TABLE 13-33. Amperage\* and Time for Thawing Steel Pipe  
Pipe Size (in.)

1/2	3/4	1	1-1/4	1-1/2	2	Approx. time (min.)
200	270	400				3 - 4
150	200	300	400			6 - 8
125	170	250	340	400		8 - 12
100	135	200	270	320	440	12 - 16
75	100	150	200	240	330	25 - 30
50	67	100	135	160	220	60

\* These figures are actual meter read currents required. The current indicated by the welder current control dial is less than actual thawing current being used.

## EQUIPMENT REQUIRED

Large gasoline or diesel engine driven welders (200 amp and larger) are commonly used for thawing because they will produce the high currents required for fast thawing and can be used where there is no electric power available. Most industrial type welders rated 40 volts and 60% duty cycle are suitable for pipe thawing. Also some of the smaller welders rated 25 volts and 30% duty cycle can be used with competent supervision. For specific

recommendations for pipe thawing consult the instruction manual for the machine or write to the manufacturer for instructions.

**DO NOT USE A CONSTANT VOLTAGE WELDER FOR THAWING PIPE.** A constant voltage welder has no control for limiting the current.

Some manufacturers furnish kits as an accessory that is connected to the welder when thawing pipe. These kits, Fig. 13-53, contain an ammeter which indicates the output current, and a fuse to protect the welder. The electrode and ground cables from the welder are connected to one side of the meter-fuse kit and cables connected to the pipe are attached to the other side of the kit. The proper

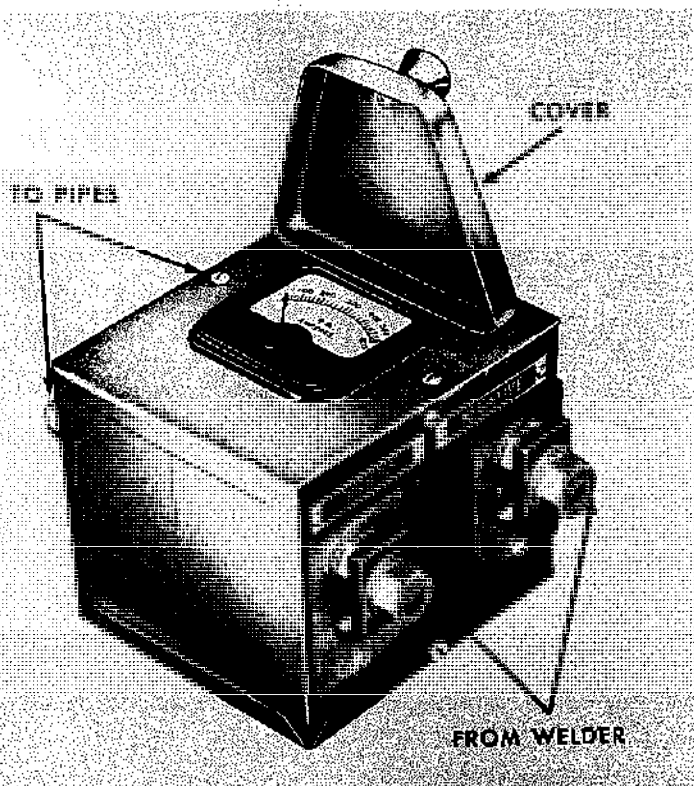


Fig. 13-53. Meter-fuse kit used with a DC welder when thawing frozen water pipe.

fuse size is important so when ordering a kit always specify the make, model number, and the capacity of the welder.

### PIPE THAWING PROCEDURES

1. Isolate the frozen section of pipe. This can be easily done by turning various faucets on until the specific frozen areas are determined.
2. Be sure the welder or the polarity switch is turned off. Failure to do this may cause arcing when the cables are connected and result in a hole in the pipe.
3. Connect a cable to one end of the pipe. Connect the other cable to the other end. Be sure this connection makes a complete electrical circuit from the welder through the frozen section of the pipe, and back to the welder. Sample connections are shown in Fig. 13-54.
4. The connection to the pipe must be good. Clean the pipe, preferably by sanding with coarse emery paper before connecting. Bad connections may cause arcing and result in a hole in the pipe. Poor connections will overheat resulting in loss of thawing current.
5. The cables must be large enough to handle the current and should be kept as short as possible. Recommended cable sizes are shown in Table 13-33.
6. Connect the cables as close to the frozen area as possible. A small empty pipe in the circuit could get hot before a larger frozen pipe thaws. This could melt solder in copper pipes or, in an extreme case, **CAUSE A FIRE.**
7. Always be certain that there are no insulated joints or plastic pipe sections that could prevent

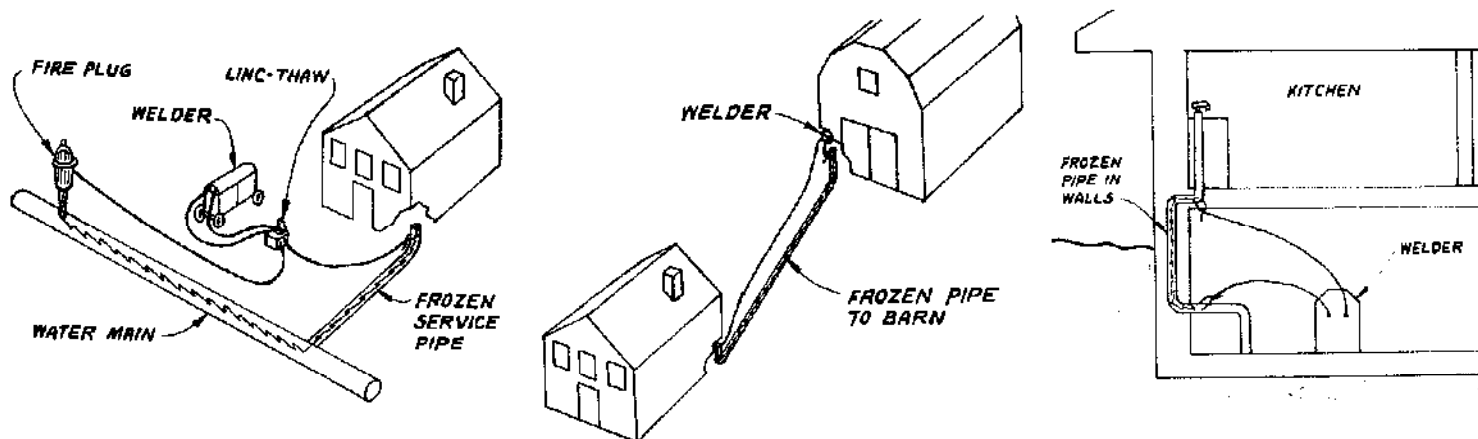


Fig. 13-54. Typical cable connections for thawing frozen water pipe.

the electric current from passing through the frozen pipe between the two cable connection locations. Such interruptions in the electrical circuit could force all of the current to find alternate circuits through electrical grounds connected to the pipe and possibly CAUSE A FIRE.

8. Confine all pipe thawing activity within the property boundaries and to fire hydrants or water mains in the immediate vicinity of the property. **DO NOT** attempt to thaw pipes by making connections to neighboring houses.
9. Be sure the valves or faucets at both ends of the line being thawed are open. When the heat melts a thin layer of water next to the pipe wall, the water starts to flow. A small flow of water will help to melt the rest of the ice more rapidly.
10. When the connections are complete, adjust the output current to a value shown in Table 13-33 but do not exceed the capacity of the welder. An ammeter in the output circuit is a great help to prevent overloading.

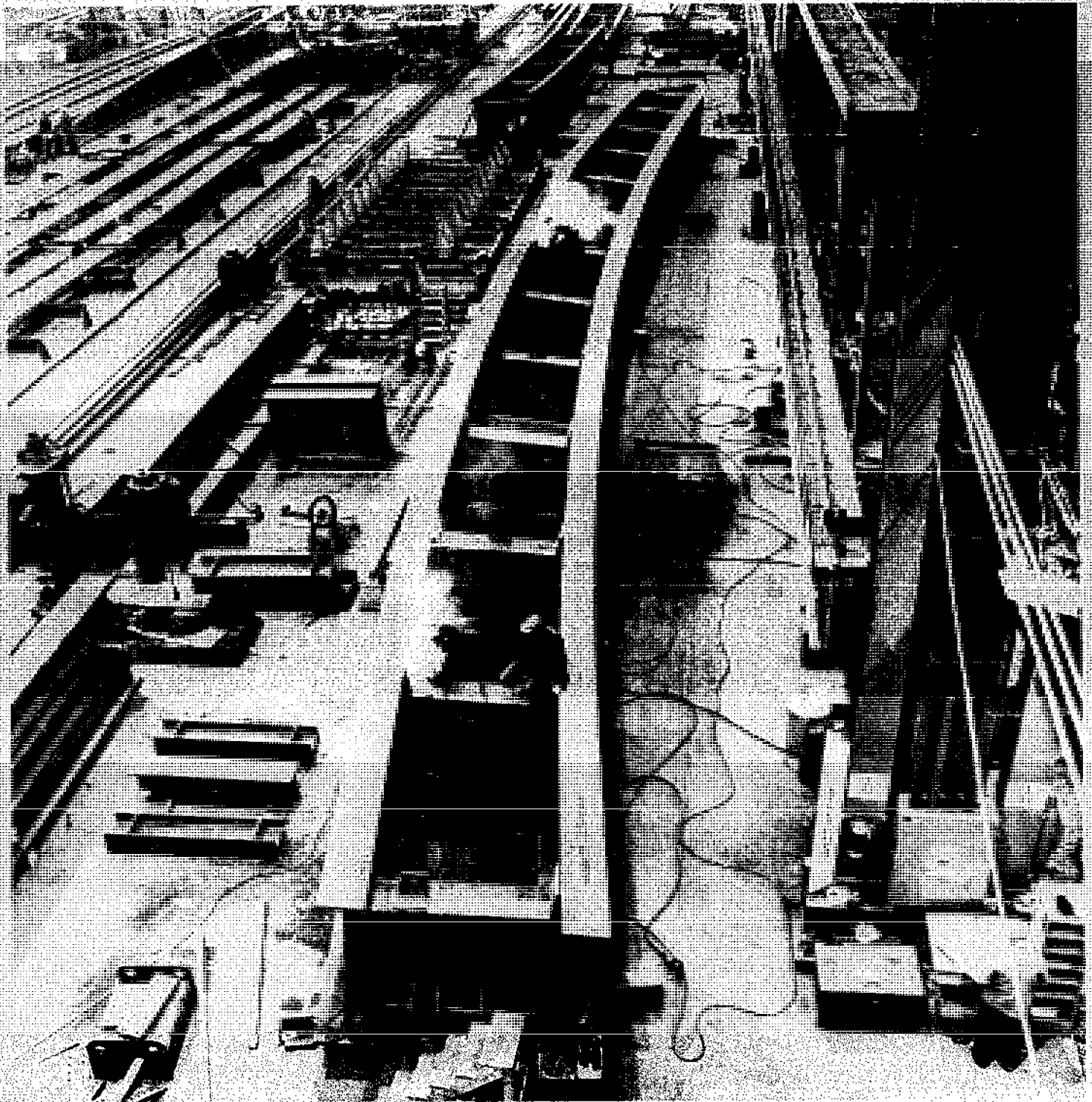
There are many different types of welders and equally as many types of circuits to adjust output current. Therefore, there are no safe general instructions for all types of welders. Refer to the welder instruction manual for specific directions for adjusting the output current when thawing water pipes. If the instruction manual does not have these directions, request them from the welder manufacturer giving the data on the welder nameplate.

11. Turn the welder on. When the water starts flowing freely, stop the welder.
12. Do not overload the welder. Pipe thawing involves heavier sustained loads than welding. And because pipe thawing establishes close to a short across the welder terminals, actual amperes drawn is always greater than indicated by the current control dial. Therefore, specific pipe thawing instructions for each type machine must be followed. Also, since the welder may overheat if it is overloaded, leaving the machine in a cold place or outside will help to keep it cool.

**TABLE 13-34. Recommended Cable Sizes**

Amps	Distance in feet from welding Machine to Pipe Connection											
	50	75	100	125	150	175	200	225	250	300	350	400
100	2	2	2	2	1	1/0	1/0	2/0	2/0	3/0	4/0	4/0
150	2	2	1	1/0	2/0	3/0	3/0	4/0	4/0	4/0	2-2/0	2-3/0
200	2	1	1/0	2/0	3/0	4/0	4/0	4/0	2-2/0	2-3/0	2-3/0	2-4/0
250	2	1/0	2/0	3/0	4/0	4/0	2-2/0	2-2/0	2-3/0	2-3/0		
300	1/0	2/0	3/0	4/0	4/0	2-2/0	2-3/0	2-3/0	2-4/0			
350	1/0	2/0	4/0	4/0	2-2/0	2-3/0	2-3/0					
400	2/0	3/0	4/0	2-2/0	2-3/0	2-3/0						





This curved girder was shop fabricated 130 ft long. It was cut into 3 pieces, shipped to the site and field welded.

**Section 14**

# **INSTALLATION AND MAINTENANCE**

## **SECTION 14.1**

### **INSTALLING, MAINTAINING AND TROUBLE-SHOOTING EQUIPMENT**

	Page
Installation of Welding Equipment . . . . .	14.1-1
Operating and Maintaining Equipment . . . . .	14.1-1
Keeping the Machine Clean and Cool . . . . .	14.1-2
Cautions Against Abuse . . . . .	14.1-2
Maintenance Procedures . . . . .	14.1-3
Periodic Overhaul and Rebuilding . . . . .	14.1-5
Trouble-Shooting . . . . .	14.1-6

# Installing, Maintaining, and Trouble-Shooting Equipment

A welding machine and the accessory equipment used with it are tools required to accomplish a productive goal — and just as the tools of a carpenter or a machinist, they must be used properly and be properly maintained. In the small shop, the owner is usually the owner of the equipment and, therefore, is likely to use and maintain it properly. The employed welder in a large shop, however, management has responsibility for equipment maintenance — so it behooves management to set up a system for assuring its care and maintenance. Good welding, the best production rates, and highest efficiencies in operation result when equipment is installed, used, and maintained properly.

## INSTALLATION OF WELDING EQUIPMENT

Good welding begins with properly planned and executed installation. Equipment should be installed in uncluttered areas where there is room for handling the materials to be welded without bumping into columns, walls, or adjacent machinery. The area should be reasonably clean — no litter on the floors and regular housekeeping practices should be followed. There should be provisions for a continuous supply of clean air for ventilation. Welding areas should be separated from areas where the productive operations generate excessive moisture, dust, or corrosive or flammable fumes. The area temperature should not be high, since the heat of welding would drive the temperature up excessively. Equipment installed outdoors should be provided with protection against rain, dew, or snow.

The following points should be kept in mind when making a welding installation:

1. Be sure an adequate supply of the right type of electrical power is available. Consult the power company if there is any question.
2. Follow the manufacturer's installation instructions as to input and ground-wire size and fuse size. These will conform to the National Electrical Code. In lieu of such

instructions, wire and fuse sizes meeting the National Electrical Code for various types of 60-cycle motor generator sets and transformer welders can be found in Tables 14-1 and 14-2. Output and input ratings are taken from the name plate.

3. Provide adequate and even support for the welding equipment.
4. Be sure that there are safeguards from mechanical accidents, such as the striking of equipment by materials being moved by cranes or loaders.
5. Atmospheric conditions should be proper — no corrosive or flammable fumes, no excessive moisture (such as from steam or water spray), no excessive heat, no corrosive or abrasive dust. Large quantities of fresh air should be available for ventilation and cooling.
6. The frame of the welder should be solidly grounded electrically.
7. All electrical connections to and on the welding equipment should be checked for tightness.
8. Be sure the welding cables are of sufficient capacity to handle the current and are well insulated (see Section 4.3).
9. Follow closely the installation instructions that come with the machine.

## OPERATING AND MAINTAINING EQUIPMENT

Maximum trouble-free service is obtained from welding equipment with the observance of several precautions and practices. The machine should be kept clean and cool, should not be abused, and should be maintained regularly. Generally, the manufacturer supplies special instructions on maintenance that are pertinent to the particular machine; these should be followed closely.

### Keeping The Machine Clean and Cool

Because of the large volume of air pulled through welders by the fans to keep the machines cool, the greatest enemies of continuous, efficient performance are air-borne dust and abrasive materials. Where machines are subjected to ordinary dust, they should be blown out at least once a week with dry, clean compressed air at a pressure not over 30 psi. Higher pressures may damage windings.

In foundries or machine shops, where cast-iron or steel dust is present, use vacuum cleaning rather than compressed air. Compressed air at high pressure tends to drive the abrasive dust into the windings. If vacuum-cleaning equipment is not available, compressed air may be used at low pressure. Abrasive material in the atmosphere grooves and pits the commutator and wears out brushes.

Greasy dirt or lint-laden dust quickly clogs air passages between coils and causes them to overheat. Since resistance of the coils is raised and the conductivity lowered by heat, it reduces the efficiency and can result in burned-out coils if the machine is not protected against overload. Overheating makes the insulation between coils dry and brittle.

Do not block the air intake or exhaust vents. Doing so will interrupt the proper flow of air through the machine.

Keep the covers on the welder. Removing them destroys the proper path of ventilation.

### Cautions Against Abuse

*Never leave the electrode grounded to the work.* This condition creates a "dead" short circuit. The machine is forced to generate much higher currents than it was designed for, which can result in a burned-out machine.

*Do not work the machine over its rated capacity.* A 200-amp machine will not do the work of a 400-amp machine. Operating above capacity causes overheating; the insulation may be destroyed or the solder in the commutator connections melted.

*Use extreme care in operating a machine on a steady load other than arc welding, such as thawing water pipes, supplying current for lighting, running motors, charging batteries, or operating heating equipment.* For example, a DC machine, NEMA-rated 300 amp at 32 volts or 9.6 kw should not be used for any continuous load greater than 7.7 kw,

TABLE 14-1. Installation Data (Wire and Fuse Size) for Typical Motor-Generator Sets (60 hertz)

WELDER  MOTOR GENERATORS	OUTPUT RATING			INPUT RATING		NATIONAL ELECTRIC CODE SPECIFICATIONS		
	Amps	Volts	% Duty Cycle	Voltage	Amperes on Nameplate	Input Wire Size (Type 75°C Copper Conductor in Conduit) AWG	Ground Wire Size (Copper Conductor)	Fuse Size (Super-Lag)
Light production and maintenance. Manual welding.	250	30	30	230	32	10	10	60
				460	16	14	10	30
Industrial type for manual welding.	200	40	60	230	44	8	8	80
				460	22	12	10	40
Industrial type for manual welding	300	40	60	230	62	6	8	100
				460	31	10	10	50
Combination constant or variable-voltage. Manual and mechanized welding.	300	40	60	230	68	6	8	100
				460	34	10	10	50
Industrial-type manual or mechanized welding.	400	40	60	230	78	6	6	125
				460	39	8	8	70
Combination constant or variable-voltage. Manual or mechanized.	400	40	60	230	84	4	6	125
				460	42	8	8	70
Combination constant or variable-voltage. Mechanized welding.	675	55	60	230	160	1	3	250
				460	80	6	6	125
Constant-voltage. Mechanized welding.	675	44	60	230	124	2	6	200
				460	62	6	8	100
Variable-voltage. Automatic welding only.	900	40	60	230	158	1	3	250
				460	79	6	6	125
Constant-voltage. Automatic welding only.	1100	44	60	230	198	00	3	300
				460	99	4	6	150

and not more than 240 amp. This precaution applies to machines with a duty cycle of at least 60%. Machines with lower load-factor ratings must be operated at still lower percentages of the rated load.

*Do not handle roughly.* A welder is a precisely aligned and balanced machine. Mechanical abuse, rough handling, or severe shock may disturb the alignment and balance of the machine, resulting in serious trouble. Misalignment can cause bearing failure, bracket failure, unbalanced air gap, or unbalance in the armature.

*Never pry on the ventilating fan or commutator* to try to move the armature. To do so will damage the fan or commutator. If the armature is jammed, inspect the unit for the cause of the trouble. Check for dirt or foreign particles between the armature

and frames. Inspect the banding wire on the armature. Look for a frozen bearing.

*Do not neglect the engine,* if the welder is an engine-driven unit. It deteriorates rapidly if not properly maintained. Follow the engine manufacturer's recommendations. Change oil regularly. Keep air filters and oil strainers clean.

Do not allow grease and oil from the engine to leak back into the generator. Grease quickly accumulates dirt and dust, clogging the air passages between coils.

**Maintenance Procedures**

*Bearings.* The ball bearings in modern welders have sufficient grease to last the life of the machine under normal conditions. Under severe conditions —

**TABLE 14-2. Installation Data (Wire and Fuse Size) for Typical Transformer Welders (60 hertz)**

WELDER	OUTPUT RATING			INPUT RATING				NATIONAL ELECTRIC CODE SPECIFICATIONS							
	Amps	Volts	% Duty Cycle	Voltage	Amperes on Nameplate		Input Wire Size (Type 75°C Copper Conductor in Conduit) AWG		Ground Wire Size (Copper Conductor) AWG		Fuse Size (Super-Lag)				
TRANSFORMERS					With Cond.	Without Cond.	With Cond.	Without Cond.	With Cond.	Without Cond.	With Cond.	Without Cond.			
Single-phase, AC only, VV	180	25	20	230	---	37	---	12	---	12	---	40			
Single-phase, AC only, VV	225	25	20	230	---	50	---	10	---	10	---	60			
Three-phase, DC only, VV	300	40	60	230 460	---	56 28	---	8 10	---	8 10	---	80 40			
Three-phase, DC only, VV	400	40	60	230 460	---	75 37.5	---	6 10	---	6 10	---	125 60			
Three-phase, DC only, VV	500	40	60	230 460	---	94 47	---	4 8	---	6 8	---	150 70			
Three-phase, DC only, VV	650	40	60	230 460	---	118 59	---	3 6	---	6 8	---	175 90			
Three-phase, DC only, CV	400	40	100	230 460	---	68 34	---	4 8	---	6 10	---	110 60			
Three-phase, DC only, CV	600	44	100	230 460	---	100 50	---	3 6	---	6 8	---	150 80			
Three-phase, DC only, CV	800	44	100	230 460	---	142 71	---	0 4	---	3 6	---	225 110			
Single-phase AC or AC-DC, VV	250	30	30	230	DC 50	AC 46	DC 70	AC 68	DC 8	AC 8	6	8	8	70	90
				460	25	23	35	34	12	12					
Single-phase AC or AC-DC, VV	300	40	60	230	90-104	85-102	109-116	107-116	4	4	4	6	6	150	150
				460	45-52	42-51	54-58	53-58	8	8					
Single-phase, AC or AC-DC, VV	400	40	60	230	120	112	146	142	3	3	2	6	3	200	225
				460	60	56	73	71	6	8					
Single-phase AC or AC-DC, VV	500	40	60	230	146	138	182	177	2	2	0	3	3	250	275
				460	73	69	91	88.5	6	6					
Single-phase AC or AC-DC, VV	650	40	60	230	180	172	232	226	0	0	000	3	3	300	350
				460	90	86	116	113	4	4					
Single-phase AC only	1000	44	1 hr. continuous	230	312	---	---	250 MCM	---	---	---	1	---	450	---
				460	156	---	---	1	---	3					
Scott-connected AC only	850	44	1 hr. continuous	230	312	---	---	250 MCM	---	---	---	1	---	450	---
				460	156	---	---	1	---	3					

heavy usage or in a dirty location — the bearings should be greased about once a year. Add about one ounce (one cubic inch) of grease to each bearing.

Many bearing failures can be traced to overgreasing but dirt is responsible for more bearing failures than any other cause. Before greasing wipe the grease fitting completely clean. Use clean grease. An open container of grease exposed to a factory atmosphere can contaminate the grease and make it unsuitable for ball bearings.

If too little grease is applied, bearings fail.

Too light grease will run out. Grease containing solid materials may ruin anti-friction bearings; rancid grease will not lubricate.

Dirty grease or dirty fittings or pipes cause bearing failures.

Bearings do not need inspection. They are shielded against dirt, and it is inadvisable to open them unless necessary.

If it is necessary to pull bearings, it should be done with a special puller designed to act against the inner race.

Never clean new bearings before installing. Handle them with care. Put them in place by driving against the inner race. Make sure that they fit squarely against the shoulders.

*Brackets or end bolts.* If it becomes necessary to remove a bracket, to replace a bearing or to disassemble the machine, do so by removing the bolts and tapping lightly and evenly with a babbitt hammer all around the outside diameter of the bracket ring. Do not drive off with a heavy steel hammer.

The bearing housing may become worn oversize, caused by the pounding of the bearing when the armature is out-of-balance. Bracket bearing housings may be checked for size by trying a new bearing for fit. The bearing should slide into the housing with a light drive fit. Replace the bracket if the housing is oversize.

*Brushes and brush holders.* Set brush holders approximately 0.030 to 0.090 in. above the surface of the commutator. If brush holders have been removed, be certain that they are set squarely in the rocker slot when replaced. Do not force the brush holder into the slot by driving on the insulation. Check to make sure that the brush-holder insulation is squarely set.

Tighten brush holders firmly. When properly set, they are parallel to the mica segments between commutator bars.

Use the grade of brushes recommended by the manufacturer of the welder. Brushes may be too

hard or too soft and cause damage to the commutator. Brushes will be damaged by excessive clearance in the brush holder or uneven brush spring pressure. High commutator bars, high mica segments, excessive brush spring pressure, and abrasive dust also will wear out brushes rapidly.

Inspect brushes and holders regularly. A brush may wear down and lose spring tension. It will then start to arc, with damage to the commutator and other brushes.

Keep the brush contact surface of the holder clean and free from pit marks. Brushes must be able to move freely in the holder. Replace them when the pigtailed are within 1/4 in. of the commutator or when the limit of spring travel is reached.

New brushes must be sanded in to conform to the shape of the commutator. This may be done by stoning the commutator with a stone or by using fine sandpaper (not emery cloth or paper). Place the sandpaper under the brush, and move it back and forth while holding the brush down in the normal position under slight pressure with the fingers.

See that brush holders and springs seat squarely and firmly against the brushes and that the pigtailed are fastened securely.

*Commutators.* Commutators normally need little care. They will build up a surface film of brown copper oxide, which is highly conductive, hard, and smooth. This surface helps to protect the commutator. Do not try to keep a commutator bright and shiny by constant stoning. The brown copper oxide film prevents the build-up of a black abrasive oxide film that has high resistance and causes excessive brush and commutator wear.

Wipe clean occasionally with a rag or canvas to remove any unnatural films.

If brushes are chattering because of high bars, high mica, or grooves, stone by hand, or remove and turn in a lathe if necessary.

Most commutator troubles start because the wrong grade of brushes is used. Brushes that contain too much abrasive material or have too high a copper content usually scratch the commutator and prevent the desired surface film from building up. A brush that is too soft may smudge the surface with the same result as far as surface film is concerned. In general, brushes that have a low-voltage drop will give poor commutation. Conversely, a brush with high-voltage drop commutates better but may cause overheating of the commutator surface.

If the commutator becomes burned, it may be dressed down by pressing a commutator stone

against the surface with the brushes raised. If the surface is badly pitted or out of round, the armature must be removed from the machine and the commutator turned in a lathe. It is good practice for the commutator to run within a radial tolerance of 0.003-in.

The mica separating the bars of the commutator is undercut to a depth of 1/32 to 1/16 in. Mica exposed at the commutator surface causes brush and commutator wear and poor commutation. If the mica is even with the surface, undercut it.

When the commutator is operating properly, there is very little visible sparking. The brush surface is shiny and smooth with no evidence of scratches.

*Generator frame.* The generator frame and coils need no attention other than inspection to ensure tight connections and cleanliness. Blow out dust and dirt with compressed air. Grease may be cleaned off with naphtha. Keep air gaps between armature and pole pieces clean and even.

*Armature.* The armature must be kept clean to ensure proper balance. Unbalance in the set will pound out the bearings and wear the bearing housing oversize. Blow out the armature regularly with clean, dry compressed air. Clean out the inside of the armature thoroughly by attaching a long pipe to the compressed air line and reaching into the armature coils.

*Motor stator.* Keep the stator clean and free from grease. When reconnecting it for use on another voltage, solder all connections. If the set is to be used frequently on different voltages, time may be saved by placing lugs on the ends of all stator leads. This eliminates the necessity for loosening and resoldering to make connections, since the lugs may be safely joined with a screw, nut, and lock washer.

*Exciter generator.* If the machine has a separate exciter generator, its armature, coils, brushes, and brush holders will need the same general care recommended for the welder set.

Keep the covers over the exciter armature, since the commutator can be damaged easily.

*Controls.* Inspect every time the welder is used to ensure that the ground and electrode cables are connected tightly to the output terminals. Loose connections cause arcing that destroys the insulation around the terminals.

Do not bump or hit the control handles. Impact damages the controls, resulting in poor electrical contacts. If the handles are tight or jammed, inspect for the cause.

Check the contact fingers of the magnetic starting switch regularly. Keep the fingers free from deep pits or other defects that will interfere with a smooth, sliding contact. Copper fingers may be filed lightly. All fingers should make contact simultaneously.

Keep the switch clean and free from dust. Blow out the entire control box with compressed air.

Connections of the leads from the motor stator to the switch must be tight. Keep the lugs in a vertical position. The line voltage is high enough to jump between the lugs on the stator leads if they are allowed to become loose and cocked to one side or the other.

Keep the cover on the control box at all times.

*Condensers.* Condensers may be placed in an AC welder to raise the power factor if required. When condensers fail, it is not often apparent from the appearance of the condenser. Consequently, if it is desired to check to see if they are operating correctly, the following should be done: At rated input voltage and with the welder drawing the rated output load current, the input current reading should correspond to the name-plate amperes. If the reading is 10 to 20 percent more, at least one condenser has failed.

Never touch the condenser terminals without first disconnecting the welder from the input power source. Then discharge the condenser by touching the two terminals with an insulated screwdriver.

*Relays.* The delay relay contacts may be cleaned by passing a cloth soaked in naphtha between them. Do not force the contact arms or use any abrasives to clean the points. Do not file the silver contacts. The pilot relay is enclosed in a dustproof box and should need no attention. Relays are usually adjusted at the factory and should not be tampered with unless faulty operation is obvious.

### Periodic Overhaul and Rebuilding

Welding machines that are operated day after day in fabrication or field work are usually candidates for a complete overhaul after a year, or a factory rebuilding job after two years. Whenever downtime for repair becomes frequent, a factory-type overhaul or rebuilding job is indicated as desirable.

It is good practice to schedule periodic overhauls as a part of a regular preventive maintenance program, keeping on hand one or more "extra" welders as substitutes for the one or ones taken out of

production for overhaul. In a high-production shop, this is not an extravagance; a bad weld resulting from a machine not operating properly might well lead to as much cost for its repair as the cost of overhauling a welder. Also, such maintenance costs are entirely deductible items for tax purposes, whereas the purchase of a new machine must be depreciated over time. A complete rebuilding job generally costs about 60% of the original cost of the machine — and, for all practical purposes, a factory-rebuilt machine is the same functionally as a new machine.

**TROUBLE-SHOOTING**

The manufacturer of arc welding equipment usually supplies a trouble-shooting guide as well as

installation and maintenance instructions in the operating manual that accompanies the machine. Table 14-3 shows a typical trouble-shooting guide for a welder. Obviously, there are as many trouble-shooting guides as components of welding systems and as brand names for such components, so that no one can be universally applicable.

In general, a trouble-shooting guide enables the user to match a recognized trouble with possible causes and possible remedies. The use of the guide shows up errors in settings and oversights as well as faults in the equipment and saves time in making corrections or repairs. Such data, as well as the maintenance data, should be carefully preserved, yet should be readily available for reference by the operator or his foreman.

**TABLE 14-3. Typical Trouble-Shooting Guide for a Welder**

TROUBLE	CAUSE	REMEDY
Welder will not start	Line switch not turned "ON" Supply line fuse blown Power circuit dead Overload relay tripped Loose or broken power, electrode, or ground lead Wrong voltage Polarity switch not centered (AC-DC units only) Open circuit to starter button	Place line switch in "ON" position Replace (check reason for blown fuse first) Check input voltage Let cool, remove cause of overloading Replace lead or tighten and repair connection Check input voltage against instructions Center switch handle on +, -, or AC  Repair
Welder starts but blows fuse after welding begins	Short circuit in motor or other connection Fuse too small	Check connections and lead insulation Check instruction manual for correct size
Welder welds but soon stops welding	Proper ventilation hindered  Overloading — welding in excess of rating Fan inoperative Motor Generator Sets — Wrong direction of rotation Brushes worn or missing Wrong driving speed Excessive dust accumulation in welder	Make sure all case openings are free for proper circulation of air. Operate welder at rated load and duty cycle Check leads and connections  Check connection diagram Check brushes for pressure on commutator Check nameplate for correct motor speed Clean thermostat, coils, and other components
Variable or sluggish welding arc	Current too low  Low line voltage Welding leads too small  Poor ground, electrode, or control-circuit connections Motor Generator Sets — Brushes improper, weak springs, not properly fitted Rough or dirty commutator	Check recommended currents for rod type and size being used Check with power company Check instruction manual for recommended cable sizes Check all connections. Clean, repair or replace as required Check and repair  Turn down or clean commutator
Welding arc is loud and spatters excessively	Current setting is too high Polarity wrong	Check setting and output with ammeter Check polarity; try reversing or an electrode of opposite polarity
Polarity switch won't turn	Contacts rough and pitted from improper turning under load	Replace switch
Welder won't shut off	Line switch has failed mechanically	Replace switch
Arcing at ground clamp	Loose connection or weak spring	Tighten connection or replace clamp
Electrode holder becomes hot	Loose connection, loose jaw, inadequate duty cycle	Tighten connection or replace holder
Touching welder gives shock	Frame not grounded	See instruction manual for proper grounding procedure



Wire and flux-feeding equipment is subject to erratic action as the result of physical difficulties. Some of the common troubles, their causes, and the remedies are given in Table 14-4.

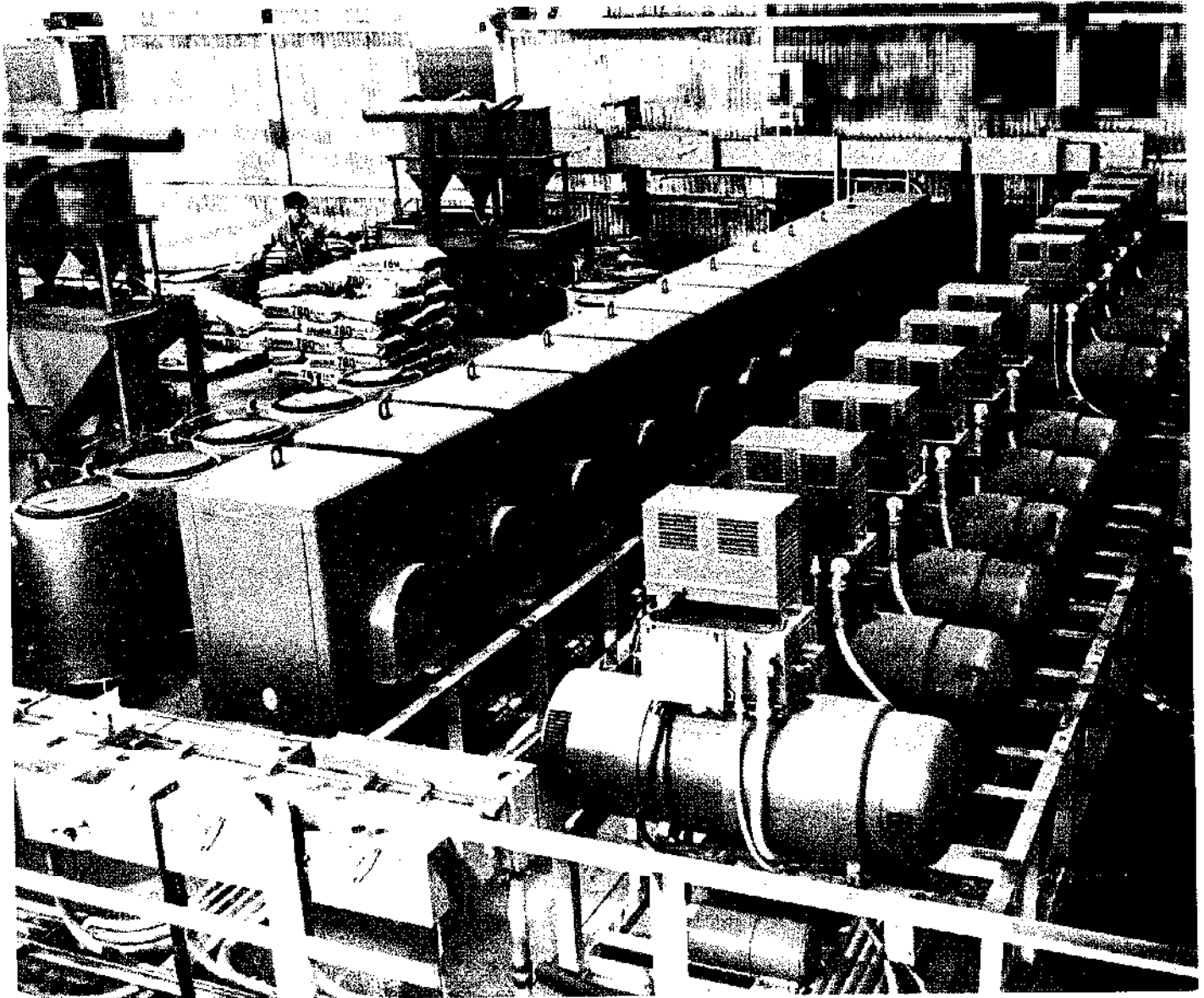
On large fabrication and field jobs, a maintenance mechanic who is well versed in the operation, maintenance, and repair of welding equipment may be justified as a full-time employee. When not trouble-shooting, he can devote his time to the routine maintenance of any items of equipment not in use at that moment. Such a mechanic can

substantially reduce the downtime on a job.

An alternative is to contract for a preventive maintenance service from a firm specializing in welding equipment maintenance. Such services usually provide for the monthly inspection of equipment and the making of any needed repairs or adjustments. Although contracted maintenance services have proved their worth, they do not, however, provide immediate availability for trouble-shooting as does the company-employed welding-equipment mechanic.

TABLE 14-4. Typical Trouble-Shooting Guide for Wire and Flux-Feeding Equipment

TROUBLE	CAUSES	WHAT TO DO
<p><b>WIRE FEEDING</b></p> <p>Wire feeding rough or jerky or wire feeding stops completely.</p>	<p>Cable liner may be dirty Electrode may be dirty or rusty.</p> <p>Nozzle contact tip may have been burned or partly melted causing hole to be undersized.</p>	<p>Clean cable Replace with clean electrode. If conditions are extremely dirty or electrode is old (solid wire only), put a wiper on the wire before it enters the guide tubes. Use a piece of cloth or felt saturated with "Pyroil B" held around the wire with a light clamp. Replace with new tip. Drill contact tip: 1/8 wire - No. 28 drill .120 wire - No. 29 drill 3/32 wire - No. 36 drill 5/64 wire - No. 40 drill</p>
<p><b>FLUX FEEDING (Submerged-Arc)</b></p> <p>Flux flow stops while welding. If there is flux in the hose right behind the gun (test by squeezing), the stoppage is in the gun.</p>	<p>Flux tube in the gun may be blocked.</p> <p>Magnetic particles may cause bridging at the nozzle tip. Bridging only occurs when welding.</p>	<p>Remove the gun from the cable. Check the tube in the gun and the cable handle.</p> <p>Pass flux over a magnetic separator when filling the flux tank.</p>
<p>Flux stoppage not in the gun. (Be certain there are no kinks or collapsing of the hose.)</p>	<p>There may be a piece of slag in the hose.</p>	<p>Work back along the hose squeezing it until flux can be felt. Shake the hose and feel for slag at this point. Blow out hose with air if necessary.</p>
<p>Flux stoppage not in the gun. (Be certain there are no kinks or collapsing of the hose.)</p>	<p>Flux tank outlet may be clogged.</p> <p>Pressure in the tank may be set improperly.</p>	<p>If there is no flux in the hose, check the tank outlet for large pieces of slag or paper. Set pressure regulator for 26-30 lbs./sq. in. Set pressure for 55-60 lbs./sq. in. when using a gun-cable extension assembly.</p>
<p>Excessive air blow and uneven flux flow from the gun.</p>	<p>Tank may be almost empty. (May look like the tank is full at the sides but it will be down to the bottom in the center.)</p> <p>Flux may be falling away from the weld faster than it is being fed.</p> <p>Pressure in the tank may be too high.</p>	<p>Refill the tank.</p> <p>Alter procedure or make a flux dam.</p> <p>Set pressure regulator for 26-30 lbs./sq. in. Set pressure for 55-60 lbs./sq. in. when using a gun-cable extension assembly.</p>
<p>Flux in tank gets wet.</p>	<p>There may be water in the air line.</p> <p>The copper bleeder may be clogged.</p>	<p>It is possible to get water from air lines when first starting in the morning. Blow out air lines before connecting them to the tank.</p> <p>Be certain that a slight amount of air is escaping from the crimped end of the copper tube below the flux tank.</p>



Installation for operating 12 tandem submerged-arc welding heads. Good installation and maintenance were prime factors in the success of this project.

**Section 15**  
**SAFETY IN WELDING**

**SECTION 15.1**

**SAFETY PRACTICES IN WELDING**

	Page
Personnel Protection .....	15.1-1
Eye and Face Protection .....	15.1-1
Protective Clothing .....	15.1-2
Fire Prevention .....	15.1-2
Precautions in Welding Containers .....	15.1-3
Ventilation .....	15.1-4
Exhaust Hoods and Booths .....	15.1-4
Welding in Confined Spaces .....	15.1-4

# Safety Practices In Welding

Observing strict safety measures during welding and cutting operations is necessary to prevent injury to personnel and damage to property. Some of the recommended safe practices discussed here are mandatory and are governed by code requirements. Others are based on shop experience.

Because of the variables in the hazards involved in welding operations, the subject of safety must be treated here in a rather general way. Standards, published by the AWS, ANSI, and other organizations, that detail specific situations are listed at the end of this section for reference.

## PERSONNEL PROTECTION

Proper equipment and clothing should be used by weldors, helpers, and personnel working near the welding stations to protect them from burns and spatter and from the radiant energy of the arc.

### Eye and Face Protection

The welding arc should never be observed at close quarters with unprotected eyes. Failure to observe this rule can result in various degrees of eye burn. These burns do not usually cause permanent injury, but they can be very painful for several days after exposure.

A helmet-type head shield, as shown in Fig.

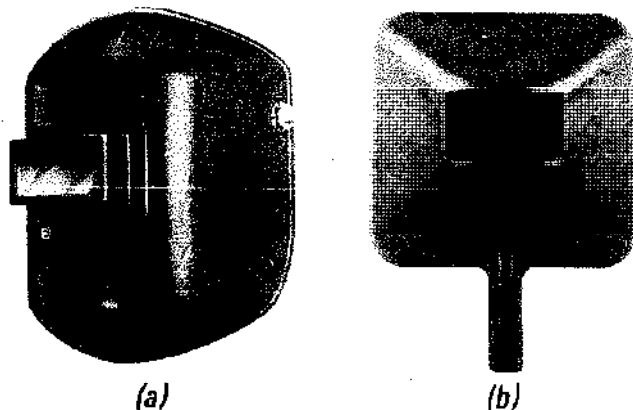


Fig. 15-1. A helmet-type head shield (a) required for protecting the weldor's eyes and face and (b) a hand-held face shield that is convenient for the use of foremen, inspectors, and other spectators.

15-1(a), is standard equipment for protecting the weldor's face and eyes from the direct rays of the arc. A hand-held face shield, as in Fig. 15-1(b), is convenient for the use of onlookers. (Sun glasses or gas-welding goggles are not adequate protection.) These shields are generally made from a nonflammable insulating material and are black or gray in color to minimize reflection. They are shaped to protect the face, neck, and ears from direct radiant energy from the arc.

The shields are equipped with a standard-size (2 x 4-1/4-in.) glass window through which the weldor observes the work in the area of the arc. A proper glass lens screens almost 100% of infrared and ultraviolet rays and most of the visible rays from the weldor's eyes. The lens should be made from a tempered glass, free from bubbles, waves, or other flaws. Except for lenses that are ground for correction of vision, their flat surfaces should be smooth and parallel.

TABLE 15-1. Recommended Lens Shade Numbers for Use in Various Welding Operations

Welding or Cutting Operation	Electrode Size (in.)	Shade Number	
Shielded Metal-Arc Welding	1/16 - 5/32	10	
	3/16 - 1/4	12	
	5/16 - 3/8	14	
Gas Tungsten-Arc Welding	Ferrous	12	
	Nonferrous	11	
Gas Metal-Arc Welding	Ferrous	1/16 - 5/32	12
	Nonferrous	1/16 - 5/32	11
Atomic Hydrogen Welding	-	10 - 14	
Carbon-Arc Welding	-	14	
Oxygen Cutting	Light - to 1 in.	-	3 - 4
	Medium - 1 to 6 in.	-	4 - 5
	Heavy - over 6 in.	-	5 - 6

Data from AWS A6.2-68 and ANSI Z49.1-67.

A piece of ordinary colored glass may look like a welding lens, but it would not have the necessary light-screening characteristics needed for eye protection. Special equipment is required to measure the amount of infrared and ultraviolet rays a lens will absorb. Welding lenses should be purchased only from suppliers who can be depended upon to furnish quality products.

Lenses are available in a number of shades for various types of work. Recommended shade numbers for common welding and cutting operations are listed in Table 15-1. Note that the shade number varies with the electrode-size range in shielded metal-arc welding and with the thickness range of material when oxygen cutting.

Lenses in head shields and face shields should be protected from breakage and from spatter by a cover lens or plate. This is a clear glass that is treated to resist damage from spatter. It covers the exposed surface of the lens.

In addition to a helmet or shield, goggles with side shields should also be worn during arc welding or cutting operations. Goggles provide protection from spatter or rays from adjacent operations, particularly at times when the shield is removed, as is necessary when replacing electrodes, removing slag, or inspecting the weld. Goggles should be worn by weldors' helpers, foremen, inspectors, and others working near the arc to protect their eyes from occasional flashes. Goggles should be lightweight, ventilated, and sterilizable, and the frames should be made of a heat-insulating material. Clear, spatter-resistant cover glasses and tinted lenses are used in the goggles.

Submerged-arc weldors do not need head shields but they should use goggles to protect against an accidental flash through the flux.

### Protective Clothing

Ultraviolet energy from welding and cutting operations produces a skin burn, which, like a sunburn, is not immediately apparent. Thus, weldors should wear clothing to protect all exposed skin areas. Woolen clothing is preferred over cotton or synthetic-fiber clothing because it is less easily ignited and it offers better protection from rapid changes in temperature. Any cotton or synthetic-fiber clothing worn for welding should be chemically treated to reduce its flammability. Dark-colored shirts are recommended to minimize reflection of rays under the helmet. Outer clothing, such as overalls, should be free from oil or grease. Low shoes with unprotected tops should not be worn; high-top

safety shoes are recommended.

Shirt collars and cuffs should be kept buttoned, and pockets should be removed from the front of overalls. These measures prevent sparks or hot metal from lodging in the clothing. For the same reason, legs of trousers or overalls should not be turned up on the outside.

Minimum additional protection commonly used by weldors consists of flameproof gauntlet gloves and a flameproof apron made of leather, asbestos, or other suitable material.

For heavy work, fire-resistant leggings or high boots and leather sleeves or a full jacket should be used. For overhead operations, a leather cape or shoulder cover is essential. A leather skull cap should also be worn under the helmet to prevent head burns. Ear protection is desirable for overhead welding or for operations in confined areas. Wire screen ear protectors are recommended for such operations.

### FIRE PREVENTION

Fires connected with welding or cutting operations are usually caused by failure to keep combustible materials away from the work area. Fires rarely occur at permanent production welding facilities; most fires involve portable equipment in areas not properly isolated or protected. If the work can be moved, it should be taken to a safe place such as a fireproof booth for cutting or welding. If the work cannot be moved from a hazardous location, welding should not be done until the area has been made safe. (See Bulletin NFPA No. 51B, published by the National Fire Protection Association.)

Welding or cutting should not be done in potentially explosive atmospheres — those containing mixtures of flammable gas, vapor, liquid, or dust with air — or near stored ignitable materials. A safe distance for welding in the general area of combustible materials is generally considered to be 35 ft.

If relocation of combustible materials is impractical, they should be protected with flameproofed covers or shielded with metal or asbestos screens or curtains. Edges of covers at the floor should be sealed to prevent sparks from getting underneath. Portable screens are used for isolating welding and cutting operations and for general protection of personnel from rays, spatter, and sparks.

Combustible floors in temporary welding areas should be swept clean, then protected with metal, or other noncombustible material. The floor may be protected with damp sand or simply wet with water,



What the well dressed welder should wear: a cap or hard hat depending on the job, safety glasses (not shown), head shield with the proper lens shade, leather jacket with long sleeves, leather gauntlet gloves, heavy trousers with no cuffs, and safety shoes.

but special care must be taken with a wet floor to protect weldors and other personnel from the hazard of shock.

All openings in floors or walls should be closed so that any combustible materials on the floor below and in adjacent rooms are not exposed to sparks from the welding operation.

When welding must be done close to wooden construction or other combustible material, additional protection should be provided in the form of suitable fire-extinguishing equipment. This could consist of buckets of water or sand, a connected fire hose, or portable chemical fire extinguishers, depending on the nature and the amount of combustible material at hand.

Workers should be encouraged to be fire-conscious and to be on the lookout for potential fire hazards. It is good practice to have supervisory personnel walk through the welding areas after production operations have been shut down and to have night watchmen give immediate attention to such areas when they come on duty.

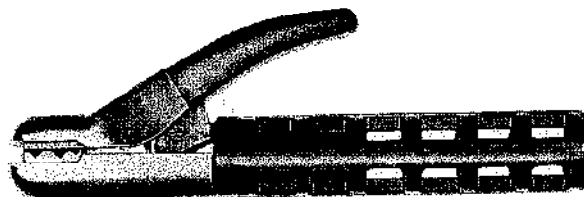
be welded or cut unless they have been properly cleaned and marked as safe. Combustible materials include not only the common volatile petroleum products, but also:

1. Acids that react with metals to produce hydrogen.
2. Normally nonvolatile oils or solids that can release hazardous vapors when heated.
3. Fine, dust-like particles of a combustible solid that are potentially explosive.

Acceptable cleaning methods for such containers (which will not be detailed here) include water cleaning, hot chemical-solution cleaning, and steam cleaning. The method used depends, of course, on the type of material that must be removed from the vessel. Details of approved cleaning procedures are given in AWS A6.0 and in other standards listed at the end of this section. Containers that have been cleaned and proved safe should be tagged or stenciled with the words, "safe for welding and cutting," and should bear the date and the name of the person who certified the safety.

A supplementary precaution — filling the container with water or inert gas — is recommended for welding or cutting containers, even after they have been cleaned by approved methods. The container, of course, must be vented or open, so the water or gas can drive out any dangerous fumes. Acceptable inert gases for this purpose are carbon dioxide ( $\text{CO}_2$ ) and nitrogen. Carbon dioxide is available in pressure cylinders and in solid form ("dry ice"). Because the gas is heavier than air, it sinks to the bottom of containers that have top openings, and, as more gas is added, replaces the air or lighter-than- $\text{CO}_2$  fumes.

Minimum concentration of  $\text{CO}_2$  in a container is 50% for most work, and 80% if the previously contained material or vapor was principally hydrogen, carbon monoxide, or acetylene. Thorough flushing with  $\text{CO}_2$ , however, is desirable practice when the container has held such explosive gases. Recommended minimum concentrations of nitrogen are 60% and 90%, respectively, for the same general conditions. Procedures for filling and maintaining



Fully insulated type electrode holder should always be used when welding with AC.

## PRECAUTIONS IN WELDING CONTAINERS

Tanks, vessels, or other closed containers that have held combustible materials or gases should not

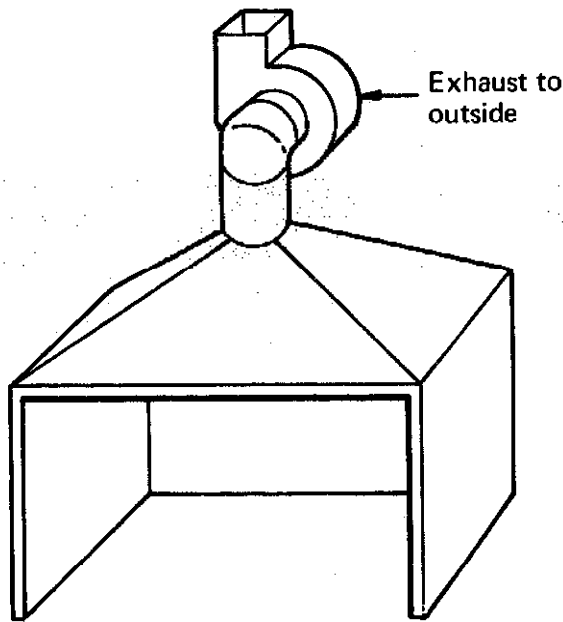


Fig. 15-2. A typical ventilated booth for exhausting air from the welding operation.

minimum concentrations of inert gases in containers for welding and cutting operations are detailed in AWS A6.0.

## VENTILATION

The respiratory health hazards associated with welding operations are caused principally by inhalation of gases, dusts, and metal fumes. The type and quantity of toxic fumes in a welding area depend on the type of welding being done, the filler and base metals used, contaminants on the base metal, solvents in the air, and the amount of air movement or ventilation in the area. Good ventilation is a primary key to avoiding or minimizing respiratory hazards.

When welding and cutting mild steels, natural ventilation is usually considered adequate to remove fumes, provided that:

1. The room or welding area contains at least 10,000 cubic feet for each weldor.
2. The ceiling height is not less than 16 ft.
3. Cross ventilation is not blocked by partitions, equipment, or other structural barriers.

Spaces that do not meet these requirements should be equipped with mechanical ventilating equipment that exhausts at least 2000 cfm of air for each weldor, except where local exhaust hoods or booths or air-line respirators are used.

Welding or cutting operations that involve fluxes or other materials containing fluorine compounds, or that involve toxic metals such as zinc, lead, beryllium, cadmium, or mercury, require that hose masks, hose masks with blowers, or self-contained breathing equipment be used. Such equipment should meet U.S. Bureau of Mines standards.

Some degreasing compounds such as trichloroethylene and perchlorethylene decompose from the heat and from the ultraviolet radiation of an arc. The products of decomposition are irritating to the eyes and respiratory system. Parts that have been vapor-degreased should not be welded until all degreasing compound and vapors are completely removed.

Because of the chemical breakdown of vapor-degreasing materials under ultraviolet radiation, arc welding should not be done in the vicinity of a vapor-degreasing operation. Carbon-arc welding and gas tungsten-arc welding should be especially avoided in such areas, because they emit more ultraviolet radiation than other processes.

## Exhaust Hoods and Booths

Local exhaust of welding fumes can be provided by adjustable hoods or by fixed enclosures or booths. Individual movable hoods are particularly suitable for bench welding, but can be used for any welding or cutting job provided that the hood can be moved so that it is always close to the joint being welded. These hoods are more economical to operate than a general ventilation system, particularly in cold weather, because they require less replacement air to be brought into the room and heated.

Minimum required air velocity at the zone of welding is 100 fpm when the hood is at its farthest position from the joint being welded. For a 3-in. wide-flanged suction opening, this velocity requires an air volume of 150 cfm at 4 to 6 in. from the arc, and 600 cfm at 12 in. from the arc.

A ventilated booth (Fig. 15-2) is a second type of local exhaust arrangement. A booth is a fixed enclosure that consists of a top and at least two sides that surround the welding operation. Airflow requirements are similar to those for movable hoods — sufficient to maintain a velocity away from the weldor of at least 100 fpm.

## Welding in Confined Spaces

Welding in small and restricted spaces — such as tanks, boilers, or small compartments of a ship — require particular care to prevent the accumulation

of toxic materials and to ensure that personnel have adequate air for breathing. All air that is exhausted must be replaced with clean air.

Where it is impossible to provide such ventilation in confined spaces, weldors and helpers should wear hose masks, hose masks with blowers, or self-contained breathing equipment of a type that is approved for such use by the U.S. Bureau of Mines. In addition, a worker should be stationed outside of each enclosed or confined space during welding to ensure the safety of those working inside.

#### Bibliography – Welding Safety Practices

1. *Safety in Welding and Cutting*, ANSI Standard Z49.1, published by the American Welding Society Inc., New York, N.Y.

2. *Standard for Fire Protection in Use of Cutting and Welding Processes*, NFPA 51B, National Fire Protection Association, Boston, Mass.

3. *Recommended Safe Practices for Gas-Shielded Arc Welding*, AWS A6.1, American Welding Society Inc., New York, N.Y.

4. *Safe Practices for Welding and Cutting Containers That Have Held Combustibles*, AWS A6.0, American Welding Society Inc., New York, N.Y.

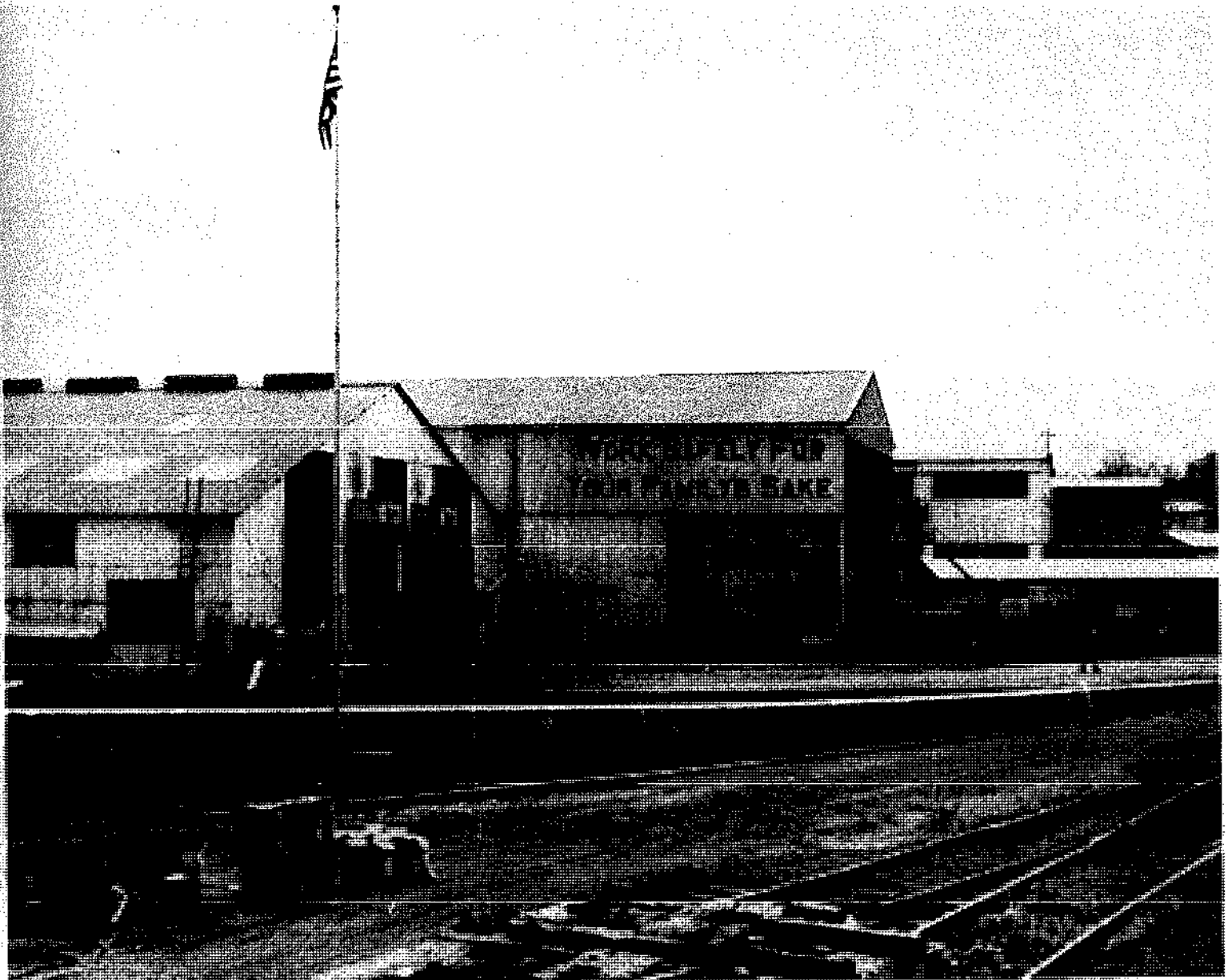
5. *Procedures for Cleaning Small Tanks and Containers*, NFPA 327, National Fire Protection Association, Boston, Mass.

6. *Standard for the Control of Gas Hazards on Vessels to be Repaired*, NFPA 306, National Fire Protection Association, Boston, Mass.

7. *Cleaning Tanks Used for Gasoline or Similar Low-Flash Products*, API Bulletin 2016, American Petroleum Institute, New York, N.Y.

8. *Purging Principles and Practices*, American Gas Association, New York, N.Y.

9. *Safety Code for Head, Eye, and Respiratory Protection*, ANSI Standard Z2.1, American National Standards Institute, New York, N.Y.





# SAE Alloy Steel Compositions SAE J404g

SAE No.	Composition,* %								Corresponding AISI No.
	C	Mn	P	S	Si	Ni	Cr	Other	
1330	0.28-0.33	1.60-1.90	0.035	0.040	0.20-0.35	—	—	—	1330
1335	0.33-0.38	1.60-1.90	0.035	0.040	0.20-0.35	—	—	—	1335
1340	0.38-0.43	1.60-1.90	0.035	0.040	0.20-0.35	—	—	—	1340
1345	0.43-0.48	1.60-1.90	0.035	0.040	0.20-0.35	—	—	Mo	1345
4012	0.09-0.14	0.75-1.00	0.035	0.040	0.20-0.35	—	—	0.15-0.25	4012
4023	0.20-0.25	0.70-0.90	0.035	0.040	0.20-0.35	—	—	0.20-0.30	4023
4024	0.20-0.25	0.70-0.90	0.035	0.035-0.050	0.20-0.35	—	—	0.20-0.30	4024
4027	0.25-0.30	0.70-0.90	0.035	0.040	0.20-0.35	—	—	0.20-0.30	4027
4028	0.25-0.30	0.70-0.90	0.035	0.035-0.050	0.20-0.35	—	—	0.20-0.30	4028
4032	0.30-0.35	0.70-0.90	0.035	0.040	0.20-0.35	—	—	0.20-0.30	—
4037	0.35-0.40	0.70-0.90	0.035	0.040	0.20-0.35	—	—	0.20-0.30	4037
4042	0.40-0.45	0.70-0.90	0.035	0.040	0.20-0.35	—	—	0.20-0.30	—
4047	0.45-0.50	0.70-0.90	0.035	0.040	0.20-0.35	—	—	0.20-0.30	4047
4118	0.18-0.23	0.70-0.90	0.035	0.040	0.20-0.35	—	0.40-0.60	0.08-0.15	4118
4130	0.28-0.33	0.40-0.60	0.035	0.040	0.20-0.35	—	0.80-1.10	0.15-0.25	4130
4135	0.33-0.38	0.70-0.90	0.035	0.040	0.20-0.35	—	0.80-1.10	0.15-0.25	—
4137	0.35-0.40	0.70-0.90	0.035	0.040	0.20-0.35	—	0.80-1.10	0.15-0.25	4137
4140	0.38-0.43	0.75-1.00	0.035	0.040	0.20-0.35	—	0.80-1.10	0.15-0.25	4140
4142	0.40-0.45	0.75-1.00	0.035	0.040	0.20-0.35	—	0.80-1.10	0.15-0.25	4142
4145	0.43-0.48	0.75-1.00	0.035	0.040	0.20-0.35	—	0.80-1.10	0.15-0.25	4145
4147	0.45-0.50	0.75-1.00	0.035	0.040	0.20-0.35	—	0.80-1.10	0.15-0.25	4147
4150	0.48-0.53	0.75-1.00	0.035	0.040	0.20-0.35	—	0.80-1.10	0.15-0.25	4150
4161	0.56-0.64	0.75-1.00	0.035	0.040	0.20-0.35	—	0.70-0.90	0.25-0.35	4161
4320	0.17-0.22	0.45-0.65	0.035	0.040	0.20-0.35	1.65-2.00	0.40-0.60	0.20-0.30	4320
4340	0.38-0.43	0.60-0.80	0.035	0.040	0.20-0.35	1.65-2.00	0.70-0.90	0.20-0.30	4340
E4340†	0.38-0.43	0.65-0.85	0.025	0.025	0.20-0.35	1.65-2.00	0.70-0.90	0.20-0.30	E4340
4419	0.18-0.23	0.45-0.65	0.035	0.040	0.20-0.35	—	—	0.45-0.60	4419
4422	0.20-0.25	0.70-0.90	0.035	0.040	0.20-0.35	—	—	0.35-0.45	—
4427	0.24-0.29	0.70-0.90	0.035	0.040	0.20-0.35	—	—	0.35-0.45	—
4615	0.13-0.18	0.45-0.65	0.035	0.040	0.20-0.35	1.65-2.00	—	0.20-0.30	4615
4617	0.15-0.20	0.45-0.65	0.035	0.040	0.20-0.35	1.65-2.00	—	0.20-0.30	—
4620	0.17-0.22	0.45-0.65	0.035	0.040	0.20-0.35	1.65-2.00	—	0.20-0.30	4620
4621	0.18-0.23	0.70-0.90	0.035	0.040	0.20-0.35	1.65-2.00	—	0.20-0.30	4621
4626	0.24-0.29	0.45-0.65	0.035	0.04 max	0.20-0.35	0.70-1.00	—	0.15-0.25	4626
4718	0.16-0.21	0.70-0.90	—	—	—	0.90-1.20	0.35-0.55	0.30-0.40	4718
4720	0.17-0.22	0.50-0.70	0.035	0.040	0.20-0.35	0.90-1.20	0.35-0.55	0.15-0.25	4720
4815	0.13-0.18	0.40-0.60	0.035	0.040	0.20-0.35	3.25-3.75	—	0.20-0.30	4815
4817	0.15-0.20	0.40-0.60	0.035	0.040	0.20-0.35	3.25-3.75	—	0.20-0.30	4817
4820	0.18-0.23	0.50-0.70	0.035	0.040	0.20-0.35	3.25-3.75	—	0.20-0.30	4820
5015	0.12-0.17	0.30-0.50	0.035	0.040	0.20-0.35	—	0.30-0.50	—	5015
50B40‡	0.38-0.43	0.75-1.00	0.035	0.040	0.20-0.35	—	0.40-0.60	—	—
50B44‡	0.43-0.48	0.75-1.00	0.035	0.040	0.20-0.35	—	0.40-0.60	—	50B44
5046	0.43-0.48	0.75-1.00	0.035	0.040	0.20-0.35	—	0.20-0.35	—	—
50B46‡	0.44-0.49	0.75-1.00	0.035	0.040	0.20-0.35	—	0.20-0.35	—	50B46
50B50‡	0.48-0.53	0.75-1.00	0.035	0.040	0.20-0.35	—	0.40-0.60	—	50B50
5060	0.56-0.64	0.75-1.00	0.035	0.040	0.20-0.35	—	0.40-0.60	—	—
50B60‡	0.56-0.64	0.75-1.00	0.035	0.040	0.20-0.35	—	0.40-0.60	—	50B60

\* Small quantities of certain elements are present which are not specified or required. Considered as incidental, they are acceptable to the following amounts: 0.35 Cu, 0.25 Ni, 0.20 Cr, and 0.06 Mo. †Electric furnace steel. ‡0.0005% B min.

**Section 16**  
**REFERENCE SECTION**

**SECTION 16.1**  
**REFERENCE SECTION**

	Page
Terms and Definitions .....	16.1-1
Welding Symbols .....	16.1-25
Chart of Welding Processes .....	16.1-30
Conversion Factors .....	16.1-31
Wire Data .....	16.1-39
Weights of Steel .....	16.1-43
Hardness Conversion .....	16.1-47
Temperature Conversion .....	16.1-52
Functions of Numbers .....	16.1-53
Cleaning and Painting Over Welds .....	16.1-63
Etching Solutions for Ferrous Alloys .....	16.1-64
Etching Solutions for Nonferrous Alloys ..	16.1-65

# SAE Alloy Steel Compositions

(Continued) SAE J404g

SAE No.	Composition,* %								Corresponding AISI No.
	C	Mn	P	S	Si	Ni	Cr	Other	
5115	0.13-0.18	0.70-0.90	0.035	0.040	0.20-0.35	—	0.70-0.90	—	—
5120	0.17-0.22	0.70-0.90	0.035	0.040	0.20-0.35	—	0.70-0.90	—	5120
5130	0.28-0.33	0.70-0.90	0.035	0.040	0.20-0.35	—	0.80-1.10	—	5130
5132	0.30-0.35	0.60-0.80	0.035	0.040	0.20-0.35	—	0.75-1.00	—	5132
5135	0.33-0.38	0.60-0.80	0.035	0.040	0.20-0.35	—	0.80-1.05	—	5135
5140	0.38-0.43	0.70-0.90	0.035	0.040	0.20-0.35	—	0.70-0.90	—	5140
5145	0.43-0.40	0.70-0.90	0.035	0.040	0.20-0.35	—	0.70-0.90	—	5145
5147	0.46-0.51	0.70-0.95	0.035	0.040	0.20-0.35	—	0.85-1.15	—	5147
5150	0.48-0.53	0.70-0.90	0.035	0.040	0.20-0.35	—	0.70-0.90	—	5150
5155	0.51-0.59	0.70-0.90	0.035	0.040	0.20-0.35	—	0.70-0.90	—	5155
5160	0.56-0.64	0.75-1.00	0.035	0.040	0.20-0.35	—	0.70-0.90	—	5160
51B60†	0.56-0.64	0.75-1.00	0.035	0.040	0.20-0.35	—	0.70-0.90	—	51B60
50100†	0.98-1.10	0.25-0.45	0.025	0.025	0.20-0.35	—	0.40-0.60	—	—
51100†	0.98-1.10	0.25-0.45	0.025	0.025	0.20-0.35	—	0.90-1.15	—	E51100
52100†	0.98-1.10	0.25-0.45	0.025	0.025	0.20-0.35	—	1.30-1.60	V	E52100
6118	0.16-0.21	0.50-0.70	0.035	0.040	0.20-0.35	—	0.50-0.70	0.10-0.15	6118
6150	0.48-0.53	0.70-0.90	0.035	0.040	0.20-0.35	—	0.80-1.10	0.15 Mo	6150
8115	0.13-0.18	0.70-0.90	0.035	0.040	0.20-0.35	0.20-0.40	0.30-0.50	0.08-0.15	8115
81B45†	0.43-0.48	0.75-1.00	0.035	0.040	0.20-0.35	0.20-0.40	0.35-0.55	0.08-0.15	81B45
8615	0.13-0.18	0.70-0.90	0.035	0.040	0.20-0.35	0.40-0.70	0.40-0.60	0.15-0.25	8615
8617	0.15-0.20	0.70-0.90	0.035	0.040	0.20-0.35	0.40-0.70	0.40-0.60	0.15-0.25	8617
8620	0.18-0.23	0.70-0.90	0.035	0.040	0.20-0.35	0.40-0.70	0.40-0.60	0.15-0.25	8620
8622	0.20-0.25	0.70-0.90	0.035	0.040	0.20-0.35	0.40-0.70	0.40-0.60	0.15-0.25	8622
8625	0.23-0.28	0.70-0.90	0.035	0.040	0.20-0.35	0.40-0.70	0.40-0.60	0.15-0.25	8625
8627	0.25-0.30	0.70-0.90	0.035	0.040	0.20-0.35	0.40-0.70	0.40-0.60	0.15-0.25	8627
8630	0.28-0.33	0.70-0.90	0.035	0.040	0.20-0.35	0.40-0.70	0.40-0.60	0.15-0.25	8630
8637	0.35-0.40	0.75-1.00	0.035	0.040	0.20-0.35	0.40-0.70	0.40-0.60	0.15-0.25	8637
8640	0.38-0.43	0.75-1.00	0.035	0.040	0.20-0.35	0.40-0.70	0.40-0.60	0.15-0.25	8640
8642	0.40-0.45	0.75-1.00	0.035	0.040	0.20-0.35	0.40-0.70	0.40-0.60	0.15-0.25	8642
8645	0.43-0.48	0.75-1.00	0.035	0.040	0.20-0.35	0.40-0.70	0.40-0.60	0.15-0.25	8645
86B45†	0.43-0.48	0.75-1.00	0.035	0.040	0.20-0.35	0.40-0.70	0.40-0.60	0.15-0.25	—
8650	0.48-0.53	0.75-1.00	0.035	0.040	0.20-0.35	0.40-0.70	0.40-0.60	0.15-0.25	—
8655	0.51-0.59	0.75-1.00	0.035	0.040	0.20-0.35	0.40-0.70	0.40-0.60	0.15-0.25	8655
8660	0.56-0.64	0.75-1.00	0.035	0.040	0.20-0.35	0.40-0.70	0.40-0.60	0.15-0.25	—
8720	0.18-0.23	0.70-0.90	0.035	0.040	0.20-0.35	0.40-0.70	0.40-0.60	0.20-0.30	8720
8740	0.38-0.43	0.75-1.00	0.035	0.040	0.20-0.35	0.40-0.70	0.40-0.60	0.20-0.30	8740
8822	0.20-0.25	0.75-1.00	0.035	0.040	0.20-0.35	0.40-0.70	0.40-0.60	0.30-0.40	8822
9254	0.51-0.59	0.50-0.80	0.035	0.040	1.20-1.60	—	0.50-0.80	—	—
9255	0.51-0.59	0.70-0.95	0.035	0.040	1.80-2.20	—	—	—	9255
9260	0.56-0.64	0.75-1.00	0.035	0.040	1.80-2.20	—	—	—	9260
9310	0.08-0.13	0.45-0.65	0.025	0.025	0.20-0.35	3.00-3.50	1.00-1.40	0.08-0.15	—
94B15†	0.13-0.18	0.75-1.00	0.035	0.040	0.20-0.35	0.30-0.60	0.30-0.50	0.08-0.15	—
94B17†	0.15-0.20	0.75-1.00	0.035	0.040	0.20-0.35	0.30-0.60	0.30-0.50	0.08-0.15	94B17
94B30†	0.28-0.33	0.75-1.00	0.035	0.040	0.20-0.35	0.30-0.60	0.30-0.50	0.08-0.15	94B30

\* Small quantities of certain elements are present which are not specified or required. Considered as incidental, they are acceptable to the following amounts: 0.35 Cu, 0.25 Ni, 0.20 Cr, and 0.06 Mo. †Electric furnace steel. ‡0.0005% 8 min.

## Terms and Definitions

The following figures and definitions all pertain to arc welding and are taken from the American Welding Society publication "Terms and Definitions," AWS A3.0-69. The complete standard may be ordered from the American Welding Society, 2501 N.W. 7th Street, Miami, Florida 33125. The complete standard covers all types of welding and cutting.

### A

**Accelerating Potential:** In electron beam welding the potential that imparts the velocity to the electrons, thus, giving them energy.

**Actual Throat:** See Throat of a Fillet Weld.

**Air Carbon-Arc Cutting (AAC):** An arc-cutting process wherein the severing of metals is effected by melting with the heat of an arc between an electrode and the base metal and an air stream is used to facilitate cutting.

**All-Weld-Metal Test Specimen:** A test specimen wherein the portion being tested is composed wholly of weld metal.

**Angle of Bevel:** See preferred term Bevel Angle.

**Arc Blow:** The deflection of an electric arc from its normal path because of magnetic forces.

**Arc Cutting (AC):** A group of cutting processes wherein the severing or removing of metals is effected by melting with the heat of an arc between an electrode and the base metal. See Carbon-Arc Cutting, Metal-Arc Cutting, Gas Metal-Arc Cutting, Gas Tungsten-Arc Cutting, Plasma-Arc Cutting, and Air Carbon-Arc Cutting. Compare with Oxygen-Arc Cutting.

**Arc Force:** The pressure developed on the surface of the molten metal by the Arc Plasma.

**Arc Gouging:** An application of arc cutting wherein a bevel or groove is formed.

**Arc Oxygen Cutting:** See preferred term Oxygen-Arc Cutting.

**Arc-Spot Weld:** A spot weld made by an arc welding process.

**Arc-Spot Welding:** A term erroneously used to describe a spot weld made by an arc-welding process; last defined in 1961 as follows:

An arc-welding process wherein coalescence at the faying surfaces is produced in one spot by heating with an electric arc between an electrode and the work. The weld is made without preparing a hole in either member. Filler metal or a shielding gas or flux may or may not be used.

**Arc-Time:** The length of time the arc is maintained in making an arc weld.

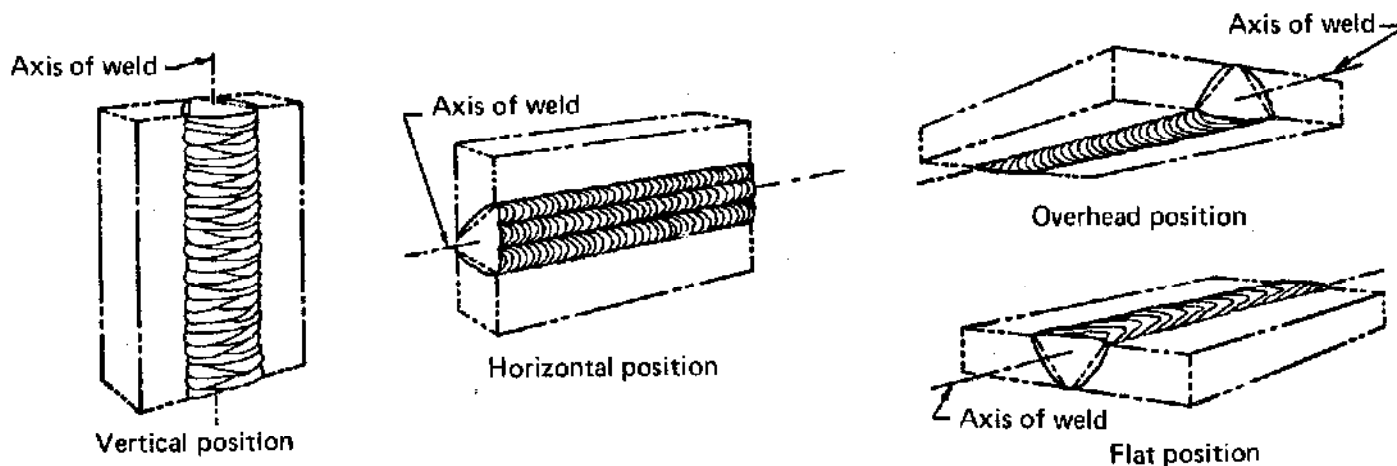


Fig. 1. Positions of Welding for Groove Welds

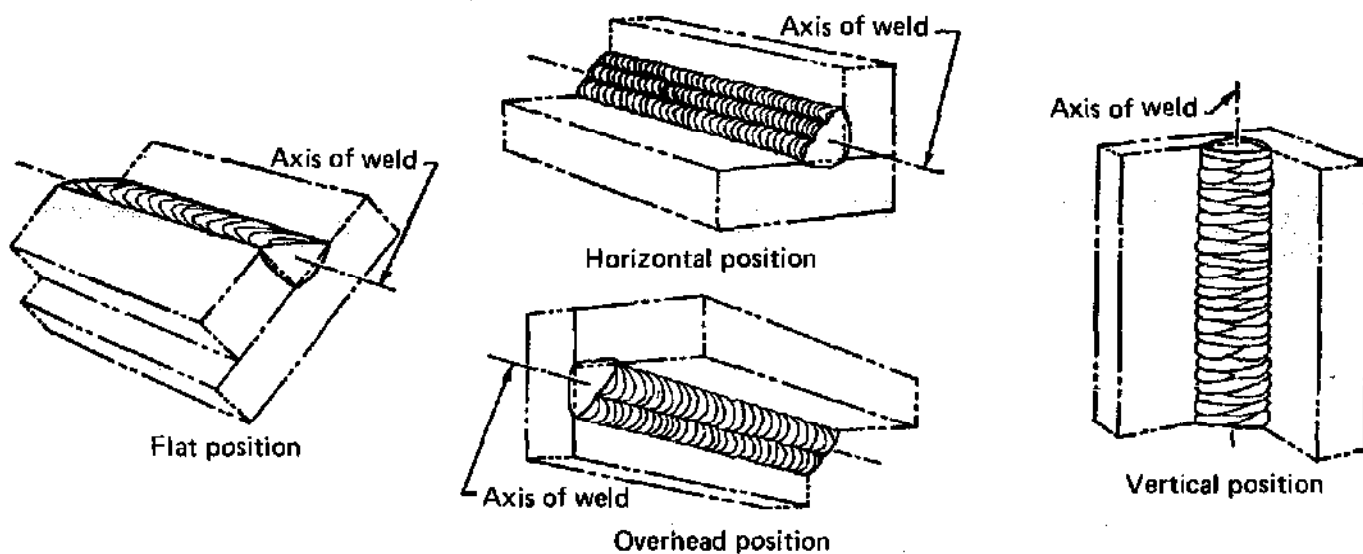


Fig. 2. Positions of Welding for Fillet Welds

**Arc Voltage:** The voltage across the welding arc.

**Arc Welding:** A group of welding processes wherein coalescence is produced by heating with an arc or arcs, with or without the application of pressure and with or without the use of filler metal.

**As-Welded:** The condition of weld metal, welded joints and weldments after welding prior to any subsequent aging, thermal, mechanical or chemical treatments.

**Atomic Hydrogen Welding (AHW):** A term of limited use, no longer of industrial significance, last defined in 1961 as follows:

An arc-welding process wherein coalescence is produced by heating with an electric arc maintained between two metal electrodes in an atmosphere of hydrogen. Shielding is obtained from the hydrogen. Pressure may or may not be used and filler metal may or may not be used.

**Automatic Welding:** Welding with equipment which performs the entire welding operation without constant observation and adjustment of the controls by an operator. The equipment may or may not perform the loading and unloading of the work. See Machine Welding.

**Axis of a Weld:** A line through the length of a weld, perpendicular to the cross-section at its center of gravity. See Figs. 1 and 2.

## B

**Back Bead:** See preferred term Back Weld.

**Back Gouging:** The forming of a bevel or groove on

the other side of a partially welded joint to assure complete penetration upon subsequent welding from that side.

**Backhand Welding:** A welding technique wherein the welding torch or gun is directed opposite to the progress of welding. See Fig. 3.

**Backing:** Material (metal, weld metal, asbestos, carbon, granular flux, gas, etc.) backing up the joint during welding.

**Backing Bead:** See preferred term Backing Weld.

**Backing Filler Metal:** Filler metal in the form of a ring, strip or consumable insert, fused in a single-welded joint.

**Backing Pass:** A pass made to deposit a backing weld.

**Backing Ring:** Backing in the form of a ring, generally used in the welding of piping.

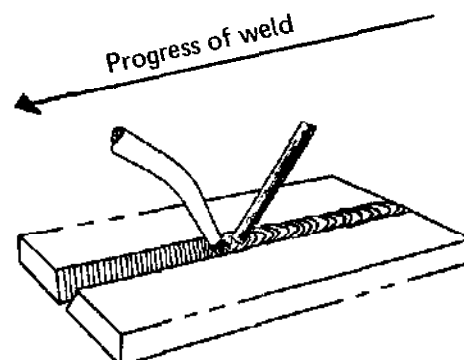


Fig. 3. Backhand Welding

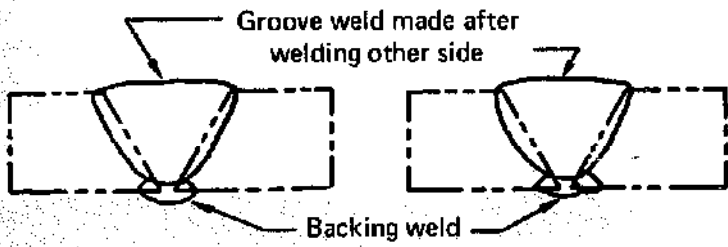


Fig. 4. Backing Welds

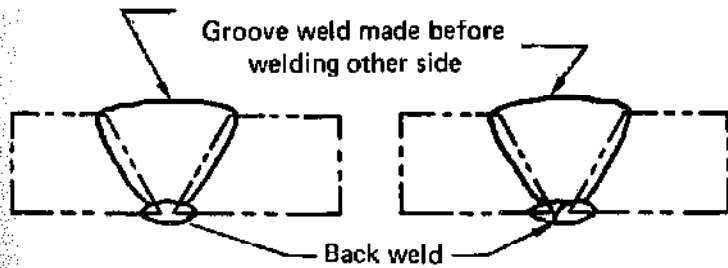


Fig. 5. Back Welds

**Backing Strap:** See preferred term Backing Strip.

**Backing Strip:** Backing in the form of a strip.

**Backing Weld:** Backing in the form of a weld. See Fig. 4.

**Backing Pass:** A pass made to deposit a back weld.

**Back Weld:** A weld deposited at the back of a single-groove weld. See Fig. 5.

**Backstep Sequence:** A longitudinal sequence wherein the weld bead increments are deposited in the direction opposite to the progress of welding the joint. See Fig. 6. See Block Sequence, Longitudinal Sequence, etc.

**Bare Electrode:** See Electrode.

**Bare Metal-Arc Welding (BMAW):** A term of limited use, no longer of industrial significance, last defined in 1961 as follows:

An arc-welding process wherein coalescence is produced by heating with an electric arc between a bare or lightly-coated metal electrode and the work and no shielding is used. Pressure is not used and filler metal is obtained from the electrode.

**Base Metal:** The metal to be welded, soldered or cut.

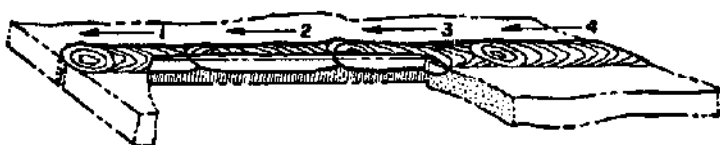


Fig. 6. Backstep Sequence

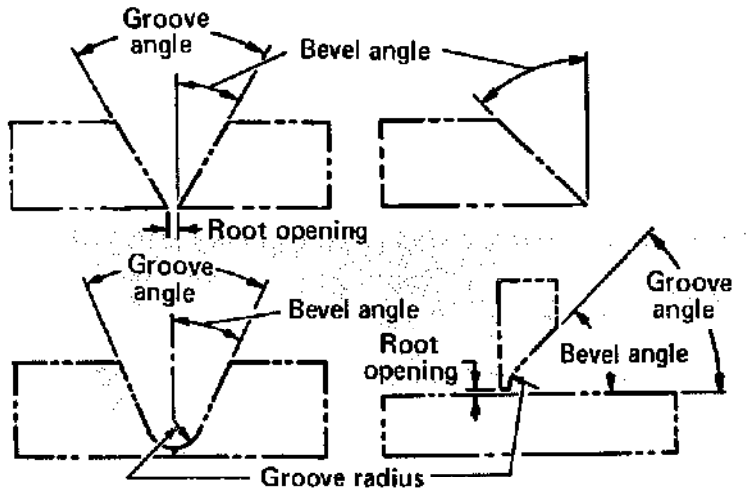


Fig. 7. Bevel Angle, Groove Angle, Groove Radius and Root Opening

Unwelded spaces filled after deposition of intermittent blocks

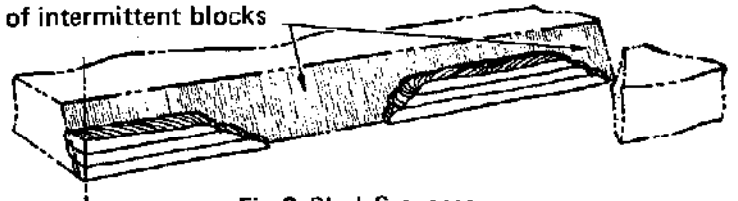


Fig. 8. Block Sequence

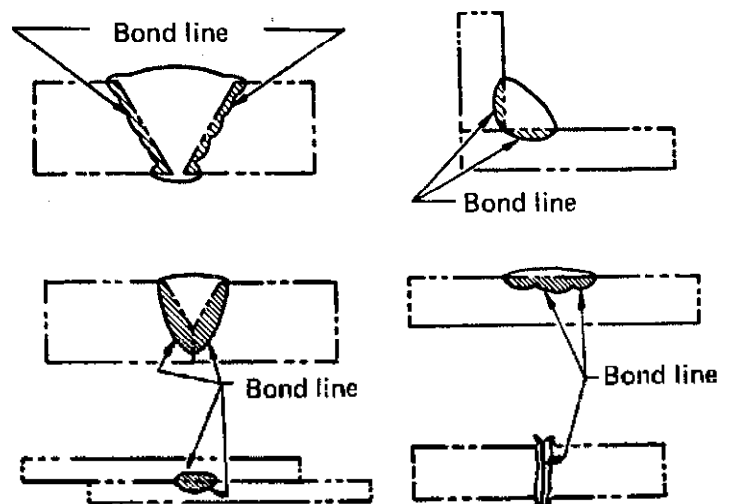
**Base-Metal Test Specimen:** A test specimen composed wholly of base metal.

**Bead:** See preferred term Weld Bead.

**Bead Weld:** See preferred term Surfacing Weld.

**Bevel:** An angular type of edge preparation. See Fig. 7.

**Bevel Angle:** The angle formed between the prepared edge of a member and a plane perpendicular to the surface of the member. See Fig. 7.



(Fusion zones indicated by cross-hatching)

Fig. 9. Bond Line and Fusion Zone

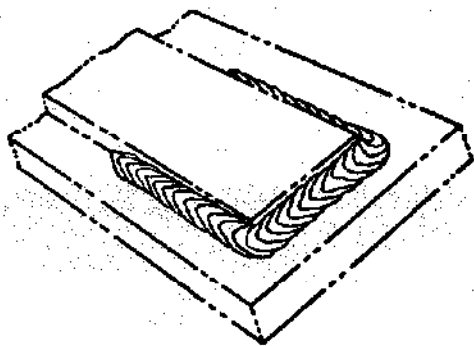


Fig. 10. Boxing



Fig. 11. Buildup Sequence

**Block Sequence:** A combined longitudinal and buildup sequence for a continuous multiple-pass weld wherein separated lengths are completely or partially built up in cross-section before intervening lengths are deposited. See Backstep Sequence, Longitudinal Sequence, etc. See Fig. 8.

**Blowhole:** See preferred term Gas Pocket.

**Bond Line:** The junction of the weld metal and the base metal or the junction of the base metal parts when weld metal is not present. See Fig. 9.

**Boxing:** The operation of continuing a fillet weld around a corner of a member as an extension of the principal weld. See Fig. 10.

**Buildup Sequence:** The order in which the weld beads of a multiple-pass well are deposited with respect to the cross-section of the joint. See Block Sequence, Longitudinal Sequence, etc. See Fig. 11.

**Burnoff Rate:** See preferred term Melting Rate.

**Burn-Thru:** A term erroneously used to denote excessive Melt-Thru or a hole. See Melt-Thru.

**Burn-Thru Weld:** A term erroneously used to denote a Seam Weld and Spot Weld.

**Buttering:** See preferred term Surfacing.

**Butt Joint:** A joint between two members lying approximately in the same plane. See Fig. 12.

**Butt Weld:** A weld in a butt joint.

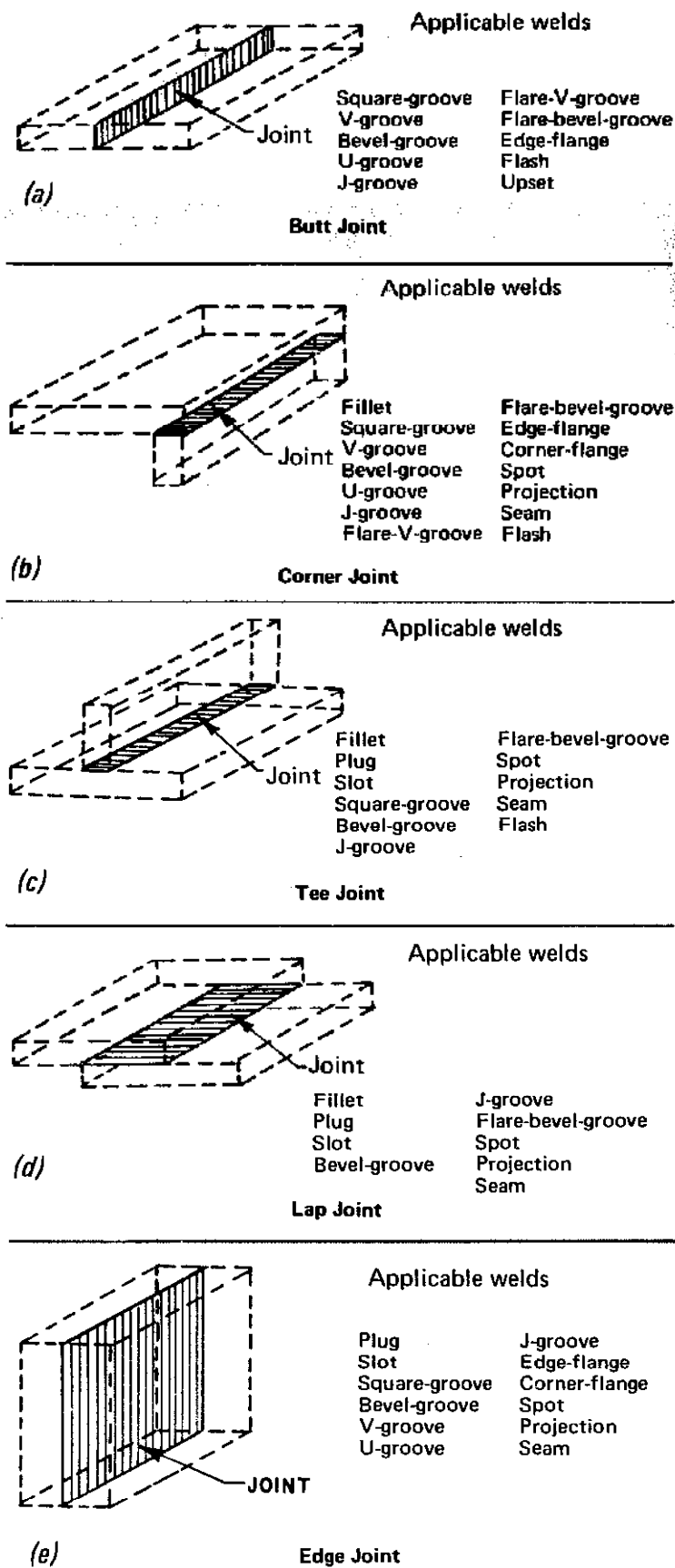


Fig. 12. Types of Joints

C

**Carbon-Arc Cutting (CAC):** An arc-cutting process wherein the severing of metals is effected by melting with the heat of an arc between a carbon electrode and the base metal.

**Carbon-Arc Welding (CAW):** An arc-welding process wherein coalescence is produced by heating with an arc between a carbon electrode and the work and no shielding is used. Pressure may or may not be used and filler metal may or may not be used.

**Carbon Electrode:** See Electrode.

**Carbon-Electrode Arc Welding:** A term of limited use, no longer of industrial significance, last defined in 1961 as follows:

A group of arc-welding processes wherein carbon electrodes are used. See Shielded Carbon-Arc Welding, Gas Carbon-Arc Welding, Carbon-Arc Welding, and Twin-Carbon Arc Welding.

**Cascade Sequence:** A combined longitudinal and buildup sequence wherein weld beads are deposited in overlapping layers. (In manual shielded metal arc welding a backstep sequence is normally used.) See Block Sequence, Buildup Sequence, Longitudinal Sequence, etc. See Fig. 13.

**Caulk Weld:** See preferred term Seal Weld.

**Chain Intermittent Fillet Welding:** Two lines of intermittent fillet welding on a joint wherein the fillet weld increments in one line are approximately opposite to those in the other line. See Fig. 14.

**Chamfer:** See preferred term Bevel.

**Chill Ring:** See preferred term Backing Ring.

**Cladding:** See preferred term Surfacing.

**Closed Joint:** A term erroneously used to indicate a zero root opening.

**Coalescence:** The growing together, or growth into one body, of the base metal parts.

**Coated Electrode:** See preferred terms Covered Electrode and Lightly-Coated Electrode.

**Coil without Support:** A filler metal package type consisting of a continuous length of electrode in coil form without an internal support. It is appropriately bound to maintain its shape.

**Coil with Support:** A filler metal package type consisting of a continuous length of electrode in coil form wound on an internal support which is a simple cylindrical section without flanges. See Fig.

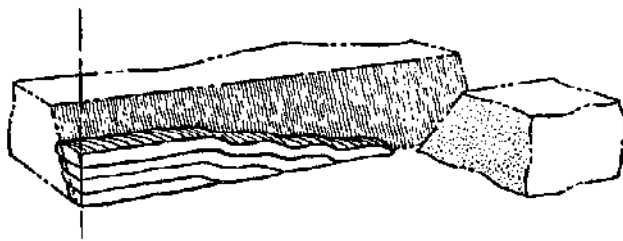


Fig. 13. Cascade Sequence

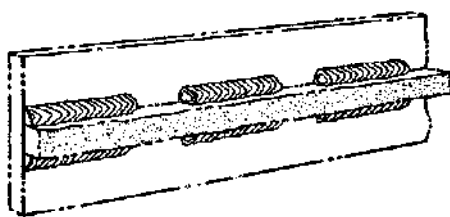


Fig. 14. Chain Intermittent Fillet Welding

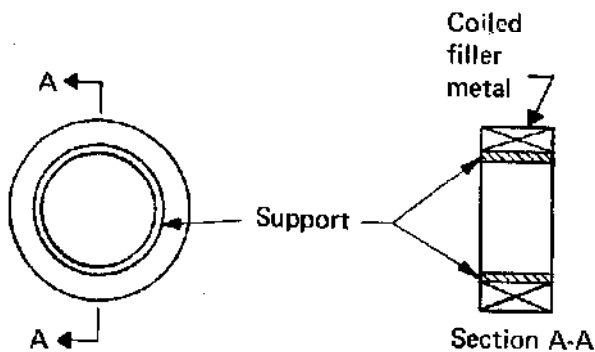


Fig. 15. Coil with Support

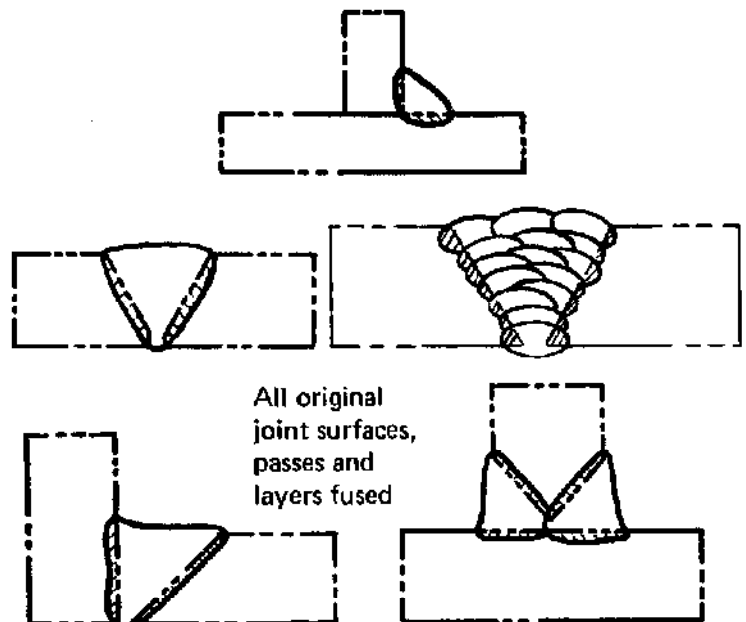


Fig. 16. Complete Fusion



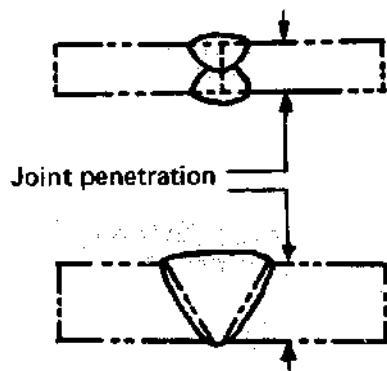


Fig. 17. Complete Joint Penetration

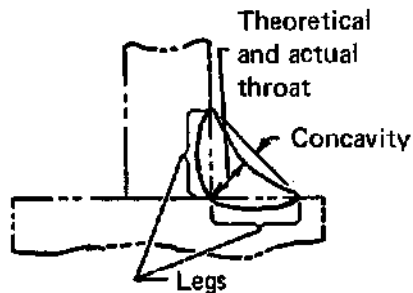


Fig. 18. Concave Fillet Weld

15. (A previous name for this package type was Rim.)

**Complete Fusion:** Fusion which has occurred over the entire base-metal surfaces exposed for welding, and between all layers and passes. See Fig. 16.

**Complete Joint Penetration:** Joint penetration which extends completely through the joint. See Joint Penetration. See Fig. 17.

**Complete Penetration:** See preferred term Complete Joint Penetration.

**Composite Electrode:** See Electrode.

**Composite Joint:** A joint wherein welding is used in conjunction with a joining process other than welding.

**Concave Fillet Weld:** A fillet weld having a concave face. See Fig. 18.

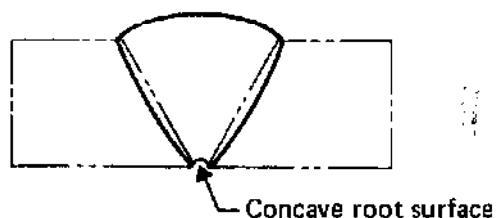


Fig. 19. Concave Root Surface

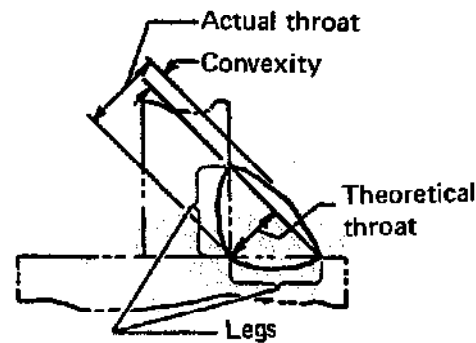
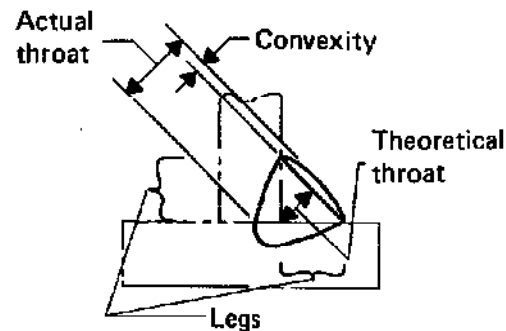


Fig. 20. Convex Fillet Weld



**Concave Root Surface:** A root surface which is concave. See Fig. 19.

**Concavity:** The maximum distance from the face of a concave fillet weld perpendicular to a line joining the toes. See Fig. 18.

**Concurrent Heating:** The application of supplemental heat to a structure during a welding or cutting operation.

**Consumable Guide Electroslag Welding:** See Electroslag Welding.

**Consumable Insert:** See preferred term Backing Filler Metal.

**Contactors:** A device for repeatedly establishing and interrupting an electric power circuit.

**Continuous Sequence:** A longitudinal sequence wherein each pass is made continuously from one end of the joint to the other. See Backstep Sequence, Longitudinal Sequence, etc.

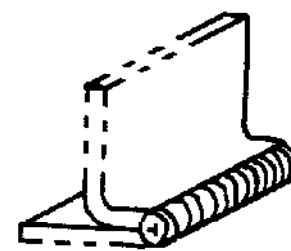


Fig. 21. Corner-Flange Weld

**Continuous Weld:** A weld which extends continuously from one end of a joint to the other. Where the joint is essentially circular, it extends completely around the joint.

**Convex Fillet Weld:** A fillet weld having a convex face. See Fig. 20.

**Convexity:** The maximum distance from the face of a convex fillet weld perpendicular to a line joining the toes. See Fig. 20.

**Corner-Flange Weld:** A flange weld with only one member flanged at the location of welding. See Fig. 21.

**Corner Joint:** A joint between two members located approximately at right angles to each other in the form of an L. See Fig. 12.

**Corrosive Flux:** A flux with a residue that chemically attacks the base metal. It may be composed of inorganic salts and acids, organic salts and acids or

activated rosins or resins.

**Cover Glass:** A clear transparent material used in goggles, hand shields, and helmets to protect the filter lens from spattering material.

**Covered Electrode:** See Electrode.

**CO<sub>2</sub> Welding:** See preferred term Gas Metal-Arc Welding.

**Crater:** In arc welding, a depression at the termination of a weld bead or in the weld pool beneath the electrode.

**Crater Crack:** A crack in the crater of a weld bead.

**Cross Wire Weld:** A weld made between crossed wires or bars.

**Cup:** See preferred term Nozzle.

**Cutting Process:** A process wherein the severing or removing of metals is effected. See Arc Cutting and Oxygen Cutting.



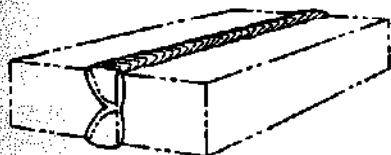
Double-vee-groove weld



Double-bevel-groove weld



Single-vee-groove weld



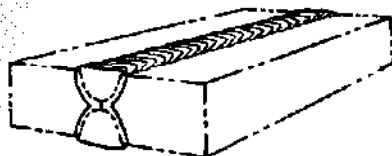
Double-J-groove weld



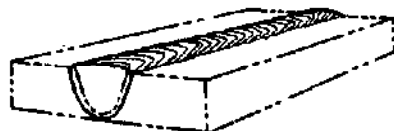
Single-J-groove weld



Single-bevel-groove weld



Double-U-groove weld



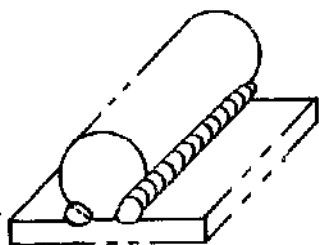
Single-U-groove weld



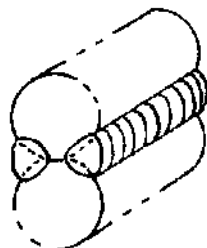
Square-groove weld



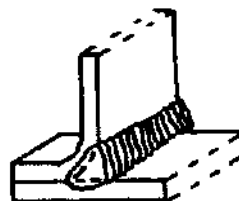
Square-groove weld



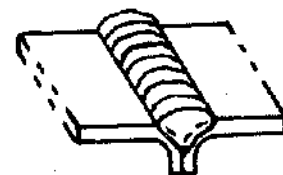
Double-flare bevel groove weld



Double-flare vee groove weld



Single-flare-bevel-groove weld



Single-flare-vee-groove weld

Fig. 22. Types of Groove Welds

**D**

**Deposit Sequence:** See preferred term Deposition Sequence.

**Deposited Metal:** Filler metal that has been added during a welding operation.

**Deposition Efficiency:** The ratio of the weight of deposited metal to the net weight of electrodes consumed, exclusive of stubs.

**Deposition Rate:** The weight of metal deposited in a unit of time.

**Deposition Sequence:** The order in which the increments of weld metal are deposited. See Longitudinal Sequence and Buildup Sequence.

**Depth of Fusion:** The distance that fusion extends into the base metal or previous pass from the surface melted during welding. See Fig. 31.

**Double-Bevel-Groove Weld:** A type of groove weld. See Fig. 22.

**Double-Flare-Bevel-Groove Weld:** A type of groove weld. See Fig. 22.

**Double-Flare-Vee-Groove Weld:** A type of groove weld. See Fig. 22.

**Double-J-Groove Weld:** A type of groove weld. See Fig. 22.

**Double-U-Groove Weld:** A type of groove weld. See Fig. 22.

**Double-Vee-Groove Weld:** A type of groove weld. See Fig. 22.

**Double-Welded Joint:** In arc and gas welding, any joint welded from both sides. See Fig. 23.

**Downhand:** See preferred term Flat Position.

**Drop-Thru:** An undesirable sagging or surface irregularity, usually encountered when brazing or welding near the solidus of the base metal caused by over-

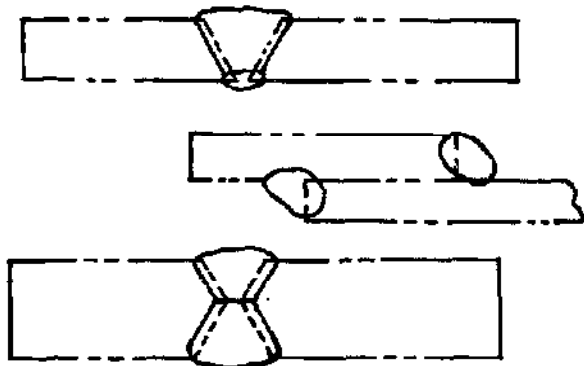


Fig. 23. Double-Welded Joint

heating with rapid diffusion or alloying between the filler metal and the base metal.

**Drum:** A filler metal package type consisting of a continuous length of electrode wound or coiled within an enclosed cylindrical container.

**Duty:** A statement of operating conditions to which the machine or apparatus is subjected, their representative durations and their sequence in time.

**E**

**Edge-Flange Weld:** A flange weld with two members flanged at the location of welding. See Fig. 24.

**Edge Joint:** A joint between the edges of two or more parallel or nearly parallel members. See Fig. 12.

**Edge Preparation:** The contour prepared on the edge of a member for welding.

**Edge Weld:** A term erroneously used to denote a weld in an edge joint.

**Effective Length of Weld:** The length of weld throughout which the correctly proportioned cross-section exists. In a curved weld, it shall be measured along the centerline of the throat.

**Electrode:**

**Arc Welding** — A component of the welding circuit through which current is conducted between the electrode holder and the arc.

**Bare Electrode** — A filler-metal electrode, used in arc welding, consisting of a metal wire with no coating other than that incidental to its manufacture or preservation.

**Carbon Electrode** — A non-filler-metal electrode, used in welding or cutting consisting of a carbon or graphite rod. The electrode may or may not be coated with copper.

**Composite Electrode** — A filler-metal electrode, used in arc welding, consisting of more than one metal component combined mechanically. It may or may not include materials which protect the molten metal from the atmosphere, improve the

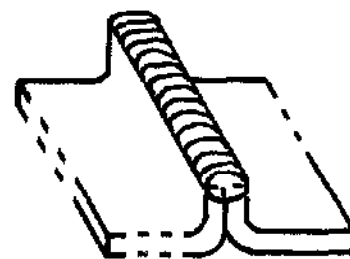


Fig. 24. Edge-Flange Weld

the source of arc-welding current and the electrode holder. See Figs. 25 and 26.

**Electrogas Welding:** A method of Gas Metal-Arc Welding or Flux Cored Arc Welding wherein an external gas is supplied and molding shoes confine the molten weld metal for vertical position welding.

**Electron Beam Welding (EBW):** A welding process wherein coalescence is produced by the heat obtained from a concentrated beam composed primarily of high velocity electrons impinging upon the surfaces to be joined.

**Electroslag Welding (EW):** A welding process wherein coalescence is produced by molten slag which melts the filler metal and the surfaces of the work to be welded. The weld pool is shielded by this slag which moves along the full cross-section of the joint as welding progresses. The conductive slag is maintained molten by its resistance to electric current passing between the electrode and the work.

*Consumable Guide Electroslag Welding.* — A method of electroslag welding wherein filler metal is supplied by an electrode and its guiding member.

**Emissive Electrode:** See Electrode.

**End Return:** See preferred term Boxing.

**F**

**Face Reinforcement:** Reinforcement of weld at the side of the joint from which welding was done. See Fig. 27.

**Face of Weld:** The exposed surface of a weld on the side from which welding was done. See Fig. 28.

**Face Shield:** See preferred term Hand Shield and Helmet.

**Faying Surface:** That surface of a member which is in contact or in close proximity with another member to which it is to be joined.

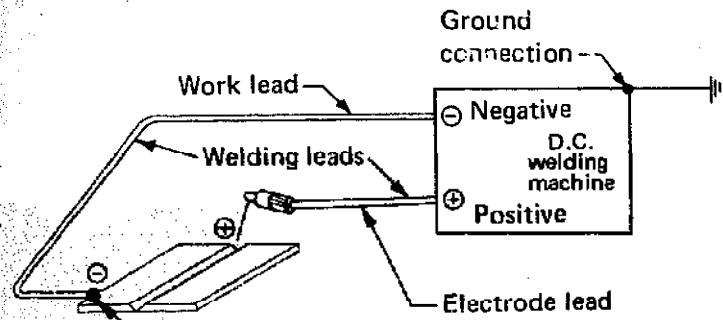


Fig. 25. Reverse Polarity

properties of the weld metal or stabilize the arc.  
**Covered Electrode** — A filler-metal electrode, used in arc welding, consisting of a metal core wire with a relatively thick covering which provides protection for the molten metal from the atmosphere, improves the properties of the weld metal and stabilizes the arc.

**Emmissive Electrode** — A filler metal electrode used in Gas Metal-Arc Welding consisting of a metal wire with a very light coating applied during manufacture.

**Flux Cored Electrode** — A continuous filler metal electrode consisting of a metal tube containing flux. Additional ingredients may be included.

**Lightly-coated Electrode** — A filler-metal electrode, used in arc welding, consisting of a metal wire with a light coating applied subsequent to the drawing operation, primarily for stabilizing the arc.

**Metal Electrode** — A filler- or non-filler-metal electrode, used in arc welding, consisting of a metal wire, with or without a covering or coating.

**Tungsten Electrode** — A non-filler-metal electrode, used in arc welding, made principally of tungsten.

**Electrode Holder:** A device used for mechanically holding the electrode and conducting current to it.

**Electrode Lead:** The electrical conductor between

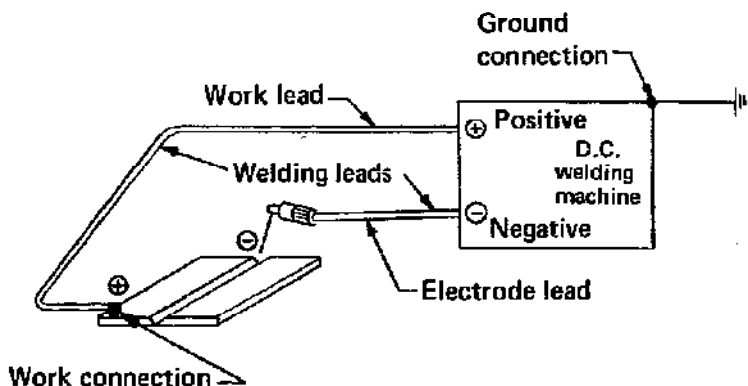


Fig. 26. Straight Polarity

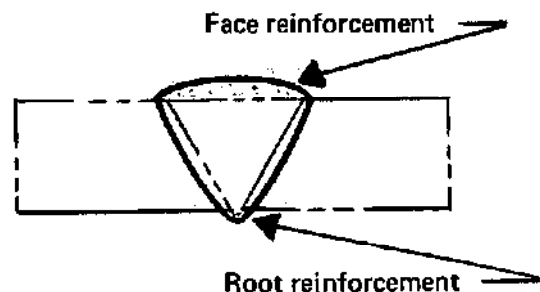


Fig. 27. Reinforcement of Weld

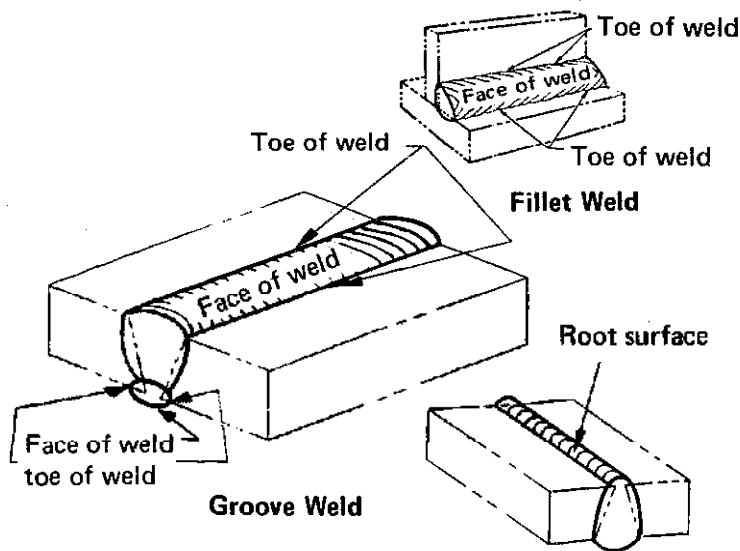


Fig. 28. Face, Root Surface, and Toe of Weld

**Filler Metal:** The metal to be added in making a welded, brazed, or soldered joint. See *Electrode, Welding Rod and Backing Filler Metal*.

**Fillet Weld:** A weld of approximately triangular cross-section joining two surfaces approximately at right angles to each other in a lap joint, tee joint, or corner joint. See Figs. 18, 20 and 29.

**Fillet Weld Size:** See preferred term *Size of Weld*.

**Filter Glass:** See preferred term *Filter Lens*.

**Filter Lens:** A filter, usually colored glass, used in goggles, helmets and handshields to exclude harmful light rays.

**Fixture:** A device designed to hold parts to be joined in proper relation to each other.

**Flange Weld:** A weld made on the edges of two or more members to be joined, at least one of which is flanged. See Figs. 21 and 24.

**Flare-Bevel-Groove Weld:** See *Single-Flare-Bevel-Groove Weld* and *Double-Flare-Bevel-Groove Weld*. See Fig. 22.

**Flare-Vee-Groove Weld:** See *Single-Flare-Vee-Groove Weld* and *Double-Flare-Vee-Groove Weld*. See Fig. 22.

**Flat Position:** The position of welding wherein welding is performed from the upper side of the joint and the face of the weld is approximately horizontal. See Figs. 3 and 5.

**Flowability:** The ability of molten filler metal to flow or spread over a metal surface.

**Flow Point:** A term erroneously used to denote the temperature at which the filler metal will flow.

**Flux:** Material used to prevent, dissolve or facilitate removal of oxides and other undesirable substances.

**Flux Cored Arc Welding (FCAW):** An arc welding process wherein coalescence is produced by heating with an arc, between a continuous filler metal (consumable) electrode and the work. Shielding is obtained from a flux contained within the electrode. Additional shielding may or may not be obtained from an externally supplied gas or gas mixture.

**Flux Cored Electrode:** See *Electrode*.

**Focal Point:** The point of minimum diameter in electron beam welding where the electrons cross from one side of the beam to the other.

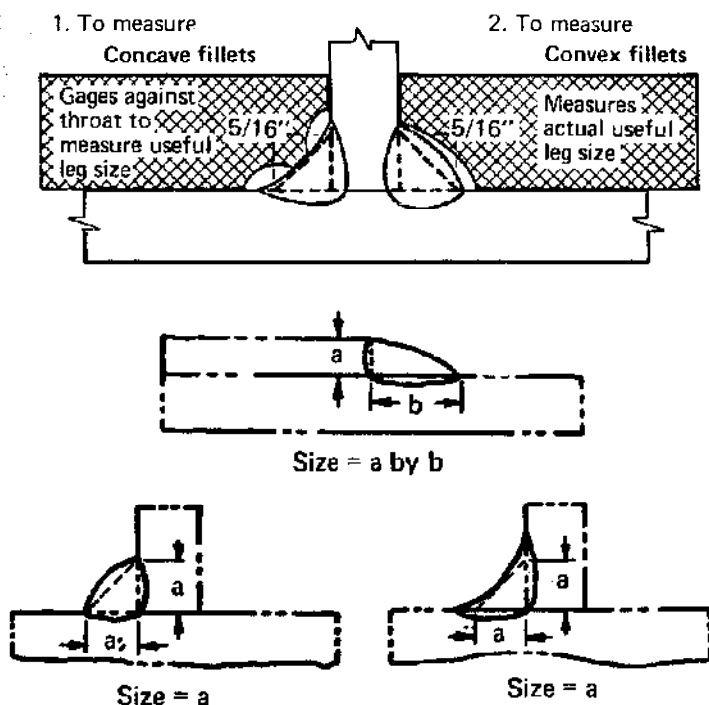


Fig. 29. Size of Fillet Welds

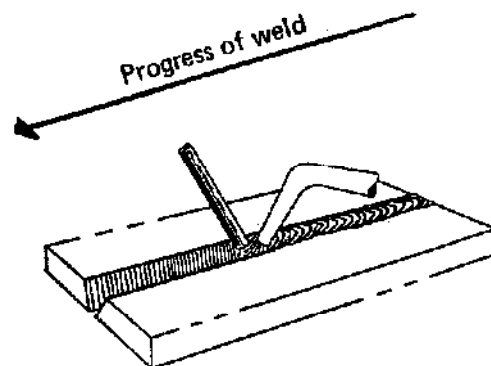


Fig. 30. Forehand Welding

Depth of fusion measured normal to the original base metal surface

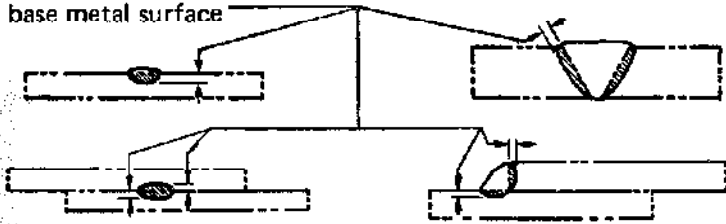


Fig. 31. Depth of Fusion

**Forehand Welding:** A welding technique wherein the welding torch or gun is directed toward the progress of welding. See Fig. 30.

**Freezing Point:** See preferred terms Liquidus and Solidus.

**Full Fillet Weld:** A fillet weld whose size is equal to the thickness of the thinner member joined.

**Fused Zone:** See preferred terms Fusion Zone, Nugget and Bond Line.

**Fusion:** The melting together of filler metal and base metal, or of base metal only, which results in coalescence. See Depth of Fusion.

**Fusion Welding:** A term defined as follows:

A group of processes in which metals are welded together by bringing them to the molten state at the surfaces to be joined, with or without the addition of filler metal, without the application of mechanical pressure or blows.

**Fusion Zone:** The area of base metal melted as determined on the cross-section of a weld. See Fig. 31.

**G**

**Gas Carbon-Arc Welding (GCAW):** A term of limited use, no longer of industrial significance, last defined in 1961 as follows:

An arc-welding process wherein coalescence is produced by heating with an electric arc between a single carbon electrode and the work. Shielding is obtained from a gas or gas mixture (which may contain an inert gas).

**Gas Metal Arc Cutting:** Method of metal-arc cutting wherein the severing of metals is effected by melting with an arc between a continuous metal (consumable) electrode and the work. Shielding is obtained entirely from an externally supplied gas or gas mixture.

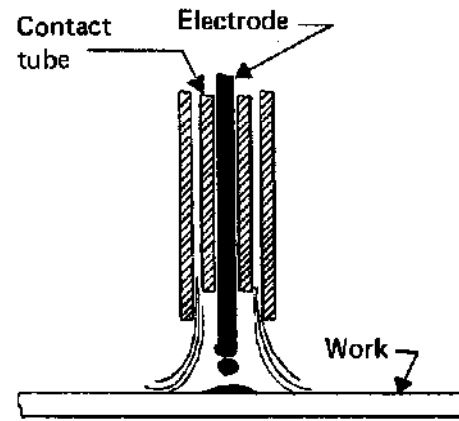


Fig. 32. Globular Transfer

**Gas Metal-Arc Welding (GMAW):** An arc welding process wherein coalescence is produced by heating with an arc between a continuous filler metal (consumable) electrode and the work. Shielding is obtained entirely from an externally supplied gas, or gas mixture. Some methods of this process are called MIG or CO<sub>2</sub> welding.

**Gas Pocket:** A cavity caused by entrapped gas.

**Gas Regulator:** See preferred term Regulator.

**Gas-Shielded Arc Welding:** A general term used to describe Gas Metal-Arc Welding and Gas Tungsten-Arc Welding.

**Gas-Shielded Stud Welding (GSSW):** A stud welding method wherein coalescence is produced by heating with an arc drawn between a metal stud or similar part, and the other work part, until the surfaces to

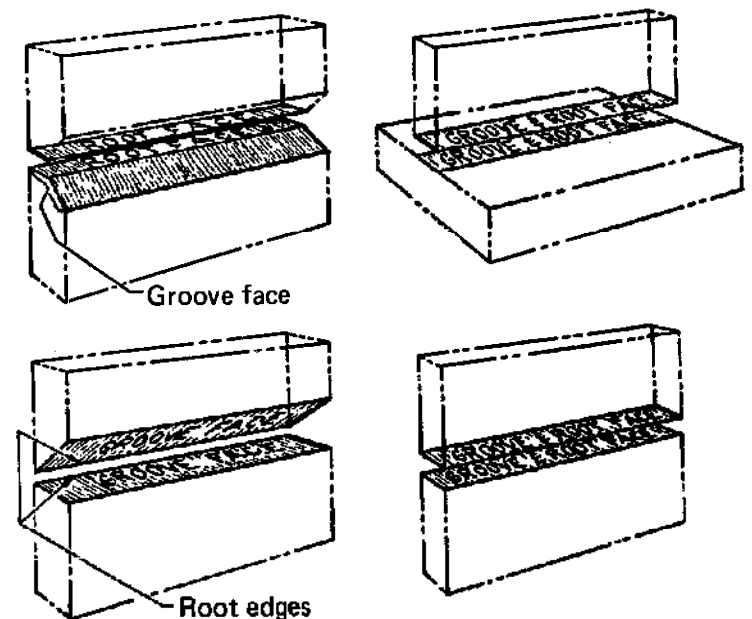


Fig. 33. Groove Face, Root Face and Root Edge

be joined are properly heated, when they are brought together under pressure. Shielding is obtained from an inert gas such as helium or argon.

**Gas Torch:** See preferred terms Welding Torch and Cutting Torch.

**Gas Tungsten-Arc Cutting (GTAC):** An arc-cutting process wherein the severing of metals is effected by melting with an arc between a single tungsten (nonconsumable) electrode and the work. Shielding is obtained from a gas or gas mixture.

**Gas Tungsten-Arc Welding (GTAW):** An arc-welding process wherein coalescence is produced by heating with an arc between a single tungsten (nonconsumable) electrode and the work. Shielding is obtained from a gas or gas mixture. Pressure may or may not be used and filler metal may or may not be used. (This process is frequently called TIG welding.)

**Globular Transfer:** A mode of metal transfer in gas metal-arc welding in which the consumable electrode is transferred across the arc in large droplets. See Fig. 32.

**Goggles:** See preferred term Welding Goggles.

**Gouging:** The forming of a bevel or groove by material removal. See also Back Gouging, Arc Gouging, Oxygen Gouging.

**Groove:** The opening provided for a groove weld.

**Groove Angle:** The total included angle of the groove between parts to be joined by a groove weld. See Fig. 7.

**Groove Face:** That surface of a member included in the groove. See Fig. 33.

**Groove Radius:** The radius of a J- or U-Groove. See Fig. 7.

**Groove Weld:** A weld made in the groove between two members to be joined. The standard types of groove welds (Fig. 22) are as follows:

- Square-Groove Weld
- Single-Vee-Groove Weld
- Single-Bevel-Groove Weld
- Single-U-Groove Weld
- Single-J-Groove Weld
- Single-Flare-Vee-Groove Weld
- Single-Flare-Bevel-Groove Weld
- Double-Vee-Groove Weld
- Double-Bevel-Groove Weld
- Double-U-Groove Weld
- Double-J-Groove Weld
- Double-Flare-Vee-Groove Weld
- Double-Flare-Bevel-Groove Weld

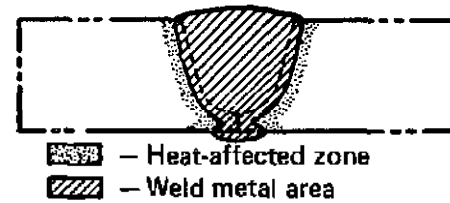


Fig. 34. Heat-Affected Zone and Weld Metal Area

**Ground Connection:** An electrical connection of the welding machine frame to the earth for safety. (See also Work Connection and Work Lead). See Figs. 25 and 26.

**Ground Lead:** A term erroneously used to denote Work Lead.

**Gun:**

a) *Arc Welding* — In semiautomatic, machine and automatic welding, a manipulating device to transfer current and guide the electrode into the arc. It may include provisions for shielding and arc initiation.

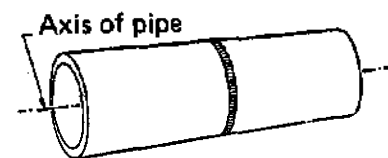
b) *Resistance Welding* — A manipulating device to transfer current and provide electrode force to the weld area.

## H

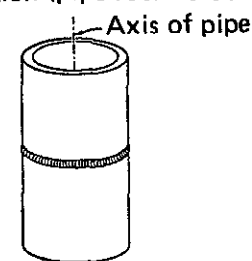
**Hand Shield:** A protective device, used in arc welding, for shielding the face and neck. A hand shield is equipped with a suitable filter lens and is designed to be held by hand.

**Hard Surfacing:** See Surfacing.

**Heat-Affected Zone:** That portion of the base metal which has not been melted, but whose mechanical properties or microstructure have been altered by



Horizontal fixed position (pipe stationary during welding)  
Horizontal rolled position (pipe rotated during welding)



Vertical position

Fig. 35. Positions of Pipe During Welding

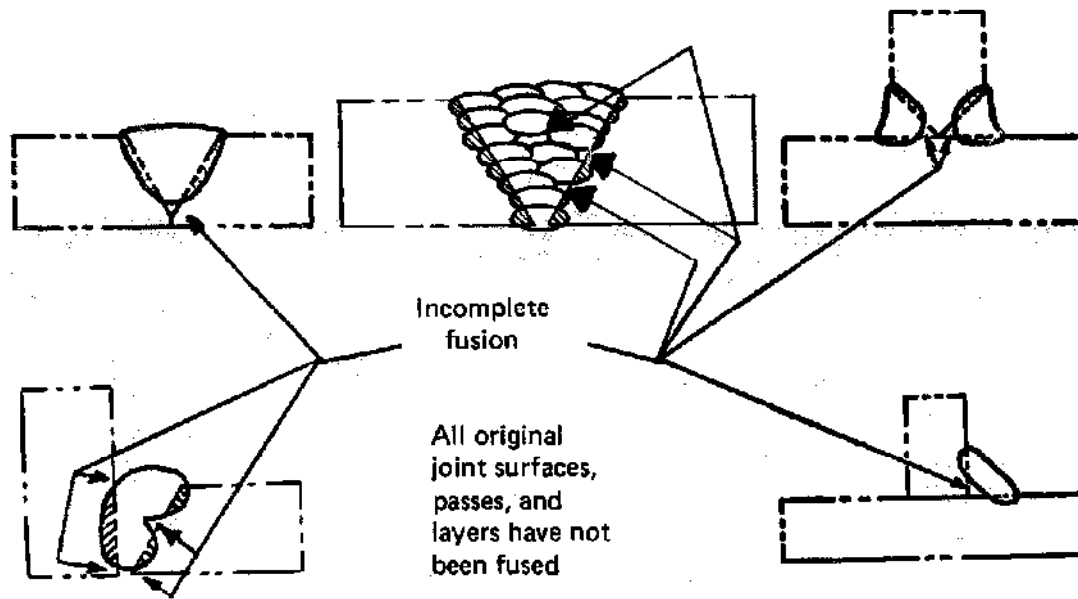


Fig. 36. Incomplete Fusion

the heat of welding, brazing, soldering or cutting. See Fig. 34.

**Helmet:** A protective device, used in arc welding, for shielding the face and neck. A helmet is equipped with a suitable filter lens and is designed to be worn on the head.

**Horizontal Fixed Position:**

*Pipe Welding* — The position of a pipe joint wherein the axis of the pipe is approximately horizontal and the pipe is not rotated during welding. See Fig. 35.

**Horizontal Position:**

*Fillet Weld* — The position of welding wherein welding is performed on the upper side of an approximately horizontal surface and against an approximately vertical surface. See Fig. 2.

*Groove Weld* — The position of welding wherein the axis of the weld lies in an approximately horizontal plane and the face of the weld lies in an approximately vertical plane. See Fig. 1.

**Horizontal Rolled Position:**

*Pipe Welding* — The position of a pipe joint wherein welding is performed in the flat position by rotating the pipe. See Fig. 35.

**Impregnated-Tape Metal-Arc Welding:** A term of limited use, no longer of industrial significance, last defined in 1949 as follows:

An arc-welding process wherein coalescence is produced by heating with an electric arc between a metal electrode and the work. Shielding is

obtained from decomposition of an impregnated tape wrapped around the electrode as it is fed to the arc. Pressure is not used and filler metal is obtained from the electrode.

**Inadequate Joint Penetration:** Joint penetration which is less than that specified.

**Included Angle:** See preferred term Groove Angle.

**Incomplete Fusion:** Fusion which is less than complete. See Fig. 36.

**Inert Gas:** A gas which does not normally combine chemically with the base metal or filler metal. (See also protective atmosphere.)

**Inert-Gas Metal-Arc Welding:** See preferred term Gas Metal-Arc Welding.

**Inert-Gas Tungsten-Arc Welding:** See preferred term Gas Tungsten-Arc Welding.

**Intermittent Weld:** A weld wherein the continuity of the weld is broken by recurring unwelded spaces. See Figs. 14 and 37.

**Interpass Temperature:** In a multiple-pass weld, the temperature (minimum or maximum as specified) of

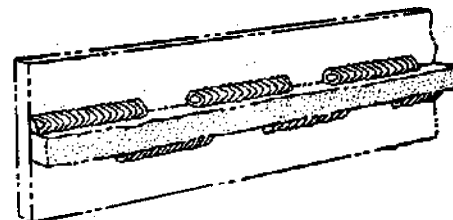


Fig. 37. Staggered Intermittent Fillet Welding



the deposited weld metal before the next pass is started.

**J**

**Joint:** The location where two or more members are to be joined.

**Joint Clearance:** The distance between the faying surfaces of a joint. (In brazing this distance is usually referred to as that which is present before brazing, at the brazing temperature, or after brazing is completed.)

**Joint Design:** The joint geometry together with the required dimensions of the welded joint.

**Joint Efficiency:** The ratio of the strength of a joint to the strength of the base metal (expressed in percent).

**Joint Geometry:** The shape and dimensions of a joint in cross-section prior to welding.

**Joint Penetration:** The minimum depth a groove or flange weld extends from its face into a joint, exclusive of reinforcement. See Fig. 38.

**Joint Welding Procedure:** The materials, detailed methods and practices employed in the welding of a particular joint.

**Joint Welding Sequence:** See preferred term Buildup Sequence.

**L**

**Lack of Fusion:** See preferred term Incomplete Fusion.

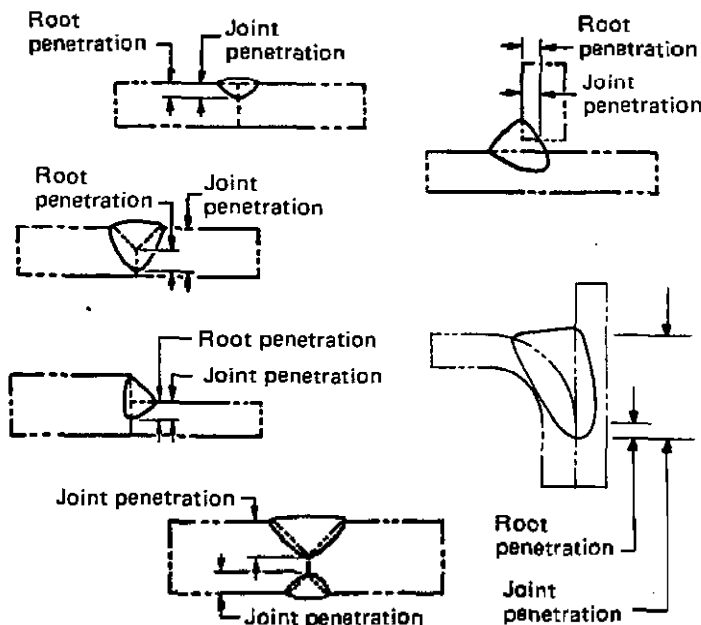


Fig. 38. Root Penetration and Joint Penetration of Groove Welds

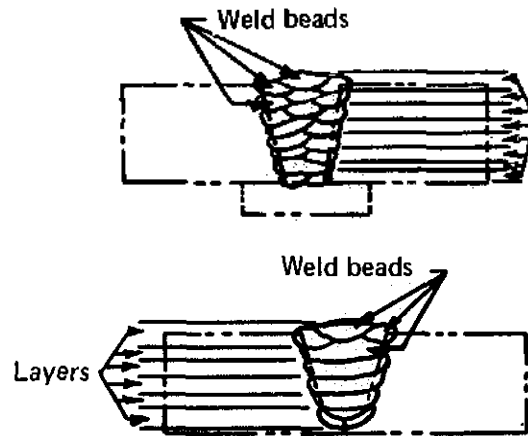


Fig. 39. Weld Beads and Layers

**Lack of Joint Penetration:** See preferred term Inadequate Joint Penetration.

**Lap Joint:** A joint between two overlapping members. See Fig. 12.

**Land:** See preferred term Root Face.

**Layer:** A stratum of weld metal, consisting of one or more weld beads. See Fig. 39.

**Lead Angle:** The angle that the electrode makes in advance of a line perpendicular to the weld axis at the point of welding, taken in a longitudinal plane. See Fig. 40.

**Leg of a Fillet Weld:** The distance from the root of the joint to the toe of the fillet weld. See Figs. 18 and 20.

**Lens:** See preferred term Filter Lens.

**Lightly Coated Electrode:** See Electrode.

**Liquidus:** The lowest temperature at which a metal or an alloy is completely liquid.

**Local Preheating:** Preheating a specific portion of a structure.

**Local Stress-Relief Heat Treatment:** Stress-relief heat treatment of a specific portion of a structure.

**Locked-Up Stress:** See preferred term Residual Stress.

**Longitudinal Sequence:** The order in which the increments of a continuous weld are deposited with respect to its length. See Backstep Sequence, Block Sequence, etc.

**M**

**Machine Welding:** Welding with equipment which performs the welding operation under the constant

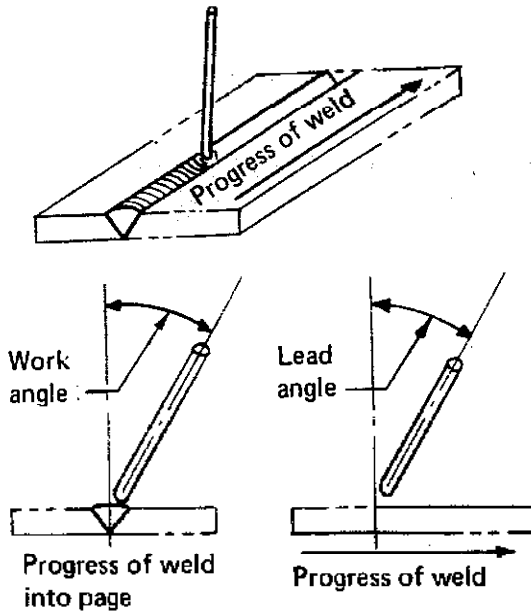


Fig. 40. Lead Angle and Work Angle

**Metal-Electrode Arc Welding:** An obsolete term, last defined in 1961 as follows:

A group of arc-welding processes wherein metal electrodes are used. See shielded Metal-Arc Welding, Atomic Hydrogen Welding, Gas Metal-Arc Welding, Submerged Arc-Welding, Gas-Shielded Stud Welding, Gas Tungsten-Arc Welding, Arc-Spot Welding, Arc-Seam Welding, Stud Welding and Bare Metal-Arc Welding.

**Method:** An orderly arrangement, or definite system, of proceeding in a certain manner to accomplish a particular type of result.

**MIG Welding:** See preferred term Gas Metal-Arc Welding.

**Mixing Chamber:** That part of a gas-welding or oxygen-cutting torch wherein the gases are mixed.

**N**

**Nonpressure Welding:** An obsolete term, last defined in 1942 as follows:

A group of welding processes wherein the weld is made without pressure.

**Nozzle:** A device which directs shielding media.

**O**

**Open-Circuit Voltage:** The voltage between the output terminals of the welding machine when no current is in the welding circuit.

observation and control of an operator. The equipment may or may not perform the loading and unloading of the work. See Automatic Welding.

**Manifold:** A multiple header for interconnection of gas or fluid sources with distribution points.

**Manual Welding:** Welding wherein the entire welding operation is performed and controlled by hand.

**Melting Range:** The temperature range between solidus and liquidus.

**Melting Rate:** The weight or length of electrode melted in a unit of time.

**Melting Ratio:** An obsolete term, last defined in 1940 as follows:

The ratio of the volume of weld metal below the original surface of the base metal to the total volume of the weld metal.

**Melt-Thru:** Complete joint penetration of weld metal in a joint welded from one side, with visible root reinforcement. See Fig. 41.

**Metal-Arc Cutting (MAC):** An arc-cutting process wherein the severing of metals is effected by melting with the heat of an arc between a metal electrode and the base metal. See Shielded Metal-Arc Cutting and Gas Metal-Arc Cutting.

**Metal-Arc Welding:** See Shielded Metal-Arc Welding, Flux Cored-Arc Welding, Gas Metal-Arc Welding, Gas-Tungsten-Arc Welding, Submerged Arc-Welding, Plasma-Arc Welding and Stud Welding.

**Metal Electrode:** See Electrode.

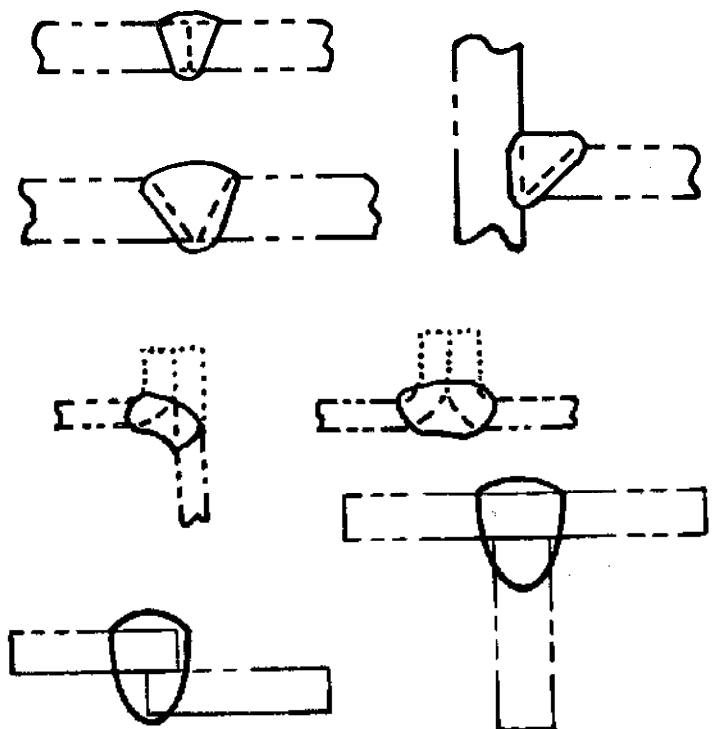


Fig. 41. Melt-Thru

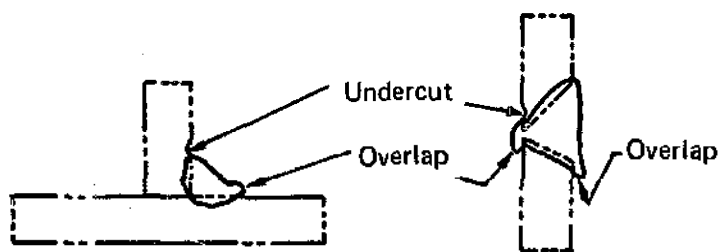


Fig. 42. Undercut and Overlap

**Overhead Position:** The position of welding wherein welding is performed from the underside of the joint. See Figs. 1 and 2.

**Overlap:** Protrusion of weld metal beyond the toe or root of the weld. See Fig. 42.

**Overlaying:** See preferred term Surfacing.

**Oxygen-Arc Cutting (AOC):** An oxygen-cutting process wherein the severing of metals is effected by means of the chemical reaction of oxygen with the base metal at elevated temperatures, the necessary temperature being maintained by means of an arc between a consumable tubular electrode and the base metal.

**Oxygen Cutter:** One who is capable of performing a manual oxygen-cutting operation.

**Oxygen Cutting (OC):** A group of cutting processes wherein the severing or removing of metals is effected by means of the chemical reaction of oxygen with the base metal at elevated temperatures. In the case of oxidation-resistant metals the reaction is facilitated by the use of a chemical flux or metal powder. See Oxygen-Arc Cutting, Oxy-Fuel Gas Cutting, Oxygen-Lance Cutting, Chemical Flux Cutting, and Metal Powder Cutting.

**Oxygen-Cutting Operator:** One who operates machine or automatic oxygen-cutting equipment.

**Oxygen Gouging:** An application of oxygen cutting wherein a bevel or groove is formed.

**Oxygen Grooving:** See preferred term, Oxygen Gouging.

## P

**Parent Metal:** See preferred term Base Metal.

**Partial Joint Penetration:** Joint penetration which is less than complete. See Fig. 43.

**Pass:** A single longitudinal progression of a welding

operation along a joint or weld deposit. The result of a pass is a weld bead.

**Pass Sequence:** The order of deposition of passes in a joint.

**Peel Test:** A destructive method of inspection where a lap joint is mechanically separated by peeling.

**Peening:** The mechanical working of metals by means of impact blows.

**Penetration:** See preferred terms Joint Penetration and Root Penetration.

**Plasma-Arc Cutting (PAC):** An arc cutting process wherein severing of the metal is obtained by melting a localized area with a constricted arc and removing the molten material with a high velocity jet of hot, ionized gas issuing from the orifice.

**Plasma-Arc Welding (PAW):** An arc welding process wherein coalescence is produced by heating with a constricted arc between an electrode and the work piece (transferred arc) or the electrode and the constricting nozzle (non-transferred arc). Shielding is obtained from the hot, ionized gas issuing from the orifice which may be supplemented by an auxiliary source of shielding gas. Shielding gas may be an inert gas or a mixture of gases. Pressure may or may not be used, and filler metal may or may not be supplied.

**Plug Weld:** A circular weld made through a hole in one member of a lap or tee joint joining that member to the other. The walls of the hole may or may not be parallel and the hole may be partially or completely filled with weld metal. (A fillet-welded hole or a spot weld should not be construed as conforming to this definition.) See Fig. 44.

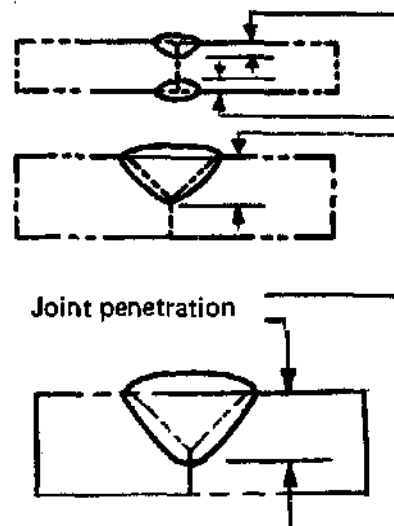


Fig. 43. Partial Joint Penetration

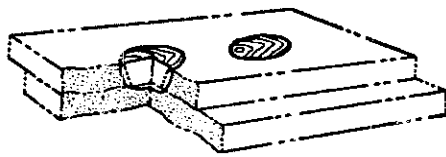


Fig. 44. Plug Welds

**Porosity:** Gas pockets or voids in metal.

**Positioned Weld:** A weld made in a joint which has been so placed as to facilitate making the weld.

**Position of Welding:** See Flat, Horizontal, Vertical and Overhead Positions and Horizontal Rolled, Horizontal Fixed and Vertical Pipe Welding Positions.

**Postheating:** The application of heat to an assembly after a welding, brazing, soldering or cutting operation.

**Preheat:** See preferred term Preheat Temperature.

**Preheating:** The application of heat to the base metal immediately before welding, brazing, soldering or cutting.

**Preheat Temperature:** The temperature specified that the base metal must attain in the welding, brazing, soldering or cutting area immediately before these operations are performed.

**Procedure:** The detailed elements (with prescribed values or ranges of values) of a process or method used to produce a specific result.

**Procedure Qualification:** The demonstration that welds made by a specific procedure can meet prescribed standards.

**Process:** A distinctive progressive action, or series of actions, involved in the course of producing a basic type of result.

**Progressive Block Sequence:** A block sequence wherein successive blocks are completed progressively along the joint, either from one end to the other or from the center of the joint toward either end.

**Protective Atmosphere:** A gas envelope surrounding the part to be brazed or welded where the gas composition is controlled with respect to chemical composition, dew point, pressure, flow rate, etc. Examples are inert gases, combusted fuel gases, hydrogen, vacuum.

**Pulsed Power Welding:** Any arc welding method in which the power is cyclically programmed to pulse to utilize effective, but short duration, values of a parameter. Such short duration values are significantly different from the average value of the

parameter. Equivalent terms are Pulsed Voltage or Pulsed Current Welding; see also Pulsed Spray Welding.

**Pulsed Spray Welding:** An arc welding method in which the current is pulsed to utilize the advantages of the spray mode of metal transfer at average currents equal to or less than the globular to spray transition current.

## Q

**Qualification:** See preferred terms Welder Qualification and Procedure Qualification.

## R

**Random Sequence:** See preferred term Wandering Sequence.

**Rate of Deposition:** See preferred term Deposition Rate.

**Reaction Flux:** A flux composition in which one or more of the ingredients reacts with a base metal upon heating to deposit one or more metals.

**Reaction Stress:** The residual stress which could not otherwise exist if the members or parts being welded were isolated as free bodies without connection to other parts of the structure.

**Reactor:** A device used in arc-welding circuits for the purpose of minimizing irregularities in the flow of welding current.

**Reducing Atmosphere:** A chemically active protective atmosphere which at elevated temperature will reduce metal oxides to their metallic state. (Reducing Atmosphere is a relative term and such an atmosphere may be reducing to one oxide but oxidizing to another oxide.)

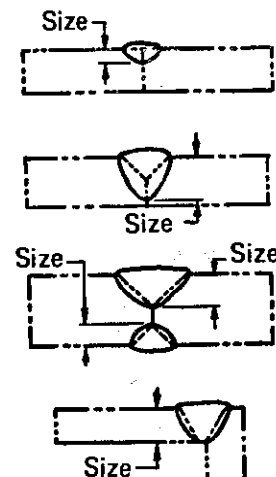


Fig. 45. Size of Groove Welds

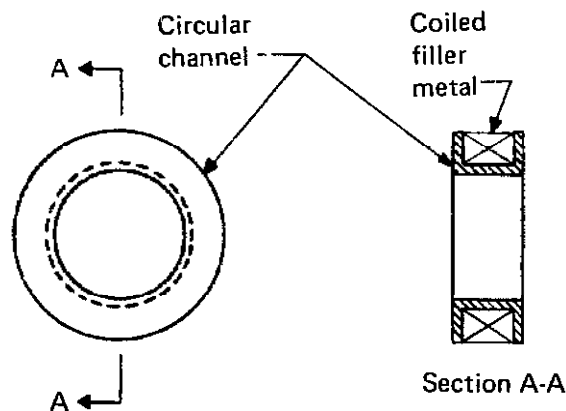


Fig. 46. Rim

**Regulators:** A device for controlling the delivery of gas at some substantially constant pressure regardless of variation in the higher pressure at the source.

**Reinforcement of Weld:** Weld metal in excess of the specified weld size. See Figs. 27 and 45.

**Residual Stress:** Stress remaining in a structure or member as a result of thermal or mechanical treatment or both.

**Reverse Polarity:** The arrangement of direct current arc-welding leads wherein the work is the negative pole and the electrode is the positive pole of the welding arc. See Fig. 25.

**Rim:** A filler metal package type consisting of a continuous length of electrode wound in a circular

channel. (This package type is a proposed standard of the International Organization for Standardization and is not currently used by U.S. industry. See Fig. 46.) This term was previously used to denote coil with support.

**Root:** See preferred terms Root of Joint and Root of Weld.

**Root Crack:** A crack in the weld or heat-affected zone occurring at the root of a weld.

**Root Edge:** A root face of zero width. See Root Face. See Fig. 33.

**Root Face:** That portion of the groove face adjacent to the root of the joint. See Fig. 33.

**Root Gap:** See preferred term Root Opening.

**Root of Joint:** That portion of a joint to be welded where the members approach closest to each other. In cross-section the root of the joint may be either a point, a line or an area. See Fig. 47.

**Root of Weld:** The points, as shown in cross-section, at which the back of the weld intersects the base metal surfaces. See Fig. 48.

**Root Opening:** The separation between the members to be joined, at the root of the joint. See Fig. 7.

**Root Penetration:** The depth a groove weld extends into the root of a joint measured on the centerline of the root cross-section. See Fig. 38.

**Root Radius:** See preferred term Groove Radius.

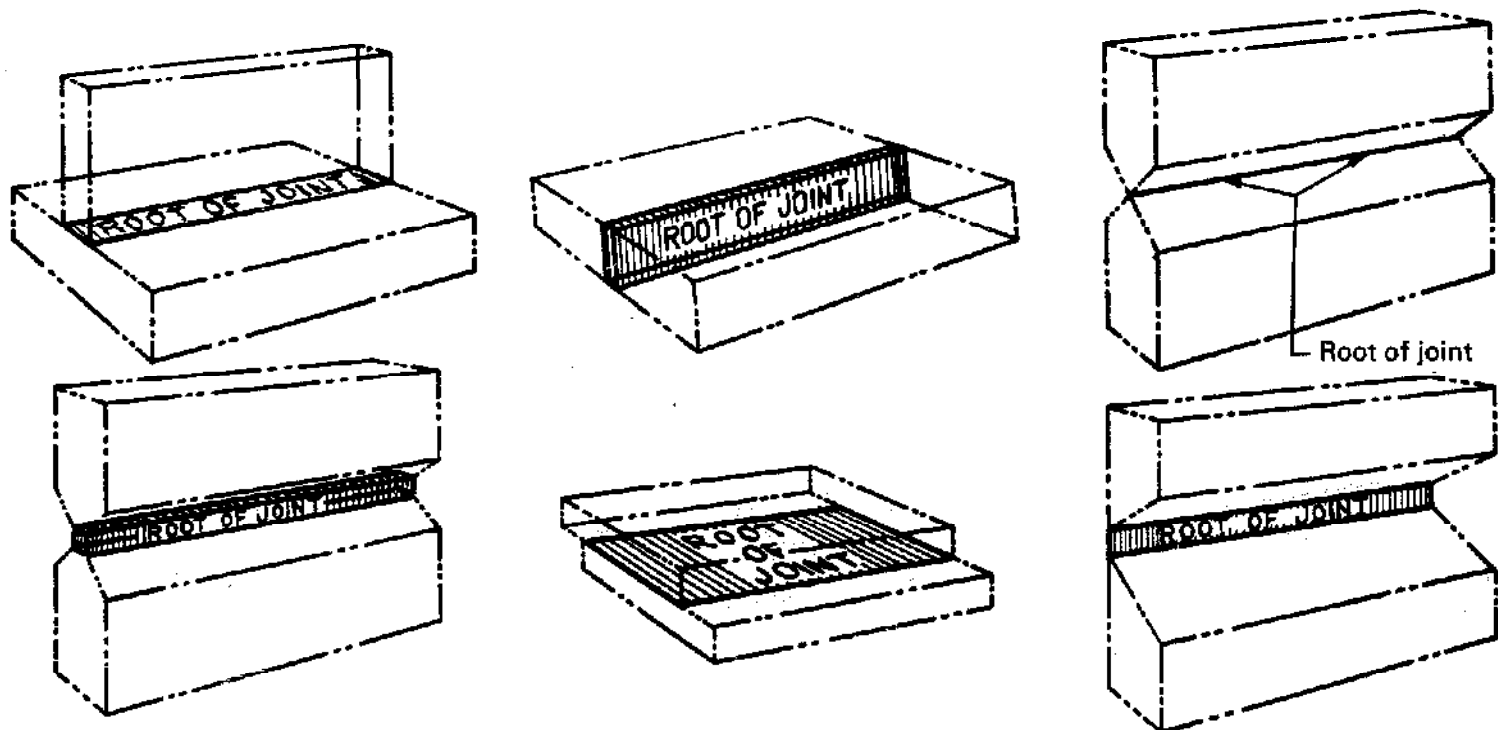


Fig. 47. Root of Joint

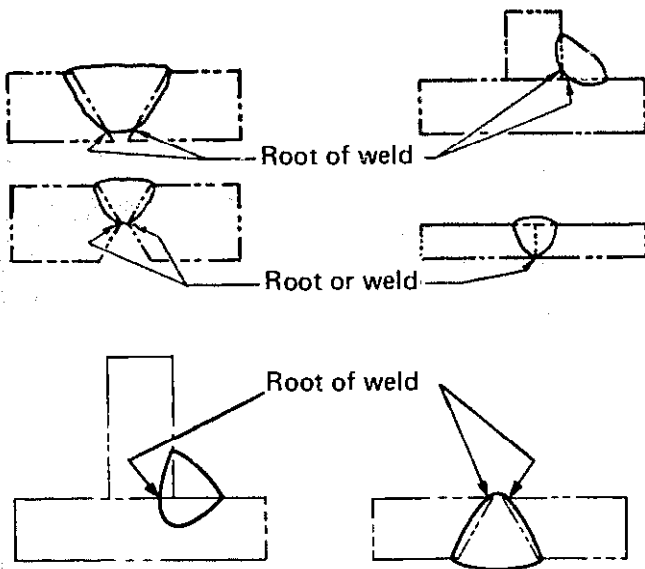


Fig. 48. Root of Weld

**Root Reinforcement:** Reinforcement of weld at the side other than that from which welding was done. See Fig. 27.

**Root Surface:** The exposed surface of a weld on the side other than that from which welding was done. See Fig. 28.

## S

**Scarf:** See preferred term Edge Preparation.

**Seal Weld:** Any weld designed primarily to provide a specific degree of tightness against leakage.

**Secondary Circuit:** That portion of a welding machine which conducts the secondary current between the secondary terminals of the welding transformer and the electrodes, or electrode, and work.

**Selective Block Sequence:** A block sequence wherein successive blocks are completed in a certain order selected to create a predetermined stress pattern.

**Semiautomatic Arc Welding:** Arc welding with equipment which controls only the filler metal feed. The advance of the welding is manually controlled.

**Semiblink Joint:** A joint in which one extremity of the joint is not visible.

**Shielded Carbon-Arc Welding (SCAW):** A term of limited use, no longer of industrial significance, last defined in 1961 as follows:

An arc-welding process wherein coalescence is produced by heating with an electric arc between a carbon electrode and the work. Shielding is obtained from the combustion of a solid material

fed into the arc or from a blanket of flux on the work or both. Pressure may or may not be used and filler metal may or may not be used.

**Shielded Metal-Arc Cutting:** A method of metal-arc cutting wherein the severing of metals is effected by melting with the heat of an arc between a covered metal electrode and the base metal.

**Shielded Metal-Arc Welding (SMAW):** An arc-welding process wherein coalescence is produced by heating with an arc between a covered metal electrode and the work. Shielding is obtained from decomposition of the electrode covering. Pressure is not used and filler metal is obtained from the electrode.

**Short Circuiting Arc Welding:** A method of gas metal-arc welding using short circuiting transfer.

**Short Circuiting Transfer:** A mode of metal transfer in Gas Metal-Arc Welding in which the consumable electrode is deposited during repeated short circuits. See Fig. 49.

**Shoulder:** See preferred term Root Face.

**Shrinkage Stress:** See preferred term Residual Stress.

**Single-Bevel-Groove Weld:** A type of groove weld. See Fig. 22.

**Single-Flare-Bevel-Groove Weld:** A type of groove weld. See Fig. 22.

**Single-Flare-Vee-Groove Weld:** A type of groove weld. See Fig. 22.

**Single-J-Groove Weld:** A type of groove weld. See Fig. 22.

**Single-U-Groove Weld:** A type of groove weld. See Fig. 22.

**Single-Vee-Groove Weld:** A type of groove weld. See Fig. 22.

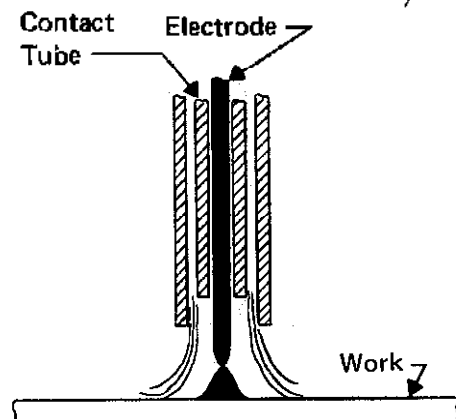


Fig. 49. Short Circuiting Transfer

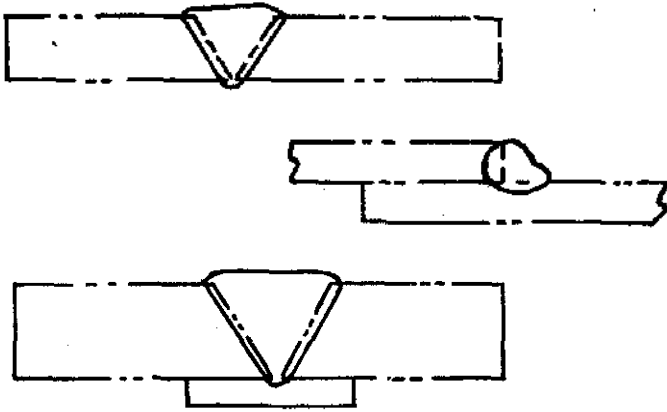


Fig. 50. Single-Welded Joint

**Single-Welded Joint:** In arc and gas welding, any joint welded from one side only. See Fig. 50.

**Size of Weld:**

**Groove Weld** — The joint penetration (depth of chamfering plus the root penetration when specified). See Fig. 45.

**Fillet Weld** —

For equal leg fillet welds, the leg length of the largest isosceles right-triangle which can be inscribed within the fillet-weld cross-section. See Fig. 29.

For unequal leg fillet welds, the leg length of the largest right-triangle which can be inscribed within the fillet-weld cross-section. See Fig. 29.

**Flange Weld** — The weld metal thickness measured at the root of the weld. See Fig. 51.

**Skip Sequence:** See preferred term Wandering Sequence.

**Slag Inclusion:** Non-metallic solid material entrapped in weld metal or between weld metal and base metal.

**Slot Weld:** A weld made in an elongated hole in one member of a lap or tee joint joining that member to that portion of the surface of the other member which is exposed through the hole. The hole may be open at one end and may be partially or completely filled with weld metal. (A fillet-welded slot should not be construed as conforming to this definition.) See Fig. 52.

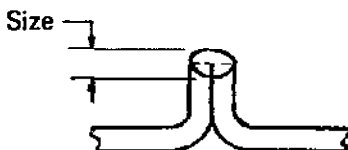


Fig. 51. Size of Flange Weld

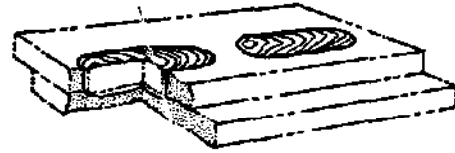


Fig. 52. Slot Welds

**Slugging:** The act, of adding a separate piece or pieces of material in a joint before or during welding resulting in a welded joint which does not comply with design, drawing or specification requirements.

**Solidus:** The highest temperature at which a metal or alloy is completely solid.

**Spacer Strip:** A metal strip or bar inserted in the root of a joint prepared for a groove weld to serve as a backing and to maintain root opening during welding. See Fig. 53.

**Spatter:** In arc and gas welding, the metal particles expelled during welding and which do not form a part of the weld.

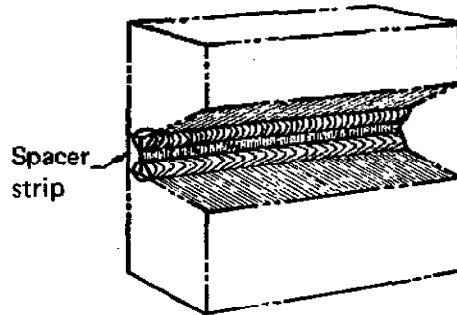


Fig. 53. Spacer Strip

**Spatter Loss:** Metal lost due to spatter.

**Spool:** A filler metal package type consisting of a continuous length of electrode wound on a cylinder (called the barrel) which is flanged at both ends. The flange extends below the inside diameter of the barrel and contains a spindle hole. See Fig. 54.

**Spot Welding:** The making of spot welds.

**Spray Transfer:** A mode of metal transfer in gas metal-arc welding in which the consumable electrode is propelled axially across the arc in small droplets. See Fig. 55.

**Square-Groove Weld:** A type of groove weld. See Fig. 22.

**Staggered Intermittent Fillet Welding:** Two lines of intermittent fillet welding on a joint wherein the

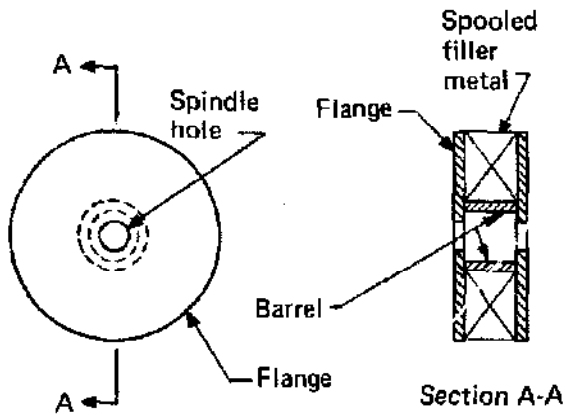


Fig. 54. Spool

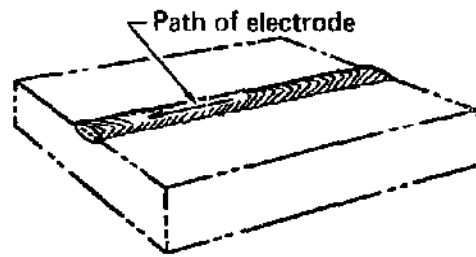


Fig. 56. Stringer Bead

fillet weld increments in one line are staggered with respect to those in the other line. See Fig. 37.

**Stepback Sequence:** See preferred term Backstep Sequence.

**Stick Electrode:** See preferred term Covered Electrode.

**Stitch Welding:** The use of intermittent welds to join two or more parts.

**Straight Polarity:** The arrangement of direct current arc-welding leads wherein the work is the positive pole and the electrode is the negative pole of the welding arc. See Fig. 26.

**Strength Weld:** An obsolete term, last defined in 1929 as follows:

A weld intended to develop a predetermined strength.

**Stress-Corrosion Cracking:** Spontaneous failure of metals by cracking under combined action of corrosion and stress, residual or applied. In brazing, applied to cracking of stressed base metal by the presence of a liquid filler metal.

**Stress-Relief Heat Treatment:** Uniform heating of a structure or portion thereof to a sufficient temperature, below the critical range, to relieve the major portion of the residual stresses, followed by uniform cooling. (*Note:* Terms Normalizing, Annealing, etc., are misnomers for this application.)

**Stress Cracking:** Cracking of a weld or base metal containing residual stresses.

**Stringer Bead:** A type of weld bead made without appreciable transverse oscillation. See Fig. 56.

**Stud Welding (SW):** An arc-welding process wherein coalescence is produced by heating with an arc drawn between a metal stud, or similar part, and the other work part until the surfaces to be joined are properly heated, when they are brought together under pressure. Partial shielding may be obtained by the use of a ceramic ferrule surrounding the stud. Shielding gas or flux may or may not be used.

**Submerged Arc-Welding (SAW):** An arc-welding process wherein coalescence is produced by heating with an arc or arcs between a bare metal electrode or electrodes and the work. The arc is shielded by a blanket of granular, fusible material on the work. Pressure is not used and filler metal is obtained from the electrode and sometimes from a supplementary welding rod.

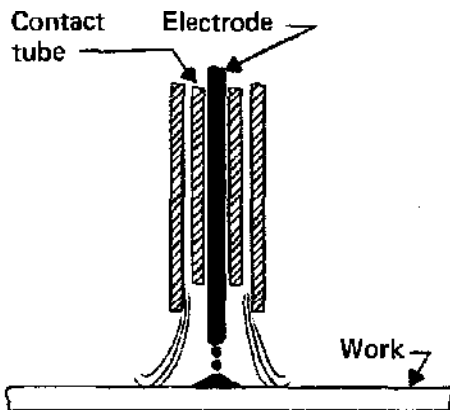


Fig. 55. Spray Transfer

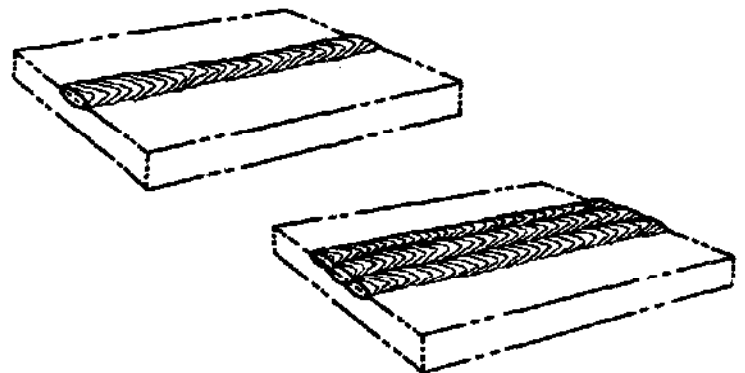


Fig. 57. Surfacing Welds





Fig. 58. Toe Cracks

**Suck-Back:** See preferred term Concave Root Surface.

**Surfacing:** The deposition of filler metal on a metal surface to obtain desired properties or dimensions.

**Surfacing Weld:** A type of weld composed of one or more stringer or weave beads deposited on an unbroken surface to obtain desired properties or dimensions. See Fig. 57.

## T

**Tack Weld:** A weld made to hold parts of a weldment in proper alignment until the final welds are made.

**Taps:** A means for controlling welding voltage and current by varying the welding transformer turns ratio.

**Tee Joint:** A joint between two members located approximately at right angles to each other in the form of a T. See Fig. 12.

**Temporary Weld:** A weld made to attach a piece or pieces to a weldment for temporary use in handling, shipping or working on the weldment.

**Theoretical Throat:** See Throat of a Fillet Weld.

**Thermal Stresses:** Stresses set up within a metal or joint caused by differential heating or cooling.

**Throat of a Fillet Weld:**

*Theoretical* — The distance from the beginning of the root of the joint perpendicular to the hypotenuse of the largest right-triangle that can be inscribed within the fillet-weld cross-section. See Figs. 18 and 20.

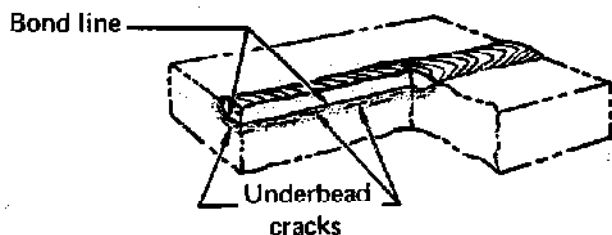


Fig. 59. Underbead Cracks

*Actual* — The shortest distance from the root of a fillet weld to its face. See Figs. 18 and 20.

**Throat of a Groove Weld:** See preferred term Size of Weld.

**TIG Welding:** See preferred term Gas Tungsten-Arc Welding.

**Toe Crack:** A crack in the base metal occurring at the toe of a weld. See Fig. 58.

**Toe of Weld:** The junction between the face of a weld and the base metal. See Fig. 28.

**Tungsten Electrode:** See Electrode.

**Twin-Carbon Arc Welding (TCAW):** A term of limited use, no longer of industrial significance, last defined in 1961 as follows:

An arc-welding process wherein coalescence is produced by heating with an electric arc maintained between two carbon electrodes and no shielding is used. Pressure is not used and filler metal may or may not be used.

## U

**Underbead Crack:** A crack in the heat-affected zone generally not extending to the surface of the base metal. See Fig. 59.

**Undercut:** A groove melted into the base metal adjacent to the toe or root of a weld and left unfilled by weld metal. See Fig. 42.

**Underfill:** A depression on the face of weld or root surface extending below the surface of the adjacent base metal. See Fig. 60.

**Unshielded Carbon Arc Welding:** A term of limited use, no longer of industrial significance, last defined in 1942 as follows:

A carbon-arc welding process wherein no shielding medium is used.

**Unshielded Metal Arc Welding:** A term of limited use, no longer of industrial significance, last defined in 1942 as follows:

A metal arc welding process wherein no shielding medium is used.

## V

**Vertical Position:** The position of welding wherein the axis of the weld is approximately vertical. See Fig. 1 and 2.

**Vertical Position:**

*Pipe Welding* — The position of a pipe joint wherein welding is performed in the horizontal position and the pipe may or may not be rotated. See Fig. 35.

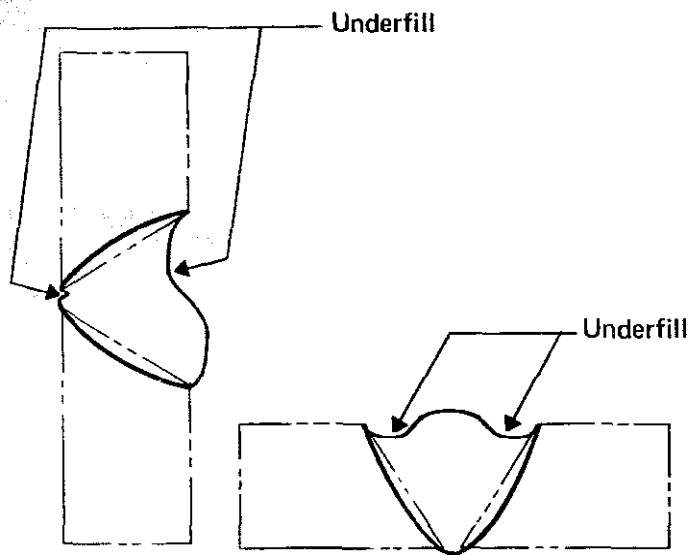


Fig. 60. Underfill

**Voltage Regulator:** An automatic electrical control device for maintaining a constant voltage supply to the primary of a welding transformer.

## W

**Wandering Block Sequence:** A block sequence wherein successive blocks are completed at random after several starting blocks have been completed.

**Wandering Sequence:** A longitudinal sequence wherein the weld bead increments are deposited at random.

**Weave Bead:** A type of weld bead made with transverse oscillation. See Fig. 61.

**Weld:** A localized coalescence of metal wherein coalescence is produced either by heating to suitable temperatures, with or without the application of pressure, or by the application of pressure alone, and with or without the use of filler metal. The filler metal either has a melting point approximately the same as the base metals or has a melting point below that of the base metals but above 800°F (427°C).

**Weld Bead:** A weld deposit resulting from a pass. See Stringer Bead and Weave Bead. See Fig. 39.

**Weld Crack:** A crack in weld metal.

**Weld Gage:** A device designed for checking the shape and size of welds. See Fig. 29.

**Weld Length:** See preferred term, Effective Length of Weld.

**Weld Line:** See preferred term Bond Line.

**Weld Metal:** That portion of a weld which has been melted during welding.

**Weld Metal Area:** The area of the weld metal as measured on the cross-section of a weld. See Fig. 34.

**Weld Penetration:** See preferred terms Joint Penetration and Root Penetration.

**Weld Size:** See preferred term Size of Weld.

**Weldability:** The capacity of a metal to be welded under the fabrication conditions imposed into a specific, suitably designed structure and to perform satisfactorily in the intended service.

**Welder:**\* One who is capable of performing a manual or semiautomatic welding operation. Used in this handbook to denote a welding machine.

**Welding (Noun):** The metal joining process used in making welds. (See the Master Chart of Welding Processes.)

**Welding Current:** The current in the welding circuit during the making of a weld.

**Welding Electrode:** See preferred term Electrode.

**Welding Generator:** A generator used for supplying current for welding.

**Welding Goggles:** Goggles with tinted lenses, used during welding, brazing or oxygen cutting, which protect the eyes from harmful radiation and flying particles.

**Welding Ground:** See preferred term Work Connection.

**Welding Leads:** The work lead and electrode lead of an arc-welding circuit. See Figs. 25 and 26.

**Welding Machine:** Equipment used to perform the welding operation. For example, spot-welding machine, arc-welding machine, seam-welding machine, etc.

**Welding Operator:** One who operates machine or automatic welding equipment.

\*This handbook deviates from AWS practice by using "welder" to indicate a machine and "weldor" to indicate one who is capable of performing a welding operation.

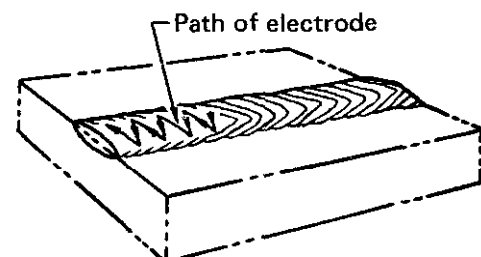


Fig. 61. Weave Bead

**Welding Procedure:** The detailed methods and practices including all joint welding procedures involved in the production of a weldment. See Joint Welding Procedure.

**Welding Process:** A metal-joining process wherein coalescence is produced by heating to suitable temperatures, with or without the application of pressure or by the application of pressure alone, and with or without the use of filler metal. (See the Master Chart of Welding Processes.)

**Welding Rod:** A form of filler metal used for welding or brazing wherein the filler metal does not conduct the electrical current.

**Welding Sequence:** The order of making the welds in a weldment.

**Welding Technique:** The details of a welding operation which, within the limitations of the prescribed joint welding procedure, are controlled by the weldor or welding operator.

**Welding Transformer:** A transformer used for supplying current for welding.

**Welding Wire:** See preferred terms. Electrode and Welding Rod.

**Weldment:** An assembly whose component parts are joined by welding.

**Weldor:** The term used in this handbook to mean a person capable of welding.

**Weldor Certification:** Certification in writing that a weldor has produced welds meeting prescribed standards.

**Weldor Qualification:** The demonstration of a weldor's ability to produce welds meeting prescribed standards.

**Weldor Registration:** The act of registering a weldor certification or a photostatic copy.

**Wetting:** The bonding or spreading of a liquid filler metal or flux on a solid base metal.

**Wetting:** The bonding or spreading of a liquid filler metal or flux on a solid base metal.

**Work Angle:** The angle that the electrode makes with a line perpendicular to the weld axis at the point of welding, taken in a transverse plane. See Fig. 40.

**Work Connection:** The connection of the work lead to the work. See Figs. 25 and 26.

**Work Lead:** The electric conductor between the source of arc-welding current and the work. See Figs. 25 and 26.

# Welding Symbols

## STANDARD WELDING SYMBOLS\*

The weld symbols presented here have been standardized and adopted by the American Welding Society. Like any systematic plan of symbols, they quickly describe to the designer, draftsman, production supervisor, and welder the weld that will develop the required joint or connection strength and meet the prevailing in-service performance requirements.

A welding symbol consists of basic elements. These elements can be joined in various combinations to denote any type of weld needed for any type of joint. The condensed summary presented here identifies these elements and will serve as a ready reference for those associated with a welding program.



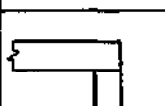
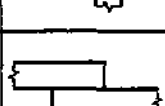
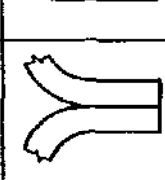
Since fillet welds and simple butt welds comprise 95 percent of most work, it is wise to initially limit the use of the symbols to just these types of welds. Later on, after the draftsmen and shop personnel learn to communicate with the symbols, additional, rarely used symbols can be introduced to

aid in detailing special welds.

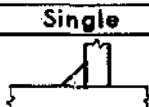
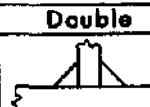

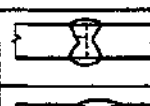
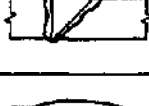


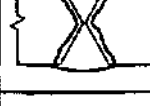
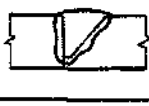



Adoption of this uniform system of symbols will assure that the correct welding instructions are being transmitted to all concerned with the work. This can help to cut drafting time and reduce shop costs arising from misinterpretation of instructions. In addition, since this system is in general use today, it simplifies the transmission of this type of information to outside suppliers.

In a joint, the adjoining members may contact each other in several ways, as illustrated by the butt, T, corner, lap, and edge joints. These general descriptions of the joint geometry, however, do not define the weld joint configuration, since it can be made in various ways. Thus, a welded butt joint can be made square, double-square, single-bevel, double-bevel, single-V, double-V, or by four other joint configurations. A T connection can be made with a double fillet, as shown: or it may be made with a single or double bevel or single or double J, V and U weld joints are feasible only for butt and corner welds because of the need for the preparation of both surfaces.

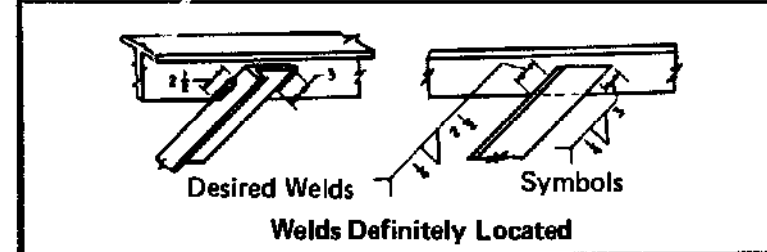
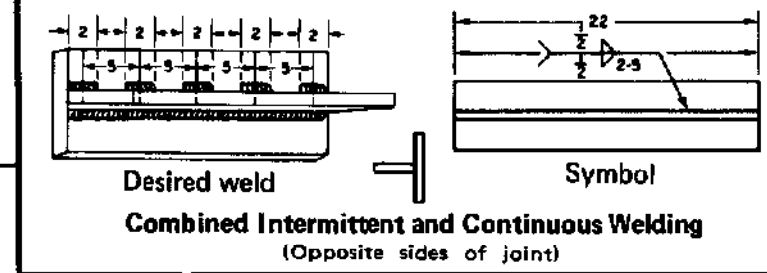
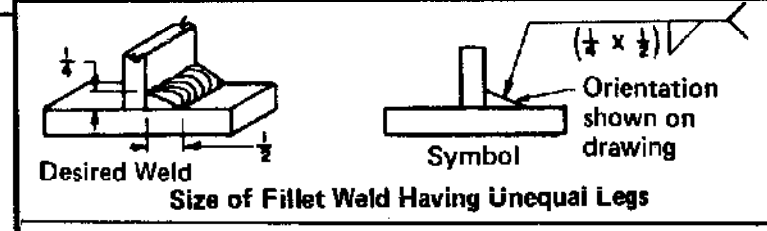
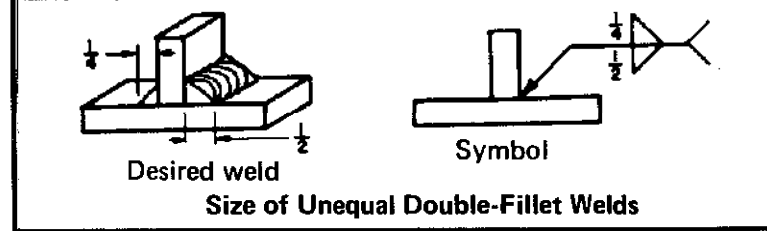
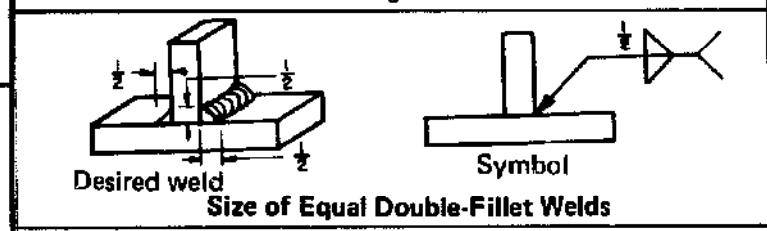
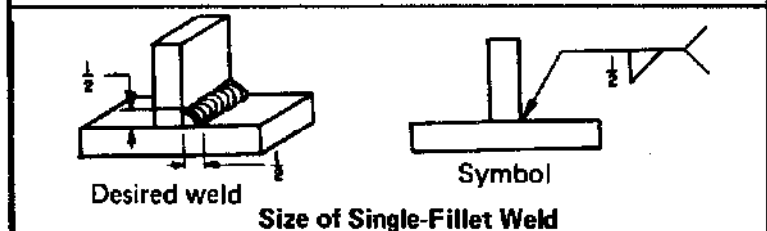
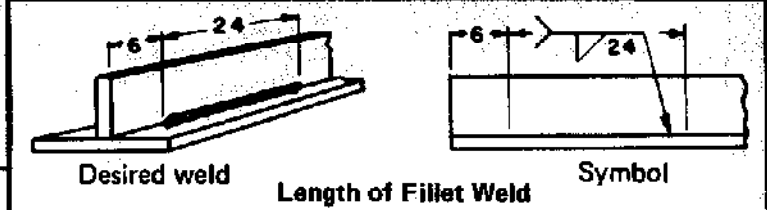
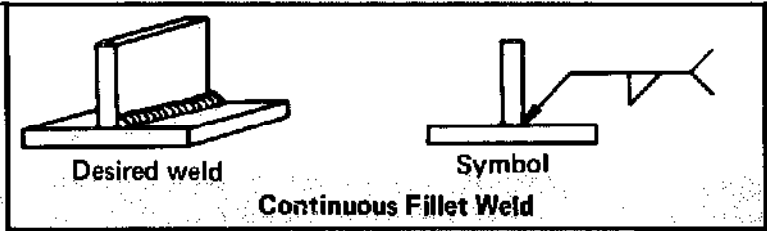
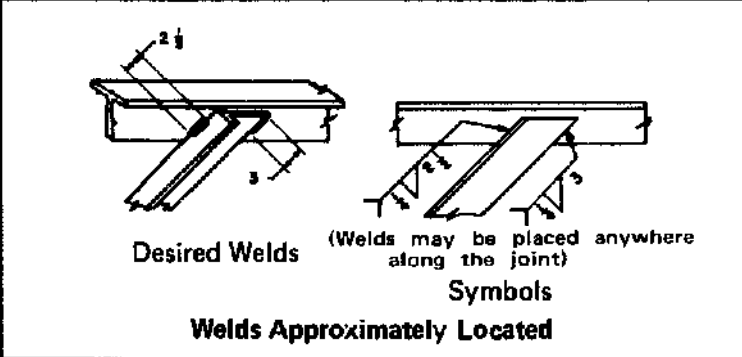
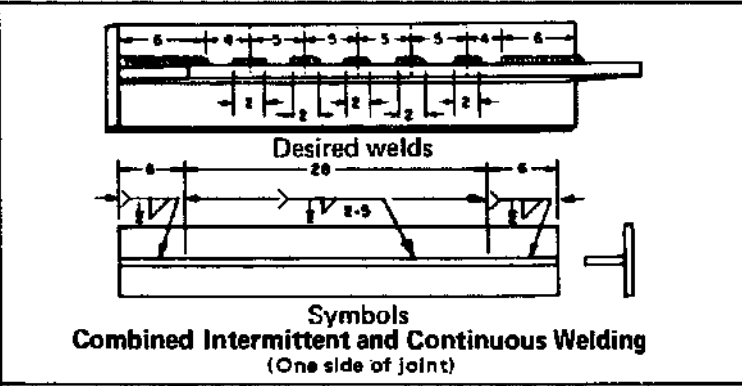
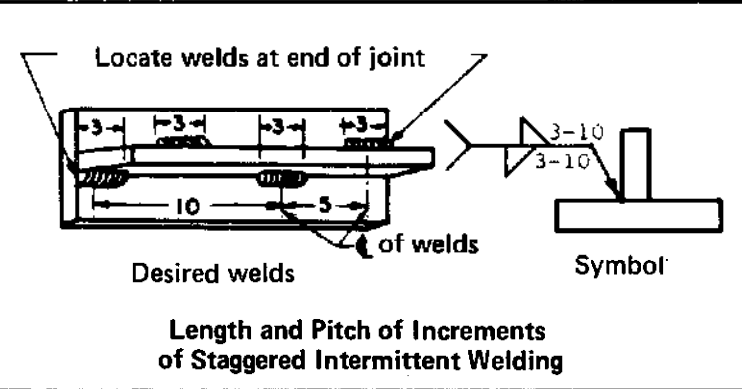
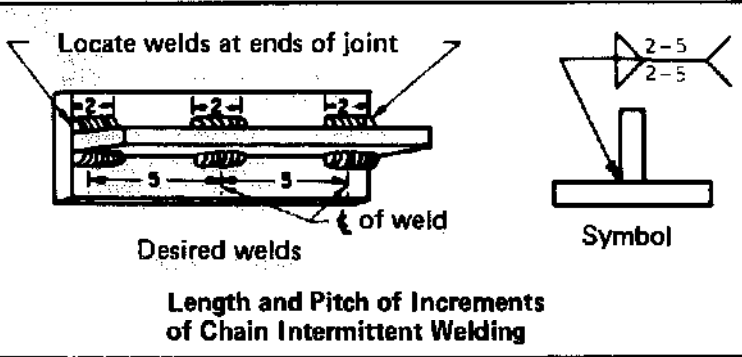
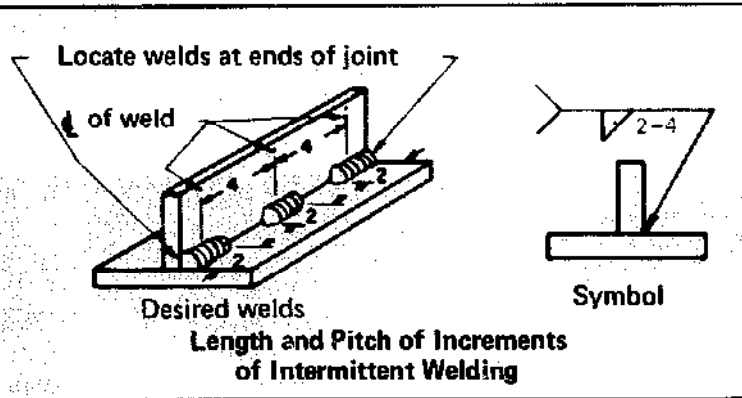
TYPES of JOINTS

Butt		(B)
Tee		(T)
Corner		(C)
Lap		(L)
Edge		(E)

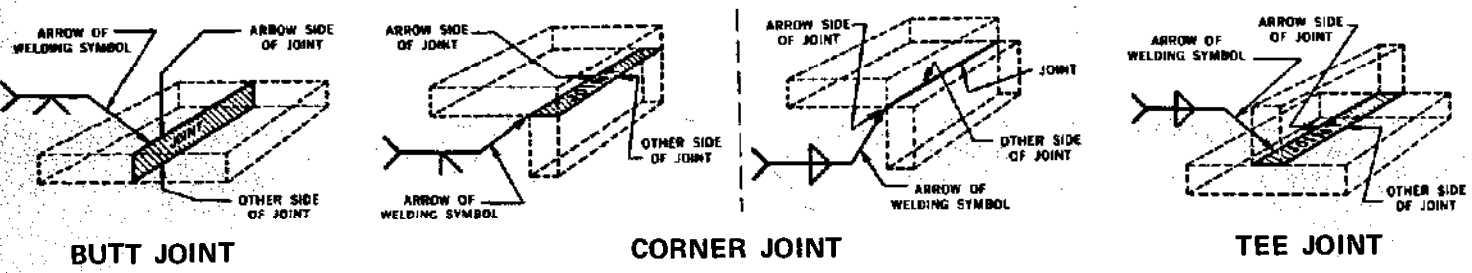
TYPES of WELDS

	Single	Double
Fillet		
Square		
Bevel Groove		
Vee Groove		
J Groove		
U Groove		

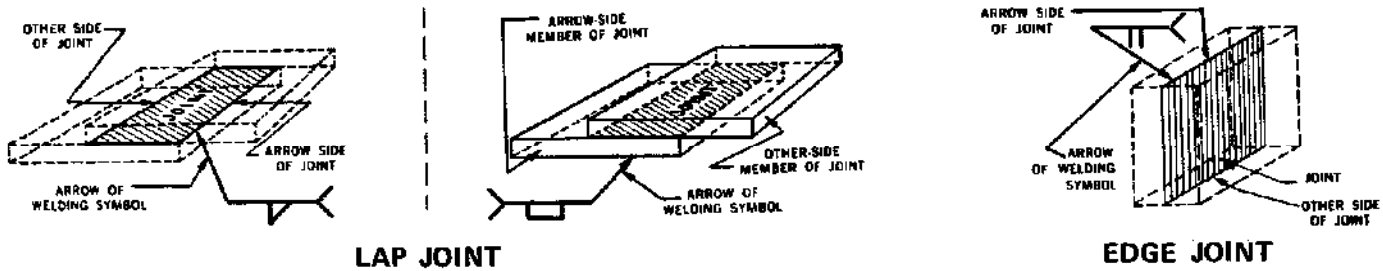
\*From the American Welding Society "Standard Welding Symbols A2.0-68." For a complete copy, order from American Welding Society, 2501 N.W. 7th Street, Miami, Florida 33125.



Basic Joints — Identification of Arrow Side and Other Side of Joint



Arrow-Side and Other-Side Member of Joint



Fillet	Plug or Slot	Spot or Projection	Seam	Flash or Upset	Groove						Back or Backing	Surfacing	Flange		
				Square	V	Bevel	U	J	Flare V	Flare-bevel			Edge	Corner	

ARC SEAM OR ARC SPOT	RESISTANCE SPOT	PROJECTION	RESISTANCE SEAM	FLASH OR UPSET

NONPREFERRED SYMBOLS: USE PREFERRED SYMBOL WITH PROCESS REFERENCE IN THE TAIL

Designation of Welding Processes by Letters

Designation of Cutting Processes by Letters

- CAW . . . . . Carbon-Arc Welding
- CW . . . . . Cold Welding
- DB . . . . . Dip Brazing
- DFW . . . . . Diffusion Welding
- EBW . . . . . Electron Beam Welding
- EW . . . . . Electroslag Welding
- EXW . . . . . Explosion Welding
- FB . . . . . Furnace Brazing
- FCAW . . . . . Flux-Cored Arc Welding
- FOW . . . . . Forge Welding
- FRW . . . . . Friction Welding
- FW . . . . . Flash Welding
- GMAW . . . . . Gas Metal-Arc Welding
- GTAW . . . . . Gas Tungsten-Arc Welding
- IB . . . . . Induction Brazing
- IRB . . . . . Infrared Brazing
- IW . . . . . Induction Welding

- LBW . . . . . Laser Beam Welding
- OAW . . . . . Oxyacetylene Welding
- OHW . . . . . Oxyhydrogen Welding
- PAW . . . . . Plasma-Arc Welding
- PEW . . . . . Percussion Welding
- PGW . . . . . Pressure Gas Welding
- RB . . . . . Resistance Brazing
- RPW . . . . . Projection Welding
- RSEW . . . . . Resistance-Seam Welding
- RSW . . . . . Resistance-Spot Welding
- SAW . . . . . Submerged-Arc Welding
- SMAW . . . . . Shielded Metal-Arc Welding
- SW . . . . . Stud Welding
- TB . . . . . Torch Brazing
- TW . . . . . Thermit Welding
- USW . . . . . Ultrasonic Welding
- UW . . . . . Upset Welding

- AAC . . . . . Air Carbon-Arc Cutting
- AC . . . . . Arc Cutting
- AOC . . . . . Oxygen-Arc Cutting
- CAC . . . . . Carbon-Arc Cutting
- FOC . . . . . Chemical Flux Cutting
- MAC . . . . . Metal-Arc Cutting
- OC . . . . . Oxygen Cutting
- PAC . . . . . Plasma-Arc Cutting
- POC . . . . . Metal Powder Cutting

# AMERICAN WELDING SOCIETY



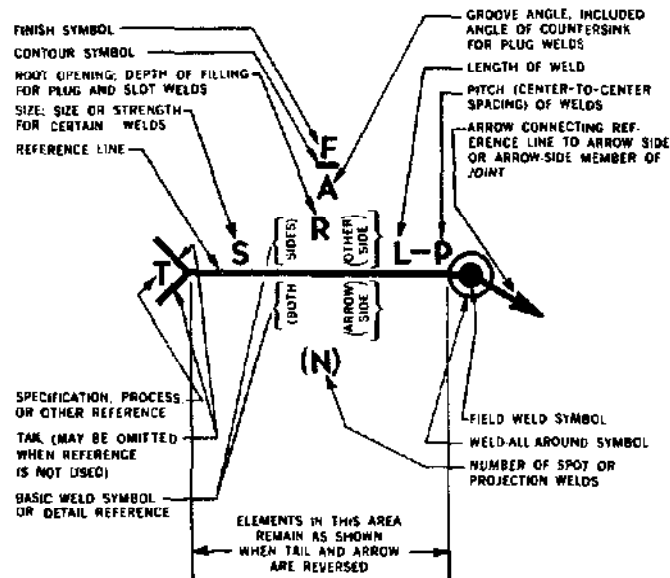
## Basic Weld Symbols and Their Location Significance

LOCATION SIGNIFICANCE	FILLET	PLUG OR SLOT	SPOT OR PROJECTION	SEAM	FLASH OR UPSET			GROOVE	
					SQUARE	V	BEVEL	U	J
ARROW SIDE									
OTHER SIDE									
BOTH SIDES		NOT USED	NOT USED	NOT USED					
NO ARROW SIDE OR OTHER SIDE SIGNIFICANCE	NOT USED	NOT USED			NOT USED EXCEPT FOR FLASH OR UPSET WELDS	NOT USED	NOT USED	NOT USED	NOT USED

## Supplementary Symbols

WELD ALL AROUND	FIELD WELD	MELT-THRU	CONTOUR		
			FLUSH	CONVEX	CONCAVE

## Location of Elements of a Welding Symbol



## Typical Welding Symbols

**BACK OR BACKING WELD SYMBOL**

ANY APPLICABLE SINGLE GROOVE WELD SYMBOL

**SURFACING WELD SYMBOL INDICATING BUILT-UP SURFACE**

SIZE (HEIGHT OF DEPOSIT); OMISSION INDICATES NO SPECIFIC HEIGHT DESIRED

ORIENTATION, LOCATION AND ALL DIMENSIONS OTHER THAN SIZE ARE SHOWN ON THE DRAWING

**DOUBLE FILLET WELDING SYMBOL**

SIZE (LENGTH OF LEG)

SPECIFICATION, PROCESS OR OTHER REFERENCE

LENGTH; OMISSION INDICATES THAT WELD EXTENDS BETWEEN ABRUPT CHANGES IN DIRECTION OR AS DIMENSIONED

**CHAIN INTERMITTENT FILLET WELDING SYMBOL**

SIZE (LENGTH OF LEG)

LENGTH OF INCREMENTS

PITCH (DISTANCE BETWEEN CENTERS) OF INCREMENTS

**STAGGERED INTERMITTENT FILLET WELDING SYMBOL**

SIZE (LENGTH OF LEG)

PITCH (DISTANCE BETWEEN CENTERS) OF INCREMENTS

LENGTH OF INCREMENTS

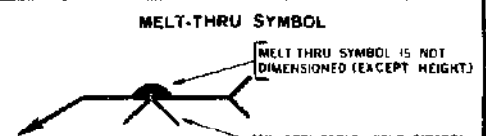
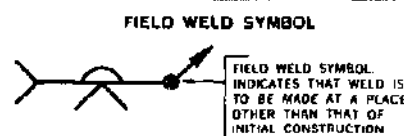
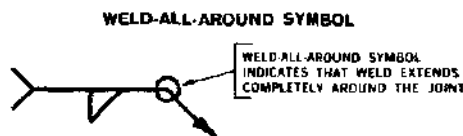
**SINGLE-V-GROOVE WELDING SYMBOL**

SIZE (DEPTH OF CHAMFERING); OMISSION INDICATES DEPTH OF CHAMFERING EQUAL TO THICKNESS OF MEMBERS



ROD OPENING




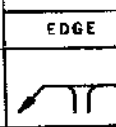
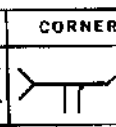

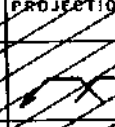
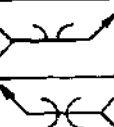
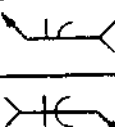
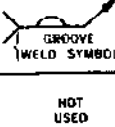
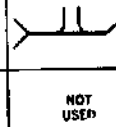
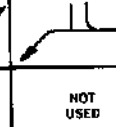

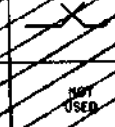


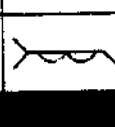



GROOVE ANGLE

## Supplementary Symbols Used with Welding Symbols

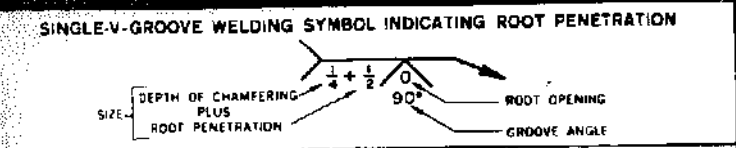


# STANDARD WELDING SYMBOLS

 NONPREFERRED SYMBOLS;  
 USE PREFERRED SYMBOL WITH PROCESS REFERENCE IN THE TAIL

FLARE-V	FLARE-BEVEL	BACK OR BACKING	SURFACING	FLANGE		ARC-SPAM OR ARC-SPOT	RESISTANCE SPOT	PROJECTION	RESISTANCE SEAM	FLASH OR UPSET
				EDGE	CORNER					
			NOT USED				NOT USED		NOT USED	NOT USED
			NOT USED				NOT USED		NOT USED	NOT USED
		NOT USED	NOT USED	NOT USED	NOT USED	NOT USED	NOT USED	NOT USED	NOT USED	NOT USED
NOT USED	NOT USED	NOT USED		NOT USED	NOT USED	NOT USED		NOT USED		

**SINGLE-V-GROOVE WELDING SYMBOL INDICATING ROOT PENETRATION**



DEPTH OF CHAMFERING PLUS ROOT PENETRATION

ROOT OPENING

GROOVE ANGLE

**PROJECTION WELDING SYMBOL**

PROJECTION WELDING REFERENCE MUST BE USED

SIZE (STRENGTH IN LB. PER WELD); DIA. OF WELD MAY BE USED INSTEAD FOR CIRCULAR PROJECTION WELDS

RPW 500 6

PITCH (DISTANCE BETWEEN CENTERS) OF WELDS

NUMBER OF WELDS (4)

**DOUBLE-BEVEL-GROOVE WELDING SYMBOL**

OMISSION OF SIZE DIMENSION INDICATES A TOTAL DEPTH OF CHAMFERING EQUAL TO THICKNESS OF MEMBERS

ARROW POINTS TOWARD MEMBER TO BE CHAMFERED

ROOT OPENING

GROOVE ANGLE (50 degrees)

**SEAM WELDING SYMBOL**

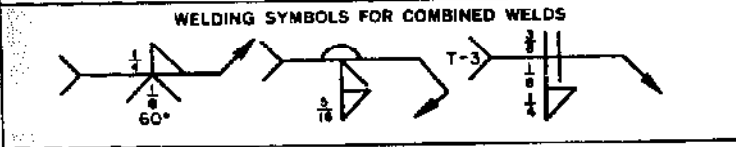
SIZE (WIDTH OF WELD); STRENGTH IN LB. PER LINEAR INCH MAY BE USED INSTEAD

RSEW 30° 3-9

LENGTH OF WELDS OR INCREMENTS. OMISSION INDICATES THAT WELD EXTENDS BETWEEN ABRUPT CHANGES IN DIRECTION OR AS DIMENSIONED

PITCH (DISTANCE BETWEEN CENTERS) OF INCREMENTS

**WELDING SYMBOLS FOR COMBINED WELDS**



**FLASH OR UPSET WELDING SYMBOL**

PROCESS REFERENCE MUST BE USED TO INDICATE PROCESS DESIRED

FW

**PLUG WELDING SYMBOL**

PITCH (DISTANCE BETWEEN CENTERS) OF WELDS

DEPTH OF FILLING IN INCHES. OMISSION INDICATES FILLING IS COMPLETE

SIZE (DIA. OF MOLE AT ROOT)

INCLUDED ANGLE OF COUNTERSINK (45 degrees)

**SQUARE-GROOVE WELDING SYMBOL**

OMISSION OF SIZE INDICATES COMPLETE JOINT PENETRATION

**SLOT WELDING SYMBOL**

DEPTH OF FILLING IN INCHES. OMISSION INDICATES FILLING IS COMPLETE

ORIENTATION, LOCATION AND ALL DIMENSIONS OTHER THAN DEPTH OF FILLING ARE SHOWN ON THE DRAWING

**FLARE-V AND FLARE-BEVEL-GROOVE WELDING SYMBOL**

SIZE IS CONSIDERED AS EXTENDING ONLY TO TANGENT POINTS

ROOT OPENING

**SPOT WELDING SYMBOL**

NUMBER OF WELDS (5)

SIZE (DIA. OF WELD); STRENGTH IN LB. PER WELD MAY BE USED INSTEAD

PITCH (DISTANCE BETWEEN CENTERS) OF WELDS

PROCESS REFERENCE MUST BE USED TO INDICATE PROCESS DESIRED

RSW 25" 4

**EDGE AND CORNER-FLANGE WELD SYMBOLS**

RADIUS

SIZE OF WELD

HEIGHT ABOVE POINT OF TANGENCY

**FLUSH-CONTOUR SYMBOL**

FLUSH-CONTOUR SYMBOL INDICATES FACE OF WELD TO BE MADE FLUSH. WHEN USED WITHOUT A FINISH SYMBOL, INDICATES WELD TO BE WELDED FLUSH WITHOUT SUBSEQUENT FINISHING

FINISH SYMBOL (USER'S STD.) INDICATES METHOD OF OBTAINING SPECIFIED CONTOUR BUT NOT DEGREE OF FINISH

M

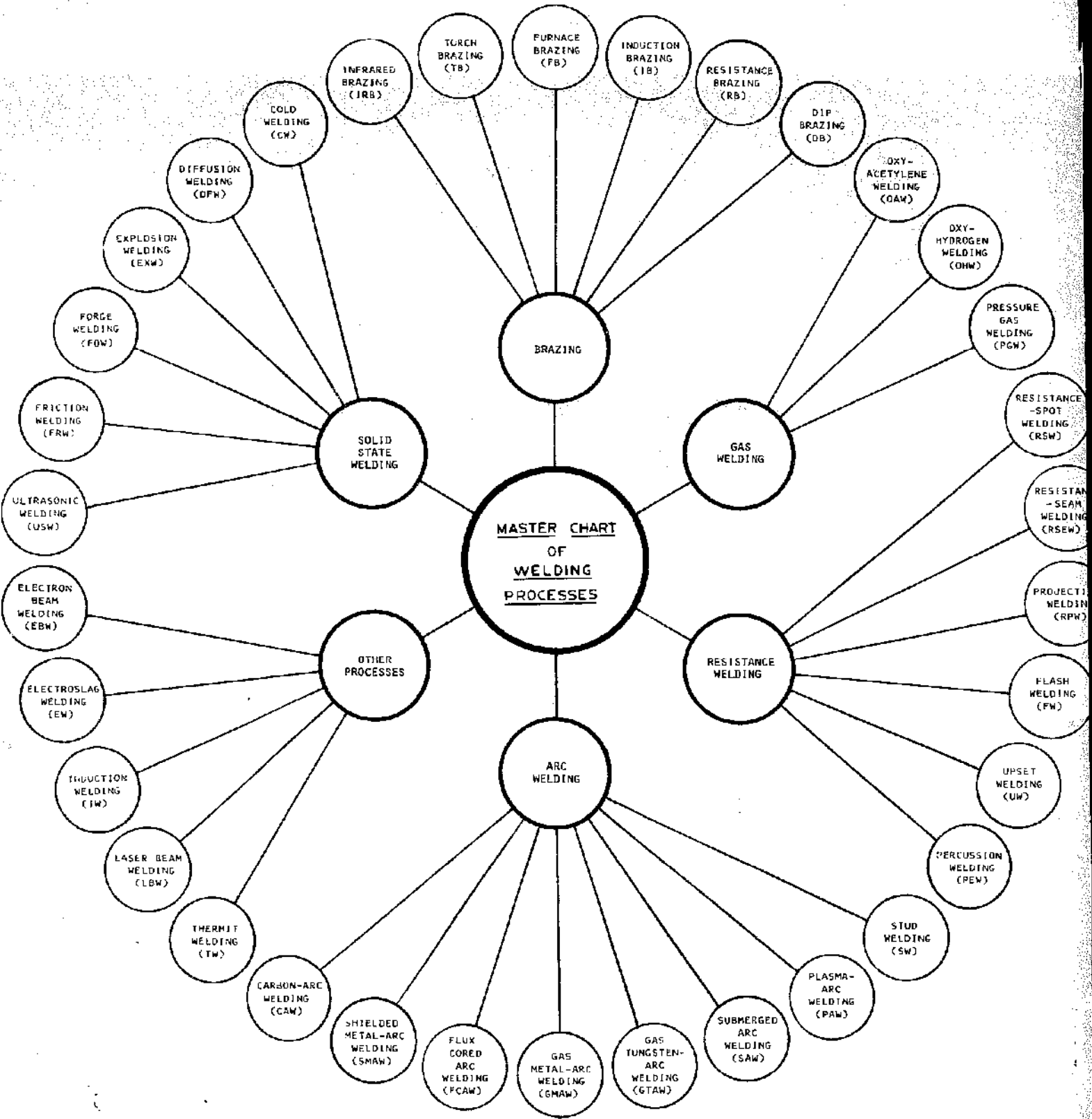
**CONVEX-CONTOUR SYMBOL**

CONVEX-CONTOUR SYMBOL INDICATES FACE OF WELD TO BE FINISHED TO CONVEX CONTOUR

FINISH SYMBOL (USER'S STD.) INDICATES METHOD OF OBTAINING SPECIFIED CONTOUR BUT NOT DEGREE OF FINISH

G





# Conversion Factors

## COMMON UNITS FOR CONVERTING FROM THE ENGLISH TO THE METRIC (SI) SYSTEM†

The International System of Units (SI for short) is a modernized version of the metric system. It is built upon six base units and two supplementary

units. Symbols for units with specific names are given in parentheses. The information in this Data Sheet, adapted from the revised "Metric Practice Guide," Standard E380-68, 1969 Book of ASTM Standards, Part 30, includes a selected list of factors for converting U.S. customary units to SI units.

### METRIC CONVERSION FACTORS

Category	To convert from	To	Multiply by
acceleration	ft/s <sup>2</sup>	m/s <sup>2</sup>	0.3048 *
	in./s <sup>2</sup>	m/s <sup>2</sup>	$2.5400 \times 10^{-2}$ *
area	ft <sup>2</sup>	m <sup>2</sup>	$9.2903 \times 10^{-7}$
	in. <sup>2</sup>	m <sup>2</sup>	$6.4516 \times 10^{-4}$ *
density	g/cm <sup>3</sup>	kg/m <sup>3</sup>	$1.0000 \times 10^3$ *
	lb (mass)/ft <sup>3</sup>	kg/m <sup>3</sup>	16.0185
	lb (mass)/in. <sup>3</sup>	kg/m <sup>3</sup>	$2.7680 \times 10^4$
energy	Btu (thermo-chemical)	J	$1.0543 \times 10^3$
	cal (thermo-chemical)	J	4.1840 *
	eV	J	$1.6021 \times 10^{-19}$
	erg	J	$1.0000 \times 10^{-7}$ *
	ft · lb (force)	J	1.3558
	kWh	J	$3.6000 \times 10^6$ *
	Wh	J	$3.6000 \times 10^3$ *
flow, liquid and solid	ft <sup>3</sup> /min	m <sup>3</sup> /s	$4.7195 \times 10^{-4}$
	ft <sup>3</sup> /s	m <sup>3</sup> /s	$2.8317 \times 10^{-2}$
	in. <sup>3</sup> /min	m <sup>3</sup> /s	$2.7312 \times 10^{-7}$
	lb (mass)/s	kg/s	0.4536
	lb (mass)/min	kg/s	$7.5599 \times 10^{-3}$
force	tons (short, mass)/h	kg/s	0.2520
	dyne	N	$1.0000 \times 10^{-5}$ *
	kg (force)	N	9.8066
heat	lb (force)	N	4.4482
	Btu (thermo-chemical)/ft <sup>2</sup>	J/m <sup>2</sup>	$1.1349 \times 10^4$
length	cal (thermo-chemical)/cm <sup>2</sup>	J/m <sup>2</sup>	$4.1840 \times 10^4$ *
	ft <sup>2</sup> /h	m <sup>2</sup> /s	$2.5806 \times 10^{-5}$
	Å	m	$1.0000 \times 10^{-10}$ *
	ft	m	0.3048 *
	in.	m	$2.5400 \times 10^{-2}$ *
	μ (micron)	m	$1.0000 \times 10^{-6}$ *
	mil	m	$2.5400 \times 10^{-5}$ *

Category	To convert from	To	Multiply by
mass	lb (mass, avoirdupois)	kg	0.4536
	oz (mass, avoirdupois)	kg	$2.8350 \times 10^{-2}$
	ton, long = 2,240 lb (mass)	kg	$1.0160 \times 10^3$
	ton, metric	kg	$1.0000 \times 10^3$ *
	ton, short = 2,000 lb (mass)	kg	$0.9072 \times 10^3$
power	Btu (thermo-chemical)/min	W	17.5725
	cal (thermo-chemical)/min	W	$6.9733 \times 10^{-2}$
	erg/s	W	$1.0000 \times 10^{-7}$ *
	ft · lb (force)/min	W	$2.2597 \times 10^{-2}$
	hp (550 ft · lb/s)	W	$7.4570 \times 10^2$
pressure (stress)	atm (760 torr)	N/m <sup>2</sup>	$1.0132 \times 10^5$
	dyne/cm <sup>2</sup>	N/m <sup>2</sup>	0.1000 *
	g (force)/cm <sup>2</sup>	N/m <sup>2</sup>	98.0665 *
	kg (force)/cm <sup>2</sup>	N/m <sup>2</sup>	$9.8066 \times 10^4$
	lb (force)/in. <sup>2</sup> (or psi)	N/m <sup>2</sup>	$6.8948 \times 10^3$
velocity	torr (mm Hg at 0 deg C)	kg (force)/mm <sup>2</sup>	$7.0307 \times 10^{-4}$
	ft/min	m/s	$5.0800 \times 10^{-3}$ *
	in./s	m/s	$2.5400 \times 10^{-2}$ *
volume	mph	m/s	0.4470
		km/h	1.6093
	ft <sup>3</sup>	m <sup>3</sup>	$2.8317 \times 10^{-2}$
temperature	in. <sup>3</sup>	m <sup>3</sup>	$1.6387 \times 10^{-5}$
	liter	m <sup>3</sup>	$1.0000 \times 10^{-3}$ *
	deg C	K	$t_K = t_C + 273.15$
deg F	K	$t_K = (t_F + 459.67)/1.8$	

† From Metals Progress Databook December 1969

\* Exact

TABLE OF CONVERSION FACTORS\*

MULTIPLY	BY	TO OBTAIN	MULTIPLY	BY	TO OBTAIN
Abamperes	10	amperes	bushels	32	quarts (dry)
Abamperes	$3 \times 10^{10}$	statamperes	Centares	1	square meters
abamperes per sq cm	64.52	amperes per sq inch	centigrams	0.01	grams
abampere-turns	10	ampere-turns	centiliters	0.01	liters
abampere-turns	12.57	gilberts	centimeters	0.3937	inches
abampere-turns per cm	25.40	ampere-turns per inch	centimeters	0.01	meters
abcoulombs	10	coulombs	centimeters	393.7	mils
abcoulombs	$3 \times 10^{10}$	statcoulombs	centimeters	10	millimeters
abcoulombs per sq cm	64.52	coulombs per sq inch	centimeter-dynes	$1.020 \times 10^{-2}$	centimeter-grams
abfarads	$10^9$	farads	centimeter-dynes	$1.020 \times 10^{-3}$	meter-kilograms
abfarads	$10^{15}$	microfarads	centimeter-dynes	$7.367 \times 10^{-9}$	pound-feet
abfarads	$9 \times 10^{20}$	statfarads	centimeter-grams	980.7	centimeter-dynes
abhenries	$10^{-9}$	henries	centimeter-grams	$10^{-5}$	meter-kilograms
abhenries	$10^{-4}$	millihenries	centimeter-grams	$7.233 \times 10^{-5}$	pound-feet
abhenries	$1/9 \times 10^{-29}$	stathenries	centimeters of mercury	0.01316	atmospheres
abmhos per cm cube	$1.662 \times 10^{12}$	mhos per mil foot	centimeters of mercury	0.4461	feet of water
abmhos per cm cube	$10^9$	megmhos per cm cube	centimeters of mercury	136.0	kgs per square meter
abohms	$10^{-15}$	megohms	centimeters of mercury	27.85	pounds per sq foot
abohms	$10^{-3}$	microhms	centimeters of mercury	0.1934	pounds per sq inch
abohms	$10^{-9}$	ohms	centimeters per second	1.969	feet per minute
abohms	$1/9 \times 10^{-20}$	statohms	centimeters per second	0.03281	feet per second
abohms per cm cube	$10^{-2}$	microhms per cm cube	centimeters per second	0.036	kilometers per hour
abohms per cm cube	$6.015 \times 10^{-3}$	ohms per mil foot	centimeters per second	0.6	meters per minute
abvolts	$1/3 \times 10^{-10}$	statvolts	centimeters per second	0.02237	miles per hour
abvolts	$10^{-5}$	volts	centimeters per second	$3.728 \times 10^{-4}$	miles per minute
acres	43,560	square feet	cms per sec per sec	0.03281	feet per sec per sec
acres	4047	square meters	cms per sec per sec	0.036	kms per hour per sec
acres	$1.562 \times 10^{-5}$	square miles	cms per sec per sec	0.02237	miles per hour per sec
acres	5645.38	square varas	circular mils	$5.067 \times 10^{-5}$	square centimeters
acres	4840	square yards	circular mils	$7.854 \times 10^{-7}$	square inches
acre-feet	43,560	cubic feet	circular mils	0.7854	square mils
acre-feet	$3.259 \times 10^6$	gallons	cord-feet	$4 \text{ ft} \times 4 \text{ ft} \times 1 \text{ ft}$	cubic feet
amperes	1/10	abamperes	cords	$3 \text{ ft} \times 4 \text{ ft} \times 4 \text{ ft}$	cubic feet
amperes	$3 \times 10^9$	statamperes	coulombs	1/10	abcoulombs
amperes per sq cm	6.452	amperes per sq inch	coulombs	$3 \times 9^9$	statcoulombs
amperes per sq inch	0.01550	abamperes per sq cm	coulombs per sq inch	0.01550	abcoulombs per sq cm
amperes per sq inch	0.1550	amperes per sq cm	coulombs per sq inch	0.1550	coulombs per sq cm
amperes per sq inch	$4.650 \times 10^3$	statamperes per sq cm	coulombs per sq inch	$4.650 \times 10^5$	statcoul per sq cm
ampere-turns	1/10	abampere-turns	cubic centimeters	$3.531 \times 10^{-5}$	cubic feet
ampere-turns	1.257	gilberts	cubic centimeters	$6.102 \times 10^{-2}$	cubic inches
ampere-turns per cm	2.540	ampere-turns per in	cubic centimeters	$10^{-5}$	cubic meters
ampere-turns per inch	0.03937	abampere-turns per cm	cubic centimeters	$1.308 \times 10^{-4}$	cubic yards
ampere-turns per inch	0.3937	ampere-turns per cm	cubic centimeters	$2.642 \times 10^{-4}$	gallons
ampere-turns per inch	0.4950	gilberts per cm	cubic centimeters	$10^{-3}$	liters
areas	0.02471	acres	cubic centimeters	$2.113 \times 10^{-3}$	pints (liq)
areas	100	square meters	cubic centimeters	$1.057 \times 10^{-5}$	quarts (liq)
atmospheres	76.0	cms of mercury	cubic feet	$2.832 \times 10^4$	cubic cms
atmospheres	29.92	inches of mercury	cubic feet	1728	cubic inches
atmospheres	33.90	feet of water	cubic feet	0.02832	cubic meters
atmospheres	10.333	kgs per sq meter	cubic feet	0.03704	cubic yards
atmospheres	14.70	pounds per sq inch	cubic feet	7.481	gallons
atmospheres	1.058	tons per sq foot	cubic feet	28.32	liters
Bars	$9.870 \times 10^{-1}$	atmospheres	cubic feet	59.84	pints (liq)
Bars	1	dynes per sq cm	cubic feet	29.92	quarts (liq)
Bars	0.01020	kgs per square meter	cubic feet per minute	472.0	cubic cms per sec
Bars	$2.089 \times 10^{-5}$	pounds per sq foot	cubic feet per minute	0.1247	gallons per sec
Bars	$1.450 \times 10^{-5}$	pounds per sq inch	cubic feet per minute	0.4720	liters per second
board-feet	0.2530	cubic inches	cubic feet per minute	62.4	lbs of water per min
British thermal units	$144 \text{ sq. in} \times 1 \text{ in.}$	kilogram-calories	cubic inches	16.39	cubic centimeters
British thermal units	777.5	foot-pounds	cubic inches	$5.787 \times 10^{-4}$	cubic feet
British thermal units	$3.927 \times 10^{-4}$	horsepower-hours	cubic inches	$1.639 \times 10^{-5}$	cubic meters
British thermal units	1054	joules	cubic inches	$2.143 \times 10^{-3}$	cubic yards
British thermal units	107.5	kilogram-meters	cubic inches	$4.329 \times 10^{-3}$	gallons
British thermal units	$2.928 \times 10^{-4}$	kilowatt-hours	cubic inches	$1.639 \times 10^{-2}$	liters
Btu per min	12.96	foot-pounds per sec	cubic inches	0.04463	pints (liq)
Btu per min	0.2356	horsepower	cubic inches	0.01732	quarts (liq)
Btu per min	0.01757	kilowatts	cubic meters	$10^6$	cubic centimeters
Btu per min	17.57	watts	cubic meters	35.31	cubic feet
Btu per sq ft per min	0.1220	watts per square inch	cubic meters	61.023	cubic inches
bushels	1.244	cubic feet	cubic meters	1.308	cubic yards
bushels	2150	cubic inches	cubic meters	264.2	gallons
bushels	0.03524	cubic meters	cubic meters	$10^9$	liters
bushels	4	pecks	cubic meters	2113	pints (liq)
bushels	64	pints (dry)	cubic meters	1057	quarts (liq)

MULTIPLY	BY	TO OBTAIN	MULTIPLY	BY	TO OBTAIN
cubic yards	7.646x10 <sup>5</sup>	cubic centimeters	feet per second	0.01136	miles per minute
cubic yards	27	cubic feet	feet per 100 feet	1	per cent grade
cubic yards	46.656	cubic inches	feet per sec per sec	30.48	cms per sec per sec
cubic yards	0.7646	cubic meters	feet per sec per sec	1.097	kms per hr per sec
cubic yards	202.0	gallons	feet per sec per sec	0.3048	meters per sec per sec
cubic yards	764.6	liters	feet per sec per sec	0.6618	miles per hr per sec
cubic yards	1616	pints (liq)	foot-pounds	1.286x10 <sup>-3</sup>	British thermal units
cubic yards	807.9	quarts (liq)	foot-pounds	1.356x10 <sup>-1</sup>	ergs
cubic yards per minute	0.45	cubic feet per second	foot-pounds	5.050x10 <sup>-2</sup>	horsepower-hours
cubic yards per minute	3.367	gallons per second	foot-pounds	1.356	joules
cubic yards per minute	12.74	liters per second	foot-pounds	3.241x10 <sup>-4</sup>	kilogram-calories
Days	24	hours	foot-pounds	0.1383	kilogram-meters
Days	1440	minutes	foot-pounds	3.766x10 <sup>-1</sup>	kilowatt-hours
Days	86,400	seconds	foot-pounds per minute	1.286x10 <sup>-2</sup>	Btu per minute
decigrams	0.1	grams	foot-pounds per minute	0.01667	foot-pounds per sec
deciliters	0.1	liters	foot-pounds per minute	3.03x10 <sup>-5</sup>	horsepower
decimeters	0.1	meters	foot-pounds per minute	3.241x10 <sup>-4</sup>	kg.-calories per minute
degrees (angle)	60	minutes	foot-pounds per minute	1.260x10 <sup>-3</sup>	kilowatts
degrees (angle)	0.01745	radians	foot-pounds per second	7.717x10 <sup>-2</sup>	Btu per minute
degrees (angle)	3600	seconds	foot-pounds per second	1.818x10 <sup>-2</sup>	horsepower
degrees per second	0.01745	radians per second	foot-pounds per second	1.945x10 <sup>-2</sup>	kg.-calories per min
degrees per second	0.1667	revolutions per min	foot-pounds per second	1.365x10 <sup>-3</sup>	kilowatts
degrees per second	0.002778	revolutions per sec			
dekagrams	10	grams	furlongs	40	rods
dekaliters	10	liters	Gallons	3785	cubic centimeters
dekameters	10	meters	Gallons	0.1337	cubic feet
			Gallons	231	cubic inches
drams	1.772	grams	Gallons	3.785x10 <sup>-3</sup>	cubic meters
drams	0.0625	ounces	Gallons	4.951x10 <sup>-3</sup>	cubic yards
dynes	1.020x10 <sup>-2</sup>	grams	Gallons	3.785	liters
dynes	7.233x10 <sup>-5</sup>	poundals	Gallons	8	pints (liq)
dynes	2.248x10 <sup>-6</sup>	pounds	Gallons	4	quarts (liq)
dynes per square cm.	1	bars	gallons per minute	2.226x10 <sup>-3</sup>	cubic feet per second
Ergs	9.486x10 <sup>-11</sup>	British thermal units	gallons per minute	0.06308	liters per second
Ergs	1	dyne-centimeters	gasses	6.452	lines per square inch
Ergs	7.376x10 <sup>-9</sup>	foot-pounds	gilberts	0.07958	abampere-turns
Ergs	1.020x10 <sup>-3</sup>	gram-centimeters	gilberts	0.7959	ampere-turns
Ergs	10 <sup>-7</sup>	joules	gilberts per centimeter	2.021	ampere-turns per inch
Ergs	2.390x10 <sup>-11</sup>	kilogram-calories	gills	0.1183	liters
Ergs	1.020x10 <sup>-8</sup>	kilogram-meters	gills	0.25	pints (liq)
ergs per second	5.692x10 <sup>-9</sup>	Btu per minute	grains (troy)	1	grains (av)
ergs per second	4.426x10 <sup>-5</sup>	foot-pounds per min	grains (troy)	0.06480	grams
ergs per second	7.376x10 <sup>-8</sup>	foot-pounds per sec	grains (troy)	0.04167	pennyweights (troy)
ergs per second	1.341x10 <sup>-10</sup>	horsepower	grams	980.7	dynes
ergs per second	1.434x10 <sup>-9</sup>	kg.-calories per min	grams	15.43	grains (troy)
ergs per second	10 <sup>-10</sup>	kilowatts	grams	10 <sup>-3</sup>	kilograms
Farads	10 <sup>-9</sup>	abfarads	grams	10 <sup>3</sup>	milligrams
Farads	10 <sup>9</sup>	microfarads	grams	0.03527	ounces
Farads	9x10 <sup>-11</sup>	statfarads	grams	0.03215	ounces (troy)
fathoms	6	feet	grams	0.07093	poundals
feet	30.48	centimeters	grams	2.205x10 <sup>-3</sup>	pounds
feet	12	inches	gram-calories	3.968x10 <sup>-3</sup>	British thermal units
feet	0.3048	meters	gram-centimeters	9.302x10 <sup>-4</sup>	British thermal units
feet	.36	varas	gram-centimeters	980.7	ergs
feet	1/3	yards	gram-centimeters	7.233x10 <sup>-5</sup>	foot-pounds
feet of water	0.02950	atmospheres	gram-centimeters	2.344x10 <sup>-8</sup>	joules
feet of water	0.8826	inches of mercury	gram-centimeters	10 <sup>-5</sup>	kilogram-calories
feet of water	304.8	kgs per square meter	gram-centimeters	9.807x10 <sup>-5</sup>	kilogram-meters
feet of water	62.43	pounds per sq ft	grams per cc	5.600x10 <sup>-3</sup>	pounds per inch
feet of water	0.4335	pounds per sq inch	grams per cc	62.43	pounds per cubic foot
feet of water	0.5080	centimeters per sec	grams per cc	0.03613	pounds per cubic inch
feet per minute	0.01667	feet per sec	grams per cc	3.405x10 <sup>-7</sup>	pounds per mil-foot
feet per minute	0.01829	kilometers per hour	Hectares	2.471	acres
feet per minute	0.3048	meters per minute	Hectares	1.076x10 <sup>5</sup>	square feet
feet per minute	0.01136	miles per hour	hectograms	100	grams
feet per second	30.48	centimeters per sec	hectoliters	100	liters
feet per second	1.097	kilometers per hour	hectometers	100	meters
feet per second	0.5921	knots per hour	hectowatts	100	watts
feet per second	18.29	meters per minute	hemispheres (solid angle)	0.5	sphere
feet per second	0.5818	miles per hour	hemispheres (solid angle)	4	spherical right angles
			hemispheres (solid angle)	6.283	steradians

MULTIPLY	BY	TO OBTAIN	MULTIPLY	BY	TO OBTAIN
henries	10 <sup>9</sup>	abhenries	kgs per sq millimeter	10 <sup>6</sup>	kgs per square meter
henries	10 <sup>3</sup>	millihenries	kilolines	10 <sup>9</sup>	maxwells
henries	1/9x10 <sup>-11</sup>	stathenries	kiloliters	10 <sup>3</sup>	liters
horse-power	42.44	Btu per min	kilometers	10 <sup>5</sup>	centimeters
horse-power	33.000	foot-pounds per min	kilometers	3281	feet
horse-power	550	foot-pounds per sec	kilometers	10 <sup>3</sup>	meters
horse-power	1.014	horsepower (metric)	kilometers	0.6214	miles
horse-power	10.70	kg.-calories per min	kilometers	1093.6	yards
horse-power	0.7457	kilowatts	kilometers per hour	27.78	centimeters per sec
horse-power	745.7	watts	kilometers per hour	54.68	feet per minute
horse-power (boiler)	33.520	Btu per hour	kilometers per hour	0.9113	feet per second
horse-power (boiler)	9.804	kilowatts	kilometers per hour	0.5396	knots per hour
horse-power-hours	2547	British thermal units	kilometers per hour	16.67	meters per minute
horse-power-hours	1.98x10 <sup>6</sup>	foot-pounds	kilometers per hour	0.6214	miles per hour
horse-power-hours	2.684x10 <sup>6</sup>	joules	kms per hour per sec	27.78	cms per sec per sec
horse-power-hours	641.7	kilogram-calories	kms per hour per sec	0.9113	ft per sec per sec
horse-power-hours	2.737x10 <sup>5</sup>	kilogram-meters	kms per hour per sec	0.2778	meters per sec per sec
horse-power-hours	0.7457	kilowatt-hours	kms per hour per sec	0.6214	miles per hr per sec
hours	60	minutes	kilometers per min	60	kilometers per hour
hours	3600	seconds	kilowatts	56.92	Btu per min
Inches	2.540	centimeters	kilowatts	4.425x10 <sup>4</sup>	foot-pounds per min
Inches	10 <sup>3</sup>	mils	kilowatts	737.6	foot-pounds per sec
Inches	.03	varas	kilowatts	1.341	horsepower
inches of mercury	0.03342	atmospheres	kilowatts	14.34	kg.-calories per min
inches of mercury	1.133	feet of water	kilowatts	10 <sup>3</sup>	watts
inches of mercury	345.3	kgs per square meter	kilowatt-hours	3415	British thermal units
inches of mercury	70.73	pounds per square ft	kilowatt-hours	2.655x10 <sup>6</sup>	foot-pounds
inches of mercury	0.4912	pounds per square in	kilowatt-hours	1.341	horsepower-hours
inches of water	0.002458	atmospheres	kilowatt-hours	3.6x10 <sup>6</sup>	joules
inches of water	0.07355	inches of mercury	kilowatt-hours	860.5	kilogram-calories
inches of water	25.40	kgs per square meter	kilowatt-hours	3.671x10 <sup>5</sup>	kilogram-meters
inches of water	0.5781	ounces per square in	knots	6080	feet
inches of water	5.204	pounds per square ft	knots	1.853	kilometers
inches of water	0.03613	pounds per square in	knots	1.152	miles
Joules	9.486x10 <sup>-4</sup>	British thermal units	knots	2027	yards
Joules	10 <sup>7</sup>	ergs	knots per hour	51.48	centimeters per sec
Joules	0.7376	foot-pounds	knots per hour	1.689	feet per sec
Joules	2.390x10 <sup>-4</sup>	kilogram-calories	knots per hour	1.853	kilometers per hour
Joules	0.1020	kilogram-meters	knots per hour	1.152	miles per hour
Joules	2.778x10 <sup>-4</sup>	watt-hours	Lines per square cm	1	gausses
Kilograms	980,665	dynes	lines per square inch	0.1550	gausses
Kilograms	10 <sup>3</sup>	grams	links (engineer's)	12	inches
Kilograms	70.93	poundals	links (surveyor's)	7.92	inches
Kilograms	2.2046	pounds	liters	10 <sup>3</sup>	cubic centimeters
Kilograms	1.102x10 <sup>-3</sup>	tons (short)	liters	0.03531	cubic feet
kilogram-calories	3.968	British thermal units	liters	61.02	cubic inches
kilogram-calories	3086	foot-pounds	liters	10 <sup>-3</sup>	cubic meters
kilogram-calories	1.558x10 <sup>-2</sup>	horsepower-hours	liters	1.308x10 <sup>-3</sup>	cubic yards
kilogram-calories	4183	joules	liters	0.2642	gallons
kilogram-calories	426.6	kilogram meters	liters	2.113	pints (liq)
kilogram-calories	1.162x10 <sup>-3</sup>	kilowatt-hours	liters	1.057	quarts (liq)
kg-calories per min	51.43	foot-pounds per sec	liters per minute	5.855x10 <sup>-4</sup>	cubic feet per second
kg-calories per min	0.09351	horsepower	liters per minute	4.403x10 <sup>-3</sup>	gallons per second
kg-calories per min	0.06972	kilowatts	log <sup>10</sup> N	2.303	log <sup>10</sup> N or ln N
kgs-cms squared	2.373x10 <sup>-3</sup>	pounds-feet squared	log <sup>10</sup> N or ln N	0.4343	log <sup>10</sup> N
kgs-cms squared	0.3417	pounds-inches squared	lumens per sq ft	1	foot-candles
kilogram-meters	9.302x10 <sup>-3</sup>	British thermal units	maxwells	10 <sup>-3</sup>	kilolines
kilogram-meters	9.807x10 <sup>7</sup>	ergs	megalines	10 <sup>6</sup>	maxwells
kilogram-meters	7.233	foot-pounds	megmhos per cm cube	10 <sup>-3</sup>	abmhos per cm cube
kilogram-meters	9.807	joules	megmhos per cm cube	2.540	megmhos per in cube
kilogram-meters	2.344x10 <sup>-3</sup>	kilogram-calories	megmhos per mil foot	0.1662	mhos per mil foot
kilogram-meters	2.724x10 <sup>-6</sup>	kilowatt-hours	megmhos per inch cube	0.3937	megmhos per cm cube
kgs per cubic meter	10 <sup>-2</sup>	grams per cubic cm	megohms	10 <sup>6</sup>	ohms
kgs per cubic meter	0.06243	pounds per cubic foot	meters	100	centimeters
kgs per cubic meter	3.613x10 <sup>-5</sup>	pounds per cubic inch	meters	3.2808	feet
kgs per cubic meter	3.405x10 <sup>-10</sup>	pounds per mil foot	meters	39.37	inches
kgs per meter	0.6720	pounds per foot	meters	10 <sup>-3</sup>	kilometers
kgs per square meter	9.678x10 <sup>-5</sup>	atmospheres	meters	10 <sup>3</sup>	millimeters
kgs per square meter	98.07	bars	meters	1.0936	yards
kgs per square meter	3.281x10 <sup>-2</sup>	feet of water	meter-kilograms	9.807x10 <sup>7</sup>	centimeter-dynes
kgs per square meter	2.896x10 <sup>-3</sup>	inches of mercury			
kgs per square meter	0.2048	pounds per square ft			
kgs per square meter	1.422x10 <sup>-3</sup>	pounds per square in			

MULTIPLY	BY	TO OBTAIN	MULTIPLY	BY	TO OBTAIN
meter-kilograms	10 <sup>3</sup>	centimeter-grams	Ohms	10 <sup>0</sup>	abohms
meter-kilograms	7.233	pound-feet	Ohms	10 <sup>-6</sup>	megohms
meters per minute	1.667	centimeters per sec	Ohms	10 <sup>6</sup>	microhms
meters per minute	3.281	feet per minute	Ohms	1/9x10 <sup>-11</sup>	stathms
meters per minute	0.05468	feet per second	ohms per mil foot	166.2	abohms per cm cube
meters per minute	0.06	kilometers per hour	ohms per mil foot	0.1662	microhms per cm cube
meters per second	0.03728	miles per hour	ohms per mil foot	0.06524	microhms per in cube
meters per second	1968	feet per minute	ounces	9	drams
meters per second	3.284	feet per second	ounces	437.5	grains
meters per second	3.0	kilometers per hour	ounces	28.35	grams
meters per second	0.06	kilometers per min	ounces	0.0625	pounds
meters per second	2.237	miles per hour	ounces (fluid)	1.805	cubic inches
meters per sec per sec	0.03728	miles per minute	ounces (fluid)	0.02957	liters
meters per sec per sec	3.281	feet per sec per sec	ounces (troy)	480	grains (troy)
meters per sec per sec	3.6	kms per hour per sec	ounces (troy)	31.10	grams
meters per sec per sec	2.237	miles per hour per sec	ounces (troy)	20	pennyweights (troy)
mhos per mil foot	6.015x10 <sup>-3</sup>	abmhms per cm cube	ounces (troy)	0.08333	pounds (troy)
mhos per mil foot	6.015	megmhms per cm cube	ounces per sq inch	0.0625	pounds per sq inch
mhos per mil foot	15.28	megmhms per in cube	Pennyweights (troy)	24	grains (troy)
microfarads	10 <sup>-15</sup>	abfarads	Pennyweights (troy)	1.555	grams
microfarads	10 <sup>-4</sup>	farads	Pennyweights (troy)	0.05	ounces (troy)
microfarads	9x10 <sup>3</sup>	staffarads	perches (masonry)	24.75	cubic feet
micrograms	10 <sup>-6</sup>	grams	pints (dry)	33.60	cubic inches
microliters	10 <sup>-6</sup>	liters	pints (liquid)	28.87	cubic inches
microhms	10 <sup>3</sup>	abohms	poundals	13.826	dynes
microhms	10 <sup>-12</sup>	megohms	poundals	14.10	grams
microhms	10 <sup>-6</sup>	ohms	poundals	0.03108	pounds
microhms	1/9x10 <sup>-17</sup>	stathms	pounds	444.823	dynes
microhms per cm cube	10 <sup>3</sup>	abohms per cm cube	pounds	7000	grains
microhms per cm cube	0.3937	microhms p in cube	pounds	453.6	grams
microhms per cm cube	6.015	ohms per mil foot	pounds	16	ounces
microhms per inch cube	2.540	microhms p cm cube	pounds (troy)	32.17	poundals
microns	10 <sup>-6</sup>	meters	pound-foot	0.8229	pounds (av)
miles	1.609x10 <sup>5</sup>	centimeters	pound-foot	1.356x10 <sup>7</sup>	centimeter-dynes
miles	5280	feet	pound-foot	13.825	centimeter-grams
miles	1.6093	kilometers	pound-foot	0.1383	meter-kilograms
miles	1760	yards	pounds-feet squared	421.3	kgs-cms squared
miles	1900.8	varas	pounds-feet squared	144	pounds-in squared
miles per hour	44.70	centimeters per sec	pounds-in (squared)	2.926	kgs-cms squared
miles per hour	88	feet per minute	pounds-in (squared)	6.945x10 <sup>-2</sup>	pounds-feet squared
miles per hour	1.467	feet per second	pounds of water	0.01602	cubic feet
miles per hour	1.6093	kilometers per hour	pounds of water	27.68	cubic inches
miles per hour	0.8684	knots per hour	pounds of water	0.1198	gallons
miles per hour	26.82	meters per minute	pounds of water per min	2669x10 <sup>-4</sup>	cubic feet per sec
miles per hour per sec	44.70	cms per sec per sec	pounds per cubic foot	0.01602	grams per cubic cm
miles per hour per sec	1.467	feet per sec per sec	pounds per cubic foot	16.02	kgs per cubic meter
miles per hour per sec	1.6093	kms per hour per sec	pounds per cubic foot	5.787x10 <sup>-1</sup>	pounds per cubic inch
miles per hour per sec	0.4470	M per sec per sec	pounds per cubic foot	5.456x10 <sup>-9</sup>	pounds per mil foot
miles per minute	2682	centimeters per sec	pounds per cubic inch	27.68	grams per cubic cm
miles per minute	88	feet per second	pounds per cubic inch	2.768x10 <sup>1</sup>	kgs per cubic meter
miles per minute	1.6093	kilometers per hour	pounds per cubic inch	1728	pounds per cubic foot
miles per minute	0.8684	knots per minute	pounds per cubic inch	9.425x10 <sup>-6</sup>	pounds per mil foot
miles per minute	660	miles per hour	pounds per foot	1.488	kgs per meter
milligrams	10 <sup>-2</sup>	grams	pounds per inch	178.6	grams per cm
millihenries	10 <sup>6</sup>	agheries	pounds per mil foot	2.306x10 <sup>6</sup>	grams per cubic cm
millihenries	10 <sup>-3</sup>	henries	pounds per square foot	0.01602	feet of water
millihenries	1/9x10 <sup>-14</sup>	stathenries	pounds per square foot	4.882	kgs per square meter
milliliters	10 <sup>-2</sup>	liters	pounds per square foot	6.944x10 <sup>-3</sup>	pounds per sq inch
millimeters	0.1	centimeters	pounds per sq inch	0.06804	atmospheres
millimeters	0.03937	inches	pounds per sq inch	2.307	feet of water
millimeters	39.37	mils	pounds per sq inch	2.036	inches of mercury
mils	0.002540	centimeters	pounds per sq inch	703.1	kgs per square meter
mils	10 <sup>-3</sup>	inches	pounds per sq inch	144	pounds per sq foot
miner's inches	1.5	cubic feet per min	Quadrants angle	90	degrees
minutes (angle)	2.909x10 <sup>-4</sup>	radians	Quadrants angle	5400	minutes
minutes (angle)	60	seconds (angle)	Quadrants angle	1.571	radians
months	30.42	days	quarts (dry)	67.20	cubic inches
months	730	hours	quarts (liq)	57.75	cubic inches
months	43,800	minutes	quintals	100	pounds
months	2.628x10 <sup>6</sup>	seconds	quires	25	sheets
myriagrams	10	kilograms	Radians	57.30	degrees
myriameters	10	kilowatts	Radians	3438	minutes
myriawatts	10	kilometers	Radians	0.637	quadrants



**IMPACT DATA CONVERSION TABLE**  
 One ft-lb = 0.13826 kg-m

Ft-lb	Kg-m	Ft-lb	Kg-m	Ft-lb	Kg-m
1	.14	34	4.70	68	9.40
2	.28	35	4.84	69	9.54
3	.42	36	4.98	70	9.68
4	.55	37	5.12	71	9.82
5	.69	38	5.25	72	9.95
6	.83	39	5.39	73	10.09
7	.97	40	5.53	74	10.23
8	1.11			75	10.37
9	1.24	41	5.67	76	10.51
10	1.38	42	5.81	77	10.65
		43	5.95	78	10.78
11	1.52	44	6.08	79	10.92
12	1.66	45	6.22	80	11.06
13	1.80	46	6.36		
14	1.94	47	6.50	81	11.20
15	2.07	48	6.64	82	11.34
16	2.21	49	6.78	83	11.48
17	2.35	50	6.91	84	11.61
18	2.49			85	11.75
19	2.63	51	7.05	86	11.89
20	2.77	52	7.19	87	12.03
		53	7.33	88	12.17
21	2.90	54	7.47	89	12.31
22	3.04	55	7.60	90	12.44
23	3.18	56	7.74		
24	3.32	57	7.88	91	12.58
25	3.46	58	8.02	92	12.72
26	3.60	59	8.16	93	12.86
27	3.73	60	8.30	94	13.00
28	3.87			95	13.13
29	4.01	61	8.43	96	13.27
30	4.15	62	8.57	97	13.41
		63	8.71	98	13.55
31	4.29	64	8.85	99	13.69
32	4.42	65	8.99	100	13.83
33	4.56	66	9.13		
		67	9.26		



**WEIGHT COMPARISON TABLE**

Avoirdupois Pounds	Kilograms	Short Tons	Long Tons	Metric Tons
1	.45359	.0005	.00044643	.00045359
2	.90718	.0010	.00089286	.00090718
3	1.36078	.0015	.00133929	.00136078
4	1.81437	.0020	.00178571	.00181437
5	2.26796	.0025	.00223214	.00226796
6	2.72155	.0030	.00267857	.00272155
7	3.17515	.0035	.00312500	.00317515
8	3.62874	.0040	.00357143	.00362874
9	4.08233	.0045	.00401786	.00408233
2.20462	1	.00110231	.00098421	.001
4.40924	2	.00220462	.00196841	.002
6.61387	3	.00330693	.00295262	.003
8.81849	4	.00440924	.00393683	.004
11.02311	5	.00551156	.00492103	.005
13.22773	6	.00661387	.00590524	.006
15.43236	7	.00771618	.00688944	.007
17.63698	8	.00881849	.00787365	.008
19.84160	9	.00992080	.00885786	.009
2000	907.18	1	.89287	.90718
4000	1814.37	2	1.78571	1.81437
6000	2721.55	3	2.67857	2.72155
8000	3628.74	4	3.57143	3.62874
10000	4535.92	5	4.46429	4.53592
12000	5443.11	6	5.35714	5.44311
14000	6350.29	7	6.25000	6.35029
16000	7257.48	8	7.14286	7.25748
18000	8164.66	9	8.03571	8.16466
2240	1016.05	1.12	1	1.01605
4480	2032.09	2.24	2	2.03209
6720	3048.14	3.36	3	3.04814
8960	4064.19	4.48	4	4.06419
11200	5080.24	5.60	5	5.08024
13440	6096.28	6.72	6	6.09628
15680	7112.32	7.84	7	7.11232
17920	8128.38	8.96	8	8.12838
20160	9144.42	10.08	9	9.14442
2204.62	1000	1.10231	.98421	1
4409.24	2000	2.20462	1.96841	2
6613.87	3000	3.30693	2.95262	3
8818.49	4000	4.40924	3.93683	4
11023.11	5000	5.51156	4.92103	5
13227.73	6000	6.61887	5.90524	6
15432.36	7000	7.71618	6.88944	7
17636.98	8000	8.81849	7.87365	8
19841.60	9000	9.92080	8.85786	9

From Republic Alloy Steels, Republic Steel Corp.

**LOAD CONVERSION TABLE**

TONS PER SQUARE INCH TO POUNDS PER SQUARE INCH						KILOGRAMS PER SQUARE MILLIMETER TO POUNDS PER SQUARE INCH					
Tons per Sq. in.	Pounds per Sq. in.	Tons per Sq. in.	Pounds per Sq. in.	Tons per Sq. in.	Pounds per Sq. in.	Kg. per Sq. mm.	Pounds per Sq. in.	Kg. per Sq. mm.	Pounds per Sq. in.	Kg. per Sq. mm.	Pounds per Sq. in.
10.0	22,400	35.0	78,400	70	156,800	10	14,223	60	85,340	110	156,457
10.5	23,520	35.5	79,520	71	159,040	11	15,646	61	86,763	111	157,880
11.0	24,640	36.0	80,640	72	161,280	12	17,068	62	88,185	112	159,302
11.5	25,760	36.5	81,760	73	163,520	13	18,490	63	89,607	113	160,724
12.0	26,880	37.0	82,880	74	165,760	14	19,913	64	91,030	114	162,147
12.5	28,000	37.5	84,000	75	168,000	15	21,335	65	92,452	115	163,569
13.0	29,120	38.0	85,120	76	170,240	16	22,757	66	93,874	116	164,991
13.5	30,240	38.5	86,240	77	172,480	17	24,180	67	95,297	117	166,414
14.0	31,360	39.0	87,360	78	174,720	18	25,602	68	96,719	118	167,836
14.5	32,480	39.5	88,480	79	176,960	19	27,024	69	98,141	119	169,258
15.0	33,600	40.0	89,600	80	179,200	20	28,447	70	99,564	120	170,681
15.5	34,720	40.5	90,720	81	181,440	21	29,869	71	100,986	121	172,103
16.0	35,840	41.0	91,840	82	183,680	22	31,291	72	102,408	122	173,525
16.5	36,960	41.5	92,960	83	185,920	23	32,714	73	103,831	123	174,948
17.0	38,080	42.0	94,080	84	188,160	24	34,136	74	105,253	124	176,370
17.5	39,200	42.5	95,200	85	190,400	25	35,558	75	106,675	125	177,792
18.0	40,320	43.0	96,320	86	192,640	26	36,981	76	108,098	126	179,215
18.5	41,440	43.5	97,440	87	194,880	27	38,403	77	109,520	127	180,637
19.0	42,560	44.0	98,560	88	197,120	28	39,826	78	110,943	128	182,059
19.5	43,680	44.5	99,680	89	199,360	29	41,248	79	112,365	129	183,482
20.0	44,800	45.0	100,800	90	201,600	30	42,670	80	113,787	130	184,904
20.5	45,920	45.5	101,920	91	203,840	31	44,093	81	115,210	131	186,327
21.0	47,040	46.0	103,040	92	206,080	32	45,515	82	116,632	132	187,749
21.5	48,160	46.5	104,160	93	208,320	33	46,937	83	118,054	133	189,171
22.0	49,280	47.0	105,280	94	210,560	34	48,360	84	119,477	134	190,594
22.5	50,400	47.5	106,400	95	212,800	35	49,782	85	120,899	135	192,016
23.0	51,520	48.0	107,520	96	215,040	36	51,204	86	122,321	136	193,438
23.5	52,640	48.5	108,640	97	217,280	37	52,627	87	123,744	137	194,861
24.0	53,760	49.0	109,760	98	219,520	38	54,049	88	125,166	138	196,283
24.5	54,880	49.5	110,880	99	221,760	39	55,471	89	126,588	139	197,705
25.0	56,000	50	112,000	100	224,000	40	56,894	90	128,011	140	199,128
25.5	57,120	51	114,240	101	226,240	41	58,316	91	129,433	141	200,550
26.0	58,240	52	116,480	102	228,480	42	59,738	92	130,855	142	201,972
26.5	59,360	53	118,720	103	230,720	43	61,161	93	132,278	143	203,395
27.0	60,480	54	120,960	104	232,960	44	62,583	94	133,700	144	204,817
27.5	61,600	55	123,200	105	235,200	45	64,005	95	135,122	145	206,239
28.0	62,720	56	125,440	106	237,440	46	65,428	96	136,545	146	207,662
28.5	63,840	57	127,680	107	239,680	47	66,850	97	137,967	147	209,084
29.0	64,960	58	129,920	108	241,920	48	68,272	98	139,389	148	210,506
29.5	66,080	59	132,160	109	244,160	49	69,695	99	140,812	149	211,929
30.0	67,200	60	134,400	110	246,400	50	71,117	100	142,234	150	213,351
30.5	68,320	61	136,640	111	248,640	51	72,539	101	143,656	151	214,773
31.0	69,440	62	138,880	112	250,880	52	73,962	102	145,079	152	216,196
31.5	70,560	63	141,120	113	253,120	53	75,384	103	146,501	153	217,618
32.0	71,680	64	143,360	114	255,360	54	76,806	104	147,923	154	219,040
32.5	72,800	65	145,600	115	257,600	55	78,229	105	149,346	155	220,463
33.0	73,920	66	147,840	116	259,840	56	79,651	106	150,768	156	221,885
33.5	75,040	67	150,080	117	262,080	57	81,073	107	152,190	157	223,307
34.0	76,160	68	152,320	118	264,320	58	82,496	108	153,613	158	224,730
34.5	77,280	69	154,560	119	266,560	59	83,918	109	155,035	159	226,152

## Wires

## INCHES PER POUND OF WIRES

Diameter (in.)

	0.020	0.025	0.030	0.035	0.045	0.062	0.078	0.093	0.125
					3/64	1/16	5/64	3/32	1/8
Magnesium	50500	34700	22400	16500	9990	5270	3300	2350	1280
Aluminum	32400	22300	14420	10600	6410	3382	2120	1510	825
Aluminum Bronze	11600	7960	5150	3780	2290	1220	756	538	295
400 series Stainless Steel	11350	7820	5050	3720	2240	1180	742	528	289
Mild Steel	11100	7680	4960	3650	2210	1160	730	519	284
300 series Stainless Steel	10950	7550	4880	3590	2170	1140	718	510	279
Silicon Bronze	10300	7100	4600	3380	2040	1070	675	480	263
Copper Nickel	9950	6850	4430	3260	1970	1040	650	462	253
Nickel	9900	6820	4400	3240	1960	1030	647	460	252
Deoxidized Copper	9800	6750	4360	3200	1940	1200	640	455	249

From Gas Metal-Arc Welding, Miller Electric Manufacturing Co.

## TWIST DRILL GAUGE SIZES

Inches

No.	Size	No.	Size	No.	Size	No.	Size	No.	Size
1	0.2280	17	0.1730	33	0.1130	49	0.0730	65	0.0350
2	0.2210	18	0.1695	34	0.1110	50	0.0700	66	0.0330
3	0.2130	19	0.1660	35	0.1100	51	0.0670	67	0.0320
4	0.2090	20	0.1610	36	0.1065	52	0.0635	68	0.0310
5	0.2055	21	0.1590	37	0.1040	53	0.0595	69	0.0292
6	0.2040	22	0.1570	38	0.1015	54	0.0550	70	0.0280
7	0.2010	23	0.1540	39	0.0995	55	0.0520	71	0.0260
8	0.1990	24	0.1520	40	0.0980	56	0.0465	72	0.0250
9	0.1960	25	0.1495	41	0.0960	57	0.0430	73	0.0240
10	0.1935	26	0.1470	42	0.0935	58	0.0420	74	0.0225
11	0.1910	27	0.1440	43	0.0890	59	0.0410	75	0.0210
12	0.1890	28	0.1405	44	0.0860	60	0.0400	76	0.0200
13	0.1850	29	0.1360	45	0.0820	61	0.0390	77	0.0180
14	0.1820	30	0.1285	46	0.0810	62	0.0380	78	0.0160
15	0.1800	31	0.1200	47	0.0785	63	0.0370	79	0.0145
16	0.1770	32	0.1160	48	0.0760	64	0.0360	80	0.0135

Centimeters

No.	Size	No.	Size	No.	Size	No.	Size	No.	Size
1	0.5791	17	0.4394	33	0.2870	49	0.1854	65	0.0889
2	0.5613	18	0.4305	34	0.2819	50	0.1778	66	0.0838
3	0.5410	19	0.4216	35	0.2794	51	0.1702	67	0.0813
4	0.5309	20	0.4089	36	0.2705	52	0.1613	68	0.0787
5	0.5220	21	0.4039	37	0.2642	53	0.1511	69	0.0743
6	0.5182	22	0.3988	38	0.2578	54	0.1397	70	0.0711
7	0.5105	23	0.3912	39	0.2527	55	0.1321	71	0.0660
8	0.5055	24	0.3861	40	0.2489	56	0.1181	72	0.0635
9	0.4978	25	0.3797	41	0.2438	57	0.1092	73	0.0610
10	0.4915	26	0.3734	42	0.2375	58	0.1067	74	0.0572
11	0.4851	27	0.3658	43	0.2261	59	0.1041	75	0.0533
12	0.4801	28	0.3569	44	0.2184	60	0.1016	76	0.0508
13	0.4699	29	0.3454	45	0.2083	61	0.0991	77	0.0457
14	0.4623	30	0.3264	46	0.2057	62	0.0965	78	0.0406
15	0.4572	31	0.3048	47	0.1994	63	0.0940	79	0.0368
16	0.4496	32	0.2946	48	0.1930	64	0.0914	80	0.0343

**COMPARATIVE TABLE OF WIRE GAGES**  
Dimensions of Sizes (in.)

No. of Wire Gage	American or B. & S.	Washburn & Moen, Worcester, Mass.	W. & M. Steel Music Wire	New Am. S. & W. Co.'s Music Wire Gage	Imperial Wire Gage	Stubbs' Steel Wire	Birmingham or Stubbs' Iron Wire
00000000			0.0083				
0000000		0.490	0.0087				
0000000		0.4615	0.0095	0.004	0.464		
00000		0.4305	0.010	0.005	0.432		
0000	0.460	0.3938	0.011	0.006	0.400		0.454
000	0.40964	0.3625	0.012	0.007	0.372		0.425
00	0.3648	0.3310	0.0133	0.008	0.348		0.380
0	0.32486	0.3065	0.0144	0.009	0.324		0.340
1	0.2893	0.2830	0.0156	0.010	0.300	0.227	0.300
2	0.25763	0.2625	0.0166	0.011	0.276	0.219	0.284
3	0.22942	0.2437	0.0178	0.012	0.252	0.212	0.259
4	0.20431	0.2253	0.0188	0.013	0.232	0.207	0.238
5	0.18194	0.2070	0.0202	0.014	0.212	0.204	0.220
6	0.16202	0.1920	0.0215	0.016	0.192	0.201	0.203
7	0.14428	0.1770	0.023	0.018	0.176	0.199	0.180
8	0.12849	0.1620	0.0243	0.020	0.160	0.197	0.165
9	0.11443	0.1483	0.0256	0.022	0.144	0.194	0.148
10	0.10189	0.1350	0.027	0.024	0.128	0.191	0.134
11	0.090742	0.1205	0.0284	0.026	0.116	0.188	0.120
12	0.080808	0.1055	0.0296	0.029	0.104	0.185	0.109
13	0.071961	0.0915	0.0314	0.031	0.092	0.182	0.095
14	0.064804	0.0800	0.0326	0.033	0.080	0.180	0.083
15	0.057068	0.0720	0.0345	0.035	0.072	0.178	0.072
16	0.05082	0.0625	0.036	0.037	0.064	0.175	0.065
17	0.045257	0.0540	0.0377	0.039	0.056	0.172	0.058
18	0.040303	0.0475	0.0395	0.041	0.048	0.168	0.049
19	0.03589	0.0410	0.0414	0.043	0.040	0.164	0.042
20	0.031961	0.0348	0.0434	0.045	0.036	0.161	0.035
21	0.028462	0.03175	0.046	0.047	0.032	0.157	0.032
22	0.025347	0.0286	0.0483	0.049	0.028	0.155	0.028
23	0.022571	0.0258	0.051	0.051	0.024	0.153	0.025
24	0.0201	0.0230	0.055	0.055	0.022	0.151	0.022
25	0.0179	0.0204	0.0586	0.059	0.020	0.148	0.020
26	0.01594	0.0181	0.0626	0.063	0.018	0.146	0.018
27	0.014195	0.0173	0.0658	0.067	0.0164	0.143	0.016
28	0.012641	0.0162	0.072	0.071	0.0149	0.139	0.014
29	0.011257	0.0150	0.076	0.075	0.0136	0.134	0.013
30	0.010025	0.0140	0.080	0.080	0.0124	0.127	0.012
31	0.008928	0.0132		0.085	0.0116	0.120	0.010
32	0.00795	0.0128		0.090	0.0108	0.115	0.009
33	0.00708	0.0118		0.095	0.0100	0.112	0.008
34	0.006304	0.0104			0.0092	0.110	0.007
35	0.005614	0.0095			0.0084	0.108	0.005
36	0.005	0.0090			0.0076	0.106	0.004
37	0.004453				0.0068	0.103	
38	0.003965				0.0060	0.101	
39	0.003531				0.0052	0.099	
40	0.003144				0.0048	0.097	

From Republic Alloy Steels, Republic Steel Corp.

### WIRE TABLES\*

#### Solid Copper Wire

A. W. G. or B. & S. Gage; English Units  
100 per cent conductivity; density 8.89 at 20 deg cent

Gage No.	Diameter in Mils	Cross-section		Resistance at 20° C or 68° F		Weight in Pounds		Feet per Pound
		Circular Mils	Square Inches	Ohms per 1000 ft	Ohms per Mile	per 1000 ft	per Mile	
0000	460.0	211,600	0.1662	0.04901	0.259	640.5	3380	1.561
000	409.6	167,800	0.1318	0.06180	0.326	507.9	2680	1.968
00	364.8	133,100	0.1045	0.07793	0.411	402.8	2130	2.482
0	324.9	105,500	0.08289	0.09827	0.519	319.5	1680	3.130
1	289.3	83,690	0.06573	0.1239	0.654	253.3	1340	3.947
2	257.6	66,370	0.05213	0.1563	0.825	200.9	1060	4.977
3	229.4	52,640	0.04134	0.1970	1.04	159.3	841	6.276
4	204.3	41,740	0.03278	0.2485	1.31	126.4	667	7.914
5	181.9	33,100	0.02600	0.3133	1.65	100.2	529	9.980
6	162.0	26,250	0.02062	0.3951	2.09	79.46	420	12.58
7	144.3	20,820	0.01635	0.4982	2.63	63.02	333	15.87
8	128.5	16,510	0.01297	0.6282	3.32	49.98	264	20.01
10	101.9	10,380	0.008155	0.9989	5.28	31.43	166	31.82
12	80.81	6,530	0.005129	1.588	8.38	19.77	104	50.59
14	64.08	4,107	0.003225	2.525	13.3	12.43	63.3	80.44
15	57.07	3,257	0.002558	3.184	16.8	9.858	52.0	101.4
16	50.82	2,583	0.002028	4.015	21.2	7.818	41.3	127.9
17	45.26	2,048	0.001609	5.064	26.7	6.200	32.7	161.3
18	40.30	1,624	0.001276	6.385	33.7	4.917	26.0	203.4
19	35.89	1,288	0.001012	8.051	42.5	3.899	20.6	256.5
20	31.96	1,022	0.0008023	10.15	53.6	3.092	16.3	323.4
21	28.46	810.1	0.0006363	12.80	67.6	2.452	12.9	407.8
22	25.35	642.4	0.0005046	16.14	85.2	1.945	10.3	514.2
23	22.57	509.5	0.0004002	20.36	108	1.542	8.14	648.4
24	20.10	404.0	0.0003173	25.67	135	1.223	6.46	817.7
25	17.90	320.4	0.0002517	32.37	171	0.9699	5.12	1,031
26	15.94	254.1	0.0001996	40.82	216	0.7692	4.06	1,300
27	14.20	201.5	0.0001583	51.46	272	0.6100	3.22	1,639
28	12.64	159.8	0.0001255	64.90	343	0.4837	2.55	2,067
29	11.26	126.7	0.00009953	81.84	432	0.3836	2.03	2,607
30	10.03	100.5	0.00007894	103.2	545	0.3042	1.61	3,287
31	8.928	79.70	0.00006260	130.1	687	0.2413	1.27	4,145
32	7.950	63.21	0.00004964	164.1	866	0.1913	1.01	5,227
33	7.080	50.13	0.00003937	206.9	1,090	0.1517	0.814	6,591
34	6.305	39.75	0.00003122	260.9	1,380	0.1203	0.635	8,310
35	5.615	31.52	0.00002476	329.0	1,740	0.09542	0.504	10,480
36	5.000	25.00	0.00001964	414.8	2,190	0.07568	0.400	13,210
37	4.453	19.83	0.00001557	523.1	2,762	0.06001	0.317	16,660
38	3.965	15.72	0.00001235	659.6	3,480	0.04759	0.251	21,010
39	3.531	12.47	0.000009793	831.8	4,392	0.03774	0.199	26,500
40	3.145	9.888	0.000007766	1049	5,540	0.02993	0.158	33,410
41	2.800	7.842	0.000006159	1323	6,983	0.02374	0.125	42,130
42	2.494	6.219	0.000004884	1668	8,806	0.01862	0.0994	53,120
43	2.221	4.932	0.000003873	2103	11,100	0.01493	0.0788	66,990
44	1.978	3.911	0.000003072	2652	14,000	0.01184	0.0625	84,470

### WIRE TABLES\*

#### Solid Copper Wire

A. W. G. or B. & S. Gage in Metric Units  
100 per cent conductivity; density 8.89 at 20 deg cent

Gage No.	Diameter, mm	Cross-section, sq mm	Ohms per Kilometer 20° C	Kilograms per Kilometer
0000	11.68	107.2	0.1608	953.2
000	10.40	85.03	0.2028	755.9
00	9.266	67.43	0.2557	599.5
0	8.252	53.48	0.3224	475.4
1	7.348	42.41	0.4066	377.0
2	6.544	33.63	0.5126	299.0
3	5.827	26.67	0.6464	237.1
4	5.189	21.15	0.8152	188.0
5	4.621	16.77	1.028	149.1
6	4.115	13.30	1.296	118.2
7	3.665	10.55	1.634	93.78
8	3.264	8.366	2.061	74.37
10	2.588	5.261	3.277	46.77
12	2.053	3.309	5.211	29.42
14	1.628	2.081	8.285	18.50
15	1.450	1.650	10.45	14.67
16	1.291	1.309	13.18	11.63
17	1.150	1.038	16.61	9.226
18	1.024	0.8231	20.95	7.317
19	0.9116	0.6527	26.42	5.803
20	0.8118	0.5176	33.31	4.602
21	0.7230	0.4105	42.00	3.649
22	0.6438	0.3255	52.96	2.894
23	0.5733	0.2582	66.79	2.295
24	0.5106	0.2047	84.22	1.820
25	0.4547	0.1624	106.2	1.443
26	0.4049	0.1288	133.9	1.145
27	0.3606	0.1021	168.8	0.9078
28	0.3211	0.08098	212.9	0.7199
29	0.2859	0.06422	268.5	0.5709
30	0.2546	0.05093	338.6	0.4527
31	0.2268	0.04039	426.9	0.3590
32	0.2019	0.03203	538.3	0.2847
33	0.1798	0.02540	678.8	0.2258
34	0.1601	0.02014	856.0	0.1791
35	0.1426	0.01597	1079	0.1420
36	0.1270	0.01267	1361	0.1126
37	0.1131	0.01005	1716	0.08931
38	0.1007	0.007967	2164	0.07083
39	0.08969	0.006318	2729	0.05617
40	0.07987	0.005010	3441	0.04454
41	0.07113	0.003973	4339	0.03532
42	0.06334	0.003151	5472	0.02801
43	0.05641	0.002499	6900	0.02222
44	0.05023	0.001982	8700	0.01762

\*From Electrical Engineer's Handbook, Pender and McIlwain

# AISI-SAE Standard Carbon Steels

## Free-Machining Grades

AISI No.	Composition*, %				SAE No.
	C	Mn	P	S	
<b>Resulturized</b>					
1108	0.08 to 0.13	0.50 to 0.80	0.040 max	0.08 to 0.13	1108
1109	0.08 to 0.13	0.60 to 0.90	0.040 max	0.08 to 0.13	1109
1110	0.08 to 0.13	0.30 to 0.60	0.040 max	0.08 to 0.13	1110
1116	0.14 to 0.20	1.10 to 1.40	0.040 max	0.16 to 0.23	1116
1117	0.14 to 0.20	1.00 to 1.30	0.040 max	0.08 to 0.13	1117
1118	0.14 to 0.20	1.30 to 1.60	0.040 max	0.08 to 0.13	1118
1119	0.14 to 0.20	1.00 to 1.30	0.040 max	0.24 to 0.33	1119
1132	0.27 to 0.34	1.35 to 1.65	0.040 max	0.08 to 0.13	1132
1137	0.32 to 0.39	1.35 to 1.65	0.040 max	0.08 to 0.13	1137
1139	0.35 to 0.43	1.35 to 1.65	0.040 max	0.13 to 0.20	1139
1140	0.37 to 0.44	0.70 to 1.00	0.040 max	0.08 to 0.13	1140
1141	0.37 to 0.45	1.35 to 1.65	0.040 max	0.08 to 0.13	1141
1144	0.40 to 0.48	1.35 to 1.65	0.040 max	0.24 to 0.33	1144
1145	0.42 to 0.49	0.70 to 1.00	0.040 max	0.04 to 0.07	1145
1146	0.42 to 0.49	0.70 to 1.00	0.040 max	0.08 to 0.13	1146
1151	0.48 to 0.55	0.70 to 1.00	0.040 max	0.08 to 0.13	1151
<b>Resulturized and Rephosphorized</b>					
1211	0.13 max	0.60 to 0.90	0.07 to 0.12	0.10 to 0.15	1211
1212	0.13 max	0.70 to 1.00	0.07 to 0.12	0.16 to 0.23	1212
1213	0.13 max	0.70 to 1.00	0.07 to 0.12	0.24 to 0.33	1213
1215	0.09 max	0.75 to 1.05	0.04 to 0.09	0.26 to 0.35	1215
12L14†	0.15 max	0.85 to 1.15	0.04 to 0.09	0.26 to 0.35	12L14

## Nonresulturized Grades

AISI No.	Composition*, %				SAE No.
	C	Mn	P Max	S Max	
1005	0.06 max	0.35 max	0.040	0.050	1005
1006	0.08 max	0.25 to 0.40	0.040	0.050	1006
1008	0.10 max	0.30 to 0.50	0.040	0.050	1008
1010	0.08 to 0.13	0.30 to 0.60	0.040	0.050	1010
1011	0.08 to 0.13	0.60 to 0.90	0.040	0.050	1011
1012	0.10 to 0.15	0.30 to 0.60	0.040	0.050	1012
1013	0.11 to 0.16	0.50 to 0.80	0.040	0.050	1013
1513	0.10 to 0.16	1.10 to 1.40	0.040	0.050	1513
1015	0.13 to 0.18	0.30 to 0.60	0.040	0.050	1015
1016	0.13 to 0.18	0.60 to 0.90	0.040	0.050	1016
1017	0.15 to 0.20	0.30 to 0.60	0.040	0.050	1017
1018	0.15 to 0.20	0.60 to 0.90	0.040	0.050	1018
1518	0.15 to 0.21	1.10 to 1.40	0.040	0.050	1518
1019	0.15 to 0.20	0.70 to 1.00	0.040	0.050	1019
1020	0.18 to 0.23	0.30 to 0.60	0.040	0.050	1020
1021	0.18 to 0.23	0.60 to 0.90	0.040	0.050	1021
1022	0.18 to 0.23	0.70 to 1.00	0.040	0.050	1022
1522	0.18 to 0.24	1.10 to 1.40	0.040	0.050	1522
1023	0.20 to 0.25	0.30 to 0.60	0.040	0.050	1023
1524	0.19 to 0.25	1.35 to 1.65	0.040	0.050	1524
1025	0.22 to 0.28	0.30 to 0.60	0.040	0.050	1025
1525	0.23 to 0.29	0.80 to 1.10	0.040	0.050	1525
1026	0.22 to 0.28	0.60 to 0.90	0.040	0.050	1026
1526	0.22 to 0.29	1.10 to 1.40	0.040	0.050	1526
1527	0.22 to 0.29	1.20 to 1.50	0.040	0.050	1527
1029	0.25 to 0.31	0.60 to 0.90	0.040	0.050	1029
1030	0.28 to 0.34	0.60 to 0.90	0.040	0.050	1030
1033	0.29 to 0.36	0.70 to 1.00	0.040	0.050	1033
1034	0.32 to 0.38	0.50 to 0.80	0.040	0.050	—
1035	0.32 to 0.38	0.60 to 0.90	0.040	0.050	1035
1536	0.30 to 0.37	1.20 to 1.50	0.040	0.050	1536
1037	0.32 to 0.38	0.70 to 1.00	0.040	0.050	1037
1038	0.35 to 0.42	0.60 to 0.90	0.040	0.050	1038
1039	0.37 to 0.44	0.70 to 1.00	0.040	0.050	1039
1040	0.37 to 0.44	0.60 to 0.90	0.040	0.050	1040
1541	0.36 to 0.44	1.35 to 1.65	0.040	0.050	1541
1042	0.40 to 0.47	0.60 to 0.90	0.040	0.050	1042
1043	0.40 to 0.47	0.70 to 1.00	0.040	0.050	1043
1044	0.43 to 0.50	0.30 to 0.60	0.040	0.050	1044
1045	0.43 to 0.50	0.60 to 0.90	0.040	0.050	1045
1046	0.43 to 0.50	0.70 to 1.00	0.040	0.050	1046
1547	0.45 to 0.51	1.35 to 1.65	0.040	0.050	1547
1548	0.44 to 0.52	1.10 to 1.40	0.040	0.050	1548
1049	0.46 to 0.53	0.60 to 0.90	0.040	0.050	1049
1050	0.48 to 0.55	0.60 to 0.90	0.040	0.050	1050
1551	0.45 to 0.56	0.85 to 1.15	0.040	0.050	1551
1552	0.47 to 0.55	1.20 to 1.50	0.040	0.050	1552
1053	0.48 to 0.55	0.70 to 1.00	0.040	0.050	1053
1055	0.50 to 0.60	0.60 to 0.90	0.040	0.050	1055
1059	0.55 to 0.65	0.50 to 0.80	0.040	0.050	—
1060	0.55 to 0.65	0.60 to 0.90	0.040	0.050	1060
1561	0.55 to 0.65	0.75 to 1.05	0.040	0.050	1561
1065	0.60 to 0.70	0.60 to 0.90	0.040	0.050	1065
1566	0.60 to 0.71	0.85 to 1.15	0.040	0.050	1566
1069	0.65 to 0.75	0.40 to 0.70	0.040	0.050	1069
1070	0.65 to 0.75	0.60 to 0.90	0.040	0.050	1070
1572	0.65 to 0.76	1.00 to 1.30	0.040	0.050	1572
1074	0.70 to 0.80	0.50 to 0.80	0.040	0.050	1074
1075	0.70 to 0.80	0.40 to 0.70	0.040	0.050	1075
1078	0.72 to 0.85	0.30 to 0.60	0.040	0.050	1078
1080	0.75 to 0.88	0.60 to 0.90	0.040	0.050	1080
1084	0.80 to 0.93	0.60 to 0.90	0.040	0.050	1084
—	0.80 to 0.93	0.70 to 1.00	0.040	0.050	1085
1086	0.80 to 0.93	0.30 to 0.50	0.040	0.050	1086
1090	0.85 to 0.98	0.60 to 0.90	0.040	0.050	1090
1095	0.90 to 1.03	0.30 to 0.50	0.040	0.050	1095

\*When silicon is required, the following ranges and limits are commonly used: for nonresulturized steels: up to 1015, 0.10% max; 1015 to 1025, 0.10% max, or 0.10 to 0.20%, or 0.15 to 0.30%, or 0.20 to 0.40%, or 0.30 to 0.60%; over 1025, 0.10 to 0.20%, or 0.15 to 0.30%, or 0.20 to 0.40%, or 0.30 to 0.60%; 1513 to 1524, 0.10% max, or 0.10 to 0.20%, or 0.15 to 0.30%, or 0.20 to 0.40%, or 0.30 to 0.60%; 1525 and over, 0.10 to 0.20%, or 0.15 to 0.30%, or 0.20 to 0.40%, or 0.30 to 0.60%. For resulturized steels: to 1110, 0.10% max; 1116 and over, 0.10% max, or 0.10 to 0.20%, or 0.15 to 0.30%, or 0.20 to 0.40%, or 0.30 to 0.60%. It is not common practice to produce resulturized and rephosphorized steels to specified limits for silicon because of its adverse effect on machinability.

Copper can be added to a standard steel.

Standard killed carbon steels, which are generally fine grain, may be produced with a boron addition to improve hardenability. Such steels can be expected to contain 0.0005% B min. These steels are identified by inserting the letter "B" between the second and third numerals of the AISI number — for example, 10B46.

†0.15 to 0.35% Pb. When lead is required as an added element to a standard steel, a range of 0.15 to 0.35%, inclusive, is generally used. Such a steel is identified by inserting the letter "L" between the second and third numeral of the AISI number.

Sources: American Iron & Steel Institute, New York; SAE Standard J403f.

# Weights of Steel

## THEORETICAL WEIGHTS OF ROUND SQUARE, AND HEXAGON CARBON STEEL BARS

### SQUARE AND ROUND STEEL BARS

#### Weight of Squares

(Size in in.) <sup>2</sup>	X	3.400	Weight, lb/ft
(Size in in.) <sup>2</sup>	X	0.2833	Weight, lb/in.
(Size in in.) <sup>2</sup>	X	0.00784	Weight, kilo/cm

#### Weight of Rounds

(Diam in in.) <sup>2</sup>	X	2.670	Weight, lb/ft
(Diam in in.) <sup>2</sup>	X	0.2225	Weight, lb/in.
(Diam in in.) <sup>2</sup>	X	0.00616	Weight, kilo/cm

Thick-ness or Diameter, Inches	ROUND		SQUARE		HEXAGON	
	Weight Pounds Per Inch	Weight Pounds Per Foot	Weight Pounds Per Inch	Weight Pounds Per Foot	Weight Pounds Per Inch	Weight Pounds Per Foot
1/32	0.0002	0.0026	0.0003	0.0033	0.0002	0.0028
1/16	0.0009	0.0104	0.0011	0.0133	0.0010	0.0115
3/32	0.0020	0.0235	0.0025	0.0299	0.0022	0.0259
1/8	0.0035	0.0417	0.0044	0.0531	0.0038	0.0460
5/32	0.0054	0.0652	0.0069	0.0830	0.0060	0.0719
3/16	0.0078	0.0939	0.0100	0.1195	0.0086	0.1035
7/32	0.0106	0.1278	0.0136	0.1627	0.0117	0.1409
1/4	0.0139	0.1669	0.0177	0.2125	0.0153	0.1840
9/32	0.0176	0.2112	0.0224	0.2689	0.0194	0.2329
5/16	0.0217	0.2608	0.0277	0.3320	0.0240	0.2875
11/32	0.0263	0.3155	0.0335	0.4018	0.0290	0.3479
3/8	0.0313	0.3755	0.0398	0.4781	0.0345	0.4141
13/32	0.0367	0.4407	0.0468	0.5611	0.0405	0.4860
7/16	0.0426	0.5111	0.0542	0.6508	0.0470	0.5636
15/32	0.0489	0.5867	0.0623	0.7471	0.0538	0.6470
1/2	0.0556	0.6676	0.0708	0.8500	0.0613	0.7361
17/32	0.0628	0.7536	0.0800	0.9596	0.0693	0.8310
9/16	0.0704	0.8449	0.0896	1.076	0.0776	0.9317
19/32	0.0785	0.9414	0.0999	1.199	0.0865	1.038
5/8	0.0869	1.043	0.1107	1.328	0.0958	1.150
21/32	0.0958	1.150	0.1220	1.464	0.1057	1.268
11/16	0.1052	1.262	0.1339	1.607	0.1160	1.392
23/32	0.1150	1.380	0.1464	1.756	0.1268	1.521
3/4	0.1252	1.502	0.1594	1.913	0.1380	1.656
25/32	0.1358	1.630	0.1729	2.075	0.1498	1.797
13/16	0.1469	1.763	0.1870	2.245	0.1620	1.944
27/32	0.1584	1.901	0.2017	2.421	0.1747	2.096
7/8	0.1704	2.044	0.2169	2.603	0.1879	2.254
29/32	0.1828	2.193	0.2327	2.792	0.2015	2.418
15/16	0.1956	2.347	0.2490	2.988	0.2157	2.588
31/32	0.2088	2.506	0.2659	3.191	0.2303	2.763
1	0.2225	2.670	0.2833	3.400	0.2454	2.944
1-1/16	0.2512	3.015	0.3199	3.838	0.2770	3.324
1-1/8	0.2816	3.380	0.3586	4.303	0.3106	3.727
1-3/16	0.3138	3.766	0.3995	4.795	0.3460	4.152
1-1/4	0.3477	4.172	0.4427	5.313	0.3834	4.601
1-5/16	0.3833	4.600	0.4881	5.857	0.4227	5.072
1-3/8	0.4207	5.049	0.5357	6.428	0.4639	5.567
1-7/16	0.4598	5.518	0.5855	7.026	0.5070	6.085
1-1/2	0.5007	6.008	0.6375	7.650	0.5521	6.625
1-9/16	0.5433	6.519	0.6917	8.301	0.5991	7.189
1-5/8	0.5876	7.051	0.7482	8.978	0.6479	7.775

Thick-ness or Diameter, Inches	ROUND		SQUARE		HEXAGON	
	Weight Pounds Per Inch	Weight Pounds Per Foot	Weight Pounds Per Inch	Weight Pounds Per Foot	Weight Pounds Per Inch	Weight Pounds Per Foot
1-11/16	0.6337	7.604	0.8068	9.682	0.6988	8.385
1-3/4	0.6815	8.178	0.8677	10.41	0.7515	9.018
1-13/16	0.7310	8.773	0.9308	11.17	0.8060	9.67
1-7/8	0.7823	9.388	0.9961	11.95	0.8626	10.35
1-15/16	0.8354	10.02	1.064	12.76	0.9211	11.05
2	0.8901	10.68	1.133	13.60	0.9815	11.78
2-1/16	0.9466	11.36	1.205	14.46	1.044	12.53
2-1/8	1.005	12.06	1.279	15.35	1.108	13.30
2-3/16	1.065	12.78	1.356	16.27	1.174	14.09
2-1/4	1.127	13.52	1.434	17.21	1.242	14.91
2-5/16	1.190	14.28	1.515	18.18	1.312	15.75
2-3/8	1.255	15.06	1.598	19.18	1.384	16.61
2-7/16	1.322	15.87	1.683	20.20	1.458	17.49
2-1/2	1.391	16.69	1.771	21.25	1.534	18.40
2-5/8	1.533	18.40	1.952	23.43	1.691	20.29
2-3/4	1.683	20.19	2.143	25.71	1.856	22.27
2-7/8	1.839	22.07	2.342	28.10	2.028	24.34
3	2.003	24.03	2.550	30.60	2.208	26.50
3-1/8	2.173	26.08	2.767	33.20	2.396	28.75
3-1/4	2.350	28.21	2.993	35.91	2.592	31.10
3-3/8	2.535	30.42	3.227	38.73	2.795	33.54
3-1/2	2.726	32.71	3.471	41.65	3.006	36.07
3-5/8	2.924	35.09	3.723	44.68	3.224	38.69
3-3/4	3.129	37.55	3.984	47.81	3.451	41.41
3-7/8	3.341	40.10	4.254	51.05	3.684	44.21
4	3.560	42.73	4.533	54.40	3.926	47.11
4-1/8	3.786	45.44	4.821	57.85	4.175	50.10
4-1/4	4.019	48.23	5.118	61.41	4.432	53.18
4-3/8	4.259	51.11	5.423	65.08	4.700	56.36
4-1/2	4.506	54.07	5.738	68.85	4.970	59.63
4-5/8	4.760	57.12	6.061	72.73	5.248	62.98
4-3/4	5.021	60.25	6.393	76.71	5.536	66.44
4-7/8	5.289	63.46	6.734	80.80	5.831	69.98
5	5.563	66.76	7.083	85.00	6.134	73.61
5-1/8	5.845	70.14	7.442	89.30	6.445	77.34
5-1/4	6.133	73.60	7.809	93.71	6.763	81.16
5-3/8	6.429	77.15	8.186	98.23	7.089	85.07
5-1/2	6.732	80.78	8.571	102.85	7.422	89.07
5-5/8	7.041	84.49	8.965	107.58	7.763	93.16
5-3/4	7.357	88.29	9.368	112.41	8.112	97.35
5-7/8	7.681	92.17	9.779	117.35	8.470	101.63
6	8.011	96.13	10.200	122.40	8.833	106.00

**Weights of Flat Steel Bars  
Pounds per Linear Foot**

Thick- ness in.	Width, in.					
	1	2	3	4	5	12
1/32	0.1063	0.213	0.319	0.425	0.531	1.275
1/16	0.2125	0.425	0.638	0.850	1.063	2.550
3/32	0.3188	0.638	0.956	1.275	1.594	3.825
1/8	0.4250	0.850	1.275	1.700	2.125	5.100
5/32	0.5313	1.063	1.594	2.125	2.656	6.375
3/16	0.6375	1.275	1.913	2.550	3.188	7.650
7/32	0.7438	1.488	2.231	2.975	3.719	8.925
1/4	0.8500	1.700	2.550	3.400	4.250	10.200
5/16	1.0625	2.125	3.188	4.250	5.313	12.750
3/8	1.2750	2.550	3.825	5.100	6.375	15.300
7/16	1.4875	2.975	4.463	5.950	7.438	17.850
1/2	1.7000	3.400	5.100	6.800	8.500	20.400
9/16	1.9125	3.825	5.738	7.650	9.563	22.950
5/8	2.1250	4.250	6.375	8.500	10.625	25.500
11/16	2.3375	4.675	7.013	9.350	11.688	28.050
3/4	2.5500	5.100	7.650	10.200	12.750	30.600
13/16	2.7625	5.525	8.288	11.050	13.813	33.150
7/8	2.9750	5.950	8.925	11.900	14.875	35.700
15/16	3.1875	6.375	9.563	12.750	15.938	38.250
1	3.4000	6.800	10.200	13.600	17.000	40.800
1-1/8	3.8250	7.650	11.475	15.300	19.125	45.900
1-1/4	4.2500	8.500	12.750	17.000	21.250	51.000
1-3/8	4.6750	9.350	14.025	18.700	23.375	56.000
1-1/2	5.1000	10.200	15.300	20.400	25.500	61.200
1-5/8	5.5250	11.050	16.575	22.100	27.625	66.300
1-3/4	5.9500	11.900	17.850	23.800	29.750	71.400
1-7/8	6.3750	12.750	19.125	25.500	31.875	76.500
2	6.8000	13.600	20.400	27.200	34.000	81.600

**Manufacturers' Standard Gage For Steel Sheets**

Manufacturers' Standard Gage No.	Ounces per Square Foot	Pounds per Square Inch	Pound per Square Foot	Inch Equivalent for Steel Sheet Thickness
3	160	0.069444	10.0000	0.2391
4	150	0.065104	9.3750	0.2242
5	140	0.060764	8.7500	0.2092
6	130	0.056424	8.1250	0.1943
7	120	0.052083	7.5000	0.1793
8	110	0.047743	6.8750	0.1644
9	100	0.043403	6.2500	0.1495
10	90	0.039062	5.6250	0.1345
11	80	0.034722	5.0000	0.1196
12	70	0.030382	4.3750	0.1046
13	60	0.026042	3.7500	0.0897
14	50	0.021701	3.1250	0.0747
15	45	0.019531	2.8125	0.0673
16	40	0.017361	2.5000	0.0598
17	36	0.015625	2.2500	0.0538
18	32	0.013889	2.0000	0.0478
19	28	0.012153	1.7500	0.0418
20	24	0.010417	1.5000	0.0359
21	22	0.0095486	1.3750	0.0329
22	20	0.0086806	1.2500	0.0299
23	18	0.0078125	1.1250	0.0269
24	16	0.0069444	1.0000	0.0239
25	14	0.0060764	0.87500	0.0209
26	12	0.0052083	0.75000	0.0179
27	11	0.0047743	0.68750	0.0164
28	10	0.0043403	0.62500	0.0149
29	9	0.0039062	0.56250	0.0135
30	8	0.0034722	0.50000	0.0120
31	7	0.0030382	0.43750	0.0105
32	6.5	0.0028212	0.40625	0.0097
33	6	0.0026042	0.37500	0.0090
34	5.5	0.0023872	0.34375	0.0082
35	5	0.0021701	0.31250	0.0075
36	4.5	0.0019531	0.28125	0.0067
37	4.25	0.0018446	0.26562	0.0064
38	4	0.0017361	0.25000	0.0060

Table shows the upper and lower limits for unit weight and thickness for each number of the manufacturers standard gage table. *These ranges are not tolerances.*

Sheets specified to a manufacturer's standard gage number are produced to the inch equivalent for that gage number as shown in the preceding table.

**Weight and Thickness Ranges  
For Manufacturers' Standard Gage Numbers  
For Steel Sheets**

Manufacturers' Standard Gage No.	Weight Range, lb/ft <sup>2</sup>	Thickness Range, in.
3	10.312 to 9.688	0.2465 to 0.2317
4	9.687 to 9.063	0.2316 to 0.2168
5	9.062 to 8.438	0.2167 to 0.2018
6	8.437 to 7.813	0.2017 to 0.1869
7	7.812 to 7.188	0.1868 to 0.1719
8	7.187 to 6.563	0.1718 to 0.1570
9	6.562 to 5.938	0.1569 to 0.1420
10	5.937 to 5.313	0.1419 to 0.1271
11	5.312 to 4.688	0.1270 to 0.1121
12	4.687 to 4.063	0.1120 to 0.0972
13	4.062 to 3.438	0.0971 to 0.0822
14	3.437 to 2.969	0.0821 to 0.0710
15	2.968 to 2.657	0.0709 to 0.0636
16	2.656 to 2.375	0.0635 to 0.0568
17	2.374 to 2.125	0.0567 to 0.0509
18	2.124 to 1.875	0.0508 to 0.0449
19	1.874 to 1.625	0.0448 to 0.0389
20	1.624 to 1.438	0.0388 to 0.0344
21	1.437 to 1.313	0.0343 to 0.0314
22	1.312 to 1.188	0.0313 to 0.0284
23	1.187 to 1.063	0.0283 to 0.0255
24	1.062 to 0.938	0.0254 to 0.0225
25	0.937 to 0.813	0.0224 to 0.0195
26	0.812 to 0.719	0.0194 to 0.0172
27	0.718 to 0.657	0.0171 to 0.0157
28	0.656 to 0.594	0.0156 to 0.0142
29	0.593 to 0.532	0.0141 to 0.0128
30	0.531 to 0.469	0.0127 to 0.0113
31	0.468 to 0.422	0.0112 to 0.0101
32	0.421 to 0.391	0.0100 to 0.0094
33	0.390 to 0.360	0.0093 to 0.0086
34	0.359 to 0.329	0.0085 to 0.0079
35	0.328 to 0.297	0.0078 to 0.0071
36	0.296 to 0.274	0.0070 to 0.0066
37	0.273 to 0.258	0.0065 to 0.0062
38	0.257 to 0.243	0.0061 to 0.0058



## APPROXIMATE THEORETICAL WEIGHTS

### Alloy Steel Sheets

Wt. per Sq. Ft. in Lbs.	Approx. Dec. of Inch	USS Gage
7.0813	.17187	8
6.4375	.15625	9
5.7937	.14062	10
5.1500	.125	11
4.5063	.10937	12
3.8625	.09375	13
3.2187	.07812	14
2.8968	.07031	15
2.5750	.0625	16
2.3175	.05625	17
2.0600	.050	18
1.8025	.04375	19
1.5450	.0375	20
1.4160	.03437	21
1.2875	.03125	22
1.1587	.02812	23
1.0300	.025	24
.9013	.02187	25
.7725	.01875	26
.7081	.01718	27
.6438	.01562	28
.5794	.01406	29
.5150	.0125	30
.4506	.01093	31

### Alloy Steel Strip

No. BWG	Dec. Equiv. in Inches	Wt. per Sq. Ft. Chr. Iron Alloys
7	.180	7.434
8	.165	6.814
9	.148	6.112
10	.134	5.534
11	.120	4.956
12	.109	4.501
13	.095	3.923
14	.083	3.427
15	.072	2.973
16	.065	2.684
17	.058	2.395
18	.049	2.023
19	.042	1.734
20	.035	1.445
21	.032	1.321
22	.028	1.156
23	.025	1.032
24	.022	0.908
25	.020	0.826
26	.018	0.743
27	.016	0.660
28	.014	0.578
29	.013	0.536
30	.012	0.495
31	.010	0.413
32	.009	0.371
33	.008	0.330
34	.007	0.289
35	.005	0.206
36	.004	0.165

### Alloy Steel Plates

No. of Gage	Approx. Dec. Parts of an Inch	Approx. Fractions of an Inch	Approx. Wt. per Sq. Ft. in lbs.
	1.0000	1	40.478
	.9375	$\frac{15}{16}$	37.949
	.8750	$\frac{7}{8}$	35.419
	.8125	$\frac{13}{16}$	32.889
	.7500	$\frac{3}{4}$	30.359
	.6875	$\frac{11}{16}$	27.829
	.6250	$\frac{5}{8}$	25.299
	.5625	$\frac{9}{16}$	22.769
	.5000	$\frac{1}{2}$	20.239
	.46875	$\frac{19}{32}$	18.974
	.4375	$\frac{7}{16}$	17.709
	.40625	$\frac{13}{32}$	16.444
	.3750	$\frac{3}{8}$	15.179
	.34375	$\frac{11}{32}$	13.914
0	.3125	$\frac{5}{16}$	12.650
1	.28125	$\frac{9}{32}$	11.385
2	.26562	$\frac{17}{64}$	10.752
3	.2500	$\frac{1}{4}$	10.120
4	.234375	$\frac{15}{64}$	9.487
5	.21875	$\frac{7}{32}$	8.855
6	.203125	$\frac{13}{64}$	8.222
7	.1875	$\frac{3}{16}$	7.590

# Hardness and Temperature Conversion Tables

## Hardness Conversion Numbers for Steel (ASTM E140)

Diamond Pyramid Hardness Number	Brinell Hardness Number*			Rockwell Hardness Number			Rockwell Superficial Hardness Number			Diamond Pyramid Hardness Number
	10-mm Standard Ball, 3000-kg Load	10-mm Hultgren Ball, 3000-kg Load	10-mm Carbide Ball, 3000-kg Load	C Scale, 150-kg Load, Diamond Cone Penetrator	A Scale, 60-kg Load, Diamond Cone Penetrator	D Scale, 60-kg Load, Diamond Cone Penetrator	15-N Scale, 15-kg Load, Superficial Diamond Cone Penetrator	30-N Scale, 30-kg Load, Superficial Diamond Cone Penetrator	45-N Scale, 45-kg Load, Superficial Diamond Cone Penetrator	
940	..	..	..	68.0	85.6	76.9	93.2	84.4	73.4	940
920	..	..	..	67.5	85.3	76.5	93.0	84.0	74.8	920
900	..	..	..	67.0	85.0	76.1	92.9	83.6	74.2	900
880	..	..	..	66.4	84.7	75.7	92.7	83.1	73.6	880
860	..	..	..	65.9	84.4	75.3	92.5	82.7	73.1	860
840	..	..	<b>745</b>	65.3	84.1	74.8	92.3	82.2	72.2	840
820	..	..	<b>733</b>	64.7	83.8	74.3	92.1	81.7	71.8	820
800	..	..	<b>722</b>	64.0	83.4	73.8	91.8	81.1	71.0	800
780	..	..	<b>710</b>	63.3	83.0	73.3	91.5	80.4	70.2	780
760	..	..	<b>698</b>	62.5	82.6	72.6	91.2	79.7	69.4	760
740	..	..	<b>684</b>	61.8	82.2	72.1	91.0	79.1	68.6	740
720	..	..	<b>670</b>	61.0	81.8	71.5	90.7	78.4	67.7	720
700	..	<b>615</b>	<b>656</b>	60.1	81.3	70.8	90.3	77.6	66.7	700
690	..	<b>610</b>	<b>647</b>	59.7	81.1	70.5	90.1	77.2	66.2	690
680	..	<b>603</b>	<b>638</b>	59.2	80.8	70.1	89.8	76.8	65.7	680
670	..	<b>597</b>	<b>630</b>	58.8	80.6	69.8	89.7	76.4	65.3	670
660	..	<b>590</b>	<b>620</b>	58.3	80.3	69.4	89.5	75.9	64.7	660
650	..	<b>585</b>	<b>611</b>	57.8	80.0	69.0	89.2	75.5	64.1	650
640	..	<b>578</b>	<b>601</b>	57.3	79.8	68.7	89.0	75.1	63.5	640
630	..	<b>571</b>	<b>591</b>	56.8	79.5	68.3	88.8	74.6	63.0	630
620	..	<b>564</b>	<b>582</b>	56.3	79.2	67.9	88.5	74.2	62.4	620
610	..	<b>557</b>	<b>573</b>	55.7	78.9	67.5	88.2	73.6	61.7	610
600	..	<b>550</b>	<b>564</b>	55.2	78.6	67.0	88.0	73.2	61.2	600
590	..	<b>542</b>	<b>554</b>	54.7	78.4	66.7	87.8	72.7	60.5	590
580	..	<b>535</b>	<b>545</b>	54.1	78.0	66.2	87.5	72.1	59.9	580
570	..	<b>527</b>	<b>535</b>	53.6	77.8	65.8	87.2	71.7	59.3	570
560	..	<b>519</b>	<b>525</b>	53.0	77.4	65.4	86.9	71.2	58.6	560
550	<b>505</b>	<b>512</b>	<b>517</b>	52.3	77.0	64.8	86.6	70.5	57.8	550
540	<b>496</b>	<b>503</b>	<b>507</b>	51.7	76.7	64.4	86.3	70.0	57.0	540
530	<b>488</b>	<b>495</b>	<b>497</b>	51.1	76.4	63.9	86.0	69.5	56.2	530
520	<b>480</b>	<b>487</b>	<b>488</b>	50.5	76.1	63.5	85.7	69.0	55.6	520
510	<b>473</b>	<b>479</b>	<b>479</b>	49.8	75.7	62.9	85.4	68.3	54.7	510
500	<b>465</b>	<b>471</b>	<b>471</b>	49.1	75.3	62.2	85.0	67.7	53.9	500
490	<b>456</b>	<b>460</b>	<b>460</b>	48.4	74.9	61.6	84.7	67.1	53.1	490
480	<b>448</b>	<b>452</b>	<b>452</b>	47.7	74.5	61.3	84.3	66.4	52.2	480
470	<b>441</b>	<b>442</b>	<b>442</b>	46.9	74.1	60.7	83.9	65.7	51.3	470
460	<b>433</b>	<b>433</b>	<b>433</b>	46.1	73.6	60.1	83.6	64.9	50.4	460
450	<b>425</b>	<b>425</b>	<b>425</b>	45.3	73.3	59.4	83.2	64.3	49.4	450
440	<b>415</b>	<b>415</b>	<b>415</b>	44.5	72.8	58.8	82.8	63.5	48.4	440
430	<b>405</b>	<b>405</b>	<b>405</b>	43.6	72.3	58.2	82.3	62.7	47.4	430
420	<b>397</b>	<b>397</b>	<b>397</b>	42.7	71.8	57.5	81.8	61.9	46.4	420
410	<b>388</b>	<b>388</b>	<b>388</b>	41.8	71.4	56.8	81.4	61.1	45.3	410
400	<b>379</b>	<b>379</b>	<b>379</b>	40.8	70.8	56.0	80.8	60.2	44.4	400
390	<b>369</b>	<b>369</b>	<b>369</b>	39.8	70.3	55.2	80.3	59.3	42.9	390
380	<b>360</b>	<b>360</b>	<b>360</b>	38.8	69.8	54.4	79.8	58.4	41.7	380
370	<b>350</b>	<b>350</b>	<b>350</b>	37.7	69.2	53.6	79.2	57.4	40.4	370
360	<b>341</b>	<b>341</b>	<b>341</b>	36.6	68.7	52.8	78.6	56.4	39.1	360
350	<b>331</b>	<b>331</b>	<b>331</b>	35.5	68.1	51.9	78.0	55.4	37.8	350
340	<b>322</b>	<b>322</b>	<b>322</b>	34.4	67.6	51.1	77.4	54.4	36.5	340
330	<b>313</b>	<b>313</b>	<b>313</b>	33.3	67.0	50.2	76.8	53.6	35.2	330
320	<b>303</b>	<b>303</b>	<b>303</b>	32.2	66.4	49.4	76.2	52.3	33.9	320
310	<b>294</b>	<b>294</b>	<b>294</b>	31.0	65.8	48.4	75.6	51.3	32.5	310
300	<b>284</b>	<b>284</b>	<b>284</b>	29.8	65.2	47.5	74.9	50.2	31.1	300
295	<b>280</b>	<b>280</b>	<b>280</b>	29.2	64.8	47.1	74.6	49.7	30.4	295
290	<b>275</b>	<b>275</b>	<b>275</b>	28.5	64.5	46.5	74.2	49.0	29.5	290
285	<b>270</b>	<b>270</b>	<b>270</b>	27.8	64.2	46.0	73.8	48.4	28.7	285
280	<b>265</b>	<b>265</b>	<b>265</b>	27.1	63.8	45.3	73.4	47.8	27.9	280
275	<b>261</b>	<b>261</b>	<b>261</b>	26.4	63.5	44.9	73.0	47.2	27.1	275
270	<b>256</b>	<b>256</b>	<b>256</b>	25.6	63.1	44.3	72.6	46.4	26.2	270
265	<b>252</b>	<b>252</b>	<b>252</b>	24.8	62.7	43.7	72.1	45.7	25.2	265
260	<b>247</b>	<b>247</b>	<b>247</b>	24.0	62.4	43.1	71.6	45.0	24.3	260
255	<b>243</b>	<b>243</b>	<b>243</b>	23.1	62.0	42.2	71.1	44.2	23.2	255
250	<b>238</b>	<b>238</b>	<b>238</b>	22.2	61.6	41.7	70.6	43.4	22.2	250
245	<b>233</b>	<b>233</b>	<b>233</b>	21.3	61.2	41.1	70.1	42.5	21.1	245
240	<b>228</b>	<b>228</b>	<b>228</b>	20.3	60.7	40.3	69.6	41.7	19.9	240

\*The Brinell hardness numbers in boldface type are outside the range recommended for Brinell hardness testing in Section 5(c) of the Method of Test for Brinell Hardness of Metallic Materials (ASTM E10).

Hardness Conversion Numbers for Steel (ASTM E140)

Rockwell C Hardness Number	Diamond Pyramid Hardness Number	Brinell Hardness Number*			Rockwell Hardness Number		Rockwell Superficial Hardness Number			Rockwell C Hardness Number
		10-mm Standard Ball, 3000-kg Load	10-mm Hultgren Ball, 3000-kg Load	10-mm Carbide Ball, 3000-kg Load	A Scale, 60-kg Load, Diamond Cone Penetrator	D Scale, 100-kg Load, Diamond Cone Penetrator	15-N Scale, 15-kg Load, Superficial Diamond Cone Penetrator	30-N Scale, 30-kg Load, Superficial Diamond Cone Penetrator	45-N Scale, 45-kg Load, Superficial Diamond Cone Penetrator	
68	940	..	..	..	85.6	76.9	93.2	84.4	75.4	68
67	900	..	..	..	85.0	76.1	92.9	83.6	74.2	67
66	865	..	..	..	84.5	75.4	92.5	82.8	73.3	66
65	832	..	..	739	83.9	74.5	92.2	81.9	72.0	65
64	800	..	..	722	83.4	73.8	91.8	81.1	71.0	64
63	772	..	..	705	82.8	73.0	91.4	80.1	69.9	63
62	746	..	..	688	82.3	72.2	91.1	79.3	68.8	62
61	720	..	..	670	81.8	71.5	90.7	78.4	67.7	61
60	697	..	613	654	81.2	70.7	90.2	77.5	66.6	60
59	674	..	599	634	80.7	69.9	89.8	76.6	65.5	59
58	653	..	587	615	80.1	69.2	89.3	75.7	64.3	58
57	633	..	575	595	79.6	68.5	88.9	74.8	63.2	57
56	613	..	561	577	79.0	67.7	88.3	73.9	62.0	56
55	595	..	546	560	78.5	66.9	87.9	73.0	60.9	55
54	577	..	534	543	78.0	66.1	87.4	72.0	59.8	54
53	560	..	519	525	77.4	65.4	86.9	71.2	58.6	53
52	544	500	500	512	76.8	64.6	86.4	70.2	57.4	52
51	528	487	494	496	76.3	63.8	85.9	69.4	56.1	51
50	513	475	481	481	75.9	63.1	85.5	68.5	55.0	50
49	498	464	469	469	75.2	62.1	85.0	67.6	53.8	49
48	484	451	455	455	74.7	61.4	84.5	66.7	52.5	48
47	471	442	443	443	74.1	60.8	83.9	65.8	51.4	47
46	458	432	432	432	73.6	60.0	83.5	64.8	50.3	46
45	446	421	421	421	73.1	59.2	83.0	64.0	49.0	45
44	434	409	409	409	72.5	58.5	82.5	63.1	47.8	44
43	423	400	400	400	72.0	57.7	82.0	62.2	46.7	43
42	412	390	390	390	71.5	56.9	81.5	61.3	45.5	42
41	402	381	381	381	70.9	56.2	80.9	60.4	44.3	41
40	392	371	371	371	70.4	55.4	80.4	59.5	43.1	40
39	382	362	362	362	69.9	54.6	79.9	58.6	41.9	39
38	372	353	353	353	69.4	53.8	79.4	57.7	40.8	38
37	363	344	344	344	68.9	53.1	78.8	56.8	39.6	37
36	354	336	336	336	68.4	52.3	78.3	55.9	38.4	36
35	345	327	327	327	67.9	51.5	77.7	55.0	37.2	35
34	336	319	319	319	67.4	50.8	77.2	54.2	36.1	34
33	327	311	311	311	66.8	50.0	76.6	53.3	34.9	33
32	318	301	301	301	66.3	49.2	76.1	52.1	33.7	32
31	310	294	294	294	65.8	48.4	75.6	51.3	32.5	31
30	302	286	286	286	65.3	47.7	75.0	50.4	31.3	30
29	294	279	279	279	64.7	47.0	74.5	49.5	30.1	29
28	286	271	271	271	64.3	46.1	73.9	48.6	28.9	28
27	279	264	264	264	63.8	45.2	73.3	47.7	27.8	27
26	272	258	258	258	63.3	44.6	72.8	46.8	26.7	26
25	266	253	253	253	62.8	43.8	72.2	45.9	25.5	25
24	260	247	247	247	62.4	43.1	71.6	45.0	24.3	24
23	254	243	243	243	62.0	42.1	71.0	44.0	23.1	23
22	248	237	237	237	61.5	41.6	70.5	43.2	22.0	22
21	243	231	231	231	61.0	40.9	69.9	42.3	20.7	21
20	238	226	226	226	60.5	40.1	69.4	41.5	19.6	20

\*The Brinell hardness numbers in boldface type are outside the range recommended for Brinell hardness testing in Section 5(c) of the Method of Test for Brinell Hardness of Metallic Materials (ASTM Designation: E10).

Hardness Conversion Numbers for Steel (ASTM E140)

Brinell Indentation, Diameter, mm	Brinell Hardness Number <sup>a</sup>			Diamond Pyramid Hardness Number	Rockwell Hardness Number			Rockwell Superficial Hardness Number			Brinell Indentation, Diameter, mm	
	10-mm Standard Ball, 3000-kg Load	10-mm Hultgren Ball, 3000-kg Load <sup>a</sup>	10-mm Carbide Ball, 3000-kg Load		C Scale, 150-kg Load, Diamond Cone Penetrator	A Scale, 60-kg Load, Diamond Cone Penetrator	D Scale, 100-kg Load, Diamond Cone Penetrator	15-N Scale, 15-kg Load, Superficial Diamond Cone Penetrator	30-N Scale, 30-kg Load, Superficial Diamond Cone Penetrator	45-N Scale, 45-kg Load, Superficial Diamond Cone Penetrator		
								91.0	79.0	68.5		
2.35	..	..	682	737	61.7	82.2	72.0	91.0	79.0	68.5	2.35	
2.40	..	..	653	697	60.0	81.2	70.7	90.2	77.5	66.5	2.40	
2.45	..	..	627	667	58.7	80.5	69.7	89.6	76.3	65.1	2.45	
2.50	..	601	..	677	59.1	80.7	70.0	89.8	76.8	65.7	2.50	
	..	..	601	640	57.3	79.8	68.7	89.0	75.1	63.5		
2.55	..	578	..	640	57.3	79.8	68.7	89.0	75.1	63.5	2.55	
	..	..	578	615	56.0	79.1	67.7	88.4	73.9	62.1		
2.60	..	555	..	607	55.6	78.8	67.4	88.1	73.5	61.6	2.60	
	..	..	555	591	54.7	78.4	66.7	87.8	72.7	60.6		
2.65	..	534	..	579	54.0	78.0	66.1	87.5	72.0	59.8	2.65	
	..	..	534	569	53.5	77.8	65.8	87.2	71.6	59.2		
2.70	..	514	..	553	52.5	77.1	65.0	86.7	70.7	58.0	2.70	
	..	..	514	547	52.1	76.9	64.7	86.5	70.3	57.6		
2.75	495	..	..	539	51.6	76.7	64.3	86.3	69.9	56.9	2.75	
	..	495	..	530	51.1	76.4	63.9	86.0	69.5	56.2		
	..	..	495	528	51.0	76.3	63.8	85.9	69.4	56.1		
2.80	477	..	..	516	50.3	75.9	63.2	85.6	68.7	55.2	2.80	
	..	477	..	508	49.6	75.6	62.7	85.3	68.2	54.5		
2.85	..	..	..	508	49.6	75.6	62.7	85.3	68.2	54.5	2.85	
	461	..	..	495	48.8	75.1	61.9	84.9	67.4	53.5		
	..	461	..	491	48.5	74.9	61.7	84.7	67.2	53.2		
2.90	..	..	..	474	47.2	74.3	61.0	84.1	66.0	51.7	2.90	
	..	444	..	472	47.1	74.2	60.8	84.0	65.8	51.5		
	..	..	444	472	47.1	74.2	60.8	84.0	65.8	51.5		
2.95	429	429	429	455	45.7	73.4	59.7	83.4	64.6	49.9	2.95	
3.00	415	415	415	440	44.5	72.8	58.8	82.8	63.5	48.4	3.00	
3.05	401	401	401	425	43.1	72.0	57.8	82.0	62.3	46.9	3.05	
3.10	388	388	388	410	41.8	71.4	56.8	81.4	61.1	45.3	3.10	
3.15	375	375	375	396	40.4	70.6	55.7	80.6	59.9	43.6	3.15	
3.20	363	363	363	383	39.1	70.0	54.6	80.0	58.7	42.0	3.20	
3.25	352	352	352	372	37.9	69.3	53.8	79.3	57.6	40.5	3.25	
3.30	341	341	341	360	36.6	68.7	52.8	78.6	56.4	39.1	3.30	
3.35	331	331	331	350	35.5	68.1	51.9	78.0	55.4	37.8	3.35	
3.40	321	321	321	339	34.3	67.5	51.0	77.3	54.3	36.4	3.40	
3.45	311	311	311	328	33.1	66.9	50.0	76.7	53.3	34.4	3.45	
3.50	302	302	302	319	32.1	66.3	49.3	76.1	52.2	33.8	3.50	
3.55	293	293	293	309	30.9	65.7	48.3	75.5	51.2	32.4	3.55	
3.60	285	285	285	301	29.9	65.3	47.6	75.0	50.3	31.2	3.60	
3.65	277	277	277	292	28.8	64.6	46.7	74.4	49.3	29.9	3.65	
3.70	269	269	269	284	27.6	64.1	45.9	73.7	48.3	28.5	3.70	
3.75	262	262	262	276	26.6	63.6	45.0	73.1	47.3	27.3	3.75	
3.80	255	255	255	269	25.4	63.0	44.2	72.5	46.2	26.0	3.80	
3.85	248	248	248	261	24.2	62.5	43.2	71.7	45.1	24.5	3.85	
3.90	241	241	241	253	22.8	61.8	42.0	70.9	43.9	22.8	3.90	
3.95	235	235	235	247	21.7	61.4	41.4	70.3	42.9	21.5	3.95	
4.00	229	229	229	241	20.5	60.8	40.5	69.7	41.9	20.1	4.00	

\*The Brinell hardness numbers in boldface type are outside the range recommended for Brinell hardness testing in Section 5(c) of the Method of Test for Brinell Hardness of Metallic Materials (ASTM Designation: E10).

<sup>a</sup> Brinell hardness values are given for the Hultgren ball to 601 Brinell hardness; however, flattening of the ball at the higher hardnesses gives lower Brinell hardness values than obtained with the carbide ball. For example, material having a DPH value of 667 has a carbide ball Brinell hardness of 627, while material having a DPH value of 667 has a Hultgren ball Brinell hardness of only 601.

Hardness Conversion Numbers for  
Nickel and High Nickel Alloys (ASTM E 140)

Diamond Pyramid Hardness Number, DPH	Brinell Hardness Number, BHN	Rockwell Hardness Number								Rockwell Superficial Hardness Number					
		A Scale	B Scale	C Scale	D Scale	E Scale	F Scale	G Scale	K Scale	15-N Scale	30-N Scale	45-N Scale	15-T Scale	30-T Scale	45-T Scale
										15-kg Load, Superficial Diamond Cone Penetrator	30-kg Load, Superficial Diamond Cone Penetrator	45-kg Load, Superficial Diamond Cone Penetrator	15-kg Load, $\frac{1}{16}$ -in. Ball	30-kg Load, $\frac{1}{16}$ -in. Ball	45-kg Load, $\frac{1}{16}$ -in. Ball
Diamond Pyramid Penetrator 1, 5, 10, 30-kg Load	10-mm Standard Ball, 3000-kg Load <sup>a</sup>	60-kg Load, Diamond Cone Penetrator	100-kg Load, $\frac{1}{16}$ -in. Ball	150-kg Load, Diamond Cone Penetrator	100-kg Load, Diamond Cone Penetrator	100-kg Load, $\frac{1}{16}$ -in. Ball	60-kg Load, $\frac{1}{16}$ -in. Ball	150-kg Load, $\frac{1}{16}$ -in. Ball	150-kg Load, $\frac{1}{16}$ -in. Ball	15-kg Load, Superficial Diamond Cone Penetrator	30-kg Load, Superficial Diamond Cone Penetrator	45-kg Load, Superficial Diamond Cone Penetrator	15-kg Load, $\frac{1}{16}$ -in. Ball	30-kg Load, $\frac{1}{16}$ -in. Ball	45-kg Load, $\frac{1}{16}$ -in. Ball
513	479	75.5	..	50.0	63.0	..	..	..	..	85.5	68.0	54.5	..	..	..
481	450	74.5	..	48.0	61.5	..	..	..	..	84.5	66.5	52.5	..	..	..
452	425	73.5	..	46.0	60.0	..	..	..	..	83.5	64.5	50.0	..	..	..
427	403	72.5	..	44.0	58.5	..	..	..	..	82.5	63.0	47.5	..	..	..
404	382	71.5	..	42.0	57.0	..	..	..	..	81.5	61.0	45.5	..	..	..
382	363	70.5	..	40.0	55.5	..	..	..	..	80.5	59.5	43.0	..	..	..
362	346	69.5	..	38.0	54.0	..	..	..	..	79.5	58.0	41.0	..	..	..
344	329	68.5	..	36.0	52.5	..	..	..	..	78.5	56.0	38.5	..	..	..
326	313	67.5	..	34.0	50.5	..	..	..	..	77.5	54.5	36.0	..	..	..
309	298	66.5	106	32.0	49.5	..	116.5	94.0	..	76.5	52.5	34.0	94.5	85.5	77.0
285	275	64.5	104	28.5	46.5	..	115.5	91.0	..	75.0	49.5	30.0	94.0	84.5	75.0
266	258	63.0	102	25.5	44.5	..	114.5	87.5	..	73.5	47.0	26.5	93.0	83.0	73.0
248	241	61.5	100	22.5	42.0	..	113.0	84.5	..	72.0	44.5	23.0	92.5	81.5	71.0
234	228	60.5	98	20.0	40.0	..	112.0	81.5	..	70.5	42.0	20.0	92.0	80.5	69.0
220	215	59.0	96	17.0	38.0	..	111.0	78.5	100.0	69.0	39.5	17.0	91.0	79.0	67.0
209	204	57.5	94	14.5	36.0	..	110.0	75.5	98.0	68.0	37.5	14.0	90.5	77.5	65.0
198	194	56.5	92	12.0	34.0	..	108.5	72.0	96.5	66.5	35.5	11.0	89.5	76.0	63.0
188	184	55.0	90	9.0	32.0	108.5	107.5	69.0	94.5	65.0	32.5	7.5	89.0	75.0	61.0
179	176	53.5	88	6.5	30.0	107.0	106.5	65.5	93.0	64.0	30.5	5.0	88.0	73.5	59.5
171	168	52.5	86	4.0	28.0	106.0	105.0	62.5	91.0	62.5	28.5	2.0	87.5	72.0	57.5
164	161	51.5	84	2.0	26.5	104.5	104.0	59.5	89.0	61.5	26.5	-0.5	87.0	70.5	55.5
157	155	50.0	82	..	24.5	103.0	103.0	56.5	87.5	..	..	..	86.0	69.5	53.5
151	149	49.0	80	..	22.5	102.0	101.5	53.0	85.5	..	..	..	85.5	68.0	51.5
145	144	47.5	78	..	21.0	100.5	100.5	50.0	83.5	..	..	..	84.5	66.5	49.5
140	139	46.5	76	..	19.0	99.5	99.5	47.0	82.0	..	..	..	84.0	65.5	47.5
135	134	45.5	74	..	17.5	98.0	98.5	43.5	80.0	..	..	..	83.0	64.0	45.5
130	129	44.0	72	..	16.0	97.0	97.0	40.5	78.0	..	..	..	82.5	62.5	43.5
126	125	43.0	70	..	14.5	95.5	96.0	37.5	76.5	..	..	..	82.0	61.0	41.5
122	121	42.0	68	..	13.0	94.5	95.0	34.5	74.5	..	..	..	81.0	60.0	39.5
119	118	41.0	66	..	11.5	93.0	93.5	31.0	72.5	..	..	..	80.5	58.5	37.5
115	114	40.0	64	..	10.0	91.5	92.5	..	71.0	..	..	..	79.5	57.0	35.5
112	111	39.0	62	..	8.0	90.5	91.5	..	69.0	..	..	..	79.0	56.0	33.5
108	108	..	60	..	..	89.0	90.0	..	67.5	..	..	..	78.5	54.5	31.5
106	106	..	58	..	..	88.0	89.0	..	65.5	..	..	..	77.5	53.0	29.5
103	103	..	56	..	..	86.5	88.0	..	63.5	..	..	..	77.0	51.5	27.5
100	100	..	54	..	..	85.5	87.0	..	62.0	..	..	..	76.0	50.5	25.5
98	98	..	52	..	..	84.0	85.5	..	60.0	..	..	..	75.5	49.0	23.5
95	95	..	50	..	..	83.0	84.5	..	58.0	..	..	..	74.5	47.5	21.5
93	93	..	48	..	..	81.5	83.5	..	56.5	..	..	..	74.0	46.5	19.5
91	91	..	46	..	..	80.5	82.0	..	54.5	..	..	..	73.5	45.0	17.0
89	89	..	44	..	..	79.0	81.0	..	52.5	..	..	..	72.5	43.5	14.5
87	87	..	42	..	..	78.0	80.0	..	51.0	..	..	..	72.0	42.0	12.5
85	85	..	40	..	..	76.5	79.0	..	49.0	..	..	..	71.0	41.0	10.0
83	83	..	38	..	..	75.0	77.5	..	47.0	..	..	..	70.5	39.5	7.5
81	81	..	36	..	..	74.0	76.5	..	45.5	..	..	..	70.0	38.0	5.5
79	79	..	34	..	..	72.5	75.5	..	43.5	..	..	..	69.0	36.5	3.0
78	78	..	32	..	..	71.5	74.0	..	42.0	..	..	..	68.5	35.5	1.0
77	77	..	30	..	..	70.0	73.0	..	40.0	..	..	..	67.5	34.0	-1.5

Note — The use of hardness scales for hardness values shown above in boldface type are not recommended since they are beyond the ranges recommended for accuracy. Such values are shown for comparative purposes only, where comparisons may be desired and the recommended machine and scale are not available.

<sup>a</sup>Note that in Section 5(a) of the Method of Test for Brinell Hardness of Metallic Materials (ASTM Designation: E10), the use of a 3000-kg load is recommended (but not mandatory) for material in the hardness range 96 to 600 BHN, and a 1500-kg load is recommended (but not mandatory) for material in the hardness range 48 to 300 BHN. These recommendations are designed to limit impression diameters to the range 2.50 to 6.0 mm. The Brinell hardness numbers in this conversion table are based on tests using a 3000-kg load. When the 1500-kg load is used for the softer nickel and high-nickel alloys these conversion relationships do not apply.

**Hardness Conversion Numbers for Cartridge Brass (70 Percent Copper, 30 Percent Zinc Alloy). ASTM E140**

Dia- mond Pyr- amid Hard- ness Number	Rockwell Hardness Number		Rockwell Superficial Hardness Number			Brinell Hard- ness Number	Dia- mond Pyr- amid Hard- ness Number	Rockwell Hardness Number		Rockwell Superficial Hardness Number			Brinell Hard- ness Number
	B Scale, 100-kg Load, 1/16-in. Ball	F Scale, 60-kg Load, 1/16-in. Ball	15-T Scale, 15-kg Load, 1/16-in. Ball	30-T Scale, 30-kg Load, 1/16-in. Ball	45-T Scale, 45-kg Load, 1/16-in. Ball			500-kg Load, 10-mm Ball	B Scale, 100-kg Load, 1/16-in. Ball	F Scale, 60-kg Load, 1/16-in. Ball	15-T Scale, 15 kg Load, 1/16-in. Ball	30-T Scale, 30-kg Load, 1/16-in. Ball	
45	..	40.0	..	..	..	42	120	67.0	95.5	..	61.0	41.0	106
46	..	43.0	..	..	..	43	122	68.0	96.0	83.0	62.0	42.0	108
47	..	45.0	..	..	..	44	124	69.0	96.5	..	62.5	43.0	110
48	..	47.0	53.5	..	..	45	126	70.0	97.0	83.5	63.0	44.0	112
49	..	49.0	54.5	..	..	46	128	71.0	97.5	..	63.5	45.0	113
50	..	50.5	55.5	..	..	47	130	72.0	98.0	84.0	64.5	45.5	114
52	..	53.5	57.0	..	..	48	132	73.0	98.5	84.5	65.0	46.5	116
54	..	56.5	58.5	12.0	..	50	134	73.5	99.0	..	65.5	47.5	118
56	..	58.8	60.0	15.0	..	52	136	74.5	99.5	85.0	66.0	48.0	120
58	..	61.0	61.0	18.0	..	53	138	75.0	100.0	..	66.5	49.0	121
60	10.0	63.0	62.5	20.5	..	55	140	76.0	100.5	85.5	67.0	50.0	122
62	12.5	65.0	63.5	23.0	..	57	142	77.0	101.0	..	67.5	51.0	124
64	15.5	66.8	65.0	25.5	..	59	144	77.5	101.5	86.0	68.0	51.5	126
66	18.5	68.5	66.0	28.0	..	61	146	78.0	102.0	..	68.5	52.5	128
68	21.5	70.0	67.0	30.0	..	62	148	79.0	102.5	..	69.0	53.0	129
70	24.5	71.8	68.0	32.0	..	63	150	80.0	..	86.5	69.5	53.5	131
72	27.5	73.2	69.0	34.0	..	64	152	80.5	103.0	..	..	54.0	133
74	30.0	74.8	70.0	36.0	1.0	66	154	81.5	103.5	..	70.0	54.5	135
76	32.5	76.0	70.5	38.0	4.5	68	156	82.0	104.0	87.0	70.5	55.5	136
78	35.0	77.4	71.5	39.5	7.5	70	158	83.0	104.5	..	71.0	56.0	138
80	37.5	78.6	72.0	41.0	10.0	72	160	83.5	..	..	71.5	56.5	139
82	40.0	80.0	73.0	43.0	12.5	74	162	84.0	105.0	87.5	..	57.5	141
84	42.0	81.2	73.5	44.0	14.5	76	164	85.0	105.5	..	72.0	58.0	142
86	44.0	82.3	74.5	45.5	17.0	77	166	85.5	..	..	72.5	58.5	144
88	46.0	83.5	75.0	47.0	19.0	79	168	86.0	106.0	88.0	73.0	59.0	146
90	47.5	84.4	75.5	48.0	21.0	80	170	87.0	..	..	..	59.5	147
92	49.5	85.4	76.5	49.0	23.0	82	172	87.5	106.5	..	73.5	60.0	149
94	51.0	86.3	77.0	50.5	24.5	83	174	88.0	..	88.5	74.0	60.5	150
96	53.0	87.2	77.5	51.5	26.5	85	176	88.5	107.0	..	..	61.0	152
98	54.0	88.0	78.0	52.5	28.0	86	178	89.0	..	..	74.5	61.5	154
100	56.0	89.0	78.5	53.5	29.5	88	180	90.0	107.5	..	75.0	62.0	156
102	57.0	89.8	79.0	54.5	30.5	90	182	90.5	108.0	89.0	..	62.5	157
104	58.0	90.5	79.5	55.0	32.0	92	184	91.0	..	..	75.5	63.0	159
106	59.5	91.2	80.0	56.0	33.0	94	186	91.5	108.5	..	76.0	63.5	161
108	61.0	92.0	..	57.0	34.5	95	188	92.0	..	89.5	..	64.0	162
110	62.0	92.6	80.5	58.0	35.5	97	190	92.5	109.0	..	76.5	64.5	164
112	63.0	93.0	81.0	58.5	37.0	99	192	93.0	..	..	77.0	65.0	166
114	64.0	94.0	81.5	59.5	38.0	101	194	..	109.5	..	..	65.5	167
116	65.0	94.5	82.0	60.0	39.0	103	196	93.5	110.0	90.0	77.5	66.0	169
118	66.0	95.0	82.5	60.5	40.0	105	..	..	..	..	..	..	..

**Approximate Tensile Strength Estimated from Hardness Numbers**

Brinell Hardness 3000 KG 10 mm St'd.	Rockwell B Scale	Rockwell C Scale	Wrought Steel Tensile Strength 1000 psi	Steel Weld Metal Tensile Strength 1000 psi
270	..	27.8	134	124
265	(103.5)	27.1	131	..
261	..	26.4	129	121
256	(102.0)	25.6	126	..
252	..	24.8	124	115
247	(101.0)	24.0	121	113
243	..	23.1	119	..
238	99.5	22.2	116	108
233	..	21.3	114	..
228	98.1	20.3	111	104
219	96.7	(18.0)	106	99
209	95.0	(15.7)	101	..
200	93.4	(13.4)	97	89
190	91.5	(11.0)	92	..
181	89.5	( 8.5)	88	80
171	87.1	( 6.0)	84	76
162	85.0	( 3.0)	79	..
152	81.7	0	75	71
143	78.7	..	71	..
133	75.0	..	66	68
124	71.2	..	62	..
114	66.7	..	57	..

Temperature Conversion Tables

-459.4 TO 0		0 TO 100				100 TO 1000				1000 TO 2000				2000 TO 3000											
C	F	C	F	C	F	C	F	C	F	C	F	C	F	C	F	C	F								
-273	-459.4	-17.7	0	32	9.9	50	122.0	38	100	212	260	500	932	538	1000	1832	815	1500	2732	1093	2000	3632	1371	2500	4532
-268	-450	-17.2	1	33.8	10.4	51	123.8	43	110	230	265	510	950	543	1010	1850	820	1510	2750	1098	2010	3650	1376	2510	4550
-262	-440	-16.6	2	35.6	11.1	52	125.6	49	120	248	271	520	968	549	1020	1868	827	1520	2768	1104	2020	3668	1382	2520	4568
-257	-430	-16.1	3	37.4	11.5	53	127.4	54	130	266	276	530	986	554	1030	1886	831	1530	2786	1109	2030	3686	1387	2530	4586
-251	-420	-15.5	4	39.2	12.1	54	129.2	60	140	284	282	540	1004	560	1040	1904	838	1540	2804	1115	2040	3704	1393	2540	4604
-246	-410	-15.0	5	41.0	12.6	55	131.0	65	150	302	288	550	1022	565	1050	1922	842	1550	2822	1120	2050	3722	1398	2550	4622
-240	-400	-14.4	6	42.8	13.2	56	132.8	71	160	320	293	560	1040	571	1060	1940	849	1560	2840	1126	2060	3740	1404	2560	4640
-234	-390	-13.9	7	44.6	13.7	57	134.6	76	170	338	299	570	1058	576	1070	1958	853	1570	2858	1131	2070	3758	1409	2570	4658
-229	-380	-13.3	8	46.4	14.3	48	136.4	83	180	356	304	580	1076	582	1080	1976	860	1580	2876	1137	2080	3776	1415	2580	4676
-223	-370	-12.7	9	48.2	14.8	59	138.2	88	190	374	310	590	1094	587	1090	1994	864	1590	2894	1142	2090	3794	1420	2590	4694
-218	-360	-12.2	10	50.0	15.6	60	140.0	93	200	392	315	600	1112	593	1100	2012	871	1600	2912	1149	2100	3812	1427	2600	4712
-212	-350	-11.6	11	51.8	16.1	61	141.8	99	210	410	321	610	1130	598	1110	2030	876	1610	2930	1154	2110	3830	1432	2610	4730
-207	-340	-11.1	12	53.6	16.6	62	143.6	100	212	413	326	620	1148	604	1120	2048	882	1620	2948	1160	2120	3848	1438	2620	4748
-201	-330	-10.5	13	55.4	17.1	63	145.4	104	220	428	332	630	1166	609	1130	2066	887	1630	2966	1165	2130	3866	1443	2630	4766
-196	-320	-10.0	14	57.2	17.7	64	147.2	110	230	446	338	640	1184	615	1140	2084	893	1640	2984	1171	2140	3884	1449	2640	4784
-190	-310	-9.4	15	59.0	18.2	65	149.0	115	240	464	343	650	1202	620	1150	2102	898	1650	3002	1176	2150	3902	1454	2650	4802
-184	-300	-8.8	16	60.8	18.8	66	150.8	121	250	482	349	660	1220	626	1160	2120	904	1660	3020	1182	2160	3920	1460	2660	4820
-179	-290	-8.3	17	62.6	19.3	67	152.6	127	260	500	354	670	1238	631	1170	2138	909	1670	3038	1187	2170	3938	1465	2670	4838
-173	-280	-7.7	18	64.4	19.9	68	154.4	132	270	518	360	680	1256	637	1180	2156	915	1680	3056	1193	2180	3956	1471	2680	4856
-169	-273	-7.2	19	66.2	20.4	69	156.2	138	280	536	365	690	1274	642	1190	2174	920	1690	3074	1198	2190	3974	1476	2690	4874
-168	-270	-6.6	20	68.0	21.0	70	158.0	143	290	554	371	700	1292	648	1200	2192	926	1700	3092	1204	2200	3992	1483	2700	4892
-162	-260	-6.1	21	69.8	21.5	71	159.8	149	300	572	376	710	1310	653	1210	2210	931	1710	3110	1209	2210	4010	1488	2710	4910
-157	-250	-5.5	22	71.6	22.2	72	161.6	154	310	590	382	720	1328	659	1220	2228	937	1720	3128	1215	2220	4028	1494	2720	4928
-151	-240	-5.0	23	73.4	22.7	73	163.4	160	320	608	387	730	1346	664	1230	2246	942	1730	3146	1220	2230	4046	1499	2730	4946
-146	-230	-4.4	24	75.2	23.3	74	165.2	165	330	626	393	740	1364	670	1240	2264	948	1740	3164	1226	2240	4064	1505	2740	4964
-140	-220	-3.9	25	77.0	23.8	75	167.0	171	340	644	399	750	1382	675	1250	2282	953	1750	3182	1231	2250	4082	1510	2750	4982
-134	-210	-3.3	26	78.8	24.4	76	168.8	177	350	662	404	760	1400	681	1260	2300	959	1760	3200	1237	2260	4100	1516	2760	5000
-129	-200	-2.8	27	80.6	25.0	77	170.6	182	360	680	410	770	1418	686	1270	2318	964	1770	3218	1242	2270	4118	1521	2770	5018
-123	-190	-2.2	28	82.4	25.5	78	172.4	188	370	698	415	780	1436	692	1280	2336	970	1780	3236	1248	2280	4136	1527	2780	5036
-118	-180	-1.6	29	84.2	26.2	79	174.2	193	380	716	421	790	1454	697	1290	2354	975	1790	3254	1253	2290	4154	1532	2790	5054
-112	-170	-1.1	30	86.0	26.8	80	176.0	199	390	734	426	800	1472	704	1300	2372	981	1800	3272	1259	2300	4172	1538	2800	5072
-107	-160	-.6	31	87.8	27.3	81	177.8	204	400	752	432	810	1490	708	1310	2390	986	1810	3290	1264	2310	4190	1543	2810	5090
-101	-150	0	32	89.6	27.7	82	179.6	210	410	770	438	820	1508	715	1320	2408	992	1820	3308	1270	2320	4208	1549	2820	5108
-96	-140	.5	33	91.4	28.2	83	181.4	215	420	788	443	830	1526	719	1330	2426	997	1830	3326	1275	2330	4226	1554	2830	5126
-90	-130	1.1	34	93.2	28.8	84	183.2	221	430	806	449	840	1544	726	1340	2444	1003	1840	3344	1281	2340	4244	1560	2840	5144
-84	-120	1.6	35	95.0	29.3	85	185.0	226	440	824	454	850	1562	734	1350	2462	1008	1850	3362	1286	2350	4262	1565	2850	5162
-79	-110	2.2	36	96.8	29.9	86	186.8	232	450	842	460	860	1580	737	1360	2480	1014	1860	3380	1292	2360	4280	1571	2860	5180
-73	-100	2.7	37	98.6	30.4	87	188.6	238	460	860	465	870	1598	741	1370	2498	1019	1870	3398	1297	2370	4298	1576	2870	5198
-68	-90	3.3	38	100.4	31.0	88	190.4	243	470	878	471	880	1616	748	1380	2516	1025	1880	3416	1303	2380	4316	1582	2880	5216
-62	-80	3.8	39	102.2	31.5	89	192.2	249	480	896	476	890	1634	752	1390	2534	1030	1890	3434	1308	2390	4334	1587	2890	5234
-57	-70	4.4	40	104.0	32.1	90	194.0	254	490	914	482	900	1652	760	1400	2552	1036	1900	3452	1315	2400	4352	1593	2900	5252
-51	-60	4.9	41	105.8	32.6	91	195.8	260	500	932	487	910	1670	765	1410	2570	1041	1910	3470	1320	2410	4370	1598	2910	5270
-46	-50	5.5	42	107.6	33.3	92	197.6	266	510	950	493	920	1688	771	1420	2588	1047	1920	3488	1326	2420	4388	1604	2920	5288
-40	-40	6.0	43	109.4	33.8	93	199.4	272	520	968	498	930	1706	776	1430	2606	1052	1930	3506	1331	2430	4406	1609	2930	5306
-34	-30	6.6	44	111.2	34.4	94	201.2	278	530	986	504	940	1724	782	1440	2624	1058	1940	3524	1337	2440	4424	1615	2940	5324
-29	-20	7.1	45	113.0	34.9	95	203.0	284	540	1004	510	950	1742	787	1450	2642	1063	1950	3542	1342	2450	4442	1620	2950	5342
-23	-10	7.7	46	114.8	35.5	96	204.8	290	550	1022	515	960	1760	793	1460	2660	1069	1960	3560	1348	2460	4460	1626	2960	5360
-17.7	0	8.2	47	116.6	36.1	97	206.6																		

No.	Square	Cube	Square Root	Cubic Root	Logarithm	1000 x Reciprocal	No. = Diameter	
							Circum.	Area
1	1	1	1.0000	1.0000	0.00000	1000.000	3.142	0.7854
2	4	8	1.4142	1.2599	0.30103	500.000	6.283	3.1416
3	9	27	1.7321	1.4422	0.47712	333.333	9.425	7.0686
4	16	64	2.0000	1.5874	0.60206	250.000	12.566	12.5664
5	25	125	2.2361	1.7100	0.69897	200.000	15.708	19.6350
6	36	216	2.4495	1.8171	0.77815	166.667	18.850	28.2743
7	49	343	2.6458	1.9120	0.84510	142.857	21.991	38.4845
8	64	512	2.8284	2.0000	0.90309	125.000	25.133	50.2655
9	81	729	3.0000	2.0801	0.95424	111.111	28.274	63.6173
10	100	1000	3.1623	2.1544	1.00000	100.000	31.416	78.5398
11	121	1331	3.3166	2.2240	1.04139	90.9091	34.558	95.0332
12	144	1728	3.4641	2.2894	1.07918	83.3333	37.699	113.097
13	169	2197	3.6056	2.3513	1.11394	76.9231	40.841	132.732
14	196	2744	3.7417	2.4101	1.14613	71.4286	43.982	153.938
15	225	3375	3.8730	2.4662	1.17609	66.6667	47.124	176.715
16	256	4096	4.0000	2.5198	1.20412	62.5000	50.265	201.062
17	289	4913	4.1231	2.5713	1.23045	58.8235	53.407	226.980
18	324	5832	4.2426	2.6207	1.25527	55.5556	56.549	254.469
19	361	6859	4.3589	2.6684	1.27875	52.6316	59.690	283.529
20	400	8000	4.4721	2.7144	1.30103	50.0000	62.832	314.159
21	441	9261	4.5826	2.7589	1.32222	47.6190	65.973	346.361
22	484	10648	4.6904	2.8020	1.34242	45.4545	69.115	380.133
23	529	12167	4.7958	2.8439	1.36173	43.4783	72.257	415.476
24	576	13824	4.8990	2.8845	1.38021	41.6667	75.398	452.389
25	625	15625	5.0000	2.9240	1.39794	40.0000	78.540	490.874
26	676	17576	5.0990	2.9625	1.41497	38.4615	81.681	530.929
27	729	19683	5.1962	3.0000	1.43136	37.0370	84.823	572.555
28	784	21952	5.2915	3.0366	1.44716	35.7143	87.965	615.752
29	841	24389	5.3852	3.0723	1.46240	34.4828	91.106	660.520
30	900	27000	5.4772	3.1072	1.47712	33.3333	94.248	706.858
31	961	29791	5.5678	3.1414	1.49130	32.2581	97.389	754.768
32	1024	32768	5.6569	3.1748	1.50515	31.2500	100.531	804.248
33	1089	35987	5.7446	3.2075	1.51851	30.3030	103.673	855.299
34	1156	39304	5.8310	3.2396	1.53148	29.4118	106.814	907.920
35	1225	42875	5.9161	3.2711	1.54407	28.5714	109.956	962.113
36	1296	46656	6.0000	3.3019	1.55630	27.7778	113.097	1017.88
37	1369	50653	6.0828	3.3322	1.56820	27.0270	116.239	1075.21
38	1444	54872	6.1644	3.3620	1.57978	26.3158	119.381	1134.11
39	1521	59319	6.2450	3.3912	1.59106	25.6410	122.522	1194.59
40	1600	64000	6.3246	3.4200	1.60206	25.0000	125.66	1256.64
41	1681	68921	6.4031	3.4482	1.61278	24.3902	128.81	1320.25
42	1764	74098	6.4807	3.4760	1.62325	23.8095	131.95	1385.44
43	1849	79507	6.5574	3.5034	1.63347	23.2558	135.09	1452.20
44	1936	85184	6.6332	3.5303	1.64345	22.7273	138.23	1520.53
45	2025	91125	6.7082	3.5569	1.65321	22.2222	141.37	1590.43
46	2116	97336	6.7823	3.5830	1.66276	21.7391	144.51	1661.90
47	2209	103823	6.8557	3.6088	1.67210	21.2766	147.65	1734.94
48	2304	110592	6.9282	3.6342	1.68124	20.8333	150.80	1809.56
49	2401	117649	7.0000	3.6593	1.69020	20.4082	153.94	1885.74

From Pocket Companion, Carnegie Steel Company

No.	Square	Cube	Square Root	Cubic Root	Logarithm	1000 x Reciprocal	No. = Diameter	
							Circum.	Area
50	2500	125000	7.0711	3.6840	1.69897	20.0000	157.08	1963.50
51	2601	132651	7.1414	3.7084	1.70757	19.6078	160.22	2042.82
52	2704	140608	7.2111	3.7325	1.71600	19.2308	163.36	2123.72
53	2809	148877	7.2801	3.7563	1.72428	18.8679	166.50	2206.18
54	2916	157464	7.3485	3.7798	1.73239	18.5185	169.65	2290.22
55	3025	166375	7.4162	3.8030	1.74036	18.1818	172.79	2375.83
56	3136	175616	7.4833	3.8259	1.74819	17.8571	175.93	2463.01
57	3249	185193	7.5498	3.8485	1.75587	17.5439	179.07	2551.76
58	3364	195112	7.6158	3.8709	1.76343	17.2414	182.21	2642.08
59	3481	205379	7.6811	3.8930	1.77085	16.9492	185.35	2733.97
60	3600	216000	7.7460	3.9149	1.77815	16.6667	188.50	2827.43
61	3721	226981	7.8102	3.9365	1.78533	16.3934	191.64	2922.47
62	3844	238328	7.8740	3.9579	1.79239	16.1290	194.78	3019.07
63	3969	250047	7.9373	3.9791	1.79934	15.8730	197.92	3117.25
64	4096	262144	8.0000	4.0000	1.80618	15.6250	201.06	3216.99
65	4225	274625	8.0623	4.0207	1.81291	15.3846	204.20	3318.31
66	4356	287496	8.1240	4.0412	1.81954	15.1515	207.35	3421.19
67	4489	300763	8.1854	4.0615	1.82607	14.9254	210.49	3525.65
68	4624	314432	8.2462	4.0817	1.83251	14.7059	213.63	3631.68
69	4761	328509	8.3066	4.1016	1.83885	14.4928	216.77	3739.28
70	4900	343000	8.3666	4.1213	1.84510	14.2857	219.91	3848.45
71	5041	357911	8.4261	4.1408	1.85126	14.0845	223.05	3959.19
72	5184	373248	8.4853	4.1602	1.85733	13.8889	226.19	4071.50
73	5329	389017	8.5440	4.1793	1.86332	13.6986	229.34	4185.39
74	5476	405224	8.6023	4.1983	1.86923	13.5135	232.48	4300.84
75	5625	421875	8.6603	4.2172	1.87506	13.3333	235.62	4417.86
76	5776	438976	8.7178	4.2358	1.88081	13.1579	238.76	4536.46
77	5929	456533	8.7750	4.2543	1.88649	12.9870	241.90	4656.63
78	6084	474552	8.8318	4.2727	1.89209	12.8205	245.04	4778.36
79	6241	493039	8.8882	4.2908	1.89763	12.6582	248.19	4901.67
80	6400	512000	8.9443	4.3089	1.90309	12.5000	251.33	5026.55
81	6561	531441	9.0000	4.3267	1.90849	12.3457	254.47	5153.00
82	6724	551368	9.0554	4.3445	1.91381	12.1951	257.61	5281.02
83	6889	571787	9.1104	4.3621	1.91908	12.0482	260.75	5410.61
84	7056	592704	9.1652	4.3795	1.92428	11.9048	263.89	5541.77
85	7225	614125	9.2195	4.3968	1.92942	11.7647	267.04	5674.50
86	7396	636056	9.2736	4.4140	1.93450	11.6279	270.18	5808.80
87	7569	658503	9.3274	4.4310	1.93952	11.4943	273.32	5944.68
88	7744	681472	9.3808	4.4480	1.94448	11.3636	276.46	6082.12
89	7921	704969	9.4340	4.4647	1.94939	11.2360	279.60	6221.14
90	8100	729000	9.4868	4.4814	1.95424	11.1111	282.74	6361.73
91	8281	753571	9.5394	4.4979	1.95904	10.9890	285.88	6503.88
92	8464	778688	9.5917	4.5144	1.96379	10.8696	289.03	6647.61
93	8649	804357	9.6437	4.5307	1.96848	10.7527	292.17	6792.91
94	8836	830584	9.6954	4.5468	1.97313	10.6383	295.31	6939.78
95	9025	857375	9.7468	4.5629	1.97772	10.5263	298.45	7088.22
96	9216	884736	9.7980	4.5789	1.98227	10.4167	301.59	7238.23
97	9409	912673	9.8489	4.5947	1.98677	10.3093	304.73	7389.81
98	9604	941192	9.8995	4.6104	1.99123	10.2041	307.88	7542.96
99	9801	970299	9.9499	4.6261	1.99564	10.1010	311.02	7697.69



No.	Square	Cube	Square Root	Cubic Root	Logarithm	1000 x Reciprocal	No.—Diameter	
							Circum.	Area
100	10000	1000000	10.0000	4.6416	2.00000	10.0000	314.16	7853.98
101	10201	1030301	10.0499	4.6570	2.00432	9.90099	317.30	8011.85
102	10404	1061208	10.0995	4.6723	2.00860	9.80392	320.44	8171.28
103	10609	1092727	10.1489	4.6875	2.01284	9.70874	323.58	8332.29
104	10816	1124864	10.1980	4.7027	2.01703	9.61538	326.73	8494.87
105	11025	1157625	10.2470	4.7177	2.02119	9.52381	329.87	8659.01
106	11236	1191016	10.2956	4.7326	2.02531	9.43396	333.01	8824.73
107	11449	1225043	10.3441	4.7475	2.02938	9.34579	336.15	8992.02
108	11664	1259712	10.3923	4.7622	2.03342	9.25926	339.29	9160.88
109	11881	1295029	10.4403	4.7769	2.03743	9.17431	342.43	9331.32
110	12100	1331000	10.4881	4.7914	2.04139	9.09091	345.58	9503.32
111	12321	1367631	10.5357	4.8059	2.04532	9.00901	348.72	9676.89
112	12544	1404928	10.5830	4.8203	2.04922	8.92857	351.86	9852.03
113	12769	1442897	10.6301	4.8346	2.05308	8.84956	355.00	10028.7
114	12996	1481544	10.6771	4.8488	2.05690	8.77193	358.14	10207.0
115	13225	1520875	10.7238	4.8629	2.06070	8.69565	361.28	10386.9
116	13456	1560896	10.7703	4.8770	2.06446	8.62069	364.42	10568.3
117	13689	1601613	10.8167	4.8910	2.06819	8.54701	367.57	10751.3
118	13924	1643032	10.8628	4.9049	2.07188	8.47458	370.71	10935.9
119	14161	1685159	10.9087	4.9187	2.07555	8.40336	373.85	11122.0
120	14400	1728000	10.9545	4.9324	2.07918	8.33333	376.99	11309.7
121	14641	1771561	11.0000	4.9461	2.08279	8.26446	380.13	11499.0
122	14884	1815848	11.0454	4.9597	2.08636	8.19672	383.27	11689.9
123	15129	1860867	11.0905	4.9732	2.08991	8.13008	386.42	11882.3
124	15376	1906624	11.1355	4.9866	2.09342	8.06452	389.56	12076.3
125	15625	1953125	11.1803	5.0000	2.09691	8.00000	392.70	12271.8
126	15876	2000376	11.2250	5.0133	2.10037	7.93651	395.84	12469.0
127	16129	2048383	11.2694	5.0265	2.10380	7.87402	398.98	12667.7
128	16384	2097152	11.3137	5.0397	2.10721	7.81250	402.12	12868.0
129	16641	2146689	11.3578	5.0528	2.11059	7.75194	405.27	13069.8
130	16900	2197000	11.4018	5.0658	2.11394	7.69231	408.41	13273.2
131	17161	2248091	11.4455	5.0788	2.11727	7.63359	411.55	13478.2
132	17424	2299968	11.4891	5.0916	2.12057	7.57576	414.69	13684.8
133	17689	2352637	11.5326	5.1045	2.12385	7.51880	417.83	13892.9
134	17956	2406104	11.5758	5.1172	2.12710	7.46269	420.97	14102.6
135	18225	2460375	11.6190	5.1299	2.13033	7.40741	424.12	14313.9
136	18496	2515456	11.6619	5.1426	2.13354	7.35294	427.26	14526.7
137	18769	2571353	11.7047	5.1551	2.13672	7.29927	430.40	14741.1
138	19044	2628072	11.7473	5.1676	2.13988	7.24638	433.54	14957.1
139	19321	2685619	11.7898	5.1801	2.14301	7.19424	436.68	15174.7
140	19600	2744000	11.8322	5.1925	2.14613	7.14286	439.82	15393.8
141	19881	2803221	11.8743	5.2048	2.14922	7.09220	442.96	15614.5
142	20164	2863288	11.9164	5.2171	2.15229	7.04225	446.11	15836.8
143	20449	2924207	11.9583	5.2293	2.15534	6.99301	449.25	16060.6
144	20736	2985984	12.0000	5.2415	2.15836	6.94444	452.39	16286.0
145	21025	3048625	12.0410	5.2536	2.16137	6.89655	455.53	16513.0
146	21316	3112136	12.0830	5.2656	2.16435	6.84932	458.67	16741.5
147	21609	3176523	12.1244	5.2776	2.16732	6.80272	461.81	16971.7
148	21904	3241792	12.1655	5.2896	2.17026	6.75676	464.96	17203.4
149	22201	3307949	12.2066	5.3015	2.17319	6.71141	468.10	17436.6

No.	Square	Cube	Square Root	Cubic Root	Logarithm	1000 x Reciprocal	No.—Diameter	
							Circum.	Area
150	22500	3375000	12.2474	5.3133	2.17609	6.66667	471.24	17671.5
151	22801	3442951	12.2882	5.3251	2.17898	6.62252	474.38	17907.9
152	23104	3511808	12.3288	5.3368	2.18184	6.57895	477.52	18145.8
153	23409	3581577	12.3693	5.3485	2.18469	6.53595	480.66	18385.4
154	23716	3652264	12.4097	5.3601	2.18752	6.49351	483.81	18626.5
155	24025	3723875	12.4499	5.3717	2.19033	6.45161	486.95	18869.2
156	24336	3796416	12.4900	5.3832	2.19312	6.41026	490.09	19113.4
157	24649	3869893	12.5300	5.3947	2.19590	6.36943	493.23	19359.3
158	24964	3944312	12.5698	5.4061	2.19866	6.32911	496.37	19606.7
159	25281	4019679	12.6095	5.4175	2.20140	6.28931	499.51	19855.7
160	25600	4096000	12.6491	5.4288	2.20412	6.25000	502.65	20106.2
161	25921	4173281	12.6886	5.4401	2.20683	6.21118	505.80	20358.3
162	26244	4251528	12.7279	5.4514	2.20952	6.17284	508.94	20612.0
163	26569	4330747	12.7671	5.4626	2.21219	6.13497	512.08	20867.2
164	26896	4410944	12.8062	5.4737	2.21484	6.09756	515.22	21124.1
165	27225	4492125	12.8452	5.4848	2.21748	6.06061	518.36	21382.5
166	27556	4574296	12.8841	5.4959	2.22011	6.02410	521.50	21642.4
167	27889	4657463	12.9228	5.5069	2.22272	5.98802	524.65	21904.0
168	28224	4741632	12.9615	5.5178	2.22531	5.95238	527.79	22167.1
169	28561	4826809	13.0000	5.5288	2.22789	5.91716	530.93	22431.8
170	28900	4913000	13.0384	5.5397	2.23045	5.88235	534.07	22698.0
171	29241	5000211	13.0767	5.5505	2.23300	5.84795	537.21	22965.8
172	29584	5088448	13.1149	5.5613	2.23553	5.81395	540.35	23235.2
173	29929	5177717	13.1529	5.5721	2.23805	5.78035	543.50	23506.2
174	30276	5268024	13.1909	5.5828	2.24055	5.74713	546.64	23778.7
175	30625	5359375	13.2288	5.5934	2.24304	5.71429	549.78	24052.8
176	30976	5451776	13.2665	5.6041	2.24551	5.68182	552.92	24328.5
177	31329	5545233	13.3041	5.6147	2.24797	5.64972	556.06	24605.7
178	31684	5639752	13.3417	5.6252	2.25042	5.61798	559.20	24884.6
179	32041	5735339	13.3791	5.6357	2.25285	5.58659	562.35	25164.9
180	32400	5832000	13.4164	5.6462	2.25527	5.55556	565.49	25446.9
181	32761	5929741	13.4536	5.6567	2.25768	5.52486	568.63	25730.4
182	33124	6028568	13.4907	5.6671	2.26007	5.49451	571.77	26015.5
183	33489	6128487	13.5277	5.6774	2.26245	5.46448	574.91	26302.2
184	33856	6229504	13.5647	5.6877	2.26482	5.43478	578.05	26590.4
185	34225	6331625	13.6015	5.6980	2.26717	5.40541	581.19	26880.3
186	34596	6434856	13.6382	5.7083	2.26951	5.37634	584.34	27171.6
187	34969	6539203	13.6748	5.7185	2.27184	5.34759	587.48	27464.6
188	35344	6644672	13.7113	5.7287	2.27416	5.31915	590.62	27759.1
189	35721	6751269	13.7477	5.7388	2.27646	5.29101	593.76	28055.2
190	36100	6859000	13.7840	5.7489	2.27875	5.26316	596.90	28352.9
191	36481	6967871	13.8203	5.7590	2.28103	5.23560	600.04	28652.1
192	36864	7077888	13.8564	5.7690	2.28330	5.20833	603.19	28952.9
193	37249	7189057	13.8924	5.7790	2.28556	5.18135	606.33	29255.3
194	37636	7301384	13.9284	5.7890	2.28780	5.15464	609.47	29559.2
195	38025	7414875	13.9642	5.7989	2.29003	5.12821	612.61	29864.8
196	38416	7529536	14.0000	5.8088	2.29226	5.10204	615.75	30171.9
197	38809	7645373	14.0357	5.8186	2.29447	5.07614	618.89	30480.5
198	39204	7762392	14.0712	5.8285	2.29667	5.05051	622.04	30790.7
199	39601	7880599	14.1067	5.8383	2.29885	5.02513	625.18	31102.6

No.	Square	Cube	Square Root	Cubic Root	Logarithm	1000 x Reciprocal	No. = Diameter	
							Circum.	Area
200	40000	8000000	14.1421	5.8480	2.30103	5.00000	628.32	31415.9
201	40401	8120601	14.1774	5.8578	2.30320	4.97512	631.46	31730.9
202	40804	8242408	14.2127	5.8675	2.30535	4.95050	634.60	32047.4
203	41209	8365427	14.2478	5.8771	2.30750	4.92611	637.74	32365.5
204	41616	8489664	14.2829	5.8868	2.30963	4.90196	640.88	32685.1
205	42025	8615125	14.3178	5.8964	2.31175	4.87805	644.03	33006.4
206	42436	8741816	14.3527	5.9059	2.31387	4.85437	647.17	33329.2
207	42849	8869743	14.3875	5.9155	2.31597	4.83092	650.31	33653.5
208	43264	8998912	14.4222	5.9250	2.31806	4.80769	653.45	33979.5
209	43681	9129329	14.4568	5.9345	2.32015	4.78469	656.59	34307.0
210	44100	9261000	14.4914	5.9439	2.32222	4.76190	659.73	34636.1
211	44521	9393931	14.5258	5.9533	2.32428	4.73934	662.88	34966.7
212	44944	9528128	14.5602	5.9627	2.32634	4.71698	666.02	35298.9
213	45369	9663597	14.5945	5.9721	2.32838	4.69484	669.16	35632.7
214	45796	9800344	14.6287	5.9814	2.33041	4.67290	672.30	35968.1
215	46225	9938375	14.6629	5.9907	2.33244	4.65116	675.44	36305.0
216	46656	10077696	14.6969	6.0000	2.33445	4.62963	678.58	36643.5
217	47089	10218313	14.7309	6.0092	2.33646	4.60829	681.73	36983.6
218	47524	10360232	14.7648	6.0185	2.33846	4.58716	684.87	37325.3
219	47961	10503459	14.7986	6.0277	2.34044	4.56621	688.01	37668.5
220	48400	10648000	14.8324	6.0368	2.34242	4.54545	691.15	38013.3
221	48841	10793861	14.8661	6.0459	2.34439	4.52489	694.29	38359.6
222	49284	10941048	14.8997	6.0550	2.34635	4.50450	697.43	38707.6
223	49729	11089567	14.9332	6.0641	2.34830	4.48430	700.58	39057.1
224	50176	11239424	14.9666	6.0732	2.35025	4.46429	703.72	39408.1
225	50625	11390625	15.0000	6.0822	2.35218	4.44444	706.86	39760.8
226	51076	11543176	15.0333	6.0912	2.35411	4.42478	710.00	40115.0
227	51529	11697083	15.0665	6.1002	2.35603	4.40529	713.14	40470.8
228	51984	11852352	15.0997	6.1091	2.35793	4.38596	716.28	40828.1
229	52441	12008989	15.1327	6.1180	2.35984	4.36681	719.42	41187.1
230	52900	12167000	15.1658	6.1269	2.36173	4.34783	722.57	41547.6
231	53361	12326391	15.1987	6.1358	2.36361	4.32900	725.71	41909.6
232	53824	12487168	15.2315	6.1446	2.36549	4.31034	728.85	42273.3
233	54289	12649337	15.2643	6.1534	2.36736	4.29185	731.99	42638.5
234	54756	12812904	15.2971	6.1622	2.36922	4.27350	735.13	43005.3
235	55225	12977875	15.3297	6.1710	2.37107	4.25532	738.27	43373.6
236	55696	13144256	15.3623	6.1797	2.37291	4.23729	741.42	43743.5
237	56169	13312053	15.3948	6.1885	2.37475	4.21941	744.56	44115.0
238	56644	13481272	15.4272	6.1972	2.37658	4.20168	747.70	44488.1
239	57121	13651919	15.4596	6.2058	2.37840	4.18410	750.84	44862.7
240	57600	13824000	15.4919	6.2145	2.38021	4.16667	753.98	45238.9
241	58081	13997521	15.5242	6.2231	2.38202	4.14938	757.12	45616.7
242	58564	14172488	15.5563	6.2317	2.38382	4.13223	760.27	45996.1
243	59049	14348907	15.5885	6.2403	2.38561	4.11523	763.41	46377.0
244	59536	14526784	15.6205	6.2488	2.38739	4.09836	766.55	46759.5
245	60025	14706125	15.6525	6.2573	2.38917	4.08163	769.69	47143.5
246	60516	14886936	15.6844	6.2658	2.39094	4.06504	772.83	47529.2
247	61009	15069223	15.7162	6.2743	2.39270	4.04858	775.97	47916.4
248	61504	15252992	15.7480	6.2828	2.39445	4.03226	779.12	48305.1
249	62001	15438249	15.7797	6.2912	2.39620	4.01606	782.26	48695.5

No.	Square	Cube	Square Root	Cubic Root	Logarithm	1000 x Reciprocal	No. = Diameter	
							Circum.	Area
250	62500	15625000	15.8114	6.2996	2.39794	4.00000	785.40	49087.4
251	63001	15813251	15.8430	6.3080	2.39967	3.98406	788.54	49480.9
252	63504	16003008	15.8745	6.3164	2.40140	3.96825	791.68	49875.9
253	64009	16194277	15.9060	6.3247	2.40312	3.95257	794.82	50272.6
254	64516	16387064	15.9374	6.3330	2.40483	3.93701	797.96	50670.7
255	65025	16581375	15.9687	6.3413	2.40654	3.92157	801.11	51070.5
256	65536	16777216	16.0000	6.3496	2.40824	3.90625	804.25	51471.9
257	66049	16974593	16.0312	6.3579	2.40993	3.89105	807.39	51874.8
258	66564	17173512	16.0624	6.3661	2.41162	3.87597	810.53	52279.2
259	67081	17373979	16.0935	6.3743	2.41330	3.86100	813.67	52685.3
260	67600	17576000	16.1245	6.3825	2.41497	3.84615	816.81	53092.9
261	68121	17779581	16.1555	6.3907	2.41664	3.83142	819.96	53502.1
262	68644	17984728	16.1864	6.3988	2.41830	3.81679	823.10	53912.9
263	69169	18191447	16.2173	6.4070	2.41996	3.80228	826.24	54325.2
264	69696	18399744	16.2481	6.4151	2.42160	3.78788	829.38	54739.1
265	70225	18609625	16.2788	6.4232	2.42325	3.77358	832.52	55154.6
266	70756	18821096	16.3095	6.4312	2.42488	3.75940	835.66	55571.6
267	71289	19034163	16.3401	6.4393	2.42651	3.74532	838.81	55990.2
268	71824	19248832	16.3707	6.4473	2.42813	3.73134	841.95	56410.4
269	72361	19465109	16.4012	6.4553	2.42975	3.71747	845.09	56832.2
270	72900	19683000	16.4317	6.4633	2.43136	3.70370	848.23	57255.5
271	73441	19902511	16.4621	6.4713	2.43297	3.69004	851.37	57680.4
272	73984	20123648	16.4924	6.4792	2.43457	3.67647	854.51	58106.9
273	74529	20346417	16.5227	6.4872	2.43616	3.66300	857.65	58534.9
274	75076	20570824	16.5529	6.4951	2.43775	3.64964	860.80	58964.6
275	75625	20796875	16.5831	6.5030	2.43933	3.63636	863.94	59395.7
276	76176	21024576	16.6132	6.5108	2.44091	3.62319	867.08	59828.5
277	76729	21253933	16.6433	6.5187	2.44248	3.61011	870.22	60262.8
278	77284	21484952	16.6733	6.5265	2.44404	3.59712	873.36	60698.7
279	77841	21717639	16.7033	6.5343	2.44560	3.58423	876.50	61136.2
280	78400	21952000	16.7332	6.5421	2.44716	3.57143	879.65	61575.2
281	78961	22188041	16.7631	6.5499	2.44871	3.55872	882.79	62015.8
282	79524	22425768	16.7929	6.5577	2.45025	3.54610	885.93	62458.0
283	80089	22665187	16.8226	6.5654	2.45179	3.53357	889.07	62901.8
284	80656	22906304	16.8523	6.5731	2.45332	3.52113	892.21	63347.1
285	81225	23149125	16.8819	6.5808	2.45484	3.50877	895.35	63794.0
286	81796	23393656	16.9115	6.5885	2.45637	3.49650	898.50	64242.4
287	82369	23639903	16.9411	6.5962	2.45788	3.48432	901.64	64692.5
288	82944	23887872	16.9706	6.6039	2.45939	3.47222	904.78	65144.1
289	83521	24137569	17.0000	6.6115	2.46090	3.46021	907.92	65597.2
290	84100	24389000	17.0294	6.6191	2.46240	3.44828	911.06	66052.0
291	84681	24642171	17.0587	6.6267	2.46389	3.43643	914.20	66508.3
292	85264	24897088	17.0880	6.6343	2.46538	3.42466	917.35	66966.2
293	85849	25153757	17.1172	6.6419	2.46687	3.41297	920.49	67425.6
294	86436	25412184	17.1464	6.6494	2.46835	3.40136	923.63	67886.7
295	87025	25672375	17.1756	6.6569	2.46982	3.38983	926.77	68349.3
296	87616	25934336	17.2047	6.6644	2.47129	3.37838	929.91	68813.4
297	88209	26198073	17.2337	6.6719	2.47276	3.36700	933.05	69279.2
298	88804	26463592	17.2627	6.6794	2.47422	3.35570	936.19	69746.5
299	89401	26730899	17.2916	6.6869	2.47567	3.34448	939.34	70215.4

Functions of Numbers, 200 to 299

Functions of Numbers

16-1-55

No.	Square	Cube	Square Root	Cubic Root	Logarithm	1000 x Reciprocal	No. = Diameter	
							Circum.	Area
300	90000	27000000	17.3205	6.6943	2.47712	3.33333	942.48	70685.8
301	90601	27270901	17.3494	6.7018	2.47857	3.32226	945.62	71157.9
302	91204	27543608	17.3781	6.7092	2.48001	3.31126	948.78	71631.5
303	91809	27818127	17.4069	6.7166	2.48144	3.30033	951.90	72106.6
304	92416	28094464	17.4356	6.7240	2.48287	3.28947	955.04	72583.4
305	93025	28372625	17.4642	6.7313	2.48430	3.27869	958.19	73061.7
306	93636	28652616	17.4929	6.7387	2.48572	3.26797	961.33	73541.5
307	94249	28934443	17.5214	6.7460	2.48714	3.25733	964.47	74023.0
308	94864	29218112	17.5499	6.7533	2.48855	3.24675	967.61	74506.0
309	95481	29503629	17.5784	6.7606	2.48996	3.23625	970.75	74990.6
310	96100	29791000	17.6068	6.7679	2.49136	3.22581	973.89	75476.8
311	96721	30080231	17.6352	6.7752	2.49276	3.21543	977.04	75964.5
312	97344	30371328	17.6635	6.7824	2.49415	3.20513	980.18	76453.8
313	97969	30664297	17.6918	6.7897	2.49554	3.19489	983.32	76944.7
314	98596	30959144	17.7200	6.7969	2.49693	3.18471	986.46	77437.1
315	99225	31255875	17.7482	6.8041	2.49831	3.17460	989.60	77931.1
316	99856	31554496	17.7764	6.8113	2.49969	3.16456	992.74	78426.7
317	100489	31855013	17.8045	6.8185	2.50106	3.15457	995.88	78923.9
318	101124	32157432	17.8326	6.8256	2.50243	3.14465	999.03	79422.6
319	101761	32461759	17.8606	6.8328	2.50379	3.13480	1002.2	79922.9
320	102400	32768000	17.8885	6.8399	2.50515	3.12500	1005.3	80424.8
321	103041	33076161	17.9165	6.8470	2.50651	3.11526	1008.5	80928.2
322	103684	33386248	17.9444	6.8541	2.50786	3.10559	1011.6	81433.2
323	104329	33698267	17.9722	6.8612	2.50920	3.09598	1014.7	81939.8
324	104976	34012224	18.0000	6.8683	2.51055	3.08642	1017.9	82448.0
325	105625	34328125	18.0278	6.8753	2.51188	3.07692	1021.0	82957.7
326	106276	34645976	18.0555	6.8824	2.51322	3.06749	1024.2	83469.0
327	106929	34965783	18.0831	6.8894	2.51455	3.05810	1027.3	83981.8
328	107584	35287552	18.1108	6.8964	2.51587	3.04878	1030.4	84496.3
329	108241	35611289	18.1384	6.9034	2.51720	3.03951	1033.6	85012.3
330	108900	35937000	18.1659	6.9104	2.51851	3.03030	1036.7	85529.9
331	109561	36264691	18.1934	6.9174	2.51983	3.02115	1039.9	86049.0
332	110224	36594368	18.2209	6.9244	2.52114	3.01205	1043.0	86569.7
333	110889	36926037	18.2483	6.9313	2.52244	3.00300	1046.2	87092.0
334	111556	37259704	18.2757	6.9382	2.52375	2.99401	1049.3	87615.9
335	112225	37595375	18.3030	6.9451	2.52504	2.98507	1052.4	88141.3
336	112896	37933056	18.3303	6.9521	2.52634	2.97619	1055.6	88668.3
337	113569	38272753	18.3576	6.9590	2.52763	2.96736	1058.7	89196.9
338	114244	38614472	18.3848	6.9658	2.52892	2.95858	1061.9	89727.0
339	114921	38958219	18.4120	6.9727	2.53020	2.94985	1065.0	90258.7
340	115600	39304000	18.4391	6.9795	2.53148	2.94118	1068.1	90792.0
341	116281	39651821	18.4662	6.9864	2.53275	2.93255	1071.3	91326.9
342	116964	40001688	18.4932	6.9932	2.53403	2.92398	1074.4	91863.3
343	117649	40353607	18.5203	7.0000	2.53529	2.91545	1077.6	92401.3
344	118336	40707584	18.5472	7.0068	2.53656	2.90698	1080.7	92940.9
345	119025	41063625	18.5742	7.0136	2.53782	2.89855	1083.8	93482.0
346	119716	41421736	18.6011	7.0203	2.53908	2.89017	1087.0	94024.7
347	120409	41781923	18.6279	7.0271	2.54033	2.88184	1090.1	94569.0
348	121104	42144192	18.6548	7.0338	2.54158	2.87356	1093.3	95114.9
349	121801	42508549	18.6815	7.0406	2.54283	2.86533	1096.4	95662.3

No.	Square	Cube	Square Root	Cubic Root	Logarithm	1000 x Reciprocal	No. = Diameter	
							Circum.	Area
350	122500	42875000	18.7083	7.0473	2.54407	2.85714	1099.6	96211.3
351	123201	43243551	18.7350	7.0540	2.54531	2.84900	1102.7	96761.8
352	123904	43614208	18.7617	7.0607	2.54654	2.84091	1105.8	97314.0
353	124609	43986977	18.7883	7.0674	2.54777	2.83286	1109.0	97867.7
354	125316	44361864	18.8149	7.0740	2.54900	2.82486	1112.1	98423.0
355	126025	44738875	18.8414	7.0807	2.55023	2.81690	1115.3	98979.9
356	126736	45118016	18.8680	7.0873	2.55145	2.80899	1118.4	99538.2
357	127449	45499293	18.8944	7.0940	2.55267	2.80112	1121.5	100098
358	128164	45882712	18.9209	7.1006	2.55388	2.79330	1124.7	100660
359	128881	46268279	18.9473	7.1072	2.55509	2.78552	1127.8	101223
360	129600	46656000	18.9737	7.1138	2.55630	2.77778	1131.0	101788
361	130321	47045881	19.0000	7.1204	2.55751	2.77008	1134.1	102354
362	131044	47437928	19.0263	7.1269	2.55871	2.76243	1137.3	102922
363	131769	47832147	19.0526	7.1335	2.55991	2.75482	1140.4	103491
364	132496	48228544	19.0788	7.1400	2.56110	2.74725	1143.5	104062
365	133225	48627125	19.1050	7.1466	2.56229	2.73973	1146.7	104635
366	133956	49027896	19.1311	7.1531	2.56348	2.73224	1149.8	105209
367	134689	49430863	19.1572	7.1596	2.56467	2.72480	1153.0	105785
368	135424	49836032	19.1833	7.1661	2.56585	2.71739	1156.1	106362
369	136161	50243409	19.2094	7.1726	2.56703	2.71003	1159.2	106941
370	136900	50653000	19.2354	7.1791	2.56820	2.70270	1162.4	107521
371	137641	51064811	19.2614	7.1855	2.56937	2.69542	1165.5	108103
372	138384	51478848	19.2873	7.1920	2.57054	2.68817	1168.7	108687
373	139129	51895117	19.3132	7.1984	2.57171	2.68097	1171.8	109272
374	139876	52313624	19.3391	7.2048	2.57287	2.67380	1175.0	109858
375	140625	52734375	19.3649	7.2112	2.57403	2.66667	1178.1	110447
376	141376	53157376	19.3907	7.2177	2.57519	2.65957	1181.2	111036
377	142129	53582633	19.4165	7.2240	2.57634	2.65252	1184.4	111628
378	142884	54010152	19.4422	7.2304	2.57749	2.64550	1187.5	112221
379	143641	54439939	19.4679	7.2368	2.57864	2.63852	1190.7	112815
380	144400	54872000	19.4936	7.2432	2.57978	2.63158	1193.8	113411
381	145161	55306341	19.5192	7.2495	2.58093	2.62467	1196.9	114009
382	145924	55742968	19.5448	7.2558	2.58206	2.61780	1200.1	114608
383	146689	56181887	19.5704	7.2622	2.58320	2.61097	1203.2	115209
384	147456	56623104	19.5959	7.2685	2.58433	2.60417	1206.4	115812
385	148225	57066625	19.6214	7.2748	2.58546	2.59740	1209.5	116416
386	148996	57512456	19.6469	7.2811	2.58659	2.59067	1212.7	117021
387	149769	57960603	19.6723	7.2874	2.58771	2.58398	1215.8	117628
388	150544	58411072	19.6977	7.2936	2.58883	2.57732	1218.9	118237
389	151321	58863869	19.7231	7.2999	2.58995	2.57069	1222.1	118847
390	152100	59319000	19.7484	7.3061	2.59106	2.56410	1225.2	119459
391	152881	59776471	19.7737	7.3124	2.59218	2.55754	1228.4	120072
392	153664	60236288	19.7990	7.3186	2.59329	2.55102	1231.5	120687
393	154449	60698457	19.8242	7.3248	2.59439	2.54453	1234.6	121304
394	155236	61162984	19.8494	7.3310	2.59550	2.53807	1237.8	121922
395	156025	61629875	19.8746	7.3372	2.59660	2.53165	1240.9	122542
396	156816	62099136	19.8997	7.3434	2.59770	2.52525	1244.1	123163
397	157609	62570773	19.9249	7.3496	2.59879	2.51889	1247.2	123786
398	158404	63044702	19.9499	7.3558	2.59988	2.51256	1250.4	124410
399	159201	63521199	19.9750	7.3619	2.60097	2.50627	1253.5	125036

Functions of Numbers, 300 to 399

No.	Square	Cube	Square Root	Cubic Root	Logarithm	1000 x Reciprocal	No.—Diameter	
							Circum.	Area
400	160000	64000000	20.0000	7.3681	2.60206	2.50000	1256.6	125664
401	160801	64481201	20.0250	7.3742	2.60314	2.49377	1259.8	126293
402	161604	64964808	20.0499	7.3803	2.60423	2.48756	1262.9	126923
403	162409	65450827	20.0749	7.3864	2.60531	2.48139	1266.1	127556
404	163216	65939264	20.0998	7.3925	2.60638	2.47525	1269.2	128190
405	164025	66430125	20.1246	7.3986	2.60746	2.46914	1272.3	128825
406	164836	66923416	20.1494	7.4047	2.60853	2.46305	1275.5	129462
407	165649	67419143	20.1742	7.4108	2.60959	2.45700	1278.6	130100
408	166464	67917312	20.1990	7.4169	2.61066	2.45098	1281.8	130741
409	167281	68417929	20.2237	7.4229	2.61172	2.44499	1284.9	131382
410	168100	68921000	20.2485	7.4290	2.61278	2.43902	1288.1	132025
411	168921	69426531	20.2731	7.4350	2.61384	2.43309	1291.2	132670
412	169744	69934528	20.2978	7.4410	2.61490	2.42718	1294.3	133317
413	170569	70444997	20.3224	7.4470	2.61595	2.42131	1297.5	133965
414	171396	70957944	20.3470	7.4530	2.61700	2.41546	1300.6	134614
415	172225	71473375	20.3715	7.4590	2.61805	2.40964	1303.8	135265
416	173056	71991296	20.3961	7.4650	2.61909	2.40385	1306.9	135918
417	173889	72511713	20.4206	7.4710	2.62014	2.39808	1310.0	136572
418	174724	73034632	20.4450	7.4770	2.62118	2.39234	1313.2	137228
419	175561	73560059	20.4695	7.4829	2.62221	2.38663	1316.3	137885
420	176400	74088000	20.4939	7.4889	2.62325	2.38095	1319.5	138544
421	177241	74618461	20.5183	7.4948	2.62428	2.37530	1322.6	139205
422	178084	75151448	20.5426	7.5007	2.62531	2.36967	1325.8	139867
423	178929	75686967	20.5670	7.5067	2.62634	2.36407	1328.9	140531
424	179776	76225024	20.5913	7.5126	2.62737	2.35849	1332.0	141196
425	180625	76765625	20.6155	7.5185	2.62839	2.35294	1335.2	141863
426	181476	77308776	20.6398	7.5244	2.62941	2.34742	1338.3	142531
427	182329	77854483	20.6640	7.5302	2.63043	2.34192	1341.5	143201
428	183184	78402752	20.6882	7.5361	2.63144	2.33645	1344.6	143872
429	184041	78953589	20.7123	7.5420	2.63246	2.33100	1347.7	144545
430	184900	79507000	20.7364	7.5478	2.63347	2.32558	1350.9	145220
431	185761	80062991	20.7605	7.5537	2.63448	2.32019	1354.0	145896
432	186624	80621568	20.7846	7.5595	2.63548	2.31481	1357.2	146574
433	187489	81182737	20.8087	7.5654	2.63649	2.30947	1360.3	147254
434	188356	81746504	20.8327	7.5712	2.63749	2.30415	1363.5	147934
435	189225	82312875	20.8567	7.5770	2.63849	2.29885	1366.6	148617
436	190096	82881856	20.8806	7.5828	2.63949	2.29358	1369.7	149301
437	190969	83453453	20.9045	7.5886	2.64048	2.28833	1372.9	149987
438	191844	84027672	20.9284	7.5944	2.64147	2.28311	1376.0	150674
439	192721	84604519	20.9523	7.6001	2.64246	2.27790	1379.2	151363
440	193600	85184000	20.9762	7.6059	2.64345	2.27273	1382.3	152053
441	194481	85766121	21.0000	7.6117	2.64444	2.26757	1385.4	152745
442	195364	86350888	21.0238	7.6174	2.64542	2.26244	1388.6	153439
443	196249	86938307	21.0476	7.6232	2.64640	2.25734	1391.7	154134
444	197136	87528384	21.0713	7.6289	2.64738	2.25225	1394.9	154830
445	198025	88121125	21.0950	7.6346	2.64836	2.24719	1398.0	155528
446	198916	88716536	21.1187	7.6403	2.64933	2.24215	1401.2	156228
447	199809	89314623	21.1424	7.6460	2.65031	2.23714	1404.3	156930
448	200704	89915392	21.1660	7.6517	2.65128	2.23214	1407.4	157633
449	201601	90518849	21.1896	7.6574	2.65225	2.22717	1410.6	158337

No.	Square	Cube	Square Root	Cubic Root	Logarithm	1000 x Reciprocal	No.—Diameter	
							Circum.	Area
450	202500	91125000	21.2132	7.6631	2.65321	2.22222	1413.7	159043
451	203401	91733851	21.2368	7.6688	2.65418	2.21729	1416.9	159751
452	204304	92345408	21.2603	7.6744	2.65514	2.21239	1420.0	160460
453	205209	92959077	21.2838	7.6801	2.65610	2.20751	1423.1	161171
454	206116	93576664	21.3073	7.6857	2.65706	2.20264	1426.3	161883
455	207025	94196375	21.3307	7.6914	2.65801	2.19780	1429.4	162597
456	207936	94818816	21.3542	7.6970	2.65896	2.19298	1432.6	163313
457	208849	95443993	21.3776	7.7026	2.65992	2.18818	1435.7	164030
458	209764	96071912	21.4009	7.7082	2.66087	2.18341	1438.8	164748
459	210681	96702579	21.4243	7.7138	2.66181	2.17865	1442.0	165468
460	211600	97336000	21.4476	7.7194	2.66276	2.17391	1445.1	166190
461	212521	97972181	21.4709	7.7250	2.66370	2.16920	1448.3	166914
462	213444	98611128	21.4942	7.7306	2.66464	2.16450	1451.4	167639
463	214369	99252847	21.5174	7.7362	2.66558	2.15983	1454.6	168365
464	215296	99897344	21.5407	7.7418	2.66652	2.15517	1457.7	169093
465	216225	100544625	21.5639	7.7473	2.66745	2.15054	1460.8	169823
466	217156	101194696	21.5870	7.7529	2.66839	2.14592	1464.0	170554
467	218089	101847563	21.6102	7.7584	2.66932	2.14133	1467.1	171287
468	219024	102503232	21.6333	7.7639	2.67025	2.13675	1470.3	172021
469	219961	103161709	21.6564	7.7695	2.67117	2.13220	1473.4	172757
470	220900	103823000	21.6795	7.7750	2.67210	2.12766	1476.5	173494
471	221841	104487111	21.7025	7.7805	2.67302	2.12314	1479.7	174234
472	222784	105154048	21.7256	7.7860	2.67394	2.11864	1482.8	174974
473	223729	105823817	21.7486	7.7915	2.67486	2.11416	1486.0	175716
474	224676	106496424	21.7715	7.7970	2.67578	2.10970	1489.1	176460
475	225625	107171875	21.7945	7.8025	2.67669	2.10526	1492.3	177205
476	226576	107850176	21.8174	7.8079	2.67761	2.10084	1495.4	177952
477	227529	108531333	21.8403	7.8134	2.67852	2.09644	1498.5	178701
478	228484	109215352	21.8632	7.8188	2.67943	2.09205	1501.7	179451
479	229441	109902239	21.8861	7.8243	2.68034	2.08768	1504.8	180203
480	230400	110592000	21.9089	7.8297	2.68124	2.08333	1508.0	180956
481	231361	111284641	21.9317	7.8352	2.68215	2.07900	1511.1	181711
482	232324	111980168	21.9545	7.8406	2.68305	2.07469	1514.2	182467
483	233289	112678587	21.9773	7.8460	2.68395	2.07039	1517.4	183225
484	234256	113379904	22.0000	7.8514	2.68485	2.06612	1520.5	183984
485	235225	114084125	22.0227	7.8568	2.68574	2.06186	1523.7	184745
486	236196	114791256	22.0454	7.8622	2.68664	2.05761	1526.8	185508
487	237169	115501303	22.0681	7.8676	2.68753	2.05339	1530.0	186272
488	238144	116214272	22.0907	7.8730	2.68842	2.04918	1533.1	187038
489	239121	116930169	22.1133	7.8784	2.68931	2.04499	1536.2	187805
490	240100	117649000	22.1359	7.8837	2.69020	2.04082	1539.4	188574
491	241081	118370771	22.1585	7.8891	2.69108	2.03666	1542.5	189345
492	242064	119095488	22.1811	7.8944	2.69197	2.03252	1545.7	190117
493	243049	119823157	22.2036	7.8998	2.69285	2.02840	1548.8	190890
494	244036	120553784	22.2261	7.9051	2.69373	2.02429	1551.9	191665
495	245025	121287375	22.2486	7.9105	2.69461	2.02020	1555.1	192442
496	246016	122023936	22.2711	7.9158	2.69548	2.01613	1558.2	193221
497	247009	122763473	22.2935	7.9211	2.69636	2.01207	1561.4	194000
498	248004	123505992	22.3159	7.9264	2.69723	2.00803	1564.5	194782
499	249001	124251499	22.3383	7.9317	2.69810	2.00401	1567.7	195565

Functions of Numbers, 400 to 499

Functions of Numbers, 500 to 599

No.	Square	Cube	Square Root	Cubic Root	Logarithm	1000 x Reciprocal	No.—Diameter	
							Circum.	Area
500	250000	125000000	22.3607	7.9370	2.69897	2.00000	1570.8	196350
501	251001	125751501	22.3830	7.9423	2.69984	1.99601	1573.9	197136
502	252004	126506008	22.4054	7.9476	2.70070	1.99203	1577.1	197923
503	253009	127263527	22.4277	7.9528	2.70157	1.98807	1580.2	198713
504	254016	128024064	22.4499	7.9581	2.70243	1.98413	1583.4	199504
505	255025	128787625	22.4722	7.9634	2.70329	1.98020	1586.5	200296
506	256036	129554216	22.4944	7.9686	2.70415	1.97628	1589.6	201090
507	257049	130323843	22.5167	7.9739	2.70501	1.97239	1592.8	201886
508	258064	131096512	22.5389	7.9791	2.70586	1.96850	1595.9	202683
509	259081	131872229	22.5610	7.9843	2.70672	1.96464	1599.1	203482
510	260100	132651000	22.5832	7.9896	2.70757	1.96078	1602.2	204282
511	261121	133432831	22.6053	7.9948	2.70842	1.95695	1605.4	205084
512	262144	134217728	22.6274	8.0000	2.70927	1.95312	1608.5	205887
513	263169	135005697	22.6495	8.0052	2.71012	1.94932	1611.6	206692
514	264196	135796744	22.6716	8.0104	2.71096	1.94553	1614.8	207499
515	265225	136590875	22.6936	8.0156	2.71181	1.94175	1617.9	208307
516	266256	137388096	22.7156	8.0208	2.71265	1.93798	1621.1	209117
517	267289	138188413	22.7376	8.0260	2.71349	1.93424	1624.2	209928
518	268324	138991832	22.7596	8.0311	2.71433	1.93050	1627.3	210741
519	269361	139798359	22.7816	8.0363	2.71517	1.92678	1630.5	211556
520	270400	140608000	22.8035	8.0415	2.71600	1.92308	1633.6	212372
521	271441	141420761	22.8254	8.0466	2.71684	1.91939	1636.8	213189
522	272484	142236648	22.8473	8.0517	2.71767	1.91571	1639.9	214008
523	273529	143055667	22.8692	8.0569	2.71850	1.91205	1643.1	214829
524	274576	143877824	22.8910	8.0620	2.71933	1.90840	1646.2	215651
525	275625	144703125	22.9129	8.0671	2.72016	1.90476	1649.3	216475
526	276676	145531576	22.9347	8.0723	2.72099	1.90114	1652.5	217301
527	277729	146363183	22.9565	8.0774	2.72181	1.89753	1655.6	218128
528	278784	147197952	22.9783	8.0825	2.72263	1.89394	1658.8	218956
529	279841	148035889	23.0000	8.0876	2.72346	1.89036	1661.9	219787
530	280900	148877000	23.0217	8.0927	2.72428	1.88679	1665.0	220618
531	281961	149721291	23.0434	8.0978	2.72509	1.88324	1668.2	221452
532	283024	150568768	23.0651	8.1028	2.72591	1.87970	1671.3	222287
533	284089	151419437	23.0868	8.1079	2.72673	1.87617	1674.5	223123
534	285156	152273304	23.1084	8.1130	2.72754	1.87266	1677.6	223961
535	286225	153130375	23.1301	8.1180	2.72835	1.86916	1680.8	224801
536	287296	153990656	23.1517	8.1231	2.72916	1.86567	1683.9	225642
537	288369	154854153	23.1733	8.1281	2.72997	1.86220	1687.0	226484
538	289444	155720872	23.1948	8.1332	2.73078	1.85874	1690.2	227329
539	290521	156590819	23.2164	8.1382	2.73159	1.85529	1693.3	228175
540	291600	157464000	23.2379	8.1433	2.73239	1.85185	1696.5	229022
541	292681	158340421	23.2594	8.1483	2.73320	1.84843	1699.6	229871
542	293764	159220088	23.2809	8.1533	2.73400	1.84502	1702.7	230722
543	294849	160103007	23.3024	8.1583	2.73480	1.84162	1705.9	231574
544	295936	160989184	23.3238	8.1633	2.73560	1.83824	1709.0	232428
545	297025	161878625	23.3452	8.1683	2.73640	1.83486	1712.2	233283
546	298116	162771336	23.3666	8.1733	2.73719	1.83150	1715.3	234140
547	299209	163667323	23.3880	8.1783	2.73799	1.82815	1718.5	234998
548	300304	164566592	23.4094	8.1833	2.73878	1.82482	1721.6	235858
549	301401	165469149	23.4307	8.1882	2.73957	1.82149	1724.7	236720

No.	Square	Cube	Square Root	Cubic Root	Logarithm	1000 x Reciprocal	No.—Diameter	
							Circum.	Area
550	302500	166375000	23.4521	8.1932	2.74036	1.81818	1727.9	237583
551	303601	167284151	23.4734	8.1982	2.74115	1.81488	1731.0	238448
552	304704	168196608	23.4947	8.2031	2.74194	1.81159	1734.2	239314
553	305809	169112377	23.5160	8.2081	2.74273	1.80832	1737.3	240182
554	306916	170031464	23.5372	8.2130	2.74351	1.80505	1740.4	241051
555	308025	170953875	23.5584	8.2180	2.74429	1.80180	1743.6	241922
556	309136	171879616	23.5797	8.2229	2.74507	1.79856	1746.7	242795
557	310249	172808693	23.6008	8.2278	2.74586	1.79533	1749.9	243669
558	311364	173741112	23.6220	8.2327	2.74663	1.79211	1753.0	244545
559	312481	174676879	23.6432	8.2377	2.74741	1.78891	1756.2	245422
560	313600	175616000	23.6643	8.2426	2.74819	1.78571	1759.3	246301
561	314721	176558481	23.6854	8.2475	2.74896	1.78253	1762.4	247181
562	315844	177504328	23.7065	8.2524	2.74974	1.77936	1765.6	248063
563	316969	178453547	23.7276	8.2573	2.75051	1.77620	1768.7	248947
564	318096	179406144	23.7487	8.2621	2.75128	1.77305	1771.9	249832
565	319225	180362125	23.7697	8.2670	2.75205	1.76991	1775.0	250719
566	320356	181321496	23.7908	8.2719	2.75282	1.76678	1778.1	251607
567	321489	182284263	23.8118	8.2768	2.75358	1.76367	1781.3	252497
568	322624	183250432	23.8328	8.2816	2.75435	1.76056	1784.4	253388
569	323761	184220000	23.8537	8.2865	2.75511	1.75747	1787.6	254281
570	324900	185193000	23.8747	8.2913	2.75587	1.75439	1790.7	255176
571	326041	186169411	23.8956	8.2962	2.75664	1.75131	1793.8	256072
572	327184	187149248	23.9165	8.3010	2.75740	1.74825	1797.0	256970
573	328329	188132517	23.9374	8.3059	2.75815	1.74520	1800.1	257869
574	329476	189119224	23.9583	8.3107	2.75891	1.74216	1803.3	258770
575	330625	190109375	23.9792	8.3155	2.75967	1.73912	1806.4	259672
576	331776	191102976	24.0000	8.3203	2.76042	1.73611	1809.6	260576
577	332929	192100033	24.0208	8.3251	2.76118	1.73310	1812.7	261482
578	334084	193100552	24.0416	8.3300	2.76193	1.73010	1815.8	262389
579	335241	194104539	24.0624	8.3348	2.76268	1.72712	1819.0	263298
580	336400	195112000	24.0832	8.3396	2.76343	1.72414	1822.1	264208
581	337561	196122941	24.1039	8.3443	2.76418	1.72117	1825.3	265120
582	338724	197137368	24.1247	8.3491	2.76492	1.71821	1828.4	266033
583	339889	198155287	24.1454	8.3539	2.76567	1.71527	1831.6	266948
584	341056	199176704	24.1661	8.3587	2.76641	1.71233	1834.7	267865
585	342225	200201625	24.1868	8.3634	2.76716	1.70940	1837.8	268783
586	343396	201230056	24.2074	8.3682	2.76790	1.70648	1841.0	269703
587	344569	202262003	24.2281	8.3730	2.76864	1.70358	1844.1	270624
588	345744	203297472	24.2487	8.3777	2.76938	1.70068	1847.3	271547
589	346921	204336469	24.2692	8.3825	2.77012	1.69779	1850.4	272471
590	348100	205379000	24.2899	8.3872	2.77085	1.69492	1853.5	273397
591	349281	206425071	24.3105	8.3919	2.77159	1.69205	1856.7	274325
592	350464	207474688	24.3311	8.3967	2.77232	1.68919	1859.8	275254
593	351649	208527857	24.3516	8.4014	2.77305	1.68634	1863.0	276184
594	352836	209584584	24.3721	8.4061	2.77379	1.68350	1866.1	277117
595	354025	210644875	24.3926	8.4108	2.77452	1.68067	1869.2	278051
596	355216	211708736	24.4131	8.4155	2.77525	1.67785	1872.4	278986
597	356409	212776173	24.4336	8.4202	2.77597	1.67504	1875.5	279923
598	357604	213847192	24.4540	8.4249	2.77670	1.67224	1878.7	280862
599	358801	214921799	24.4745	8.4296	2.77743	1.66945	1881.8	281802

No.	Square	Cube	Square Root	Cubic Root	Logarithm	1000 x Reciprocal	No.—Diameter	
							Circum.	Area
600	380000	216000000	24.4949	8.4343	2.77815	1.66667	1885.0	282743
601	381201	217081801	24.5153	8.4390	2.77887	1.66389	1888.1	283687
602	382404	218167208	24.5357	8.4437	2.77960	1.66113	1891.2	284631
603	383609	219256227	24.5561	8.4484	2.78032	1.65837	1894.4	285578
604	384816	220348864	24.5764	8.4530	2.78104	1.65563	1897.5	286526
605	386025	221445125	24.5967	8.4577	2.78176	1.65289	1900.7	287475
606	387236	222545016	24.6171	8.4623	2.78247	1.65017	1903.8	288426
607	388449	223648543	24.6374	8.4670	2.78319	1.64745	1906.9	289379
608	389664	224755712	24.6577	8.4716	2.78390	1.64474	1910.1	290333
609	370881	225866529	24.6779	8.4763	2.78462	1.64204	1913.2	291289
610	372100	226981000	24.6982	8.4809	2.78533	1.63934	1916.4	292247
611	373321	228099131	24.7184	8.4856	2.78604	1.63666	1919.5	293206
612	374544	229220928	24.7386	8.4902	2.78675	1.63399	1922.7	294166
613	375769	230346397	24.7588	8.4948	2.78746	1.63132	1925.8	295128
614	376996	231475544	24.7790	8.4994	2.78817	1.62866	1928.9	296092
615	378225	232608375	24.7992	8.5040	2.78888	1.62602	1932.1	297057
616	379456	233744896	24.8193	8.5086	2.78958	1.62338	1935.2	298024
617	380689	234885113	24.8395	8.5132	2.79029	1.62075	1938.4	298992
618	381924	236029032	24.8596	8.5178	2.79099	1.61812	1941.5	299962
619	383161	237176659	24.8797	8.5224	2.79169	1.61551	1944.6	300934
620	384400	238328000	24.8998	8.5270	2.79239	1.61290	1947.8	301907
621	385641	239483061	24.9199	8.5316	2.79309	1.61031	1950.9	302882
622	386884	240641848	24.9399	8.5362	2.79379	1.60772	1954.1	303858
623	388129	241804367	24.9600	8.5408	2.79449	1.60514	1957.2	304836
624	389376	242970624	24.9800	8.5453	2.79518	1.60256	1960.4	305815
625	390625	244140625	25.0000	8.5499	2.79588	1.60000	1963.5	306796
626	391876	245314376	25.0200	8.5544	2.79657	1.59744	1966.6	307779
627	393129	246491883	25.0400	8.5590	2.79727	1.59490	1969.8	308763
628	394384	247673152	25.0599	8.5635	2.79796	1.59236	1972.9	309748
629	395641	248858189	25.0799	8.5681	2.79865	1.58983	1976.1	310736
630	396900	250047000	25.0998	8.5726	2.79934	1.58730	1979.2	311725
631	398161	251239591	25.1197	8.5772	2.80003	1.58477	1982.3	312715
632	399424	252435968	25.1396	8.5817	2.80072	1.58228	1985.5	313707
633	400689	253636137	25.1595	8.5862	2.80140	1.57978	1988.6	314700
634	401956	254840104	25.1794	8.5907	2.80209	1.57729	1991.8	315696
635	403225	256047875	25.1992	8.5952	2.80277	1.57480	1994.9	316692
636	404496	257259456	25.2190	8.5997	2.80346	1.57233	1998.1	317690
637	405769	258474853	25.2388	8.6043	2.80414	1.56986	2001.2	318690
638	407044	259694072	25.2587	8.6088	2.80482	1.56740	2004.3	319692
639	408321	260917119	25.2784	8.6132	2.80550	1.56495	2007.5	320695
640	409600	262144000	25.2982	8.6177	2.80618	1.56250	2010.6	321699
641	410881	263374721	25.3180	8.6222	2.80686	1.56006	2013.8	322705
642	412164	264609288	25.3377	8.6267	2.80754	1.55763	2016.9	323713
643	413449	265847707	25.3574	8.6312	2.80821	1.55521	2020.0	324722
644	414736	267089984	25.3772	8.6357	2.80889	1.55280	2023.2	325733
645	416025	268336125	25.3969	8.6401	2.80956	1.55039	2026.3	326745
646	417316	269586136	25.4165	8.6446	2.81023	1.54799	2029.5	327759
647	418609	270840023	25.4362	8.6490	2.81090	1.54560	2032.6	328775
648	419904	272097792	25.4558	8.6535	2.81158	1.54321	2035.8	329792
649	421201	273359449	25.4755	8.6579	2.81224	1.54083	2038.9	330810

No.	Square	Cube	Square Root	Cubic Root	Logarithm	1000 x Reciprocal	No.—Diameter	
							Circum.	Area
650	422500	274625000	25.4951	8.6624	2.81291	1.53846	2042.0	331831
651	423801	275894451	25.5147	8.6668	2.81358	1.53610	2045.2	332853
652	425104	277167808	25.5343	8.6713	2.81425	1.53374	2048.3	333876
653	426409	278445077	25.5539	8.6757	2.81491	1.53139	2051.5	334901
654	427716	279726264	25.5734	8.6801	2.81558	1.52905	2054.6	335927
655	429025	281011375	25.5930	8.6845	2.81624	1.52672	2057.7	336955
656	430336	282300416	25.6125	8.6890	2.81690	1.52439	2060.9	337985
657	431649	283593393	25.6320	8.6934	2.81757	1.52207	2064.0	339016
658	432964	284890312	25.6515	8.6978	2.81823	1.51976	2067.2	340049
659	434281	286191179	25.6710	8.7022	2.81889	1.51745	2070.3	341084
660	435600	287496000	25.6905	8.7066	2.81954	1.51515	2073.5	342119
661	436921	288804781	25.7099	8.7110	2.82020	1.51286	2076.6	343157
662	438244	290117528	25.7294	8.7154	2.82086	1.51057	2079.7	344196
663	439569	291434247	25.7488	8.7198	2.82151	1.50830	2082.9	345237
664	440896	292754944	25.7682	8.7241	2.82217	1.50602	2086.0	346279
665	442225	294079625	25.7876	8.7285	2.82282	1.50376	2089.2	347323
666	443556	295408296	25.8070	8.7329	2.82347	1.50150	2092.3	348368
667	444889	296740963	25.8263	8.7373	2.82413	1.49925	2095.4	349415
668	446224	298077632	25.8457	8.7416	2.82478	1.49701	2098.6	350464
669	447561	299418309	25.8650	8.7460	2.82543	1.49477	2101.7	351514
670	448900	300763000	25.8844	8.7503	2.82607	1.49254	2104.9	352565
671	450241	302111711	25.9037	8.7547	2.82672	1.49031	2108.0	353618
672	451584	303464448	25.9230	8.7590	2.82737	1.48810	2111.2	354673
673	452929	304821217	25.9422	8.7634	2.82802	1.48588	2114.3	355730
674	454276	306182024	25.9615	8.7677	2.82866	1.48368	2117.4	356788
675	455625	307546875	25.9808	8.7721	2.82930	1.48148	2120.6	357847
676	456976	308915776	26.0000	8.7764	2.82995	1.47929	2123.7	358908
677	458329	310288723	26.0192	8.7807	2.83059	1.47710	2126.9	359971
678	459684	311665752	26.0384	8.7850	2.83123	1.47493	2130.0	361035
679	461041	313046839	26.0576	8.7893	2.83187	1.47275	2133.1	362101
680	462400	314432000	26.0768	8.7937	2.83251	1.47059	2136.3	363168
681	463761	315821241	26.0960	8.7980	2.83315	1.46843	2139.4	364237
682	465124	317214568	26.1151	8.8023	2.83378	1.46628	2142.6	365308
683	466489	318611987	26.1343	8.8066	2.83442	1.46413	2145.7	366380
684	467856	320013504	26.1534	8.8109	2.83506	1.46199	2148.8	367453
685	469225	321419125	26.1725	8.8152	2.83569	1.45985	2152.0	368528
686	470596	322828856	26.1916	8.8194	2.83632	1.45773	2155.1	369605
687	471969	324242703	26.2107	8.8237	2.83696	1.45560	2158.3	370684
688	473344	325660672	26.2298	8.8280	2.83759	1.45349	2161.4	371764
689	474721	327082769	26.2488	8.8323	2.83822	1.45138	2164.6	372845
690	476100	328509000	26.2679	8.8366	2.83885	1.44928	2167.7	373928
691	477481	329939371	26.2869	8.8408	2.83948	1.44718	2170.8	375013
692	478864	331373888	26.3059	8.8451	2.84011	1.44509	2174.0	376099
693	480249	332812557	26.3249	8.8493	2.84073	1.44300	2177.1	377187
694	481636	334255384	26.3439	8.8536	2.84136	1.44092	2180.3	378276
695	483025	335702375	26.3629	8.8578	2.84198	1.43885	2183.4	379367
696	484416	337153536	26.3818	8.8621	2.84261	1.43678	2186.5	380459
697	485809	338608873	26.4008	8.8663	2.84323	1.43472	2189.7	381553
698	487204	340068392	26.4197	8.8706	2.84386	1.43266	2192.8	382649
699	488601	341532099	26.4388	8.8749	2.84448	1.43062	2196.0	383746

Functions of Numbers, 700 to 799

No.	Square	Cube	Square Root	Cubic Root	Logarithm	1000 x Reciprocal	No.—Diameter	
							Circum.	Area
700	490000	343000000	26.4575	8.8790	2.84510	1.42857	2190.1	384845
701	491401	344472101	26.4764	8.8833	2.84572	1.42653	2202.3	385945
702	492804	345948408	26.4953	8.8875	2.84634	1.42450	2205.4	387047
703	494209	347428927	26.5141	8.8917	2.84696	1.42248	2208.5	388151
704	495616	348913664	26.5330	8.8959	2.84757	1.42045	2211.7	389256
705	497025	350402625	26.5518	8.9001	2.84819	1.41844	2214.8	390363
706	498436	351895816	26.5707	8.9043	2.84880	1.41643	2218.0	391471
707	499849	353393243	26.5895	8.9085	2.84942	1.41443	2221.1	392580
708	501264	354894912	26.6083	8.9127	2.85003	1.41243	2224.2	393692
709	502681	356400829	26.6271	8.9169	2.85065	1.41044	2227.4	394805
710	504100	357911000	26.6458	8.9211	2.85126	1.40845	2230.5	395919
711	505521	359425431	26.6646	8.9253	2.85187	1.40647	2233.7	397033
712	506944	360944128	26.6833	8.9295	2.85248	1.40449	2236.8	398153
713	508369	362467097	26.7021	8.9337	2.85309	1.40252	2240.0	399272
714	509796	363994344	26.7208	8.9378	2.85370	1.40056	2243.1	400393
715	511225	365525875	26.7395	8.9420	2.85431	1.39860	2246.2	401515
716	512656	367061696	26.7582	8.9462	2.85491	1.39665	2249.4	402639
717	514089	368601813	26.7769	8.9503	2.85552	1.39470	2252.5	403765
718	515524	370146232	26.7955	8.9545	2.85612	1.39276	2255.7	404892
719	516961	371694959	26.8142	8.9587	2.85673	1.39082	2258.8	406020
720	518400	373248000	26.8328	8.9628	2.85733	1.38889	2261.9	407150
721	519841	374805361	26.8514	8.9670	2.85794	1.38696	2265.1	408282
722	521284	376367048	26.8701	8.9711	2.85854	1.38504	2268.2	409415
723	522729	377933067	26.8887	8.9752	2.85914	1.38313	2271.4	410550
724	524176	379503424	26.9072	8.9794	2.85974	1.38122	2274.5	411687
725	525625	381078125	26.9258	8.9835	2.86034	1.37931	2277.7	412825
726	527076	382657176	26.9444	8.9876	2.86094	1.37741	2280.8	413965
727	528529	384240583	26.9629	8.9918	2.86153	1.37552	2283.9	415106
728	529984	385828352	26.9815	8.9959	2.86213	1.37363	2287.1	416248
729	531441	387420489	27.0000	9.0000	2.86273	1.37174	2290.2	417393
730	532900	389017000	27.0185	9.0041	2.86332	1.36986	2293.4	418539
731	534361	390617891	27.0370	9.0082	2.86392	1.36799	2296.5	419686
732	535824	392223168	27.0555	9.0123	2.86451	1.36612	2299.6	420835
733	537289	393832837	27.0740	9.0164	2.86510	1.36426	2302.8	421986
734	538756	395446904	27.0924	9.0205	2.86570	1.36240	2305.9	423138
735	540225	397065375	27.1109	9.0246	2.86629	1.36054	2309.1	424293
736	541696	398688256	27.1293	9.0287	2.86688	1.35870	2312.2	425447
737	543169	400315553	27.1477	9.0328	2.86747	1.35685	2315.4	426604
738	544644	401947272	27.1662	9.0369	2.86806	1.35501	2318.5	427762
739	546121	403583419	27.1846	9.0410	2.86864	1.35318	2321.6	428922
740	547600	405224000	27.2029	9.0450	2.86923	1.35135	2324.8	430084
741	549081	406869021	27.2213	9.0491	2.86982	1.34953	2327.9	431247
742	550564	408518488	27.2397	9.0532	2.87040	1.34771	2331.1	432412
743	552049	410172407	27.2580	9.0572	2.87099	1.34590	2334.2	433578
744	553536	411830784	27.2764	9.0613	2.87157	1.34409	2337.3	434746
745	555025	413493625	27.2947	9.0654	2.87216	1.34228	2340.5	435916
746	556516	415160936	27.3130	9.0694	2.87274	1.34048	2343.6	437087
747	558009	416832723	27.3313	9.0735	2.87332	1.33869	2346.8	438259
748	559504	418508992	27.3496	9.0775	2.87390	1.33690	2349.9	439433
749	561001	420189749	27.3679	9.0816	2.87448	1.33511	2353.1	440609

No.	Square	Cube	Square Root	Cubic Root	Logarithm	1000 x Reciprocal	No.—Diameter	
							Circum.	Area
750	562500	421875000	27.3861	9.0856	2.87506	1.33333	2356.2	441786
751	564001	423564751	27.4044	9.0896	2.87564	1.33156	2359.3	442965
752	565504	425260008	27.4226	9.0937	2.87622	1.32979	2362.5	444146
753	567009	426961777	27.4408	9.0977	2.87680	1.32802	2365.6	445328
754	568516	4286691064	27.4591	9.1017	2.87737	1.32626	2368.8	446511
755	570025	430382875	27.4773	9.1057	2.87795	1.32450	2371.9	447697
756	571536	432081216	27.4955	9.1098	2.87852	1.32275	2375.0	448883
757	573049	433798093	27.5136	9.1138	2.87910	1.32100	2378.2	450072
758	574564	435519512	27.5318	9.1178	2.87967	1.31926	2381.3	451262
759	576081	437245479	27.5500	9.1218	2.88024	1.31752	2384.5	452453
760	577600	438976000	27.5681	9.1258	2.88081	1.31579	2387.6	453646
761	579121	440711081	27.5862	9.1298	2.88138	1.31406	2390.8	454841
762	580644	442450728	27.6043	9.1338	2.88196	1.31234	2393.9	456037
763	582169	444194947	27.6225	9.1378	2.88252	1.31062	2397.0	457234
764	583696	445943744	27.6405	9.1418	2.88309	1.30890	2400.2	458434
765	585225	447697125	27.6586	9.1458	2.88366	1.30719	2403.3	459635
766	586756	449455096	27.6767	9.1498	2.88423	1.30548	2406.5	460837
767	588289	451217663	27.6948	9.1537	2.88480	1.30378	2409.6	462041
768	589824	452984832	27.7128	9.1577	2.88536	1.30208	2412.7	463247
769	591361	454756609	27.7308	9.1617	2.88593	1.30039	2415.9	464454
770	592900	456533000	27.7489	9.1657	2.88649	1.29870	2419.0	465663
771	594441	458314011	27.7669	9.1696	2.88705	1.29702	2422.2	466873
772	595984	460099648	27.7849	9.1736	2.88762	1.29534	2425.3	468085
773	597529	461889917	27.8029	9.1775	2.88818	1.29366	2428.5	469298
774	599076	463684824	27.8209	9.1815	2.88874	1.29199	2431.6	470513
775	600625	465484375	27.8388	9.1855	2.88930	1.29032	2434.7	471730
776	602176	467288576	27.8568	9.1894	2.88986	1.28866	2437.9	472948
777	603729	469097433	27.8747	9.1933	2.89042	1.28700	2441.0	474168
778	605284	470910952	27.8927	9.1973	2.89098	1.28535	2444.2	475389
779	606841	472729139	27.9106	9.2012	2.89154	1.28370	2447.3	476612
780	608400	474552000	27.9285	9.2052	2.89209	1.28205	2450.4	477836
781	609961	476379541	27.9464	9.2091	2.89265	1.28041	2453.6	479062
782	611524	478211768	27.9643	9.2130	2.89321	1.27877	2456.7	480290
783	613089	480048587	27.9821	9.2170	2.89376	1.27714	2459.9	481519
784	614656	4818800304	28.0000	9.2209	2.89432	1.27551	2463.0	482750
785	616225	483716625	28.0179	9.2248	2.89487	1.27389	2466.2	483982
786	617796	485558760	28.0357	9.2287	2.89542	1.27226	2469.3	485216
787	619369	4874044303	28.0535	9.2326	2.89597	1.27065	2472.4	486451
788	620944	4892536872	28.0713	9.2365	2.89653	1.26904	2475.6	487688
789	622521	491106969	28.0891	9.2404	2.89708	1.26743	2478.7	488927
790	624100	493039000	28.1069	9.2443	2.89763	1.26582	2481.9	490167
791	625681	494931671	28.1247	9.2482	2.89818	1.26422	2485.0	491409
792	627264	496893088	28.1425	9.2521	2.89873	1.26263	2488.1	492652
793	628849	498824257	28.1603	9.2560	2.89927	1.26103	2491.3	493897
794	630436	500826184	28.1780	9.2599	2.89982	1.25945	2494.4	495143
795	632025	50289875	28.1957	9.2638	2.90037	1.25786	2497.6	496391
796	633616	504933336	28.2135	9.2677	2.90091	1.25628	2500.7	497641
797	635209	506938573	28.2312	9.2716	2.90146	1.25471	2503.8	498892
798	636804	508916992	28.2489	9.2754	2.90200	1.25313	2507.0	500145
799	638401	510962399	28.2666	9.2793	2.90255	1.25156	2510.1	501399

Functions of Numbers, 800 to 899

No.	Square	Cube	Square Root	Cubic Root	Logarithm	1000 x Reciprocal	No. = Diameter	
							Circum.	Area
800	640000	512000000	28.2843	9.2832	2.90309	1.25000	2513.3	502655
801	641601	513922401	28.3019	9.2870	2.90303	1.24844	2516.4	503912
802	643204	515849608	28.3196	9.2909	2.90304	1.24688	2519.6	505171
803	644809	517781627	28.3373	9.2948	2.90307	1.24533	2522.7	506432
804	646416	519718494	28.3549	9.2986	2.90312	1.24378	2525.8	507694
805	648025	521660125	28.3725	9.3025	2.90317	1.24224	2529.0	508958
806	649636	523606536	28.3901	9.3063	2.90323	1.24070	2532.1	510223
807	651249	525557749	28.4077	9.3102	2.90329	1.23916	2535.3	511490
808	652864	527514112	28.4253	9.3140	2.90336	1.23762	2538.4	512758
809	654481	529475129	28.4429	9.3179	2.90343	1.23609	2541.5	514028
810	656100	531441000	28.4605	9.3217	2.90350	1.23457	2544.7	515300
811	657721	533411731	28.4781	9.3255	2.90357	1.23305	2547.8	516573
812	659344	535387328	28.4956	9.3294	2.90364	1.23153	2551.0	517848
813	660969	537367797	28.5132	9.3332	2.90371	1.23001	2554.1	519124
814	662596	539353144	28.5307	9.3370	2.90378	1.22850	2557.3	520402
815	664225	541343375	28.5482	9.3408	2.90385	1.22699	2560.4	521681
816	665856	543338496	28.5657	9.3447	2.90392	1.22549	2563.5	522962
817	667489	545338513	28.5832	9.3485	2.90399	1.22399	2566.7	524245
818	669124	547343432	28.6007	9.3523	2.90406	1.22249	2569.8	525529
819	670761	549353259	28.6182	9.3561	2.90413	1.22100	2573.0	526814
820	672400	551368000	28.6356	9.3599	2.90420	1.21951	2576.1	528102
821	674041	553387661	28.6531	9.3637	2.90427	1.21803	2579.2	529391
822	675684	555412248	28.6706	9.3675	2.90434	1.21655	2582.4	530681
823	677329	557441767	28.6880	9.3713	2.90441	1.21507	2585.5	531973
824	678976	559476224	28.7054	9.3751	2.90448	1.21359	2588.7	533267
825	680625	561515625	28.7228	9.3789	2.90455	1.21212	2591.8	534562
826	682276	563560078	28.7402	9.3827	2.90462	1.21065	2595.0	535858
827	683929	565609583	28.7576	9.3865	2.90469	1.20919	2598.1	537157
828	685584	567664144	28.7750	9.3902	2.90476	1.20773	2601.2	538456
829	687241	569723769	28.7924	9.3940	2.90483	1.20627	2604.4	539758
830	688900	571787400	28.8097	9.3978	2.90490	1.20482	2607.5	541061
831	690561	573856031	28.8271	9.4016	2.90497	1.20337	2610.7	542366
832	692224	575930668	28.8444	9.4053	2.90504	1.20192	2613.8	543671
833	693889	578009307	28.8617	9.4091	2.90511	1.20048	2616.9	544979
834	695556	580092944	28.8791	9.4129	2.90518	1.19904	2620.1	546288
835	697225	582181585	28.8964	9.4166	2.90525	1.19760	2623.2	547599
836	698896	584275232	28.9137	9.4204	2.90532	1.19617	2626.4	548912
837	700569	586373883	28.9310	9.4241	2.90539	1.19474	2629.5	550226
838	702244	588477532	28.9482	9.4279	2.90546	1.19332	2632.7	551541
839	703921	590586183	28.9655	9.4316	2.90553	1.19190	2635.8	552858
840	705600	592700840	28.9828	9.4354	2.90560	1.19048	2638.9	554177
841	707281	594821503	29.0000	9.4391	2.90567	1.18906	2642.1	555497
842	708964	596948168	29.0172	9.4429	2.90574	1.18765	2645.2	556818
843	710649	599080837	29.0344	9.4466	2.90581	1.18624	2648.4	558142
844	712336	601219504	29.0516	9.4503	2.90588	1.18483	2651.5	559467
845	714025	603364175	29.0688	9.4541	2.90595	1.18343	2654.6	560794
846	715716	605514848	29.0861	9.4578	2.90602	1.18203	2657.8	562122
847	717409	607671523	29.1033	9.4615	2.90609	1.18064	2660.9	563453
848	719104	609834200	29.1204	9.4652	2.90616	1.17925	2664.1	564788
849	720801	611990009	29.1376	9.4690	2.90623	1.17786	2667.2	566116
850	722500	614150000	29.1548	9.4727	2.90630	1.17647	2670.3	567447
851	724201	616315001	29.1719	9.4764	2.90637	1.17508	2673.4	568780
852	725904	618485008	29.1890	9.4801	2.90644	1.17369	2676.5	570115
853	727609	620660047	29.2062	9.4838	2.90651	1.17230	2679.6	571453
854	729316	622840086	29.2233	9.4875	2.90658	1.17091	2682.7	572794
855	731025	625025125	29.2404	9.4912	2.90665	1.16952	2685.8	574139
856	732736	627215164	29.2575	9.4949	2.90672	1.16813	2688.9	575480
857	734449	629410203	29.2746	9.4986	2.90679	1.16674	2692.0	576825
858	736164	631610242	29.2916	9.5023	2.90686	1.16535	2695.1	578172
859	737881	633815281	29.3087	9.5060	2.90693	1.16396	2698.2	579521
860	739600	636025320	29.3258	9.5097	2.90700	1.16257	2701.3	580872
861	741321	638240359	29.3428	9.5134	2.90707	1.16118	2704.4	582225
862	743044	640460398	29.3598	9.5171	2.90714	1.15979	2707.5	583580
863	744769	642685437	29.3769	9.5207	2.90721	1.15840	2710.6	584937
864	746496	644915476	29.3939	9.5244	2.90728	1.15701	2713.7	586297
865	748225	647145515	29.4109	9.5281	2.90735	1.15562	2716.8	587658
866	749956	649375554	29.4279	9.5317	2.90742	1.15423	2719.9	589021
867	751689	651605593	29.4449	9.5354	2.90749	1.15284	2723.0	590386
868	753424	653835632	29.4618	9.5391	2.90756	1.15145	2726.1	591753
869	755161	656065671	29.4788	9.5427	2.90763	1.15006	2729.2	593122
870	756900	658295710	29.4958	9.5464	2.90770	1.14867	2732.3	594493
871	758641	660525749	29.5127	9.5501	2.90777	1.14728	2735.4	595866
872	760384	662755788	29.5296	9.5537	2.90784	1.14589	2738.5	597241
873	762129	664985827	29.5466	9.5574	2.90791	1.14450	2741.6	598618
874	763876	667215866	29.5635	9.5610	2.90798	1.14311	2744.7	599997
875	765625	669445905	29.5804	9.5647	2.90805	1.14172	2747.8	601378
876	767376	671675944	29.5973	9.5683	2.90812	1.14033	2750.9	602761
877	769129	673905983	29.6142	9.5719	2.90819	1.13894	2754.0	604146
878	770884	676136022	29.6311	9.5756	2.90826	1.13755	2757.1	605533
879	772641	678366061	29.6479	9.5792	2.90833	1.13616	2760.2	606922
880	774400	680596100	29.6648	9.5828	2.90840	1.13477	2763.3	608313
881	776161	682826139	29.6816	9.5865	2.90847	1.13338	2766.4	609706
882	777924	685056178	29.6985	9.5901	2.90854	1.13199	2769.5	611101
883	779689	687286217	29.7153	9.5937	2.90861	1.13060	2772.6	612498
884	781456	689516256	29.7321	9.5973	2.90868	1.12921	2775.7	613897
885	783225	691746295	29.7489	9.6009	2.90875	1.12782	2778.8	615298
886	784996	693976334	29.7658	9.6046	2.90882	1.12643	2781.9	616699
887	786769	696206373	29.7825	9.6082	2.90889	1.12504	2785.0	618102
888	788544	698436412	29.7993	9.6118	2.90896	1.12365	2788.1	619507
889	790321	700666451	29.8161	9.6154	2.90903	1.12226	2791.2	620914
890	792100	702896490	29.8329	9.6190	2.90910	1.12087	2794.3	622323
891	793881	705126529	29.8496	9.6226	2.90917	1.11948	2797.4	623734
892	795664	707356568	29.8664	9.6262	2.90924	1.11809	2800.5	625147
893	797449	709586607	29.8831	9.6298	2.90931	1.11670	2803.6	626562
894	799236	711816646	29.8998	9.6334	2.90938	1.11531	2806.7	627979
895	801025	714046685	29.9165	9.6370	2.90945	1.11392	2809.8	629398
896	802816	716276724	29.9333	9.6406	2.90952	1.11253	2812.9	630819
897	804609	718506763	29.9500	9.6442	2.90959	1.11114	2816.0	632242
898	806404	720736802	29.9668	9.6477	2.90966	1.10975	2819.1	633667
899	808201	722966841	29.9833	9.6513	2.90973	1.10836	2822.2	635094



Functions of Numbers, 900 to 999

No.	Square	Cube	Square Root	Cubic Root	Logarithm	1000 x Reciprocal	No.—Diameter	
							Circum.	Area
900	810000	729000000	30.0000	9.6649	2.95424	1.11111	2827.4	636173
901	811801	731432701	30.0167	9.6585	2.95472	1.10988	2830.6	637587
902	813604	733870808	30.0333	9.6620	2.95521	1.10865	2833.7	639003
903	815409	736314327	30.0500	9.6656	2.95569	1.10742	2836.9	640421
904	817216	738763264	30.0666	9.6692	2.95617	1.10619	2840.0	641840
905	819025	741217625	30.0832	9.6727	2.95665	1.10497	2843.1	643261
906	820836	743677416	30.0998	9.6763	2.95713	1.10375	2846.3	644683
907	822649	746142643	30.1164	9.6799	2.95761	1.10254	2849.4	646107
908	824464	748613312	30.1330	9.6834	2.95809	1.10132	2852.6	647533
909	826281	751089429	30.1496	9.6870	2.95856	1.10011	2855.7	648960
910	828100	753571000	30.1662	9.6905	2.95904	1.09890	2858.8	650388
911	829921	756058031	30.1828	9.6941	2.95952	1.09769	2862.0	651818
912	831744	758550528	30.1993	9.6976	2.95999	1.09649	2865.1	653250
913	833569	761048497	30.2159	9.7012	2.96047	1.09529	2868.3	654684
914	835396	763551944	30.2324	9.7047	2.96095	1.09409	2871.4	656118
915	837225	766060875	30.2490	9.7082	2.96142	1.09290	2874.6	657555
916	839056	768575296	30.2655	9.7118	2.96190	1.09170	2877.7	658993
917	840889	771095213	30.2820	9.7153	2.96237	1.09051	2880.8	660433
918	842724	773620632	30.2985	9.7188	2.96284	1.08932	2884.0	661874
919	844561	776151559	30.3150	9.7224	2.96332	1.08814	2887.1	663317
920	846400	778688000	30.3315	9.7259	2.96379	1.08696	2890.3	664761
921	848241	781229961	30.3480	9.7294	2.96426	1.08578	2893.4	666207
922	850084	783777448	30.3645	9.7329	2.96473	1.08460	2896.5	667654
923	851929	786330467	30.3809	9.7364	2.96520	1.08342	2899.7	669103
924	853776	788889024	30.3974	9.7400	2.96567	1.08225	2902.8	670554
925	855625	791453125	30.4138	9.7435	2.96614	1.08108	2906.0	672006
926	857476	794022776	30.4302	9.7470	2.96661	1.07991	2909.1	673460
927	859329	796597983	30.4467	9.7505	2.96708	1.07875	2912.3	674915
928	861184	799178752	30.4631	9.7540	2.96755	1.07759	2915.4	676372
929	863041	801765089	30.4795	9.7575	2.96802	1.07643	2918.5	677831
930	864900	804357000	30.4959	9.7610	2.96848	1.07527	2921.7	679291
931	866761	806954491	30.5123	9.7645	2.96895	1.07411	2924.8	680752
932	868624	809557568	30.5287	9.7680	2.96942	1.07296	2928.0	682216
933	870489	812166237	30.5450	9.7715	2.96988	1.07181	2931.1	683680
934	872356	814780504	30.5614	9.7750	2.97035	1.07066	2934.2	685147
935	874225	817400375	30.5778	9.7785	2.97081	1.06952	2937.4	686615
936	876096	820025856	30.5941	9.7819	2.97128	1.06838	2940.5	688084
937	877969	822656963	30.6105	9.7854	2.97174	1.06724	2943.7	689555
938	879844	825293672	30.6268	9.7889	2.97220	1.06610	2946.8	691028
939	881721	827936010	30.6431	9.7924	2.97267	1.06496	2950.0	692502
940	883600	830584000	30.6594	9.7959	2.97313	1.06383	2953.1	693978
941	885481	833237621	30.6757	9.7993	2.97359	1.06270	2956.2	695455
942	887364	835896888	30.6920	9.8028	2.97405	1.06157	2959.4	696934
943	889249	838561807	30.7083	9.8063	2.97451	1.06045	2962.5	698415
944	891136	841232384	30.7246	9.8097	2.97497	1.05932	2965.7	699897
945	893025	843908625	30.7409	9.8132	2.97543	1.05820	2968.8	701380
946	894916	846590536	30.7571	9.8167	2.97589	1.05708	2971.9	702865
947	896809	849278123	30.7734	9.8201	2.97635	1.05597	2975.1	704352
948	898704	851971392	30.7896	9.8236	2.97681	1.05485	2978.2	705840
949	900601	854670340	30.8058	9.8270	2.97727	1.05374	2981.4	707330

No.	Square	Cube	Square Root	Cubic Root	Logarithm	1000 x Reciprocal	No.—Diameter	
							Circum.	Area
950	902500	857375000	30.8221	9.8305	2.97772	1.05263	2984.5	708822
951	904401	860085351	30.8383	9.8339	2.97818	1.05152	2987.7	710315
952	906304	862801408	30.8545	9.8374	2.97864	1.05042	2990.8	711809
953	908209	865523177	30.8707	9.8408	2.97909	1.04932	2993.9	713300
954	910116	868250664	30.8869	9.8443	2.97955	1.04822	2997.1	714803
955	912025	870983875	30.9031	9.8477	2.98000	1.04712	3000.2	716303
956	913936	873722816	30.9192	9.8511	2.98046	1.04603	3003.4	717804
957	915849	876467493	30.9354	9.8546	2.98091	1.04493	3006.5	719306
958	917764	879217912	30.9516	9.8580	2.98137	1.04384	3009.6	720810
959	919681	881974079	30.9677	9.8614	2.98182	1.04275	3012.8	722316
960	921600	884736000	30.9839	9.8648	2.98227	1.04167	3015.9	723823
961	923521	887503681	31.0000	9.8683	2.98272	1.04058	3019.1	725332
962	925444	890277128	31.0161	9.8717	2.98318	1.03950	3022.2	726842
963	927369	893056347	31.0322	9.8751	2.98363	1.03842	3025.4	728354
964	929296	895841344	31.0483	9.8785	2.98408	1.03734	3028.5	729867
965	931225	898632125	31.0644	9.8819	2.98453	1.03627	3031.6	731382
966	933156	901428696	31.0805	9.8854	2.98498	1.03520	3034.8	732899
967	935089	904231063	31.0966	9.8888	2.98543	1.03413	3037.9	734417
968	937024	907039232	31.1127	9.8922	2.98588	1.03306	3041.1	735937
969	938961	909853209	31.1288	9.8956	2.98632	1.03199	3044.2	737458
970	940900	912673000	31.1448	9.8990	2.98677	1.03093	3047.3	738981
971	942841	915498611	31.1609	9.9024	2.98722	1.02987	3050.5	740506
972	944784	918330048	31.1769	9.9058	2.98767	1.02881	3053.6	742032
973	946729	921167317	31.1929	9.9092	2.98811	1.02775	3056.8	743559
974	948676	924010424	31.2090	9.9126	2.98856	1.02669	3059.9	745088
975	950625	926859375	31.2250	9.9160	2.98900	1.02564	3063.1	746619
976	952576	929714176	31.2410	9.9194	2.98945	1.02459	3066.2	748151
977	954529	932574833	31.2570	9.9227	2.98989	1.02354	3069.3	749685
978	956484	935441352	31.2730	9.9261	2.99034	1.02249	3072.5	751221
979	958441	938313739	31.2890	9.9295	2.99078	1.02145	3075.6	752758
980	960400	941192000	31.3050	9.9329	2.99123	1.02041	3078.8	754296
981	962361	944076141	31.3209	9.9363	2.99167	1.01937	3081.9	755837
982	964324	946966168	31.3369	9.9396	2.99211	1.01833	3085.0	757378
983	966289	949862087	31.3528	9.9430	2.99255	1.01729	3088.2	758922
984	968256	952763904	31.3688	9.9464	2.99300	1.01626	3091.3	760466
985	970225	955671025	31.3847	9.9497	2.99344	1.01523	3094.5	762013
986	972196	958585256	31.4006	9.9531	2.99388	1.01420	3097.6	763561
987	974169	961504803	31.4166	9.9565	2.99432	1.01317	3100.8	765111
988	976144	964430272	31.4325	9.9598	2.99476	1.01215	3103.9	766662
989	978121	967361669	31.4484	9.9632	2.99520	1.01112	3107.0	768214
990	980100	970299000	31.4643	9.9666	2.99564	1.01010	3110.2	769769
991	982081	973242271	31.4802	9.9699	2.99607	1.00908	3113.3	771325
992	984064	976191488	31.4960	9.9733	2.99651	1.00806	3116.5	772882
993	986049	979146657	31.5119	9.9766	2.99695	1.00705	3119.6	774441
994	988036	982107784	31.5278	9.9800	2.99739	1.00604	3122.7	776002
995	990025	985074875	31.5436	9.9833	2.99782	1.00503	3125.9	777564
996	992016	988047936	31.5595	9.9866	2.99826	1.00402	3129.0	779128
997	994009	991026979	31.5753	9.9900	2.99870	1.00301	3132.2	780693
998	996004	994011992	31.5911	9.9933	2.99913	1.00200	3135.3	782260
999	998001	997002999	31.6070	9.9967	2.99957	1.00100	3138.5	783823

## Miscellaneous

### CLEANING AND PAINTING OVER WELDS

Discoloration, flaking, and blistering of paint over and immediately adjacent to welds are chronic problems. There are actually two problems here, caused by different conditions: 1. Paint flakes off. 2. Paint discolors and may eventually blister and peel. These problems may be caused by surface condition or by chemical action.

The surface can be impaired by dust, smoke film, iron oxide, grease, and similar materials which form a barrier between the paint and the surface, thus preventing the paint from properly bonding to the surface. A surface that has been burnished very smooth with a power wire brush may also prevent the paint from bonding properly.

The smoke and fumes of welding form a film on the surface of the plate which combines with moisture in the air. The resulting alkaline solution reacts with paint to produce discoloration and blistering. The effect increases with higher humidity.

### Effect of Processes and Electrodes

Submerged-arc welds produce few paint problems because the slag is nearly always removed, and the process leaves no smoke or iron-oxide film on the adjacent material.

Covered electrodes for welding cast iron and aluminum pick up moisture quickly, thus causing more chemical-reaction problems than do other electrodes. For practical purposes, most shielded metal-arc electrodes produce about the same chemical reaction. Any apparent differences usually result from differences in humidity conditions.

### Remedies

Cleaning is the obvious first step. Removal of slag, spatter, smoke film and iron-oxide film eliminates most paint-adhesion problems. Cleaning provides a surface to which the paint can bond, and removes most of the chemical-containing deposits. However, avoid burnishing the surface with a power wire brush.

If discoloration or blistering persists after normal cleaning, substitute a paint that is more alkaline-resistant, such as a vinyl, epoxy, or chlori-

nated-rubber base type. The alkaline surface can be neutralized by washing it with a mild solution of boric acid, followed by thorough rinsing with clear water.

Simply wiping the surface with a shop rag removes much of the film and improves paint bonding. Application of the paint with a brush instead of by spraying provides a better wetting action and forms a better bond.

Regardless of application method, the affected area should be painted as soon as possible after welding to reduce the time for moisture pick-up by the deposited film. Less moisture means less alkaline solution formed to attack the paint. Two coats, including an alkaline-resistant primer, are better than a single coat.

British and United States Shielded Metal-Arc  
Electrode Size Comparison Table

Metric		Gage		Approx. Fraction
mm	in.	No.	in.	in.
2	0.0787	14	0.080	5/64
2.5	0.0984	12	0.104	3/32
3.15	0.1240	10	0.128	1/8
3.25*	0.1280			
4	0.1576	8	0.160	5/32
5	0.1969	6	0.192	3/16
6*	0.2362	4	0.232	7/32
6.3	0.2481			1/4
8	0.3150	0	0.324	5/16
10	0.3937			3/8

\*The British Standard Institution in the Specifications for Covered Electrodes (BS 639:1969) proposes that, with the exception of the 3.15 and 6 mm sizes, the metric sizes in the first column become standard.

The 3.25 mm diameter is at present widely used and will be retained until such a time as it can be dropped through its lesser usage.

The 6 mm diameter is not a preferred size but it is included because the existing capacities of some welding equipment may make the use of 6.3 mm impractical.

## ETCHING SOLUTIONS FOR FERROUS ALLOYS

Used to Show	Composition of etching solution	Remarks
Recommended Ferric Chloride Solution Etching Agent for Macrostructure of Welds in Steel	$\text{FeCl}_3 - 6\text{H}_2\text{O}$ - 200 grams $\text{HNO}_3$ conc - 300 ml $\text{H}_2\text{O}$ - 100 ml	<p>Dissolve the ferric chloride in water, then add the <math>\text{HNO}_3</math> and mix thoroughly. Wet the surface of the specimen with the solution using a medicine dropper contained in a bottle. Etching takes one to five minutes depending on the quality of the surface and composition of metal. It should be done under a fume hood. At end of etching period, wash specimen carefully under running water, let drain and swab with methyl alcohol in order to speed drying and inhibit rusting of the surface.</p> <p>The Macrostructure of the weld is then clearly discernible.</p> <p>This works best when sample is at room temperature. Sample can be merely ground or sanded smooth, it does not have to be highly polished.</p>
For Macroscopic Examination Segregations	1 part conc. hydrochloric acid, $\text{HCl}$ 1 part water	Use at 100 to 212°F. Etch for 1/2 hour or until defects are brought out.
Segregations	5 g picric acid, $\text{HOC}_6\text{H}_2(\text{NO}_2)_3$ 100 cc ethyl alcohol, $\text{C}_2\text{H}_5\text{OH}$	Etch for 4 to 5 hours.
Phosphorus segregations	10 g cuprous ammonium chloride, $\text{CuCl-NH}_4\text{Cl-6H}_2\text{O}$ 100 cc water	This solution is more easily prepared than are most copper chloride solutions.
Phosphorus segregations	10 g cupric chloride, $\text{CuCl}_2$ 40 g magnesium chloried, $\text{MgCl}_2$ 20 cc hydrochloric acid, $\text{HCl}$ 180 cc water 1000 cc absolute alcohol, $\text{C}_2\text{H}_5\text{OH}$	Absolute methyl alcohol, $\text{CH}_3\text{OH}$ , may be used in place of ethly alcohol.
Variations in crystal structure, and segregations	20 g ammonium persulfate, $(\text{NH}_4)_2\text{S}_2\text{O}_8$ 100 cc distilled water	Use at room temperature. A very good reagent for the purpose indicated.
To reveal the structure of welds and to distinguish between steel and wrought iron	1 part conc. nitric acid, $\text{HNO}_3$ 3 parts of water	Use at about 100°F.
For Microscopic Examination The general structure of normal iron and steel	4 g picric acid and 95 cc of absolute alcohol, or 5 g picric acid and 100 cc of 95% alcohol, $\text{C}_2\text{H}_5\text{OH}$	Keep bottle well stoppered when absolute alcohol is used.
The general structure of normal iron and steel	5 cc nitric acid, $\text{HNO}_3$ 100 cc of ethyl alcohol, $\text{C}_2\text{H}_5\text{OH}$	For heat treated steels use a more dilute solution.
To establish the difference between hardened and normal steels	4 parts nitric acid, $\text{HNO}_3$ 96 parts iso-amyl alcohol, $\text{C}_5\text{H}_{11}\text{OH}$	
Sorbitic and troostitic constituents	1 part of a 40% solution of nitric acid in acetic anhydride 1 part methyl alcohol, $\text{CH}_3\text{OH}$ 1 part ethyl alcohol, $\text{C}_2\text{H}_5\text{OH}$ 1 part iso-amyl alcohol, $\text{C}_5\text{H}_{11}\text{OH}$	Colors troostite and troosto-sorbite.
Cementite and other carbides, and tungstites	2 g picric acid, $\text{HOC}_6\text{H}_2(\text{NO}_2)_3$ 24.5 g sodium hydroxide, $\text{NaOH}$ 73.5 cc water	Use boiling for 5 or 10 minutes. Tungsten carbide is unaffected, but other carbides and tungstides are colored.
Structure of stainless steels	10 g ferric chloride, $\text{FeCl}_2$ 30 cc hydrochloric acid, water to make total volume 120 cc	May be diluted, and applied gently with a piece of cotton. Time required is less than 30 seconds.

## ETCHING SOLUTIONS FOR FERROUS ALLOYS

Used to Show	Composition of etching solution	Remarks
Structure of stainless steels	30 cc hydrochloric acid, HCl 10 cc nitric acid, HNO <sub>3</sub> 80 cc glycerol (glycerine)	Use full strength for rapid work, but handle carefully.
Carbides and tungstides in high-speed and tungsten steels	10 g potassium ferricyanide, K <sub>3</sub> Fe(CN) <sub>6</sub> 10 g potassium hydroxide, KOH 100 cc water	Use hot.
Structure of high-speed steel and tungsten carbide	10 cc commercial hydrogen peroxide, H <sub>2</sub> O <sub>2</sub> 20 cc of a 10% aqueous sodium hydroxide (NaOH) solution	Use fresh from 10 to 12 minutes. Tungsten carbide is darkened.

## ETCHING SOLUTIONS FOR NON-FERROUS ALLOYS

Metal or Alloy	Composition of etching solution	Remarks
<b>Copper Base Alloys</b> Copper or Cu-Al alloys	5 g copper-ammonium chloride 120 cc water Add conc. ammonium hydroxide until the precipitate which forms is redissolved, giving a clear blue color.	Etch from 30 to 60 seconds; this is a very good copper etch.
Copper, brasses, Cu-Al alloys, German silver	A 10% solution of ammonium persulfate, (NH <sub>4</sub> ) <sub>2</sub> S <sub>2</sub> O <sub>8</sub>	Etch from 1 to 2 minutes. Keep the surface of the specimen free from grease.
Copper or brasses	10 cc hydrogen peroxide, H <sub>2</sub> O <sub>2</sub> 40 cc conc. ammonium hydroxide, NH <sub>4</sub> OH	Apply with a swab to the surface of polished specimen. Rub briskly until mirror-like surface is obtained.
Brasses (Used for copper products such as sheets, rods, etc.), Cu-Al alloys, German silver	15 cc of a saturated ferric chloride (FeCl <sub>3</sub> ) solution 30 cc concentrated hydrochloric acid, HCl 200 cc water	Use this solution after the ammoniacal peroxide solution above. Dip the specimen into this ferric chloride solution for a few seconds after following the directions above.
Cu-Al alloys	Nitric acid (HNO <sub>3</sub> ), sp. gr. 1.42	Time for etching is very short. It is difficult to control the intensity of the attack.
<b>Aluminum and Light Alloys</b> Al and Al alloys	0.5 to 20% hydrofluoric acid (HF) acid solutions. The aqueous or alcoholic solutions are used.	Etch for about 15 seconds. Remove the black deposit so formed by immersing for a short time in conc. nitric (HNO <sub>3</sub> ) acid. CuAl <sub>2</sub> and FeAl <sub>3</sub> are darkened by HF.
Aluminum	45 cc conc. hydrochloric acid, HCl 15 cc conc. nitric acid, HNO <sub>3</sub> 15 cc hydrofluoric acid, HF 25 cc hot water	This etch generally requires only a few seconds.
Al alloys	10 cc conc. nitric acid, HNO <sub>3</sub> 3 to 4 cc hydrofluoric acid, HF 86 to 87 cc hot water	
Al and Al alloys	10 to 20% aqueous sulfuric acid (H <sub>2</sub> SO <sub>4</sub> ) solution	Heat to 160°F., immerse specimen for a few seconds, quench in cold water. FeAl <sub>3</sub> is stained black.
Al and Al alloys	10 cc conc. hydrofluoric acid, HF 15 cc conc. hydrochloric acid, HCl 90 cc water	Etch from 30 to 90 seconds. Reveals grain size very clearly.
<b>Miscellaneous Metals and Alloys</b> Nickel and its alloys	150 cc of 70% nitric acid, HNO <sub>3</sub> 50 cc of 50% acetic acid, HC <sub>2</sub> H <sub>3</sub> O <sub>2</sub>	This is <i>Merica's solution</i> . It is very good for cast, cold drawn, and annealed nickel.
Nickel and its alloys	†20 to 40 cc of nitric acid, HNO <sub>3</sub> 30 to 40 cc of 75% acetic acid, HC <sub>2</sub> H <sub>3</sub> O <sub>2</sub> 30 to 40 cc acetone, (CH <sub>3</sub> ) <sub>2</sub> CO	This solution is very similar in action to the one above.
Magnesium and its alloys	2% aqueous nitric acid solution	Etch for about 10 seconds.

## PARALLELING ARC WELDERS

### What is Paralleling?

Paralleling consists of connecting the output of two, three, or more arc welding machines of the same model in parallel so the total available rated output equals the sum of the rated output of each machine at rated duty cycle.

### Why Parallel?

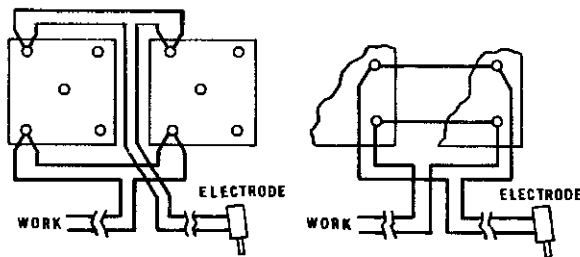
Machines are paralleled for two primary reasons:

1. For high current application when power sources of sufficient size are not readily obtainable.
2. To utilize existing power sources for operations which require higher output than the rating of any one available machine.

Applications utilizing paralleled welders include automatic and semiautomatic welding, stud welding, arc gouging, resistance heating, high current manual welding and others.

### Basic Requirements for Paralleling

1. Since improper paralleling or improper operation of paralleled machines can cause serious damage, the specific instructions for the equipment involved **MUST** be accurately and completely followed.
2. Welders to be paralleled must be the same size and model and must operate on the same input volts and frequency.
3. The control settings for each machine must be set for the same output so the current draw from each machine is the same.



4. Connect "like" output terminals (example: connect "Work" to "Work" and "Min to 525" to "Min to 525") together using equal lengths of welding cable. Use the size cable recommended for the rated output current and duty cycle of the welder. Interconnect motor-generator and engine welders per instructions on the specific connection diagram for the models being used.
5. When they are to be connected to a wire feeder, the paralleled power sources must be interconnected with the wire feeder per the appropriate connection diagram available from the manufacturer. (See sample request form below.)

### Paralleling Motor-Generator Welders

**CAUTION:** The proper paralleling instructions must be followed for the specific equipment involved. Improper paralleling can result in one generator driving the other as an unloaded DC motor. If this occurs, the driven machine increases speed until it literally destroys itself and endangers personnel and nearby equipment. Therefore, special precautions must be taken to insure safe operation. In all instances, contact your local welding equipment representative for assistance before paralleling.

### REQUEST FOR PARALLELING ASSISTANCE (Suggested Form)

Company \_\_\_\_\_

Required Output Current, Voltage and Operating Factor \_\_\_\_\_

Purpose:  Automatic welding — Process  Submerged Arc;  Innershield; or  Other \_\_\_\_\_

Wire Feeders  LAF-3;  LAF-4;  LAF-5;  LT-34;  NA-2; or

Other \_\_\_\_\_

Semiautomatic Welding — Process \_\_\_\_\_

Wire Feeders  LN-6;  Other \_\_\_\_\_

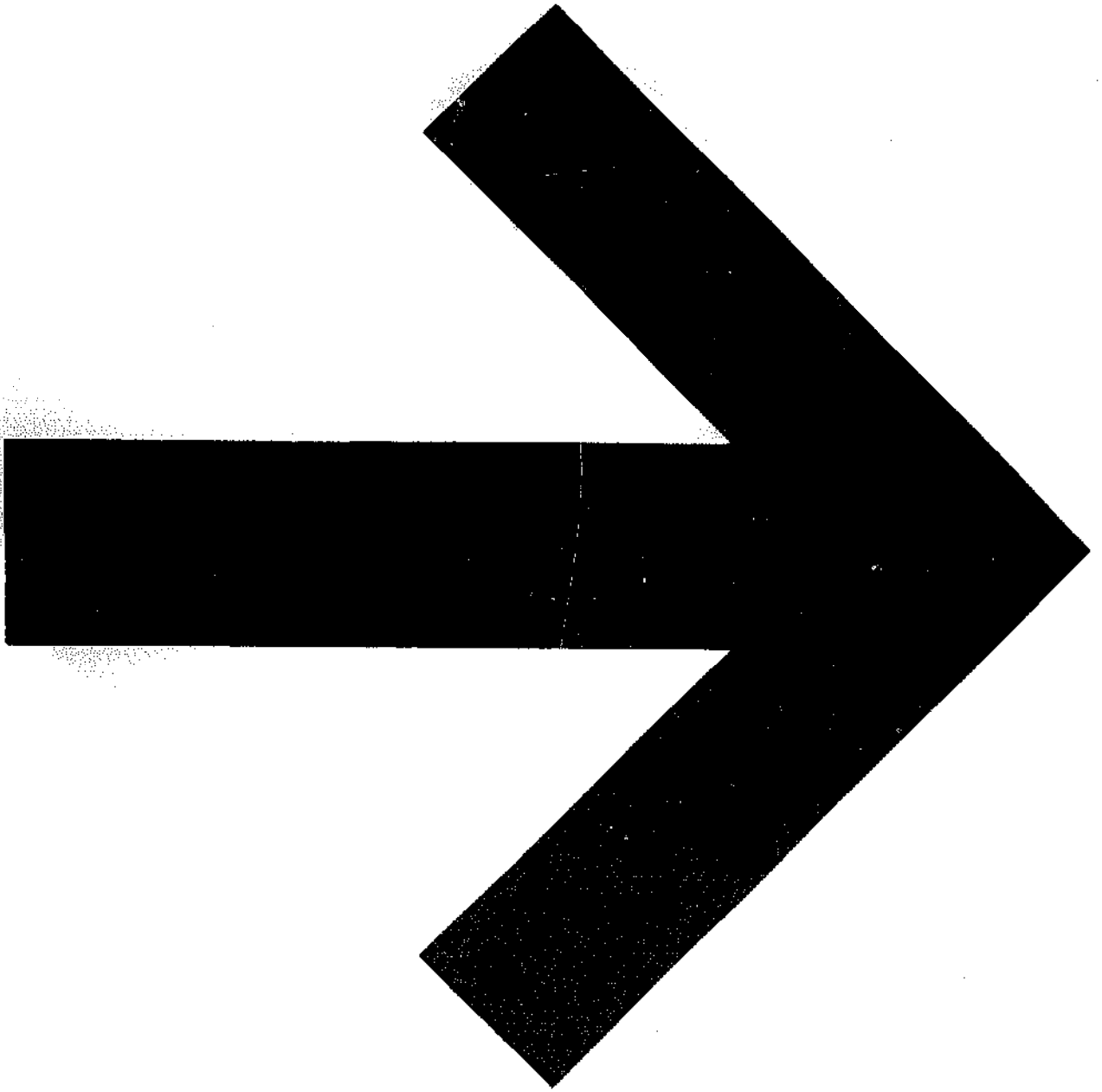
Stick Electrode Welding;  Stud Welding;  Arc Gouging;  Resistance Heating

Other \_\_\_\_\_

Number of power sources to be paralleled \_\_\_\_\_

Description of Lincoln power sources to be paralleled:

	Machine No. 1	Machine No. 2	Machine No. 3
Input volts/ph/hertz	_____	_____	_____
Model and size	_____	_____	_____
Code Number	_____	_____	_____
Serial Number	_____	_____	_____



## Index

## —A—

- Abrasion resistance ..... 13.7-19, 20  
 Acceptability, weld ..... 11.1-3  
 AC or DC, choosing ..... 4.2-7, 8; 6.3-2, 3  
 AC TIG welding ..... 9.4-3 — 5  
 Aircraft fabrication ..... 2.4-3, 4  
 Allowables  
   compressive stress (AISC) ..... 2.1-9, 10  
   shear stress (AISC-AWS) ..... 2.3-1, 2  
   weld metal (AISC-AWS) ..... 2.3-2, 3  
   fatigue (AISC) ..... 2.3-7  
 Alloy fluxes ..... 13.7-14 — 16  
 Alloying elements in steel ..... 6.1-3  
 Aluminum and aluminum alloys  
   alloy types ..... 9.1-1  
   weldability ..... 9.1-1 — 6  
   welding via shielded metal-arc ..... 9.2-1, 2  
   welding via gas metal-arc ..... 9.3-1 — 10  
   welding via gas tungsten-arc ..... 9.4-1 — 11  
 Angle of twist ..... 2.1-16, 17  
 Appearance, weld ..... 6.2-17, 18; 9.4-3, 8  
 Arc blow ..... 3.2-1 — 5; 4.4-9  
 Arc gouging ..... 13.5-1 — 4  
 Arc heating ..... 4.3-10 — 12  
 Arc shielding ..... 1.3-1, 2; 5.1-2, 3; 5.2-1;  
   5.3-1; 5.4-1, 3, 4  
 Arc starting ..... 4.4-9 — 11; 5.4-4; 6.4-6; 7.3-3;  
   7.5-2; 9.2-2; 9.4-7, 8  
 Arc voltage ..... 6.4-7 — 9; 6.5-2  
 Arc-welding fundamentals ..... 1.3-1; 3.2-1 — 5;  
   5.1-2, 3; 5.3-1  
 Argon shielding ..... 4.1-17, 18; 9.3-6, 7  
 Assembly, weldment ..... 2.1-4, 5  
 Atomic hydrogen welding ..... 5.6-4, 5  
 Austenitic manganese steels ..... 13.7-4, 5  
 Austenitic stainless steels ..... 7.1-2, 3, 6 — 9, 12; 13.7-5  
 Automatic welding ..... 4.3-7 — 10; 6.3-20 — 22;  
   6.4-9 — 11; 7.5-2, 3

## —B—

- Back blow ..... 3.2-3, 4  
 Backstep welding ..... 3.1-6  
 Backup methods ..... 2.2-6; 4.4-7, 8; 7.3-2; 9.2-2  
 Bending loading ..... 2.1-10 — 14  
 Bibliographies  
   welded design ..... 2.1-44  
   stainless steel ..... 7.1-12  
   welding safety ..... 15.1-5  
 Brinell hardness, measuring ..... 1.2-6  
 Buckling and twisting ..... 3.1-13, 14  
 Burnthrough ..... 2.1-42; 5.2-5  
 "Buttering" ..... 7.2-5; 8.1-5

## —C—

- Cables, welding ..... 4.3-1, 2; 13.8-3  
 Camber, control of ..... 3.1-8, 15  
 Carbide precipitation ..... 7.1-8  
 Carbon-arc welding ..... 1.1-2; 4.3-11; 10.1-8; 13.2-2  
 Carbon dioxide shielding ..... 4.1-18, 19  
 Carbon, effect of ..... 6.1-2  
 Carbon equivalents ..... 3.3-3  
 Carbon steels  
   compositions ..... 6.1-10  
   low carbon ..... 6.1-10, 11  
   medium and high carbon ..... 6.1-11, 12  
   structural ..... 6.1-12  
   high-strength, low-alloy ..... 6.1-12 — 16  
   high-strength, quenched and tempered ..... 6.1-17 — 19  
 Carbon steels, welding  
   via self-shielded metal-arc ..... 6.2-1 — 54  
   via submerged-arc ..... 6.3-1 — 74  
   via self-shielded flux-cored process ..... 6.4-1 — 42  
   via gas-shielded flux-cored process ..... 6.5-1 — 6  
   via gas metal-arc ..... 6.6-1 — 4  
   via gas tungsten-arc ..... 6.7-1, 2  
 Cast iron  
   types ..... 8.1-1  
   welding ..... 8.1-1 — 6  
 Cast steel, welding ..... 8.2-1 — 4  
 Charpy impact test ..... 1.2-5, 6  
 Chemical analysis ..... 11.2-15, 16  
 Chromium carbides ..... 13.7-2 — 4  
 Chromium steels ..... 6.1-20  
 Circumferential welding ..... 6.3-10 — 13;  
   6.4-8; 13.7-18, 19  
 Clad steels, welding ..... 13.6-1 — 8  
 Clamping ..... 4.4-6, 7  
 Cleaning  
   weldment ..... 2.1-5  
   joints in carbon steel ..... 6.3-16  
   joints in stainless steel ..... 7.2-3, 4  
   joints in cast iron ..... 8.1-4  
   aluminum surfaces ..... 9.1-5, 6; 9.2-2; 9.4-7  
   tungsten electrodes ..... 9.4-6  
   welded surfaces ..... 16.1-63  
 Clothing, protective ..... 15.1-2  
 Codes and specifications  
   definitions ..... 2.4-1  
   governing organizations ..... 2.4-1, 2  
   applications covered ..... 2.4-2 — 5  
 Cold cracking ..... 8.2-2  
 Compression loading ..... 2.1-8, 9  
 Compressive strength ..... 1.2-1, 3  
 Consumables, welding ..... 4.1-1 — 20  
 Containers, welding ..... 15.1-3

Conversion factors	16.1-31 — 38
Cooling rates	3.3-1; 6.1-4 — 6; 13.7-11
Cooling systems	9.3-3, 4
Copper and copper alloys	
welding	10.1-1 — 8
properties	10.1-3
overlays	13.7-7
Copper, effect of	6.1-3
Corner welds	2.2-1
Costs, welding	12.1-1 — 11
Cover plates	2.1-38, 39
Cracking, weld	6.1-4 — 10; 6.2-19; 6.3-18, 19; 8.2-2; 9.1-1, 2; 11.2-8 — 15; 13.7-12, 13
Craters, weld	11.1-5
Current variations, effect of	6.3-3, 4; 6.4-9, 11

## — D —

DCSP TIG welding	9.4-9 — 11
Defects, weld	7.3-3; 8.1-3; 11.1-3 — 5; 11.2-1, 8; 11.3-7 — 9; 13.6-7
Deflection	2.1-7, 8, 15
Density	1.2-6
Deposition rates	5.2-3, 4; 5.3-2; 6.2-13; 6.4-4; 6.5-2; 6.6-1, 2; 7.3-3; 7.4-3; 7.5-3; 12.1-8 — 10
Design formulas	2.1-7
Designing	
by equivalent sections	2.1-22 — 27
from load conditions	2.1-27, 28
qualitative vs. quantitative methods	2.1-29 — 31
meeting a design problem	2.1-31, 32
sources of trouble	2.1-32 — 39
problem identification	2.1-37
for efficient fabrication	2.1-39 — 42
Design procedures	2.1-20 — 43
Destructive testing	11.2-16, 17
Diagonal bracing	2.1-20
Distortion	
causes of	3.1-1 — 4
control	2.5-5; 3.1-4 — 19; 7.2-5; 13.7-14
Double-ending	13.3-7, 8
Drag angle	6.4-6, 7, 10
Dross	9.3-5, 6
Drying low-hydrogen electrodes	6.2-12, 13
Ductile iron	8.1-1, 6
Ductility	1.2-2, 3; 9.1-3
Duty cycle	4.2-1

## — E —

Edge preparation	2.2-6 — 8; 6.3-19; 10.1-3; 13.6-2, 5, 6
Edge welds	6.3-10
Elasticity	
modulus of	1.2-1 — 3, 5
effect on distortion	3.1-4
Electrical conductivity	1.2-6
Electrode angle	6.3-8; 6.4-6, 7; 6.5-3; 9.4-7
Electrodes	
historical development	1.1-3 — 9
classification	4.1-1 — 17; 6.4-1 — 3
mild and low-alloy steel	4.1-1 — 8
color identification system	4.1-1, 2; 7.2-2
manual covered	4.1-1 — 4; 5.1-3; 6.2-1 — 15

submerged-arc	4.1-5, 6; 7.3-2
flux-cored	4.1-6 — 8; 6.4-1 — 4; 6.4-14
gas metal-arc	4.1-6 — 9
stainless steel	4.1-8 — 10; 7.2-1 — 6; 7.3-2; 7.4-4
cast iron	4.1-10, 11; 8.1-2
cast steel	8.2-3, 4
aluminum	4.1-11; 9.2-1; 9.4-9, 10
copper and copper alloy	4.1-11, 17; 10.1-2, 3
ASTM steels	6.2-4 — 7
fast-freeze	6.2-7, 8
fast-fill	6.2-8 — 10
fast-follow	6.2-10, 11
low-hydrogen	6.2-11 — 13
alloy-steel	6.2-13 — 15
tungsten	6.7-1
TIG torch	9.4-5, 6
line pipe	13.3-1, 2
arc gouging	13.5-2, 3
clad steels	13.6-3, 4
Electrode consumption	12.1-4, 5; 13.3-4 — 6
Electrode holders	4.3-2, 3
Electrode size	6.2-17; 6.3-1, 2, 14
Electrode gas welding	5.4-4; 5.6-2; 6.5-5, 6
Electroslag welding	5.6-1, 2
Elongation	1.2-1 — 3
Equipment, welding	4.2-1 — 8; 4.3-1 — 12; 6.3-19 — 22; 6.4-4 — 6; 6.6-2; 9.4-9; 13.1-1, 2; 13.8-1; 14.1-1 — 8
Etching solutions	16.1-64, 65

## — F —

Face shields	15.1-1
Fast-fill	5.5-2 — 4; 6.2-1; 6.2-8 — 10
Fast-follow (fill-freeze)	5.5-2 — 4; 6.2-1; 6.2-10, 11; 6.4-9, 10
Fast-freeze	5.5-2 — 4; 6.2-1; 6.2-7, 8
Fatigue allowables (AISC)	2.3-3 — 7
Fatigue cracking	2.1-38, 39
Fatigue strength	1.2-1 — 4
Ferritic stainless steels	7.1-3, 4
Filler metals	
for stainless steels	7.2-3, 4; 7.5-2
for aluminum alloys	9.1-2 — 5
Fillet welds	2.2-1 — 5; 2.3-1 — 7; 6.1-7; 6.2-3; 6.3-8, 9; 6.3-18, 19
Fire prevention	15.1-2, 3
Fitup	4.4-6, 7; 5.3-3; 6.2-16; 6.4-6
Fixtures	2.1-4; 2.1-43; 3.2-5; 4.4-1 — 12; 5.5-6
Flame shrinking	3.1-3; 3.1-16, 17
Flame straightening	3.1-3; 3.1-16
Flash-through	5.2-5
Flux, magnetic	3.2-4
Flux, recovery	6.3-17
Fluxes, submerged-arc	4.1-6, 7; 5.2-1; 6.3-16, 17; 7.3-2; 13.7-14 — 16
Flux supports	6.3-11 — 13
Forge welding	1.1-1
Forming	2.1-3; 2.1-43
Formulas	
design	2.1-7
deflection	2.1-7, 8; 2.1-21



radius of gyration	2.1-9
unit shear on fillet weld	2.1-11
torsional resistance	2.1-16
angular twist	2.1-17
torsional properties, closed sections	2.1-17
inertia	2.1-21
modulus of elasticity	3.1-7
transverse weld shrinkage	3.1-8
angular distortion	3.1-8
longitudinal distortion	3.1-9
carbon equivalent	3.3-3
heat input	3.3-3
cost of labor	12.1-2, 10
cost of welding materials	12.1-2
operating factor	12.1-3
weight of electrode consumed	12.1-5
time to make weld	12.1-8
melt-off rate	12.1-8
weight of weld metal deposited	12.1-10
time for multi-pass weld	12.1-10
Full-alloy welding	13.6-5, 6
Functions of numbers	16.1-53 - 62

## — G —

Galvanized steel, welding	13.2-1, 2
Gases, shielding	1.1-7; 4.1-17 - 20
MIG welding of aluminum	9.3-6, 7
TIG welding of aluminum	9.4-9, 10
Gas flow	6.5-3; 9.3-6, 7
Gas metal-arc (MIG) welding	1.1-8; 4.1-17 - 20; 5.4-2 - 4
carbon and low-alloy steels	6.6-1 - 4
stainless steels	7.4-1 - 4
aluminum and aluminum alloys	9.3-1 - 10
copper and copper alloys	10.1-5, 6
galvanized steel	13.2-2
clad steels	13.6-6
Gas-shielded flux-cored welding	5.4-1, 2; 6.5-1 - 6
Gas tungsten-arc (TIG) welding	1.1-7; 4.1-17 - 20; 4.3-10, 11; 5.4-4, 5
carbon and low-alloy steels	6.7-1, 2
stainless steels	7.5-1 - 3
aluminum and aluminum alloys	9.4-1 - 11
copper and copper alloys	10.1-6 - 8
clad steels	13.6-6
Globular transfer	5.4-3; 6.6-1
Gouging	13.5-1 - 4
Gray iron	8.1-1, 2
Groove-fillet combination welds	2.2-2 - 4
Groove joints	2.2-5 - 8; 6.1-7 - 9; 6.3-19; 7.3-1, 2
Ground effect	3.2-2
Grounding	4.3-3, 4; 4.4-8, 9; 6.3-14
Guide tips	6.4-5, 6
Guns, semiautomatic	1.1-7; 4.3-4 - 6; 5.4-1; 6.3-20; 6.4-5

## — H —

Hardenability, total	3.3-3
Hardness of metals	1.2-1, 6; 8.2-2; 13.7-2, 3
conversion tables	16.1-47 - 51
Hardness testing	11.2-17
Hardsurfacing	13.7-1 - 20

Heat effects	1.3-4; 6.1-3, 4; 8.2-2; 9.1-1; 9.3-3, 4
Heat input	3.1-7; 3.3-1 - 3; 6.1-19; 9.1-2
Heat-treatable steels	13.7-5, 6
Helium shielding	4.1-17, 18; 9.3-6, 7
History	
fusion joining	1.1-1 - 10
covered electrode	1.1-3 - 5
arc-welding processes	1.1-2 - 10
Hot cracking	8.2-2; 9.1-1, 2
Hot-wire welding	5.6-5; 7.5-3
Hydrogen	9.3-2, 3
Hydrostatic testing	11.2-17

## — I —

Impact data conversion table	16.1-37
Impact strength	1.2-1, 5, 6; 13.7-19, 20
Ingot iron	13.2-3
(See self-shielded flux-cored)	
Innershield welding	1.1-8, 9
Inspection and testing	2.1-5, 6; 11.2-1 - 17
Installation, weld equipment	14.1-1 - 3
Intermittent welds	2.1-34; 2.2-6; 3.1-6; 11.1-5
Interpass temperatures	3.3-2 - 4; 6.2-17; 8.2-3; 13.4-5
Iron-powder electrodes	6.2-9
Izod test	1.2-6

## — J —

Jigs and fixtures	2.1-4; 2.1-43; 3.1-14, 15, 17; 3.2-5; 4.4-1 - 12; 9.2-2
Joint cleanliness	6.2-16; 6.3-16; 7.2-3, 4
Joint design	2.1-3, 4; 2.2-1 - 8; 6.2-16; 6.3-6 - 8; 6.6-2, 3; 7.2-4; 7.3-1, 2; 9.1-2; 9.4-10; 13.4-2 - 4; 13.6-2 - 7
Joint position	3.1-14; 6.2-15; 9.2-2
Joint preparation	6.2-16; 8.1-4; 13.6-1 - 3
Joint requirements	5.5-2 - 7; 6.2-1 - 3
Joint restraint	6.1-6 - 9

## — L —

Lamellar cracking	6.1-9
Lap welds	6.3-9; 6.3-17
Layout, weldment design	2.1-2, 3; 2.1-39, 40
Leak detection	11.2-14, 16, 17
Lenses, face shield	15.1-1, 2
Linc-Fill welding	5.6-5
Lincoln preheat calculator	3.3-3
Liquid-penetrant inspection	11.2-13, 14
Loading	
determining load conditions	2.1-2
types of	2.1-8 - 18
Long stickout	1.3-4; 5.6-5; 6.3-5, 6; 6.4-5
Low-alloy steels	6.1-20 - 22
Low-hydrogen electrodes	1.1-6; 6.2-11 - 13

## — M —

Magnetic arc blow	3.2-1 - 3
Magnetic fields (flux)	3.2-1 - 4
Magnetic-particle inspection	11.2-10 - 13
Maintenance, welding equipment	14.1-1 - 7
Malleable iron	8.1-1, 2
Manganese, effects of	6.1-2
Manipulators, welding	4.4-1 - 12
Manual welding	5.1-1 - 4
Martensitic stainless steels	7.1-5 - 11; 13.7-5

Materials, efficient use of	2.1-39 — 41
Material selection	2.1-21, 22
Mechanical properties	1.2-1 — 6
deposited steel weld metal	6.2-2
submerged-arc weld metal	6.3-1
flux-cored electrode weld metal	6.4-2
CO <sub>2</sub> -shielded flux-cored weld metal	6.5-1
ferritic stainless steels	7.1-4
austenitic stainless steels	7.1-4
martensitic stainless steels	7.1-7
stainless steel weld metal	7.2-2, 3
copper and copper alloys	10.1-3
Mechanical testing	11.2-16, 17
Mechanized travel units	4.3-6, 7
Mechanized welding	(see Automatic welding; Equipment, welding; and Fixtures)
Melting points	1.2-7, 8
Melt-off rates	5.2-2; 6.3-3; 12.1-8
Metallographic tests	11.2-16
Metals, sources of information on	2.4-4
Metal transfer	1.3-3; 4.1-18; 5.1-2; 5.4-2 — 4; 6.6-1; 7.4-1, 2, 4
MIG welding	1.1-8; 4.1-17 — 20; 5.4-2 — 4
Modulus of elasticity	1.2-1 — 3; 3.1-4
Modulus of resilience	1.2-5
Molybdenum steels	6.1-21, 22
Moment of inertia	2.1-11, 12
Motor generators	4.2-5 — 7
Multiple arcs	3.2-3; 6.3-13 — 15 6.3-20 — 22; 7.5-3

## — N —

Narrow-gap welding	5.6-5
Neutral axis	2.1-10; 3.1-6
Nickel steels	6.1-20
Nickel-chromium steels	6.1-20
Nondestructive testing	11.2-4, 5
Nomographs	
inertial of beam under bending load	2.1-12
section modulus of beam under bending load	2.1-13
steel vs. cast iron for rigidity	2.1-25
Nodular iron	8.1-1, 6
Notch impact strength	1.2-6

## — O —

Operating factor	12.1-2, 3
Operation, welding equipment	14.1-1 — 6
Overwelding	2.1-33, 34; 3.1-5
Oxyacetylene welding	1.1-1

## — P —

Paralleling arc welders	16.1-66
Painting over welds	16.1-63
Peening	3.1-7; 8.2-3
Penetrameters	11.2-7
Penetration	2.3-2; 5.5-2 — 4; 6.2-19; 9.4-2
Phosphorus, effect of	6.1-3
Physical properties of metals	1.2-6 — 8
Pipeline welding	13.3-1 — 9
API qualification tests	11.3-35 — 38; 13.3-8, 9
Piping and tubing	
AWS qualification tests	11.3-15 — 24
Pipe thawing	13.8-1 — 3

Plasma arc	
definition	1.3-2, 3
heating and welding	4.3-11, 12; 5.6-3, 4
Plate preparation	2.1-3
Plug welds	6.3-9, 10
Porosity, weld	5.2-5; 6.2-13, 18, 19; 6.3-15 — 18; 6.6-1, 2; 8.2-2; 9.3-2 — 5; 9.4-4; 11.1-4, 5
Positioners	2.1-4
Postweld heat treatment	6.3-15; 7.1-9; 8.2-3
Power sources	4.2-1 — 8
classification	4.2-1, 2
selecting	4.2-7, 8
for metal-arc welding	5.1-3, 4; 7.2-6
for self-shielded flux-cored welding	6.4-4
for gas tungsten-arc	7.5-2; 9.4-4, 5
for arc gouging	13.5-3
Prebending	3.1-6
Precipitation hardening	7.1-9 — 12
Preheating	3.3-1 — 7; 6.2-17; 6.3-15; 7.1-9; 8.1-2, 4; 8.2-2, 3; 9.1-2; 9.2-1, 2; 9.4-8; 13.4-5; 13.6-8; 13.7-11, 12
Prequalified joints	11.3-11 — 15
Pressure vessels and piping	
applicable codes and specifications	2.4-2, 3; 3.3-7
Procedure qualification	11.3-1 — 38
Procedures, welding	
basic guidelines	2.1-5
data sheets	6.2-22; 6.3-25; 6.4-15
shielded metal-arc with steel	6.2-21 — 54
submerged-arc with steel	6.3-23 — 74
self-shielded flux-cored with steel	6.4-13 — 42
gas-shielded flux-cored with steel	6.5-4, 5
gas metal-arc with steel	6.6-3, 4
gas tungsten-arc with steel	6.7-1, 2
shielded metal-arc with stainless	7.2-6 — 8
submerged-arc with stainless	7.3-2 — 4
gas metal-arc with stainless	7.4-1, 2
gas tungsten-arc with stainless	7.5-1
gas metal-arc with aluminum	9.3-7 — 10
gas metal-arc with copper	10.1-6
gas tungsten-arc with silicon bronze	10.1-7
gas tungsten-arc with copper	10.1-8
prequalified joints	11.3-14
line pipe welding	13.3-3, 4, 6 — 8
reinforcing-bar welding	13.4-4, 5
with clad steels	13.6-1 — 7
hardsurfacing	13.7-16 — 19
pipe thawing	13.8-2, 3
Processes, welding	
history of development	1.1-2 — 10
carbon-arc	1.1-2; 4.3-11
shielded metal-arc	5.1-1 — 4
submerged-arc	5.2-1 — 6
self-shielded flux-cored	5.3-1 — 4
gas-shielded flux-cored	5.4-1, 2
gas metal-arc	5.4-2 — 4
gas tungsten-arc	5.4-4, 5
selection	5.5-1 — 7
electroslag	5.6-1, 2
electrode gas	5.6-2
stud-arc	5.6-2, 3
plasma-arc	5.6-3, 4
atomic hydrogen	5.6-4, 5

hot-wire .....	5.6-5
narrow-gap .....	5.6-5
master chart of .....	16.1-30
Prooftesting .....	11.2-16, 17
Production considerations .....	5.5-6
Proportional elastic limit .....	1.2-2
Protective equipment .....	4.3-12; 15.1-1, 2
Pulsed-arc transfer .....	7.4-4

## — Q —

Quality, weld .....	6.2-21; 6.3-23; 6.4-13; 9.1-3; 9.3-1 — 6; 11.1-1 — 5
Qualification tests .....	11.3-1 — 38
AWS buildings and bridges .....	11.3-1 — 15
AWS piping and tubing .....	11.3-15 — 24
ASME boiler and pressure vessel .....	11.3-24 — 35
API pipeline .....	11.3-35 — 38; 13.3-8, 9
How to pass .....	11.3-8 — 10
Quench hardness .....	8.2-2
Quenched and tempered steels .....	3.3-4 — 6; 6.1-17 — 19

## — R —

Radial forces .....	2.1-36, 37
Radiographic inspection .....	11.2-6 — 10; 11.3-7, 8
Radius of gyration .....	2.1-9
Reactive additions to shielding gases .....	4.1-17 — 20
Redesign .....	
by equivalent sections .....	2.1-22 — 27
by nomographs .....	2.1-25 — 27
Reinforcing bars, welding .....	13.4-1 — 6
Repair welding .....	8.1-3 — 6; 8.2-1 — 4
Resistance welding .....	1.1-1
Rigidity .....	
equivalent rigidity factors .....	2.1-23
conversion via nomographs .....	2.1-25, 26
Rockwell hardness measuring .....	1.2-6
Rods, welding .....	
Cr and Cr-Ni .....	4.1-9, 10
for cast iron .....	4.1-10
for aluminum .....	4.1-11
for copper and copper alloys .....	4.1-11 — 17

## — S —

Safety practices .....	13.1-3, 4; 13.5-4; 15.1-1 — 5
Schaeffler diagram .....	7.1-7
Scott connection .....	3.2-4; 4.2-4
Section thickness, effects of .....	6.1-5, 6
Selection .....	
fixture .....	4.4-3 — 6
welding process .....	5.5-1 — 7
process chart .....	5.5-7
electrodes for stainless steel .....	7.2-2, 3
electrodes for cast iron .....	8.1-2, 3
electrodes for cast steel .....	8.2-3, 4
electrodes for aluminum and aluminum alloys .....	9.2-1
hardsurfacing materials .....	13.7-7 — 10
Self-shielded flux-cored process .....	5.3-1 — 4; 6.4-1 — 42
Semiaustenitic steels .....	7.1-11; 13.7-4
Semiautomatic guns .....	1.1-7; 4.3-4 — 6; 5.4-1; 6.3-20; 6.4-5
Semiautomatic welding .....	5.3-1 — 4; 6.3-19, 20
Shear loading .....	2.1-11
Shear strength .....	1.2-1, 3

Sheet metal .....	
joints .....	6.2-3, 15
welding .....	6.2-11, 15
Shielding, arc .....	1.3-1, 2; 5.1-2, 3; 5.2-1; 9.3-5
Shielded metal-arc process .....	5.1-1 — 4
welding carbon and low-alloy steels .....	6.2-1 — 54
welding stainless steels .....	7.2-1 — 8
welding aluminum and aluminum alloys .....	9.2-1, 2
welding copper and copper alloys .....	10.1-3 — 5
welding clad steels .....	13.6-2 — 6
welding galvanized steel .....	13.2-1, 2
Ship construction .....	
welding history .....	1.1-6
applicable codes and specifications .....	2.4-4, 5
Shore scleroscope hardness .....	1.2-6
Short-circuiting transfer (Short-arc welding) .....	4.1-19; 5.4-3; 6.6-1; 7.4-2
Shrinkage .....	
as a cause of distortion .....	3.1-2, 3
used constructively .....	3.1-3; 3.1-16, 17
control of .....	3.1-4 — 7
calculating in welds .....	3.1-7 — 9
Sigma phase .....	7.1-6
Silicon, effect of .....	6.1-3
Sizing of welds .....	2.1-4; 2.2-4, 5; 2.3-1, 2
Slag removal .....	6.3-12, 13; 6.4-6
Spalling .....	13.7-11
Splatter .....	6.2-18
Specifications .....	
in design .....	2.1-31, 32
for intermittent welds .....	2.1-34, 35
Speeds, comparative welding .....	6.3-1
Spitting, electrode .....	9.4-6
Spot checking .....	11.2-17
Spray-arc transfer .....	5.4-2 — 4; 6.6-1; 7.4-1, 2, 4
Stabilized stainless steels .....	7.1-8, 9
Stainless steels .....	
compositions and grades .....	7.1-1 — 12
weldability .....	7.1-1 — 12
welding via shielded metal-arc .....	7.2-1 — 8
welding via submerged-arc .....	7.3-1 — 4
welding via gas metal-arc .....	7.4-1 — 4
welding via gas tungsten-arc .....	7.5-1 — 3
Steels .....	
AISI designation system .....	6.1-2, 10
specifications .....	6.1-1 — 3
AISI-SAE compositions .....	6.1-10
low-carbon .....	6.1-10, 11
medium and high carbon .....	6.1-11, 12
structural carbon .....	6.1-12
high-strength, low-alloy .....	6.1-12 — 17
ASTM specifications .....	6.1-13 — 16
SAE specifications .....	6.1-16, 17
quenched and tempered .....	6.1-17, 18
ASTM specifications .....	6.1-18
low-alloy .....	6.1-19, 20
stainless .....	7.1-12
pipe .....	13.3-1
reinforcing-bar .....	13.4-1
Steel specification .....	
by chemistry .....	6.1-1 — 3
by mechanical properties .....	6.1-3
by end product .....	6.1-3
reinforcing bars .....	13.4-1

- Stick-electrode welding ..... 5.1-1 - 4  
 Stickout, electrical ..... 6.4-5, 6, 9; 6.5-3;  
 (see Long stickout)  
 Stiffeners ..... 2.1-19  
 Stiffness, nomograph ..... 2.1-12  
 Storage tanks  
   applicable codes and specifications ..... 2.4-3  
 Strength  
   equivalent strength factor ..... 2.1-24  
   nomograph ..... 2.1-13  
   of aluminum alloys ..... 9.1-3  
   underwater welds ..... 13.1-1  
 Stress analysis ..... 2.1-33  
 Stress failure ..... 13.7-12, 13  
 Stress raisers ..... 1.2-4; 2.1-35, 36  
 Stress relief ..... 3.1-7, 18; 3.3-7; 13.6-8  
 Stress-strain ..... 1.2-2 - 5  
 Strongbacks ..... 3.1-17, 18  
 Structural steels  
   carbon ..... 6.1-12  
   high-strength, low-alloy ..... 6.1-12 - 17  
   quenched and tempered alloy ..... 6.1-17 - 20  
 Stud welding ..... 5.6-2, 3  
 Studding ..... 8.1-5, 6  
 Subassemblies, weldment ..... 2.1-4, 43  
 Submerged-arc welding ..... 1.1-7; 4.3-8 - 10; 5.2-1 - 5  
   carbon and low-alloy steels ..... 6.3-1 - 74  
   stainless steels ..... 7.3-1 - 4  
   clad steels ..... 13.6-6  
 Sulfur  
   effect in steels ..... 6.1-2  
   segregation ..... 6.3-17  
 Symbols  
   design formula ..... 2.1-0  
   cost equation ..... 12.1-2  
   standard welding (AWS) ..... 16.1-25 - 29
- T —
- Tandem arc welding ..... 6.3-13, 15, 22  
 Techniques, welding  
   shielded metal arc, carbon and  
     low-alloy steels ..... 6.2-8 - 12  
   submerged-arc, carbon and  
     low-alloy steels ..... 6.3-2 - 15  
   submerged-arc, carbon and low-alloy  
     steels with multiple arcs ..... 6.3-13 - 15  
   semiautomatic self-shielded flux-cored,  
     carbon and low-alloy steels ..... 6.4-6 - 9  
   full-automatic self-shielded flux-cored,  
     carbon and low-alloy steels ..... 6.4-9 - 11  
   shielded metal-arc, stainless ..... 7.2-4, 5  
   submerged-arc, stainless ..... 7.3-3  
   shielded metal-arc, aluminum ..... 9.2-2  
   gas metal-arc, aluminum ..... 9.3-7  
   AC TIG, aluminum ..... 9.4-7 - 9  
   DCSP TIG, aluminum ..... 9.4-9 - 11  
   DCRP TIG, aluminum ..... 9.4-11  
   underwater ..... 13.1-2, 3  
   galvanized steel ..... 13.2-1, 2  
   pipeline ..... 13.3-2 - 8  
   clad steels ..... 13.6-1 - 7  
   hardsurfacing ..... 13.7-10 - 19  
 Temperature conversion tables ..... 16.1-52  
 Temperatures, preheat and interpass ..... 3.3-1 - 5
- Tensile strength ..... 1.2-1, 2  
 Tension loading ..... 2.1-8  
 Terms and definitions, arc-welding ..... 16.1-1 - 24  
 Tests  
   tensile ..... 1.2-1, 2  
   mechanical properties, flux-cored welds ..... 6.4-2  
   AWS procedure qualification ..... 11.3-1 - 3  
   AWS weldor qualification ..... 11.3-2 - 6  
   AWS welding operator qualification ..... 11.3-6  
   AWS qualification tests for piping  
     and tubing ..... 11.3-15 - 24  
   ASME qualification tests for pipe  
     and plate ..... 11.3-24 - 35  
   API qualification tests for pipeline  
     welding ..... 11.3-35 - 38  
   abrasion and impact resistance ..... 13.7-19, 20  
 Thawing water pipes ..... 13.8-1 - 3  
 Thermal arc blow ..... 3.2-3  
 Thermal conductivity  
   definition ..... 1.2-6  
   of commercial metals ..... 1.2-7  
   effect on shrinkage ..... 3.1-4  
 Thermal expansion ..... 1.2-7; 3.1-3  
 TIG welding ..... 1.1-7; 4.1-17 - 20; 4.3-10, 11; 5.4-4, 5  
 Time, welding ..... 3.1-7  
 TIG, welding ..... 1.1-7; 4.1-17 - 20;  
   4.3-10, 11; 5.4-4, 5  
 Time, welding ..... 3.1-7  
 Timers, synchronous ..... 4.4-9 - 11  
 Tolerances, manufacturing ..... 2.1-39  
 Torches  
   TIG ..... 9.4-5; 5.4-4, 5  
   arc-gouging ..... 13.5-4  
 Torsional loading ..... 2.1-15 - 18  
 Toughness of metals ..... 1.2-5  
 Transfer of forces ..... 2.1-19, 36, 37  
 Travel speed, arc ..... 6.2-15; 6.3-4, 5, 14, 18;  
   6.4-9 - 11; 6.5-2, 3; 9.1-2  
 Trouble-shooting ..... 6.2-17 - 19; 6.3-26, 27;  
   6.4-9; 13.5-4; 14.1-6, 7  
 Tubular sections ..... 2.1-17  
 Tungsten carbide ..... 13.7-1, 2  
 Tungsten inert-gas welding ..... 1.1-7; 4.1-17 - 20;  
   4.3-10, 11; 5.4-4, 5  
 Twin-electrode welding ..... 4.3-7 - 9; 6.3-21, 22
- U —
- Ultimate energy resistance ..... 1.2-5  
 Ultrasonic inspection ..... 11.2-14, 15  
 Underbead cracking ..... (see Cracking)  
 Undercut ..... 6.2-18; 11.1-4, 5  
 Underwater welding ..... 13.1-1 - 4
- V —
- Ventilation ..... 15.1-4, 5  
 Vertical-down welding ..... 13.3-2 - 4  
 Vertical-up welding ..... 6.4-11; 13.3-4 - 6  
 Visibility, arc ..... 5.5-6  
 Visual inspection ..... 11.2-1 - 5  
 Voltage  
   constant ..... 4.2-2; 4.2-6; 6.3-22  
   variable ..... 4.2-2, 5, 6; 5.1-4; 6.3-21  
   effect of variations ..... 6.3-3 - 5; 6.4-7, 8; 6.5-2

## — W —

Water piping, specifications for ..... 2.4-3  
 Weights of steel shapes ..... 16.1-43 — 46  
 Weights of steel weld metal ..... 12.1-3 — 8  
 Weldability  
   carbon and low-alloy steels ..... 6.1-1 — 20; 6.2-21;  
     6.3-23; 6.4-13, 14  
   stainless steels ..... 7.1-1 — 12  
   aluminum and aluminum alloys ..... 9.1-1 — 6  
   copper and copper alloys ..... 10.1-1  
 Weld bead metallurgy ..... 6.1-3, 4  
 Welded design  
   general considerations ..... 2.1-1  
   factors that affect ..... 2.1-2 — 6  
   design approach ..... 2.1-6, 20  
   for strength and rigidity ..... 2.1-7  
   evolution of a design ..... 2.1-28, 29  
   qualitative vs. quantitative methods ..... 2.1-29 — 31  
   meeting a design problem ..... 2.1-31, 32  
 Welders ..... 4.2-1 — 8  
   AC transformer ..... 4.2-2 — 4  
   alternators ..... 4.2-4  
   AC-DC transformer-rectifiers ..... 4.2-4, 5  
   DC generators ..... 4.2-5, 6

    selection ..... 4.2-7, 8  
 Welding arc ..... 1.3-2, 3  
 Welding circuit, basic ..... 1.3-1  
 Welding currents  
   choice of ..... 1.3-3, 4  
   types for submerged-arc ..... 6.3-2, 3  
 Welding heads ..... 4.3-7 — 10; 4.4-4 — 6; 5.4-2  
 Welding operator qualification ..... (see Qualification tests)  
 Welding sequence ..... 3.1-6, 11, 12  
 Welding techniques ..... (see Techniques, welding)  
 Weldment layout ..... 2.1-2, 3; 2.1-39 — 41  
 Weldor qualification ..... (see Qualification tests)  
 Weld reinforcement ..... 2.2-2 — 4  
 Weld types ..... 2.1-33; 2.2-1 — 5  
 White iron ..... 8.1-1  
 Wire data ..... 16.1-39 — 41  
 Wire feeding ..... 4.3-4 — 10; 6.3-19, 20; 6.4-5

## — X —

X-ray examination ..... (see Radiographic inspection)

## — Y —

Yield strength ..... 1.2-1, 2; 3.1-4

