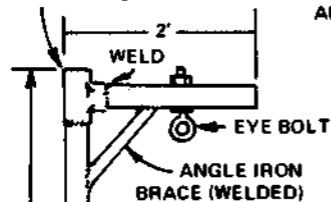


TEE FITTING

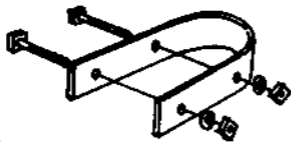
**TOOL USED FOR REMOVAL
AND INSTALLATION OF WIND
GENERATORS MADE FROM
2" WATER PIPE**



8' TO 11'

HOLES FOR
BRACKET
ADJUSTMENT

2" STRAP IRON BRACKET



SLOTTED TO FIT OVER TOWER BRACE

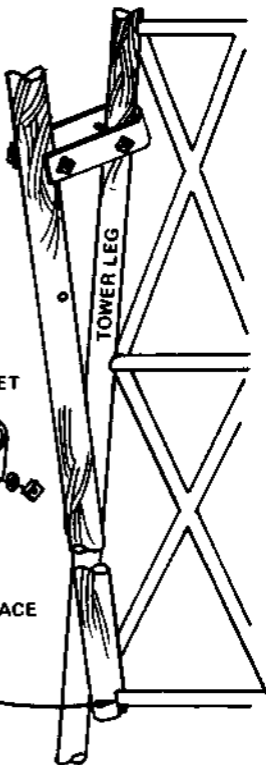


FIGURE 4-1

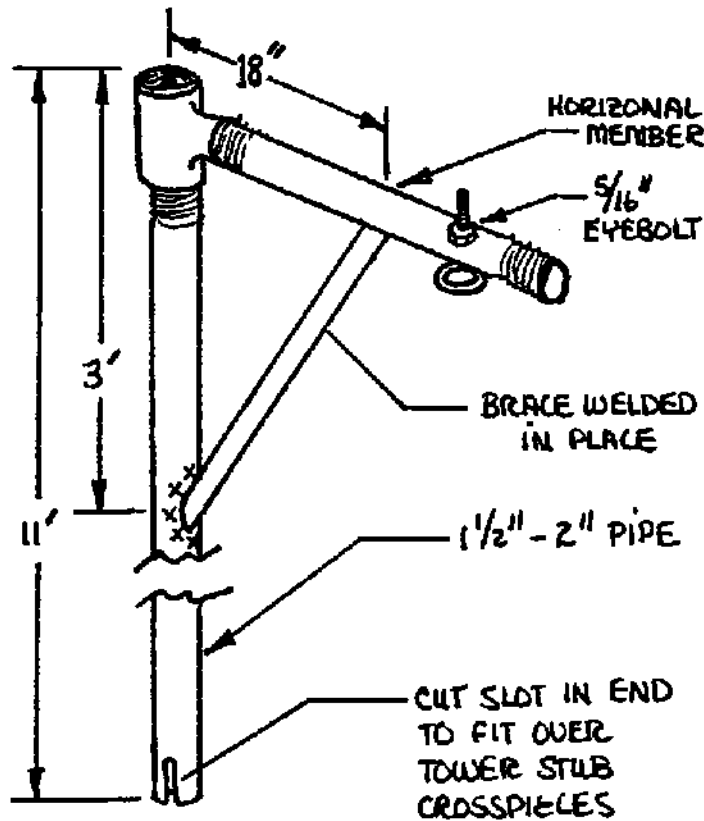


FIGURE 4-2

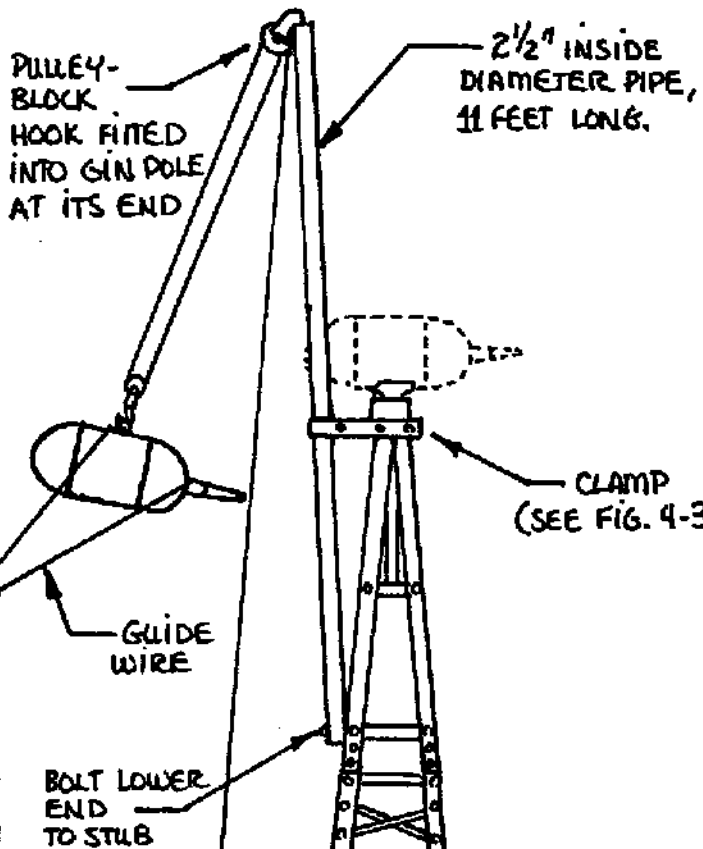


Figure 4-3

A: Clamps for 3-leg towers

B: Clamps for 4-leg towers

C: Clamps for emergency purposes - use with caution

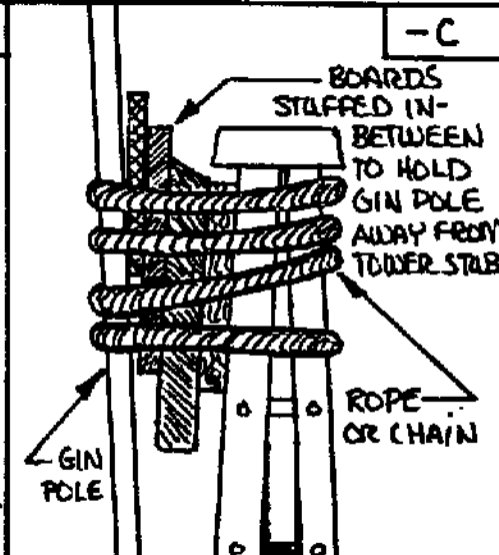
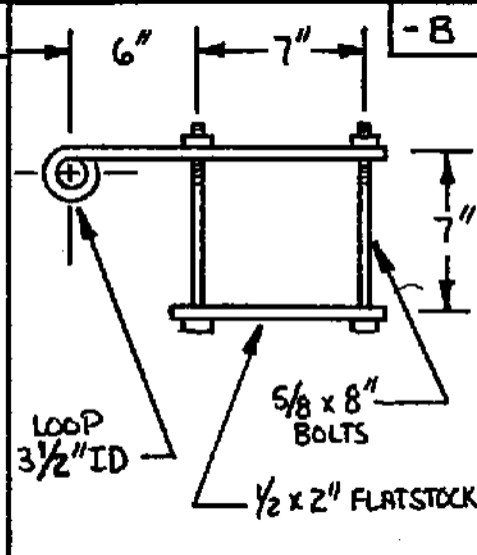
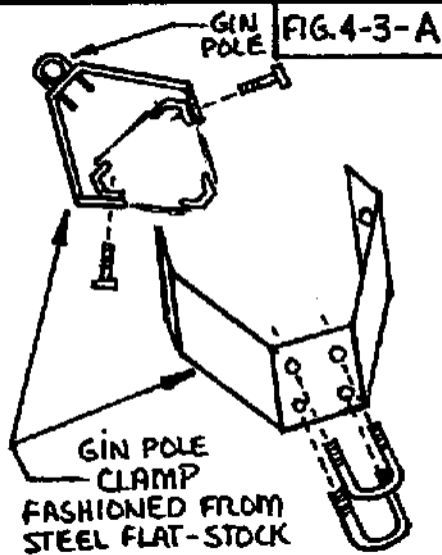


FIGURE 4-4

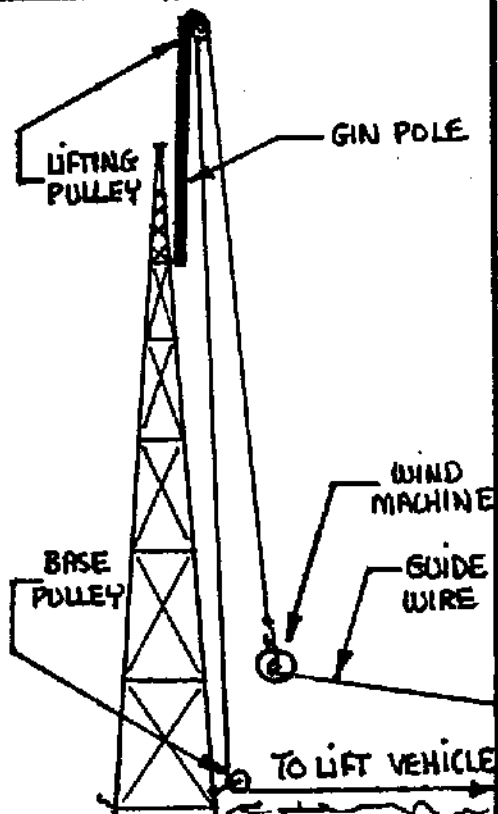


FIGURE 4-5

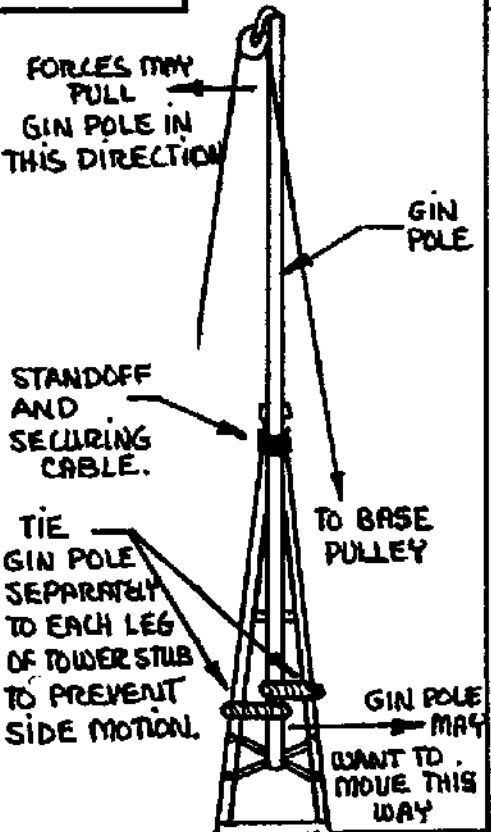


FIGURE 4-6

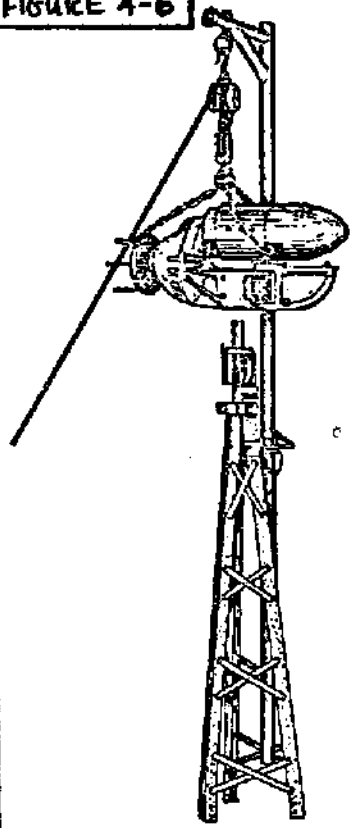


FIGURE 4-7

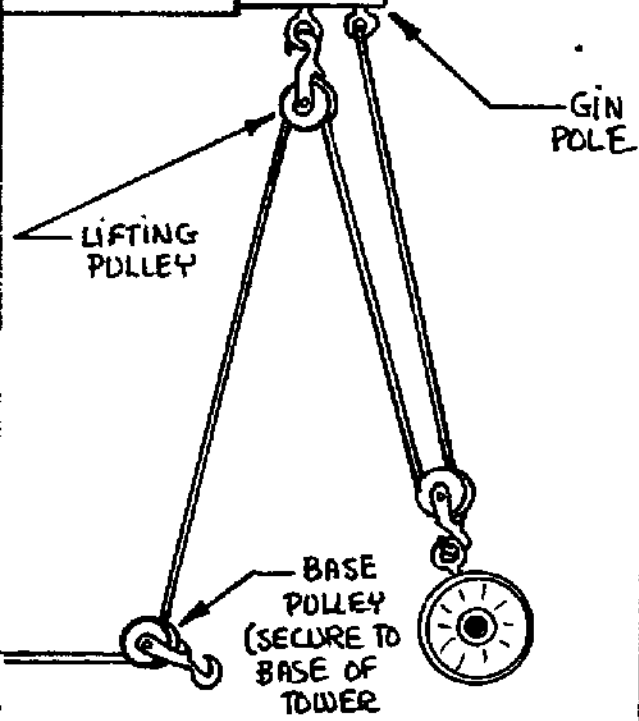


FIGURE 4-8

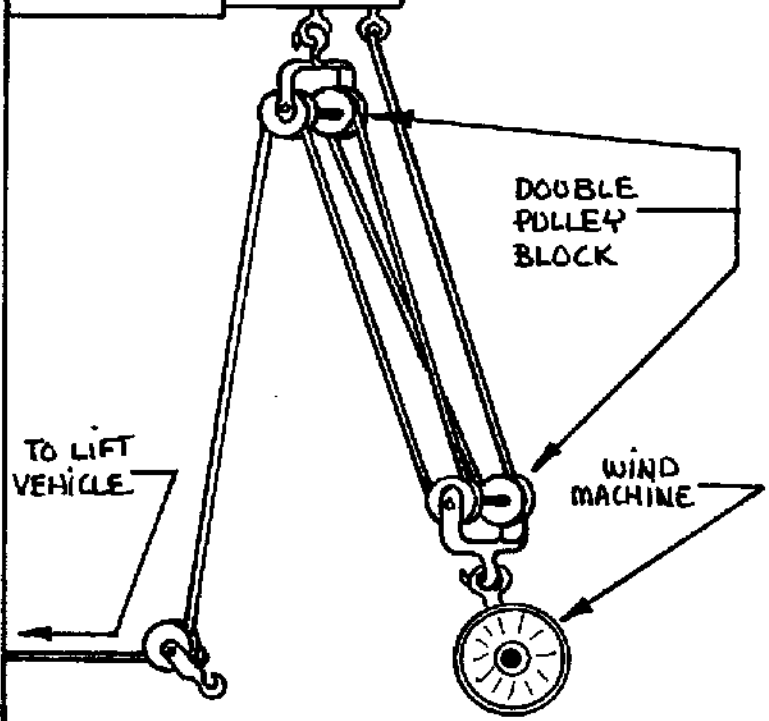


FIGURE 4-11

