

24 Ft. Dia. Sailing Windmill

Upper & Lower Delivery Pipe Support Arms & Clamps And Teakwood Piston Pump

PROJECT TITLE: 24 Ft. Dia. Sailing Windmill

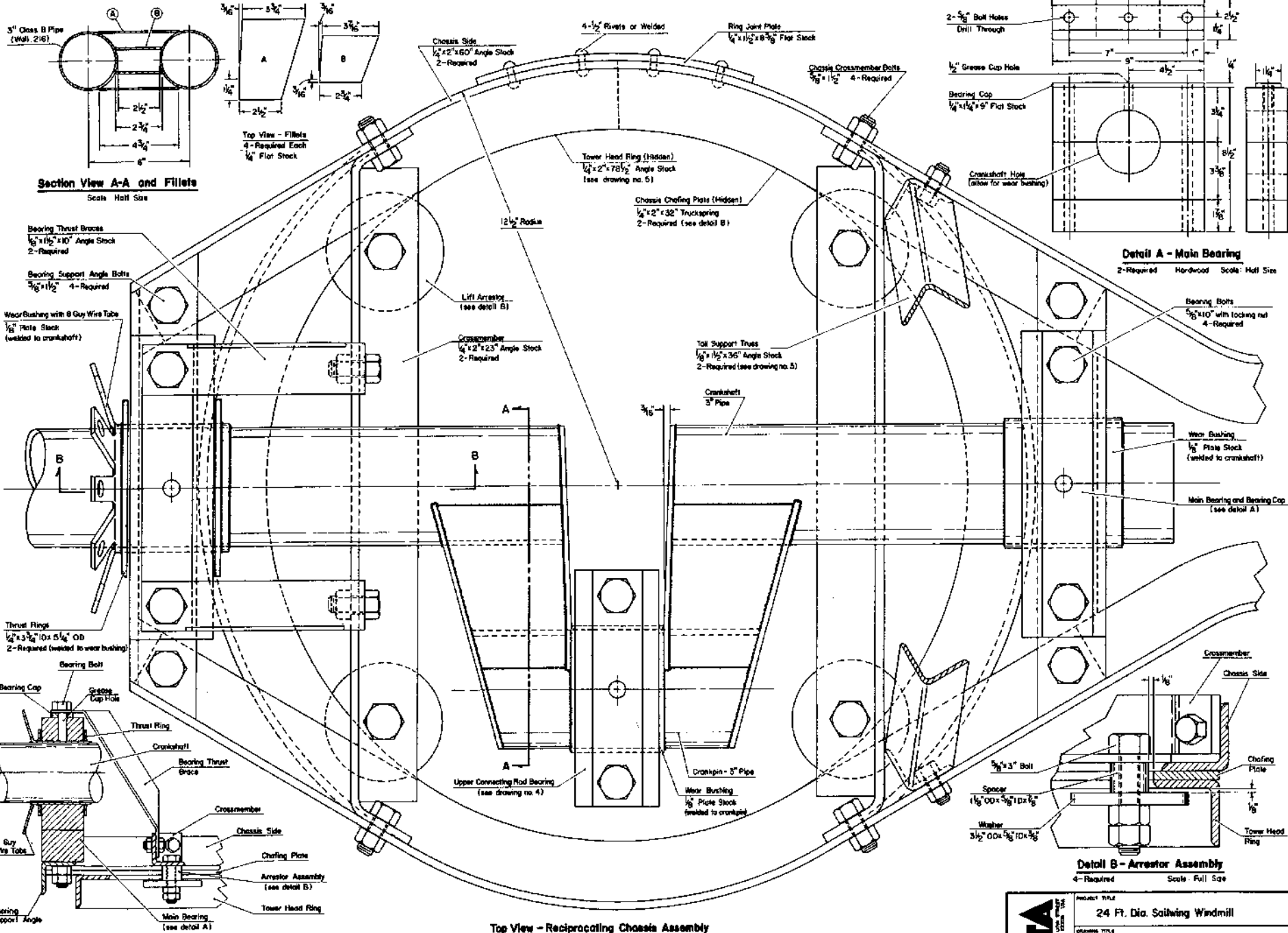
DESIGNED BY: W. Smith

DRAWN BY: W. Orsini

APPROVED BY: SCALE

DATE: 1958

PROJECT NUMBER: 1



Section View A-A and Fillets

Scale: Half Size

Detail A - Main Bearing

2-Required Hardwood Scale: Half Size

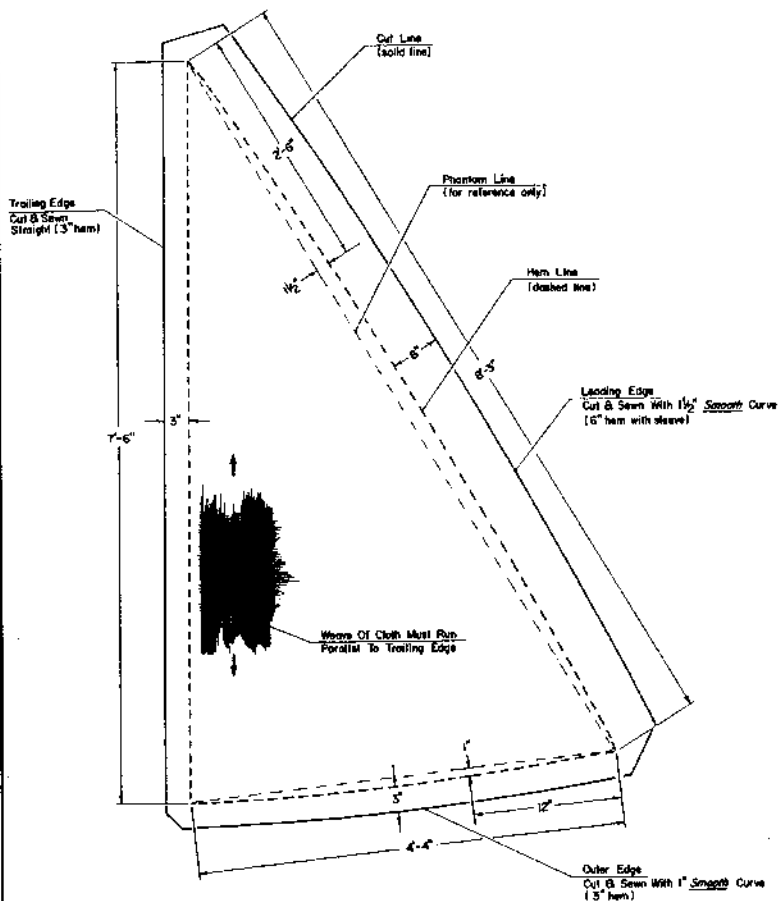
Detail B - Arrester Assembly

4-Required Scale: Full Size

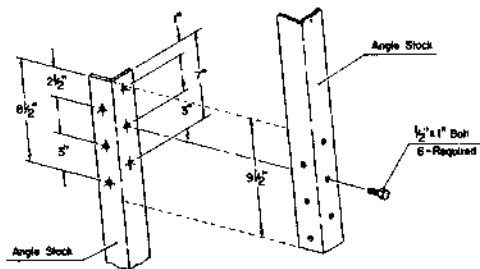
Top View - Reciprocating Chassis Assembly

Section View B-B

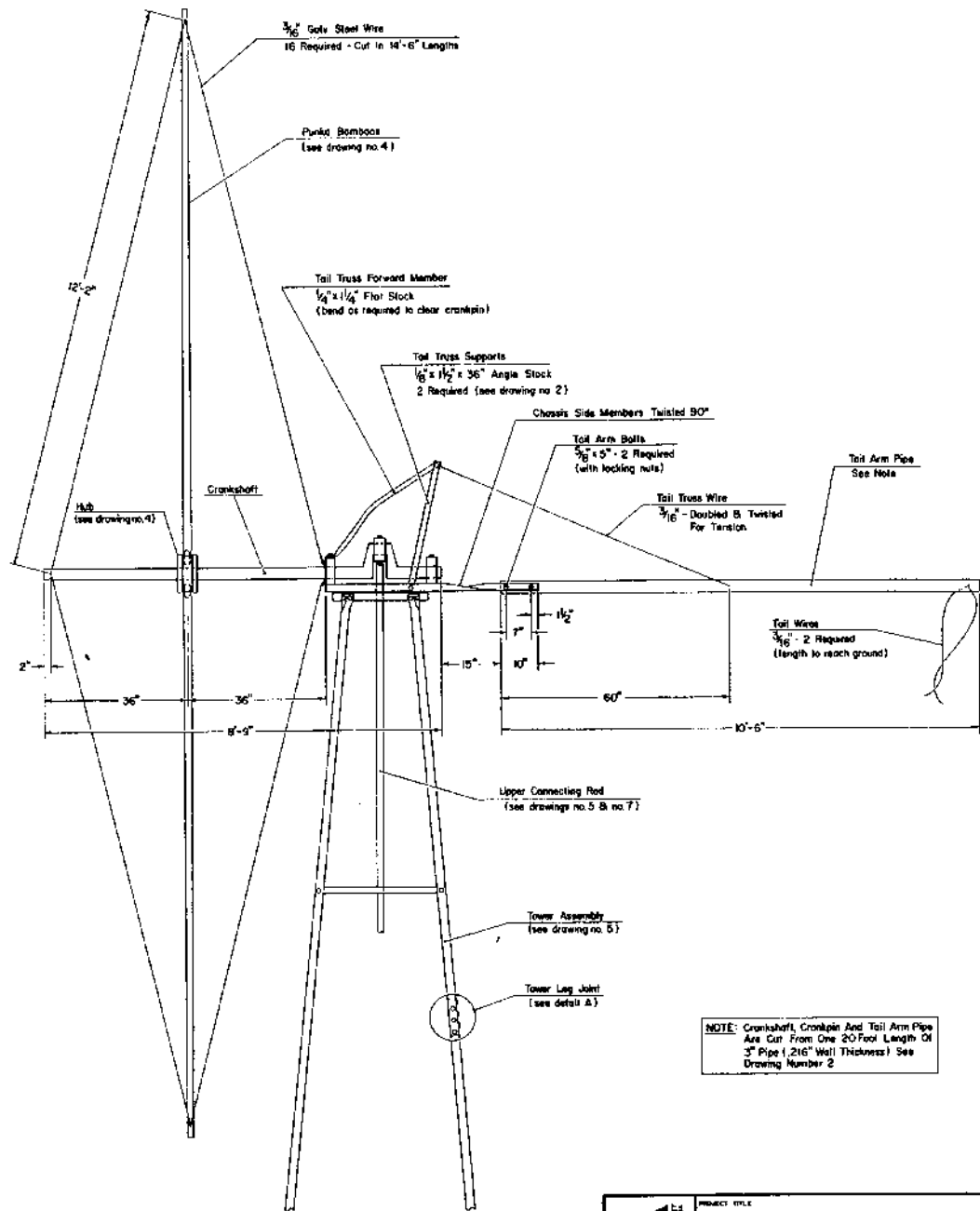
	PROJECT TITLE			24 Ft. Dia. Sailing Windmill
	DRAWING TITLE			Reciprocating Chassis Assembly With Crank, Lift Arrester & Main Bearing
	DESIGNED BY	DRAWN BY	APPROVED BY	SCALE
	W. Smith	W. Genet		
				DRAWING NUMBER
				2



Sail Cutting Pattern
8 Required Scale: 2 inches = 1 foot



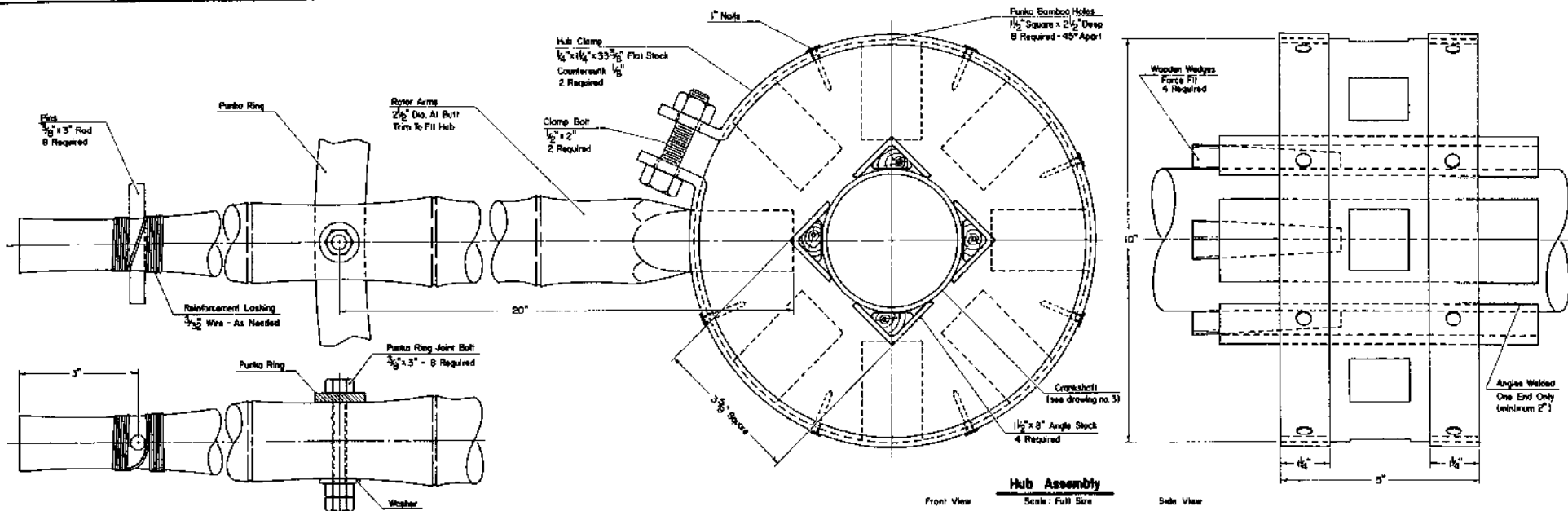
Detail A - Tower Leg Joint
As Required



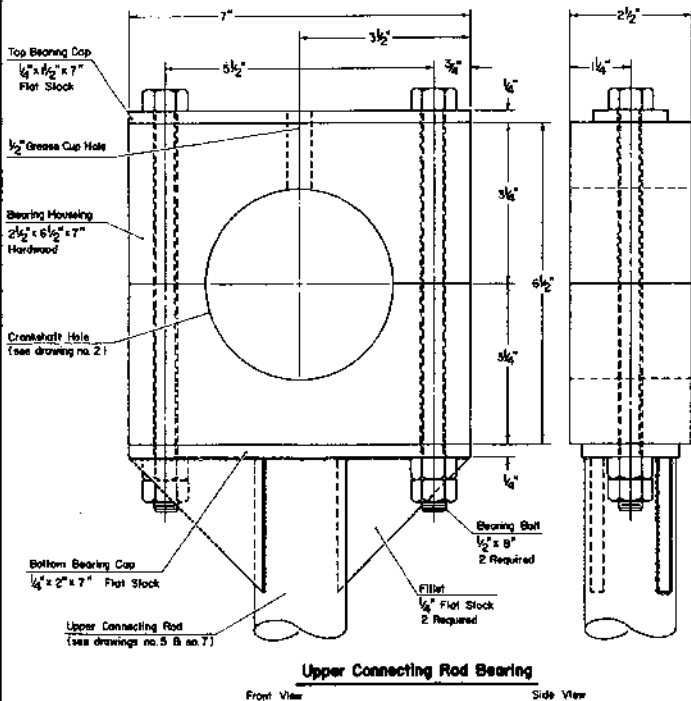
Side View - Punka And Tail Arm Assembly

NOTE: Crankshaft, Crankpin And Tail Arm Pipe Are Cut From One 20 Foot Length Of 3" Pipe (2 1/8" Wall Thickness) See Drawing Number 2

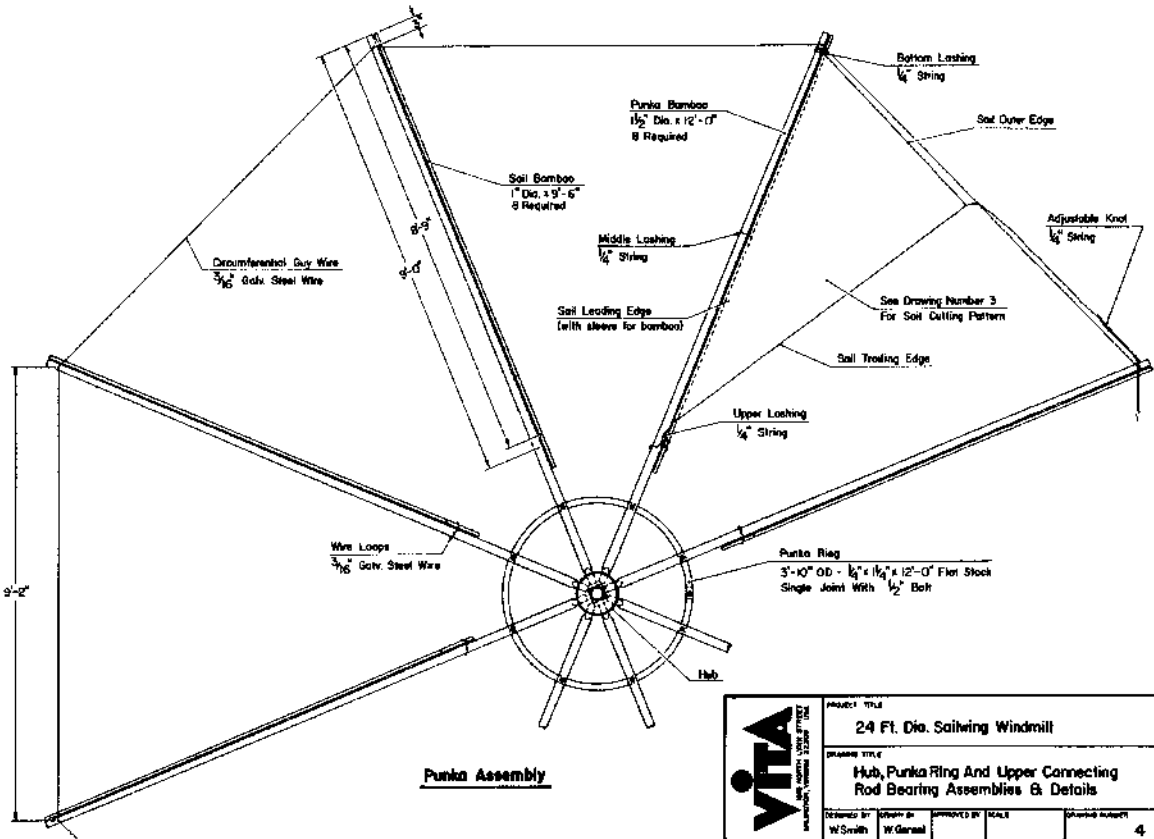
	PROJECT TITLE			
	24 Ft. Dia. Sailing Windmill			
	DRAWING TITLE			
	Punka And Tail Arm Assembly B Sail Cutting Pattern			
DESIGNED BY	DRAWN BY	APPROVED BY	SCALE	DRAWING NUMBER
W. Smith	W. Gonsel			3



Top View - Bamboo Tip And Punka Ring Joint
Scale: Full Size

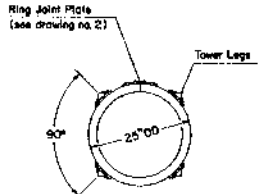


Upper Connecting Rod Bearing
Front View Side View

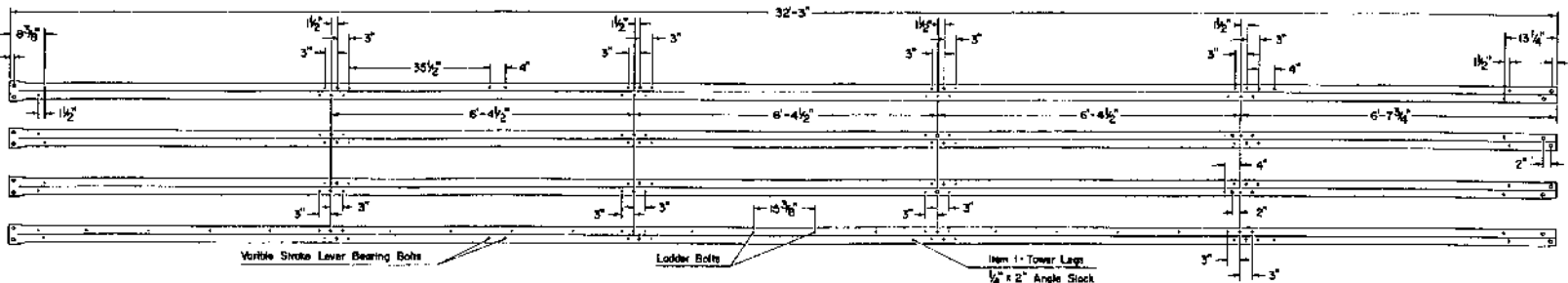


Punka Assembly

	PROJECT TITLE		24 Ft. Dia. Sailing Windmill	
	DRAWING TITLE		Hub, Punka Ring And Upper Connecting Rod Bearing Assemblies & Details	
	DESIGNED BY	DRAWN BY	APPROVED BY	SCALE
	W. Smith	W. General		
DRAWING NUMBER		4		

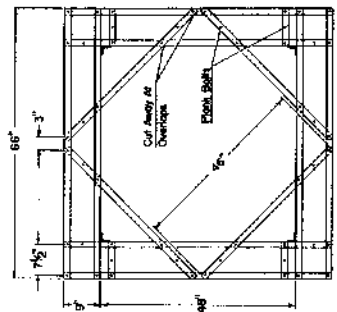


Detail A - Tower Head Ring

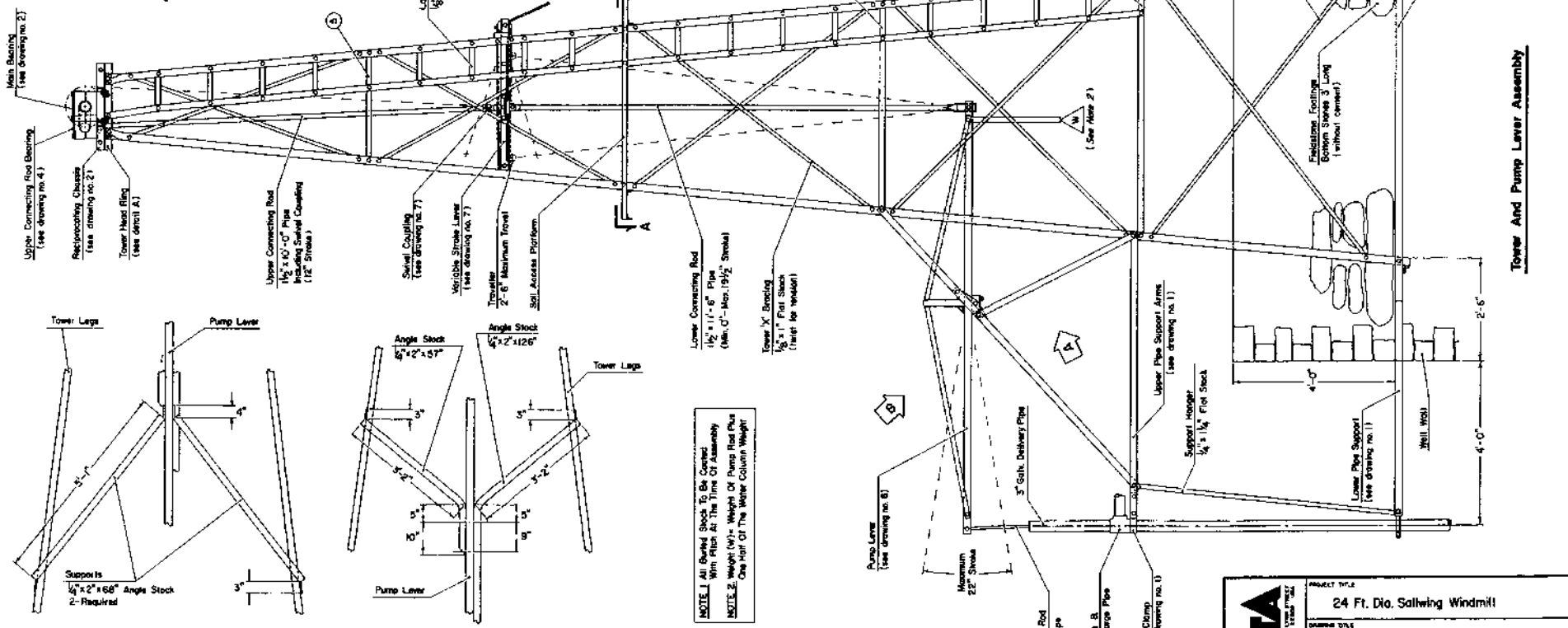
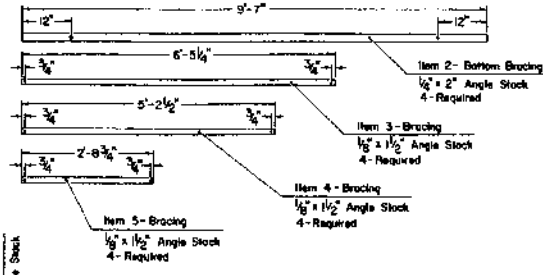


Tower Legs & Bracing Bolt Hole Patterns

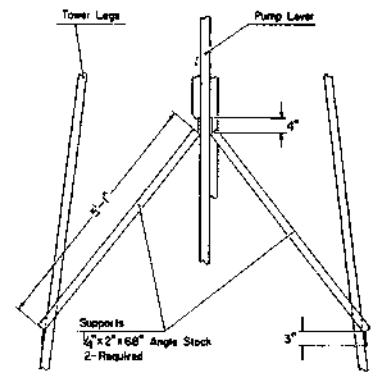
Bolt Hole Pattern Key		
Symbol	Hole Size	From Angle Edge
-	$\frac{3}{8}$ "	1"
+	$\frac{3}{8}$ "	$\frac{5}{8}$ "
·	$\frac{3}{8}$ "	$\frac{5}{8}$ "



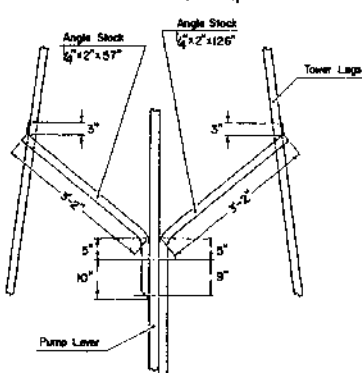
Section View A-A Platform
Constructed Of $\frac{1}{2}$ " x $\frac{1}{2}$ " Angle Stock And $\frac{3}{8}$ " Bolt With 2-66" & 2-48" Rod Patterns



Tower And Pump Lever Assembly



View A - Lever Lower Supports



View B - Lever Upper Supports

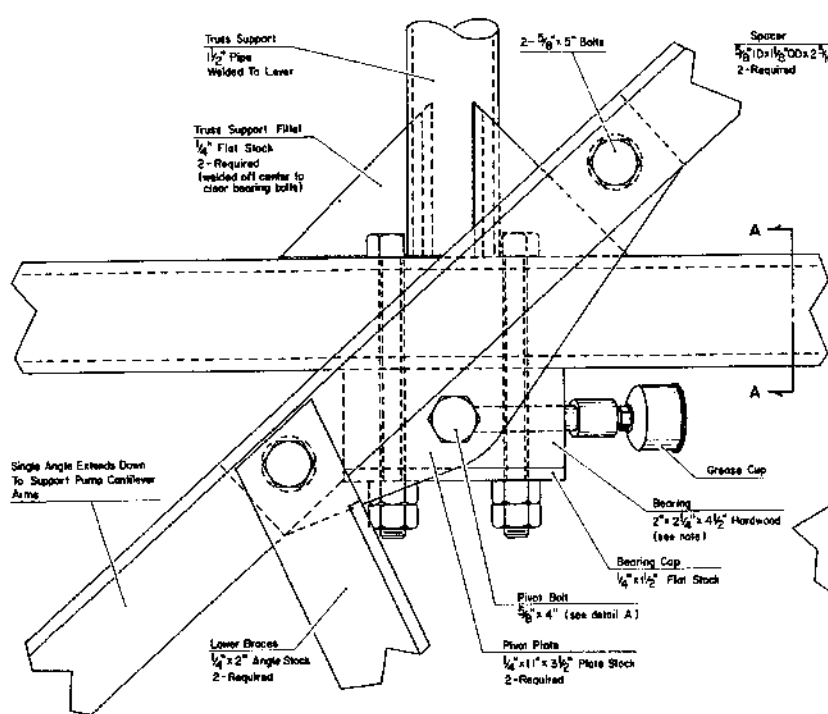
NOTE 1 All Bolted Stock To Be Connected With Pins At The Time Of Assembly
NOTE 2 Weight (W) = Weight Of Pump Rod Plus One-Fifth Of The Water Column Weight

vita
VITA ENGINEERING, INC.
1000 W. 10TH AVENUE, SUITE 100
DENVER, CO 80202

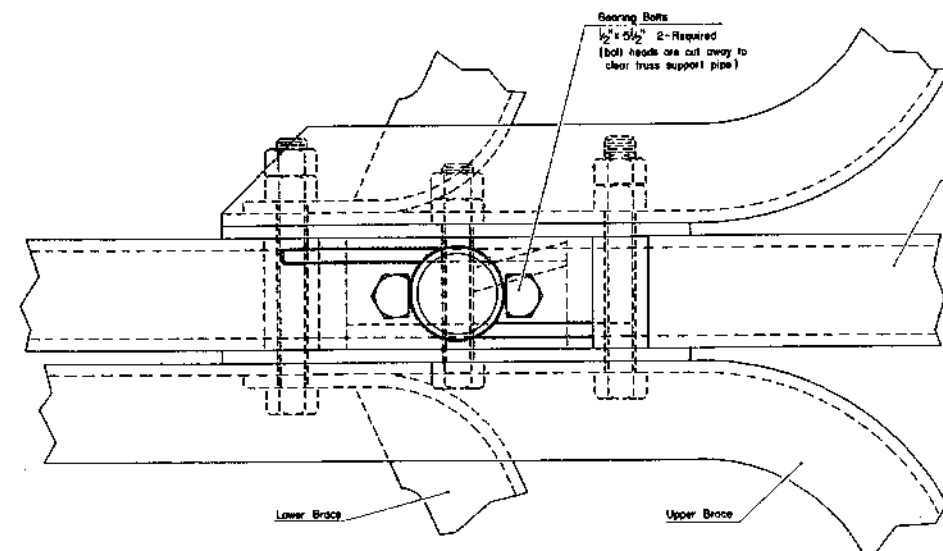
PROJECT TITLE
24 Ft. Dia. Sailing Windmill

DRAWING TITLE
Tower And Pump Lever Assembly With Bolt Hole Patterns

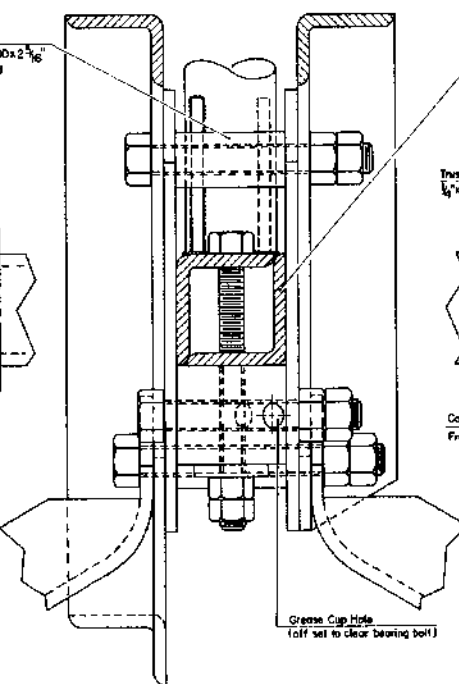
DESIGNED BY: GROUP BY: APPROVED BY: SCALE: DRAWING NUMBER:
W. Smith W. Gensel 1 inch = 1 foot 5



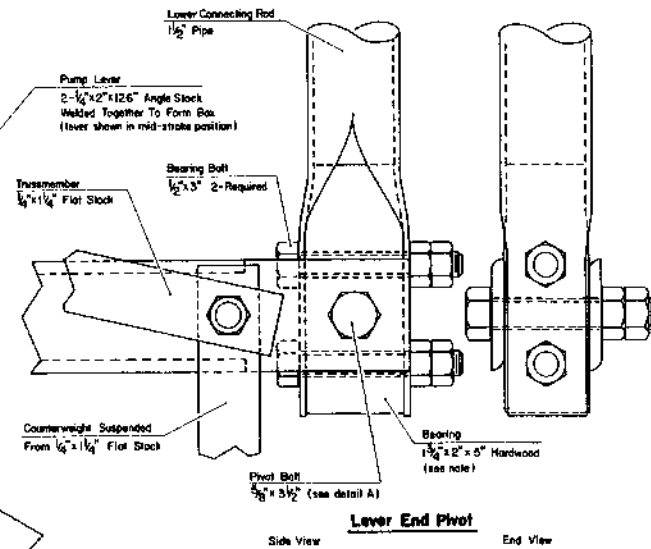
Side View - Lever Pivot Point



Top View - Lever Pivot Point



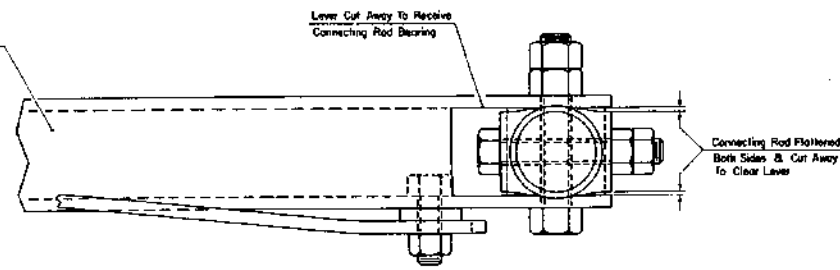
Section View A-A



Lever End Pivot



Detail A - Pivot Bolts

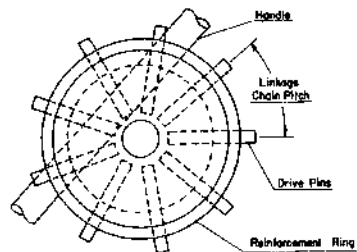


Top View - Lever End Pivot

Optional Grease Cup Omitted

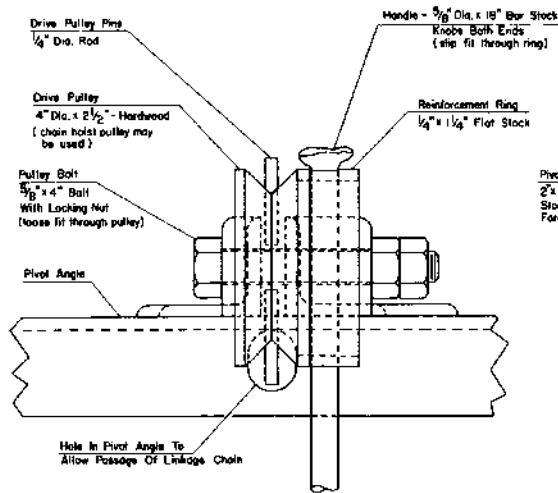
NOTE: Replace Bearings Whenever Play Exceeds 1/8"

	PROJECT TITLE			
	24 Ft. Dia. Sailing Windmill			
	DRAWING TITLE			
	Pump Lever Pivot Point Assembly With Lower Connecting Rod Pivot Point Assembly			
DESIGNED BY	DRAWN BY	APPROVED BY	SCALE	DRAWING NUMBER
W.Smith	W.Gersel			6



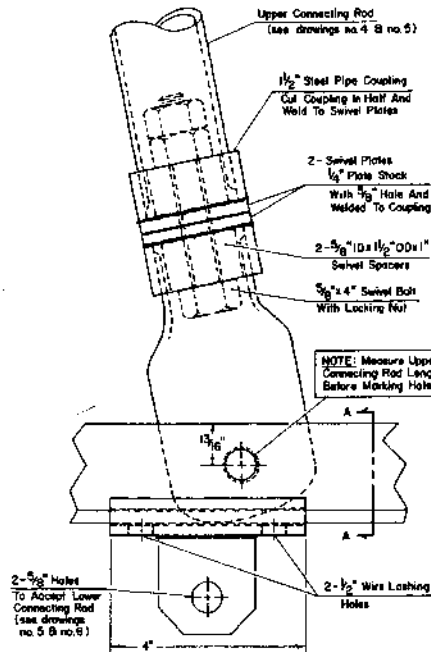
Detail A - Linkage Drive Pulley

Side View Scale: Full Size



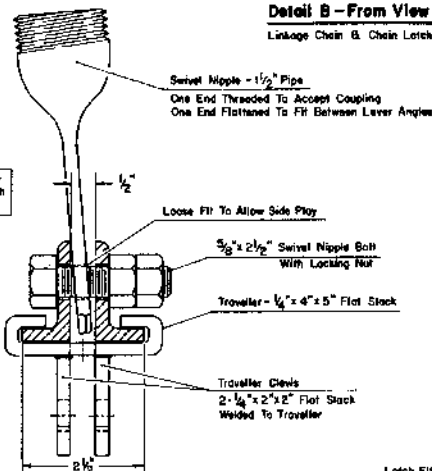
Detail B - From View 'A' - Drive Pulley

Linkage Chain & Chain Latch Omitted Scale: Full Size



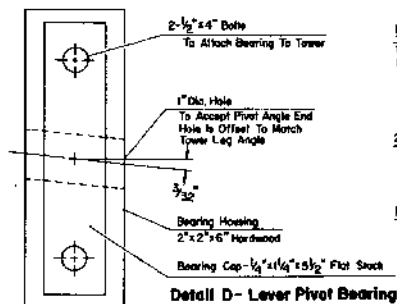
Detail C - Traveller and Swivel

Side View Scale: Full Size



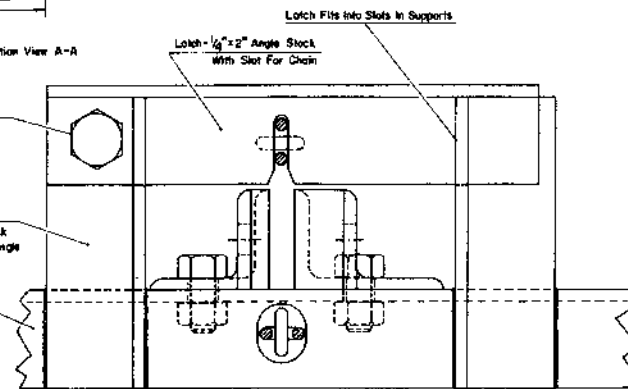
Detail C - Traveller and Swivel

Section View A-A



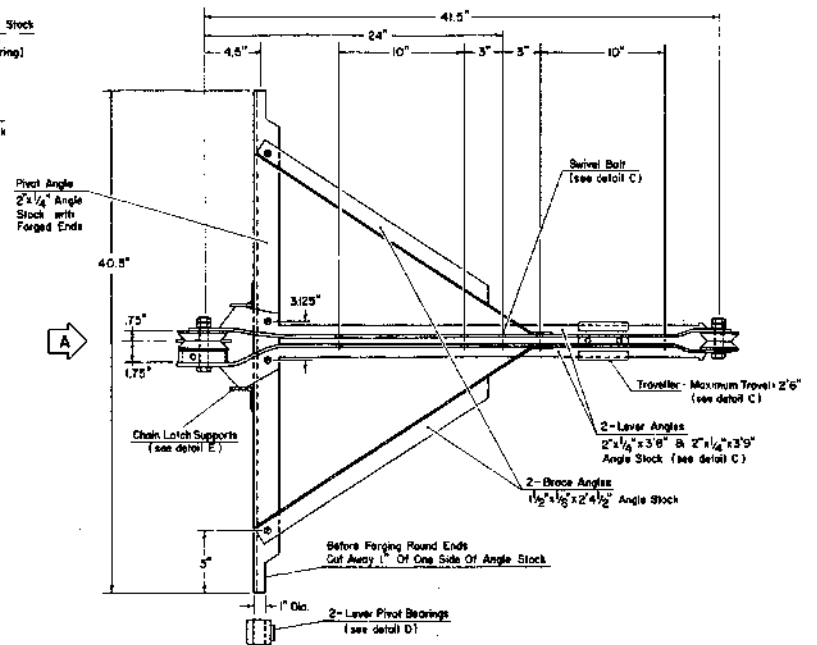
Detail D - Lever Pivot Bearing

2 Required Scale: Full Size



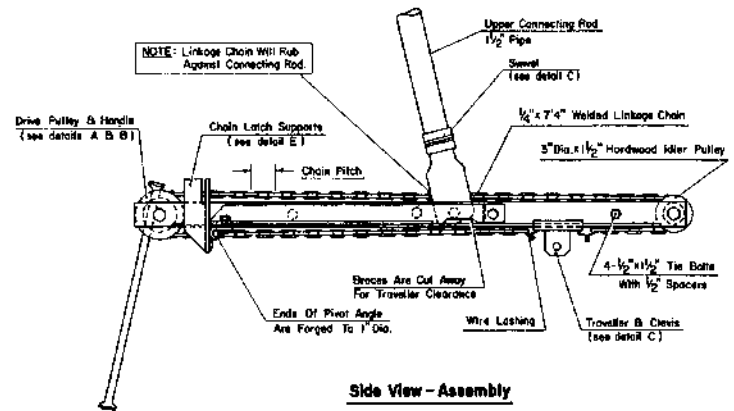
Detail E - From View 'A' - Linkage Chain Latch

Drive Pulley Omitted



Top View - Assembly

Linkage Chain & Chain Latch Omitted Scale: 5 inches = 1 foot



Side View - Assembly

Chain Latch Omitted Scale: 5 inches = 1 foot



PROJECT FILE
24 Ft. Dia. Sailing Windmill

DRAWING FILE
Variable Stroke Lever Assemblies & Details

DESIGNED BY W. Smith	DRAWN BY W. Gensel	APPROVED BY	SCALE	DRAWING NUMBER 7
-------------------------	-----------------------	-------------	-------	---------------------